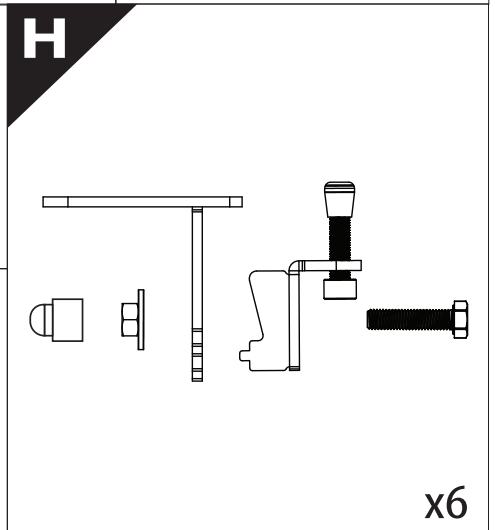
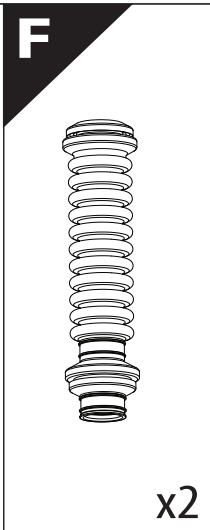
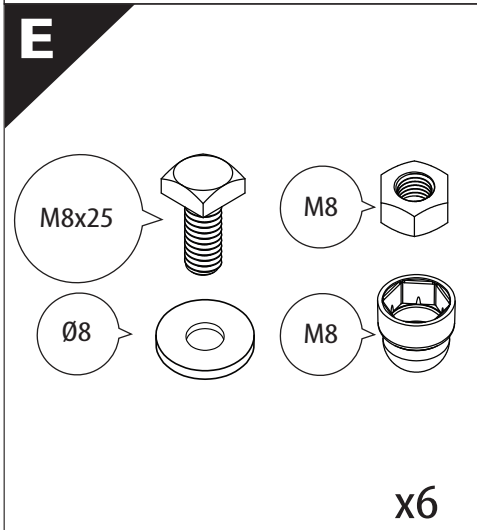
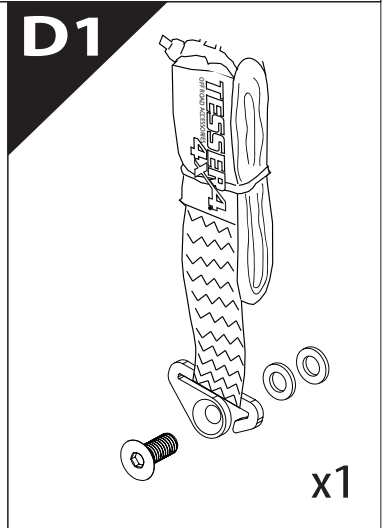
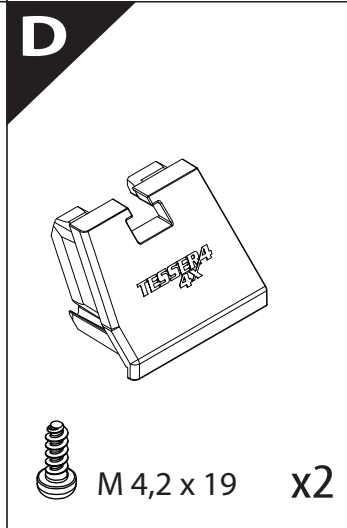
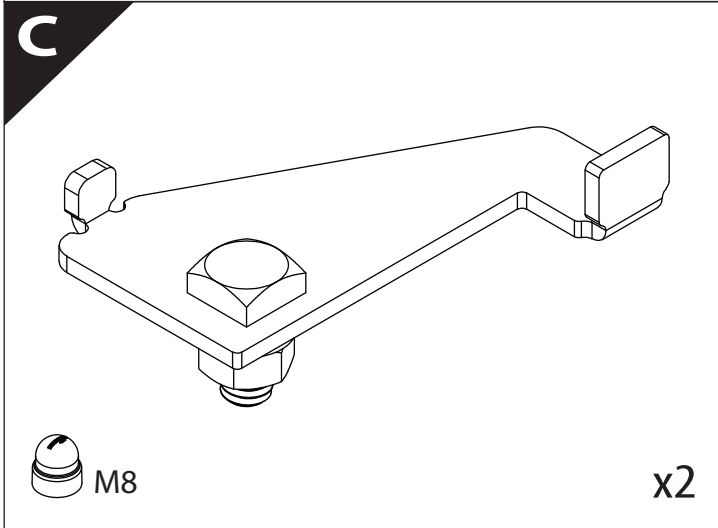
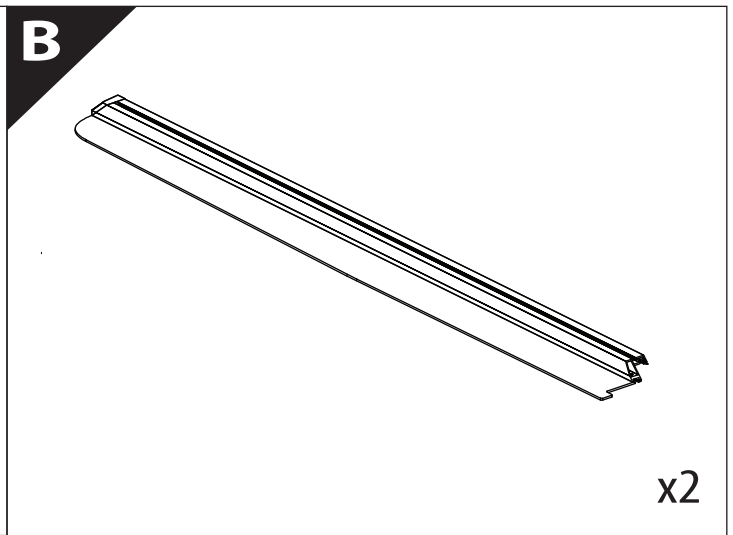
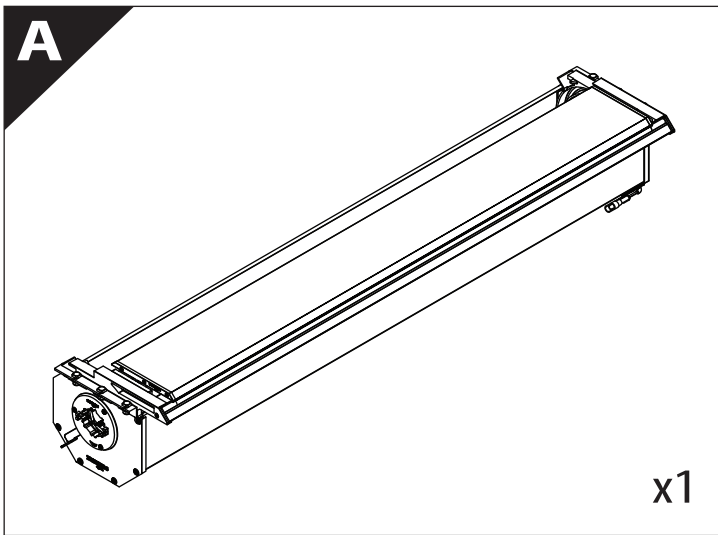
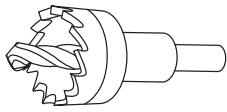




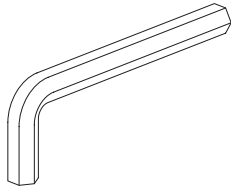
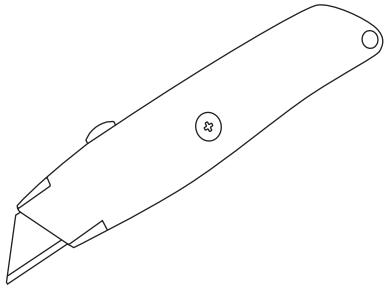
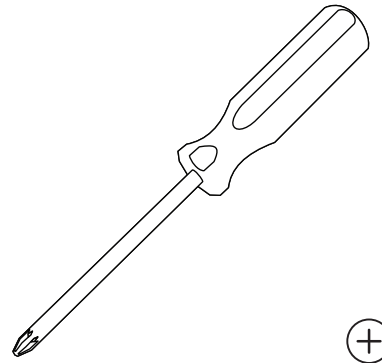
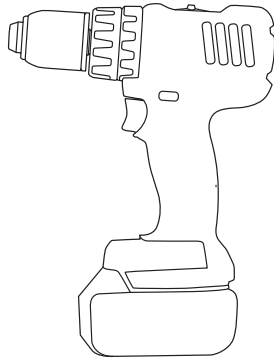
# Installation Manual

<b>PART NUMBER(S)</b>	<b>Model Year</b>
<b>TESS 1531 SE</b>	<b>Toyota Tundra 2014 -&gt;2021 &amp; 2022+ ( no c - channels )</b>
<b>TESS 15311 SE</b>	
<b>Cab(s)</b>	<b>Installation Time / Weight</b>
<b>5.5 Feet &amp; 6.5 Feet</b>	<b>40-60 minutes / 53-57 kg</b>



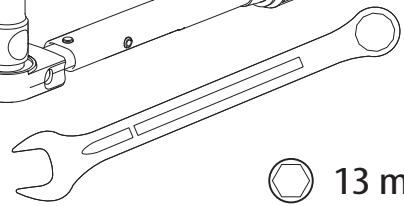
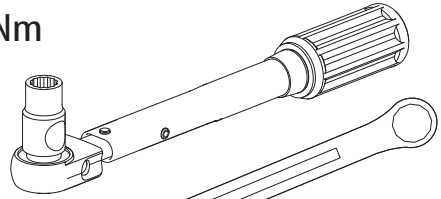


Ø 25 mm



4 mm

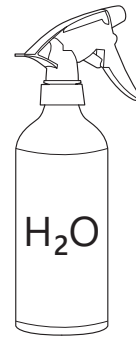
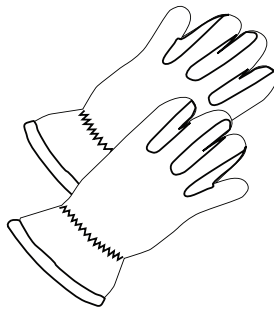
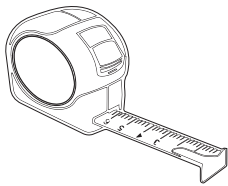
1 - 25 Nm



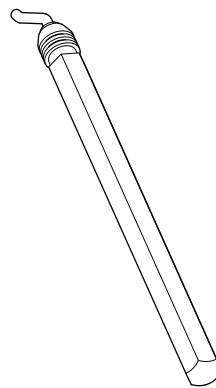
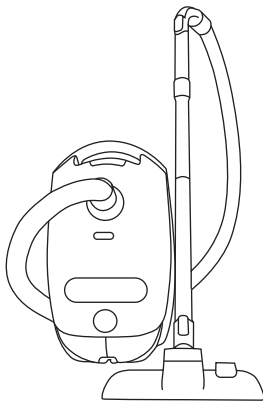
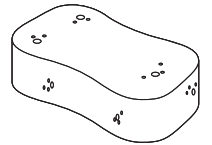
13 mm



ACETONE



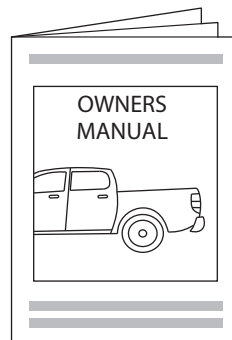
H<sub>2</sub>O



ANTI-RUST



INSTALLATION  
MANUAL

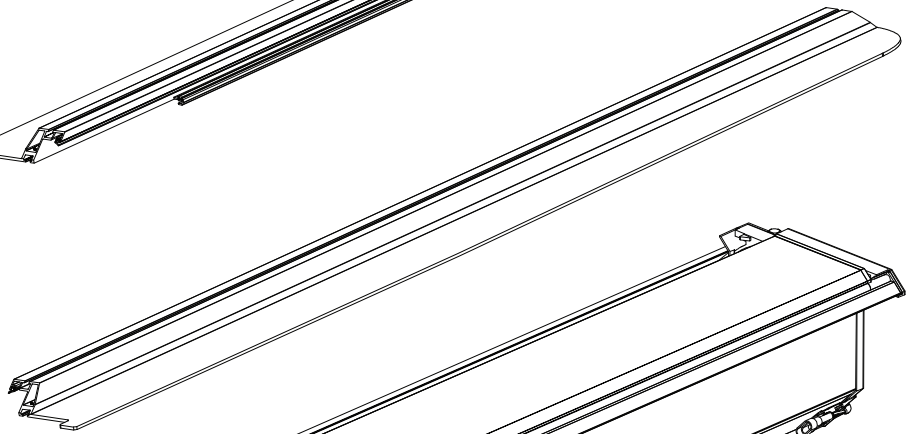


OWNERS  
MANUAL

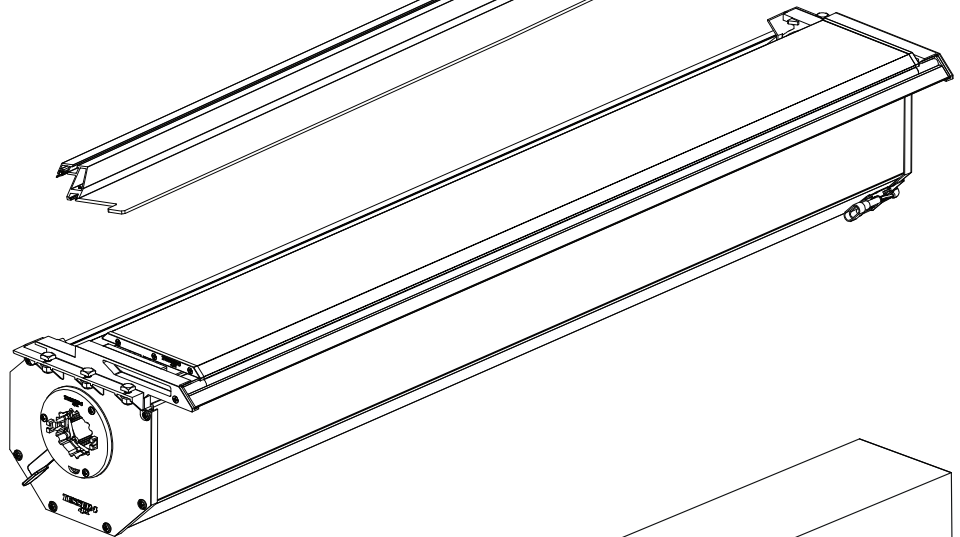
x1



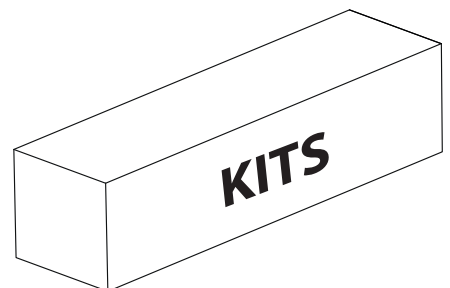
**B**



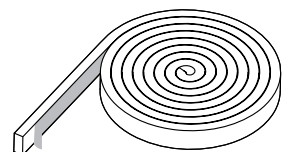
**A**

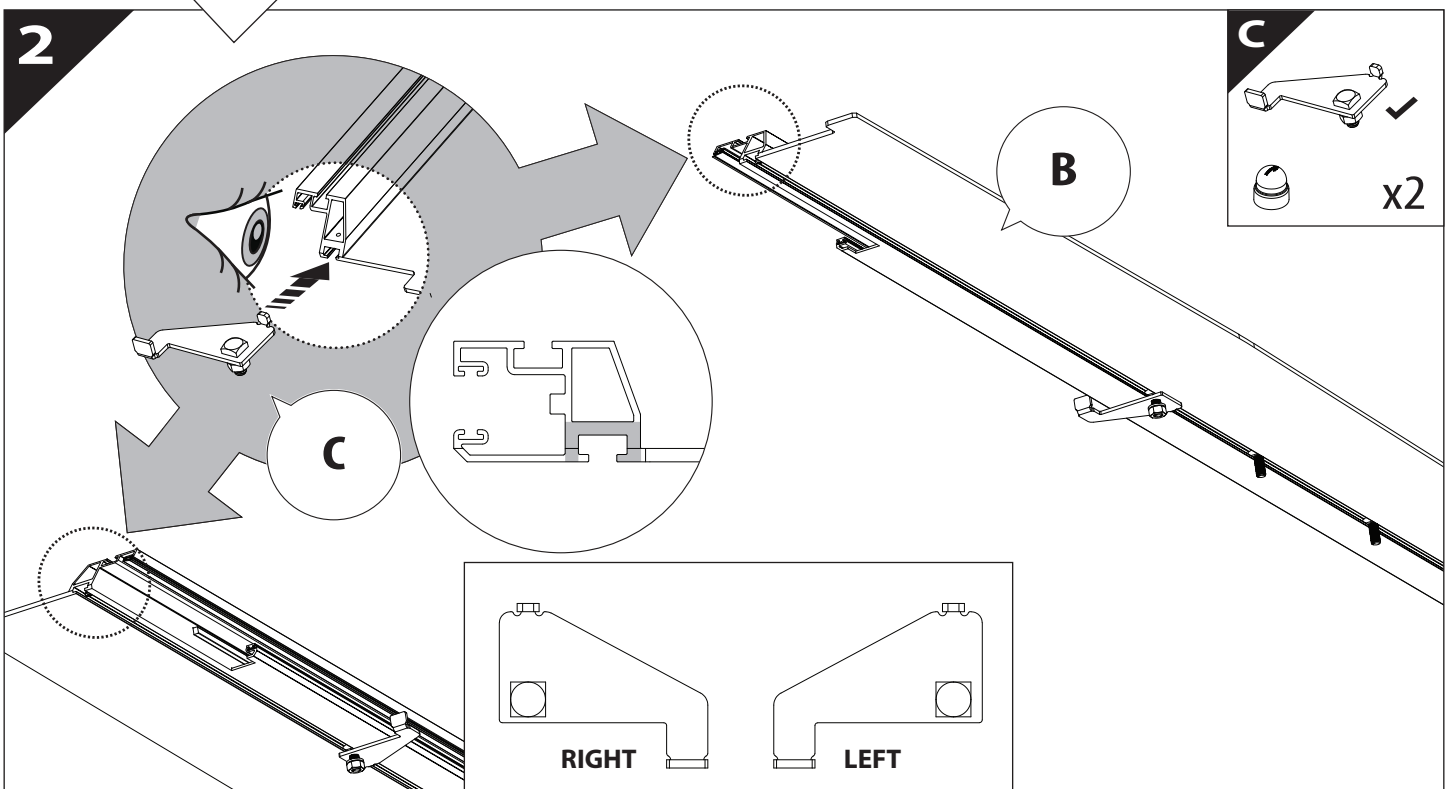
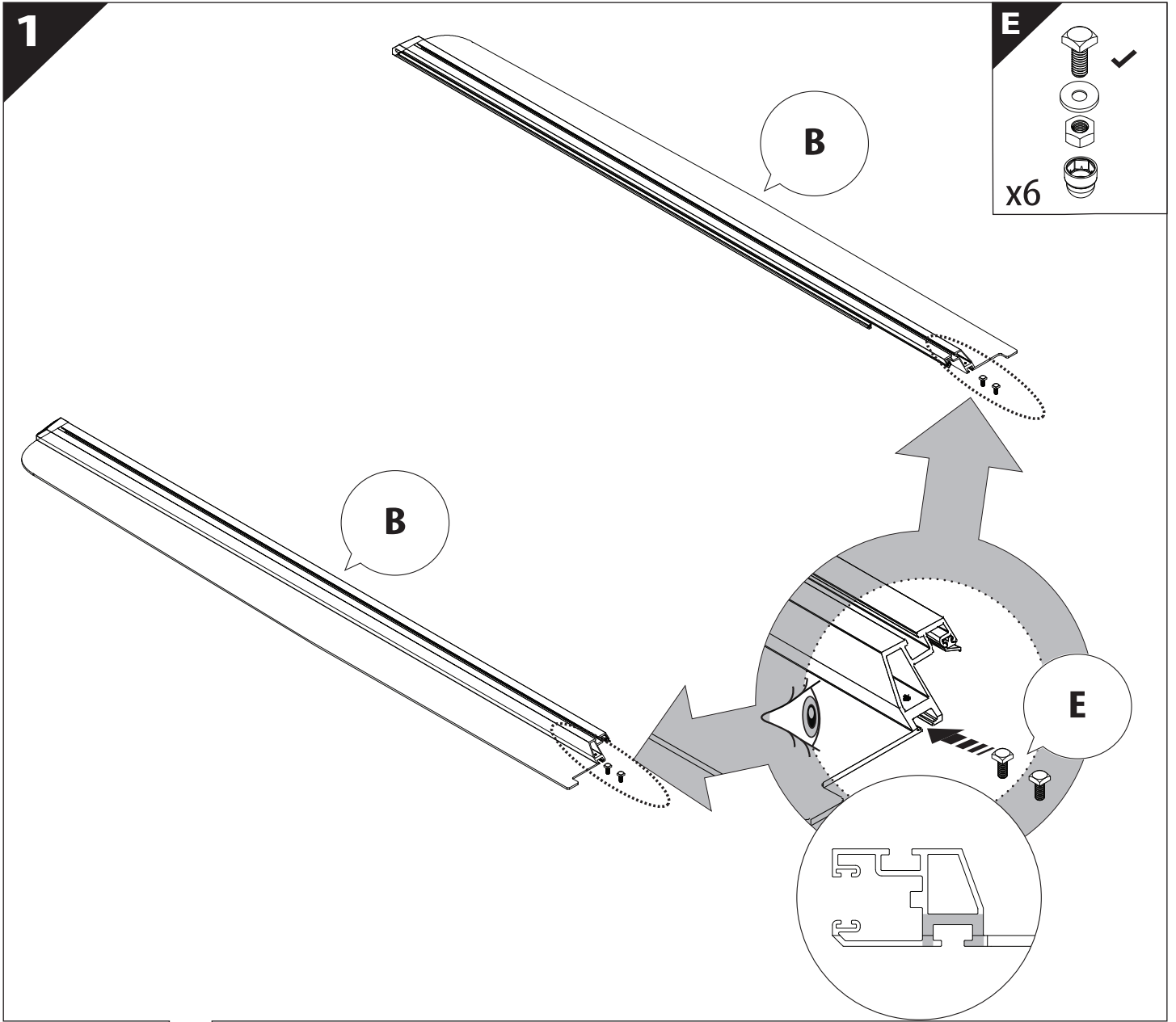


**KITS**

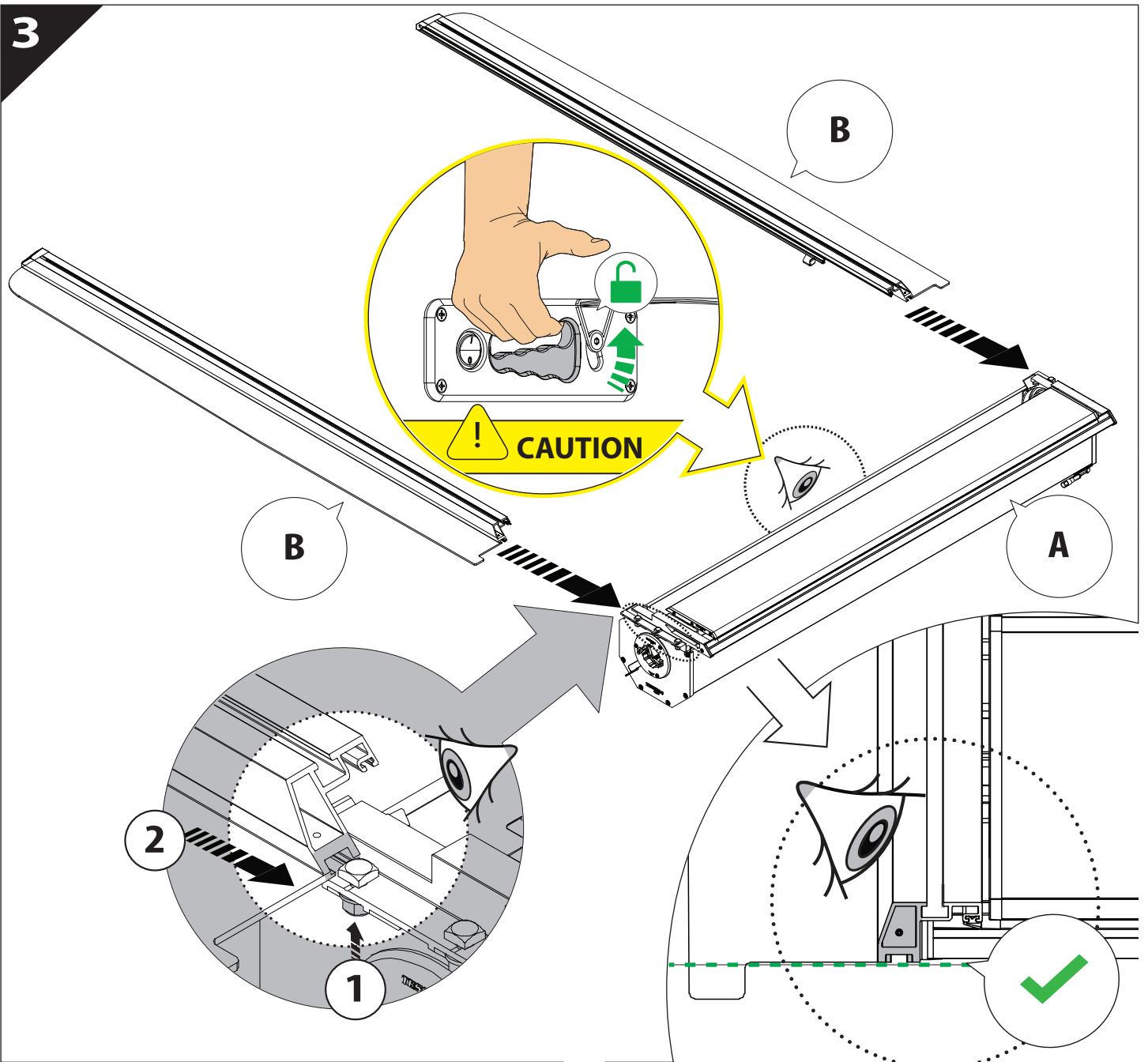


**G**

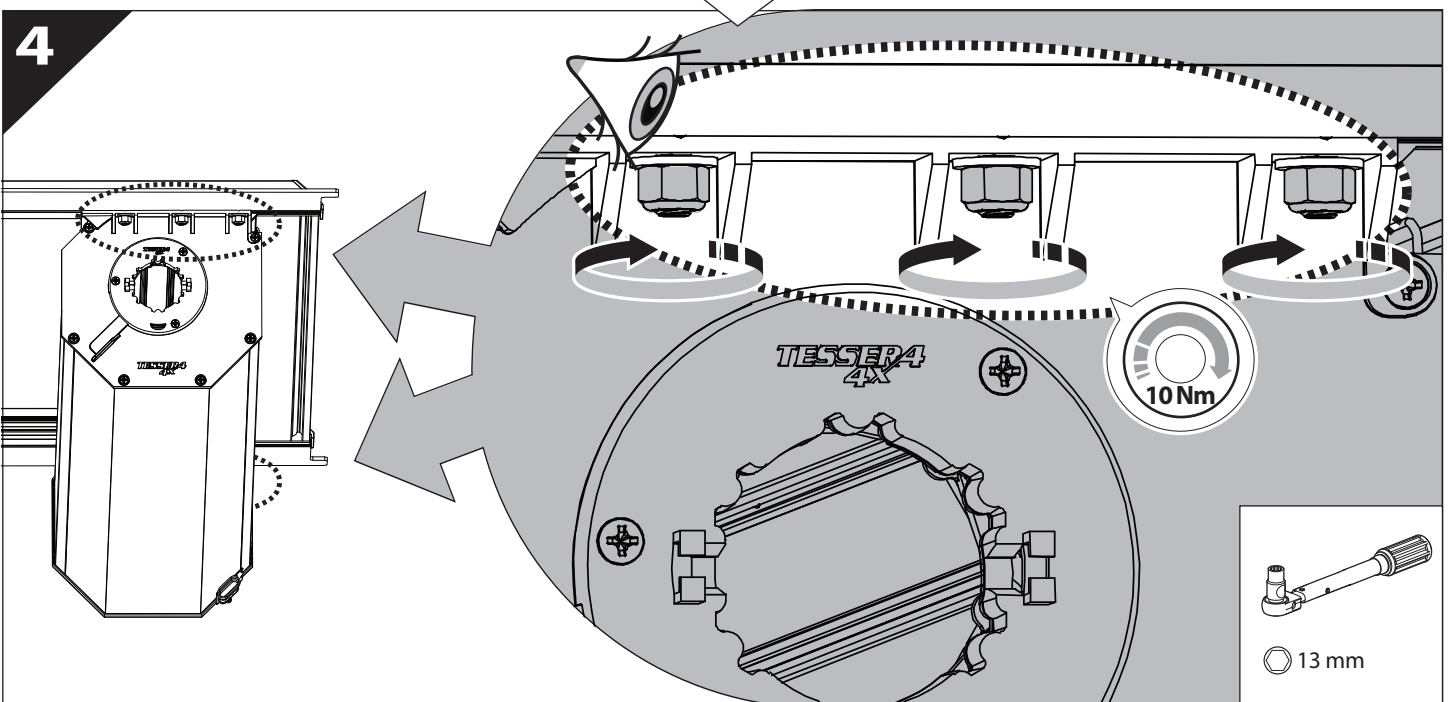


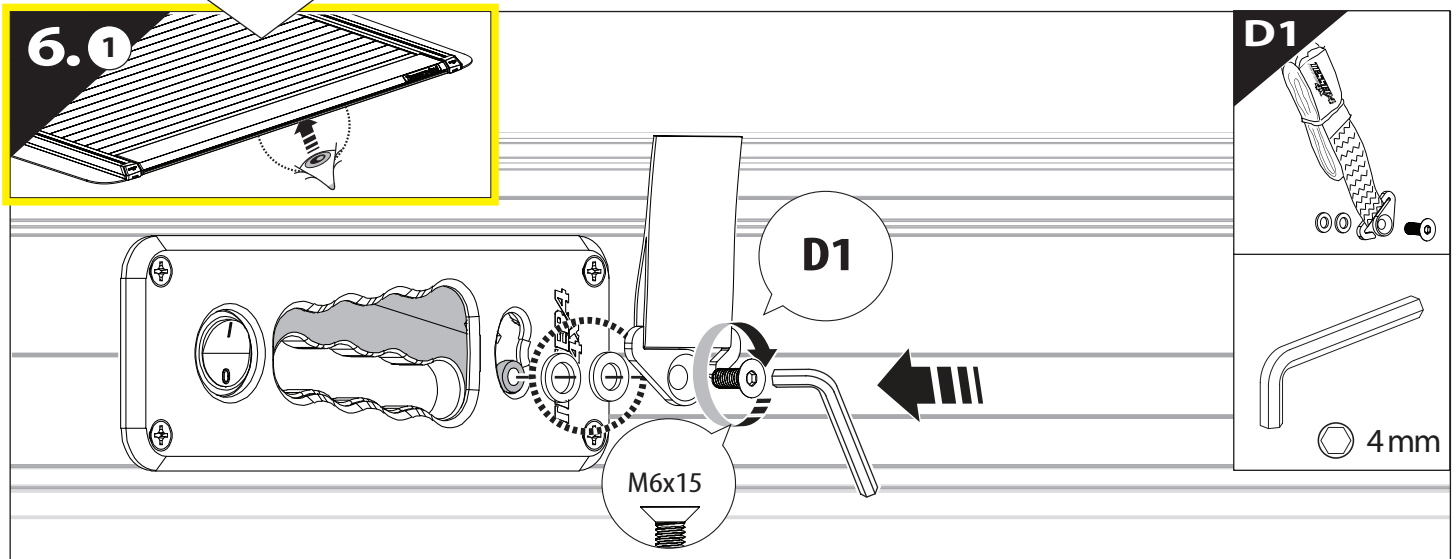
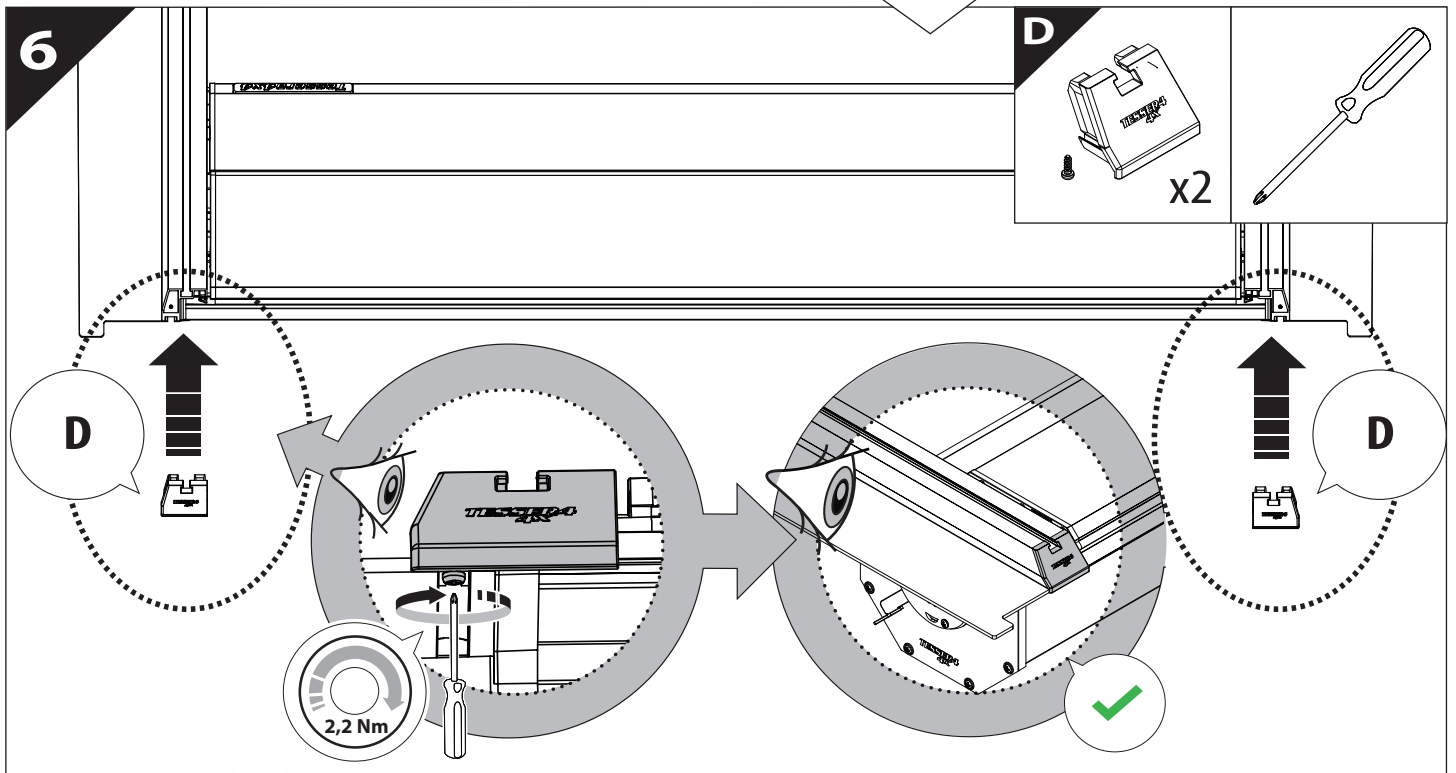
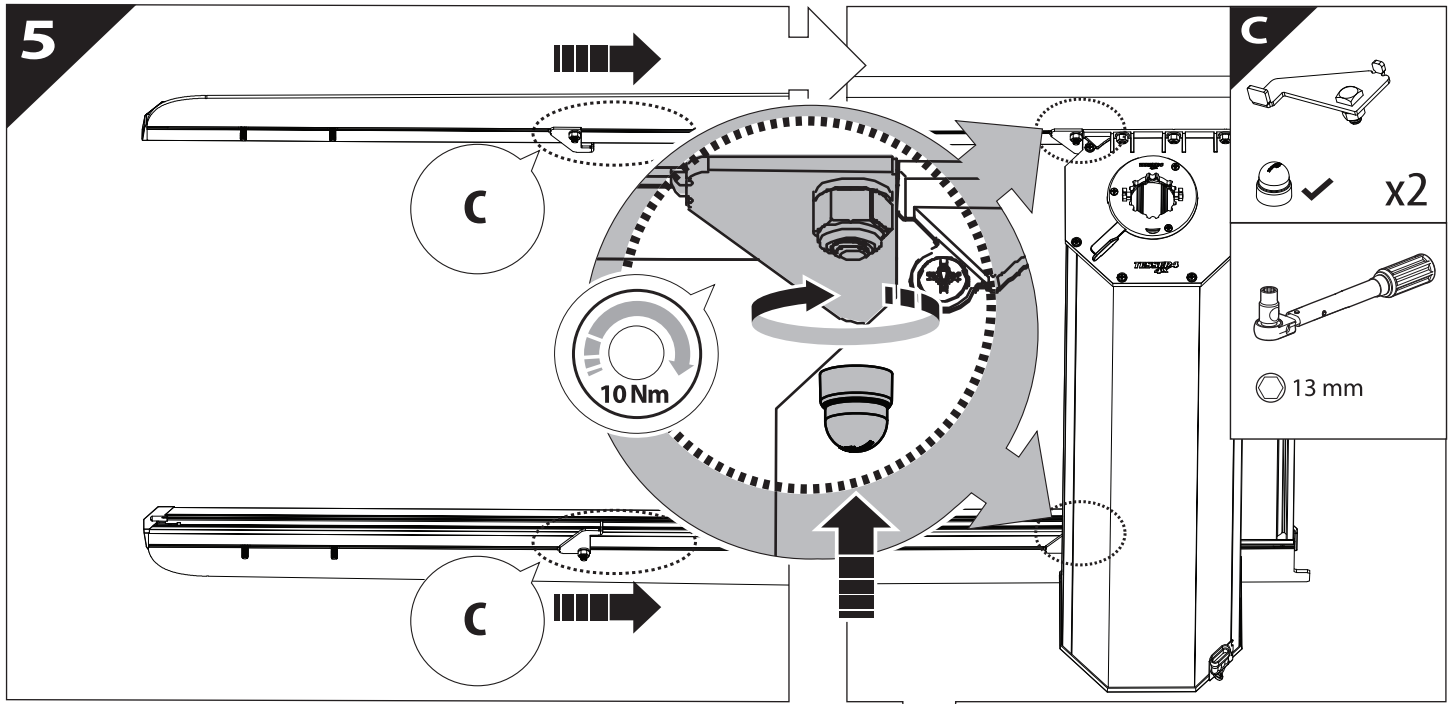


3

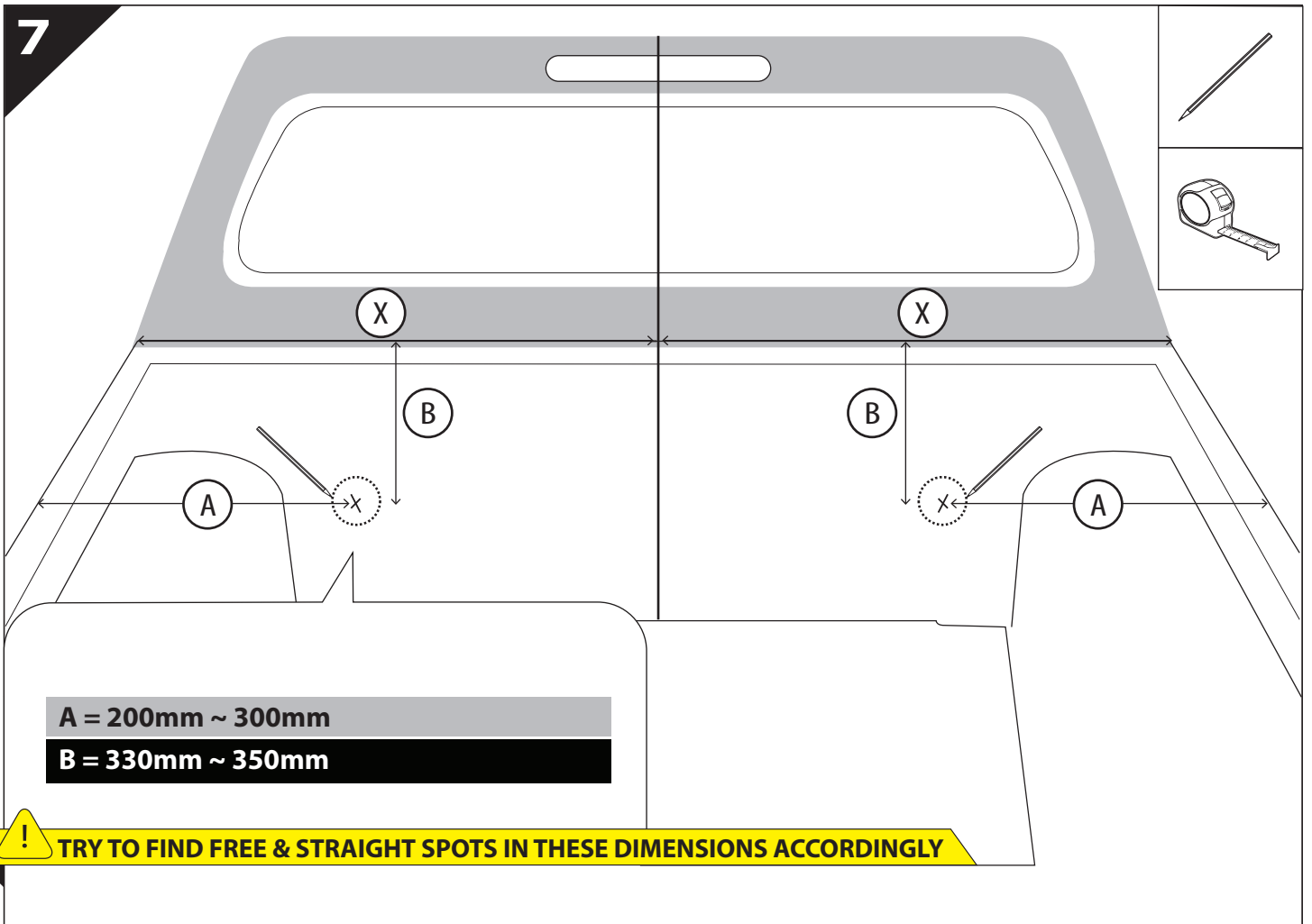


4

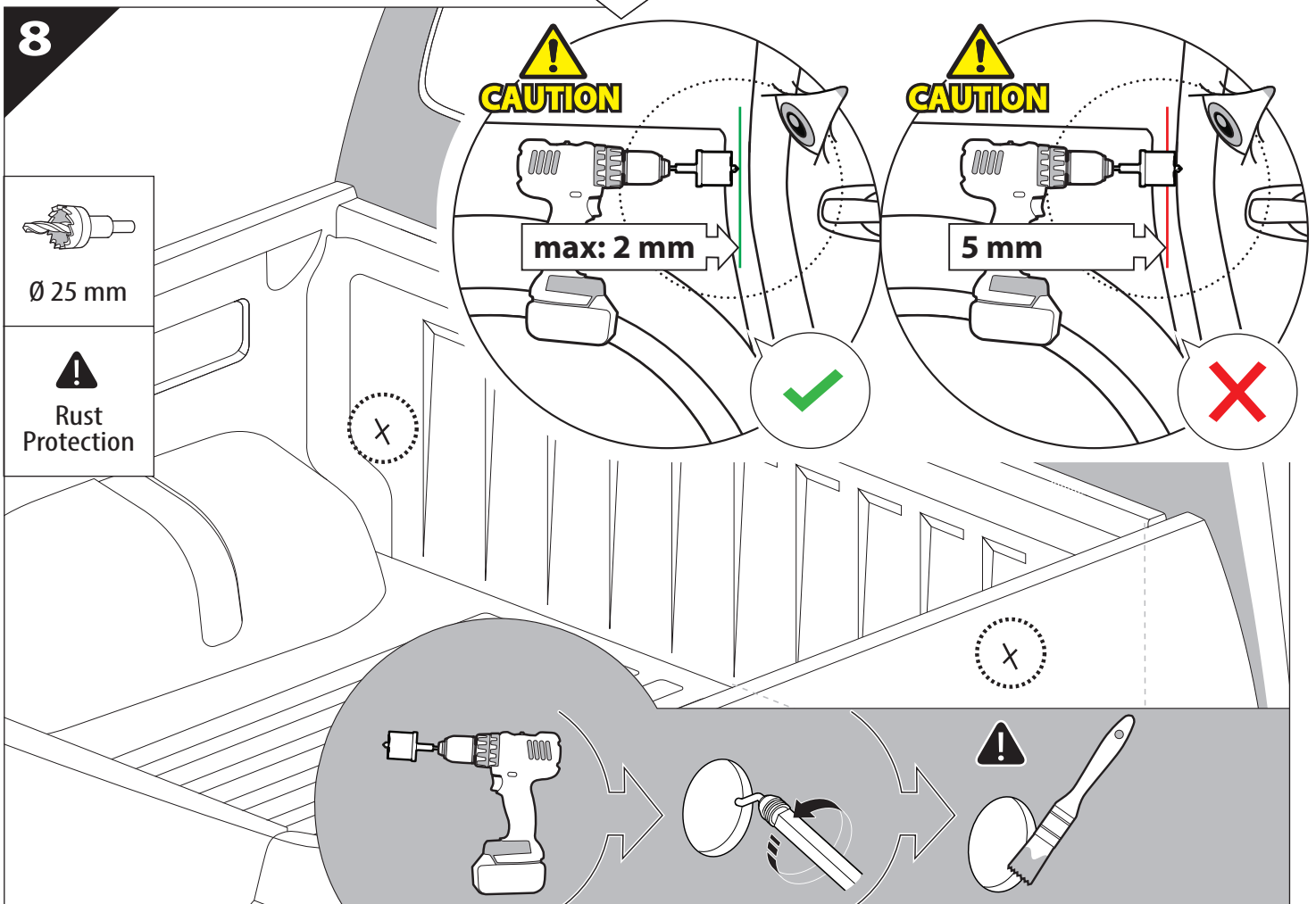


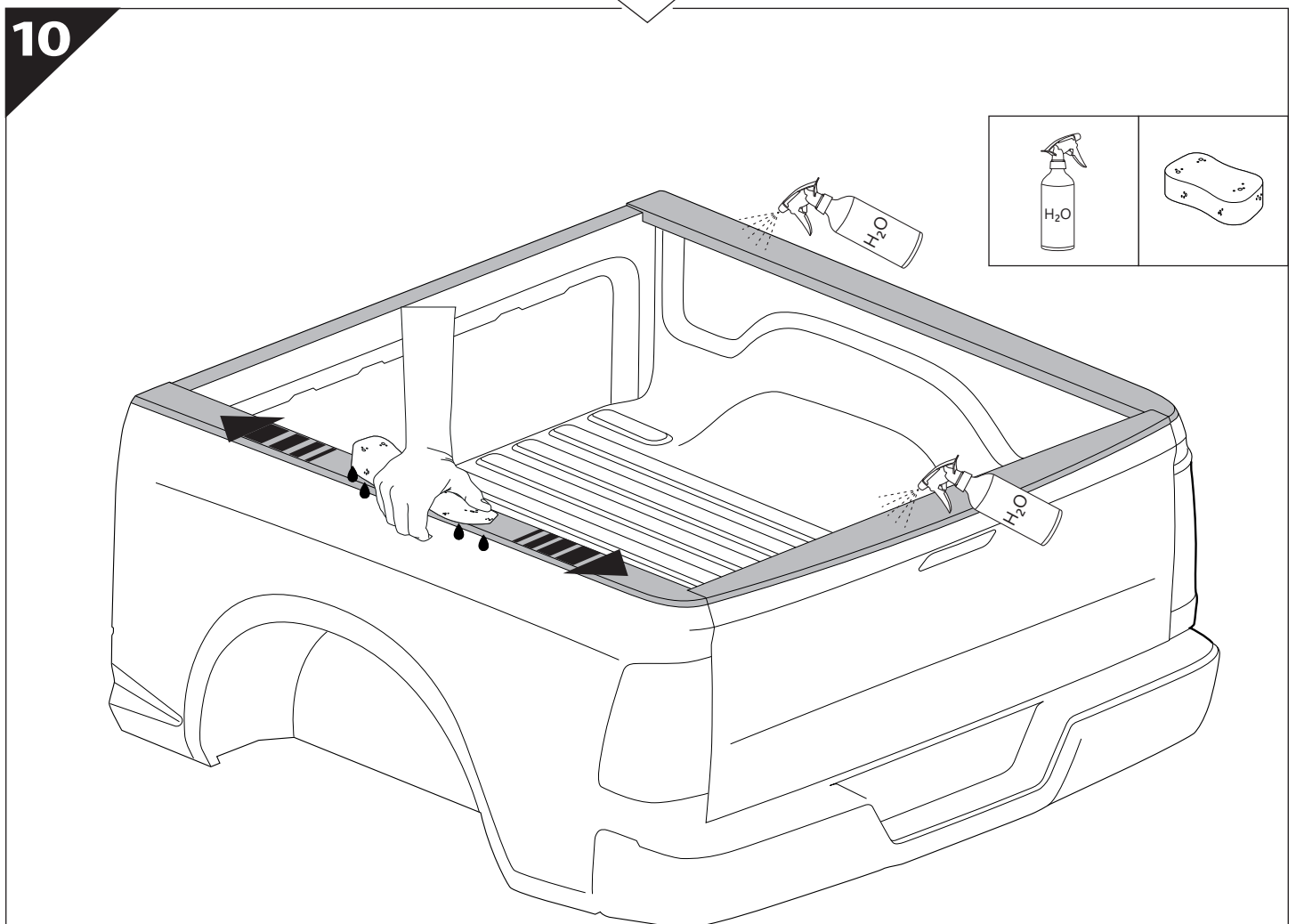
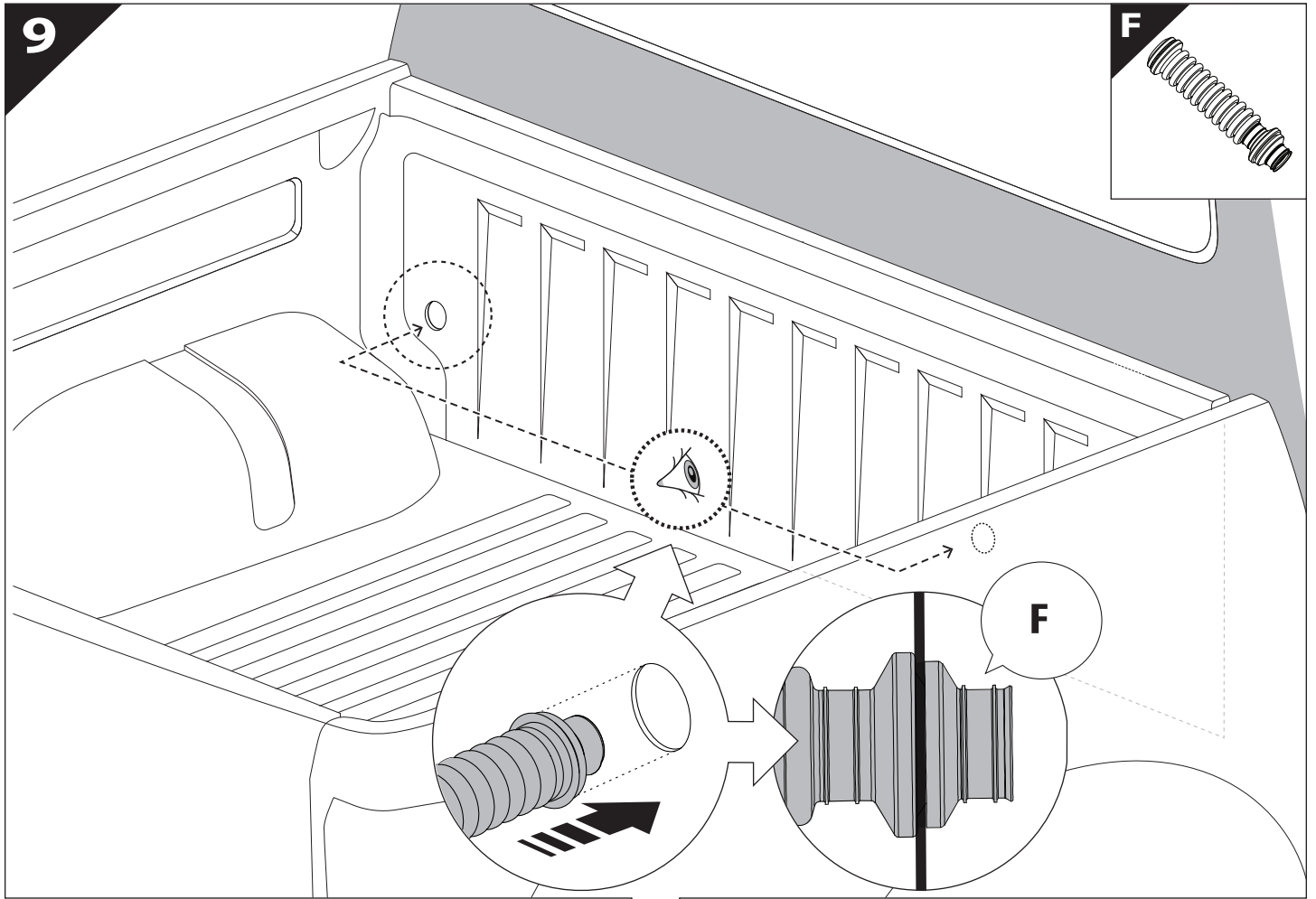


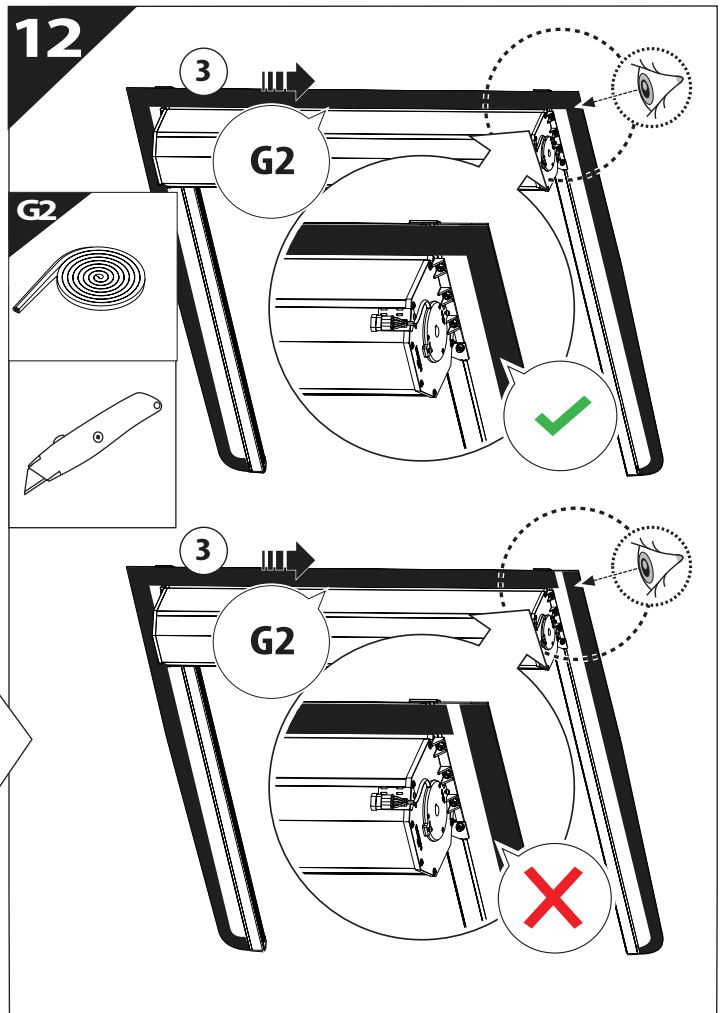
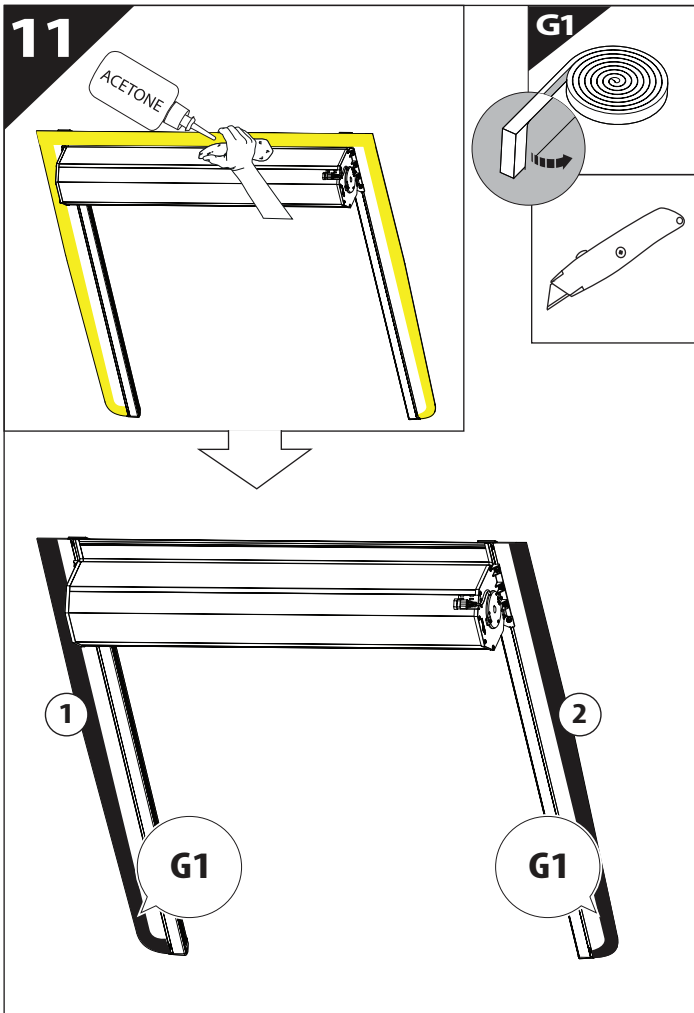
7

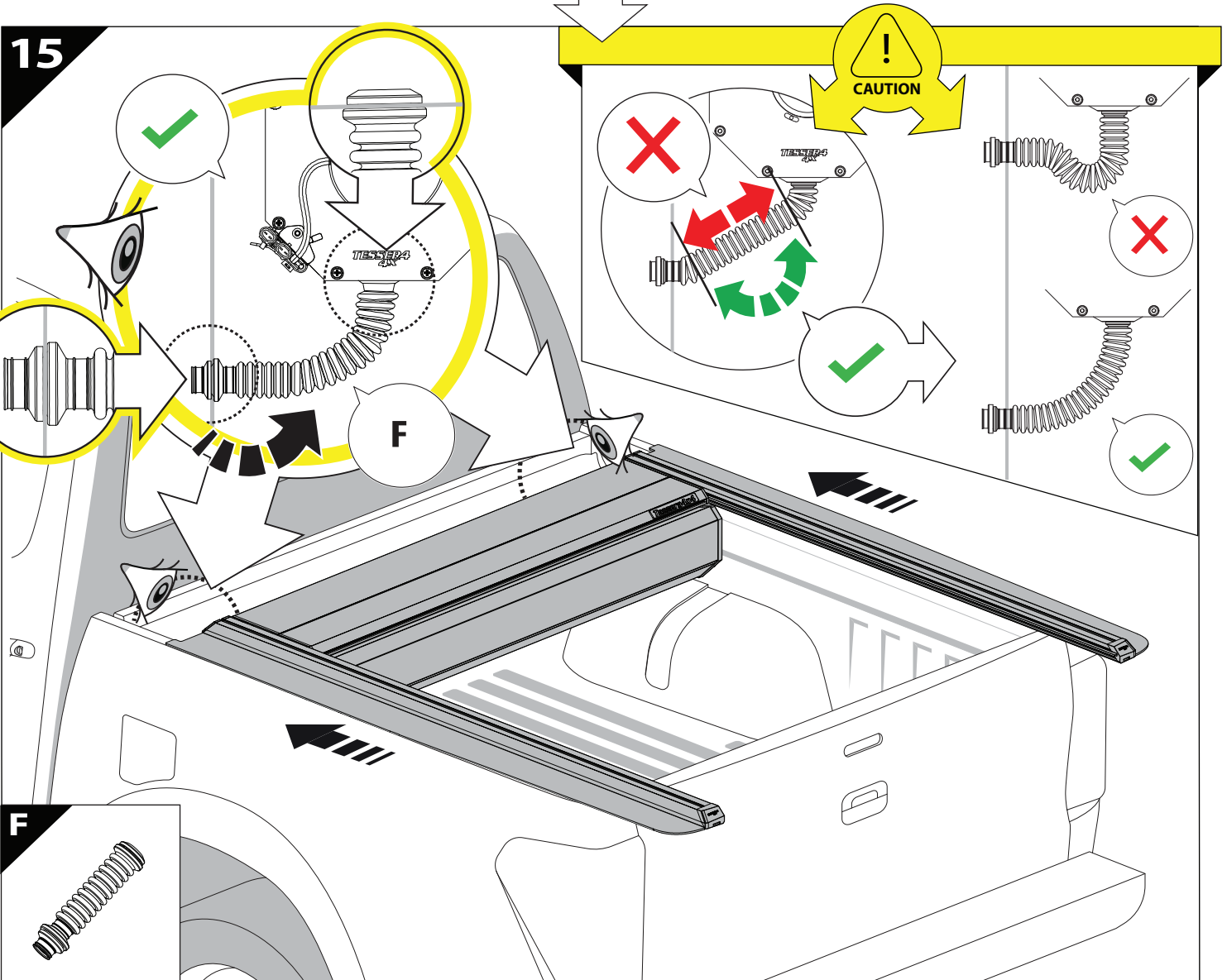
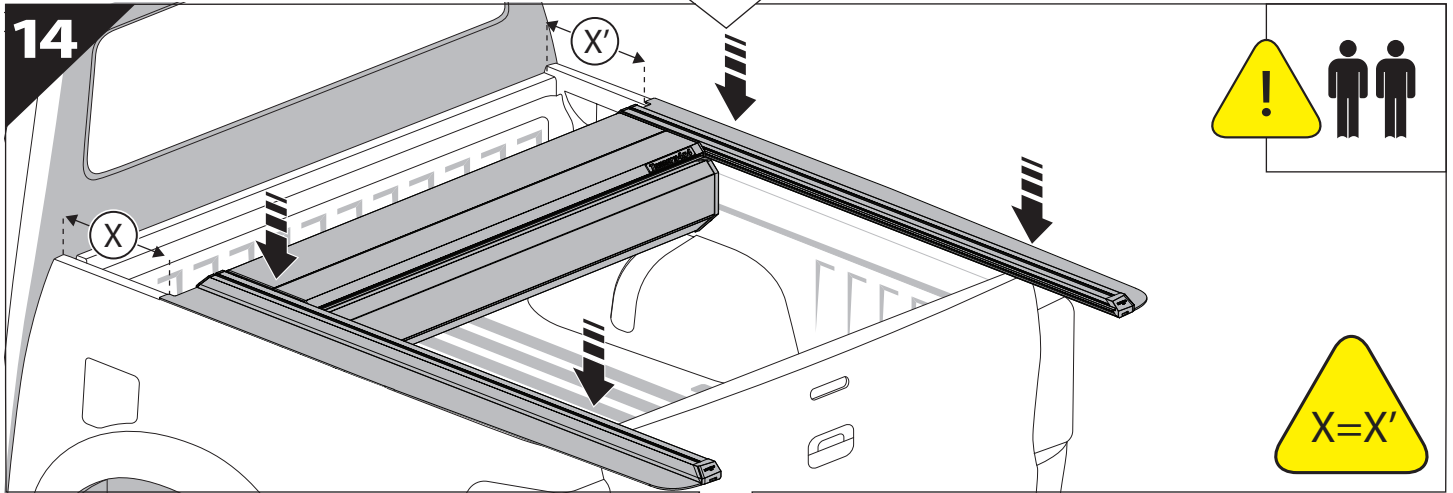
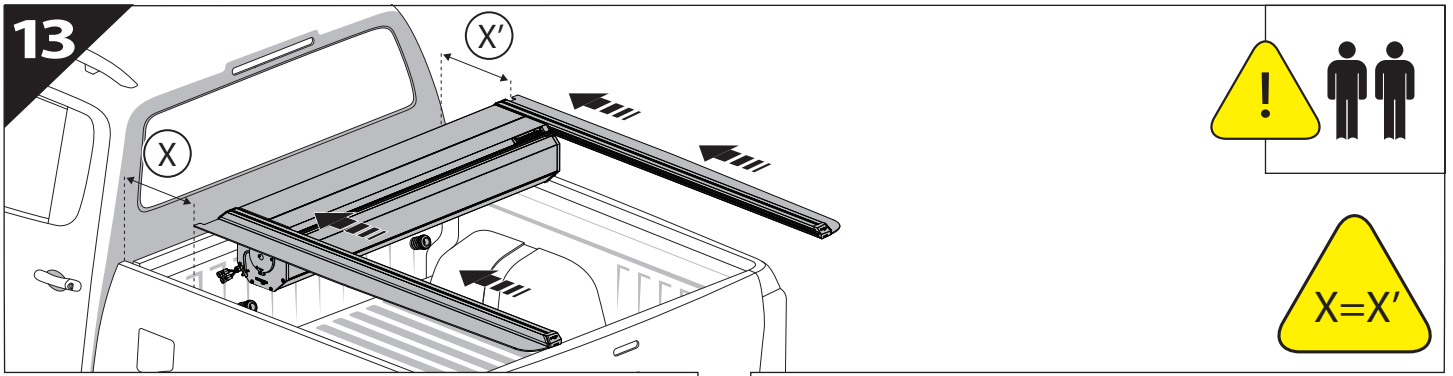


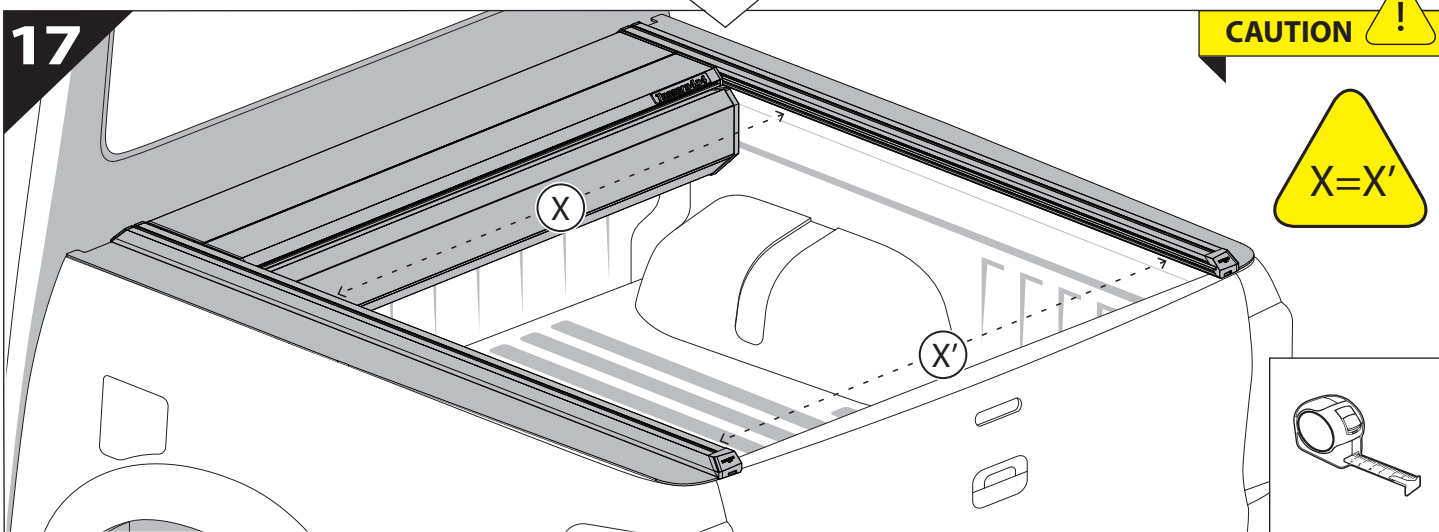
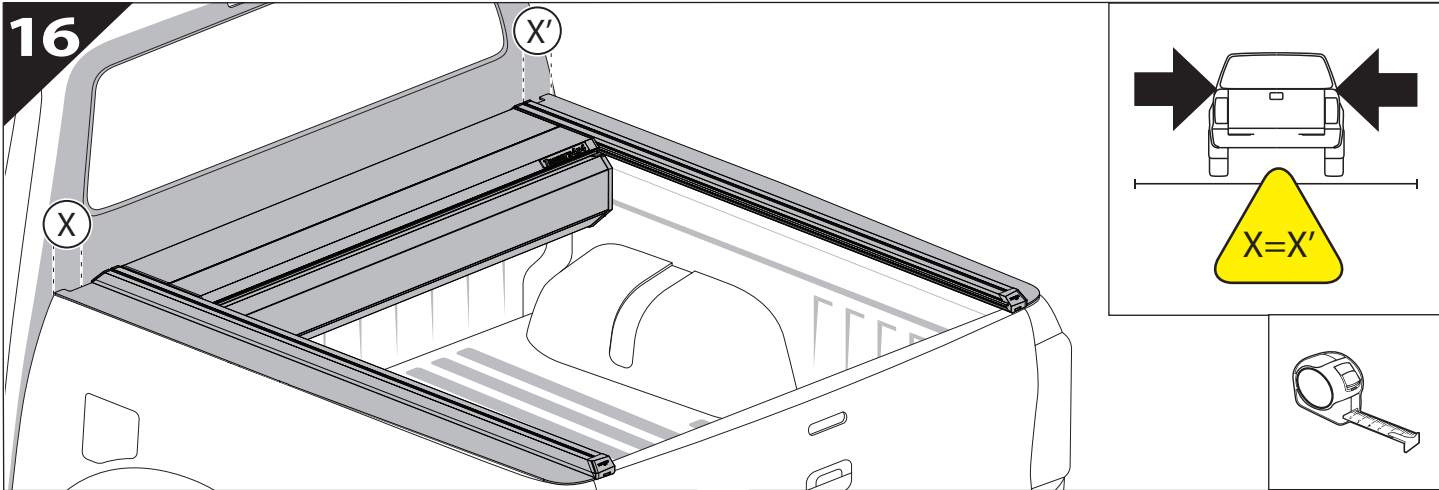
8

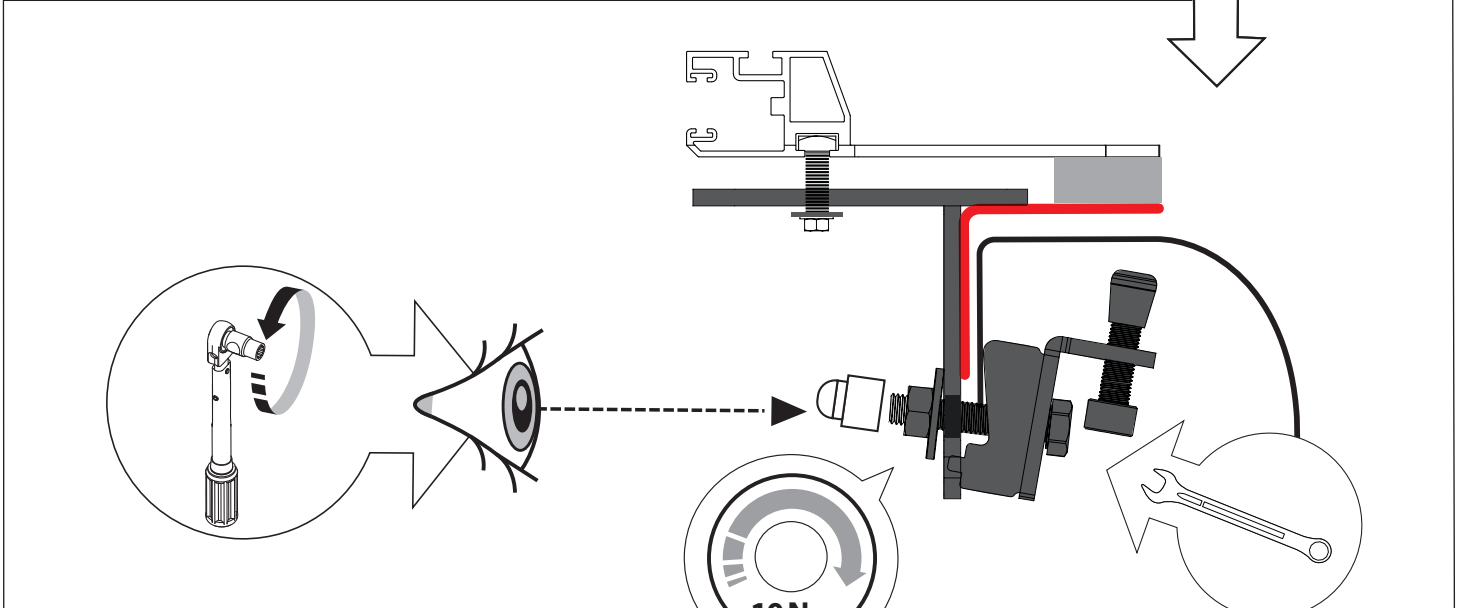
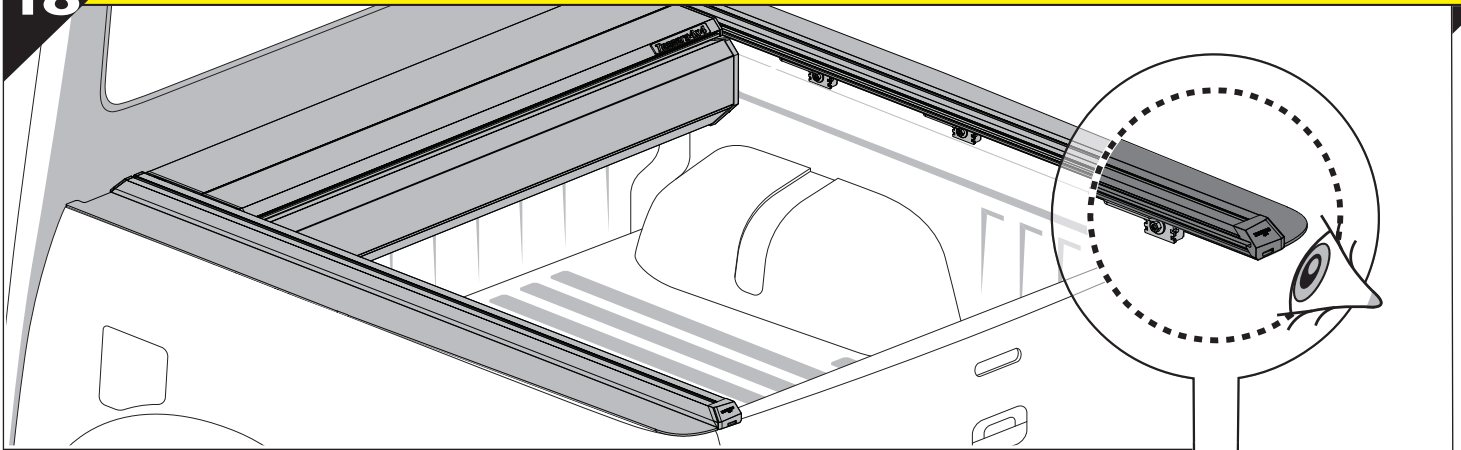






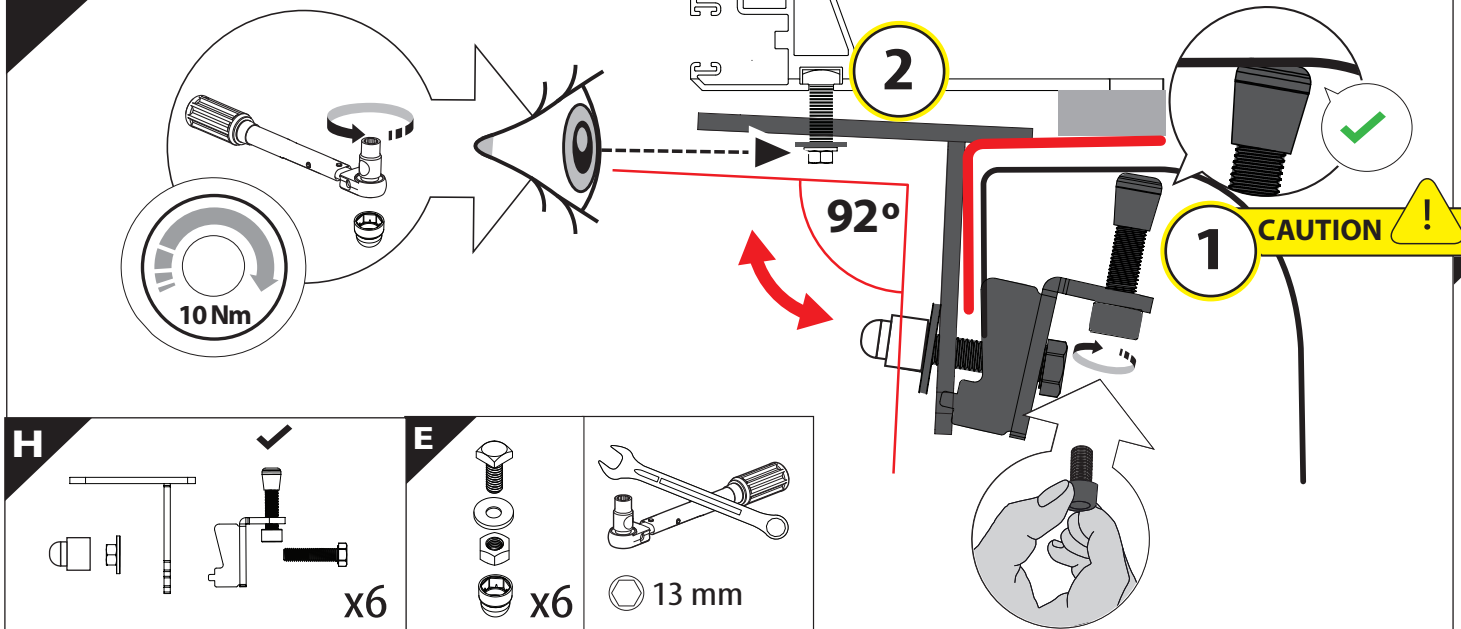




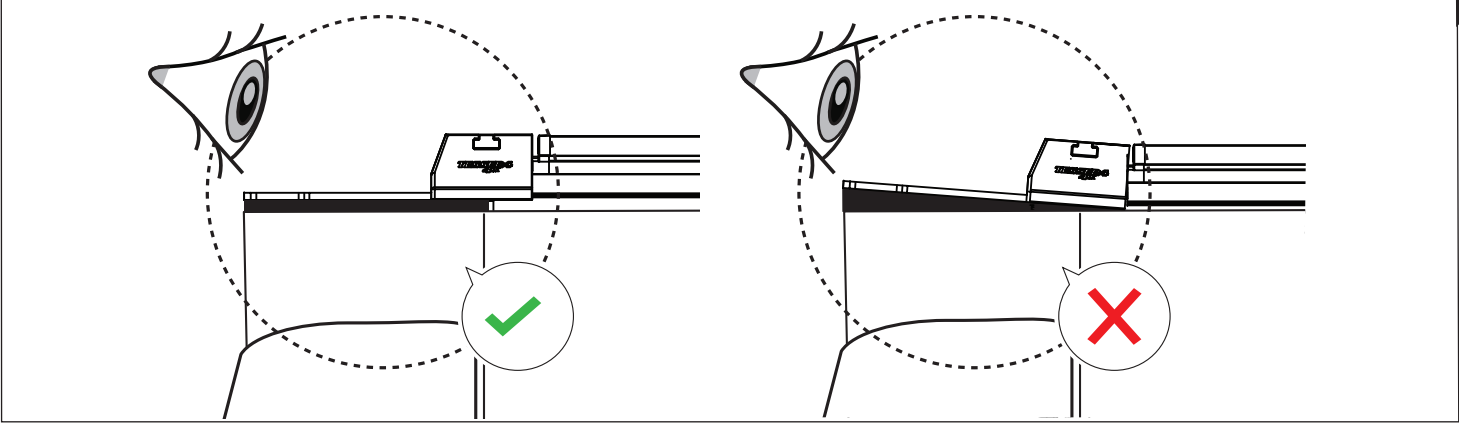
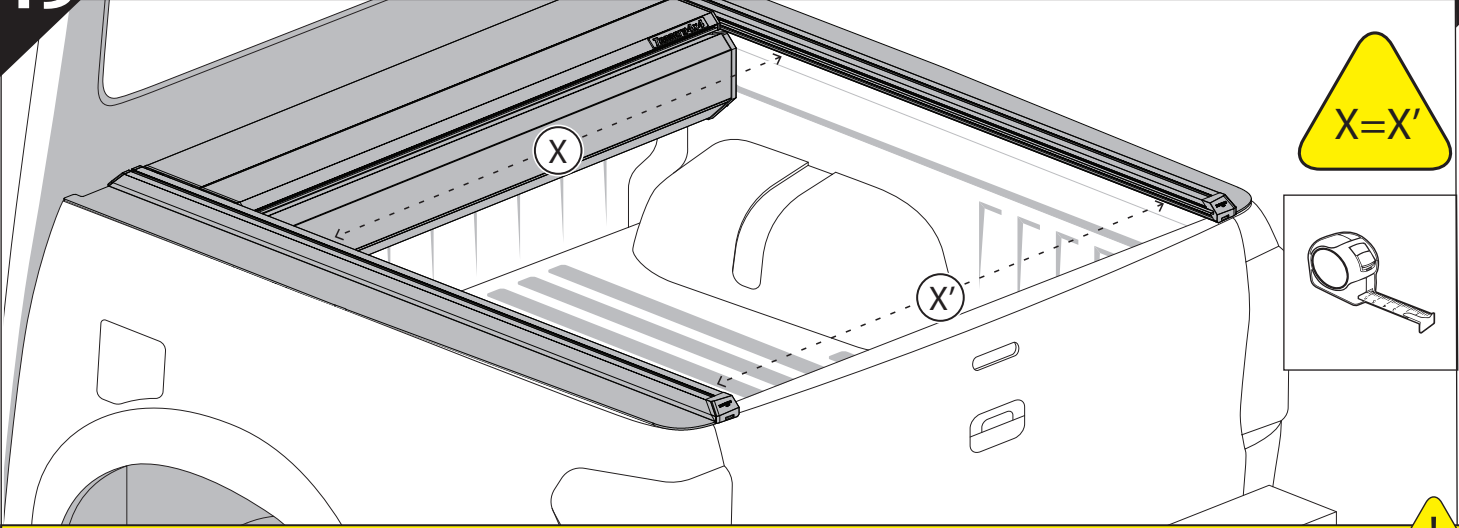


<p><b>H</b></p> <p>x6</p>	<p><b>E</b></p> <p>x6</p>	<p>13 mm</p>
---------------------------	---------------------------	--------------

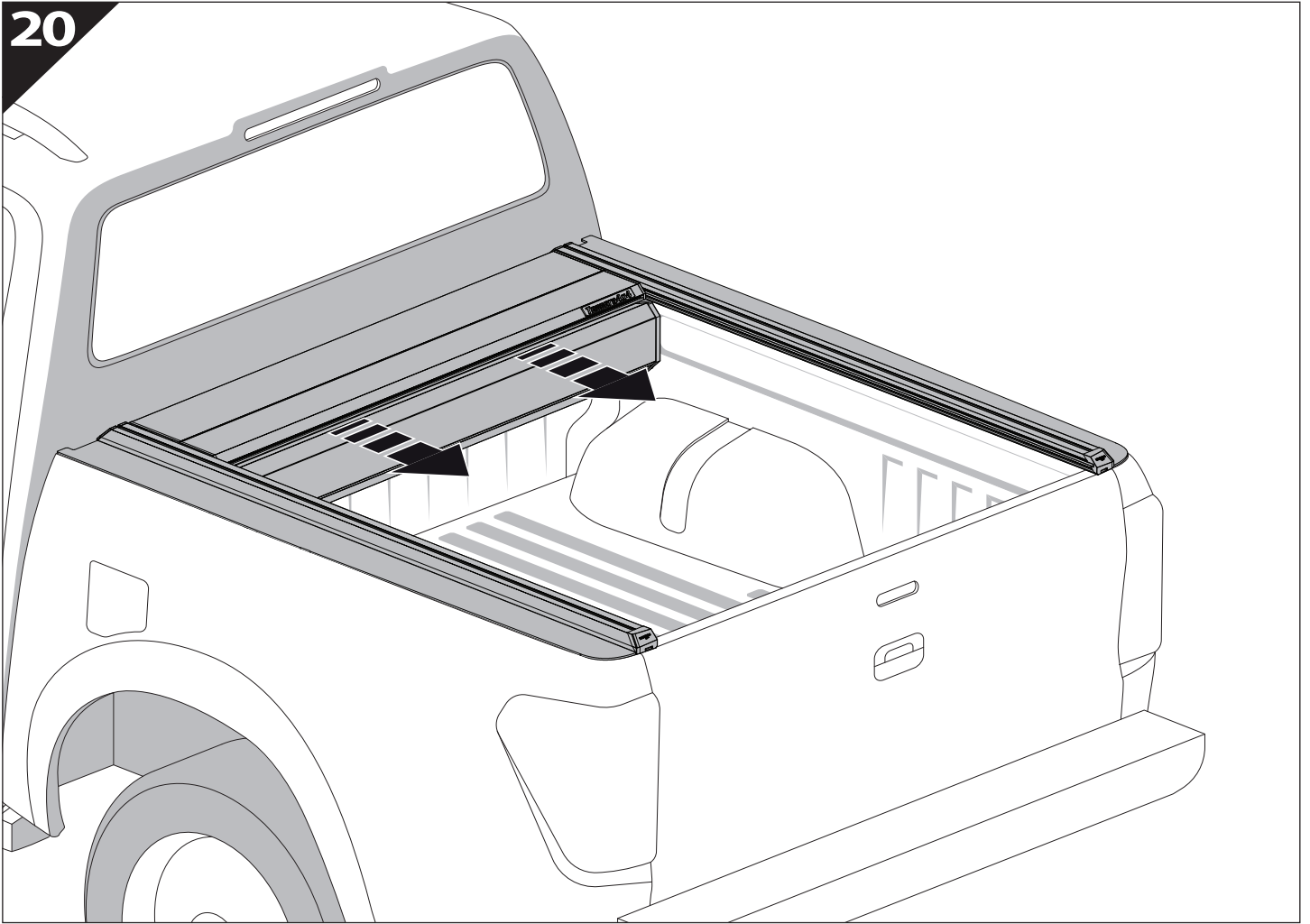
18.0



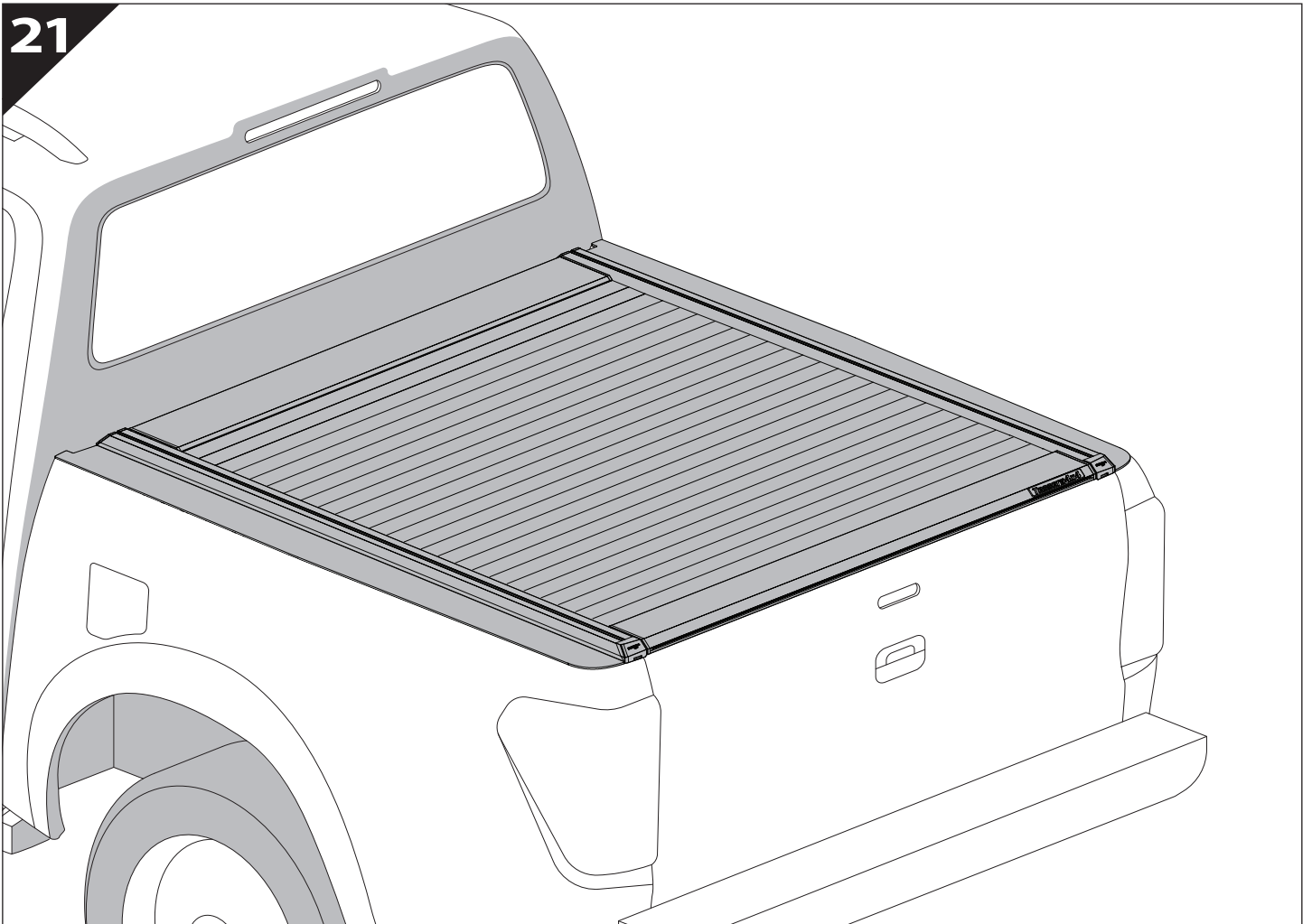
<p><b>H</b></p> <p>x6</p>	<p><b>E</b></p> <p>x6</p>	<p>13 mm</p>
---------------------------	---------------------------	--------------



20



21





**GR:** Οδηγίες Εγκατάστασης  
**GB:** Installation manual  
**SF:** Asennusohje  
**F:** Notice de montage  
**PL:** Instrukcja montażu  
**NL:** Installatie-instructies  
**TR:** Montaj Talimatı  
**S:** Monteringsanvisning  
**E:** Instrucciones de montaje

**H:** Szerelési utasítás  
**P:** Instruções de instalação  
**RUS:** Инструкция по установке  
**N:** Monteringsveiledning  
**D:** Einbauanleitung  
**CZ:** Návod k instalaci  
**I:** Istruzioni de montaggio  
**DK:** Monteringsvejledning  
**RO:** Instructiuni de instalare

Customer Service:

+30 (210) 5541161, +30 (210) 5541154 (08:00 - 16:00 EET)

Support department:

[info@gianso.gr](mailto:info@gianso.gr)

Website:

[www.tessera4x4.com](http://www.tessera4x4.com)

Address:

19.5 km of National road Athens-Korinthos (Elefsina) Greece, P.C: 19200