

# Tessera Roll+

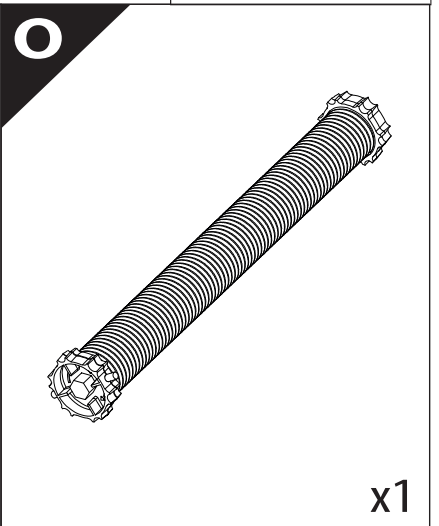
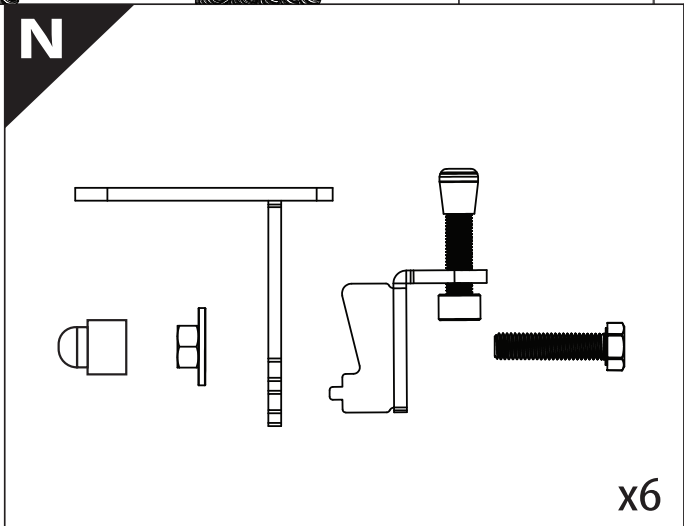
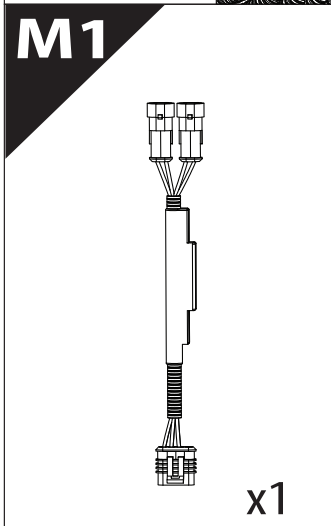
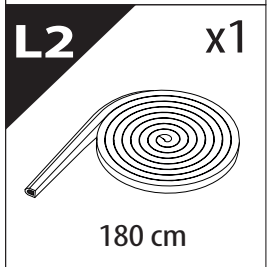
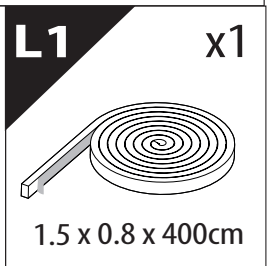
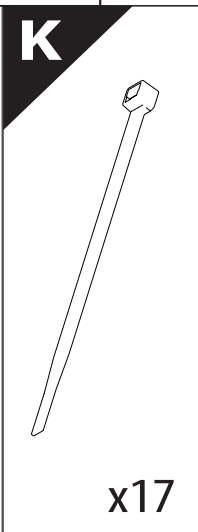
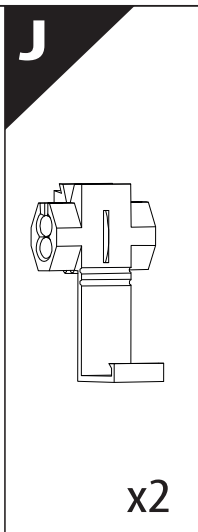
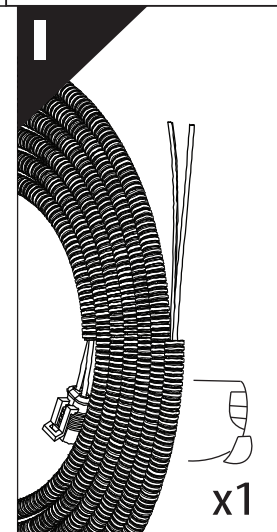
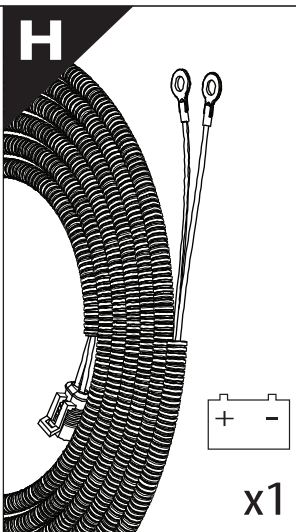
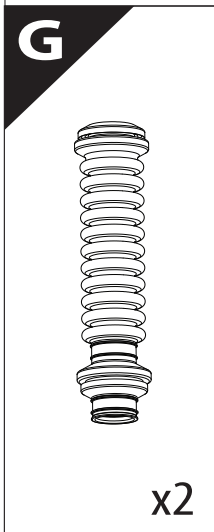
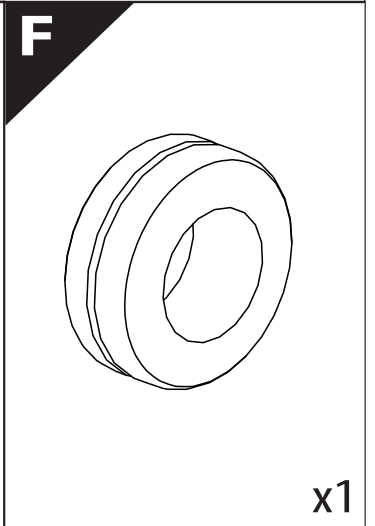
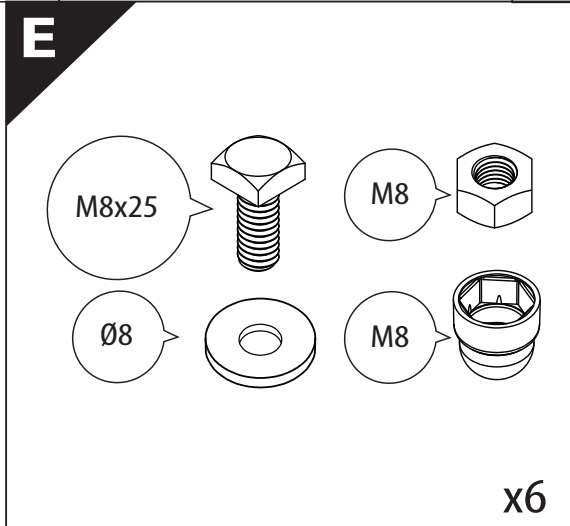
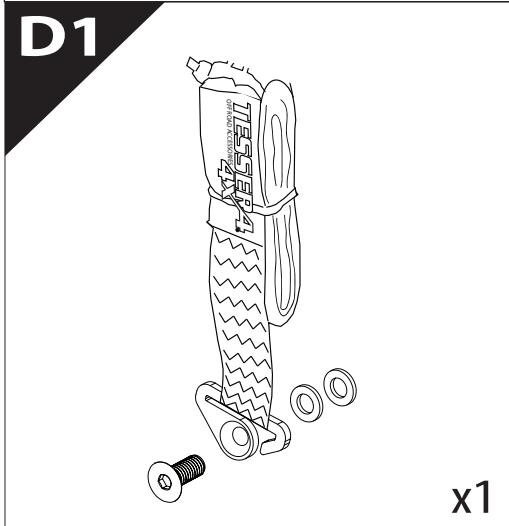
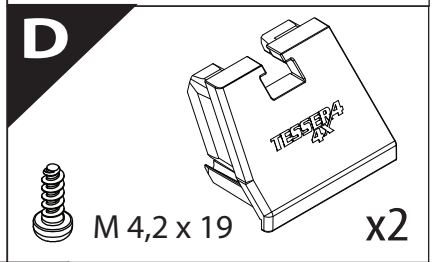
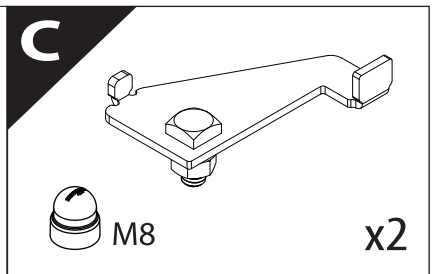
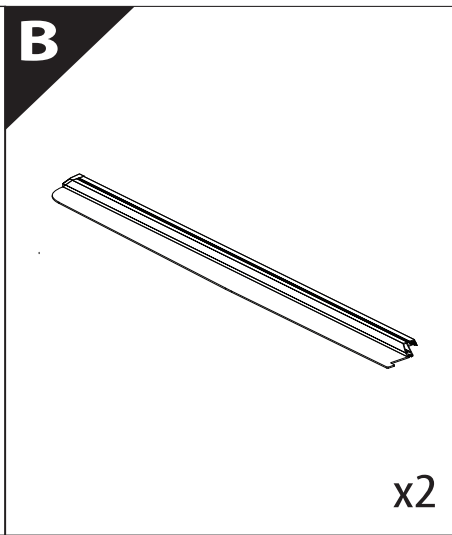
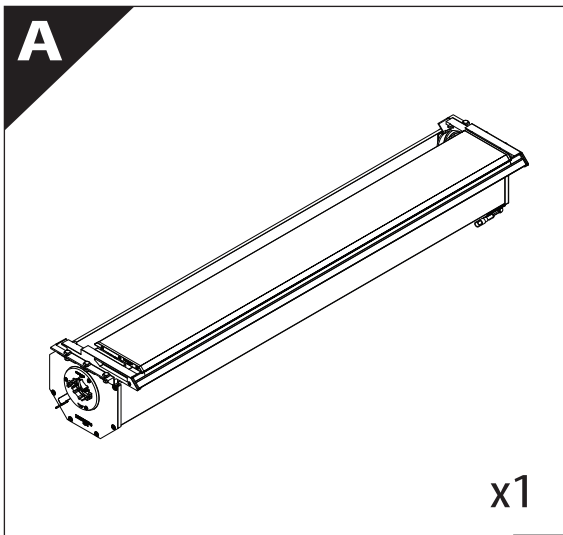
## Basic Version + ⚙️ S-KIT

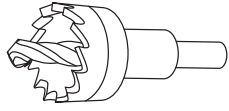


## Installation Manual

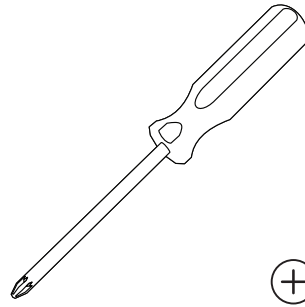
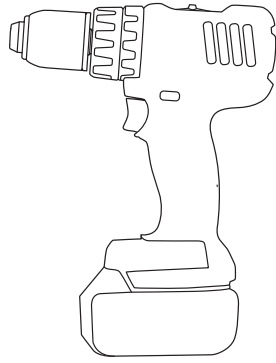
| PART NUMBER(S)        | Model Year   |
|-----------------------|--|
| TESS 1431 ROLL+ S-KIT | Toyota Tundra 2014 ->2021 & 2022+<br>( no c - channels ) |
| TESS 14311 ROLL+S-KIT |  |
| Cab(s)                | Installation Time / Weight                               |
| 5.5 Feet & 6.5 Feet   | 40-60 minutes / 53-57 kg                                 |



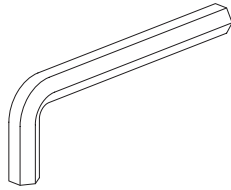
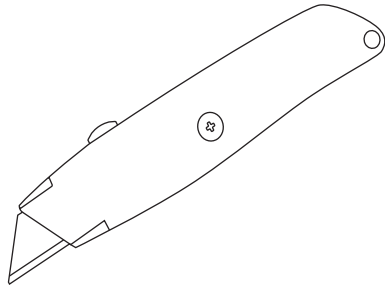
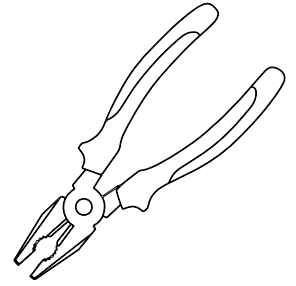




Ø 25 mm

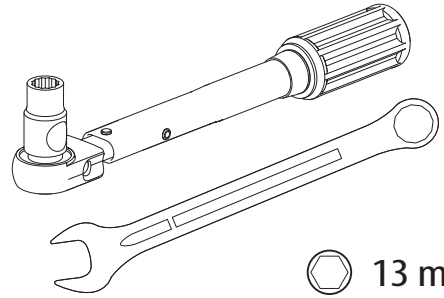


+



4 mm

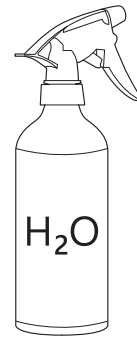
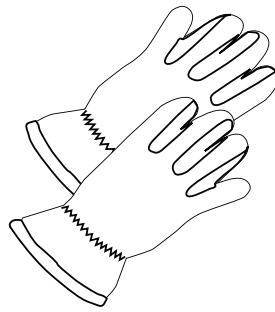
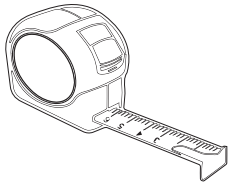
1 - 25 Nm



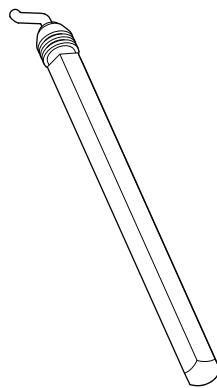
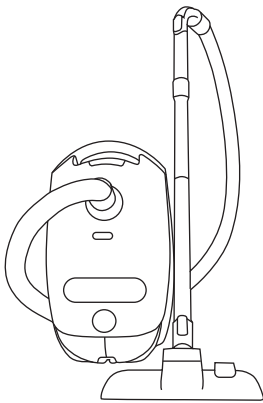
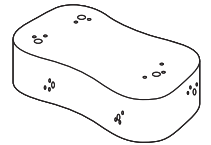
13 mm



ACETONE



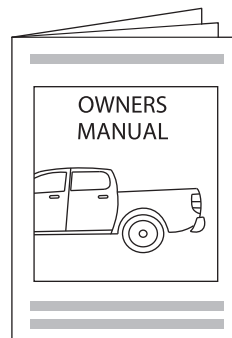
H<sub>2</sub>O



ANTI-RUST



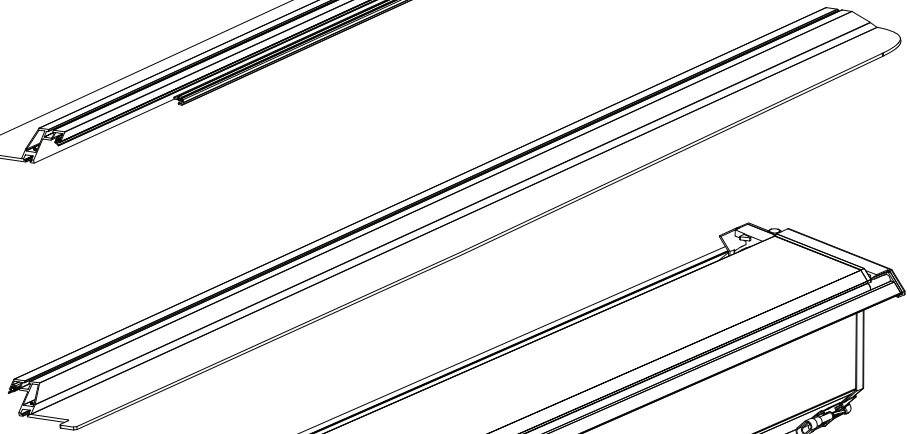
INSTALLATION  
MANUAL  
+S-KIT



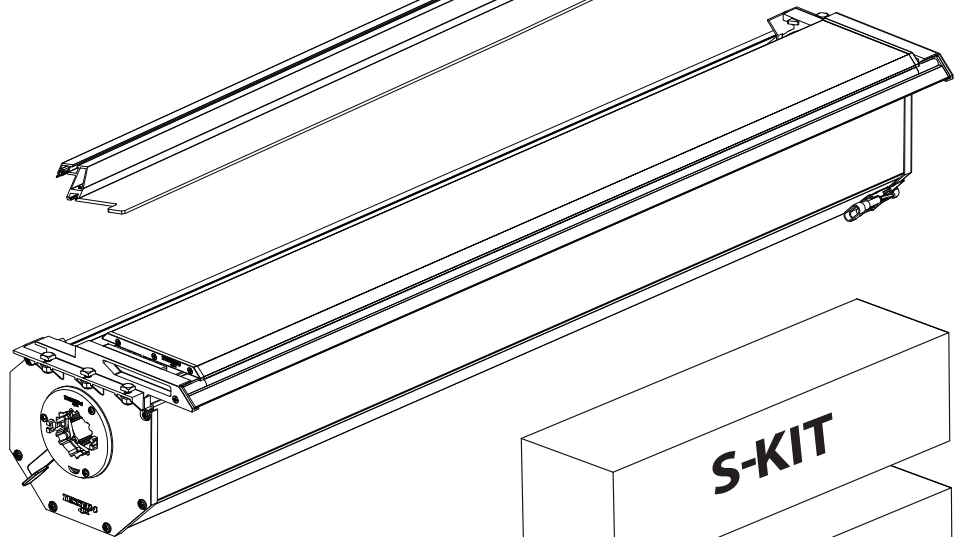
OWNERS  
MANUAL



x1

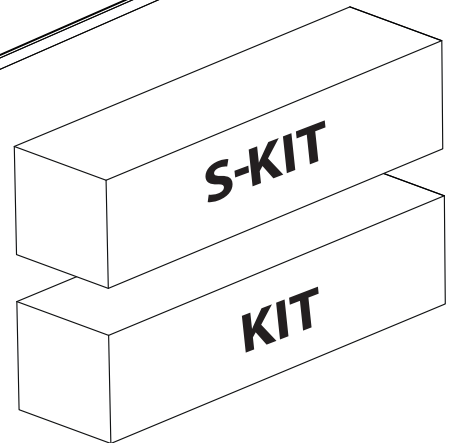


**B**

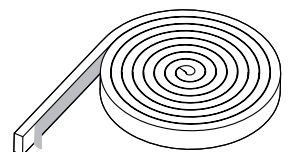


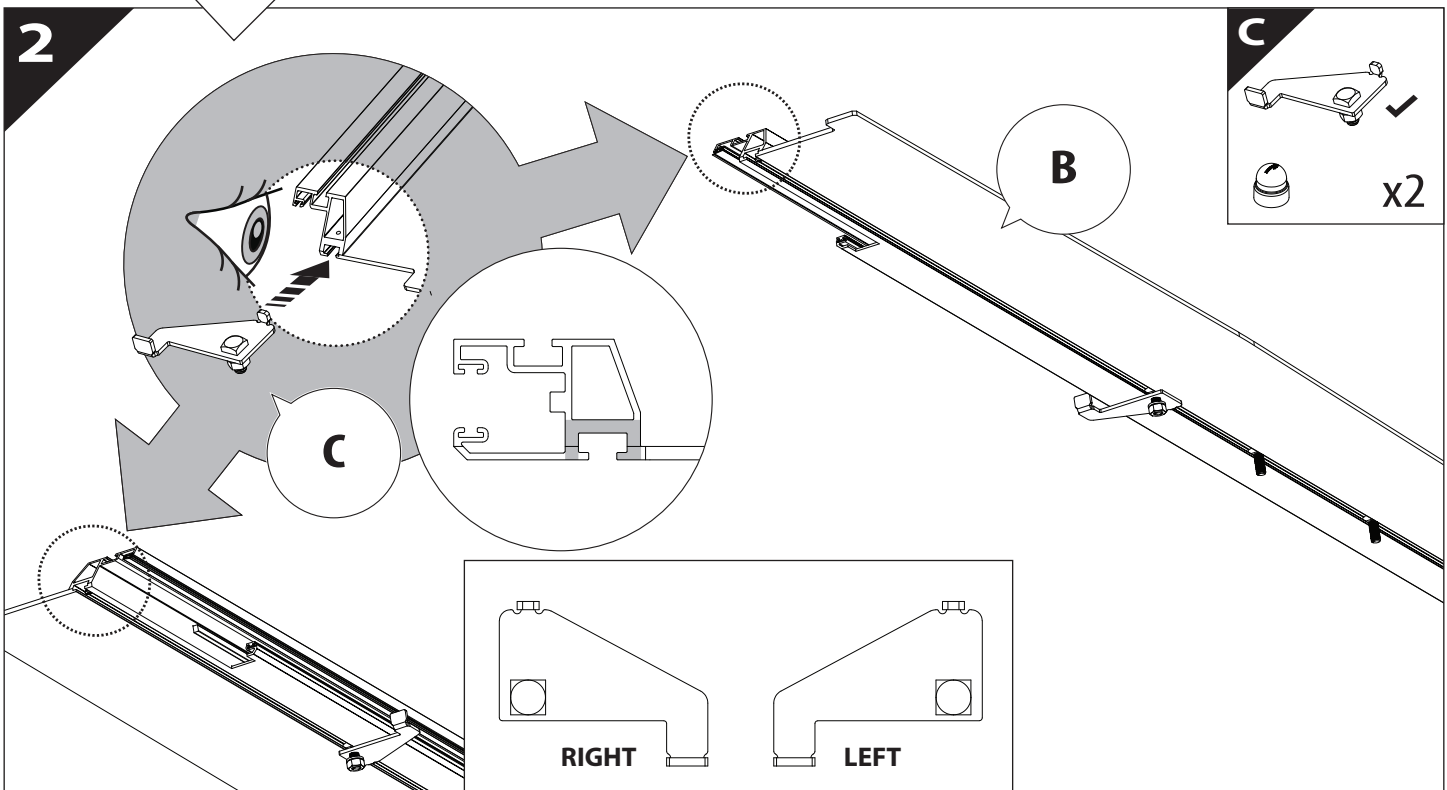
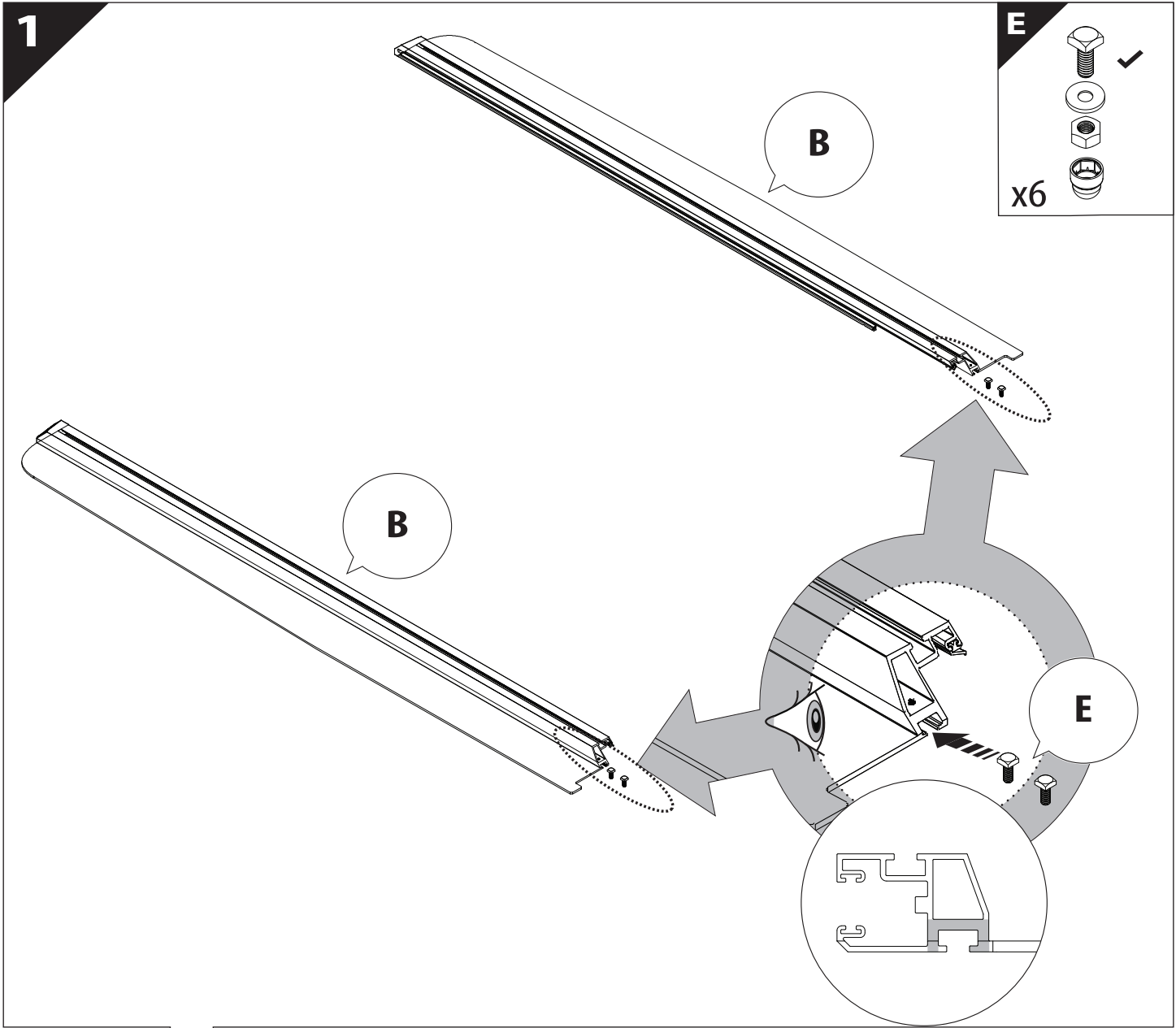
**A**

**KITS**



**L**



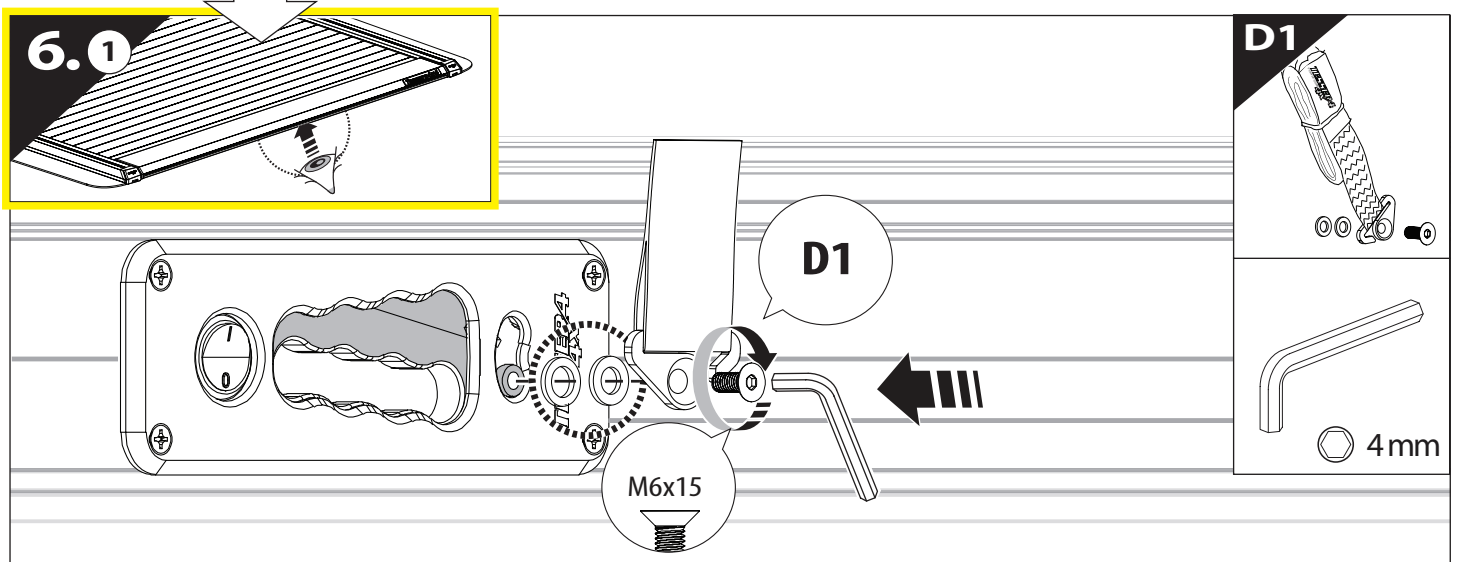
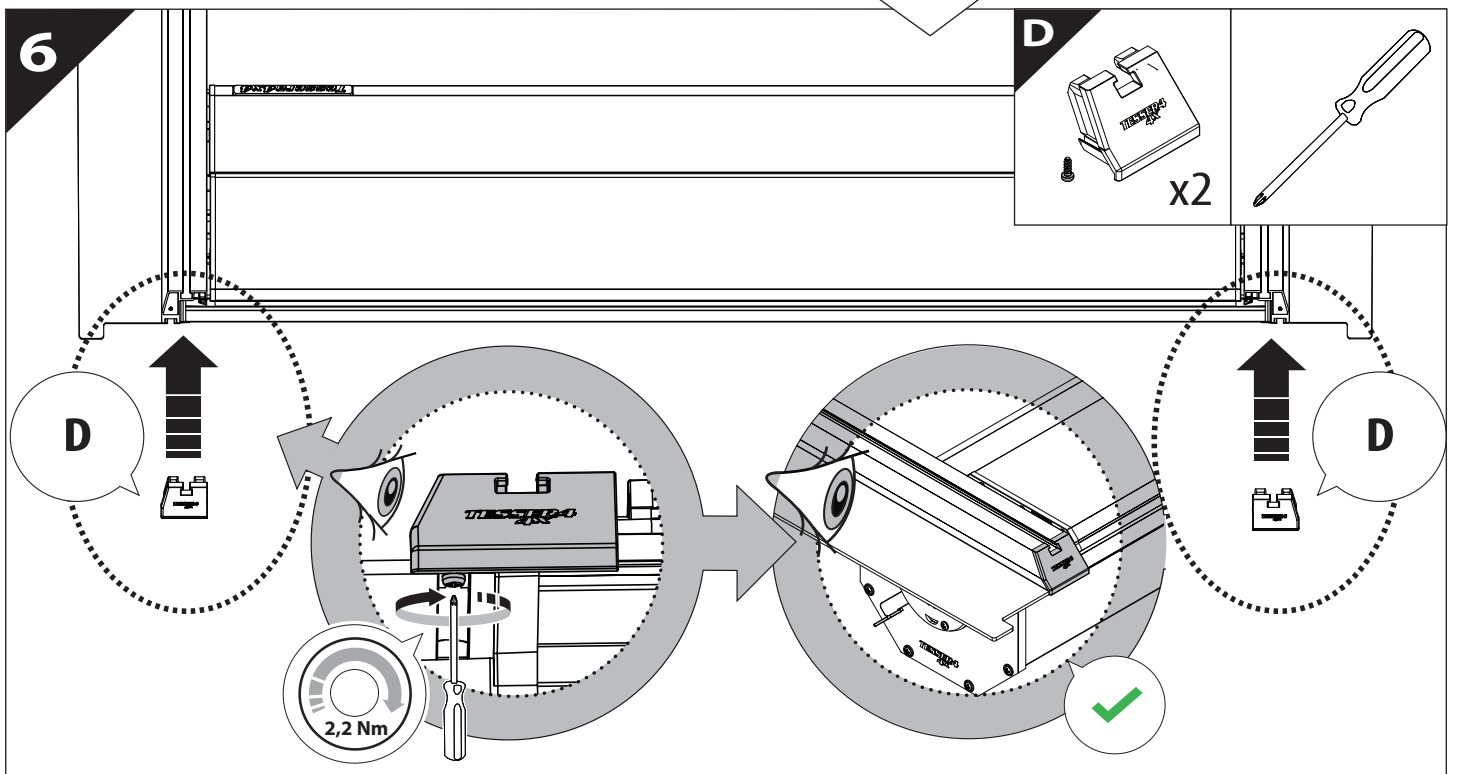
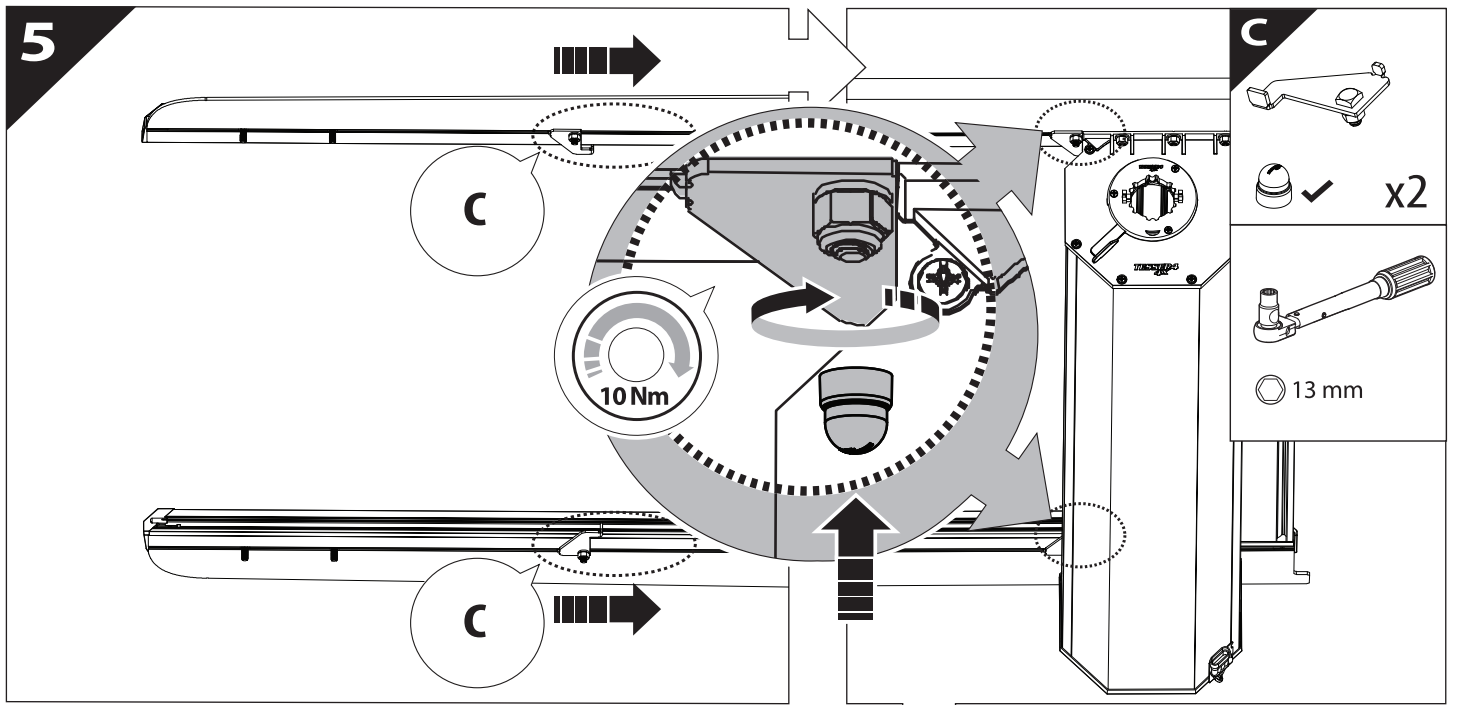


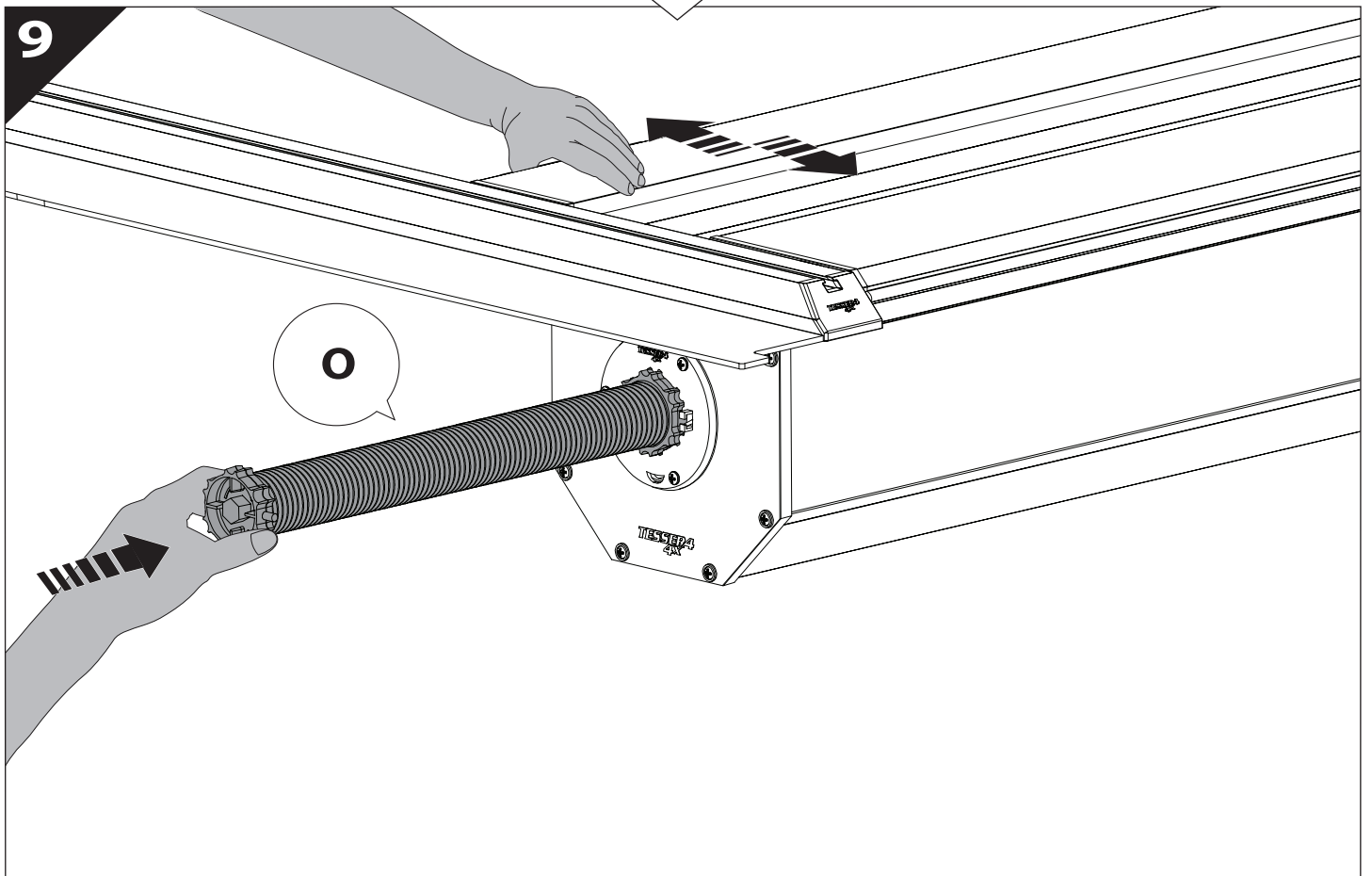
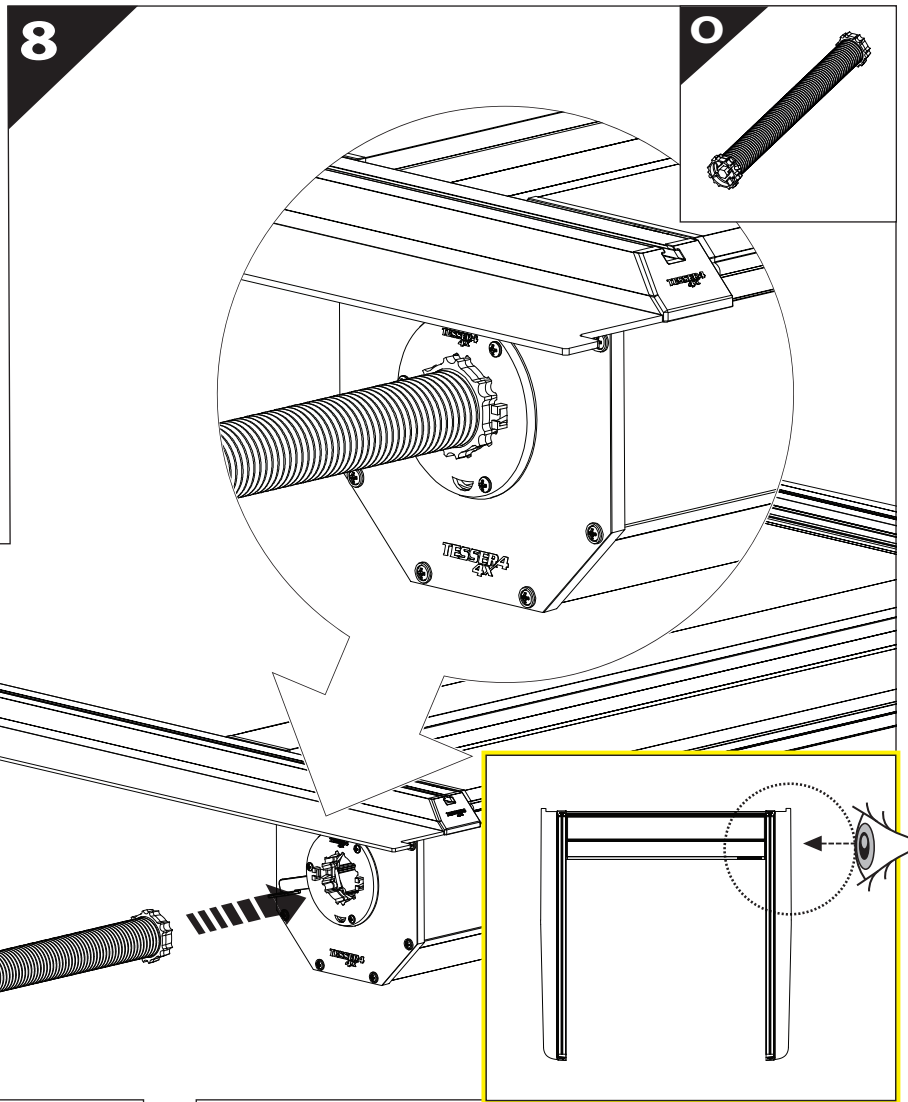
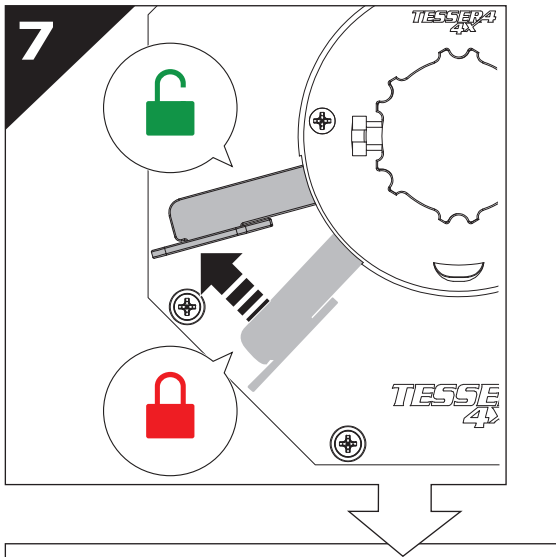
3

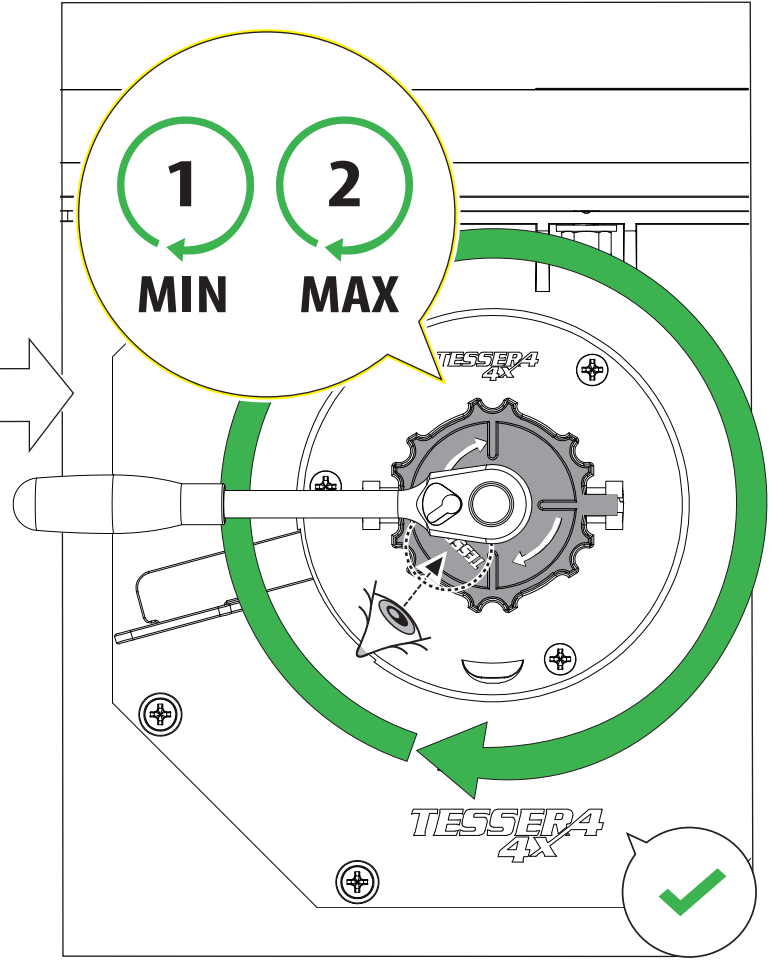
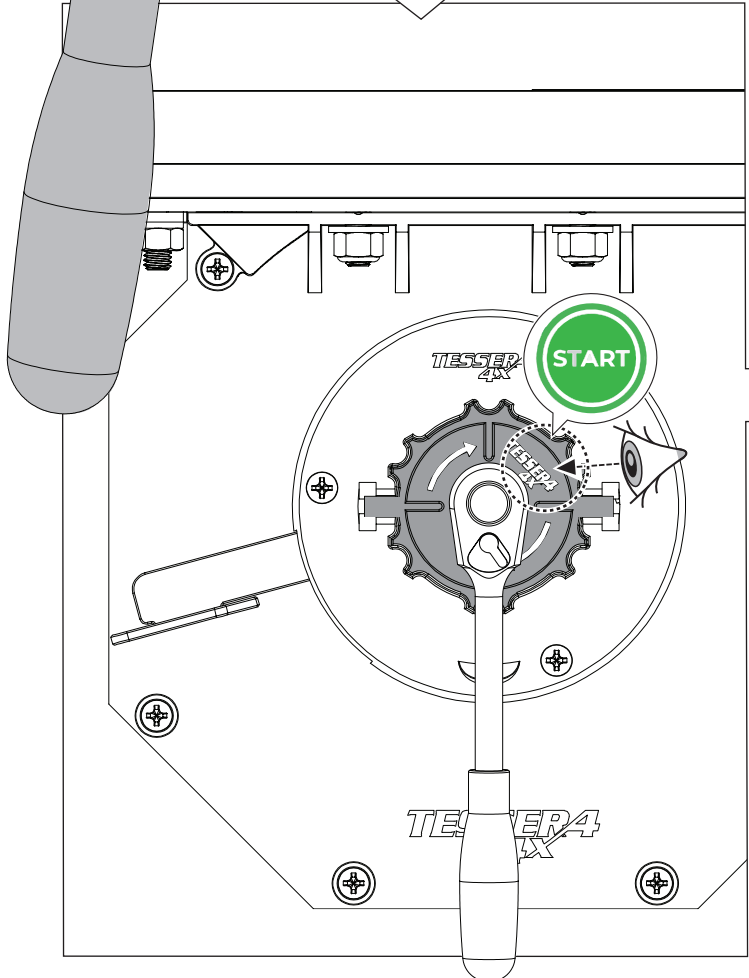
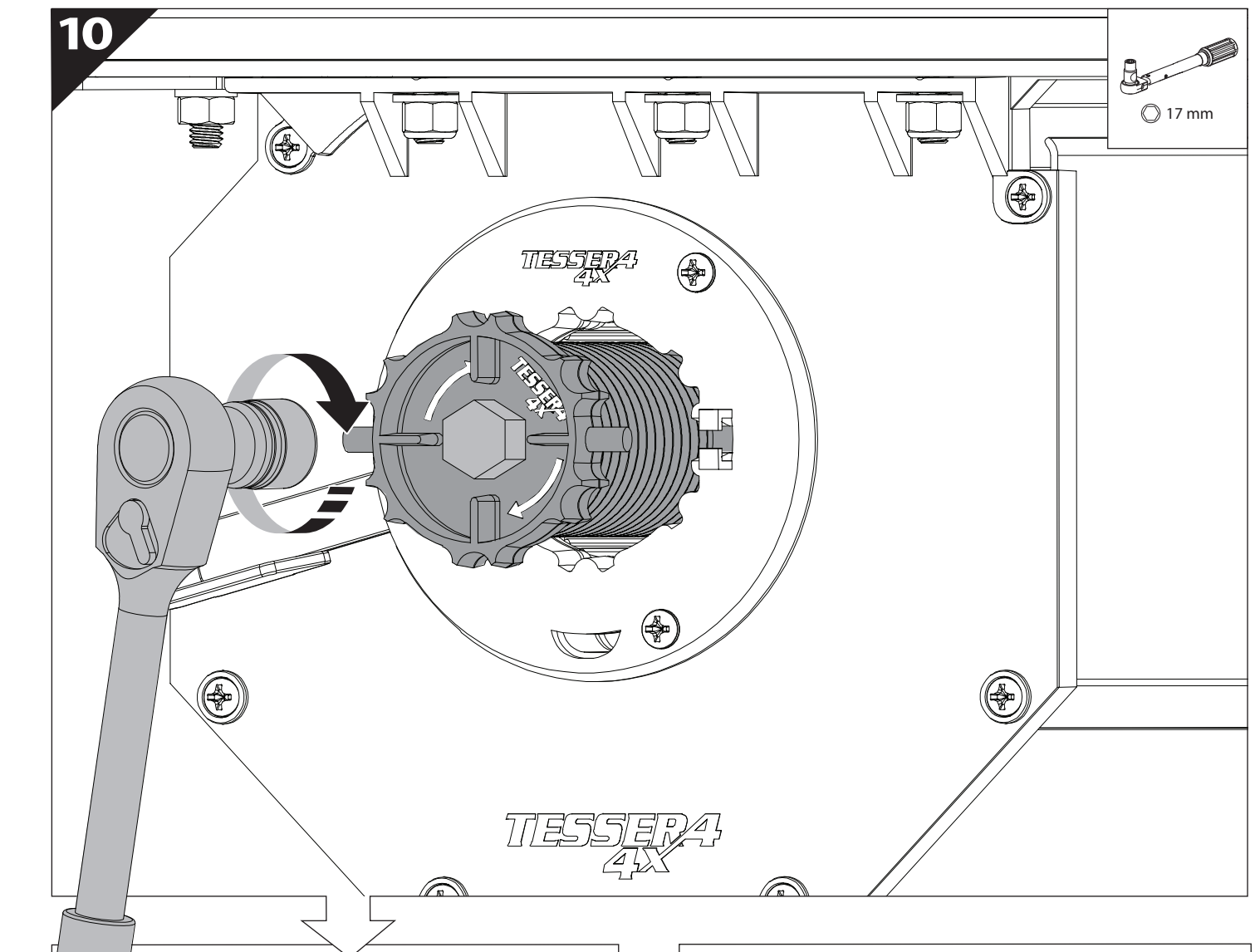
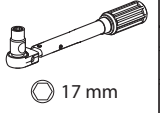


4

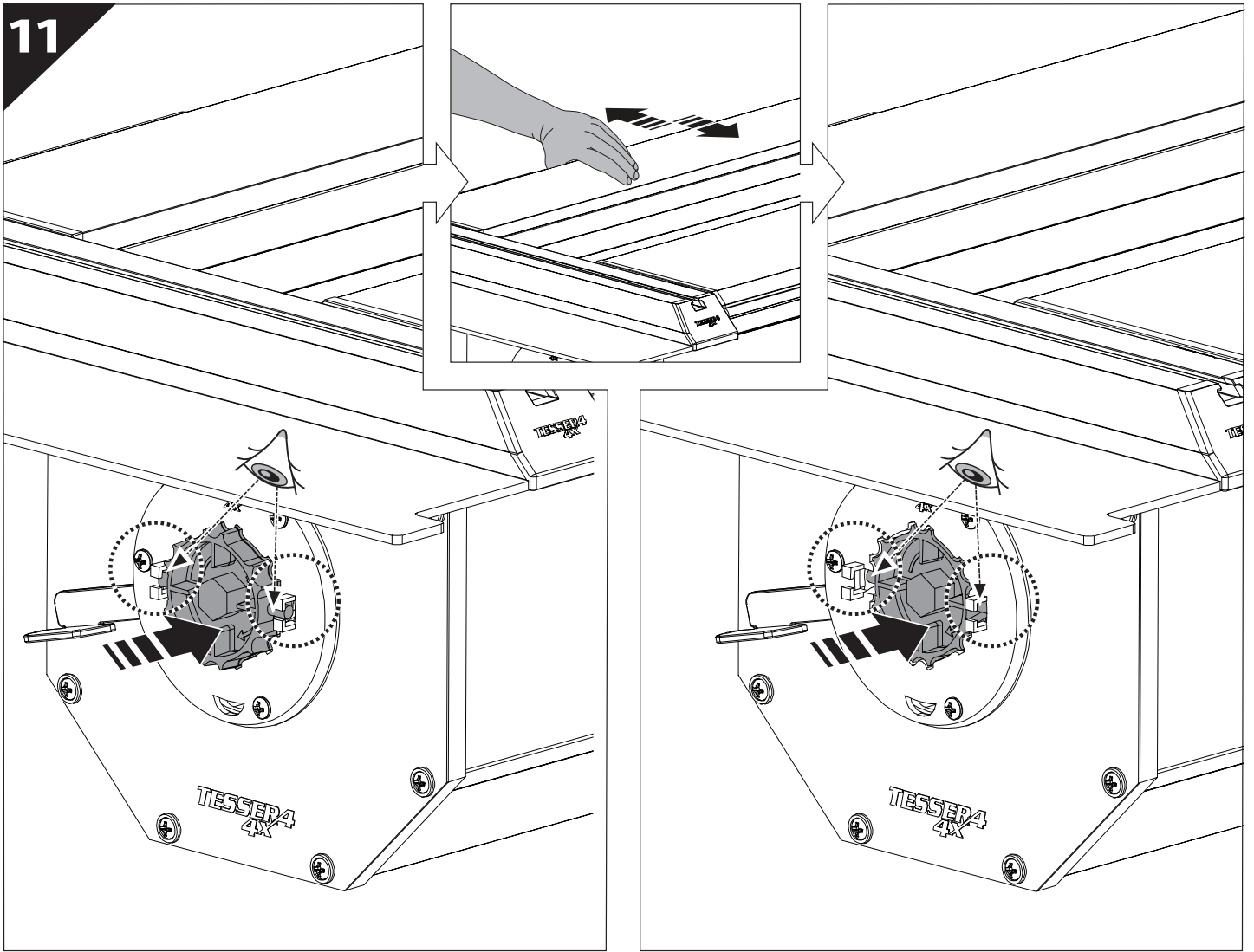




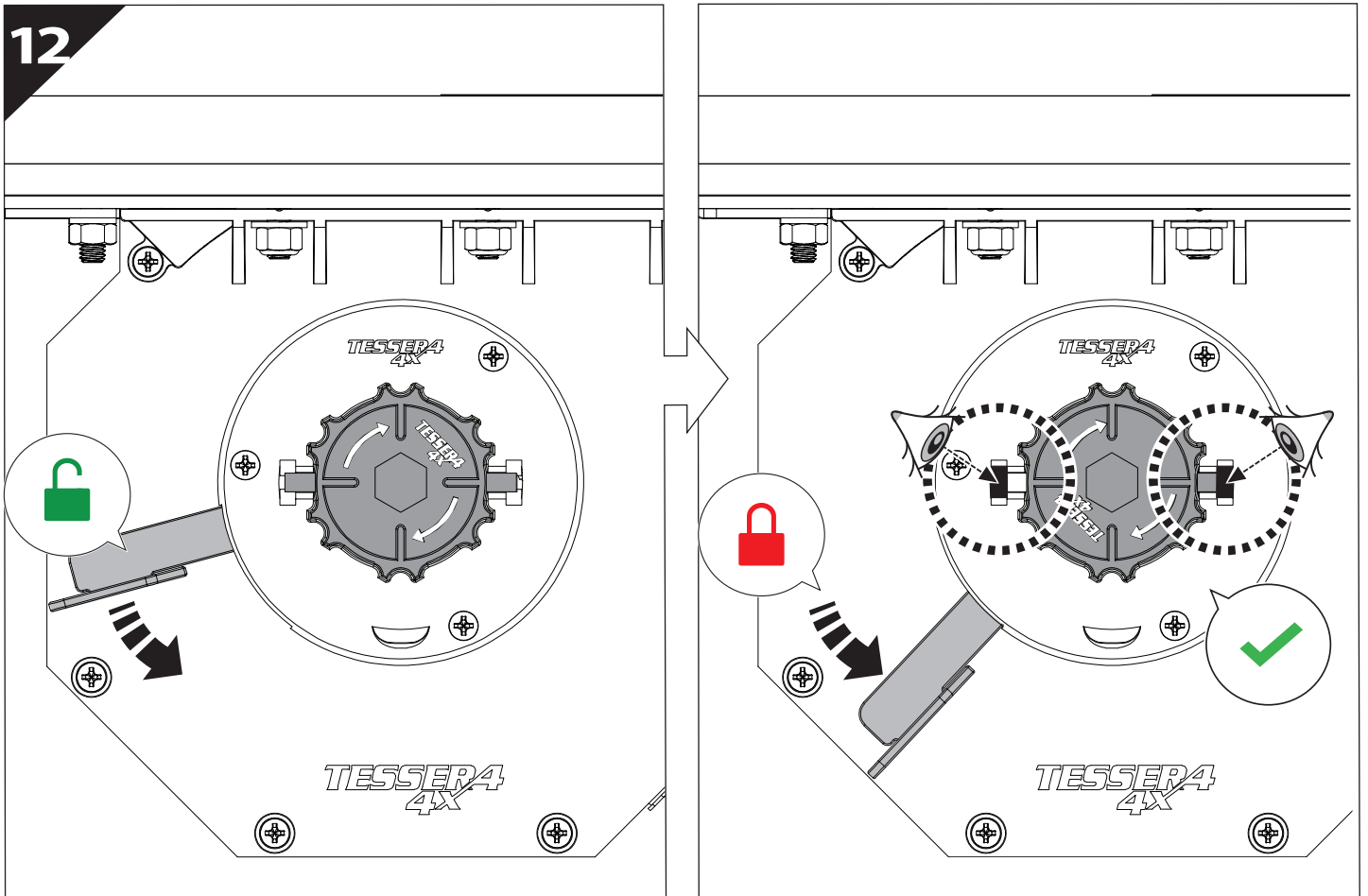




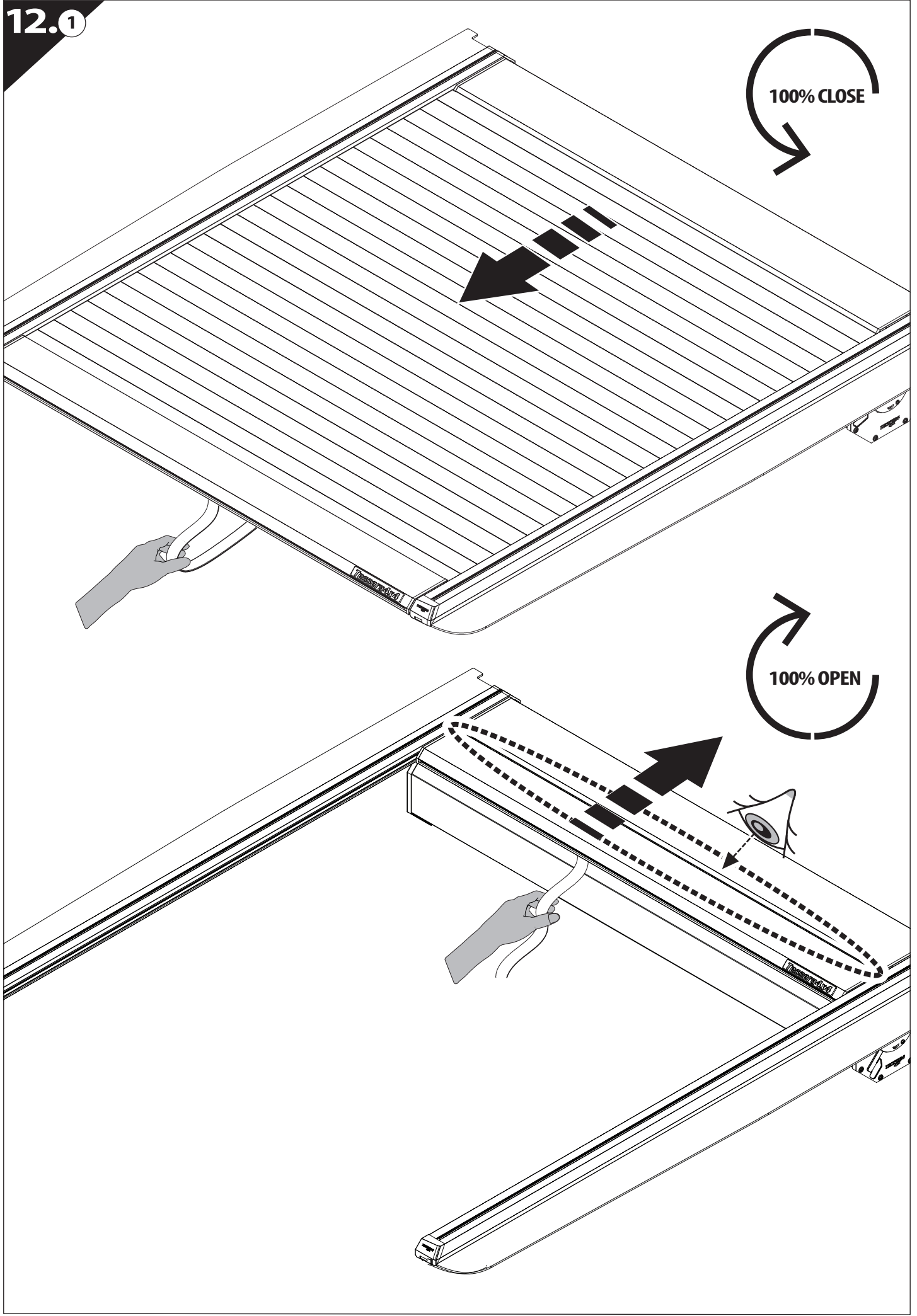
11



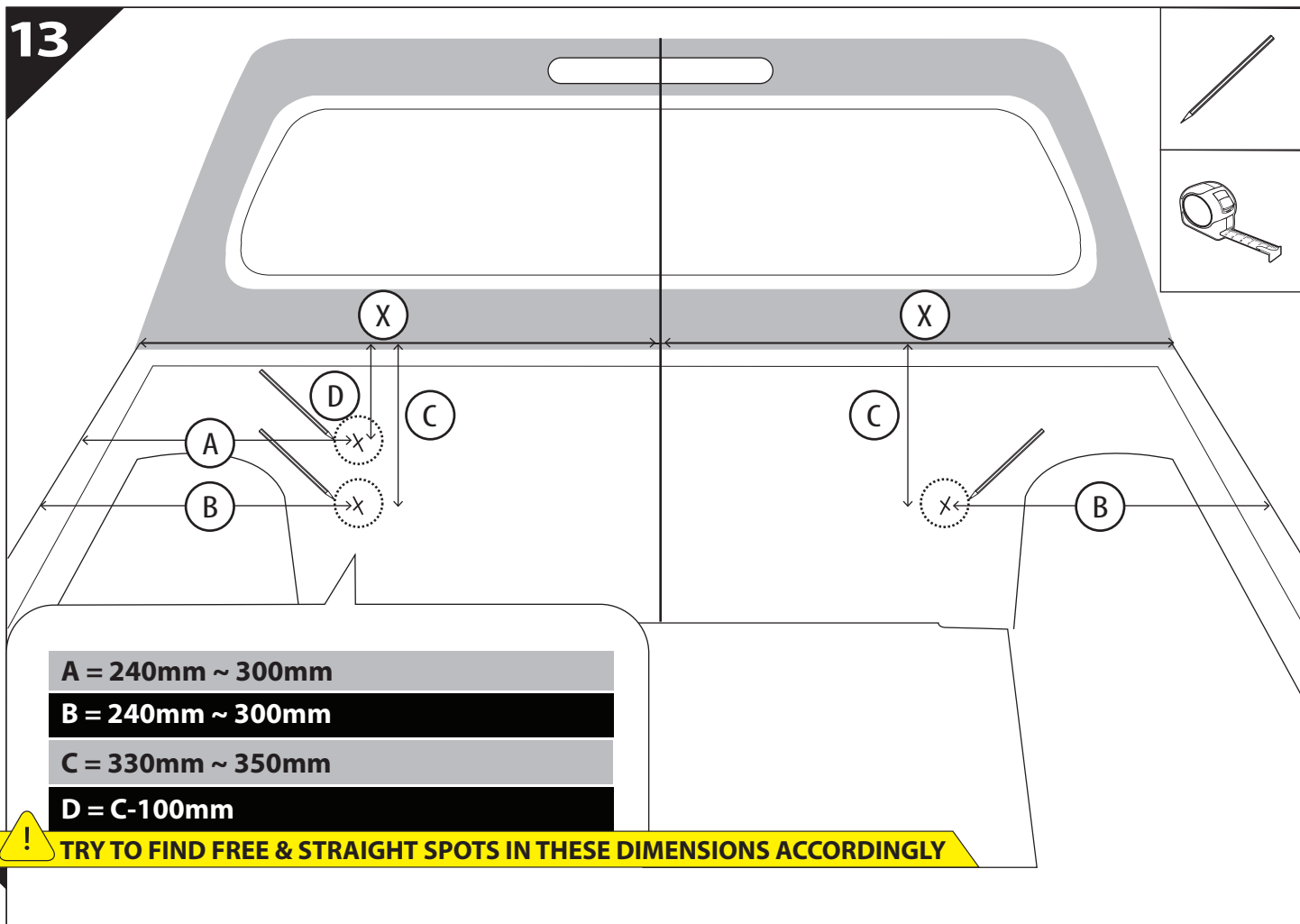
12



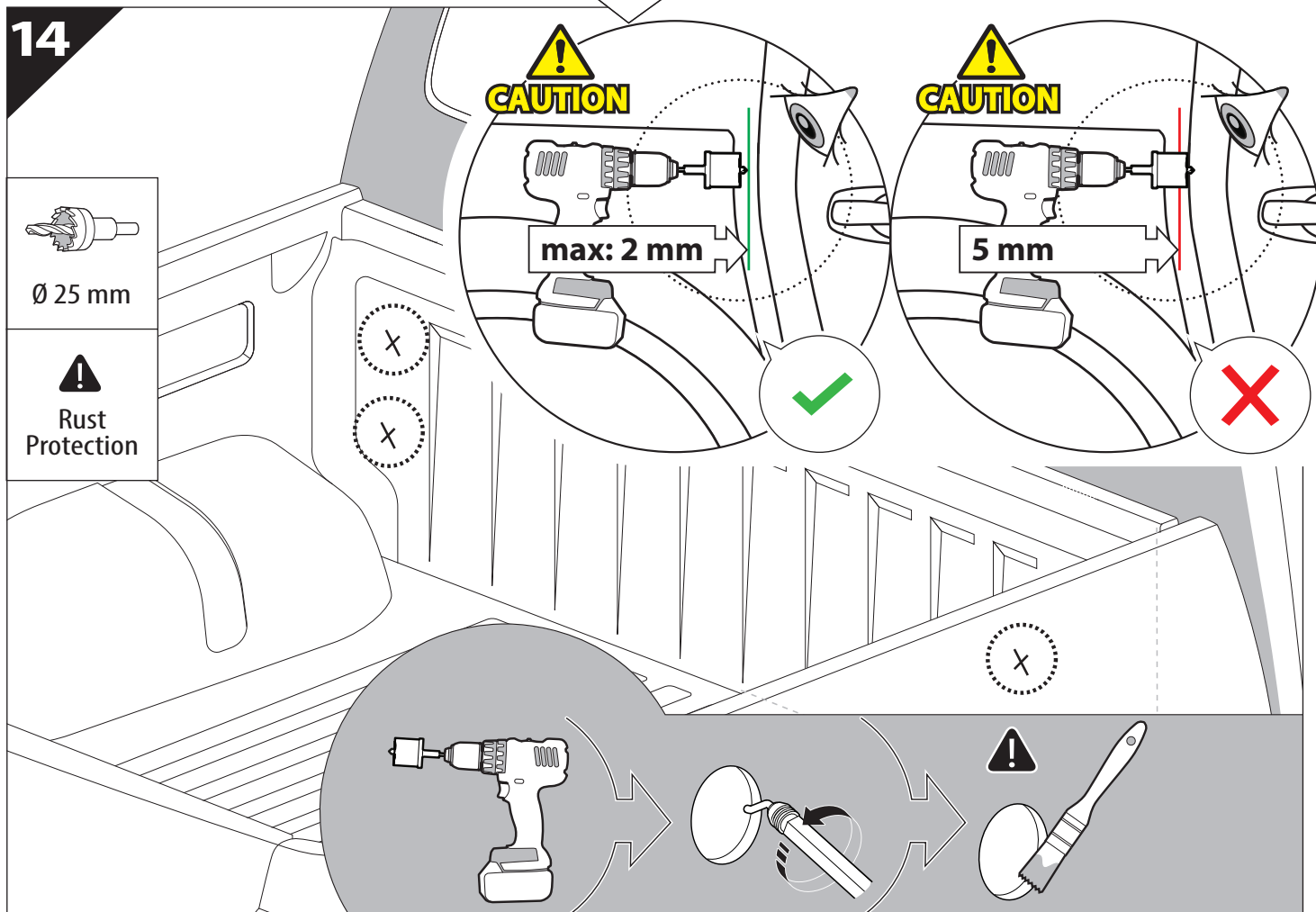
12.0



13



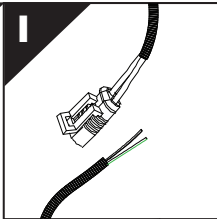
14



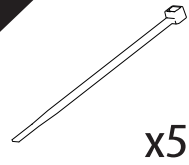


17

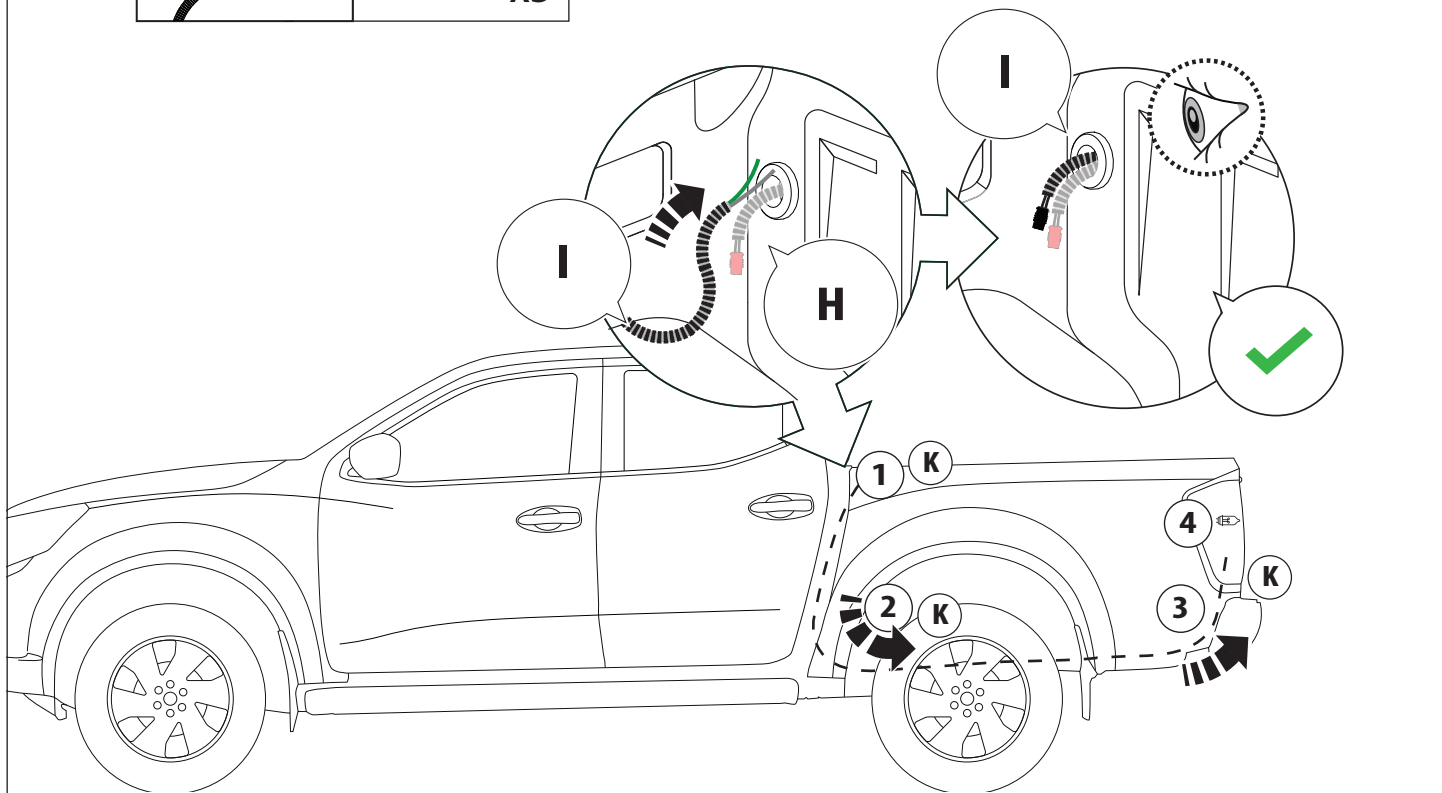
I



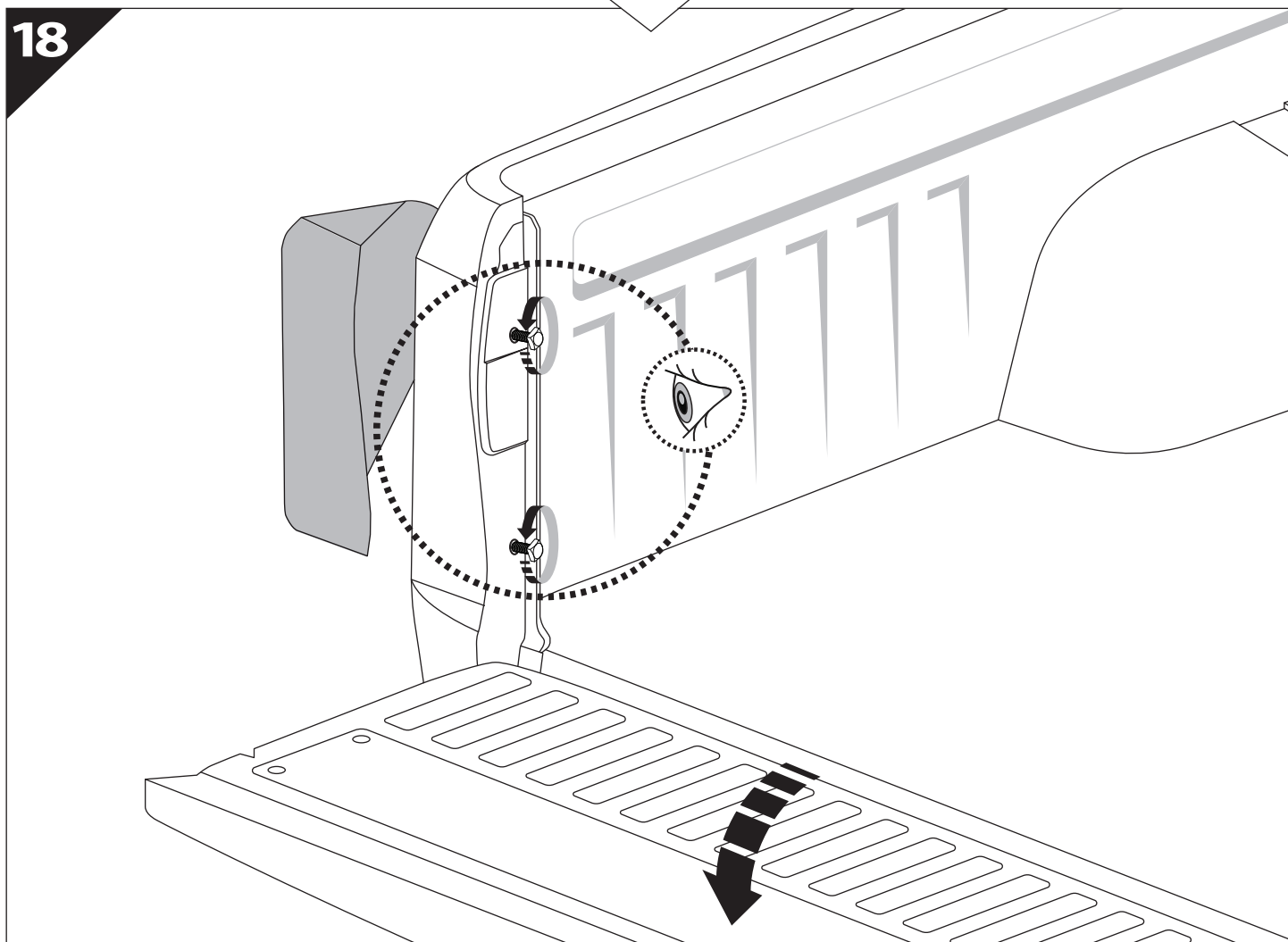
K



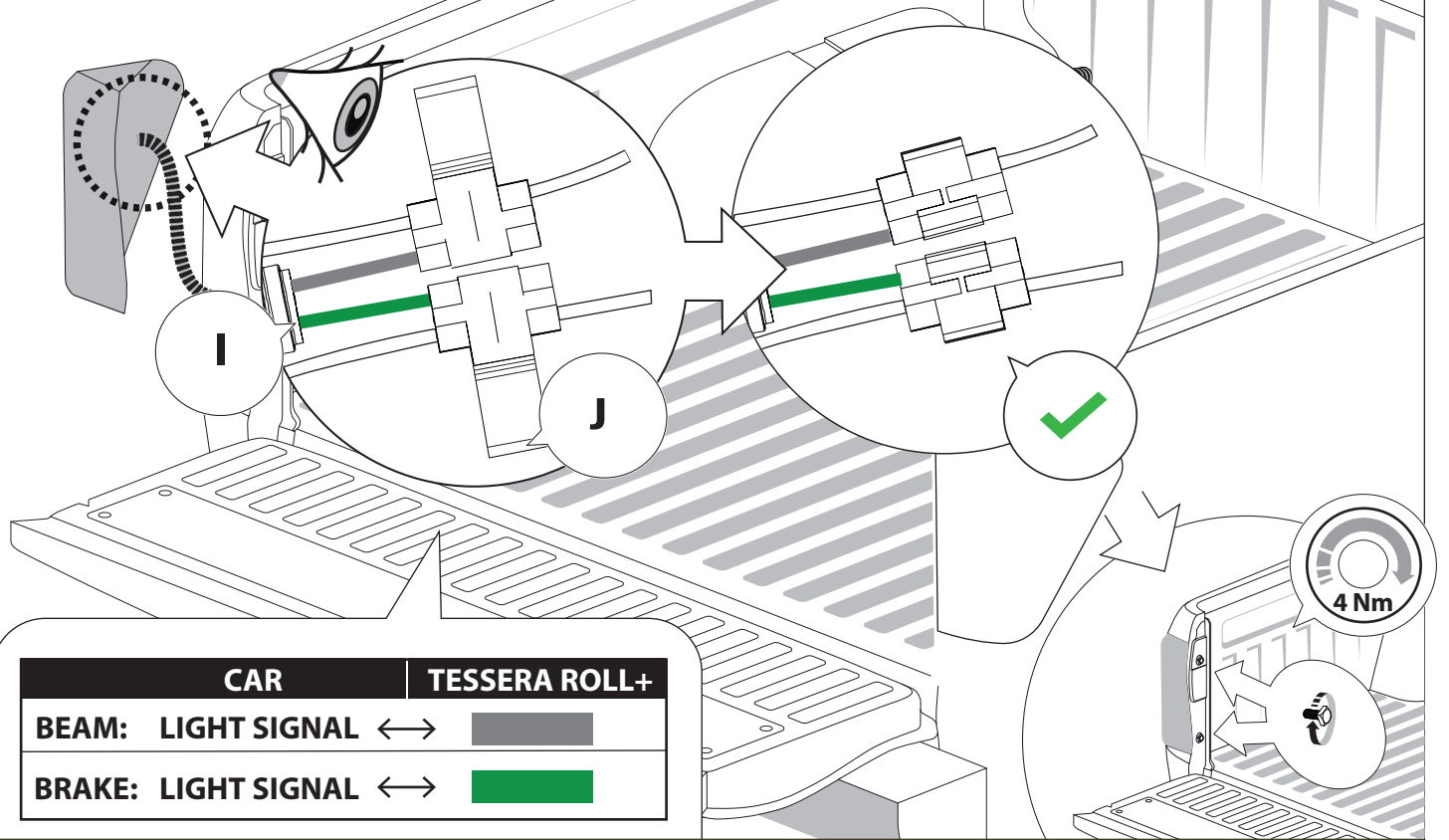
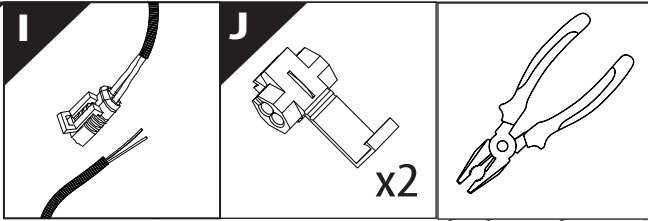
x5



18



19

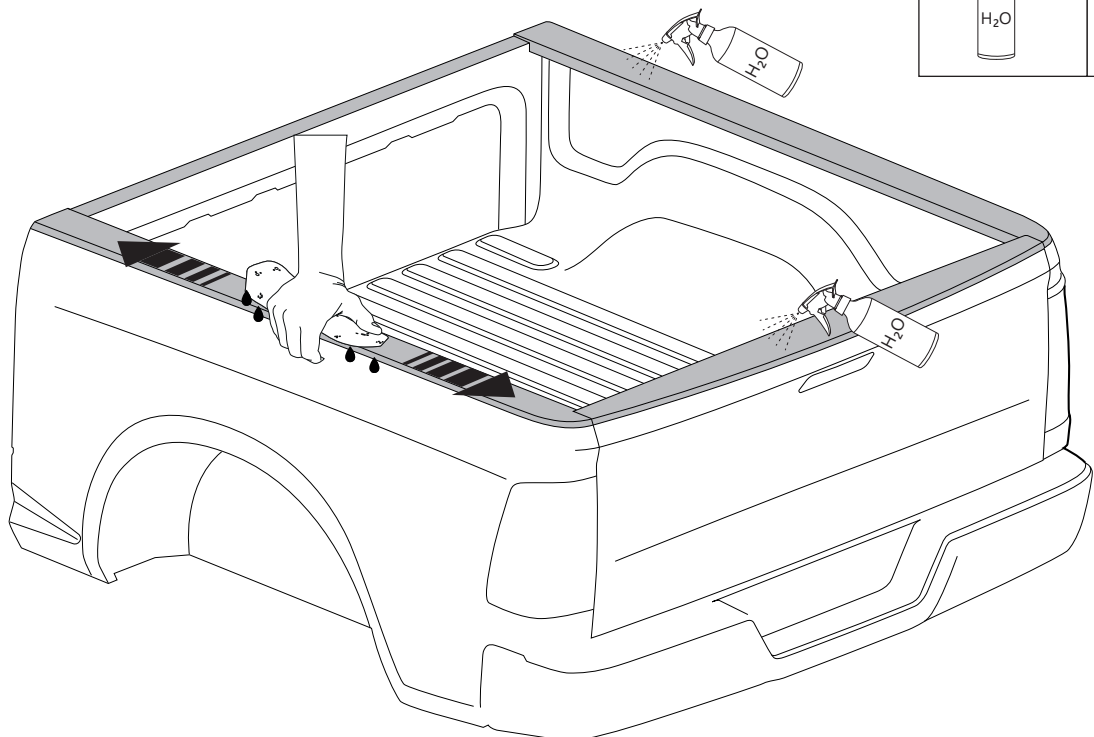
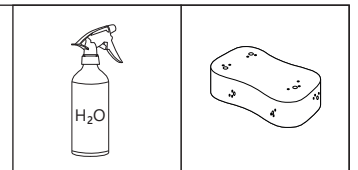


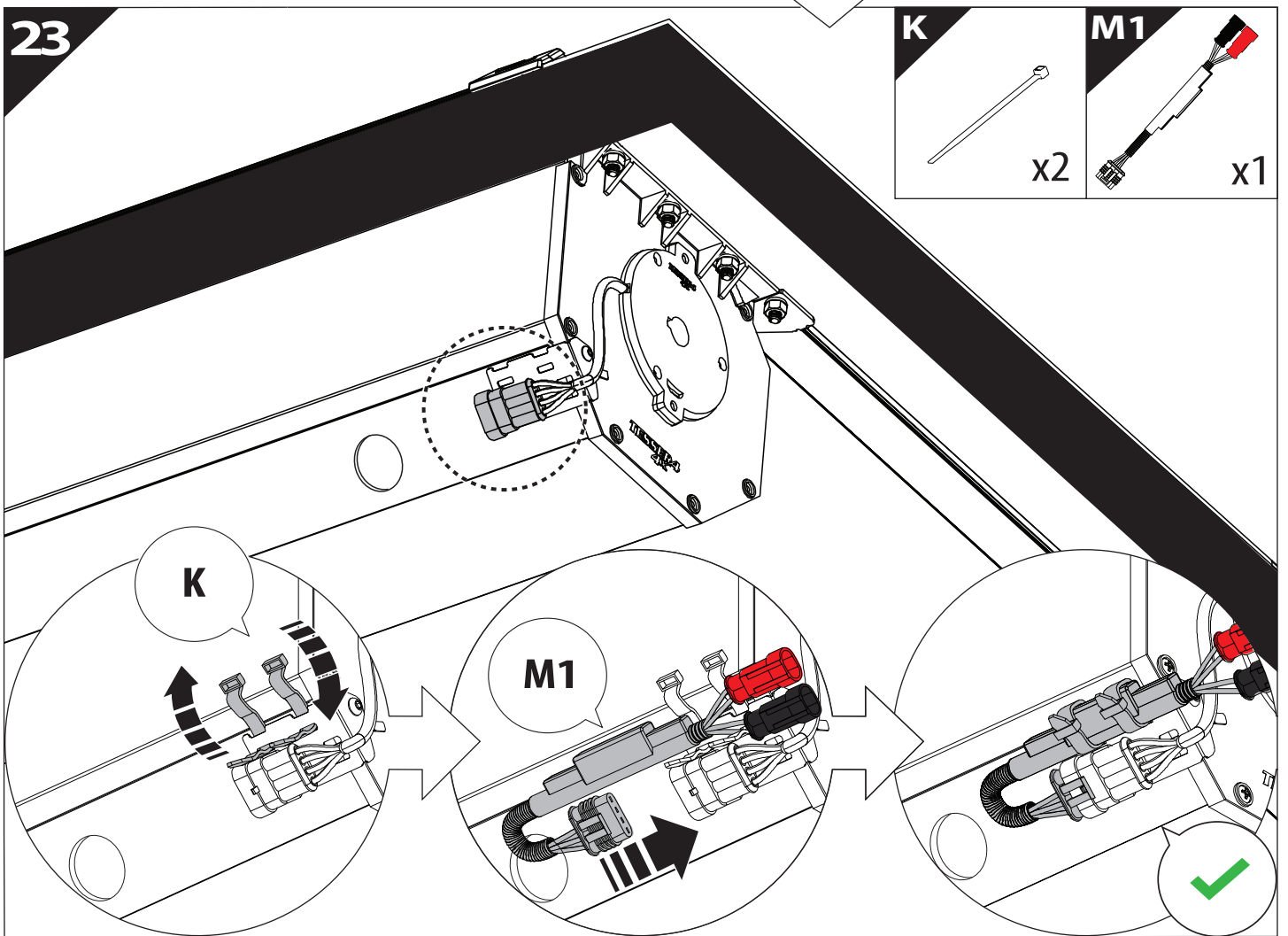
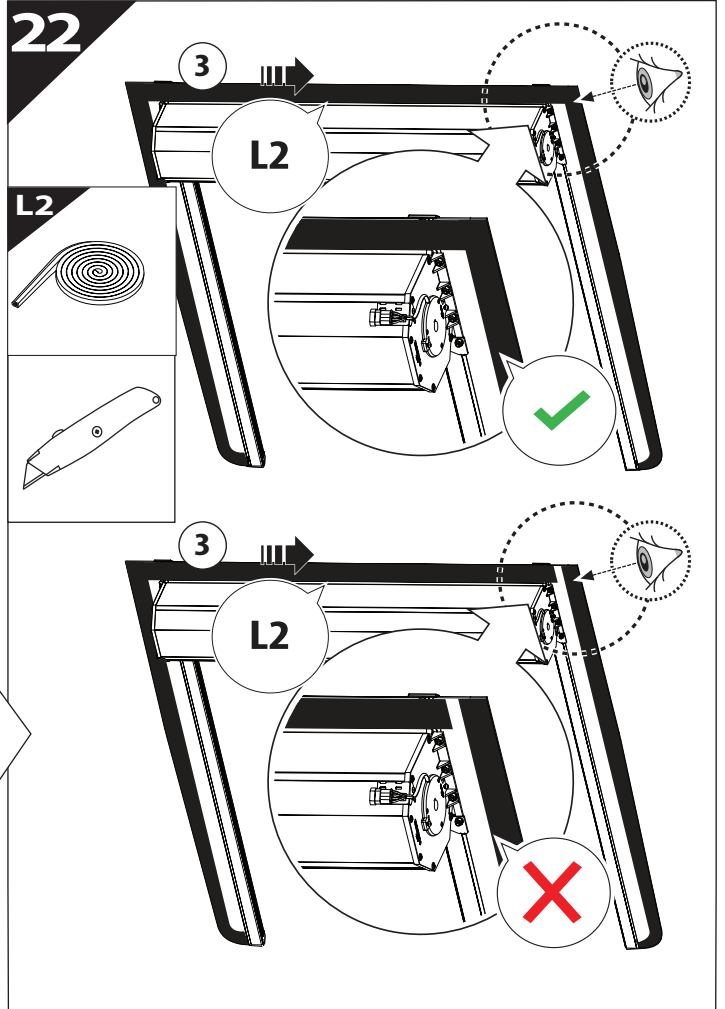
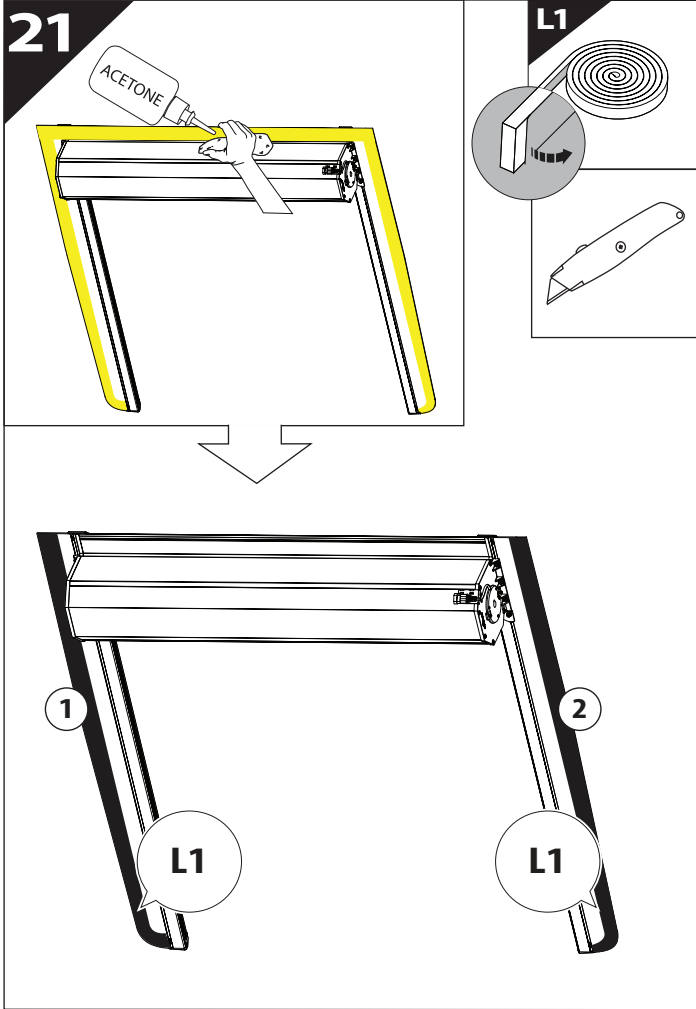
| CAR                   | TESSERA ROLL+ |
|-----------------------|---------------|
| BEAM: LIGHT SIGNAL ↔  |               |
| BRAKE: LIGHT SIGNAL ↔ |               |

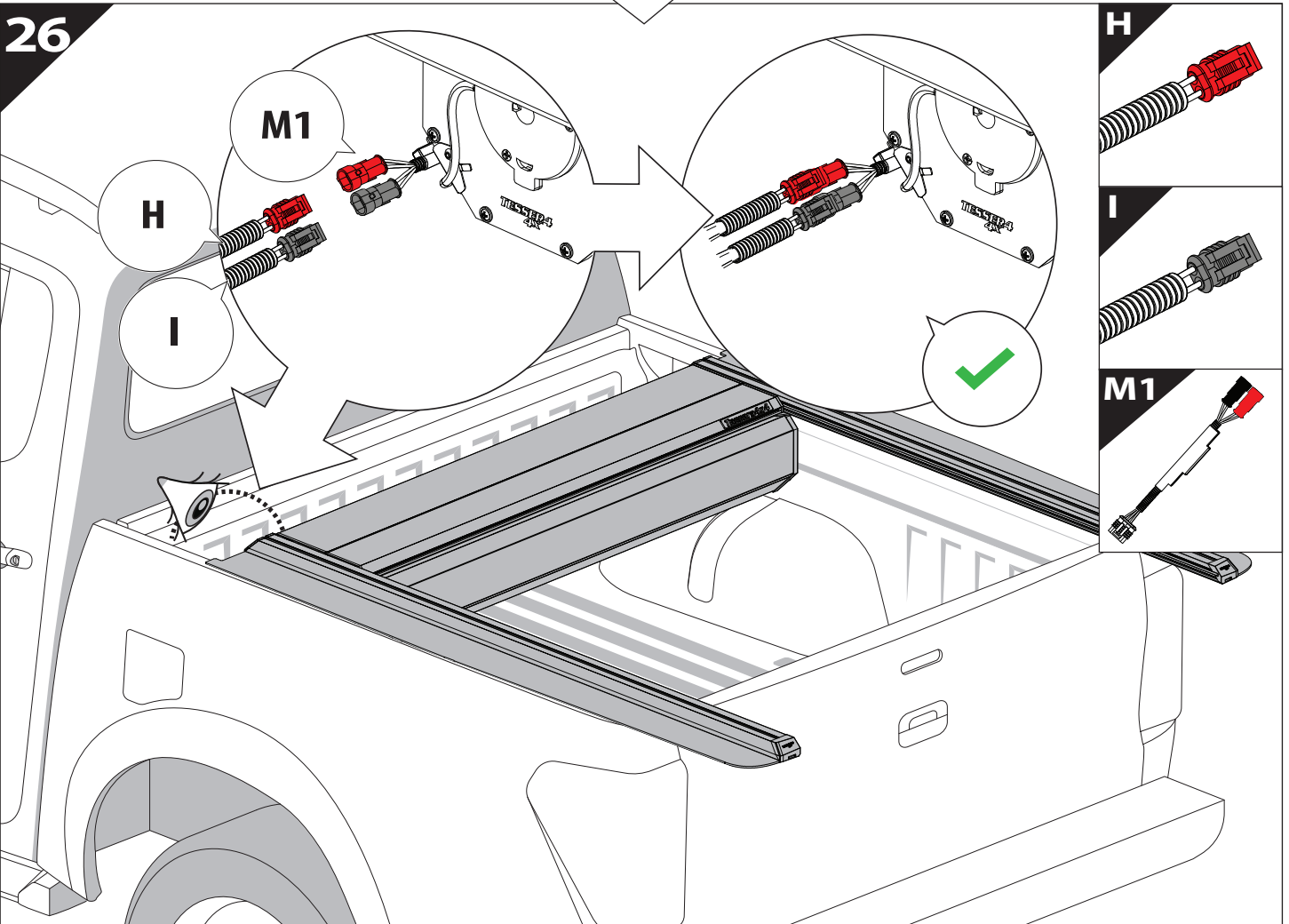
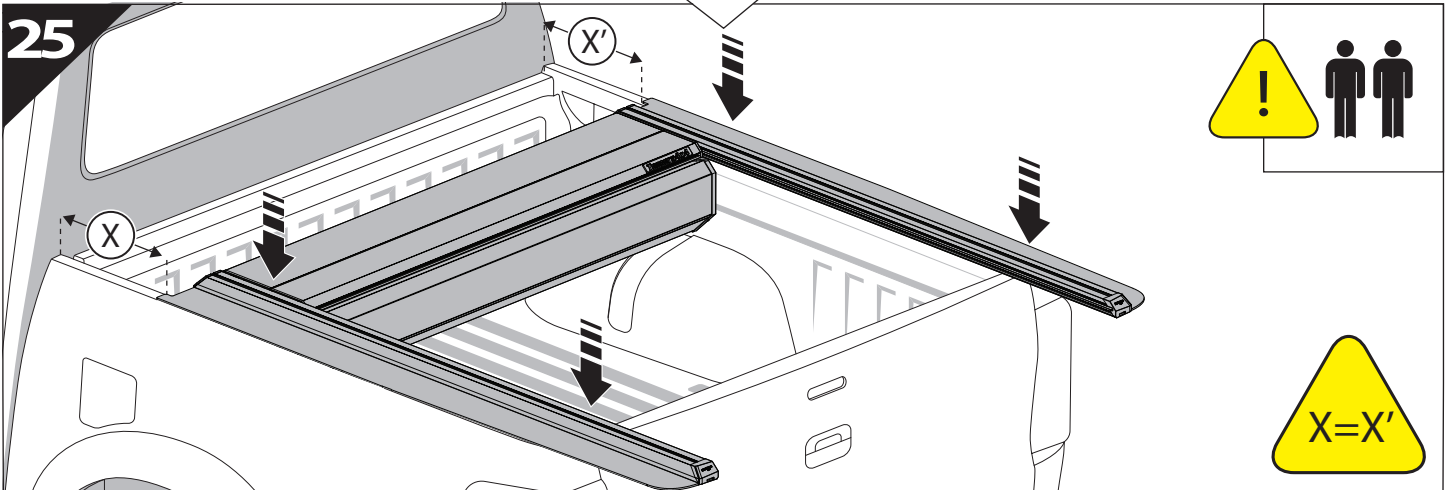
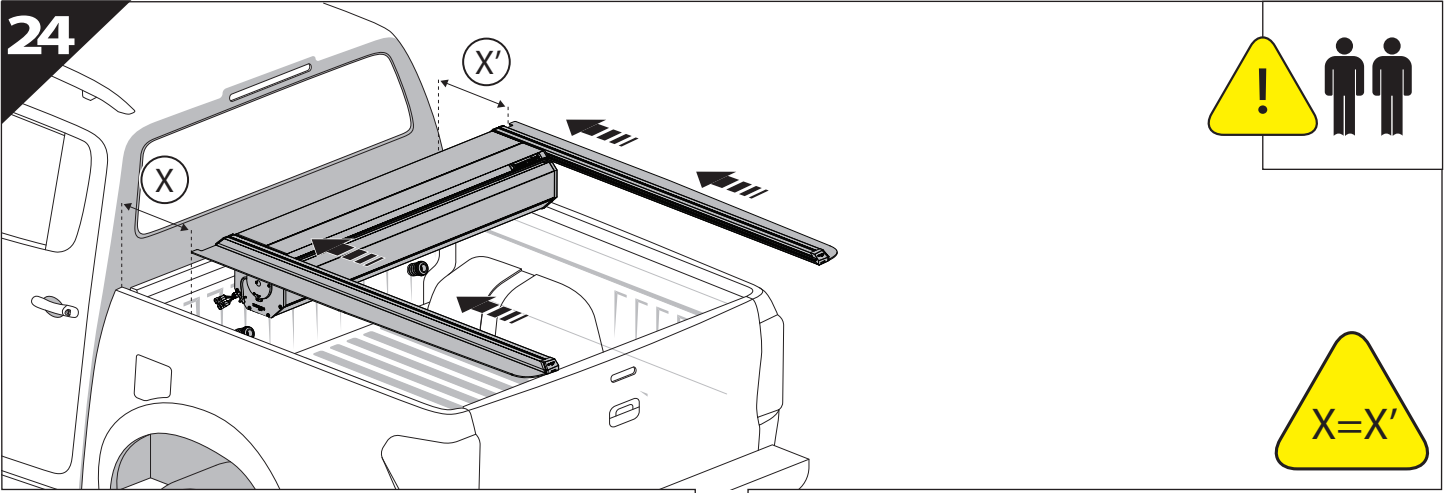


**CAUTION: CONSULT A CERTIFIED AUTO MECHANIC OR AUTOMOTIVE ELECTRICIAN TO IDENTIFY THE CORRECT WIRING CABLES FOR BEAM AND BRAKE SIGNALS BEFORE MAKING ANY CONNECTIONS.**

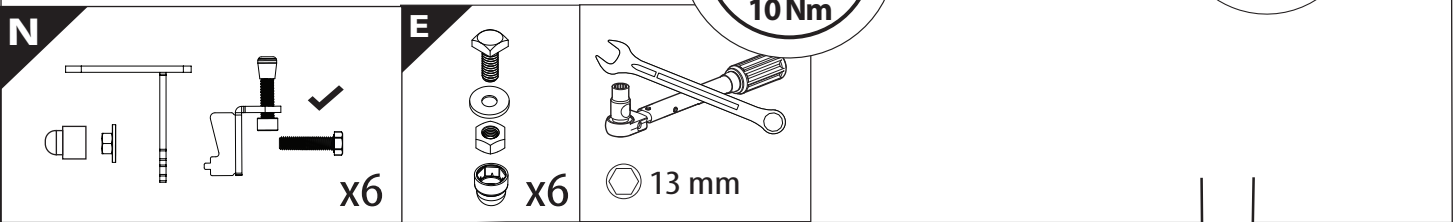
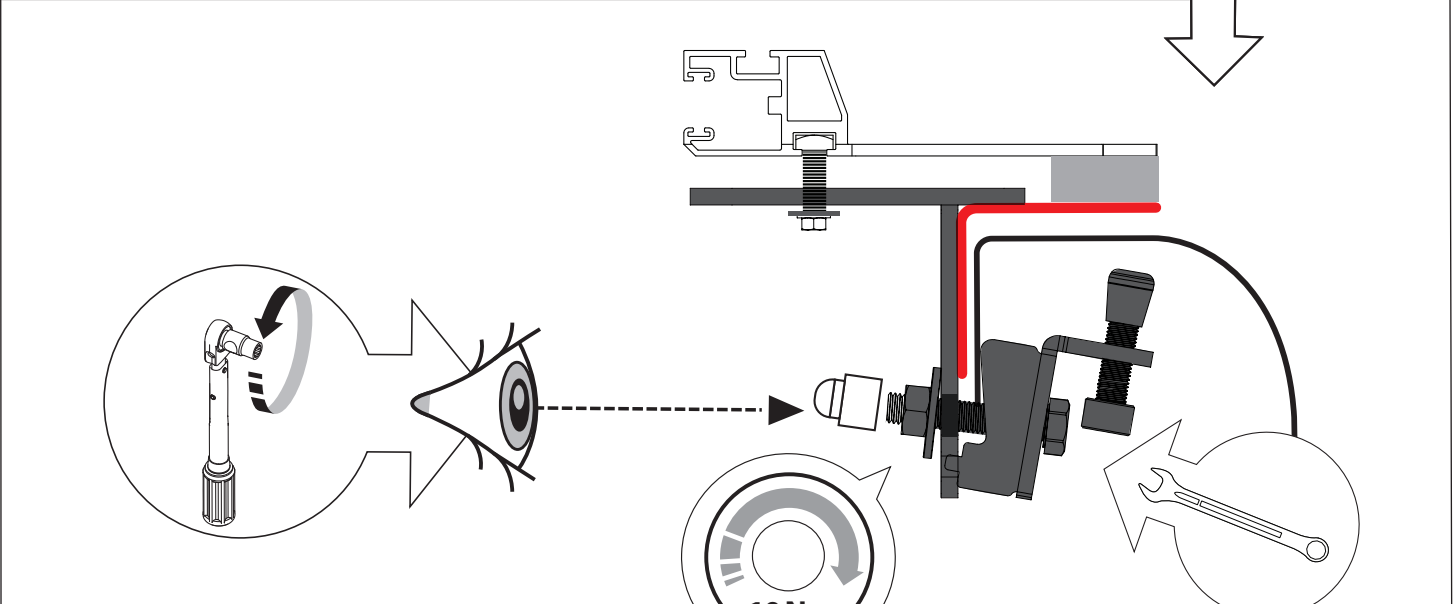
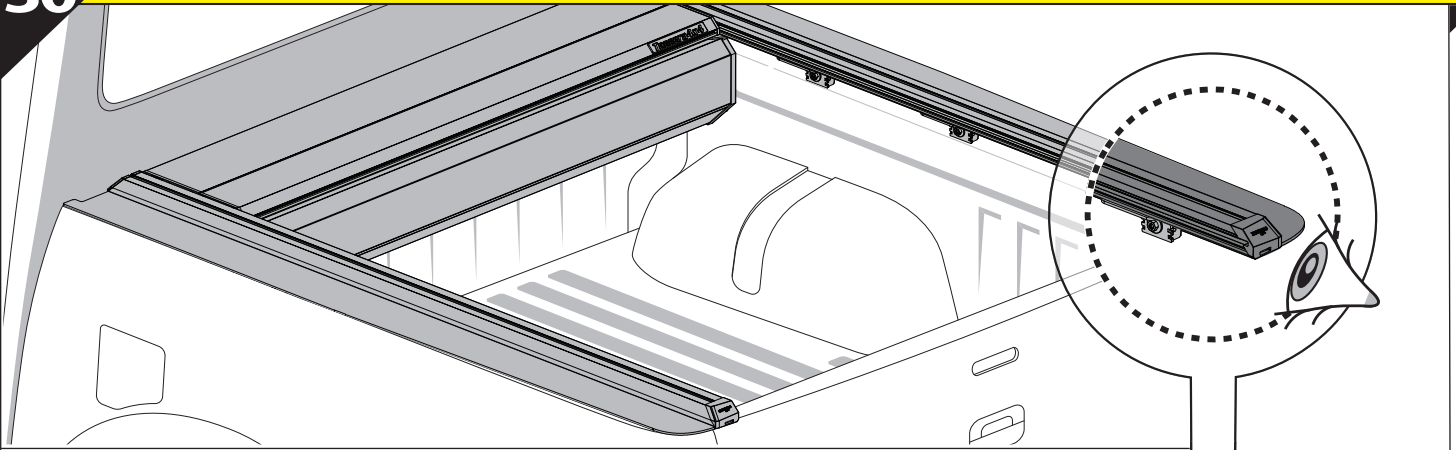
20



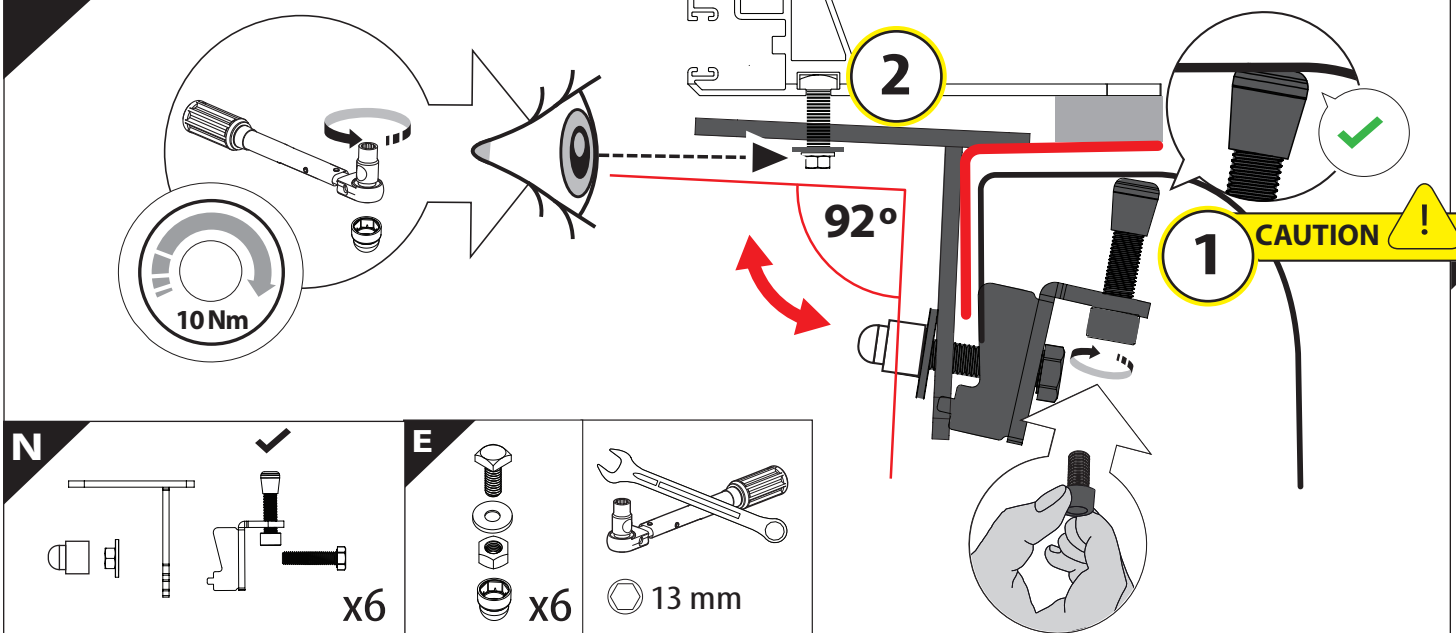


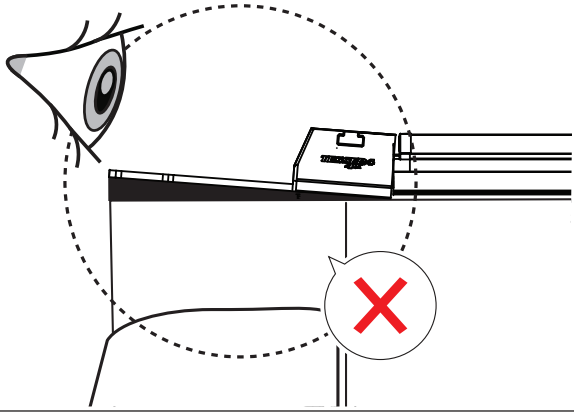
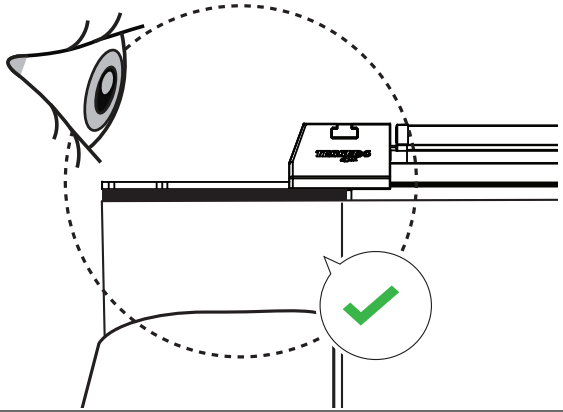
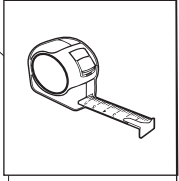
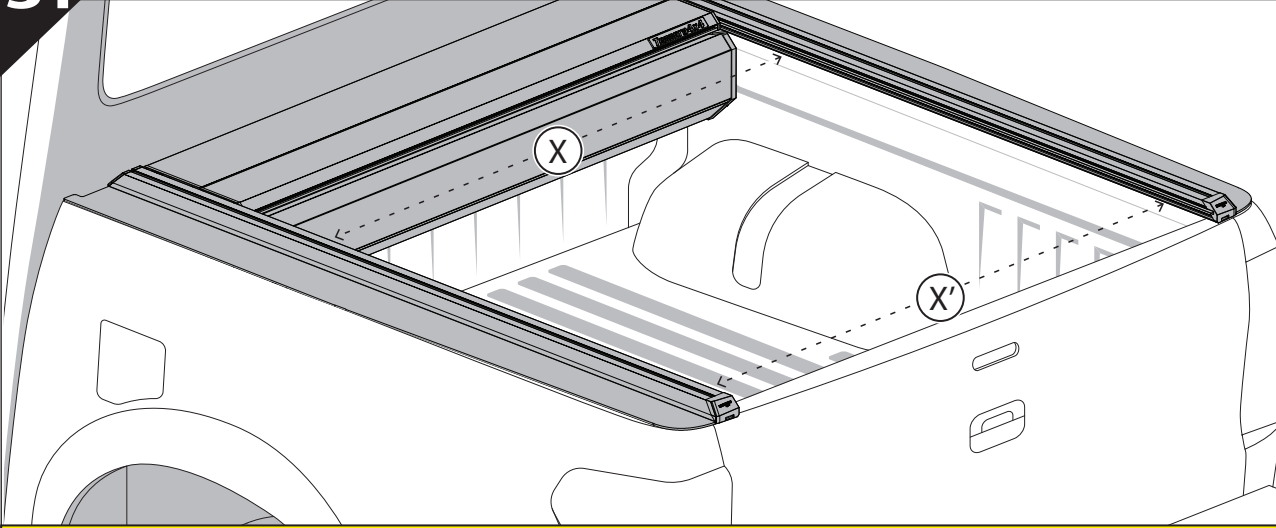




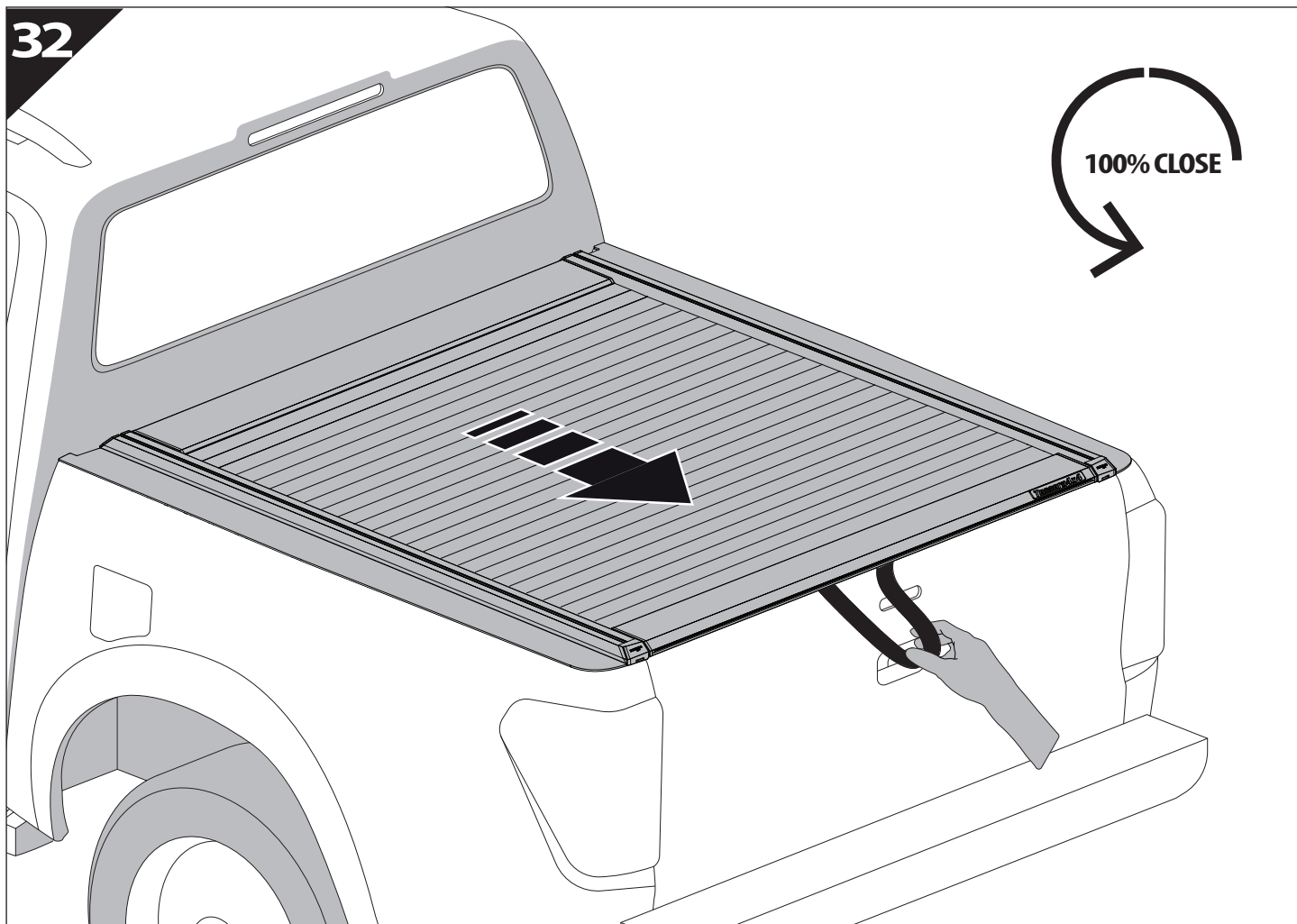


30.1

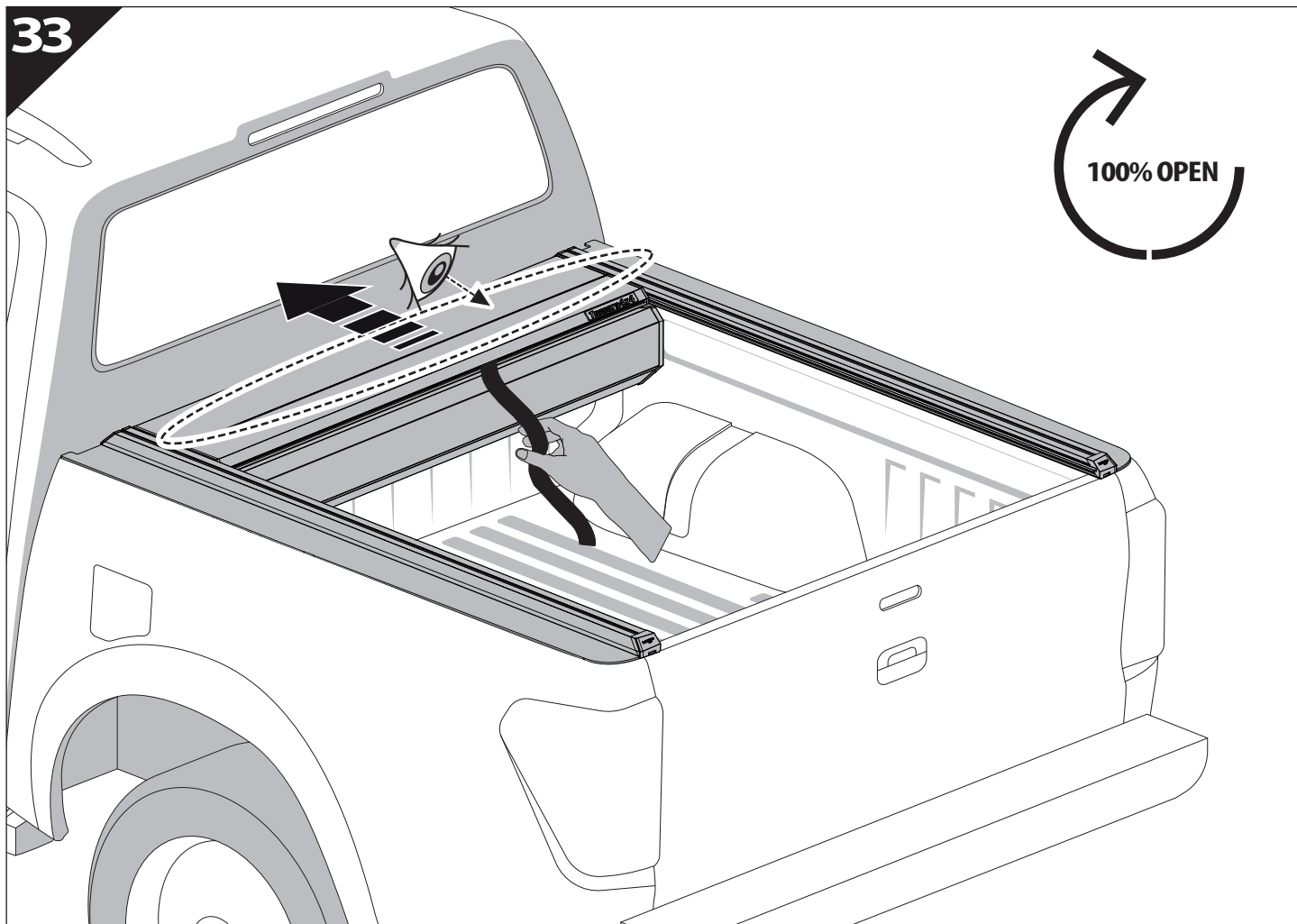




32



33







**GR:** Οδηγίες Εγκατάστασης  
**GB:** Installation manual  
**SF:** Asennusohje  
**F:** Notice de montage  
**PL:** Instrukcja montażu  
**NL:** Installatie-instructies  
**TR:** Montaj Talimatı  
**S:** Monteringsanvisning  
**E:** Instrucciones de montaje

**H:** Szerelési utasítás  
**P:** Instruções de instalação  
**RUS:** Инструкция по установке  
**N:** Monteringsveiledning  
**D:** Einbauanleitung  
**CZ:** Návod k instalaci  
**I:** Istruzioni de montaggio  
**DK:** Monteringsvejledning  
**RO:** Instructiuni de instalare

Customer Service:

+30 (210) 5541161, +30 (210) 5541154 (08:00 - 16:00 EET)

Support department:

[info@gianso.gr](mailto:info@gianso.gr)

Website:

[www.tessera4x4.com](http://www.tessera4x4.com)

Address:

19.5 km of National road Athens-Korinthos (Elefsina) Greece, P.C: 19240