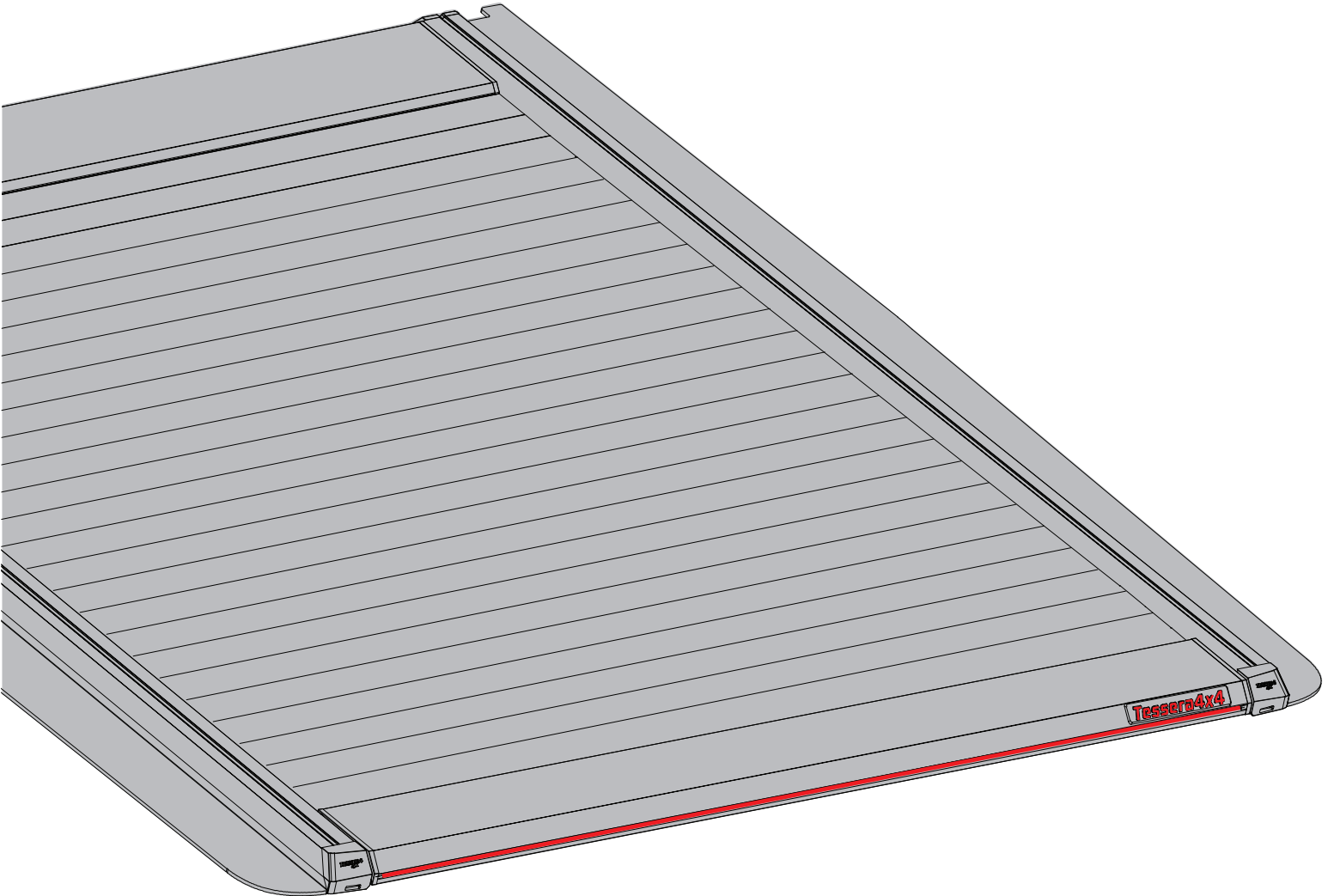


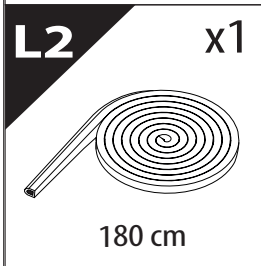
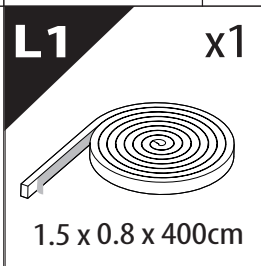
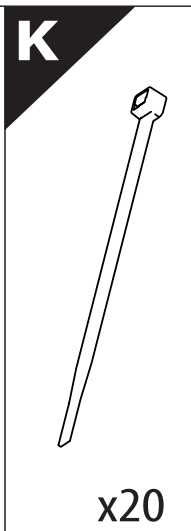
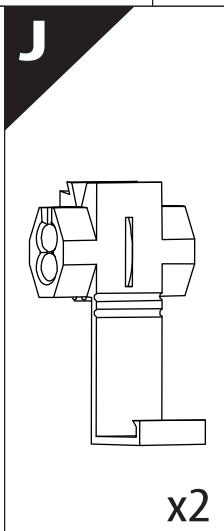
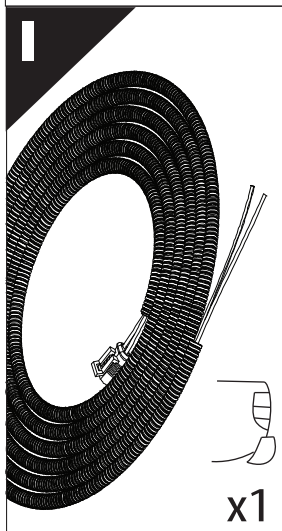
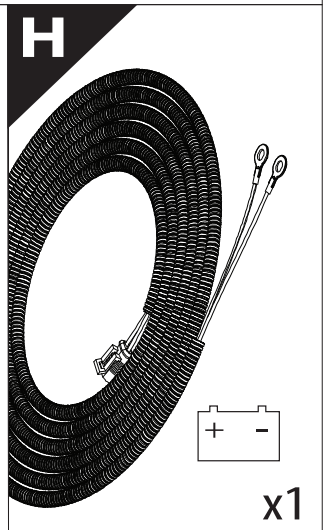
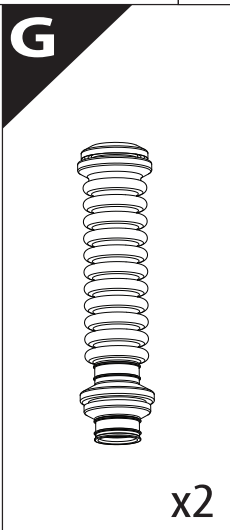
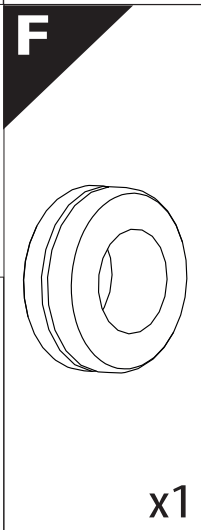
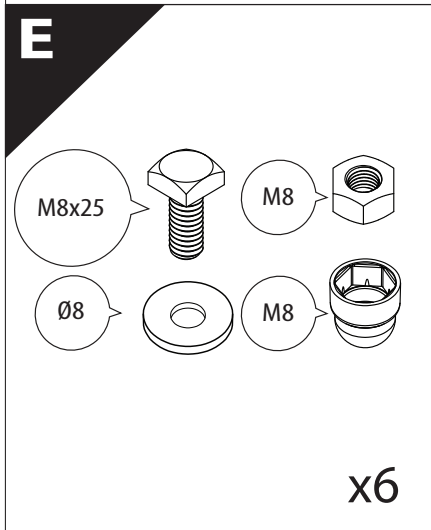
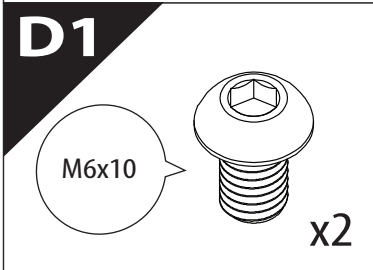
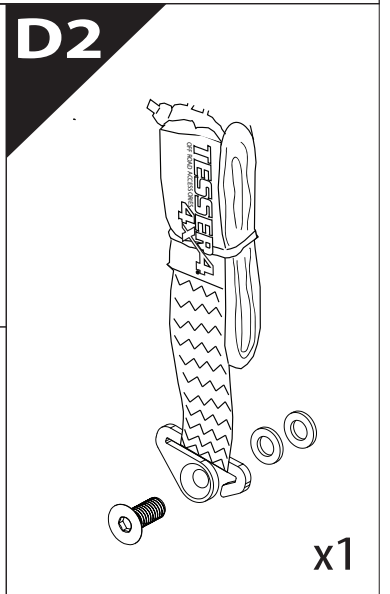
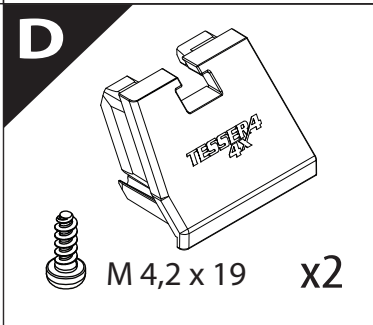
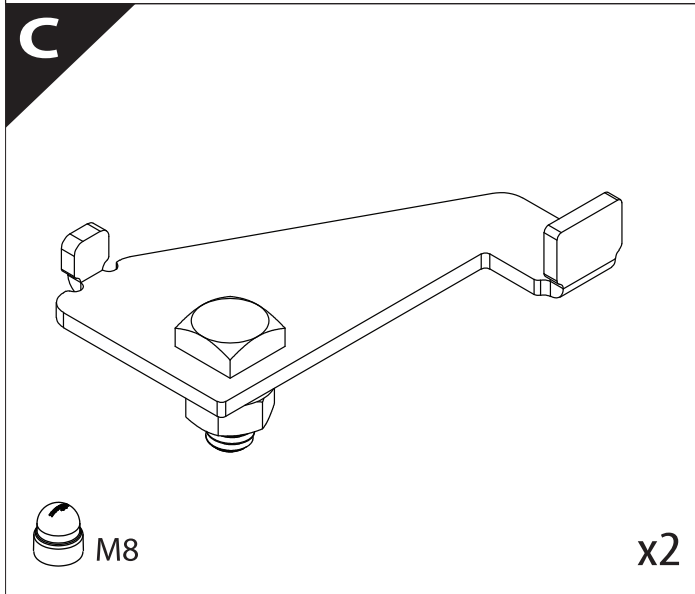
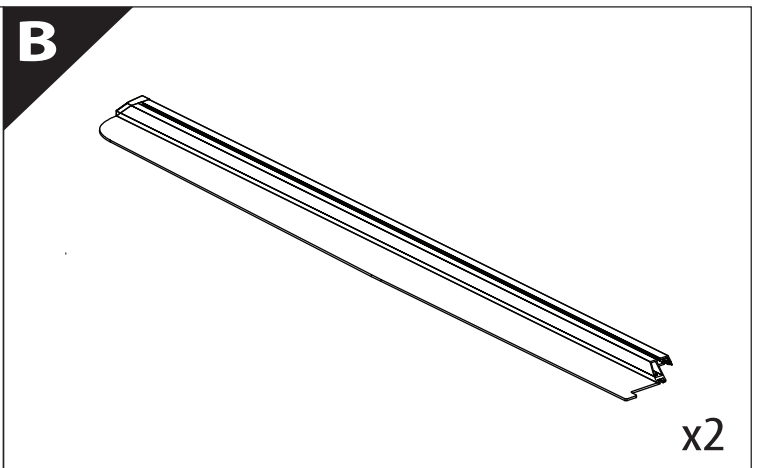
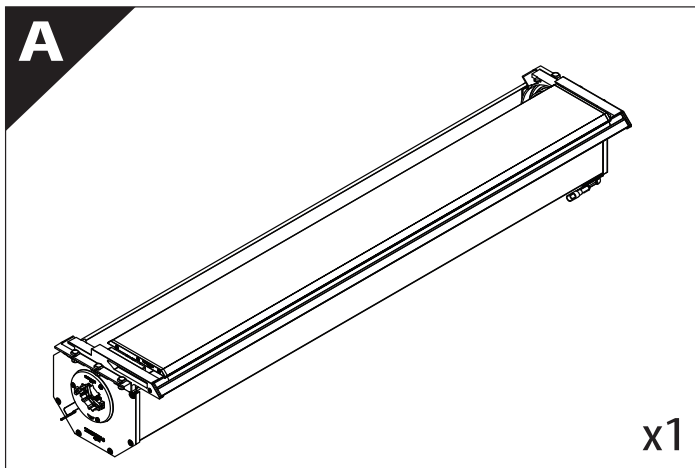
Tessera Roll+

Basic Version + ⚡ E-KIT

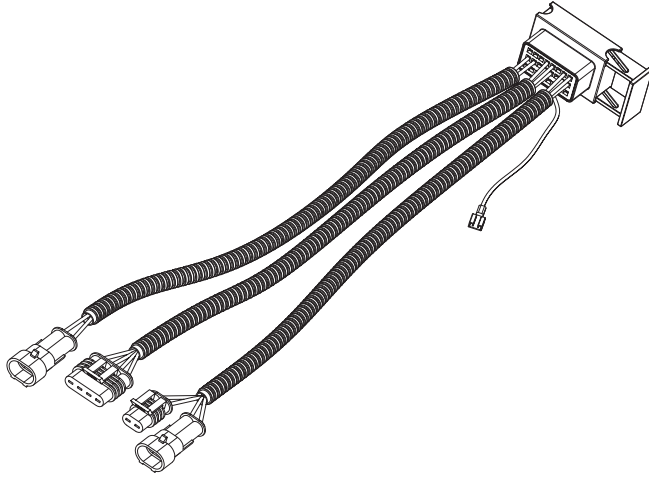


Installation Manual

PART NUMBER(S)	Model Year
TESS 1431 ROLL+ E-KIT	Toyota Tundra 2014 ->2021 & 2022+ (no c - channels)
TESS 14311 ROLL+ E-KIT	
Cab(s)	Installation Time / Weight
5.5 Feet & 6.5 Feet	40-60 minutes / 53-57 kg

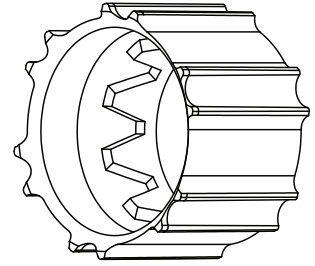


M2



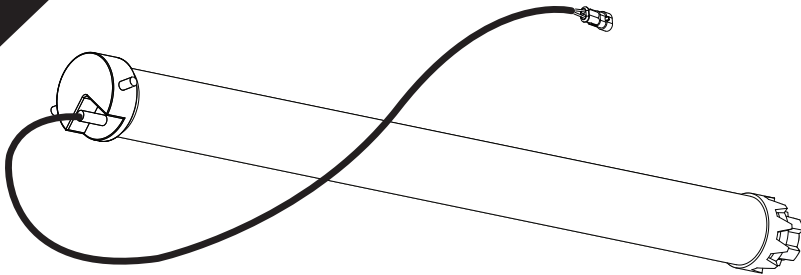
x1

N



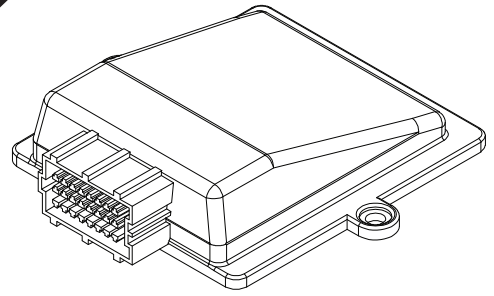
x1

O



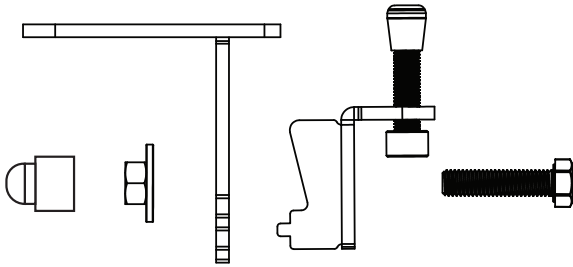
x1

P



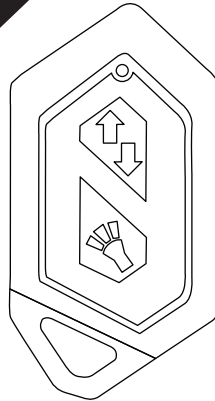
x1

Q



x6

R

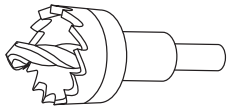


x2

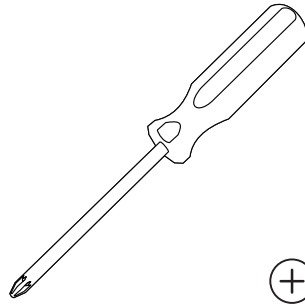
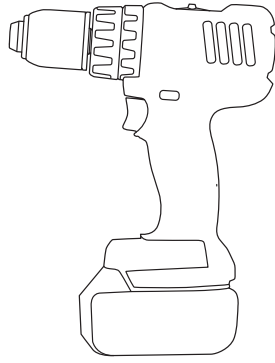
S



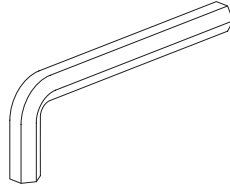
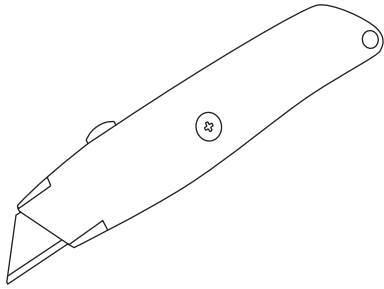
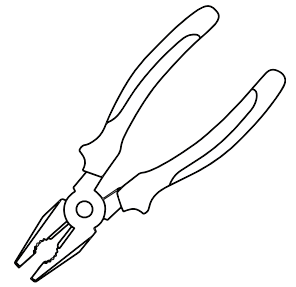
x2



Ø 25 mm

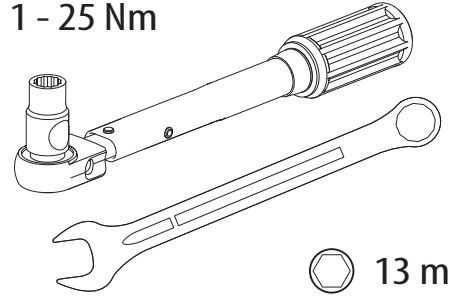


+



4 mm

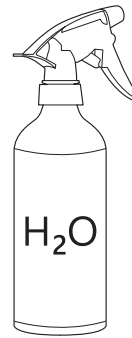
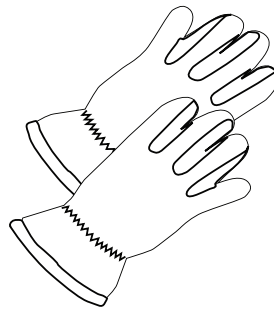
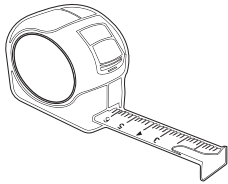
1 - 25 Nm



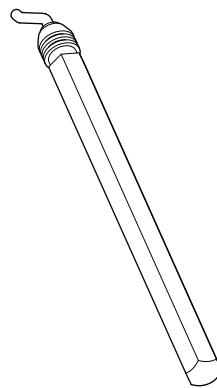
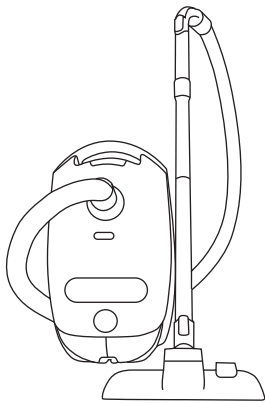
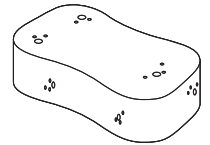
13 mm



ACETONE



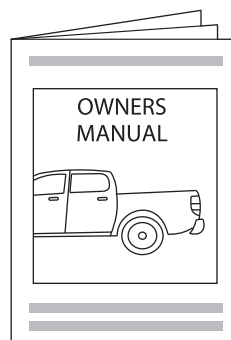
H₂O



ANTI-RUST



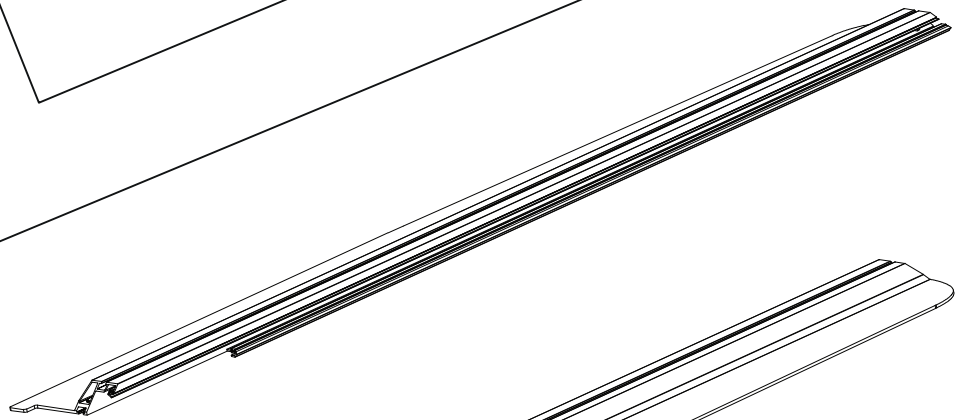
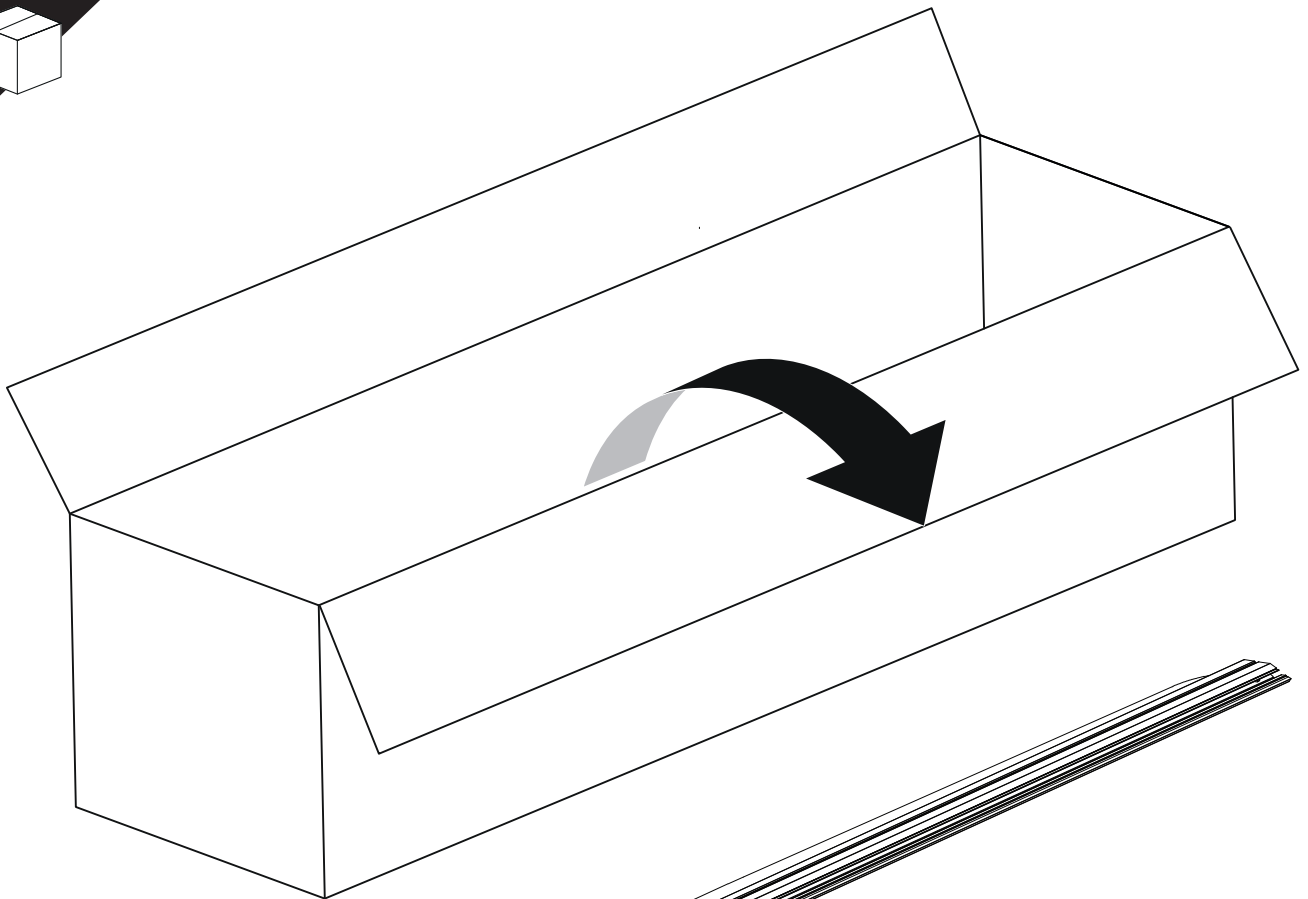
INSTALLATION
MANUAL
+E-KIT



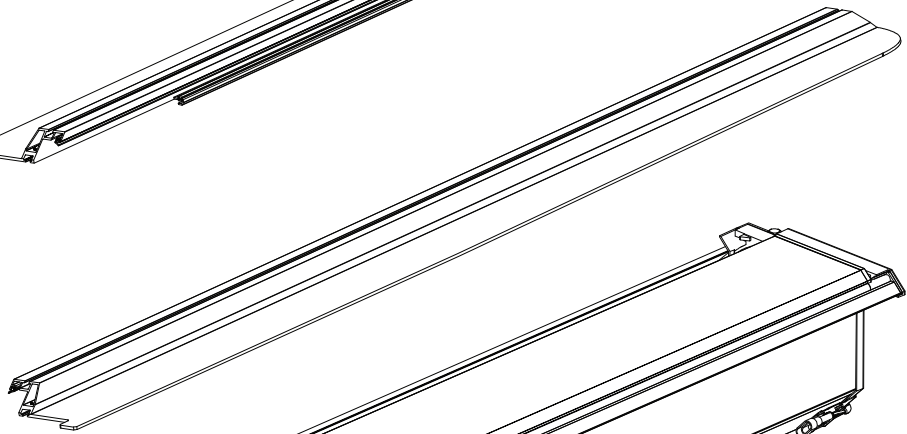
OWNERS
MANUAL



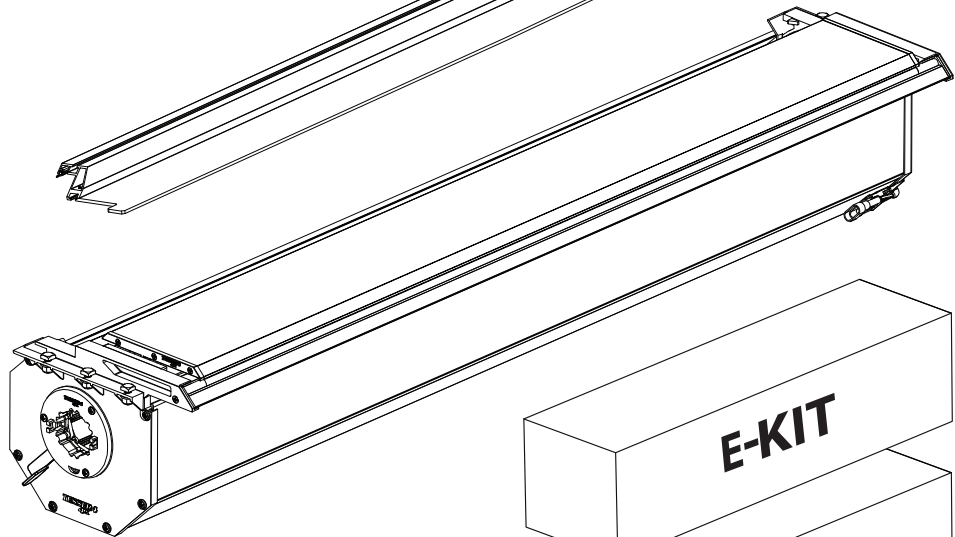
x1



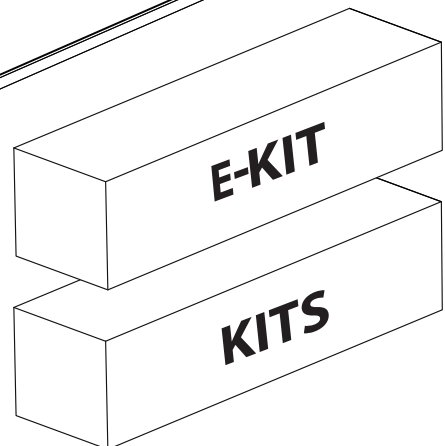
B



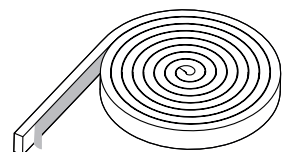
A

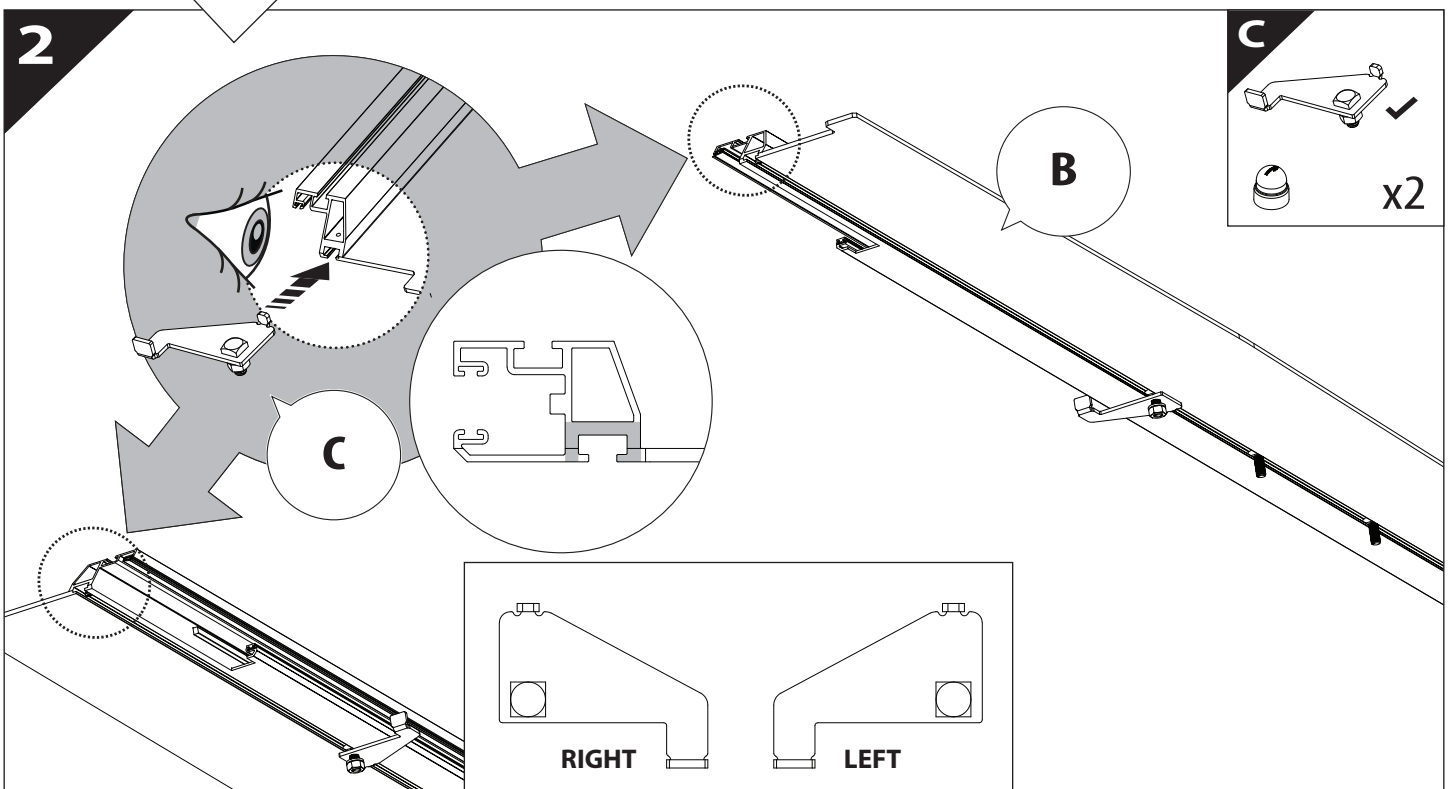
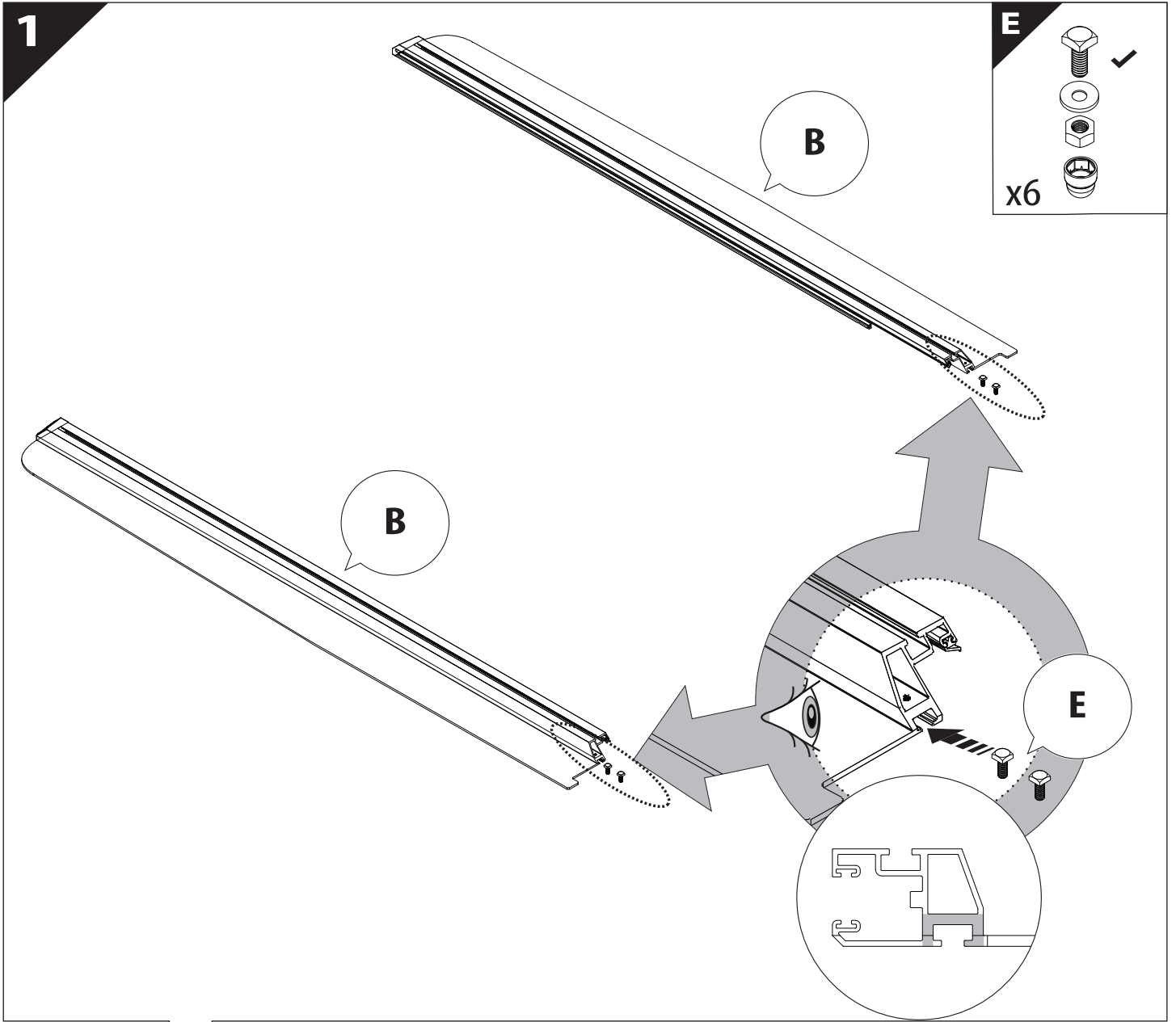


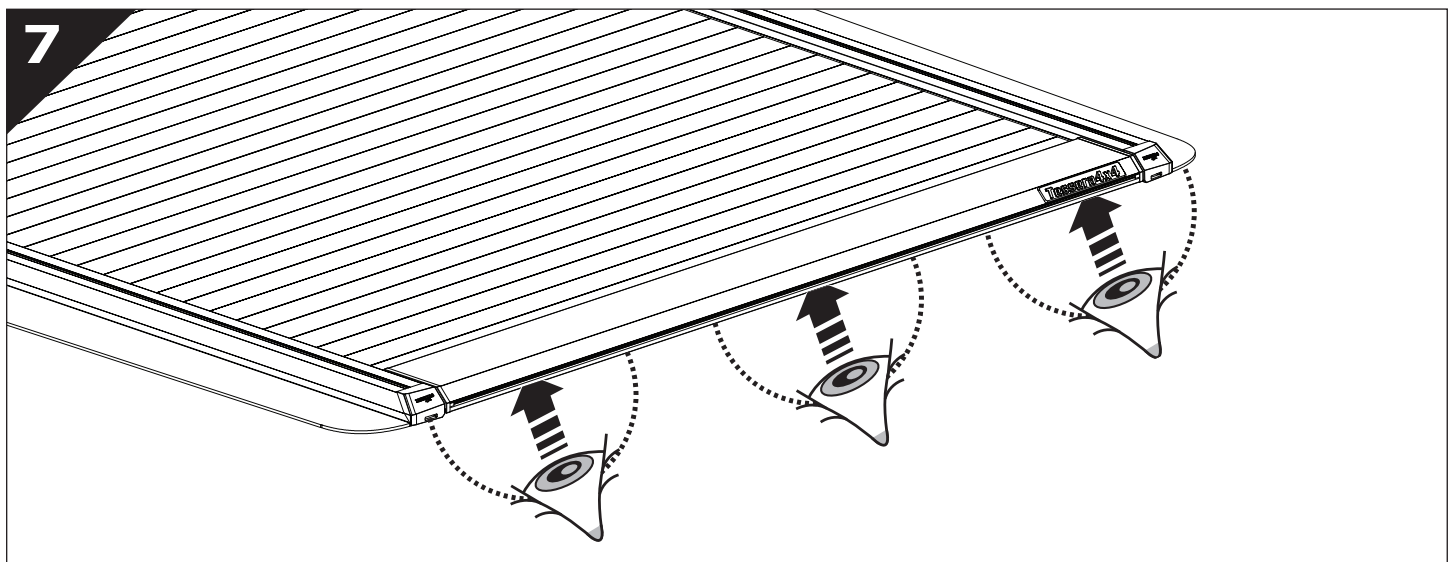
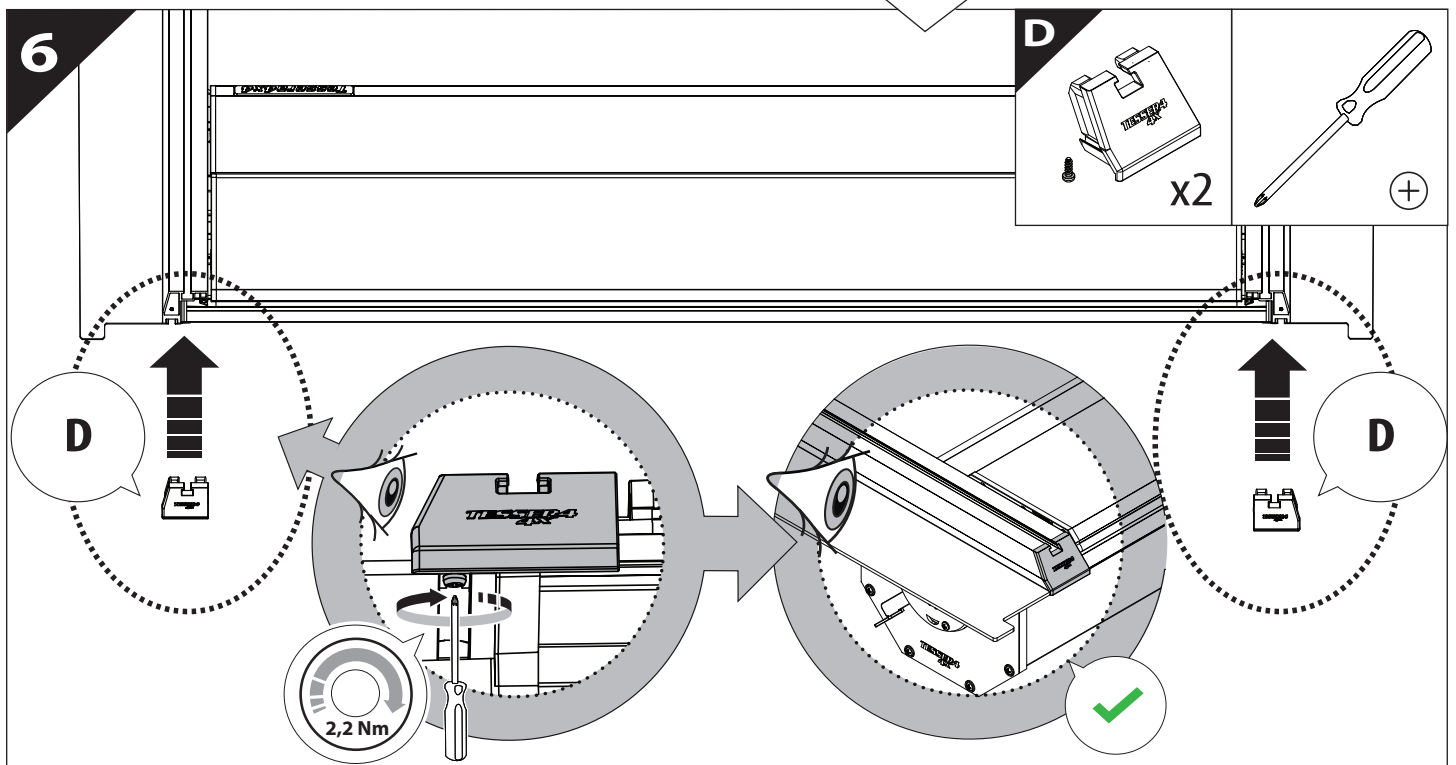
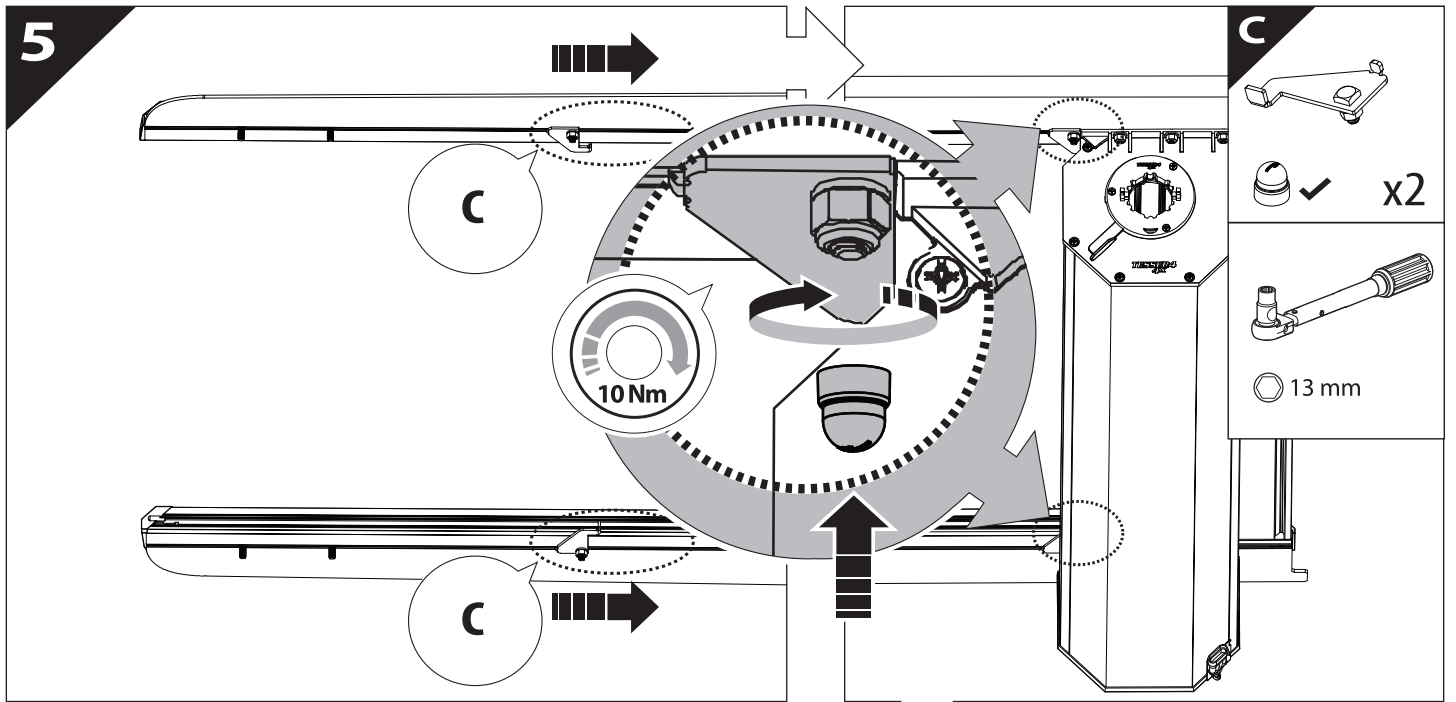
KITS



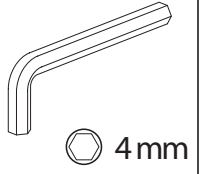
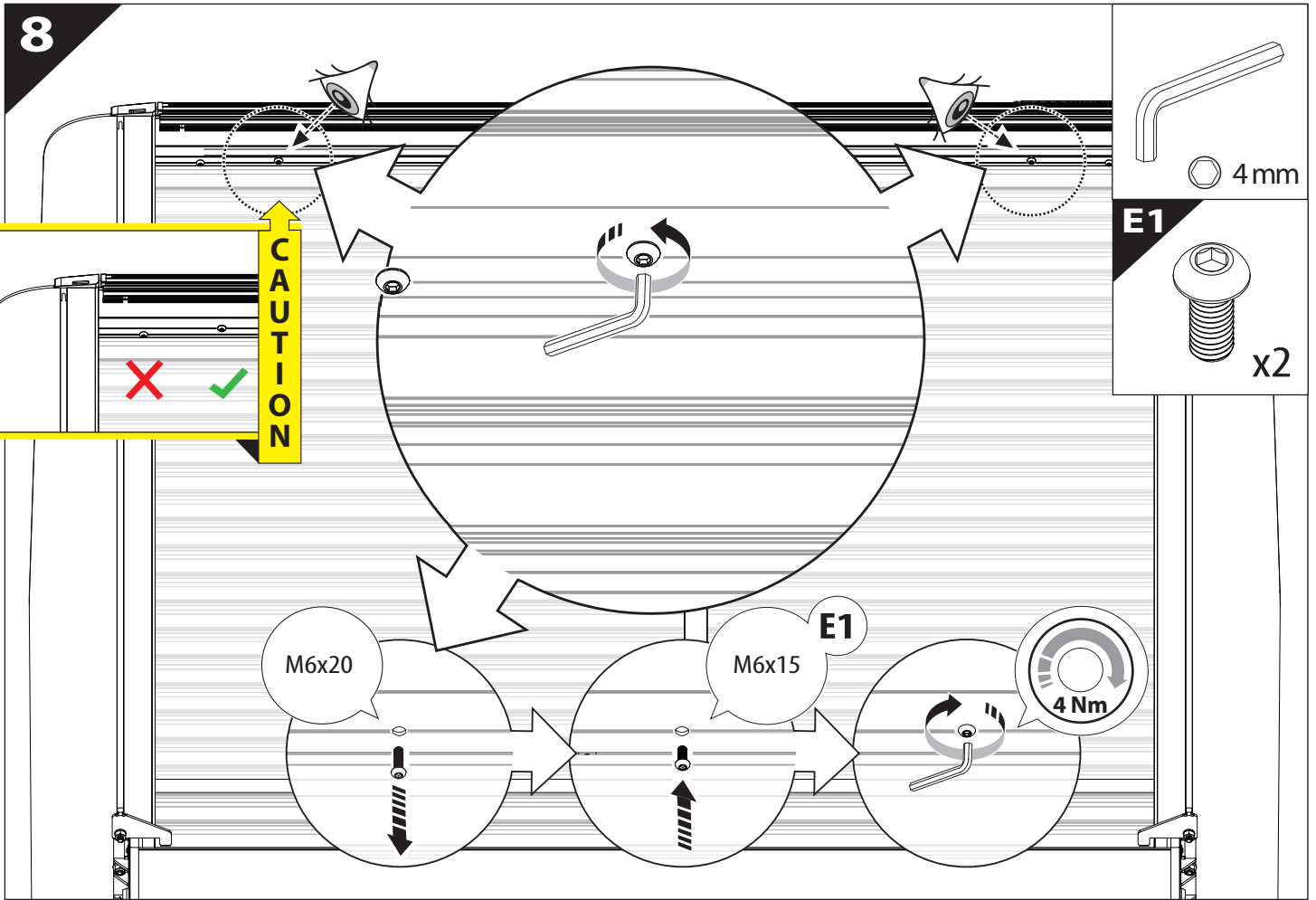
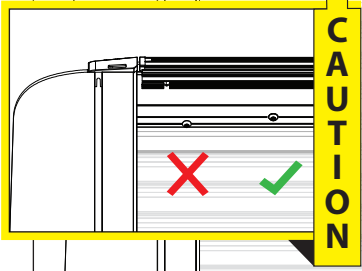
L



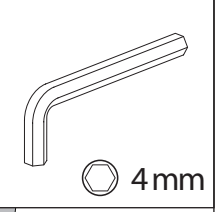
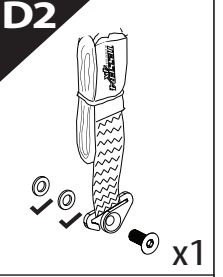
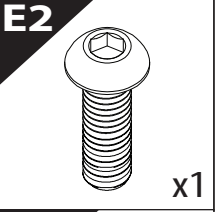
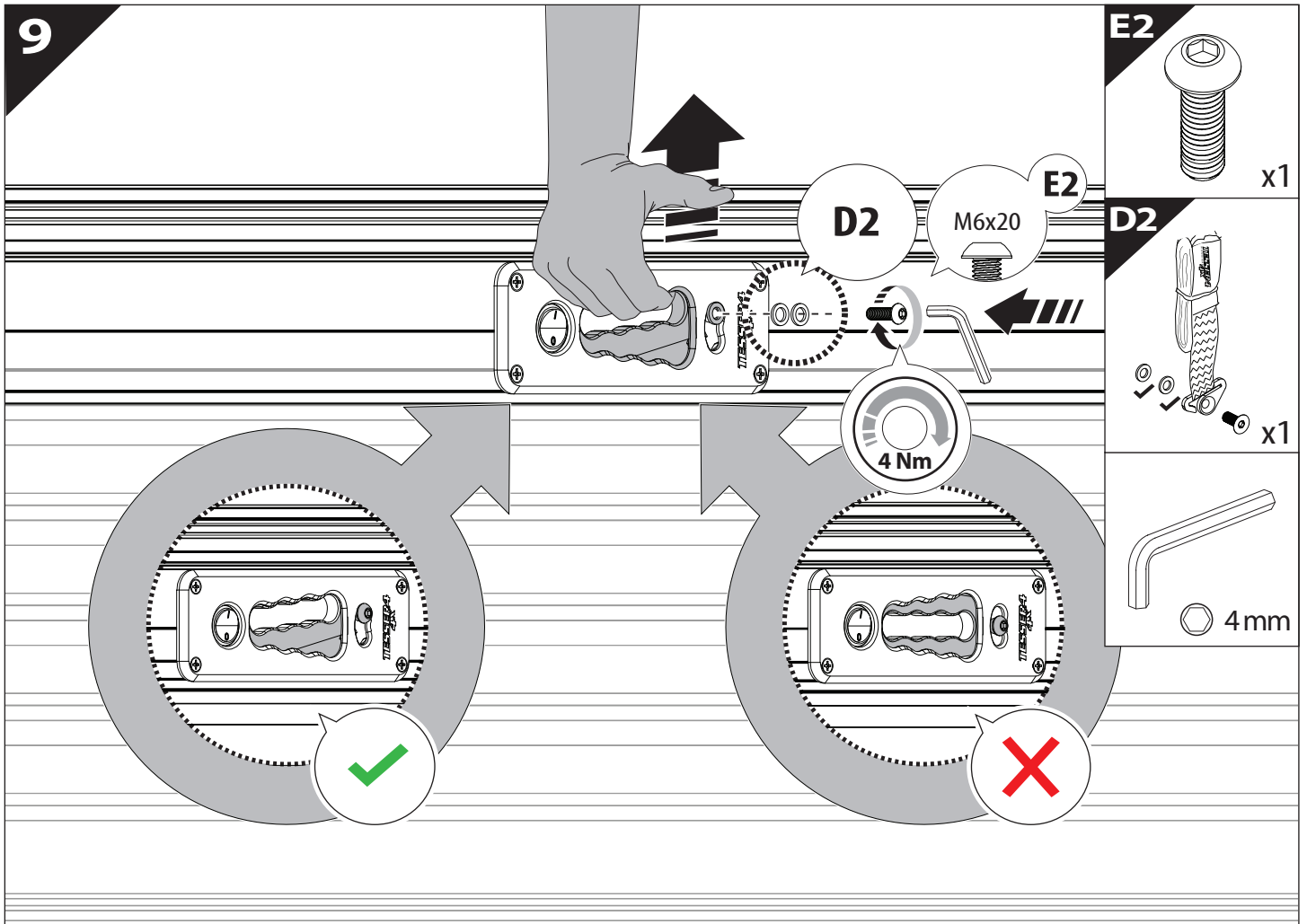


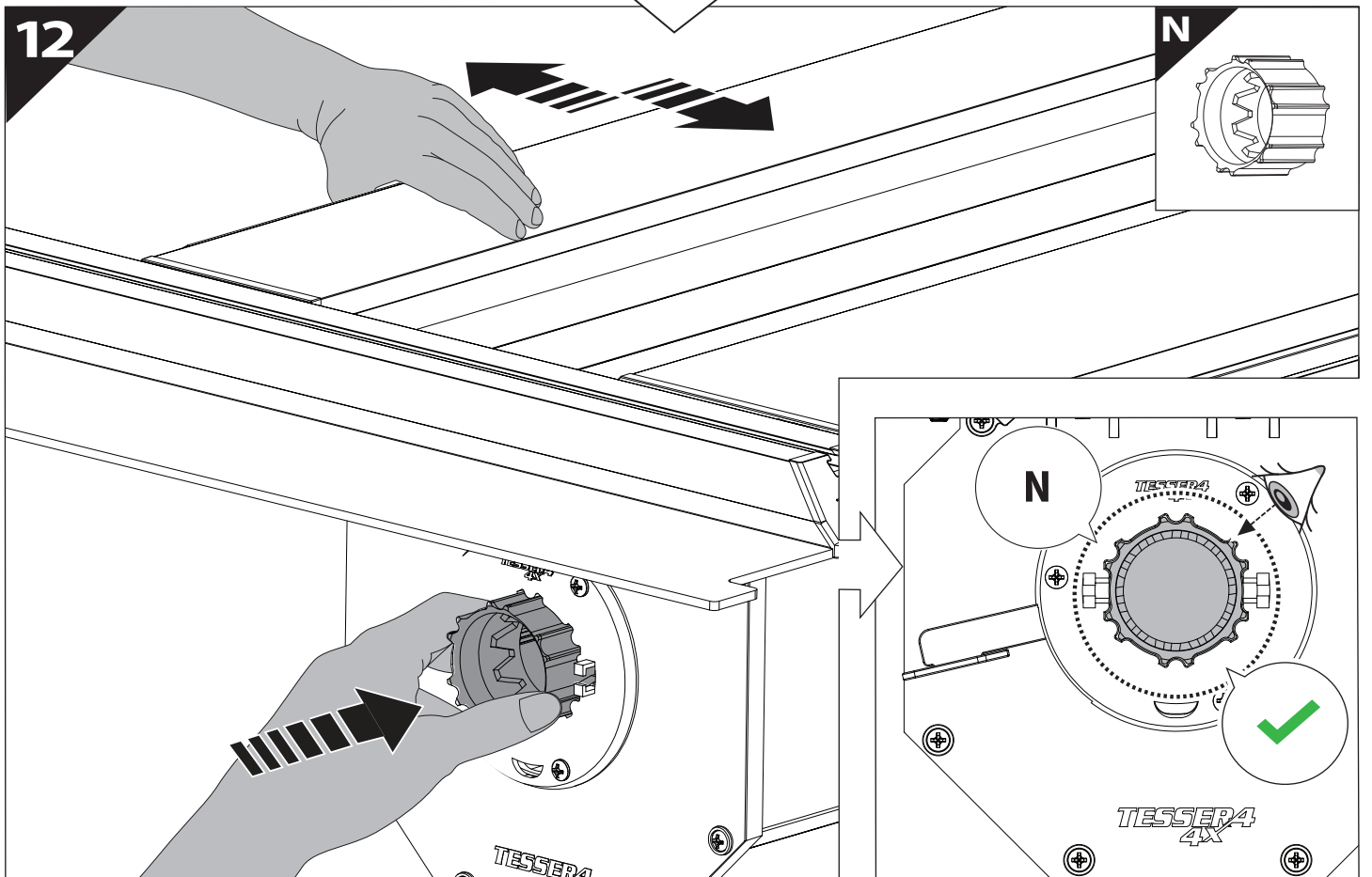
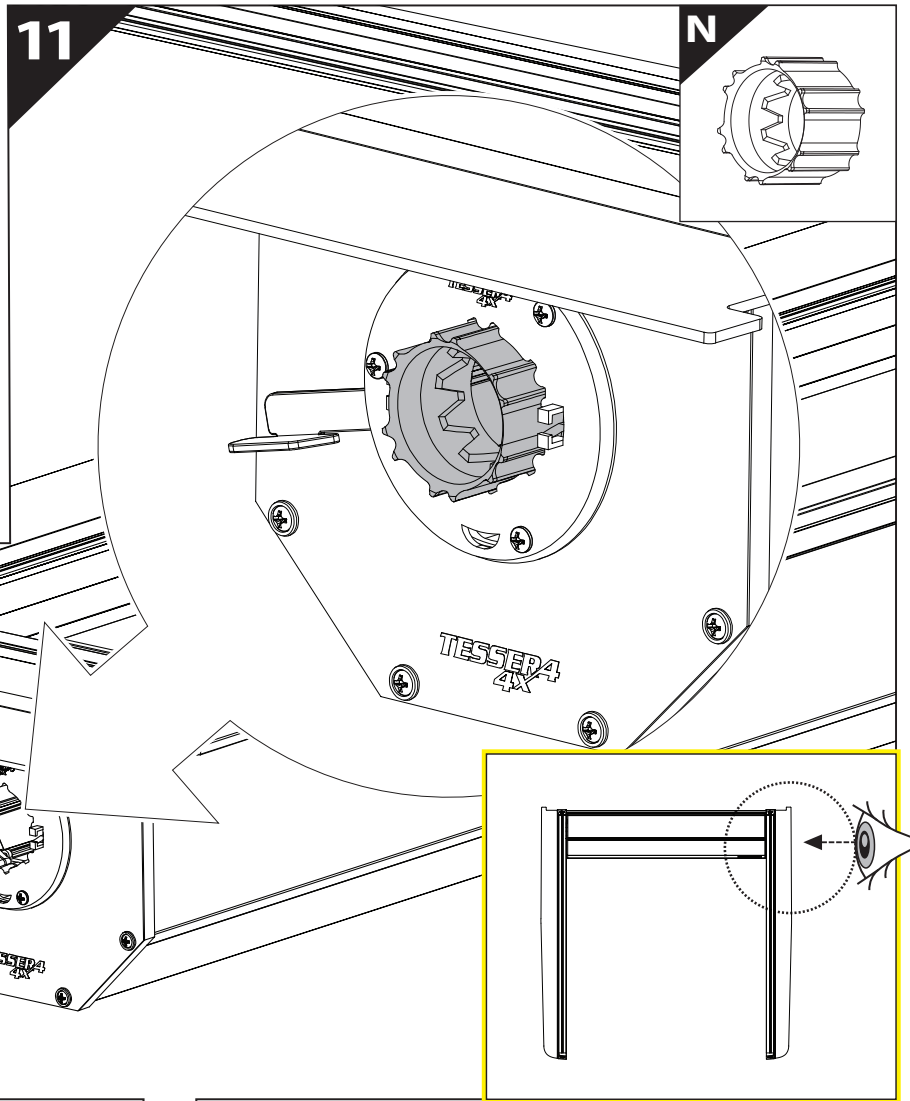
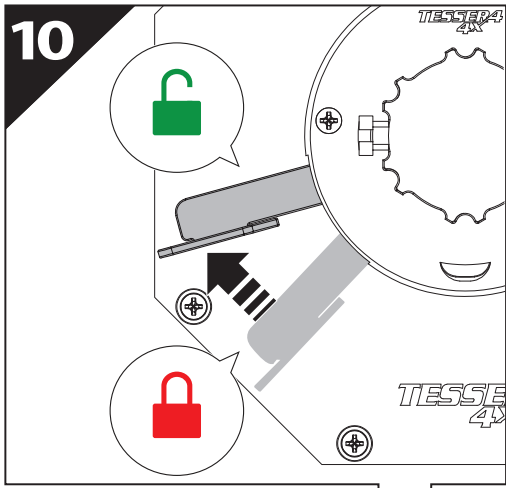


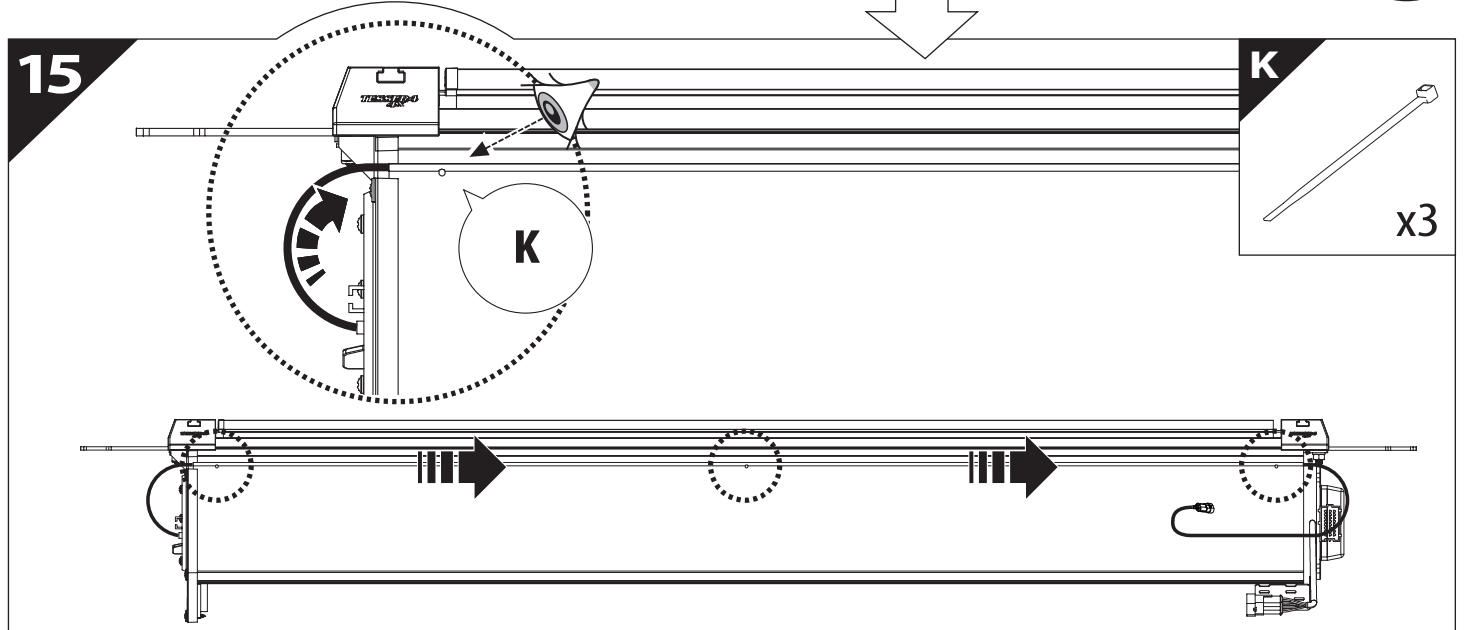
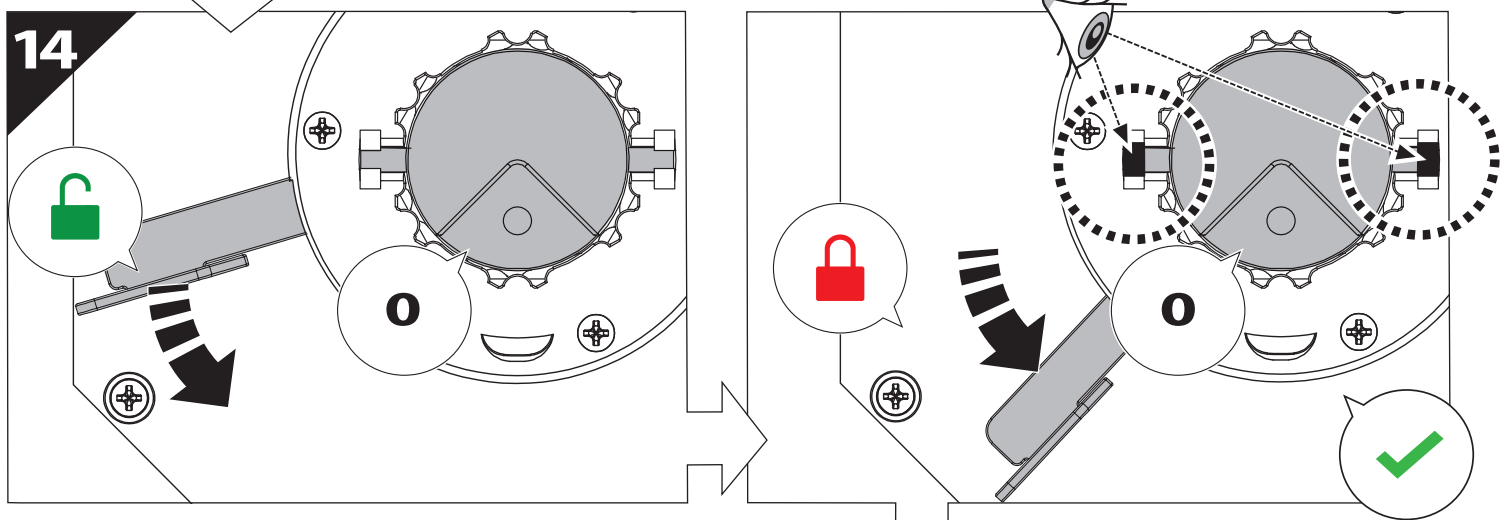
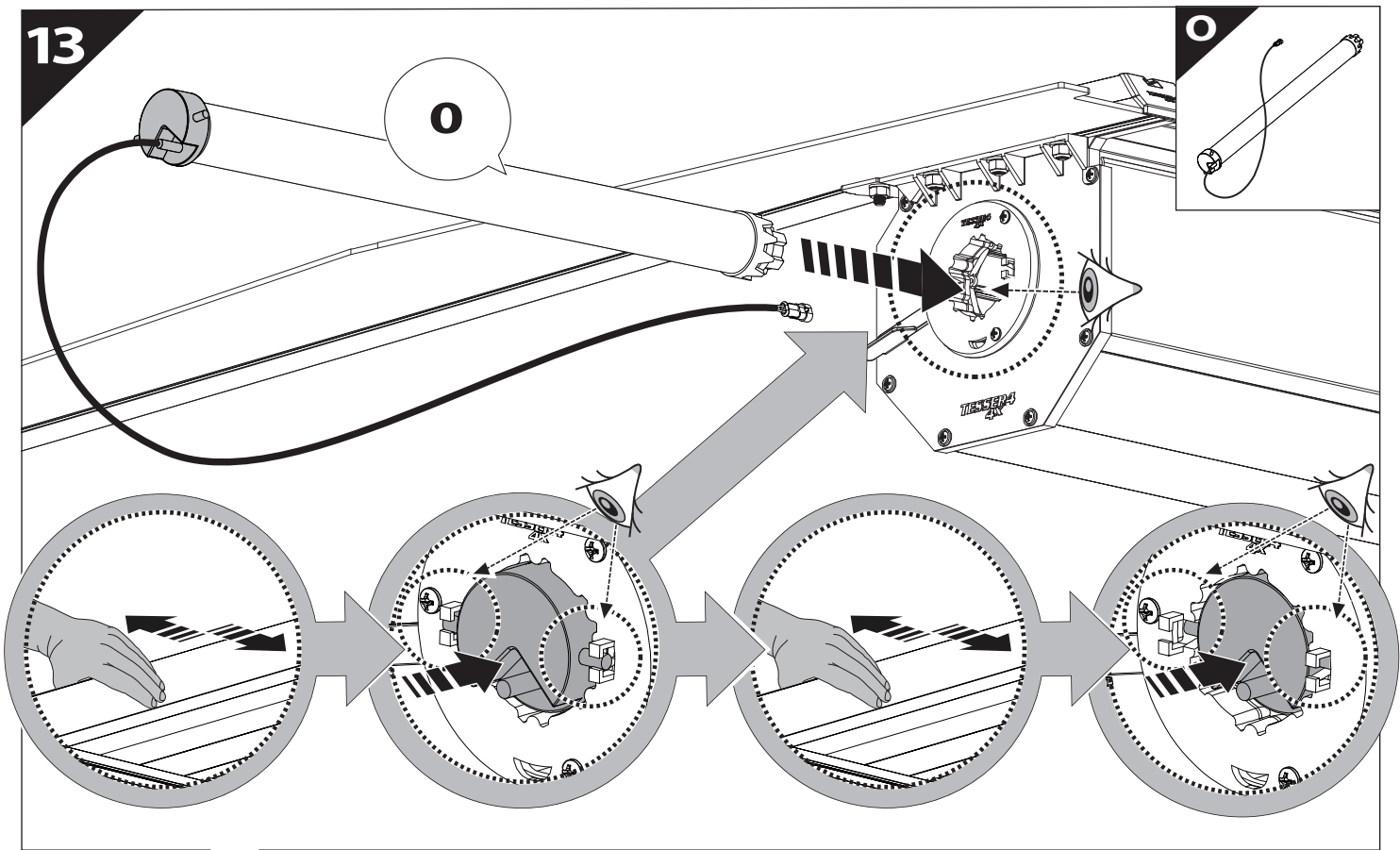
8

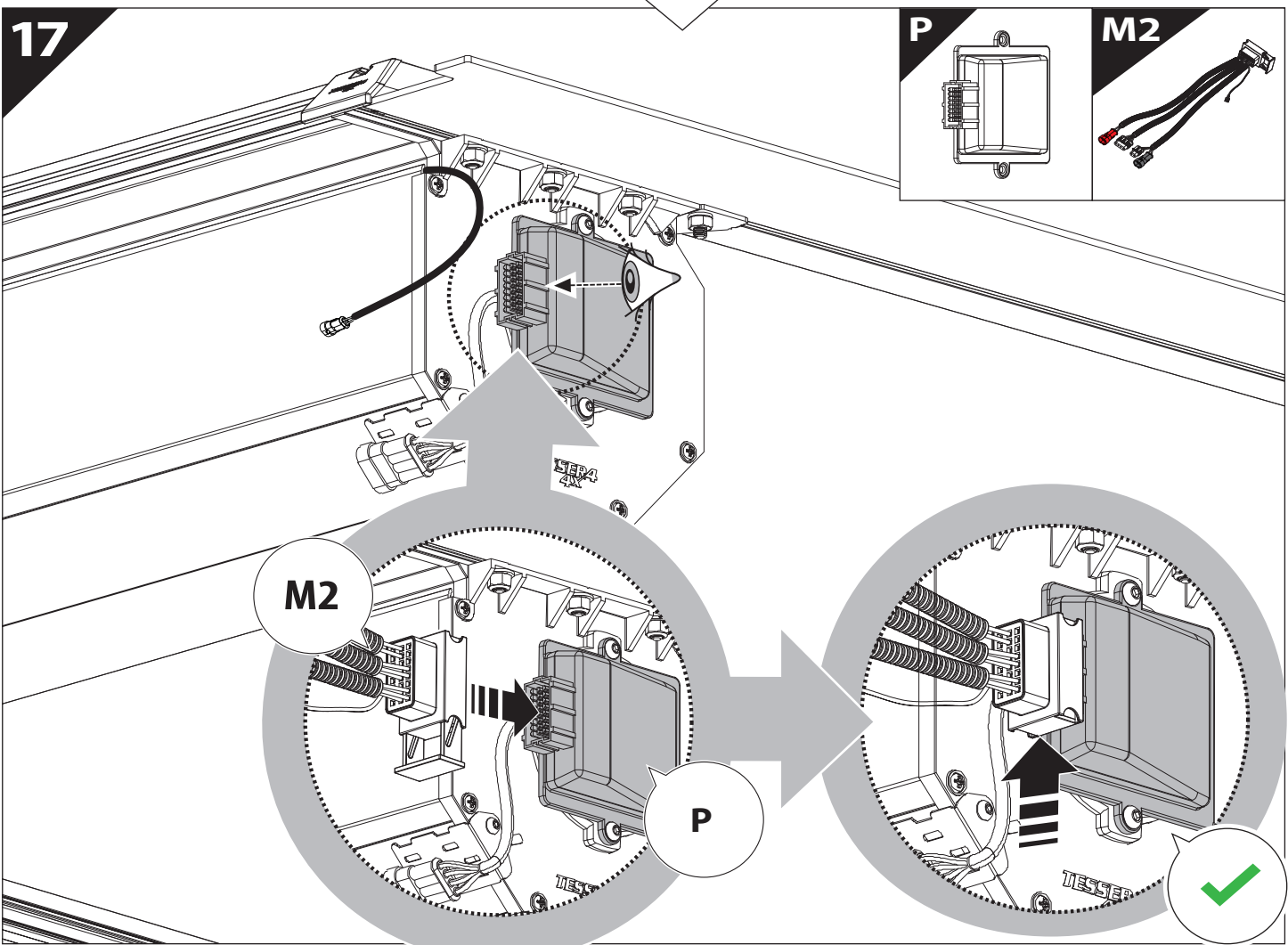
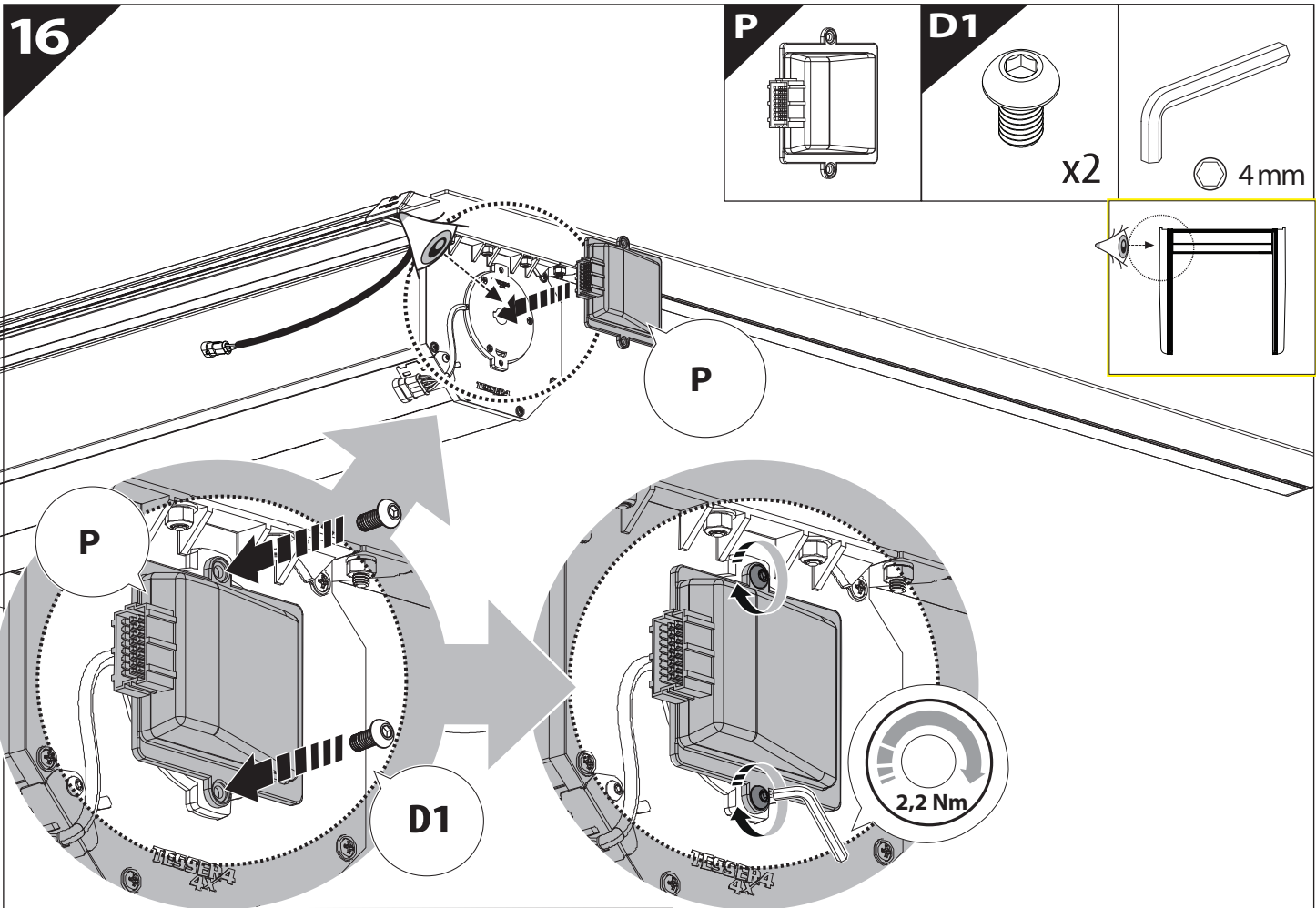


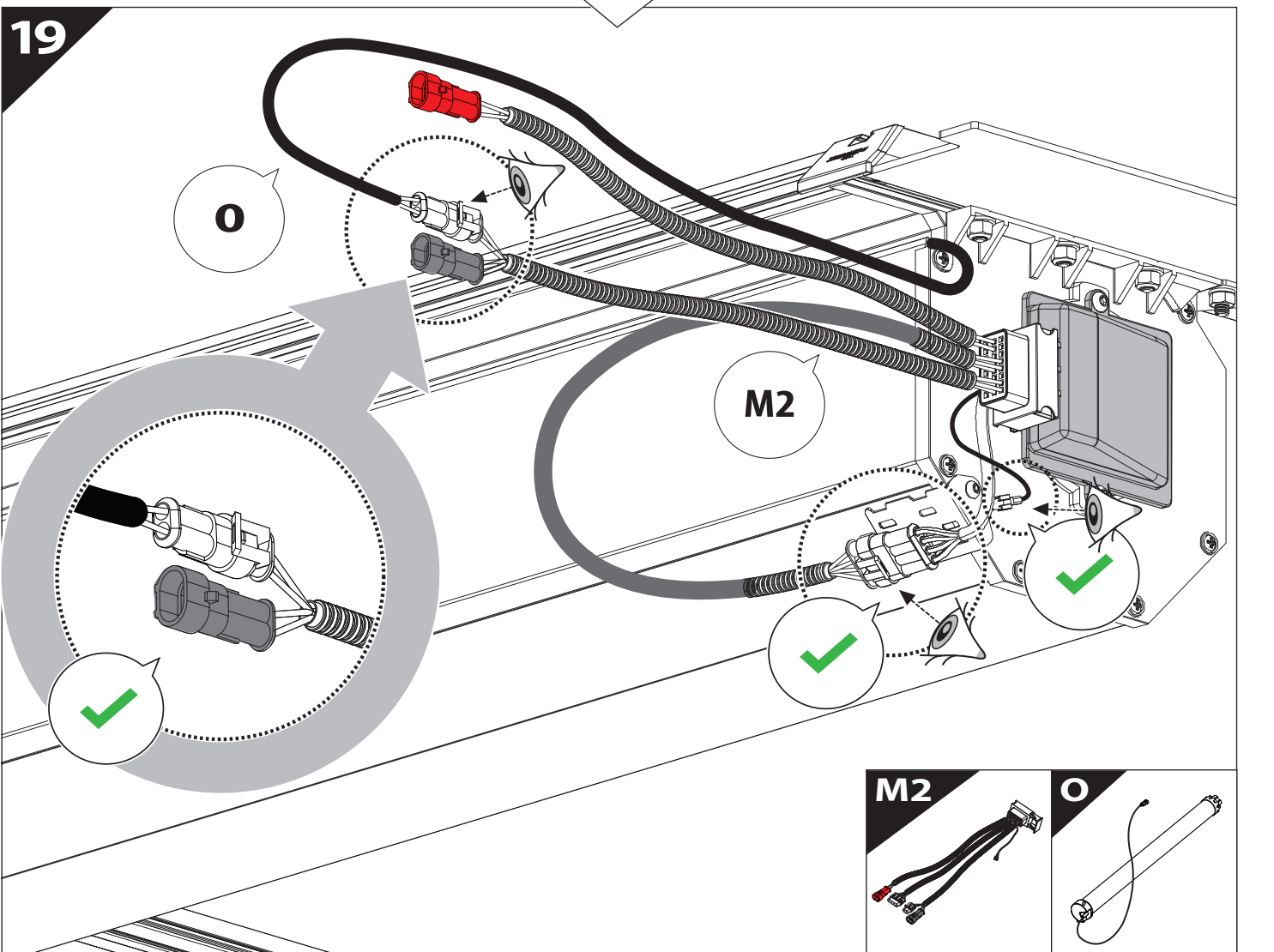
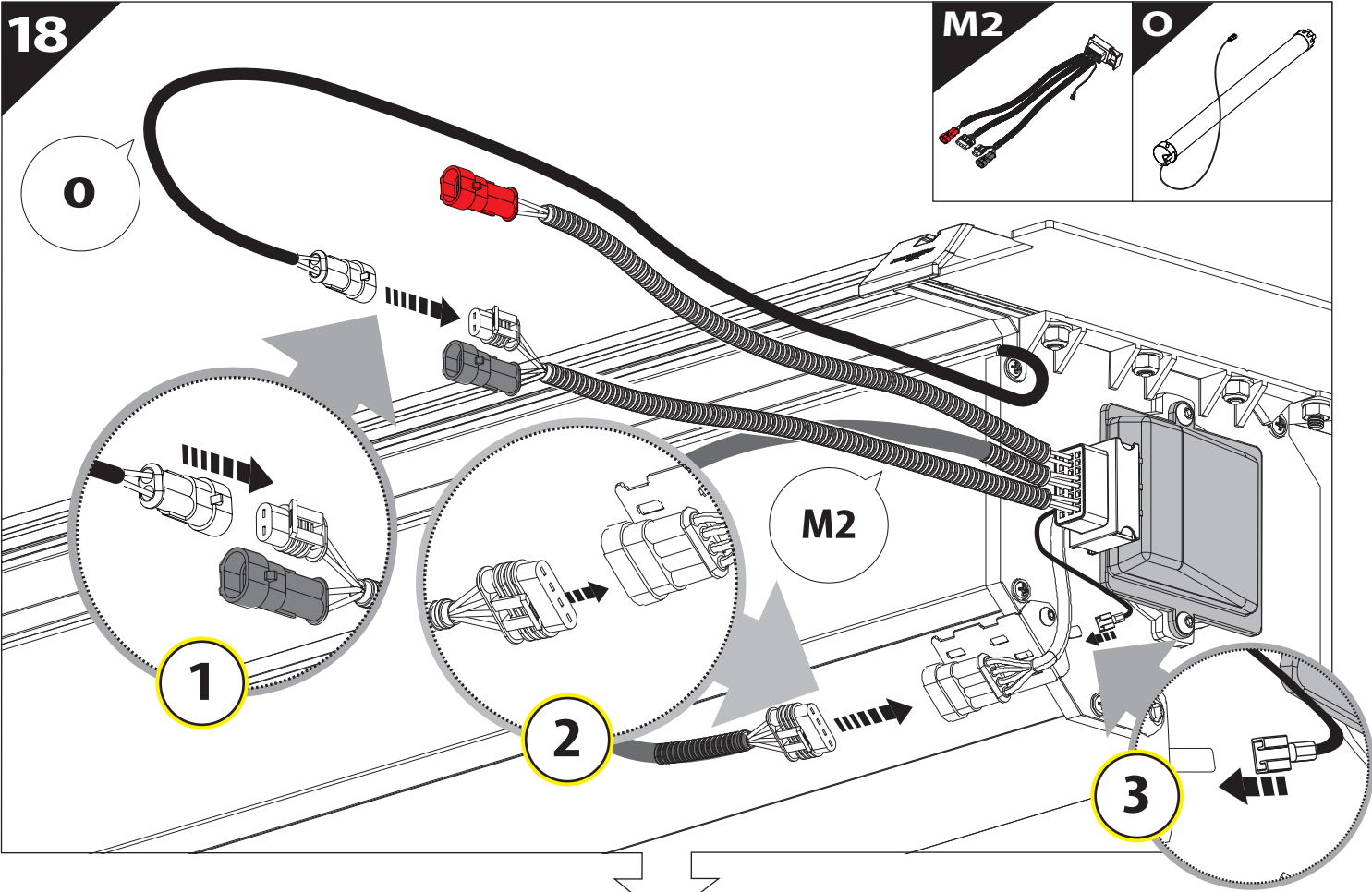
9





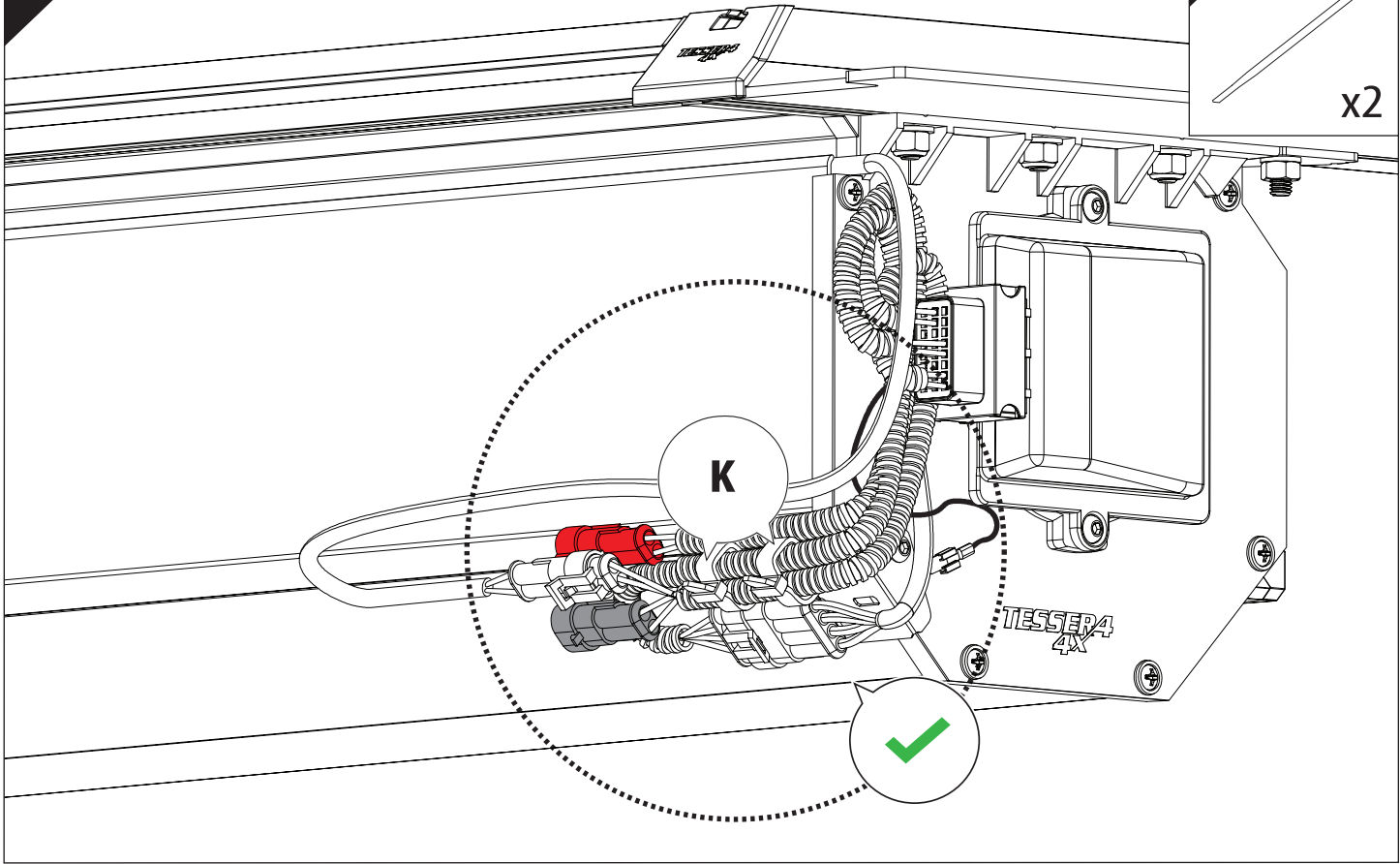
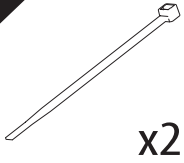




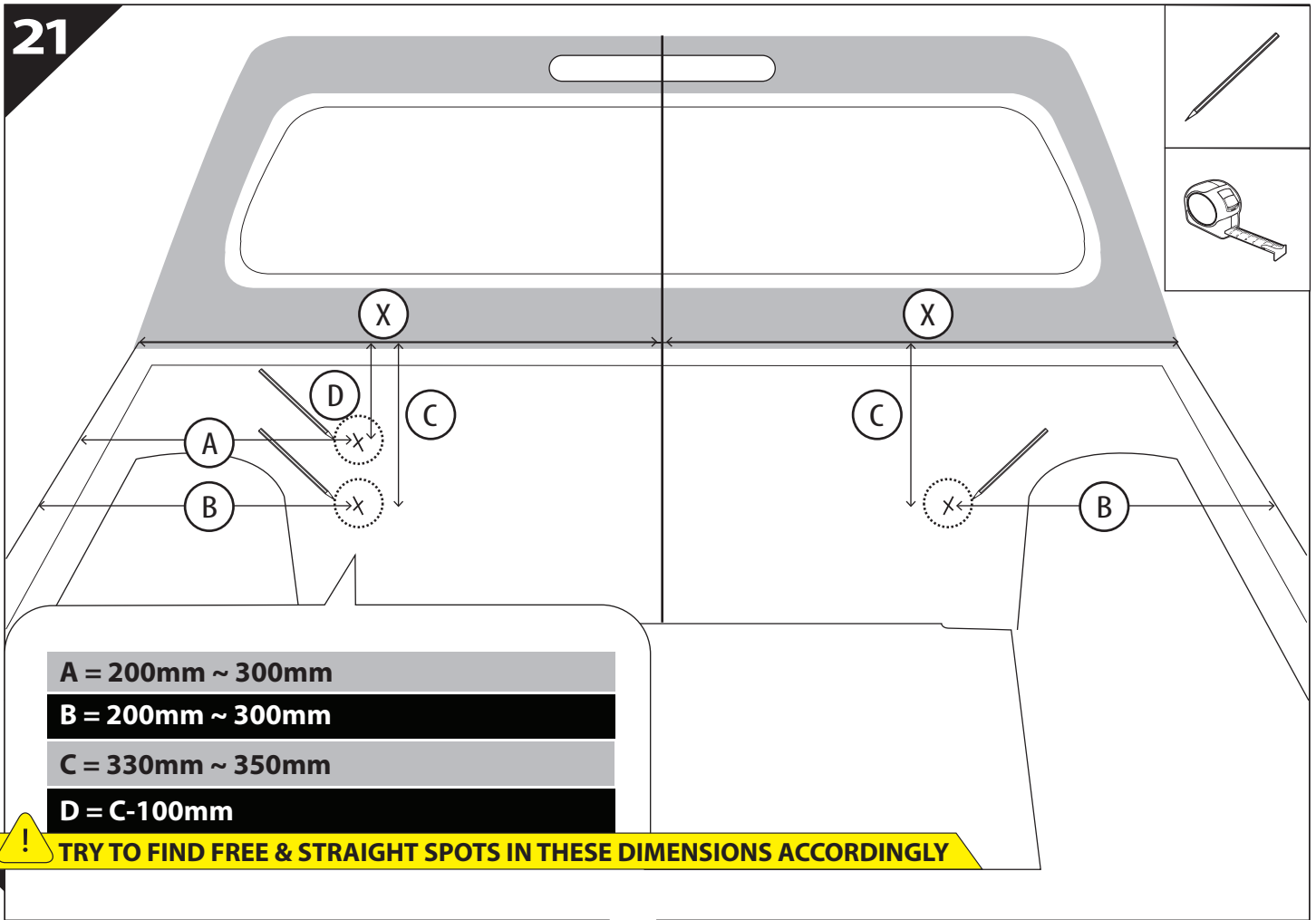


20

K



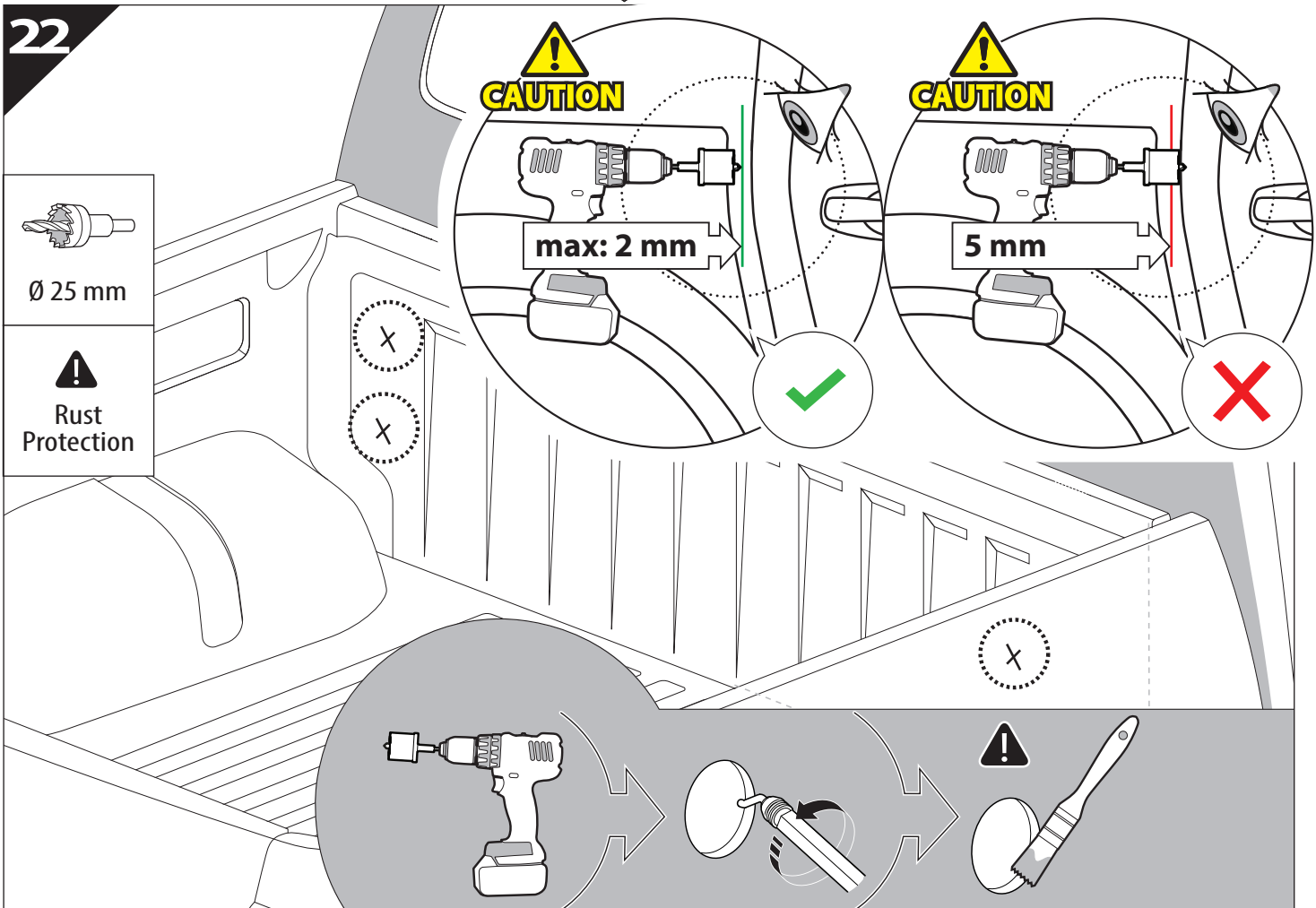
21

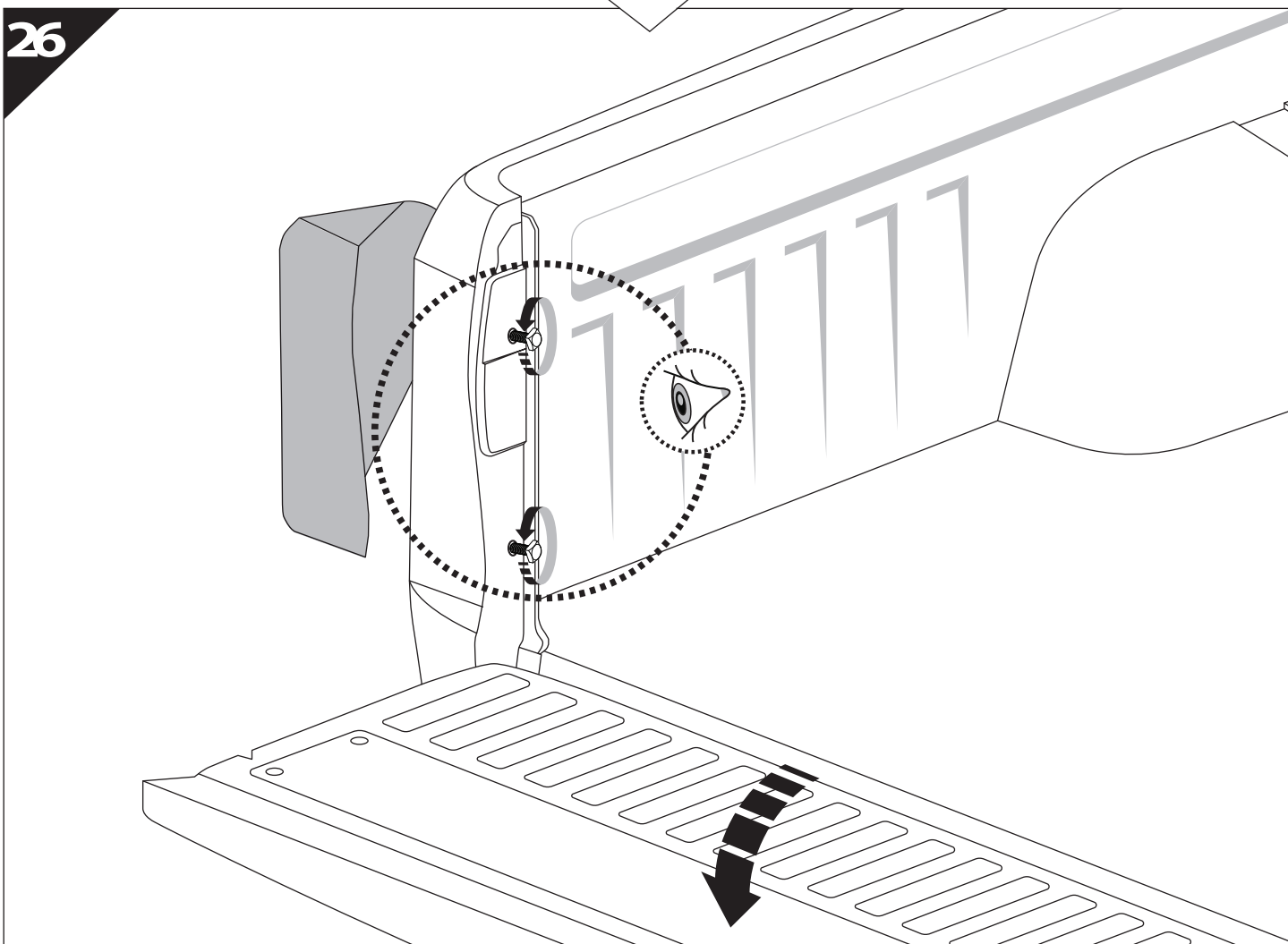
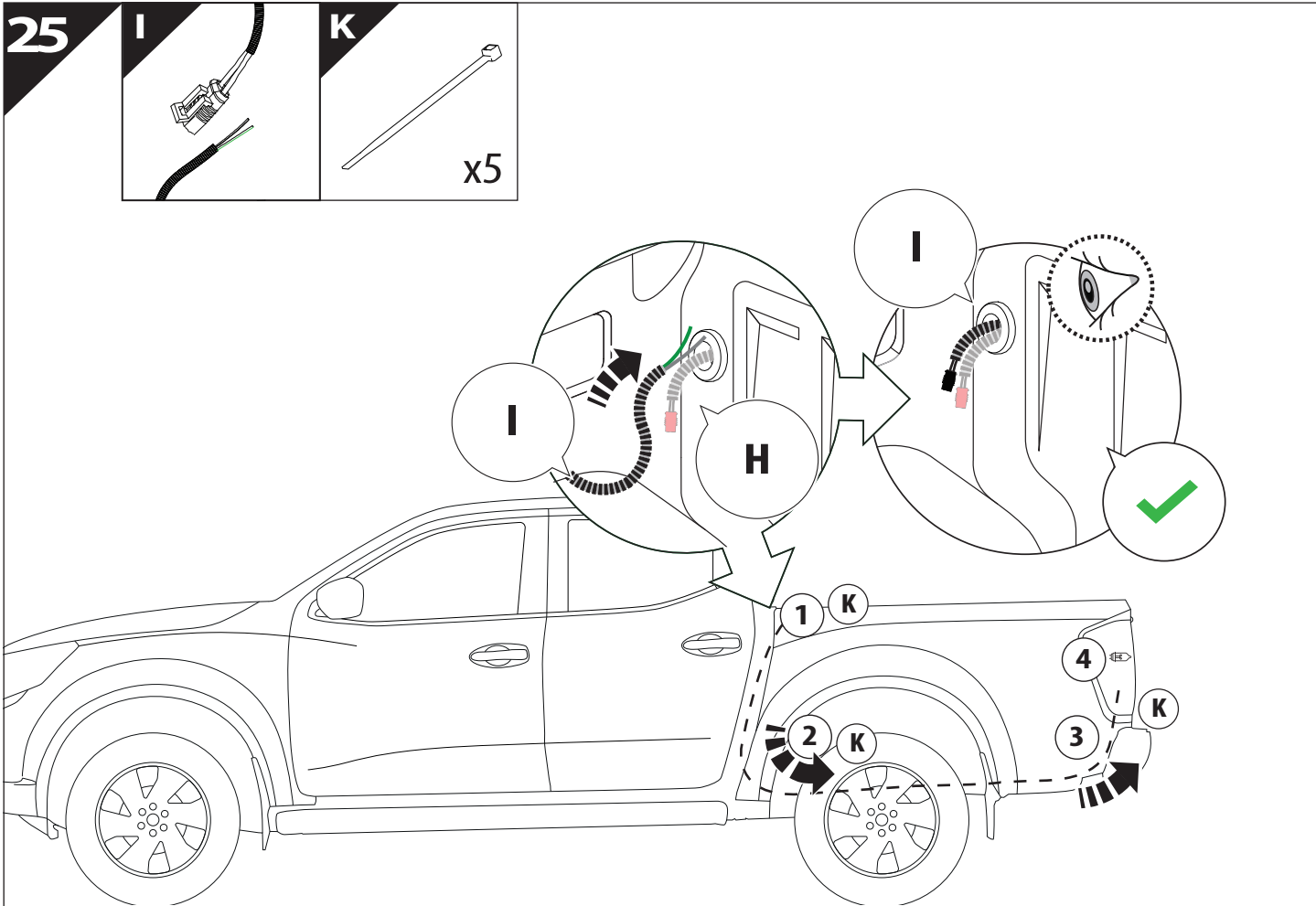


- A = 200mm ~ 300mm
- B = 200mm ~ 300mm
- C = 330mm ~ 350mm
- D = C-100mm

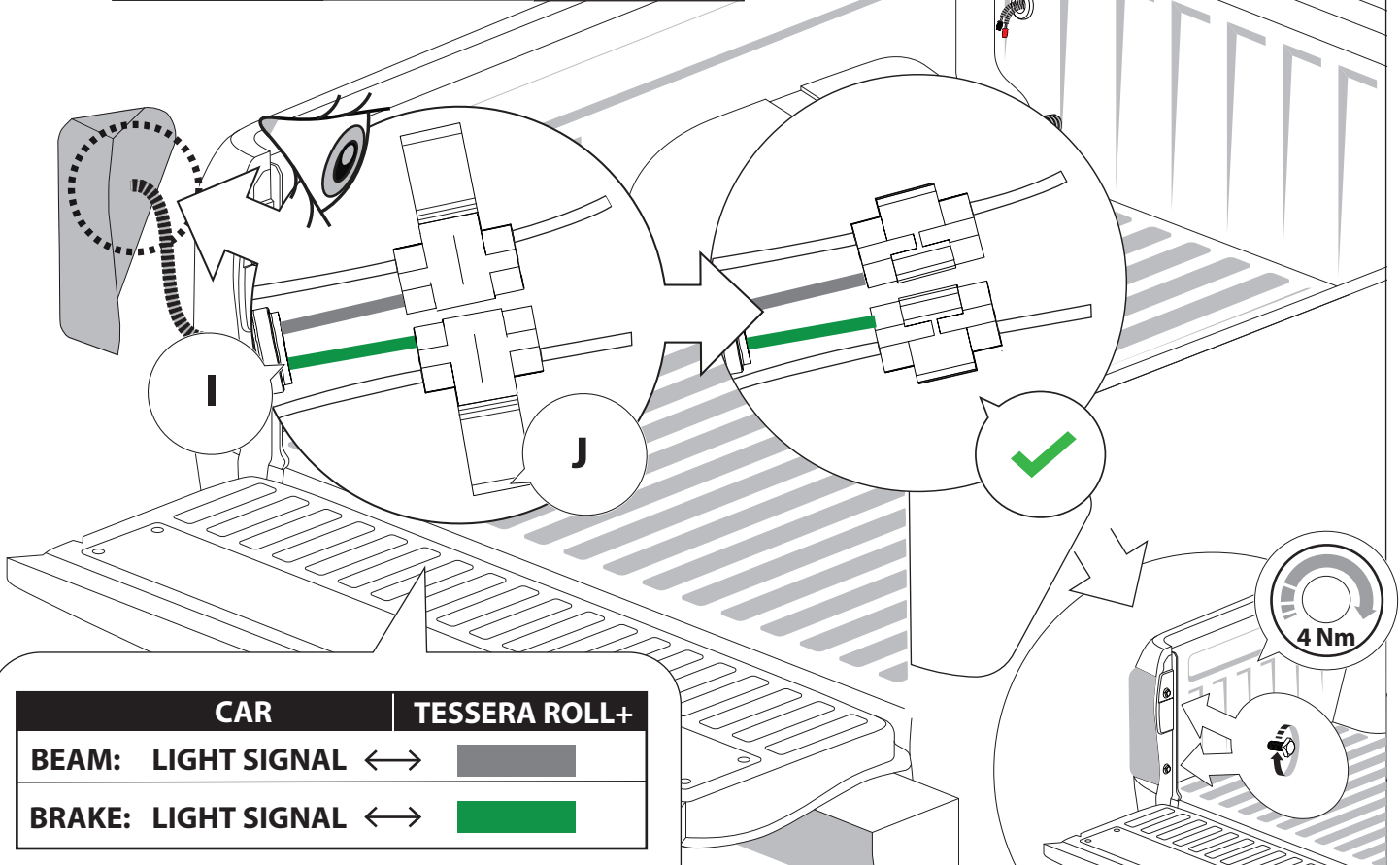
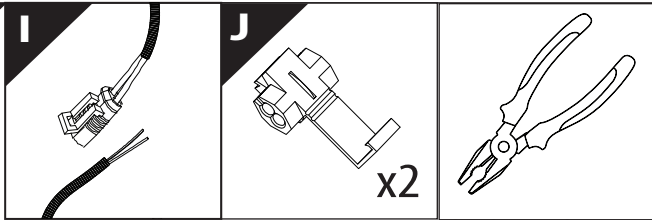
! TRY TO FIND FREE & STRAIGHT SPOTS IN THESE DIMENSIONS ACCORDINGLY

22





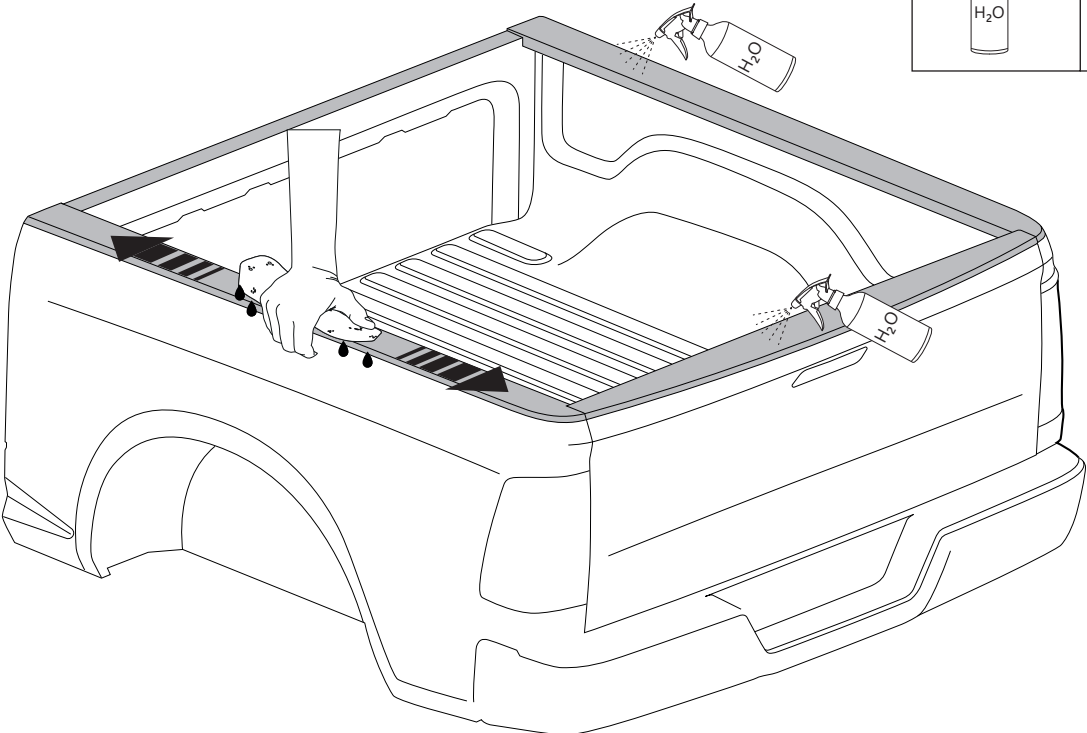
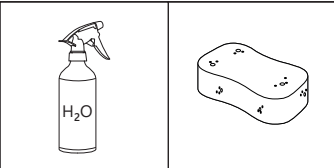
27

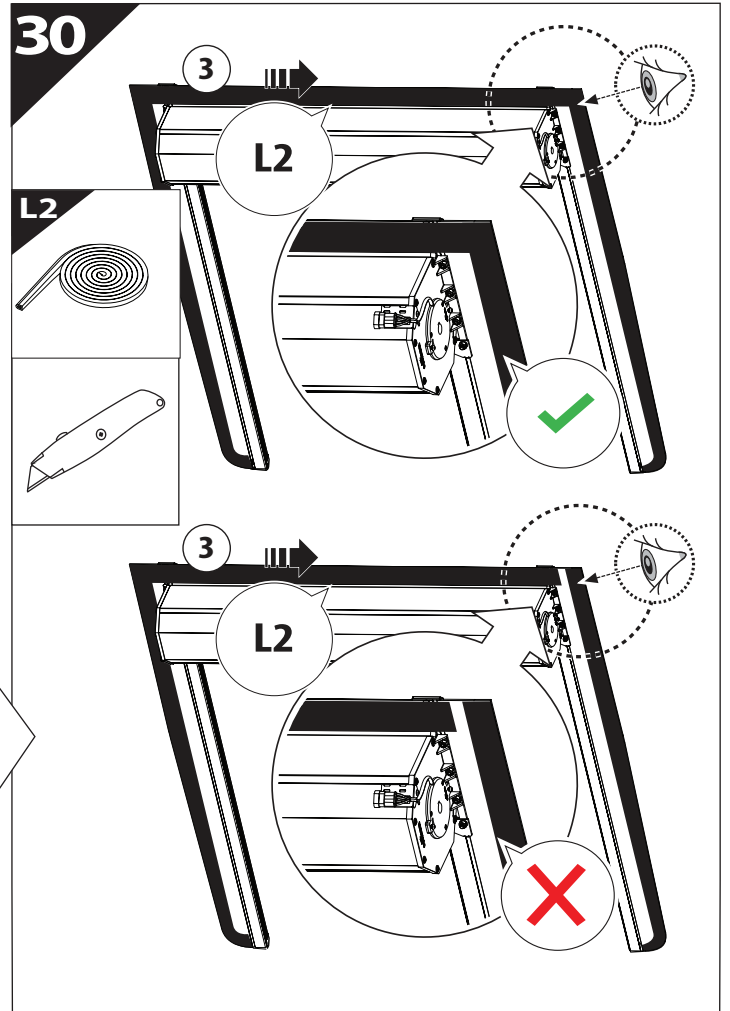
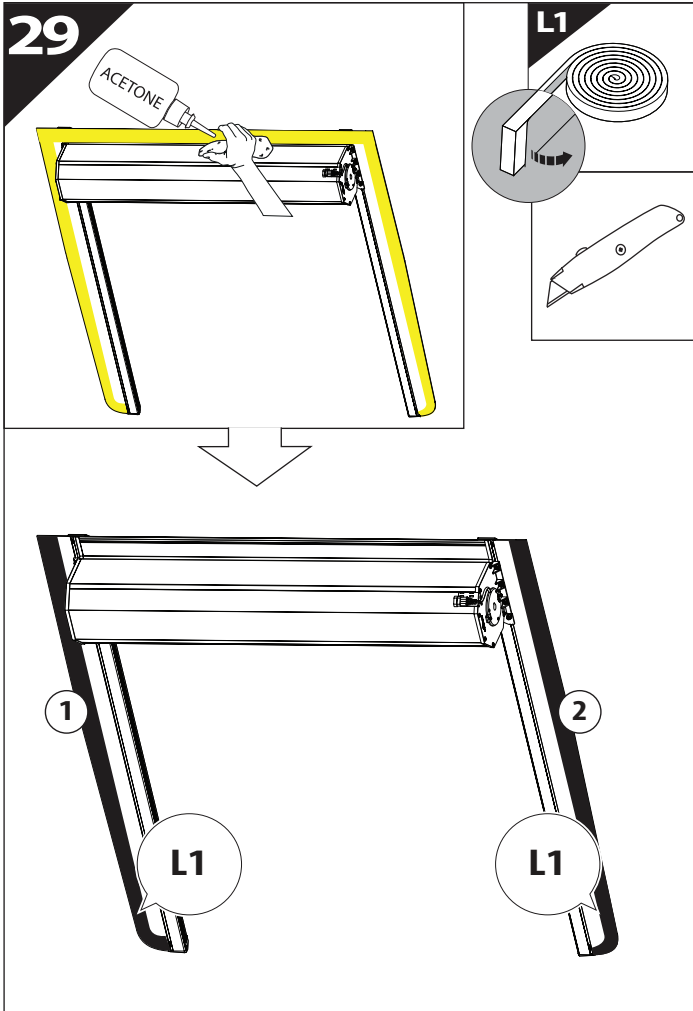


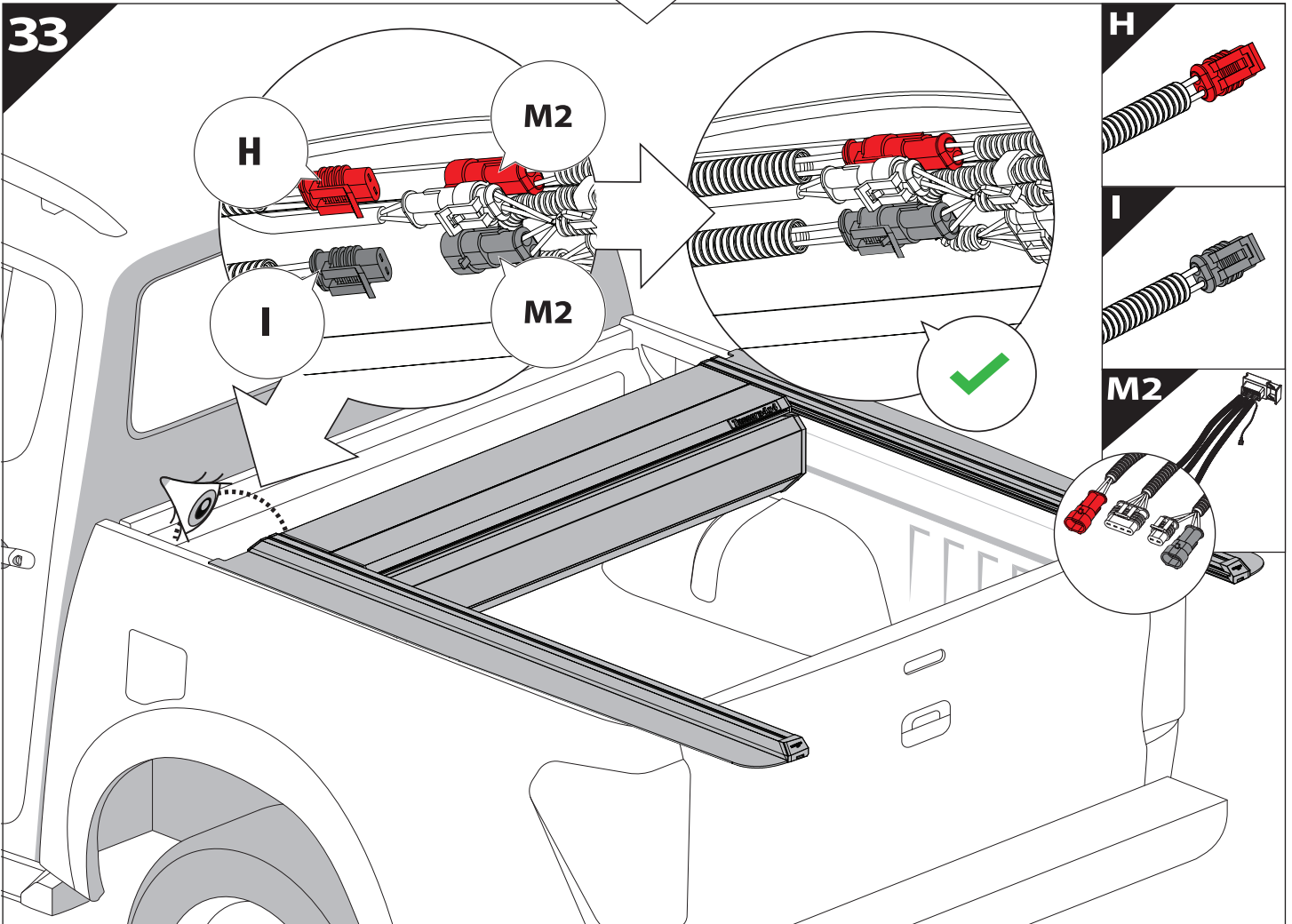
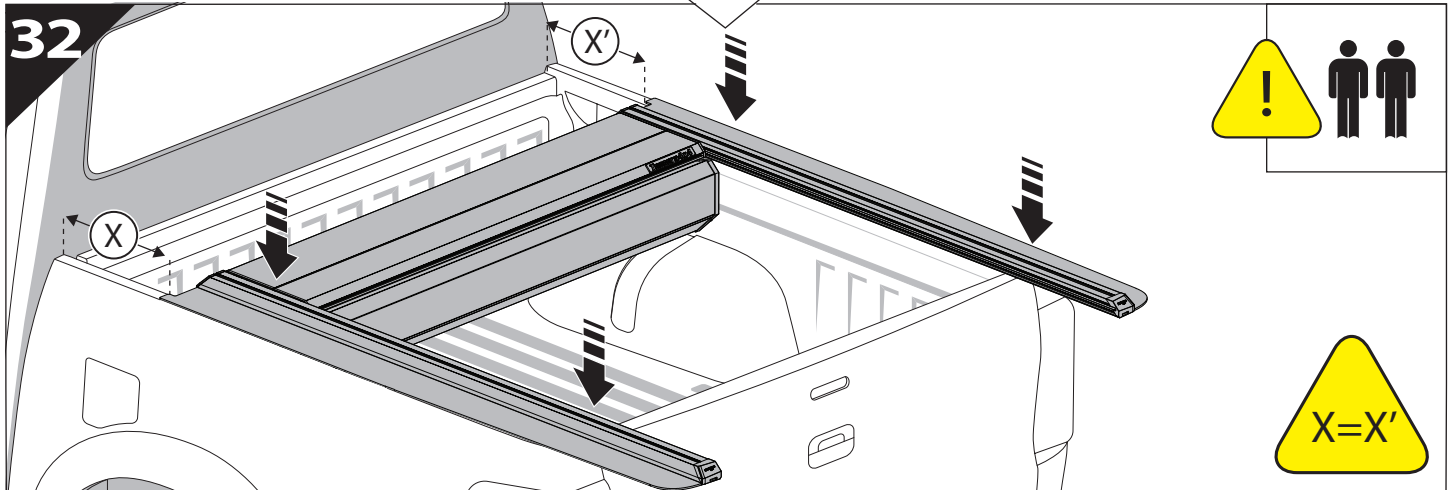
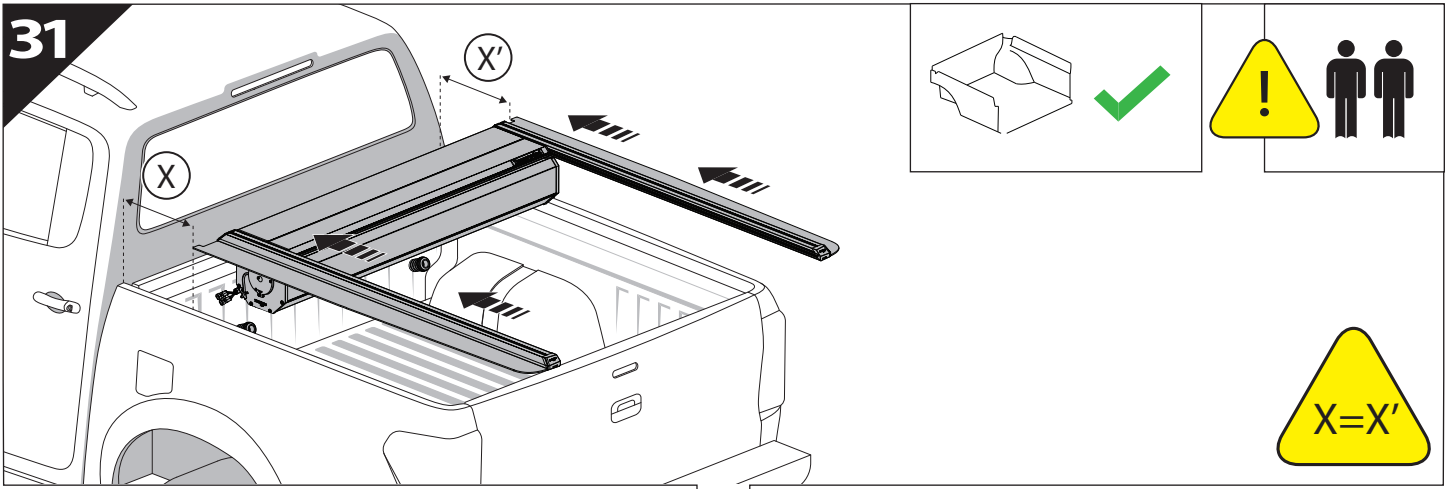
	CAR	TESSERA ROLL+
BEAM:	LIGHT SIGNAL ↔	
BRAKE:	LIGHT SIGNAL ↔	

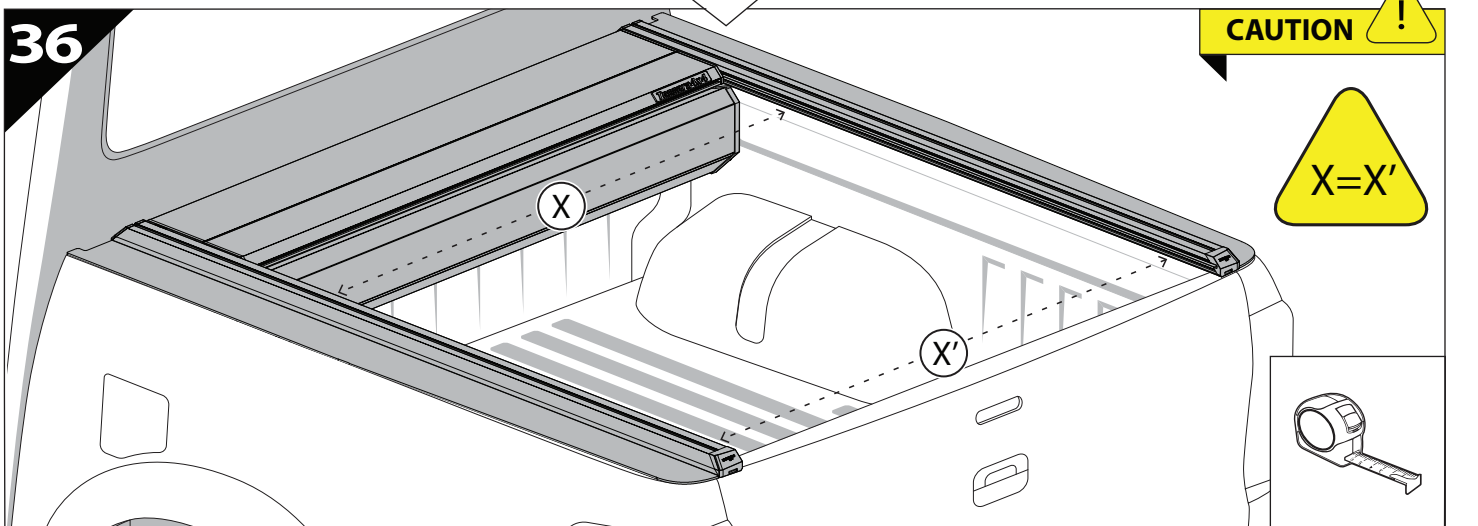
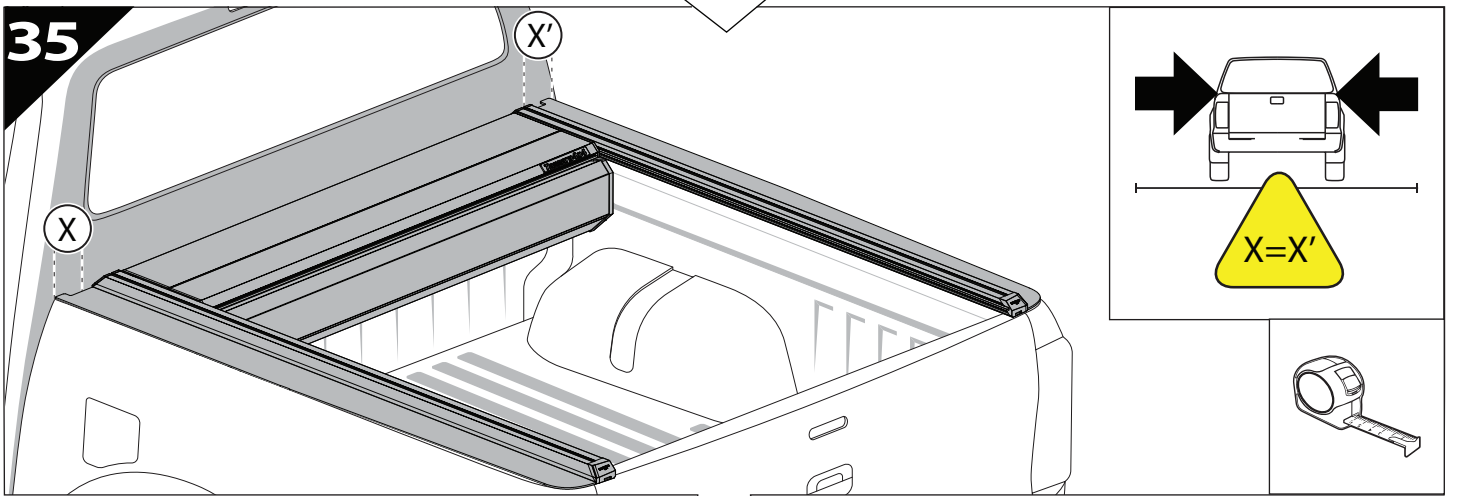
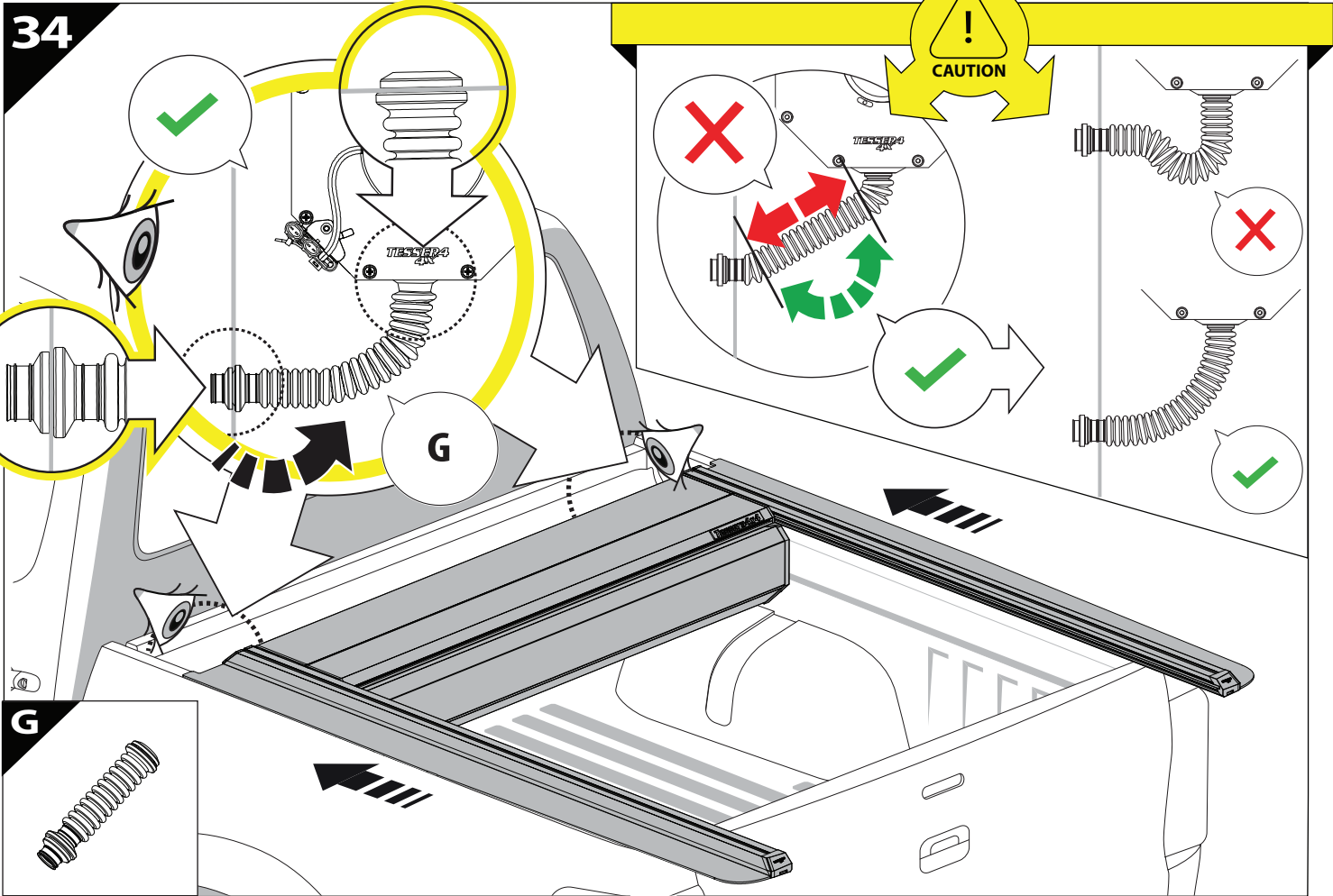
CAUTION: CONSULT A CERTIFIED AUTO MECHANIC OR AUTOMOTIVE ELECTRICIAN TO IDENTIFY THE CORRECT WIRING CABLES FOR BEAM AND BRAKE SIGNALS BEFORE MAKING ANY CONNECTIONS.

28



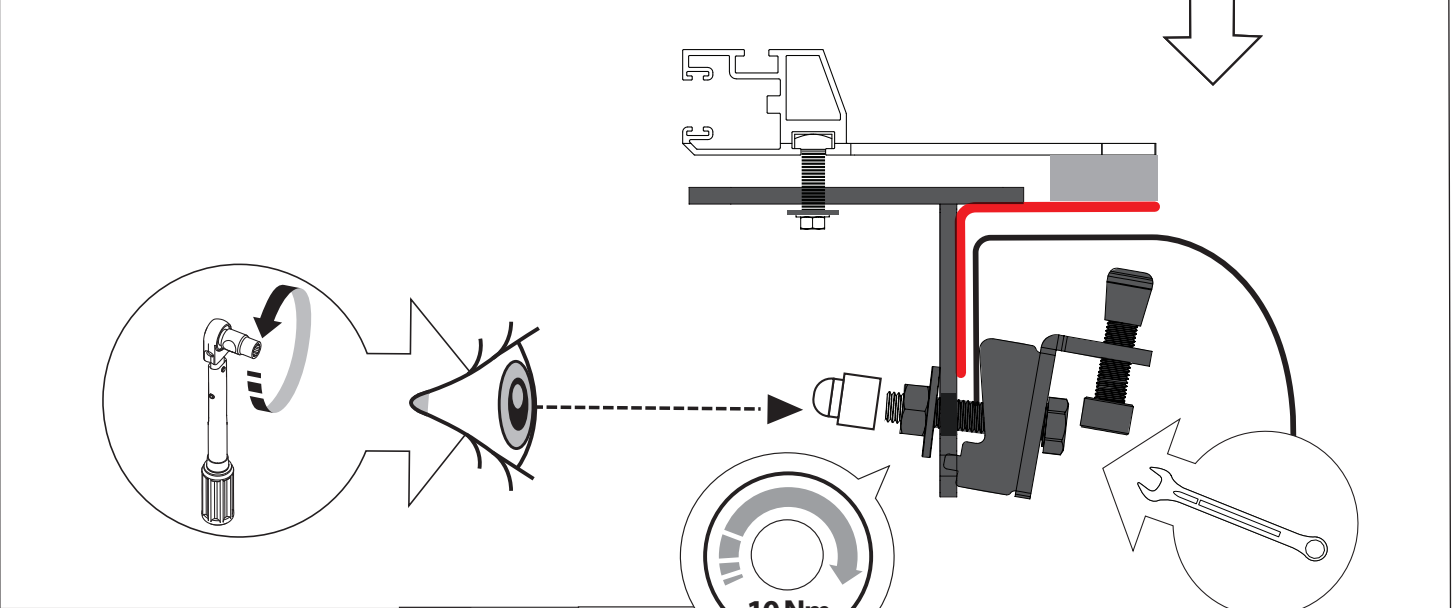
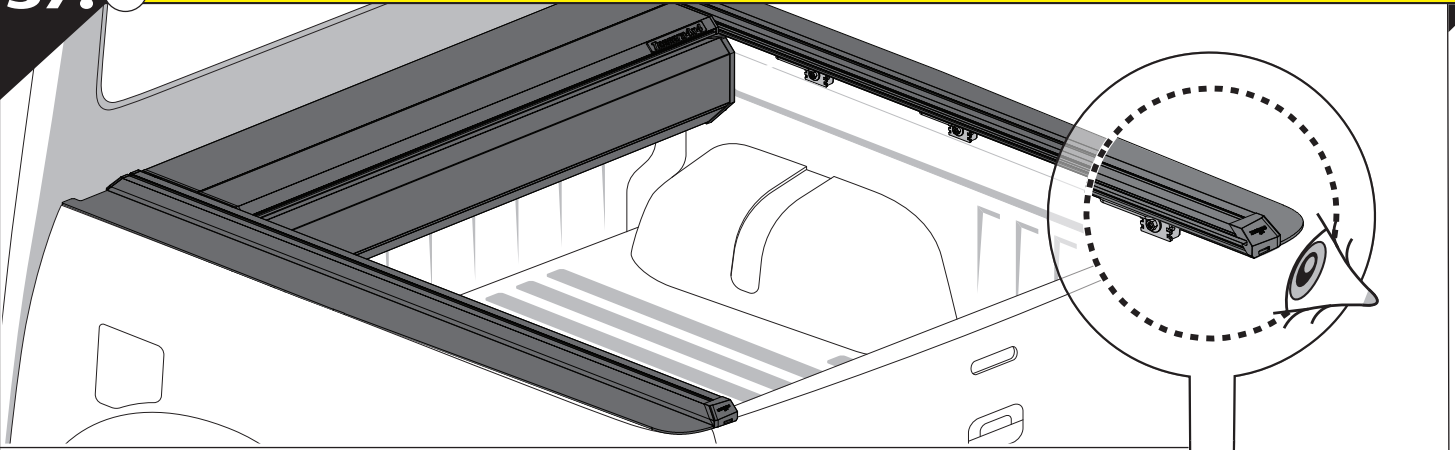






37.1

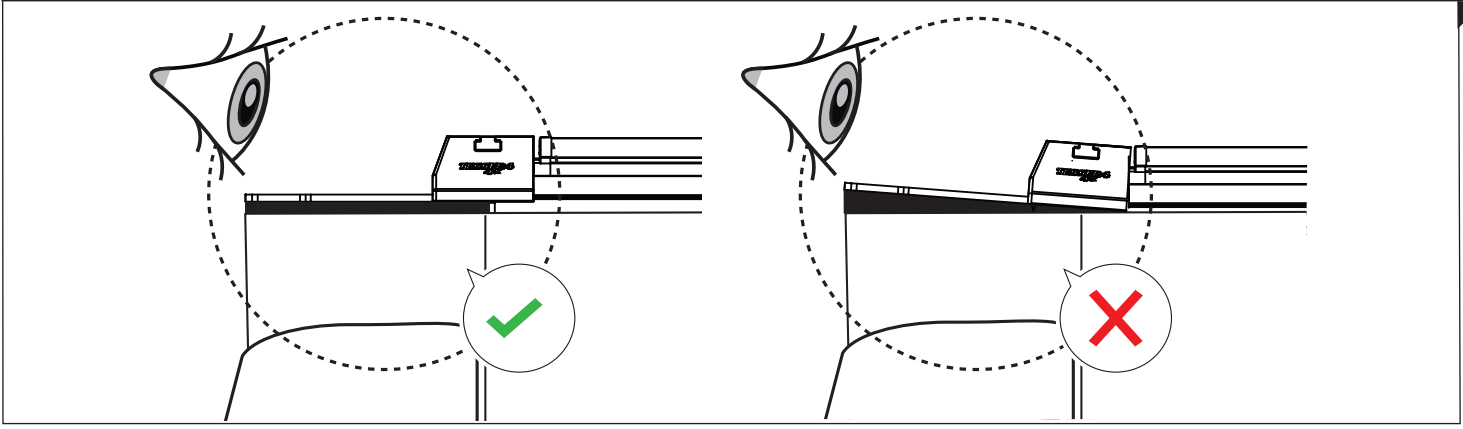
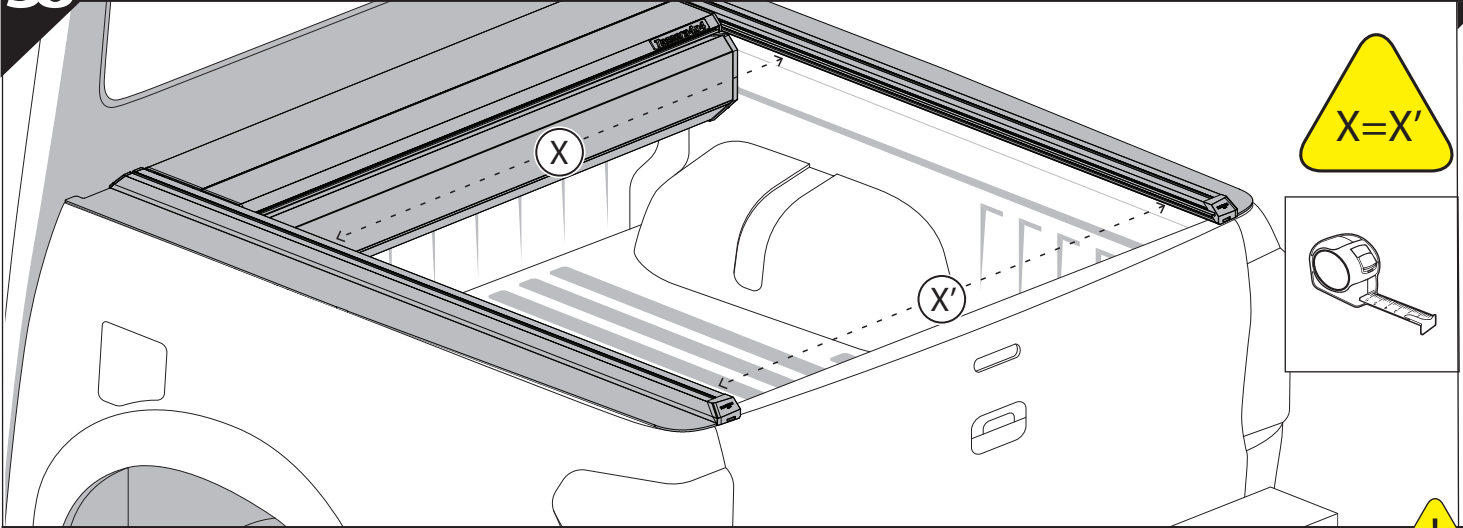
CAUTION !



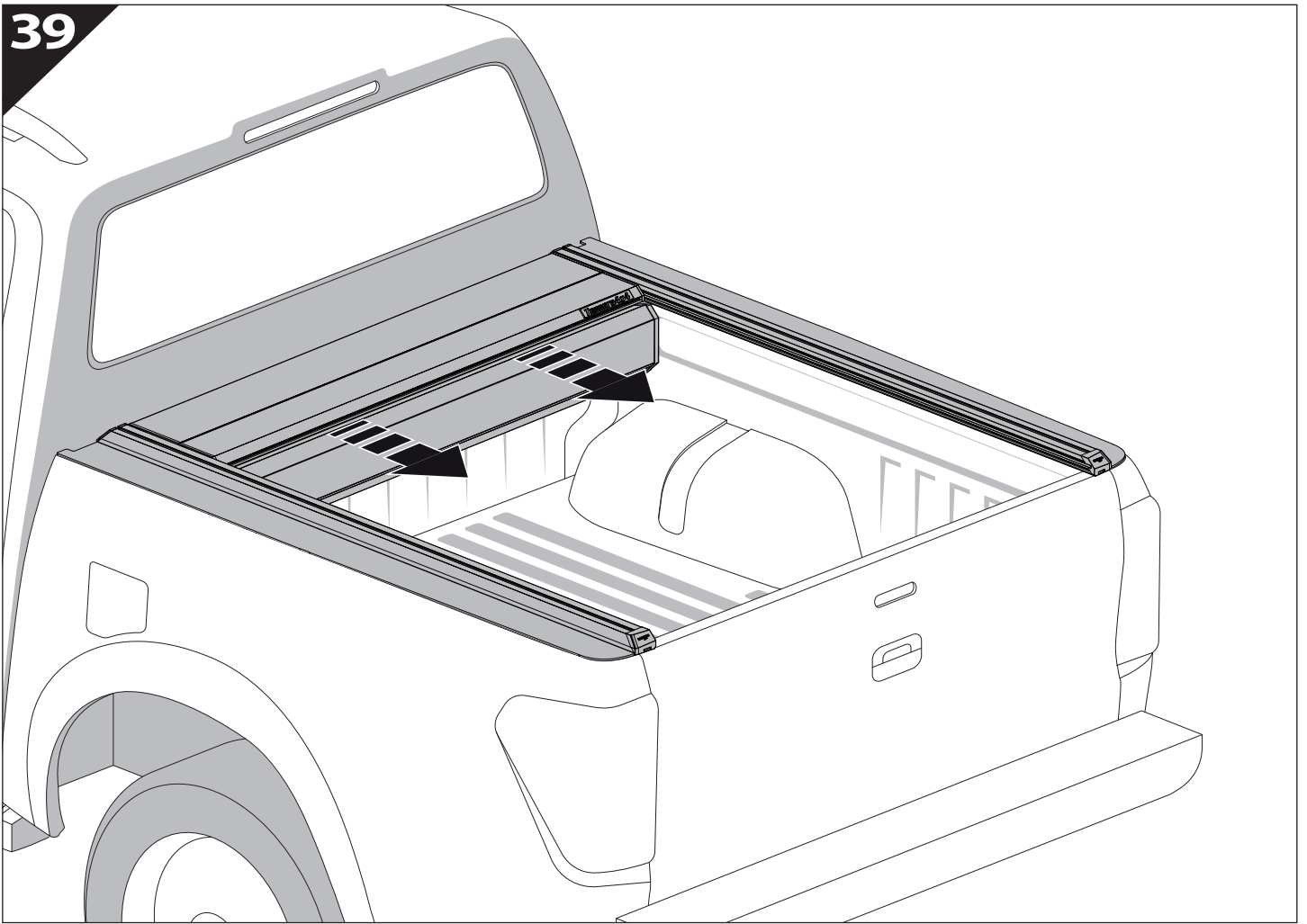
Q x6	E x6	 13 mm
--------------------	--------------------	-----------

37.2

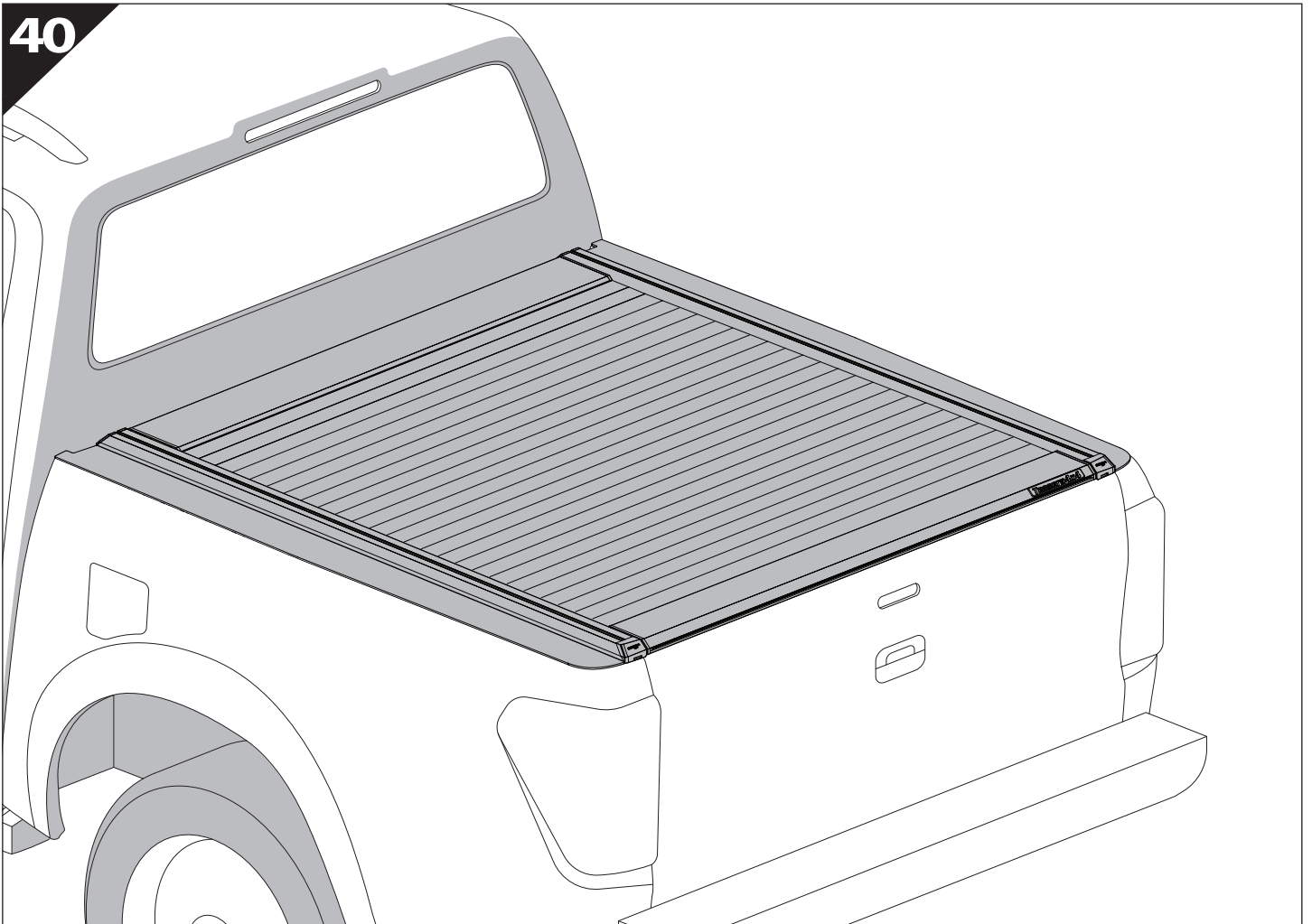
Q x6	E x6	 13 mm
--------------------	--------------------	-----------



39



40





GR: Οδηγίες Εγκατάστασης
GB: Installation manual
SF: Asennusohje
F: Notice de montage
PL: Instrukcja montażu
NL: Installatie-instructies
TR: Montaj Talimatı
S: Monteringsanvisning
E: Instrucciones de montaje

H: Szerelési utasítás
P: Instruções de instalação
RUS: Инструкция по установке
N: Monteringsveiledning
D: Einbauanleitung
CZ: Návod k instalaci
I: Istruzioni de montaggio
DK: Monteringsvejledning
RO: Instructiuni de instalare

Customer Service:

+30 (210) 5541161, +30 (210) 5541154 (08:00 - 16:00 EET)

Support department:

info@gianso.gr

Website:

www.tessera4x4.com

Address:

19.5 km of National road Athens-Korinthos (Elefsina) Greece, P.C: 19200