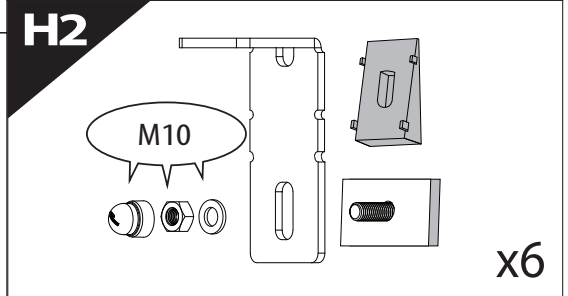
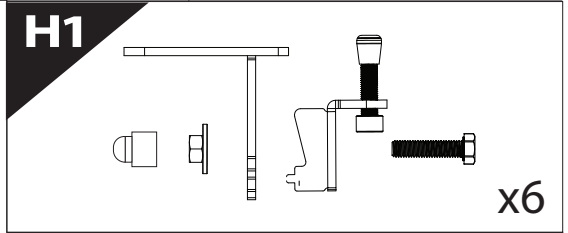
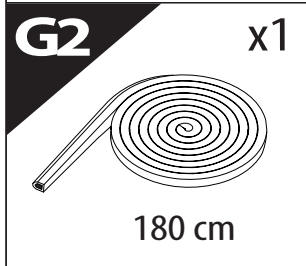
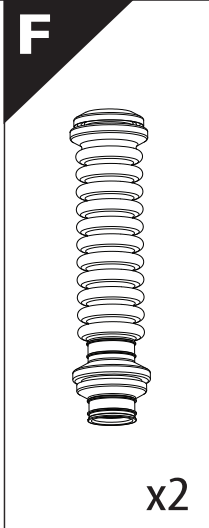
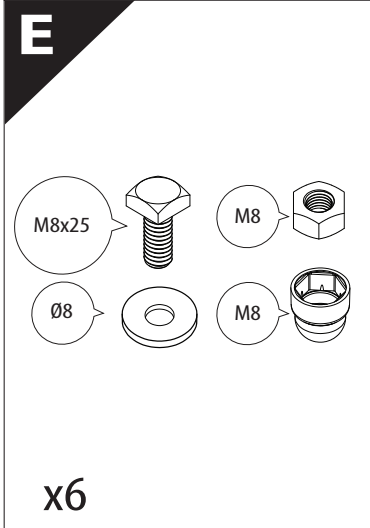
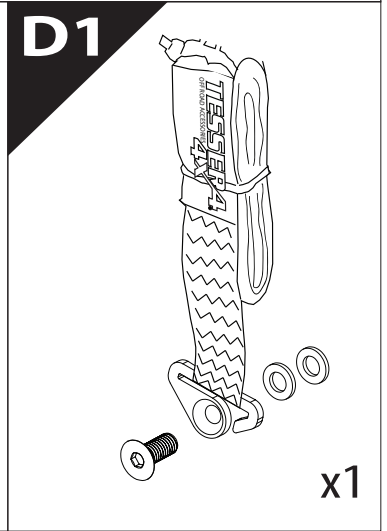
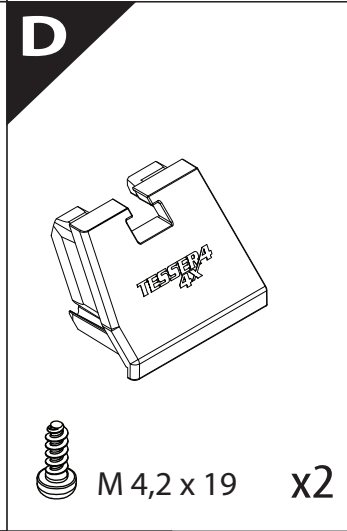
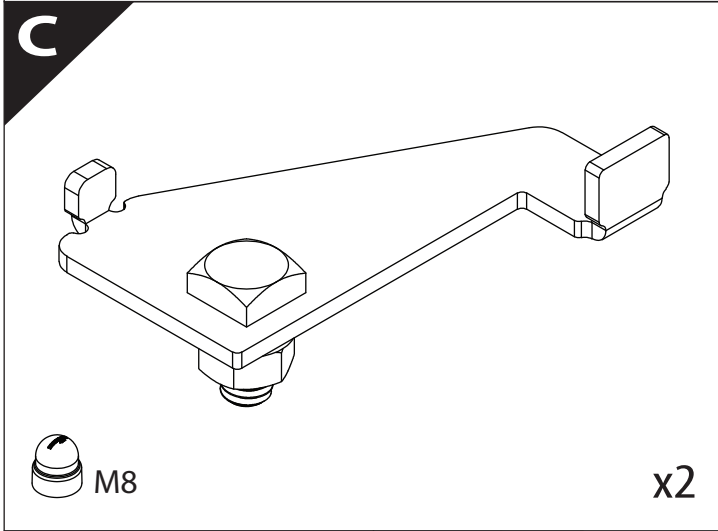
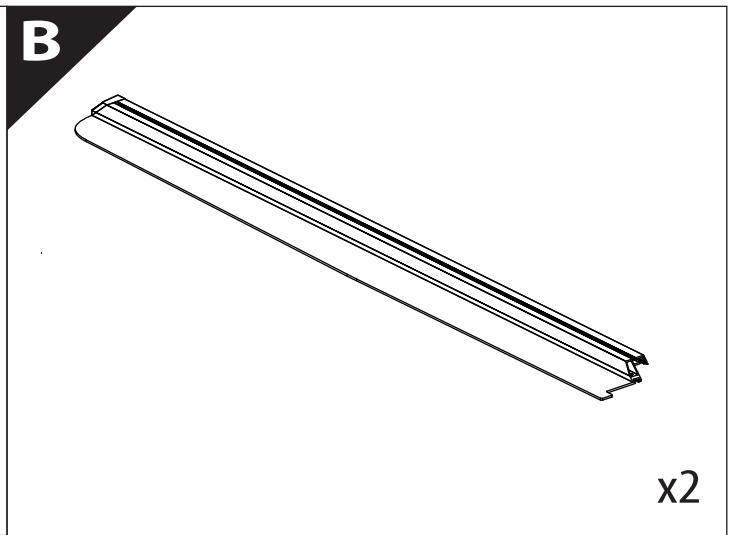
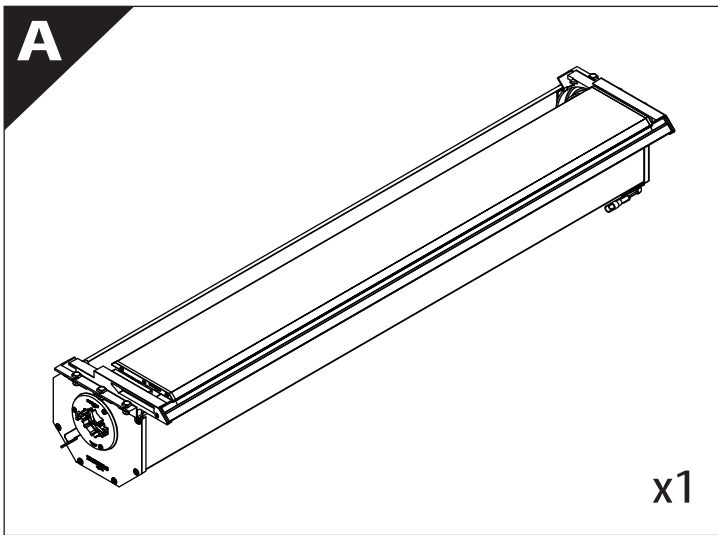
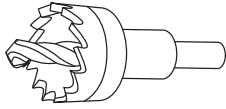




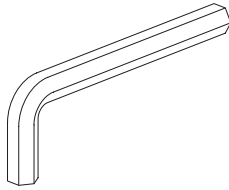
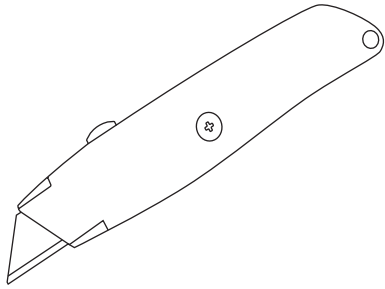
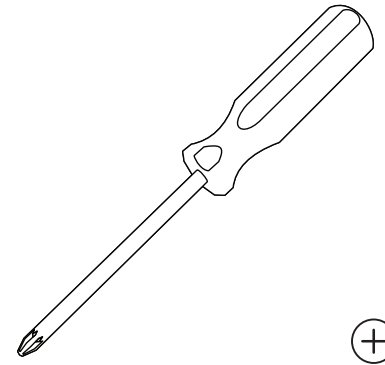
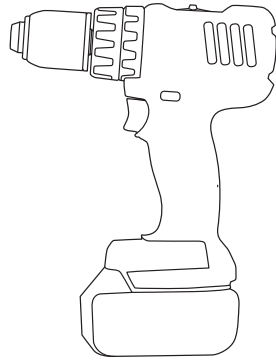
Installation Manual

PART NUMBER(S)	Model Year
TESS 1531 SE	Toyota Tundra 2014 ->2021 & 2022+ (with and without c-channels)
TESS 15311 SE	
Cab(s)	Installation Time / Weight
5.5 Feet & 6.5 Feet	40-60 minutes / 53-57 kg



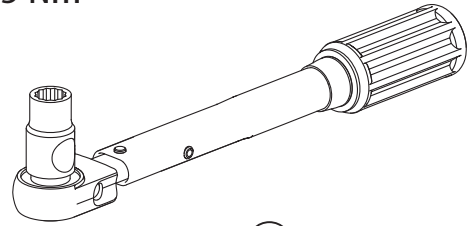


Ø 25 mm



4 mm

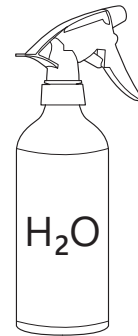
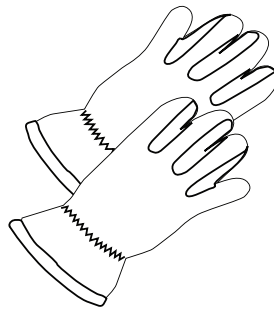
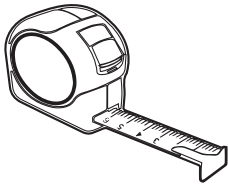
1 - 25 Nm



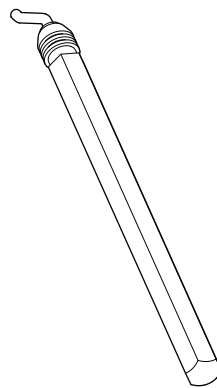
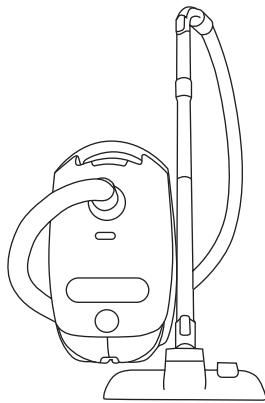
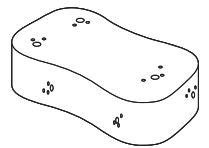
13, 17 mm



ACETONE



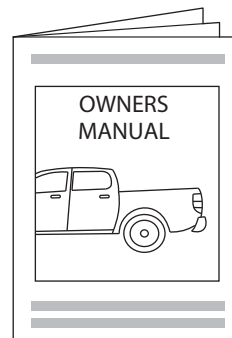
H₂O



ANTI-RUST

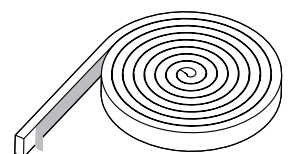
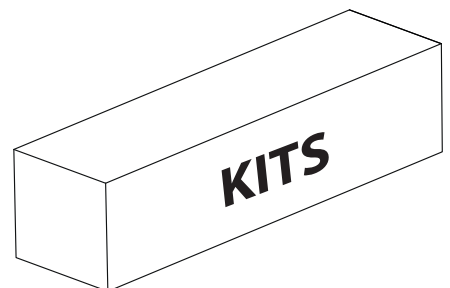
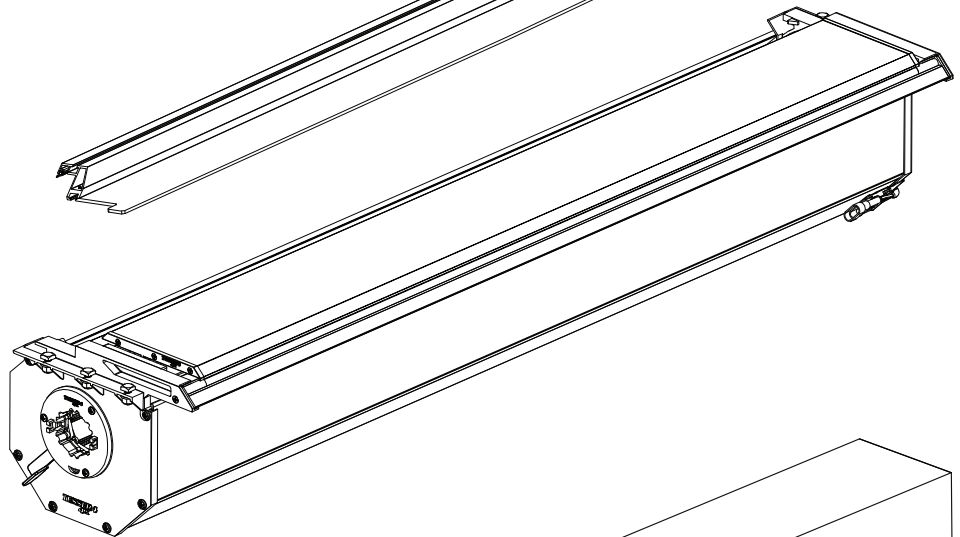
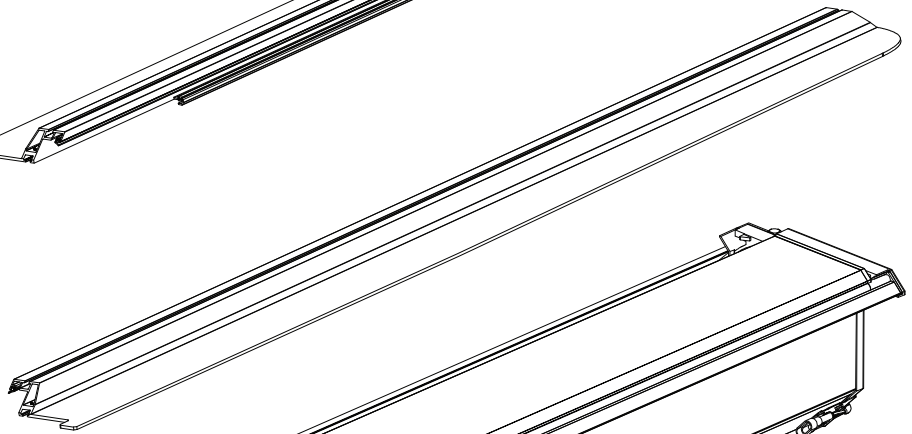
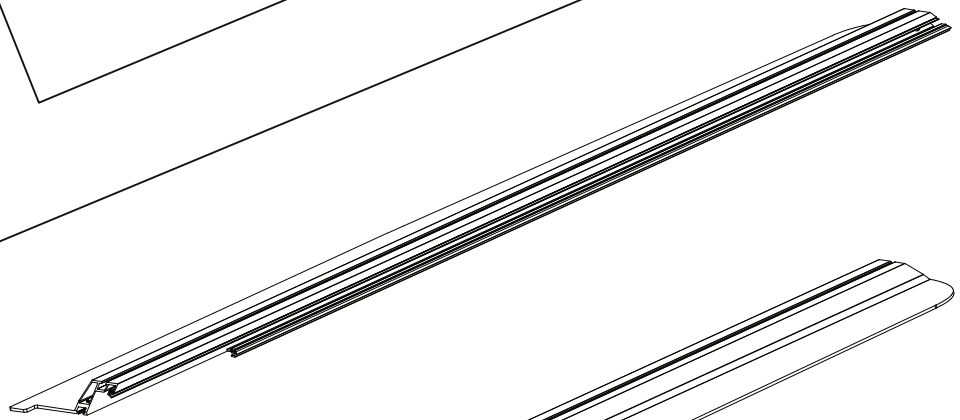
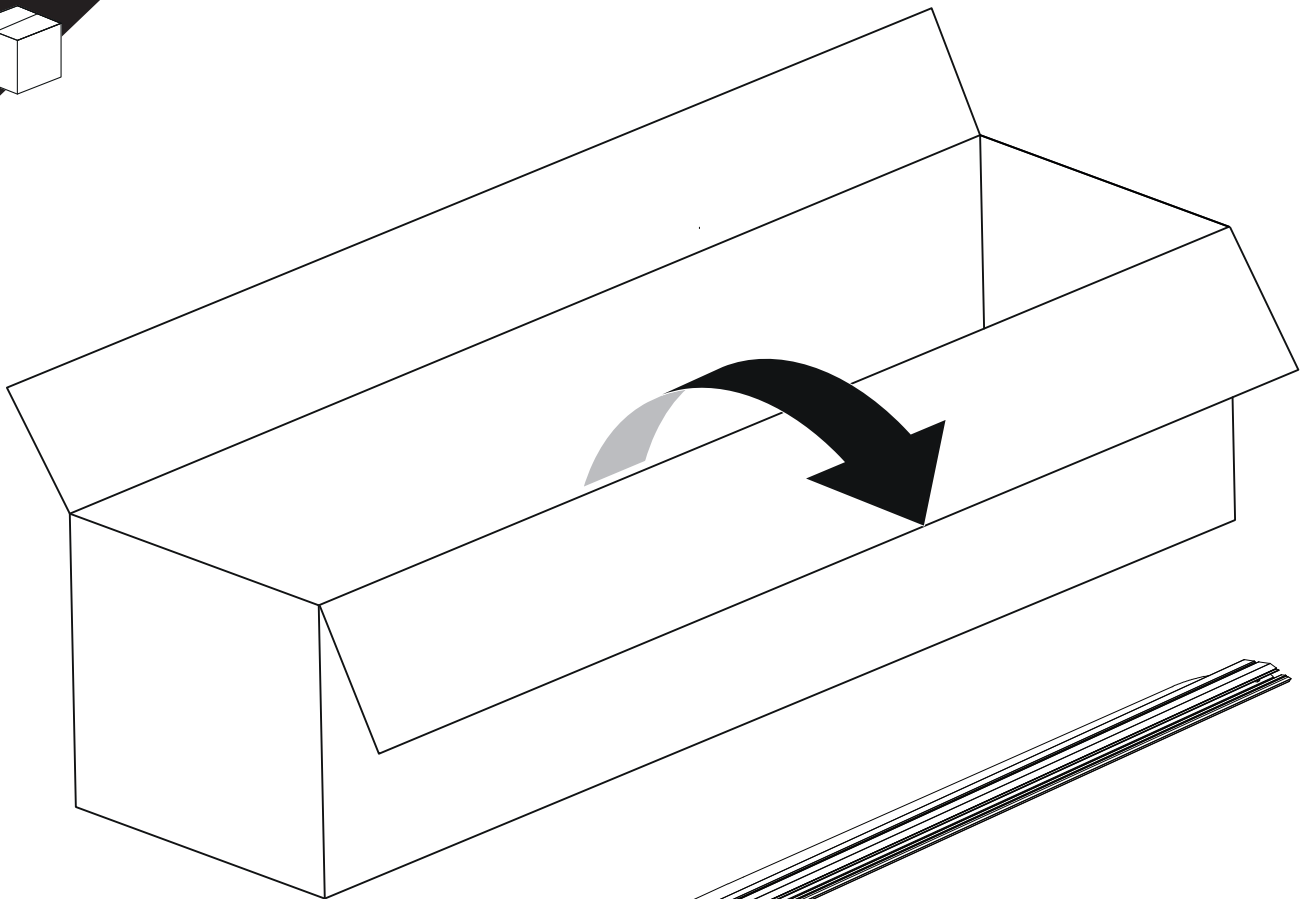


INSTALLATION
MANUAL



OWNERS
MANUAL

x1

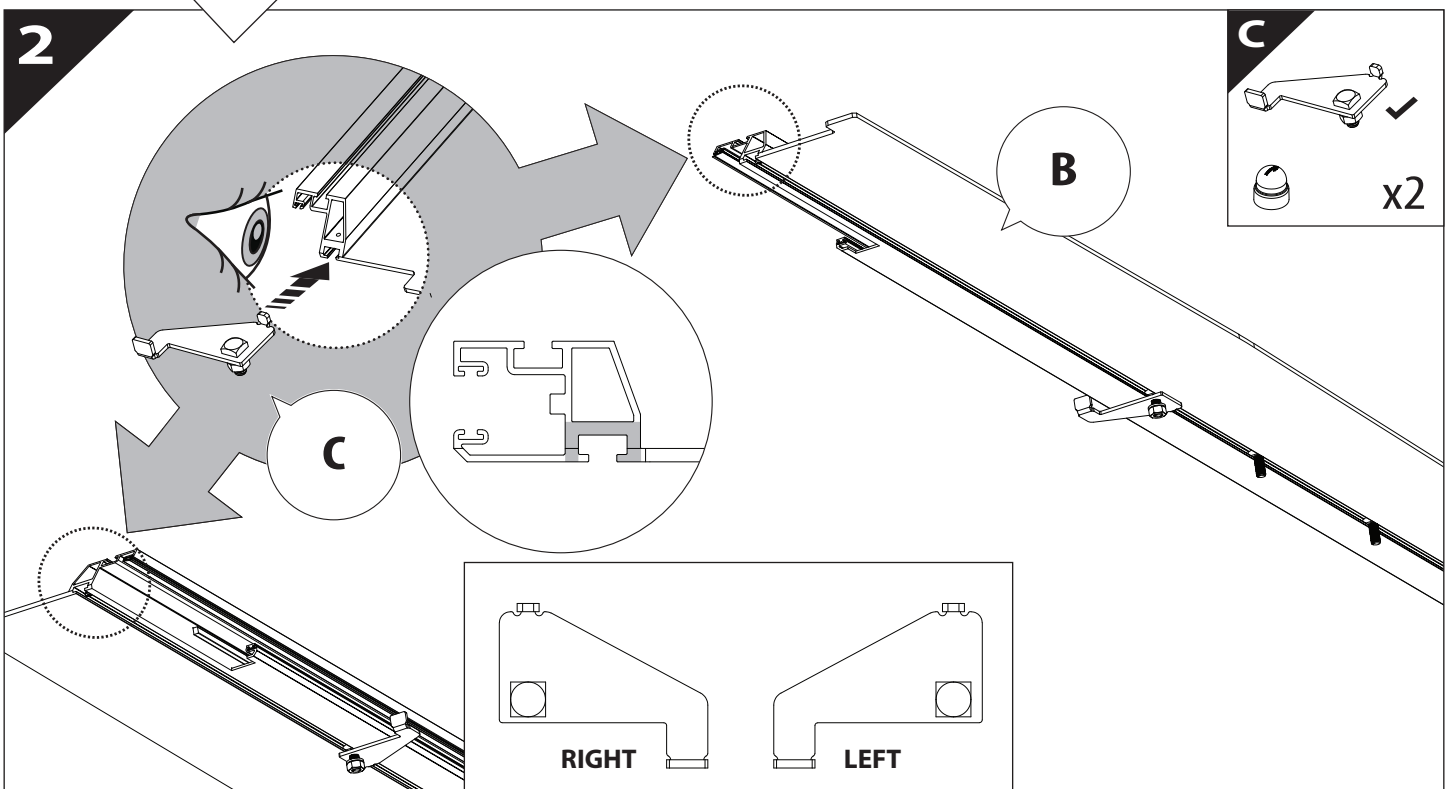
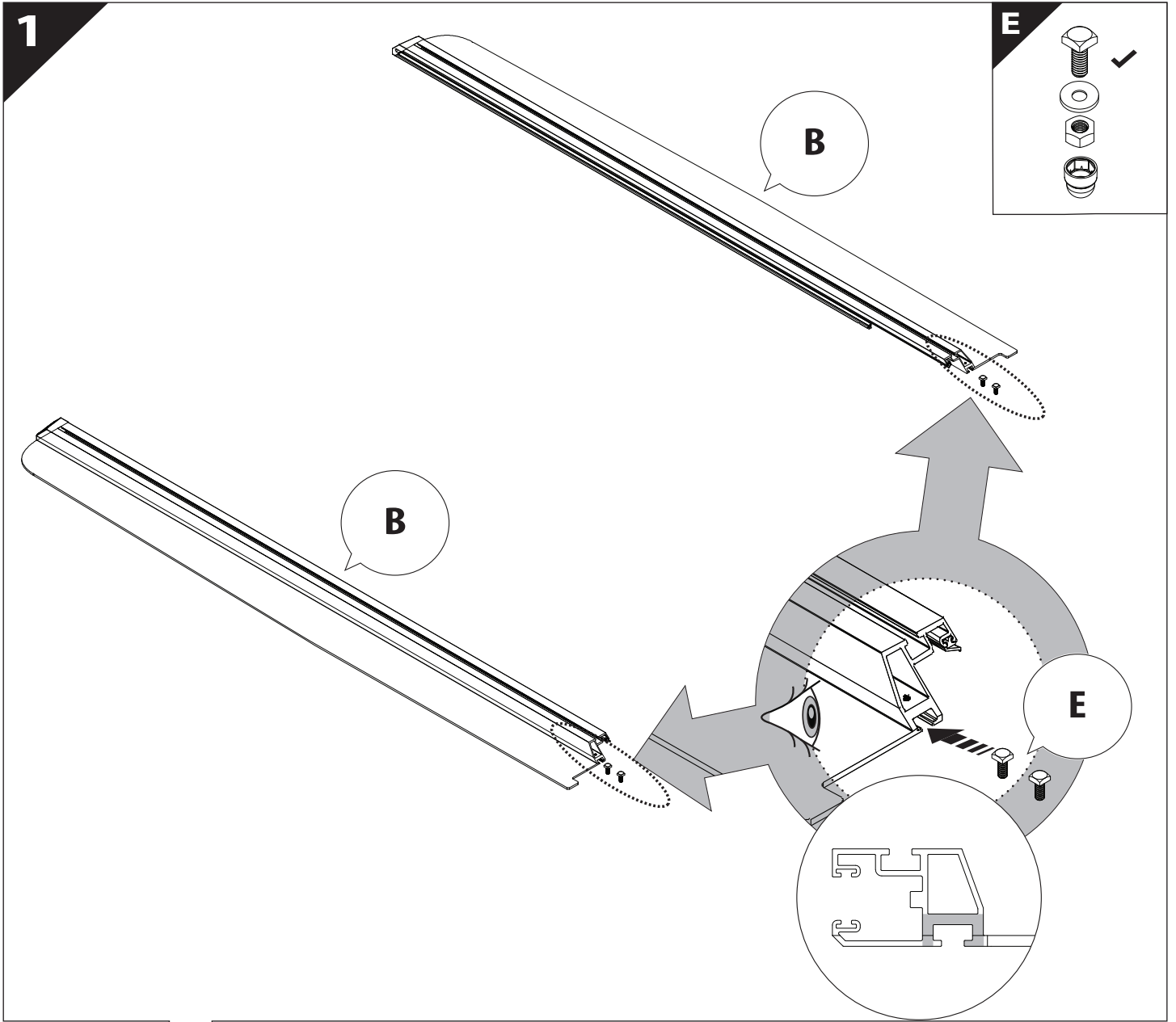


B

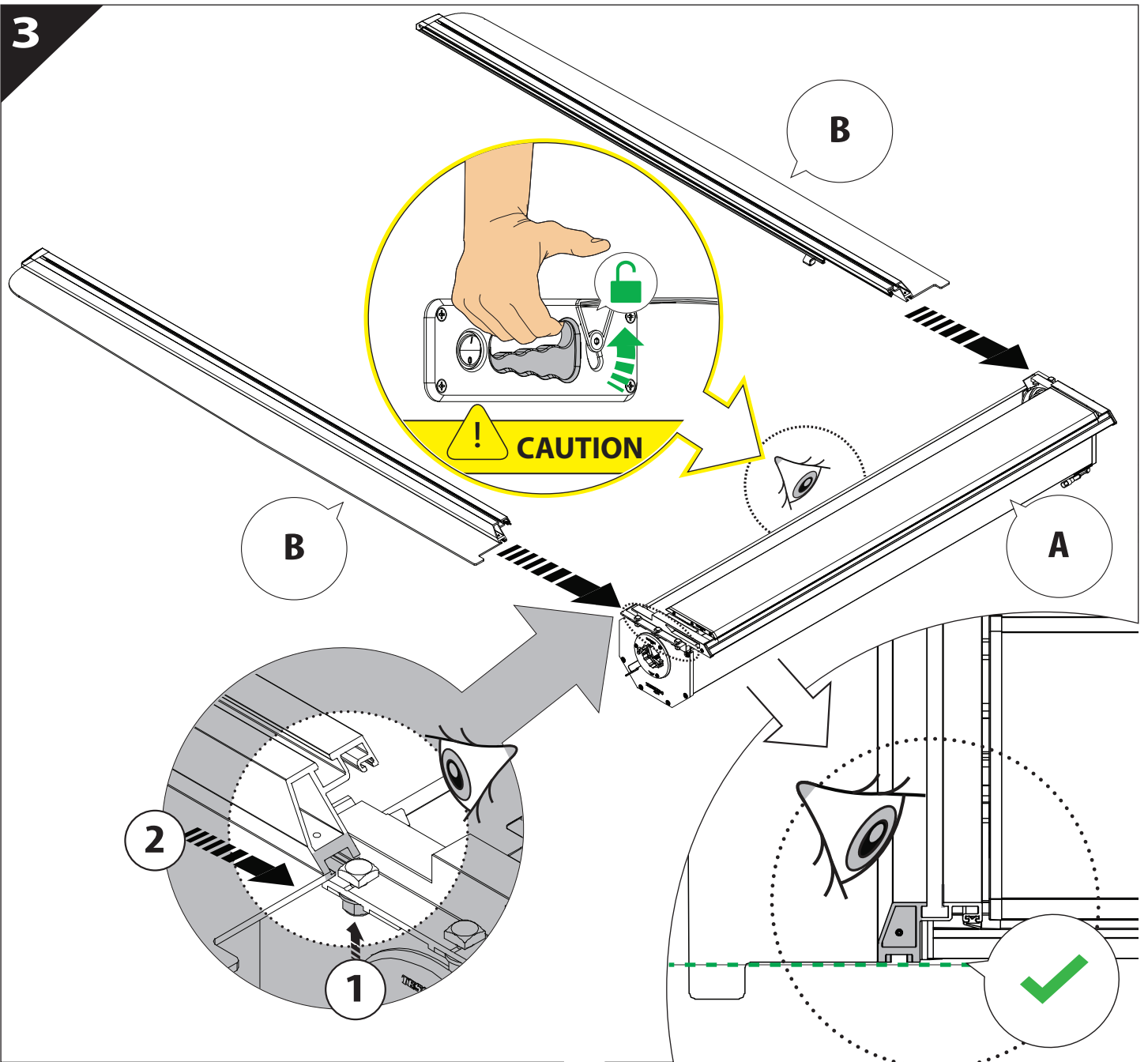
A

KITS

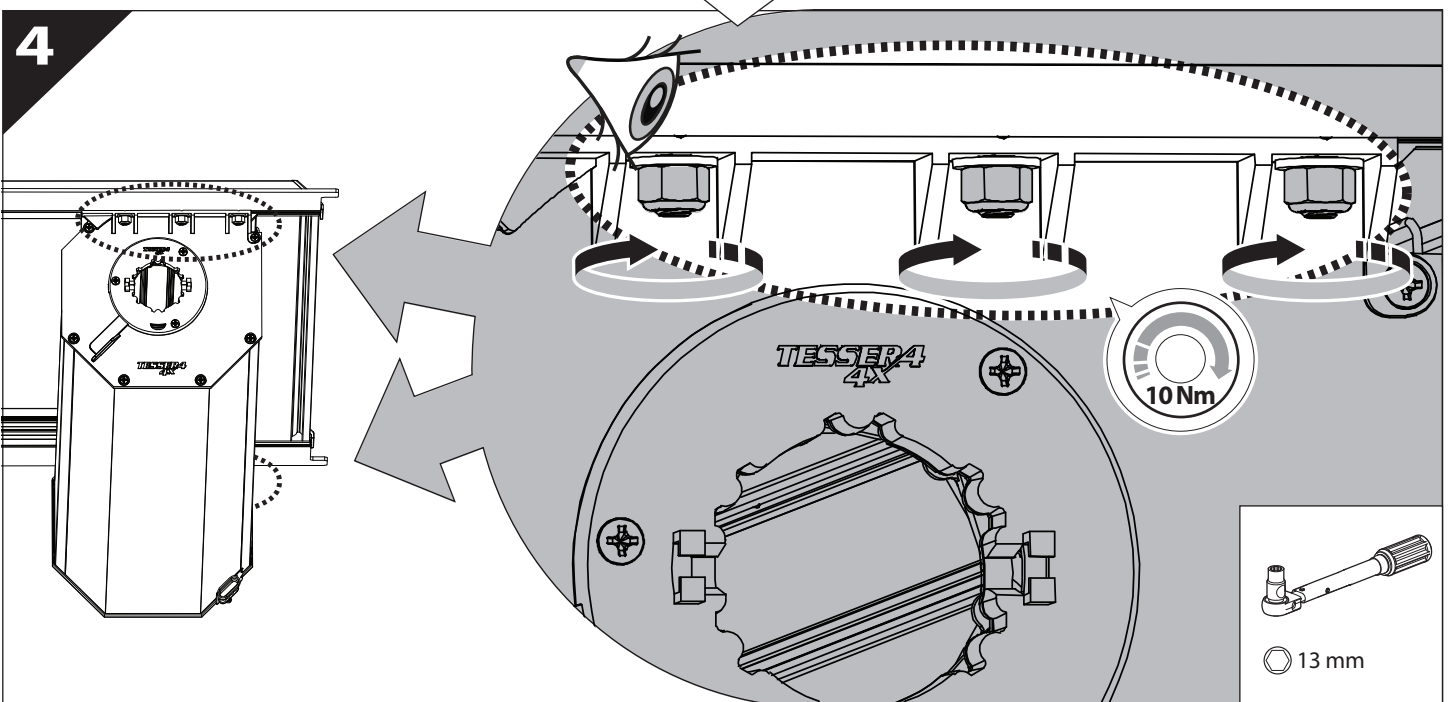
G

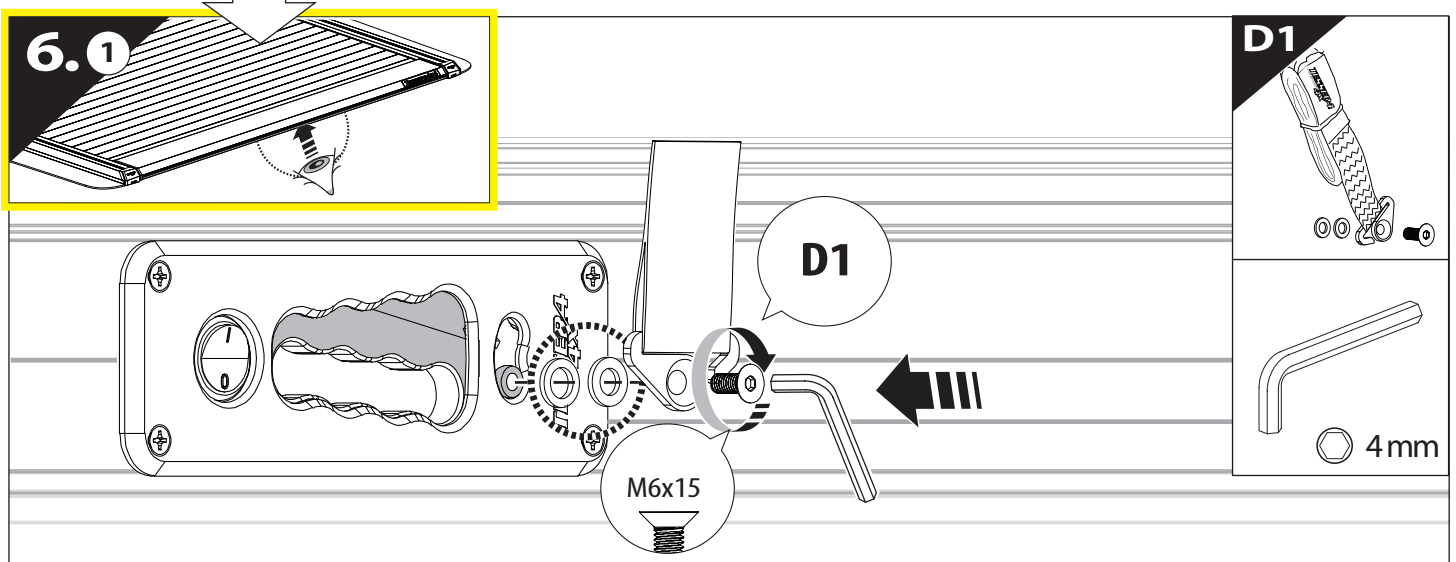
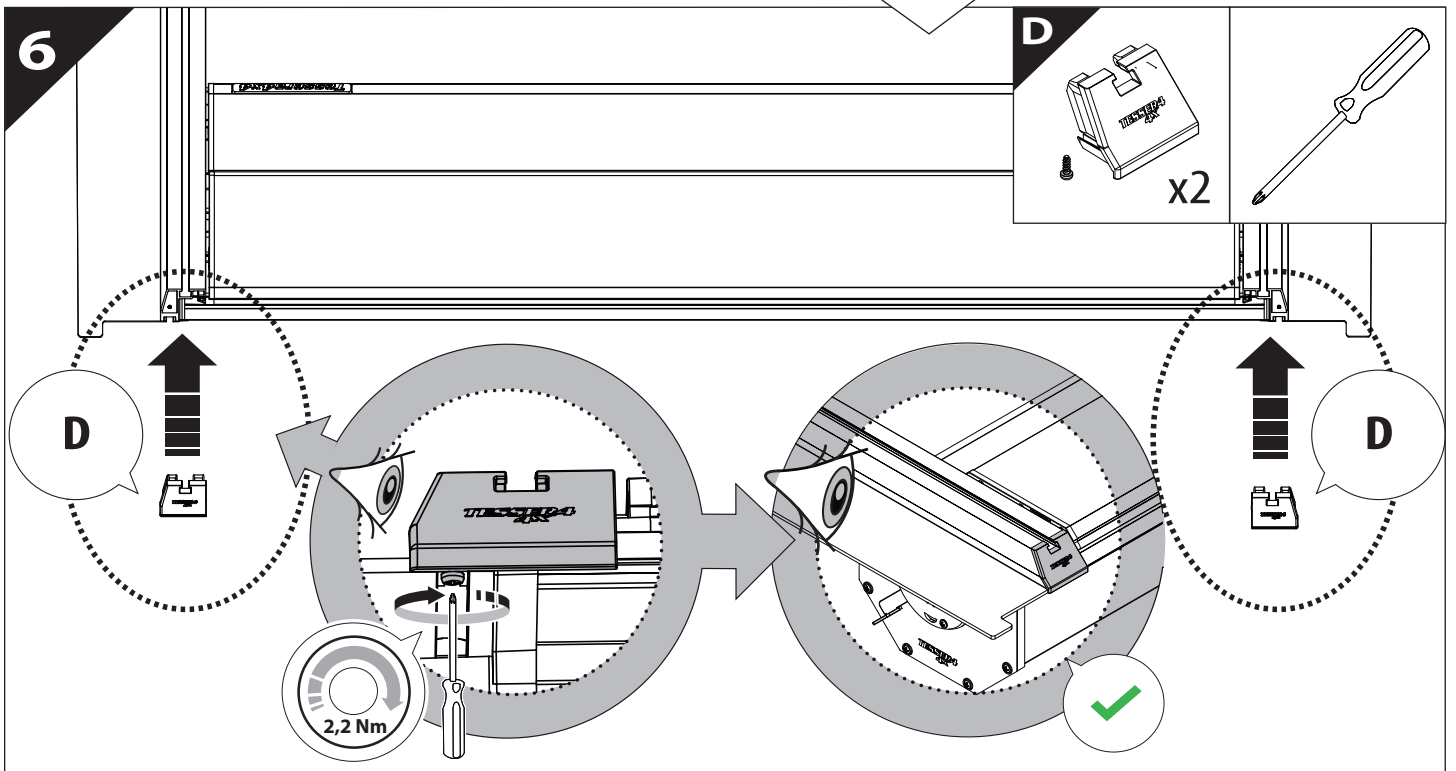
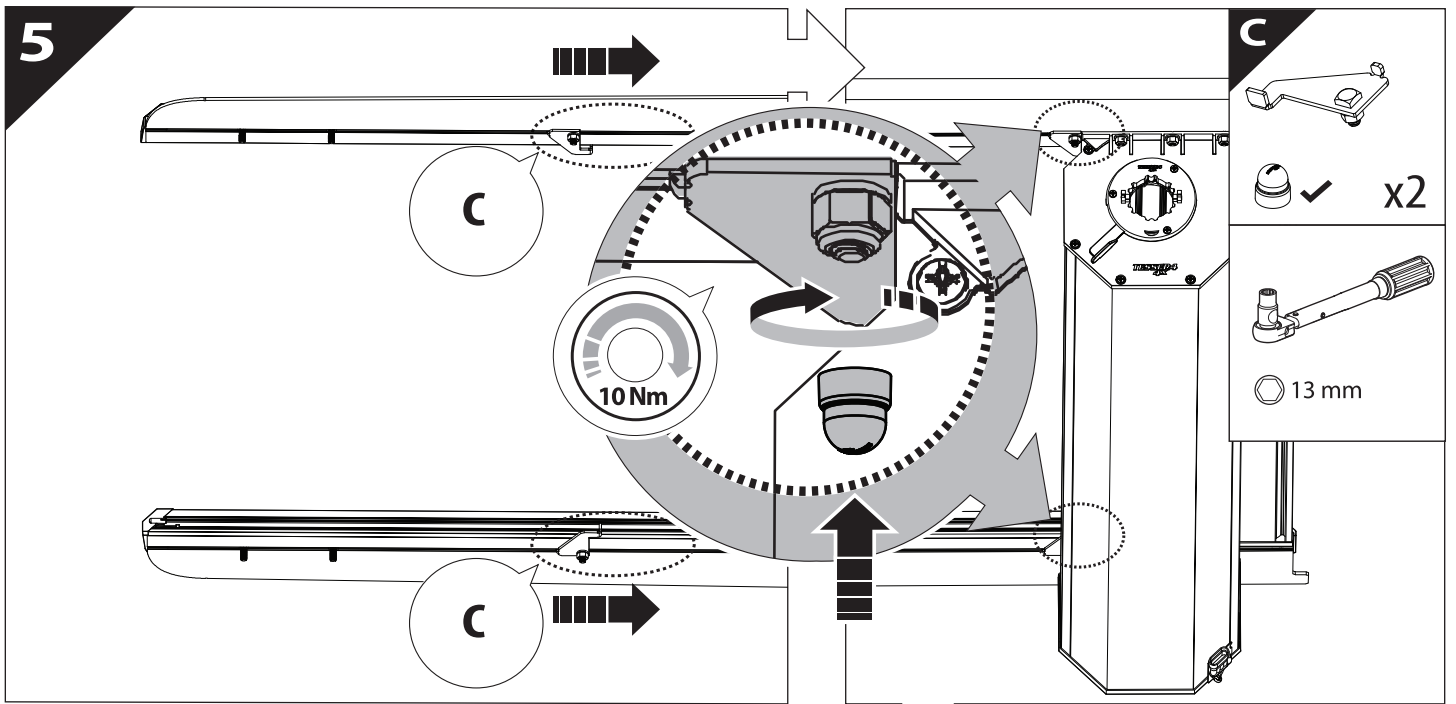


3

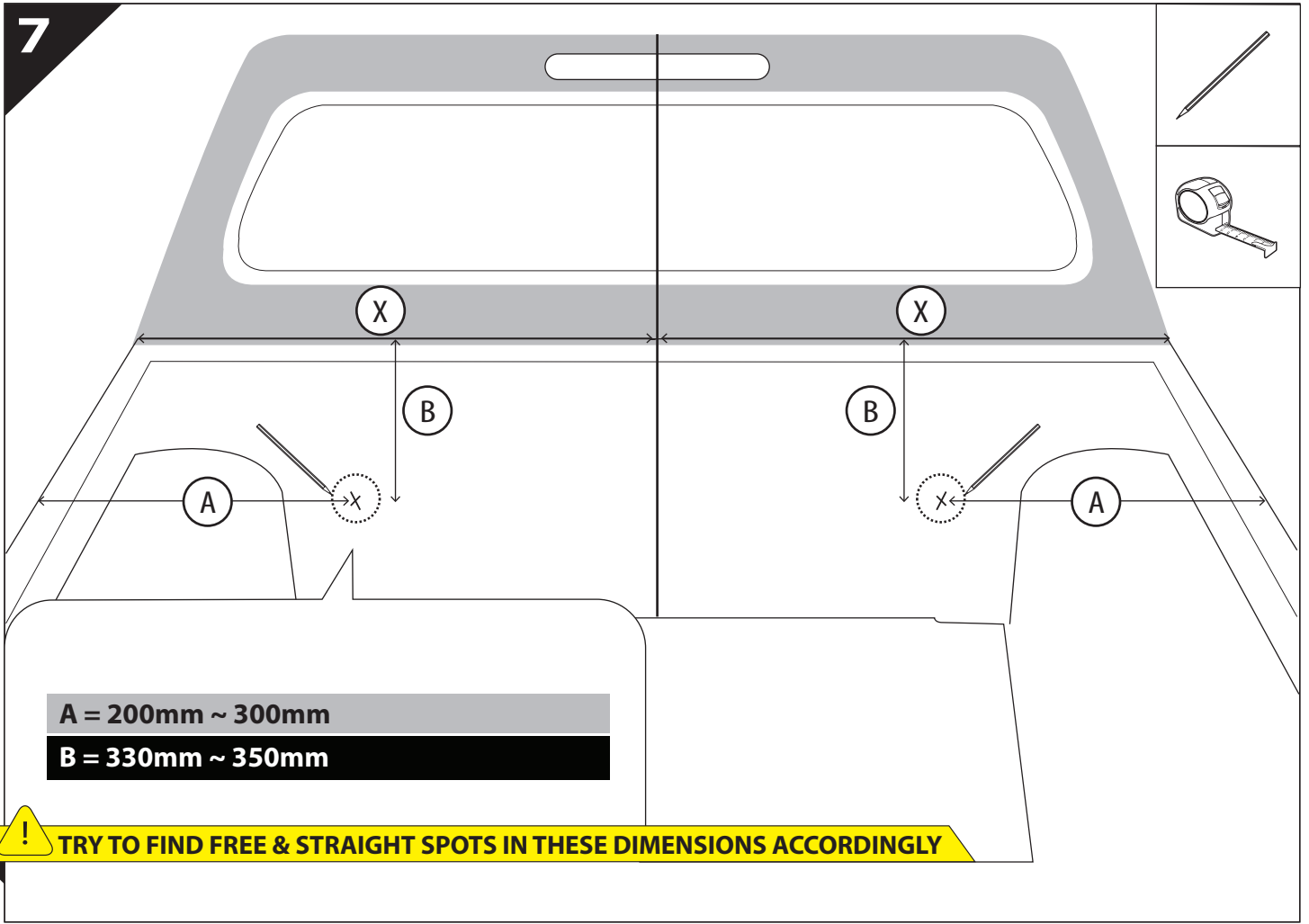
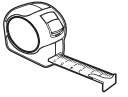


4





7



8



Ø 25 mm



Rust Protection

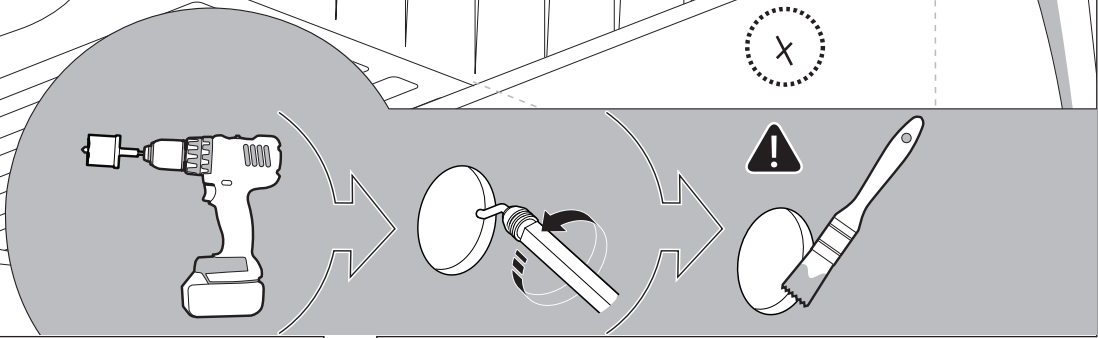
CAUTION

max: 2 mm



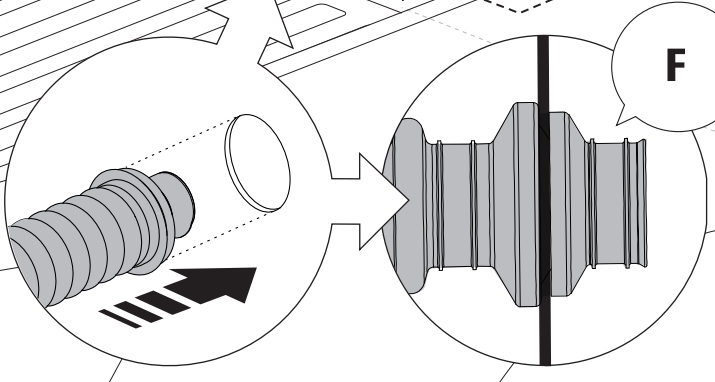
CAUTION

5 mm

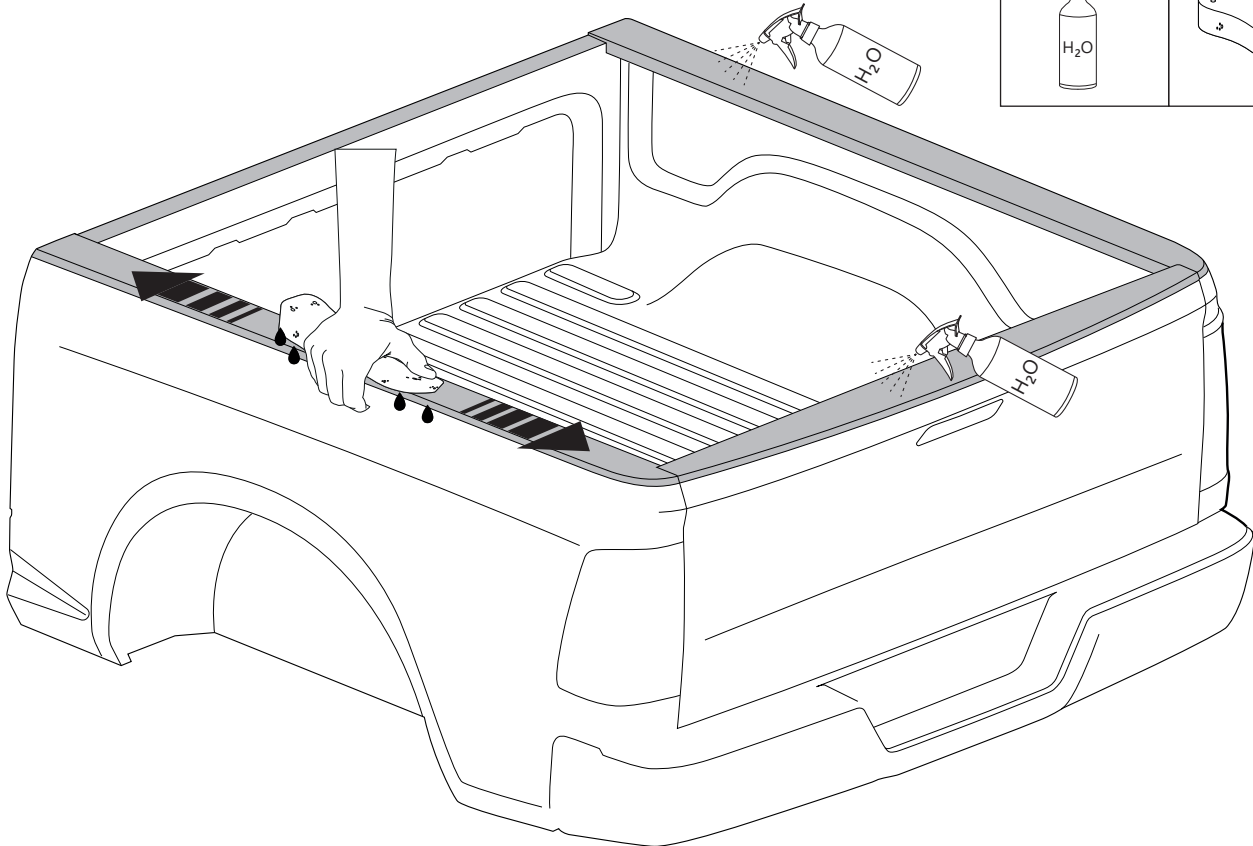
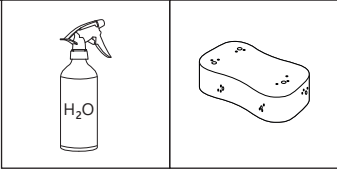


9

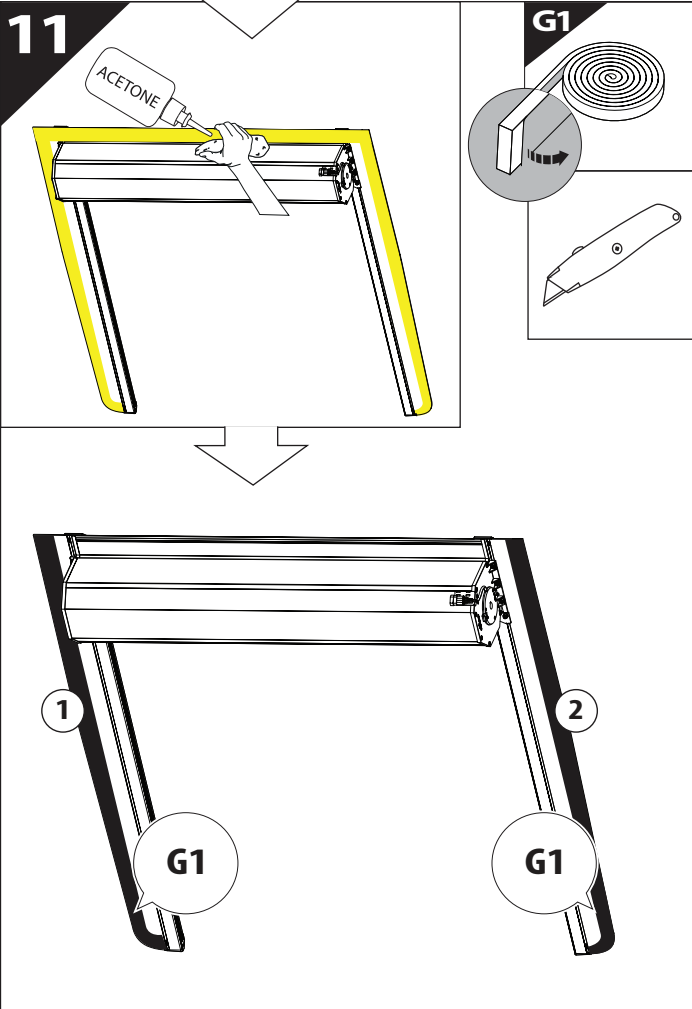
F



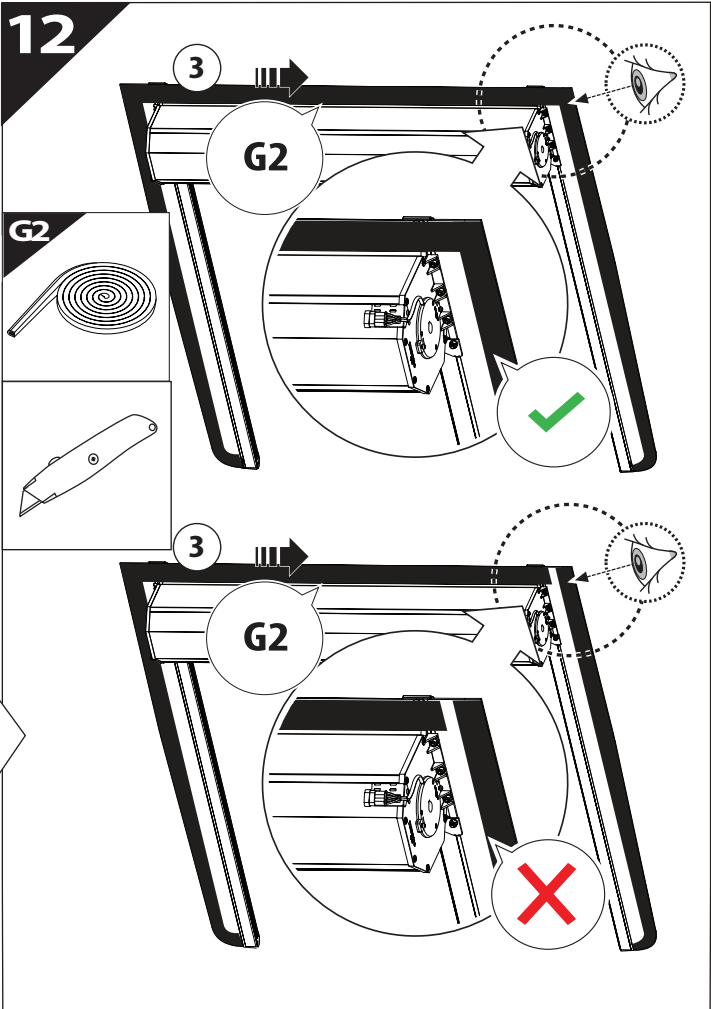
10

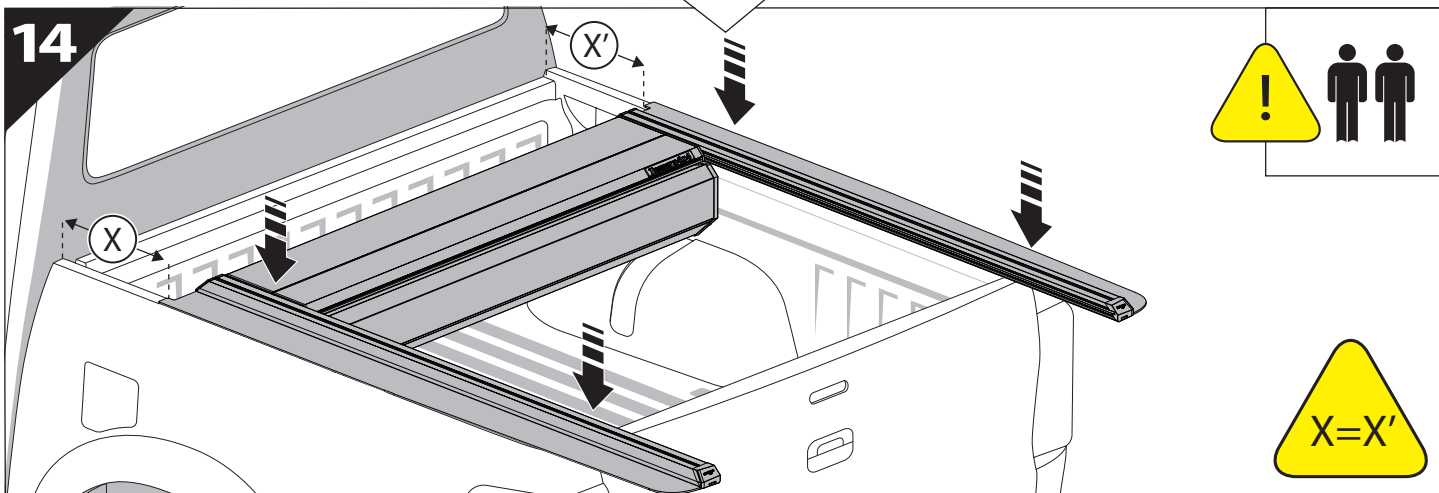
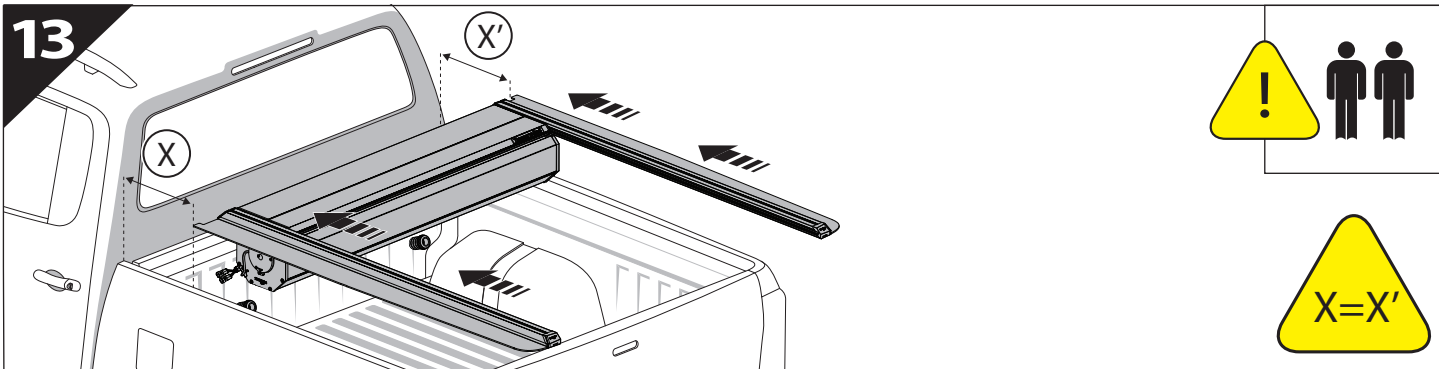


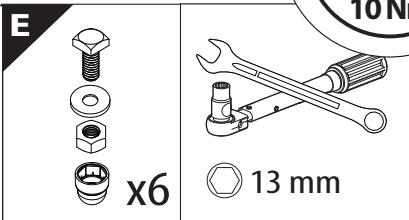
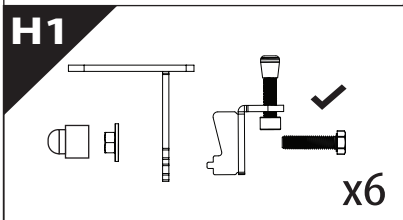
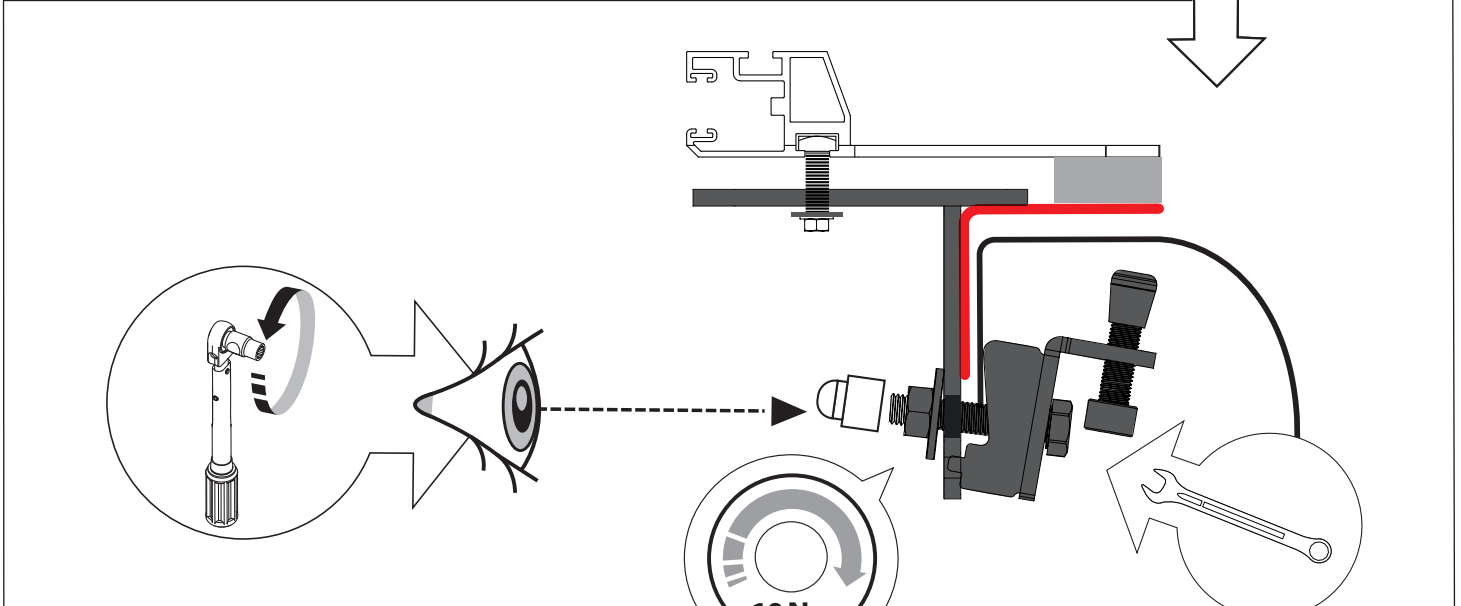
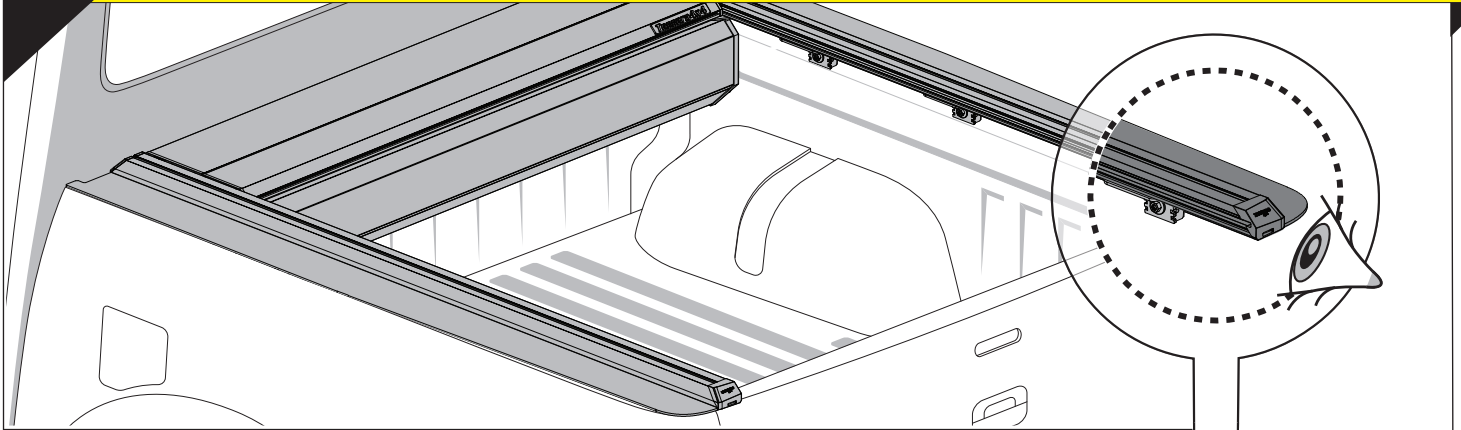
11



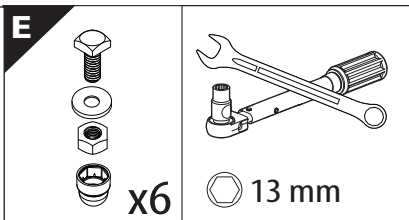
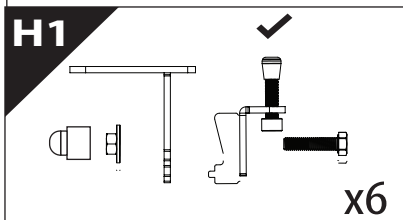
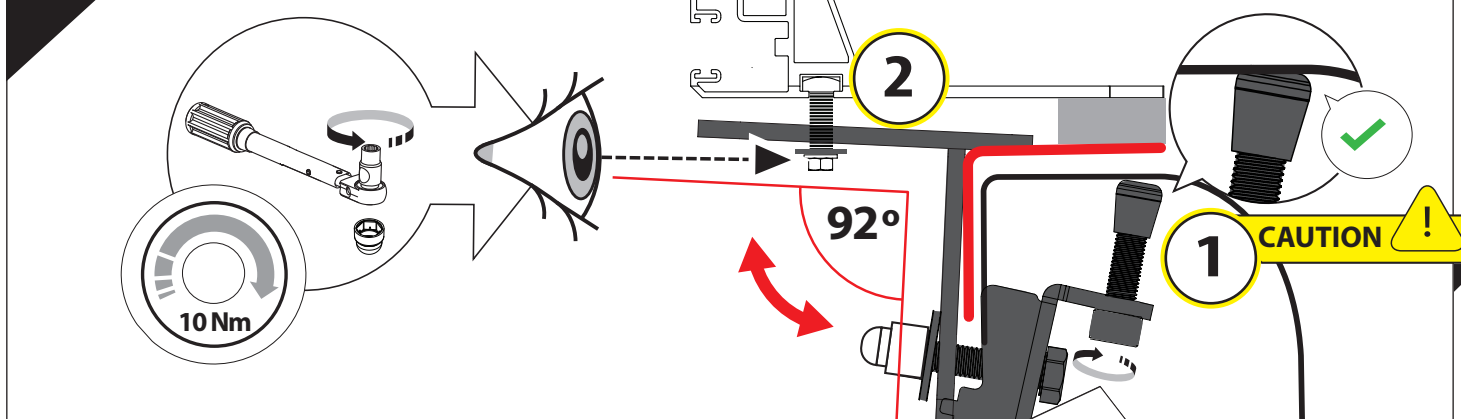
12







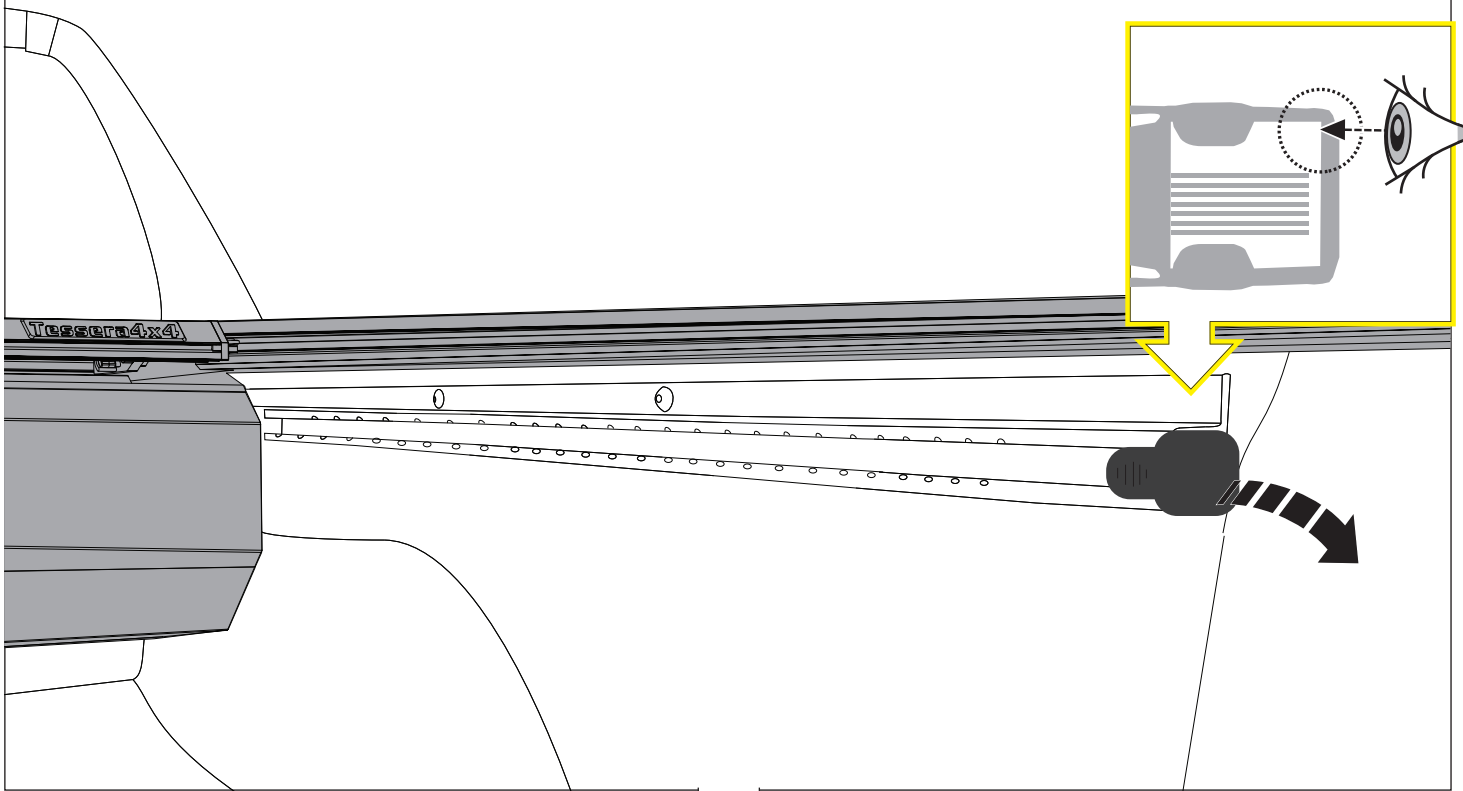
18.1



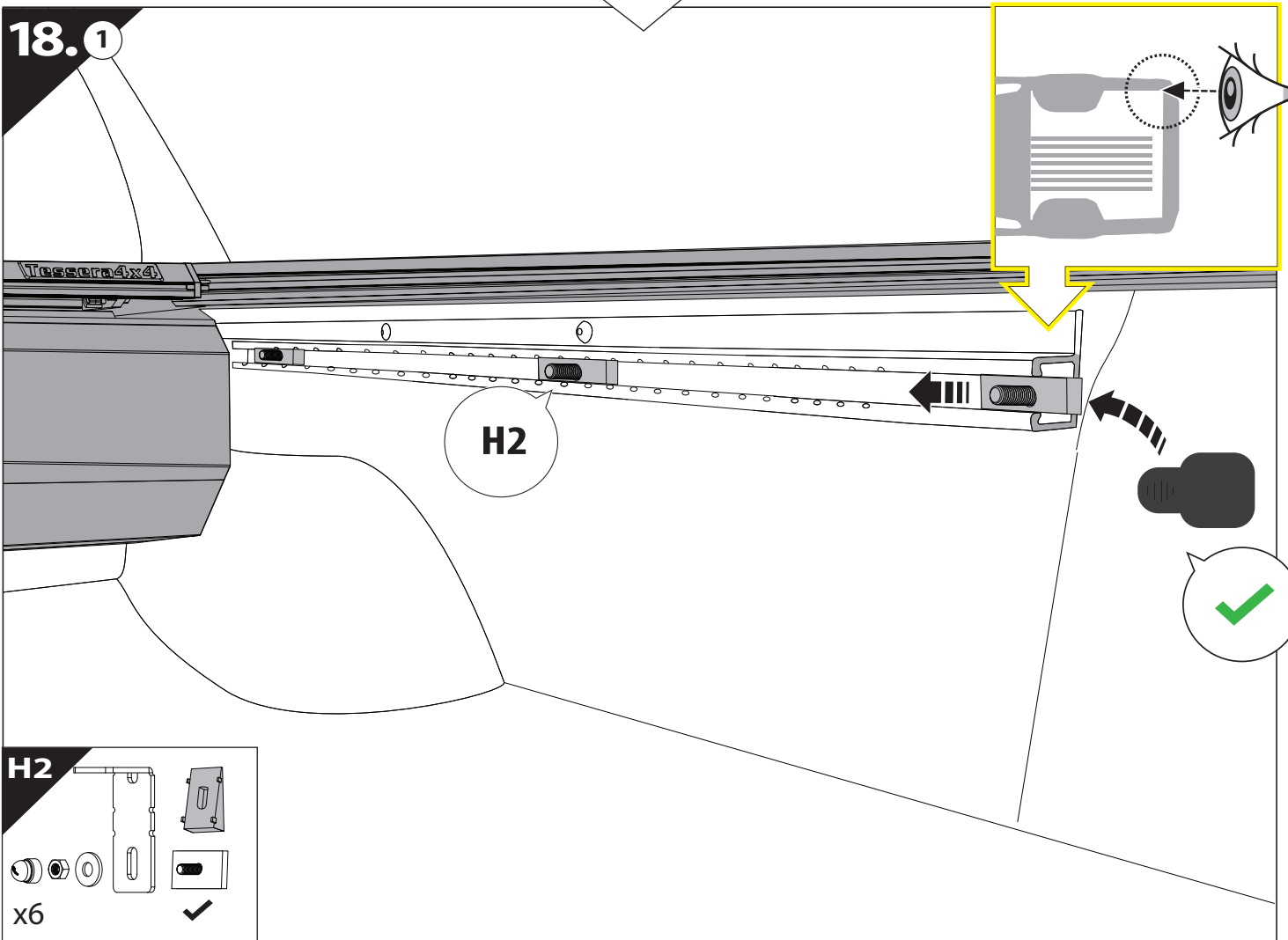
18



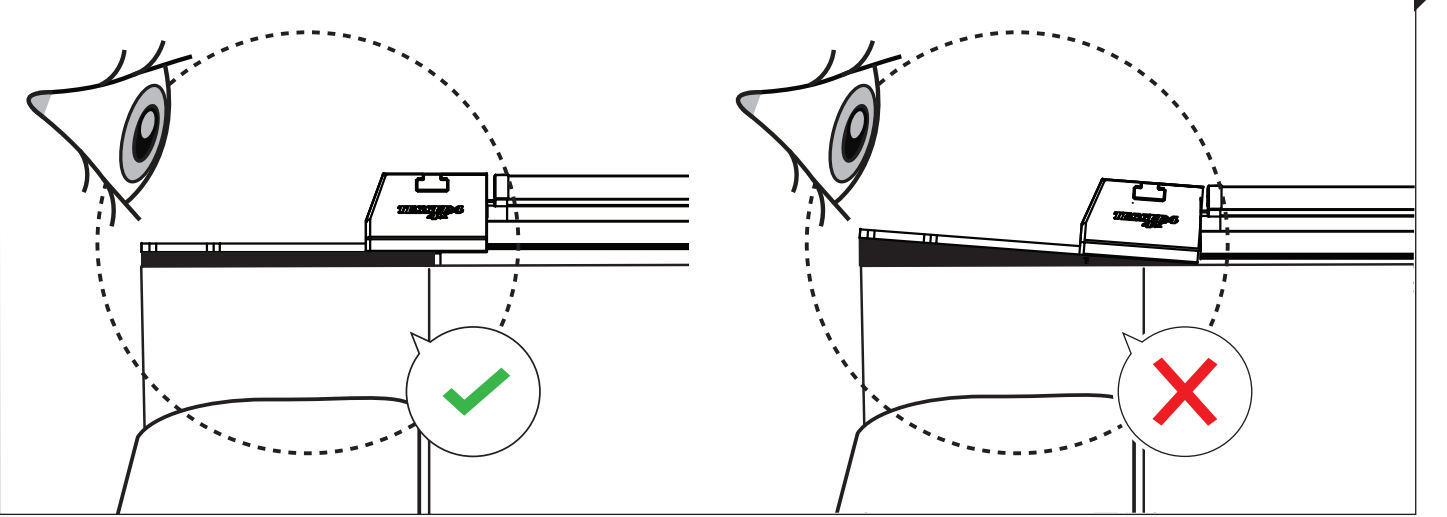
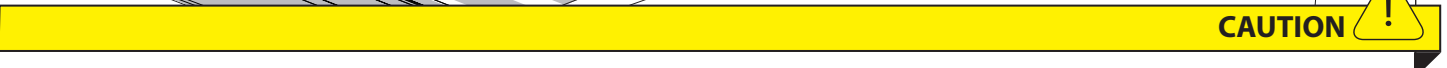
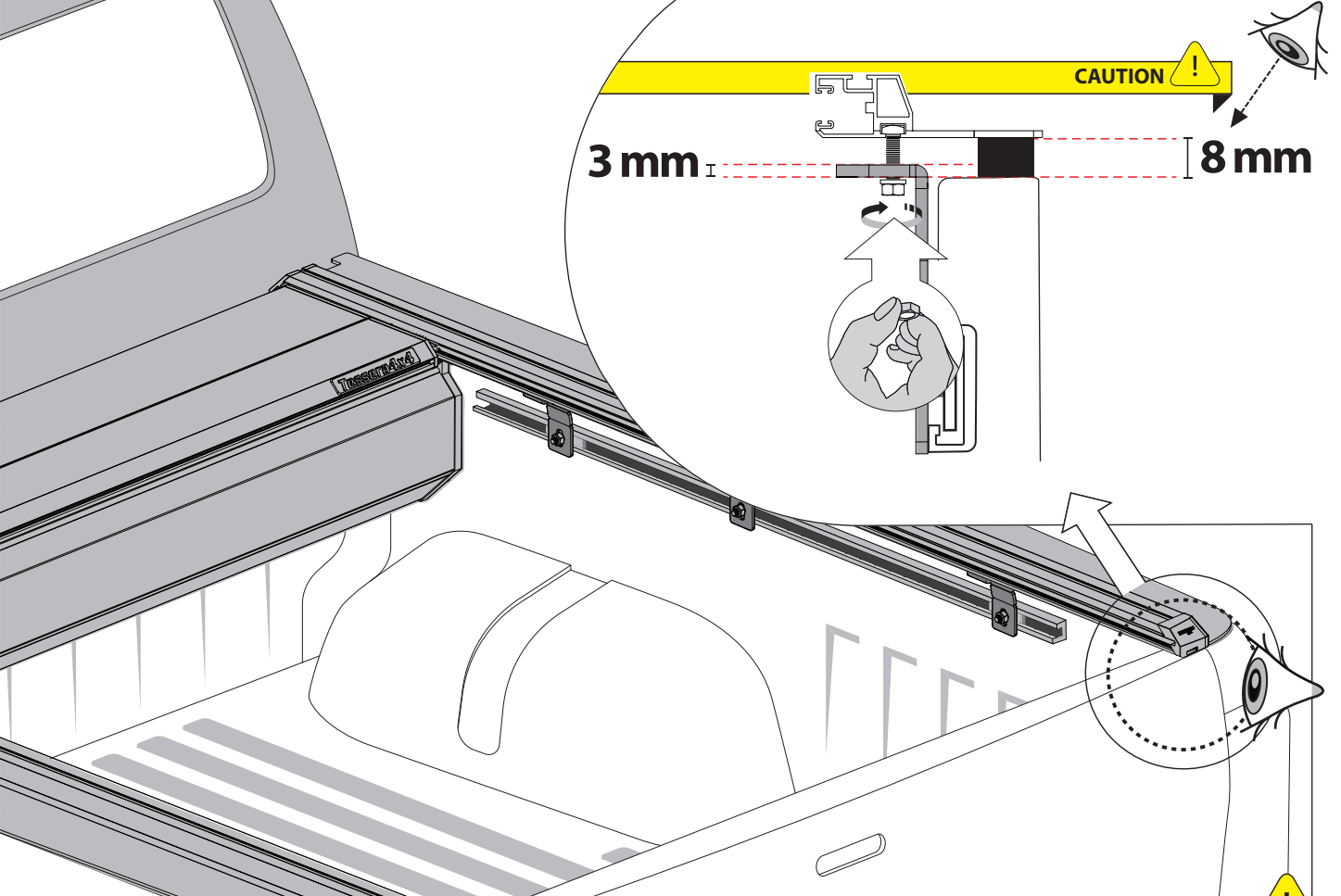
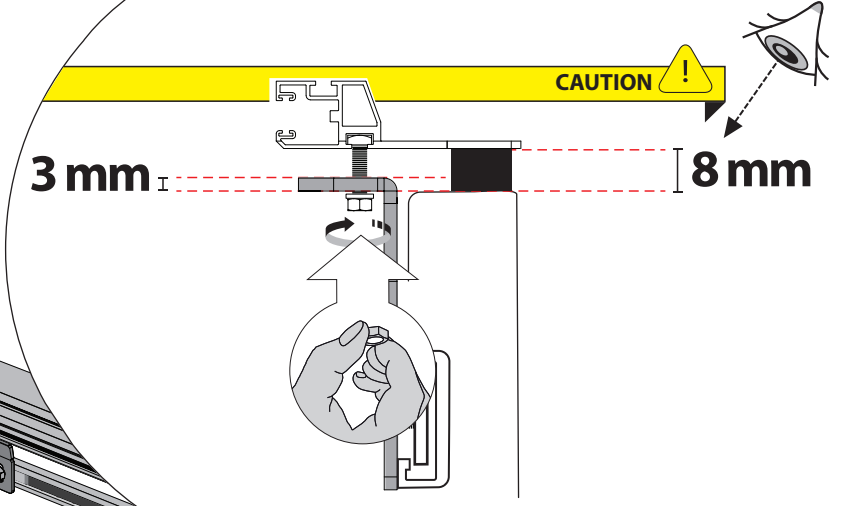
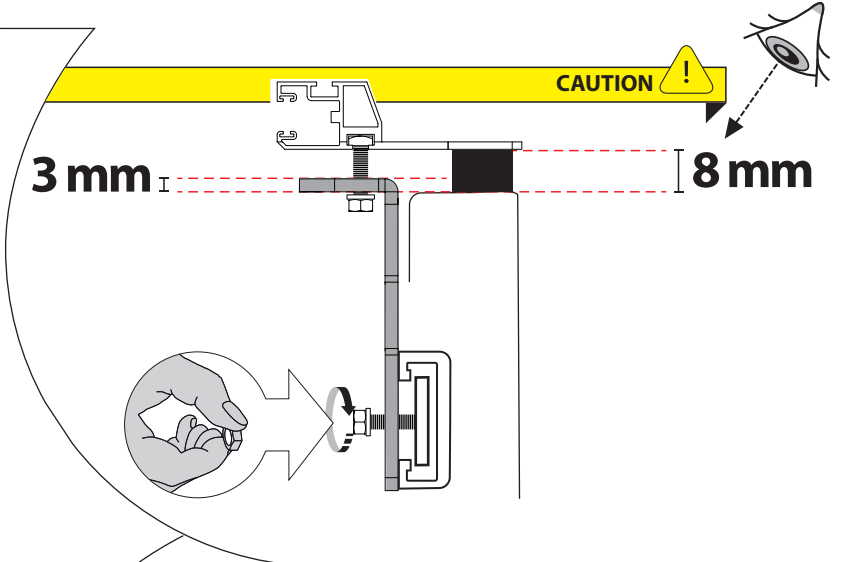
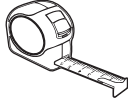
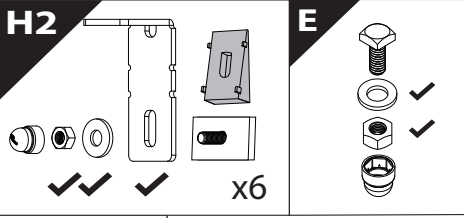
WITH C - CHANNELS



18.1

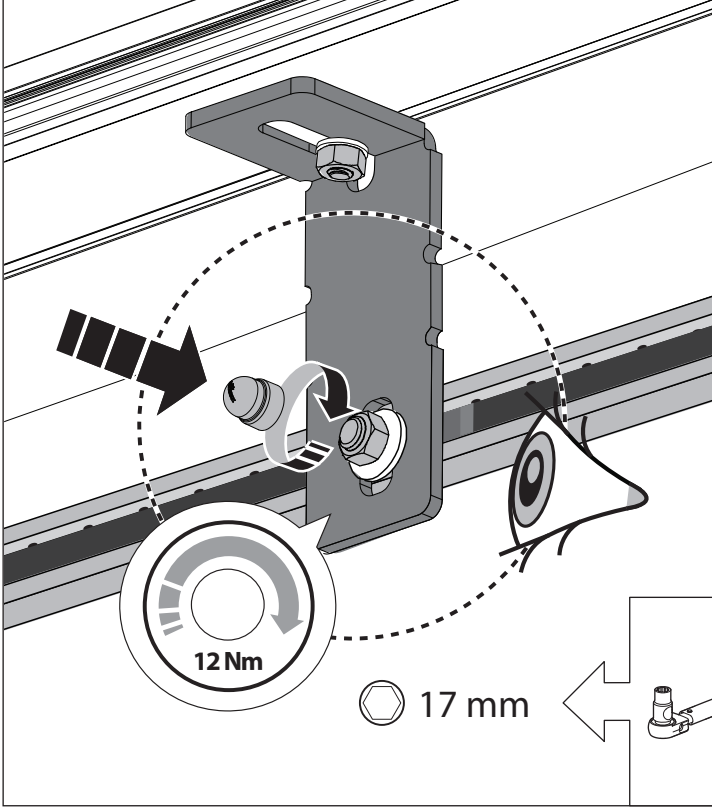
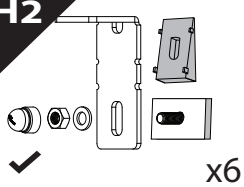


18.2

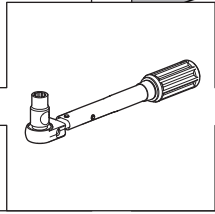
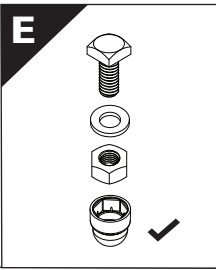
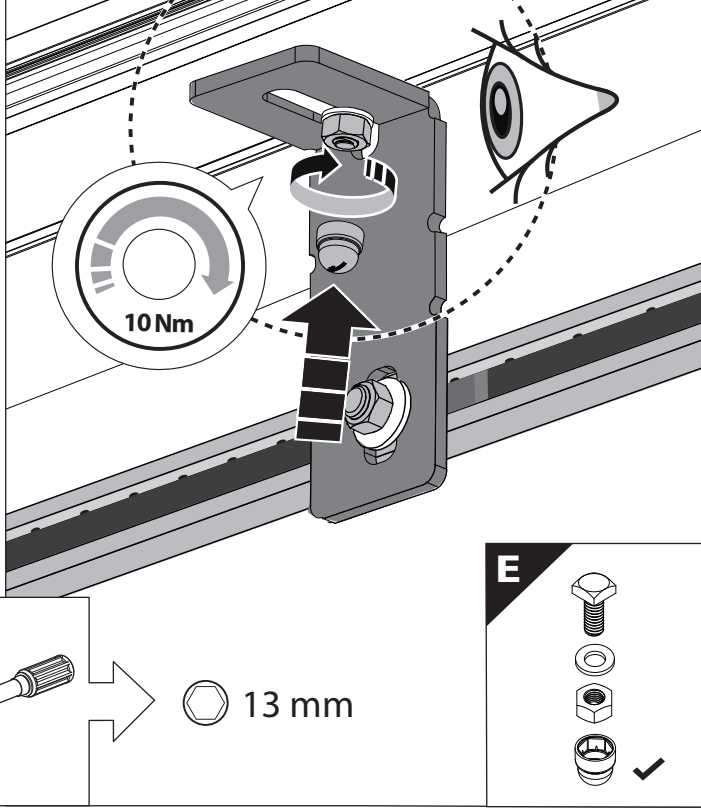


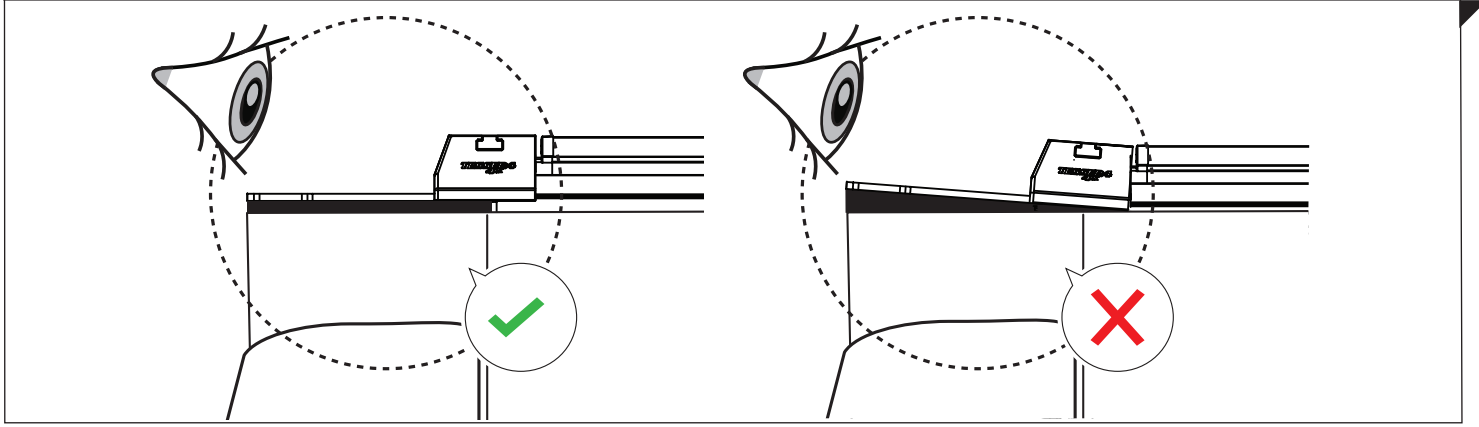
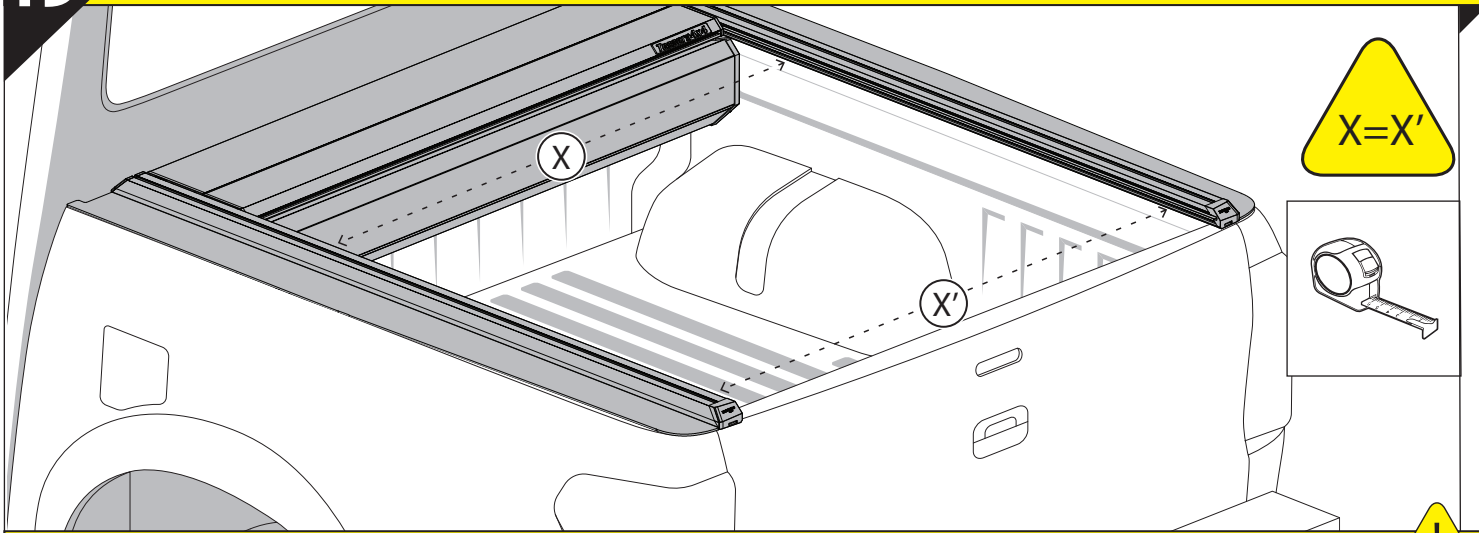
18.3

H2

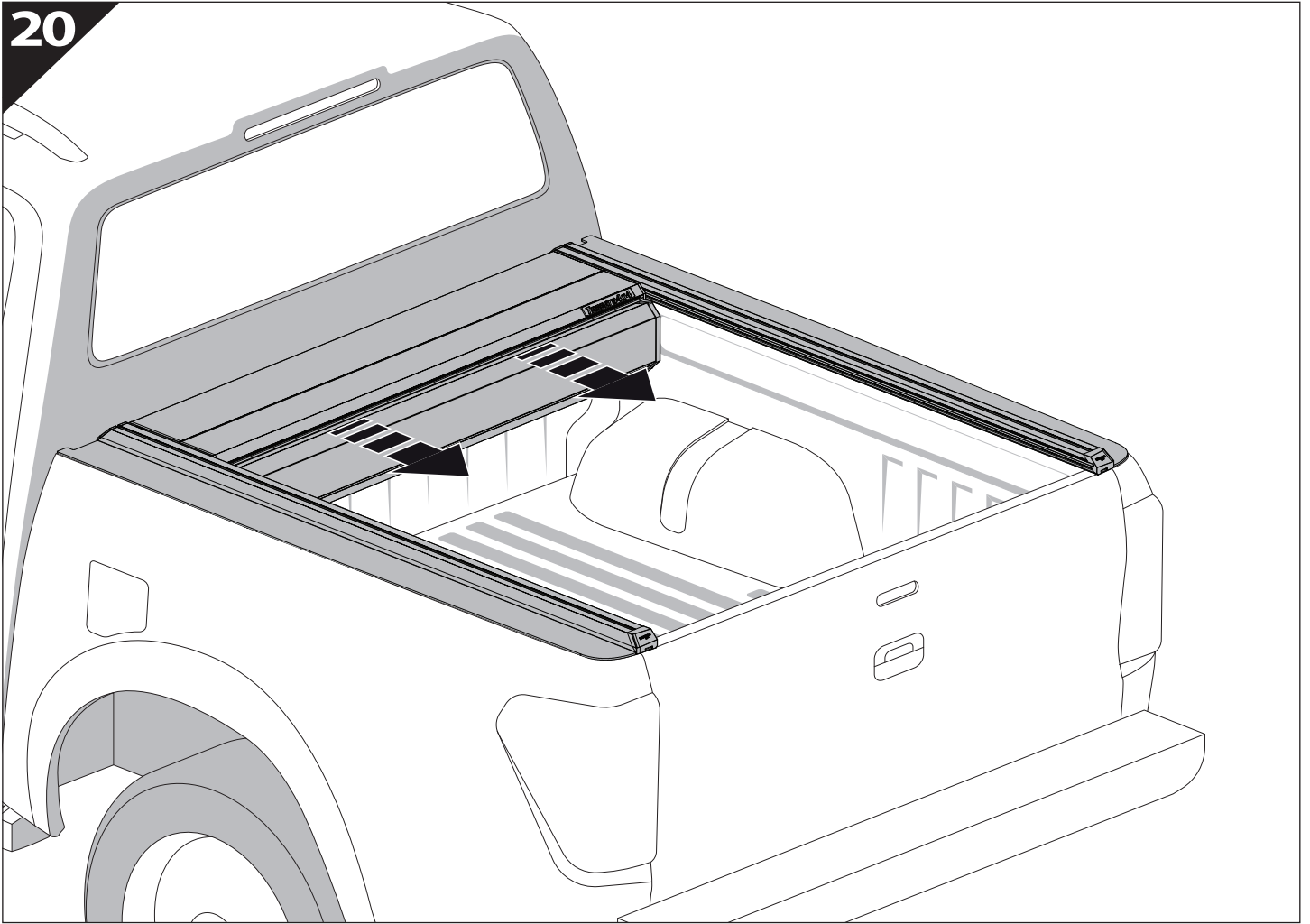


18.4

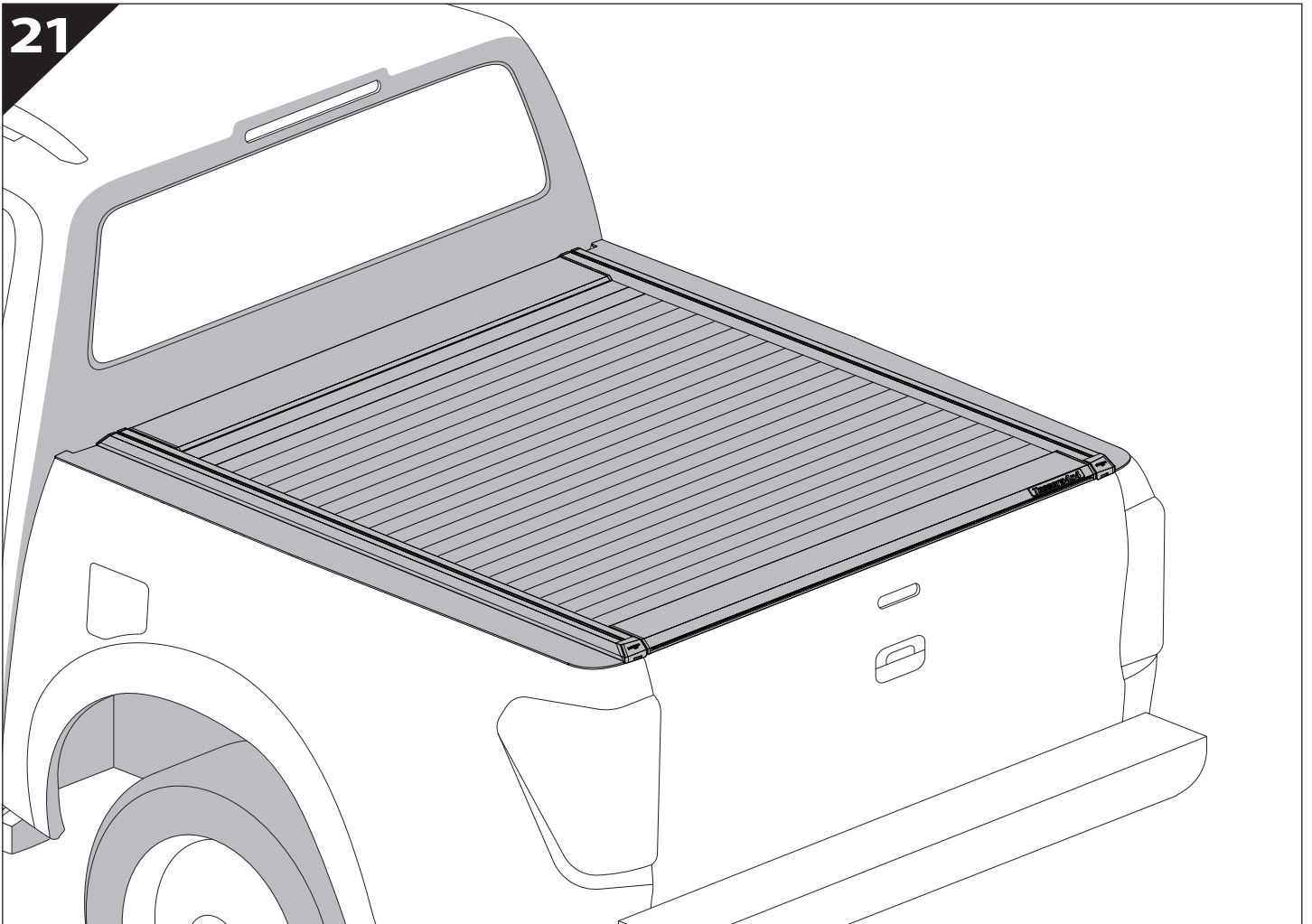




20



21



GR: Οδηγίες Εγκατάστασης
GB: Installation manual
SF: Asennusohje
F: Notice de montage
PL: Instrukcja montażu
NL: Installatie-instructies
TR: Montaj Talimatı
S: Monteringsanvisning
E: Instrucciones de montaje

H: Szerelési utasítás
P: Instruções de instalação
RUS: Инструкция по установке
N: Monteringsveiledning
D: Einbauanleitung
CZ: Návod k instalaci
I: Istruzioni de montaggio
DK: Monteringsvejledning
RO: Instructiuni de instalare

Customer Service:

+30 (210) 5541161, +30 (210) 5541154 (08:00 - 16:00 EET)

Support department:

info@gianso.gr

Website:

www.tessera4x4.com

Address:

19.5 km of National road Athens-Korinthos (Elefsina) Greece, P.C: 19200