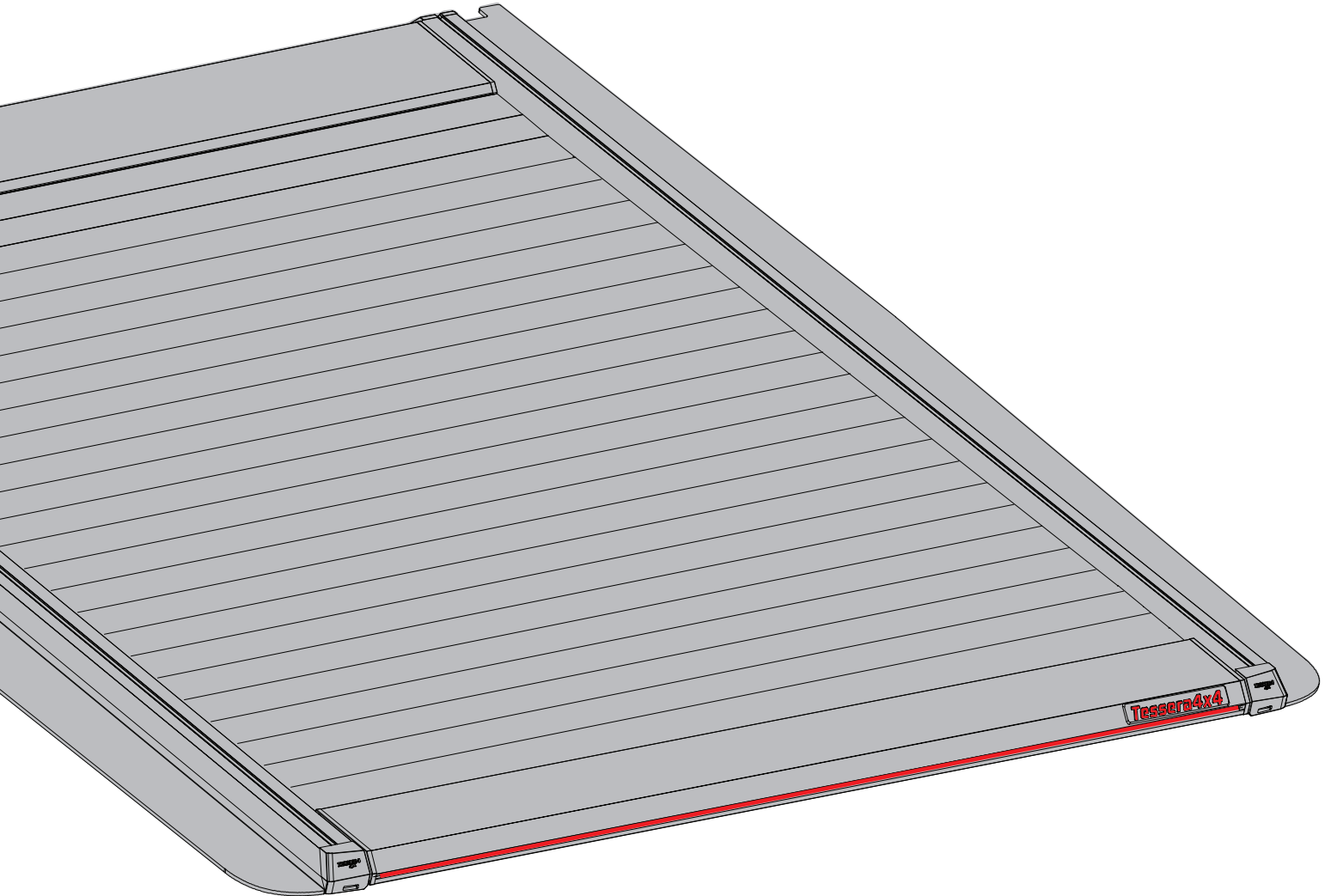


# Tessera Roll+

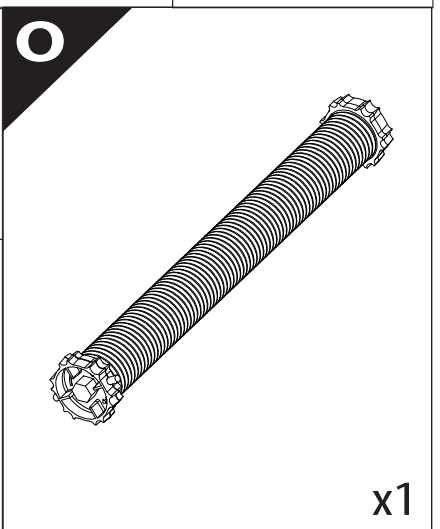
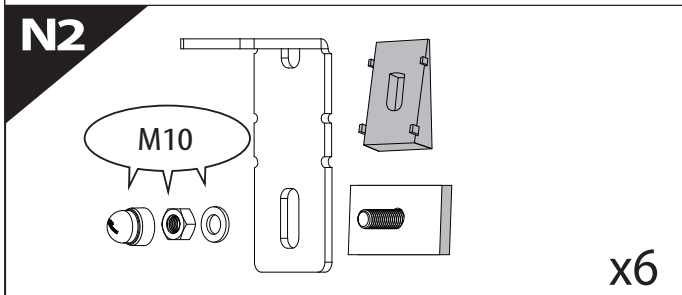
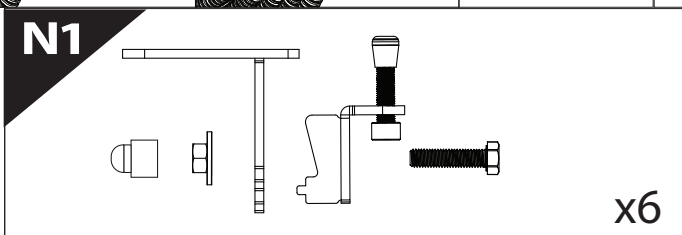
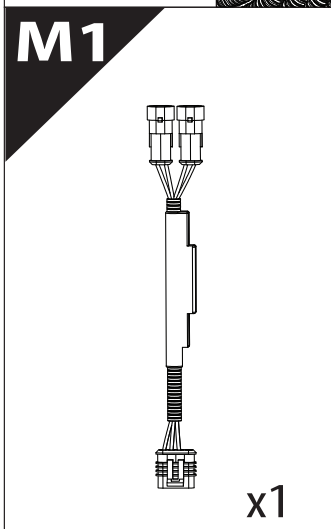
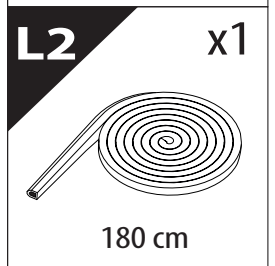
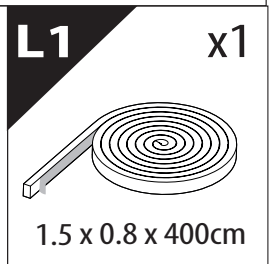
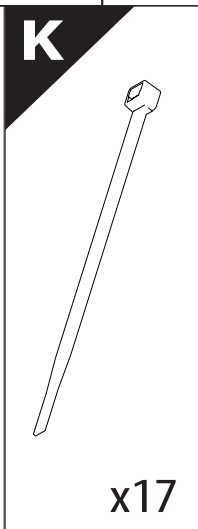
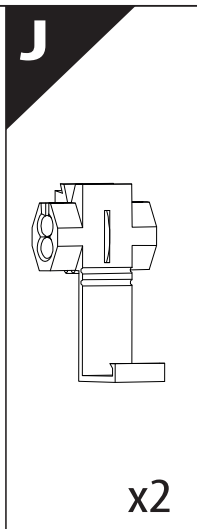
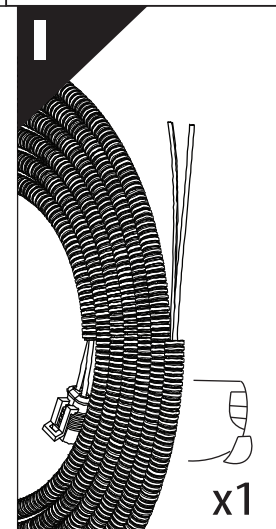
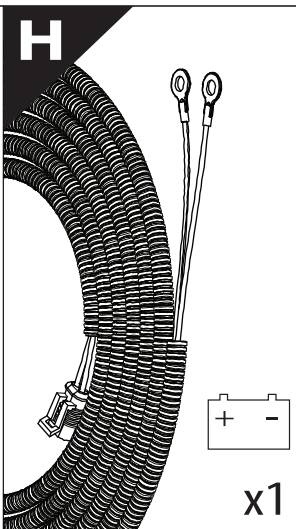
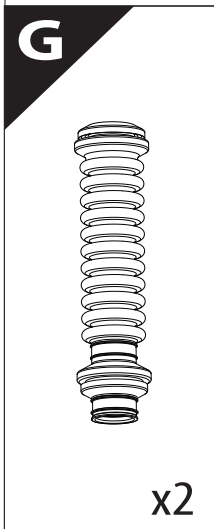
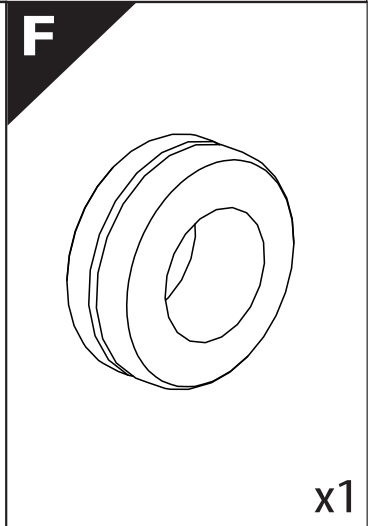
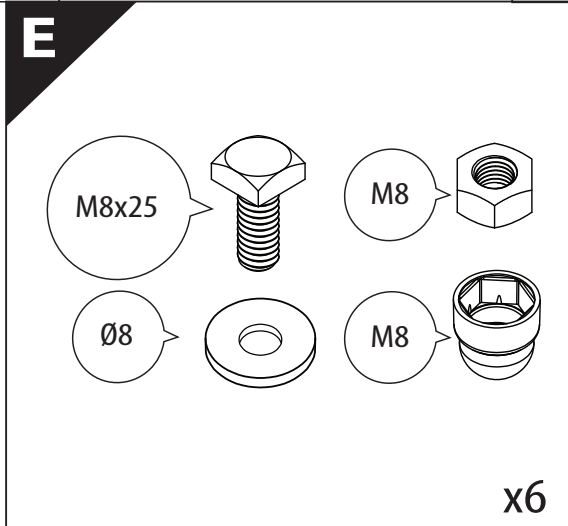
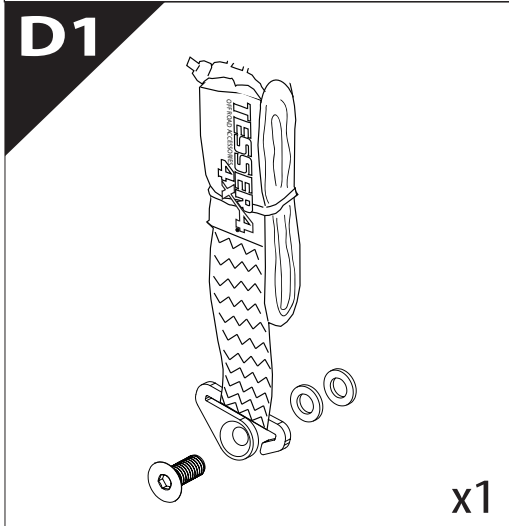
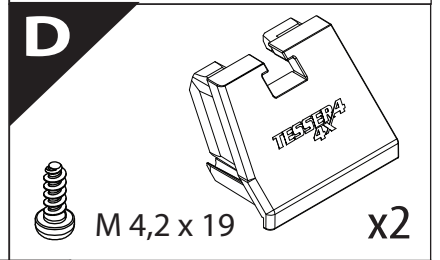
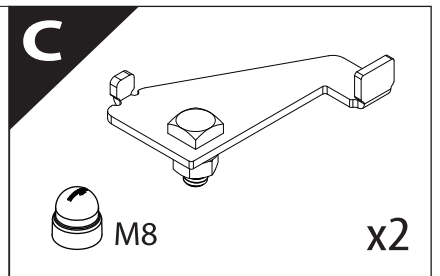
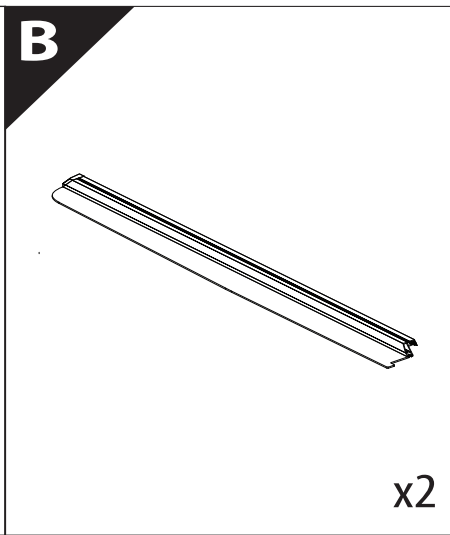
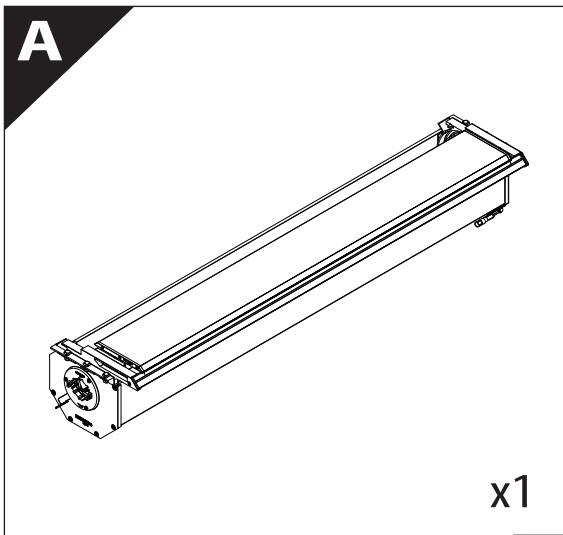
## Basic Version + ⚙️ S-KIT

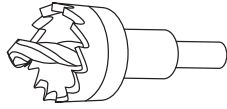


## Installation Manual

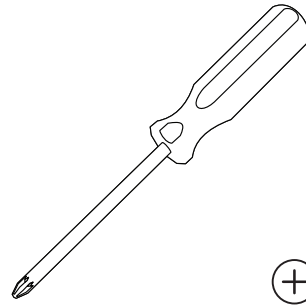
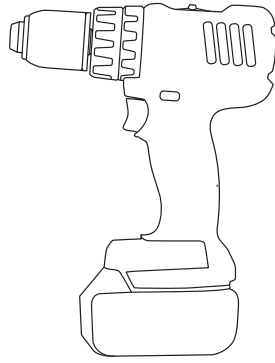
PART NUMBER(S)	Model Year
TESS 1431 ROLL+ S-KIT	Toyota Tundra 2014 ->2021 & 2022+ (with and without c-channels)
TESS 14311 ROLL+S-KIT	
Cab(s)	Installation Time / Weight
5.5 Feet & 6.5 Feet	40-60 minutes / 53-57 kg



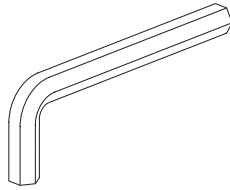
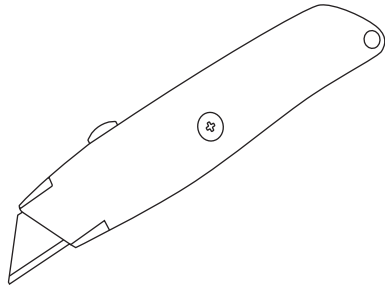
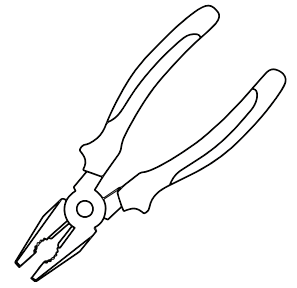




Ø 25 mm

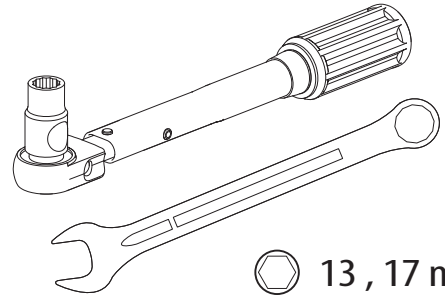


+



4 mm

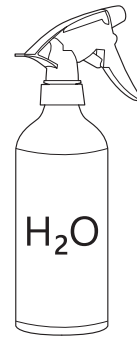
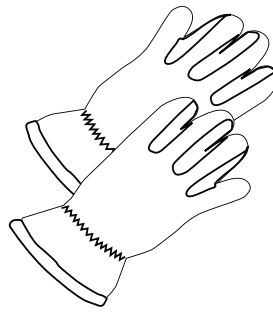
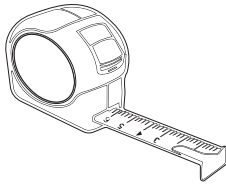
1 - 25 Nm



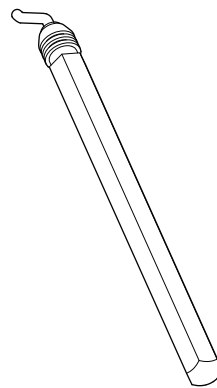
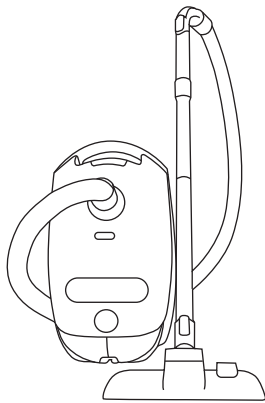
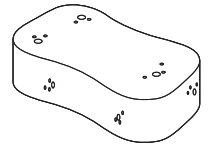
13, 17 mm



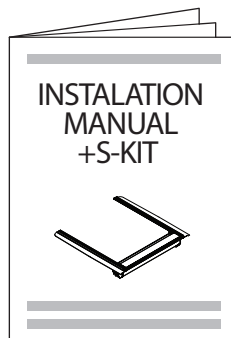
ACETONE



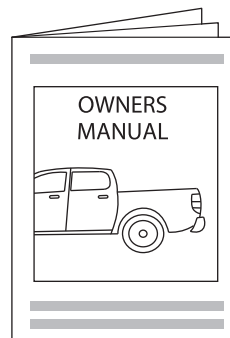
H<sub>2</sub>O



ANTI-RUST



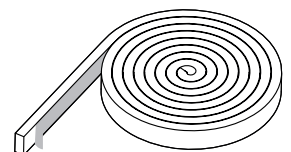
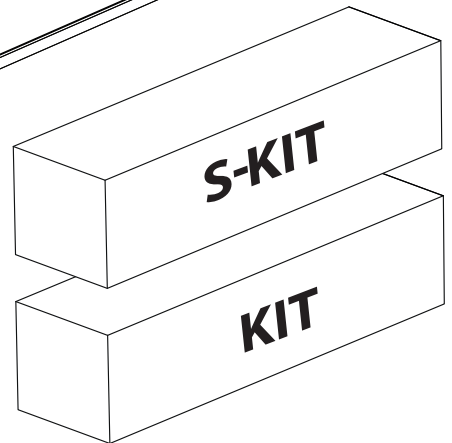
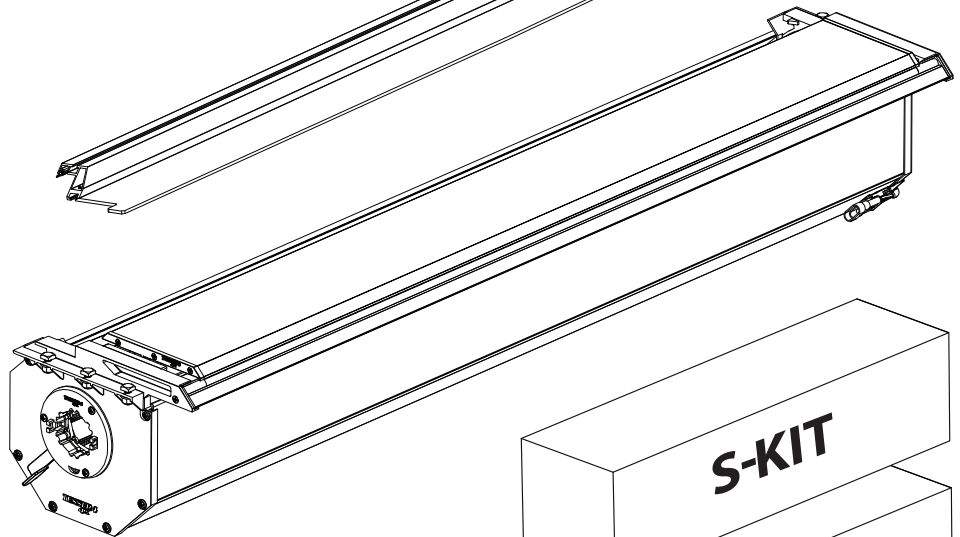
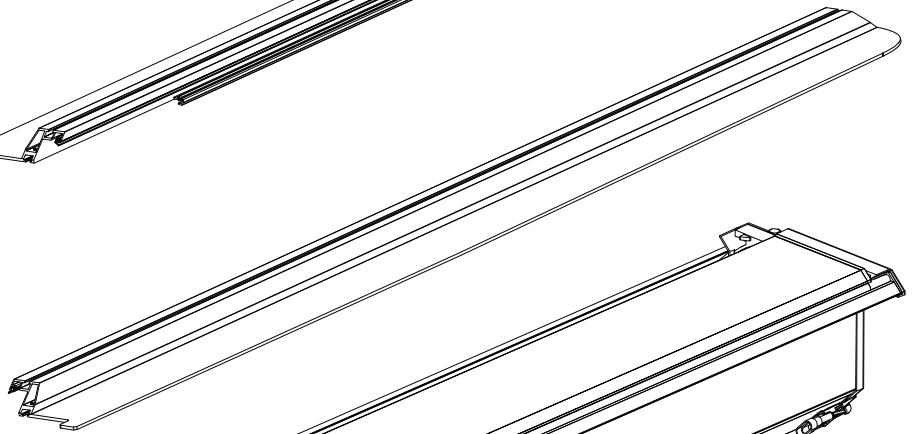
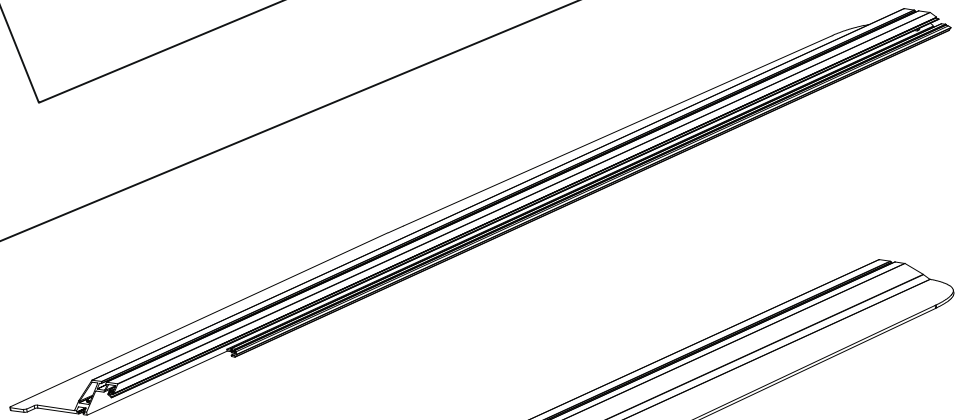
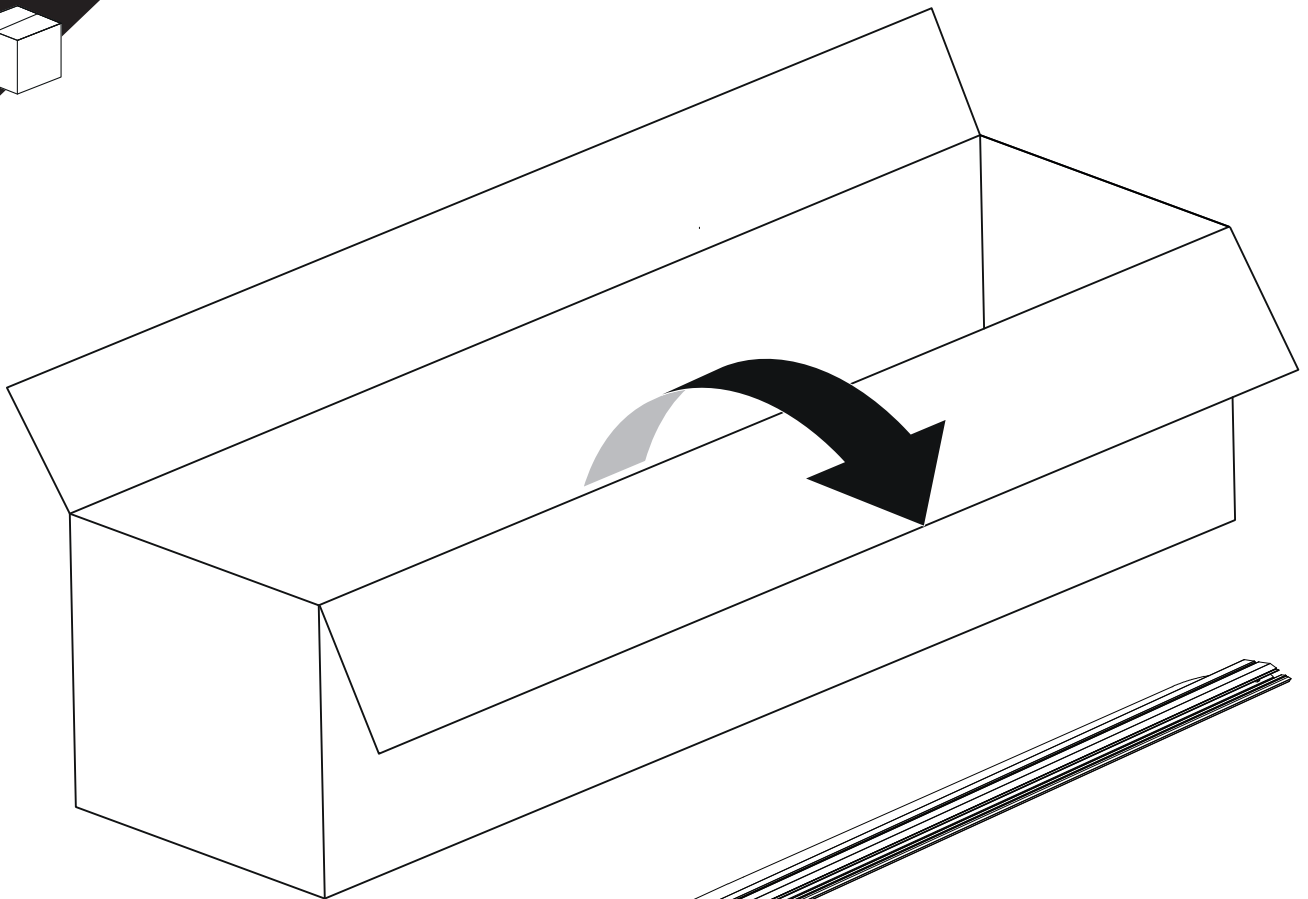
INSTALLATION  
MANUAL  
+S-KIT



OWNERS  
MANUAL



x1

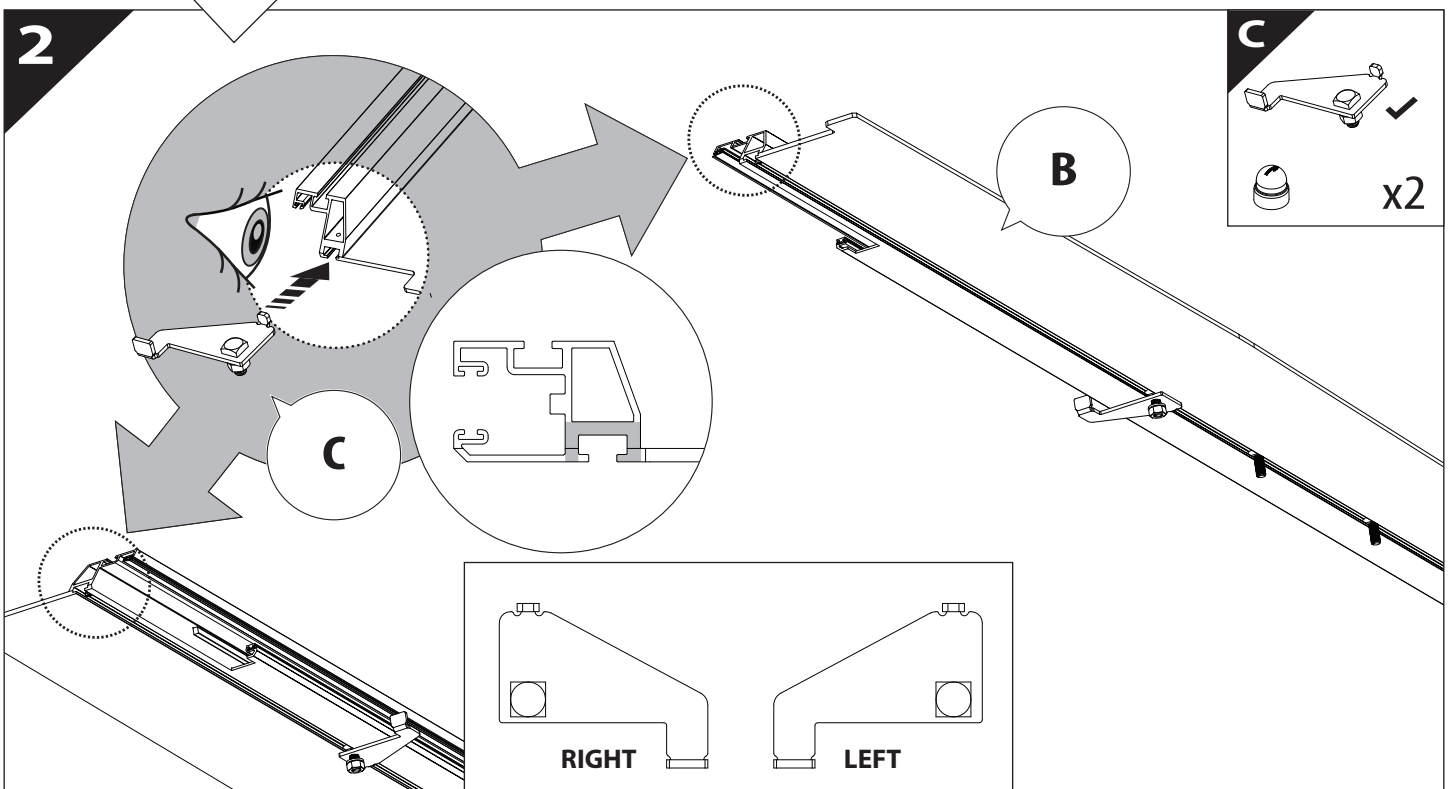
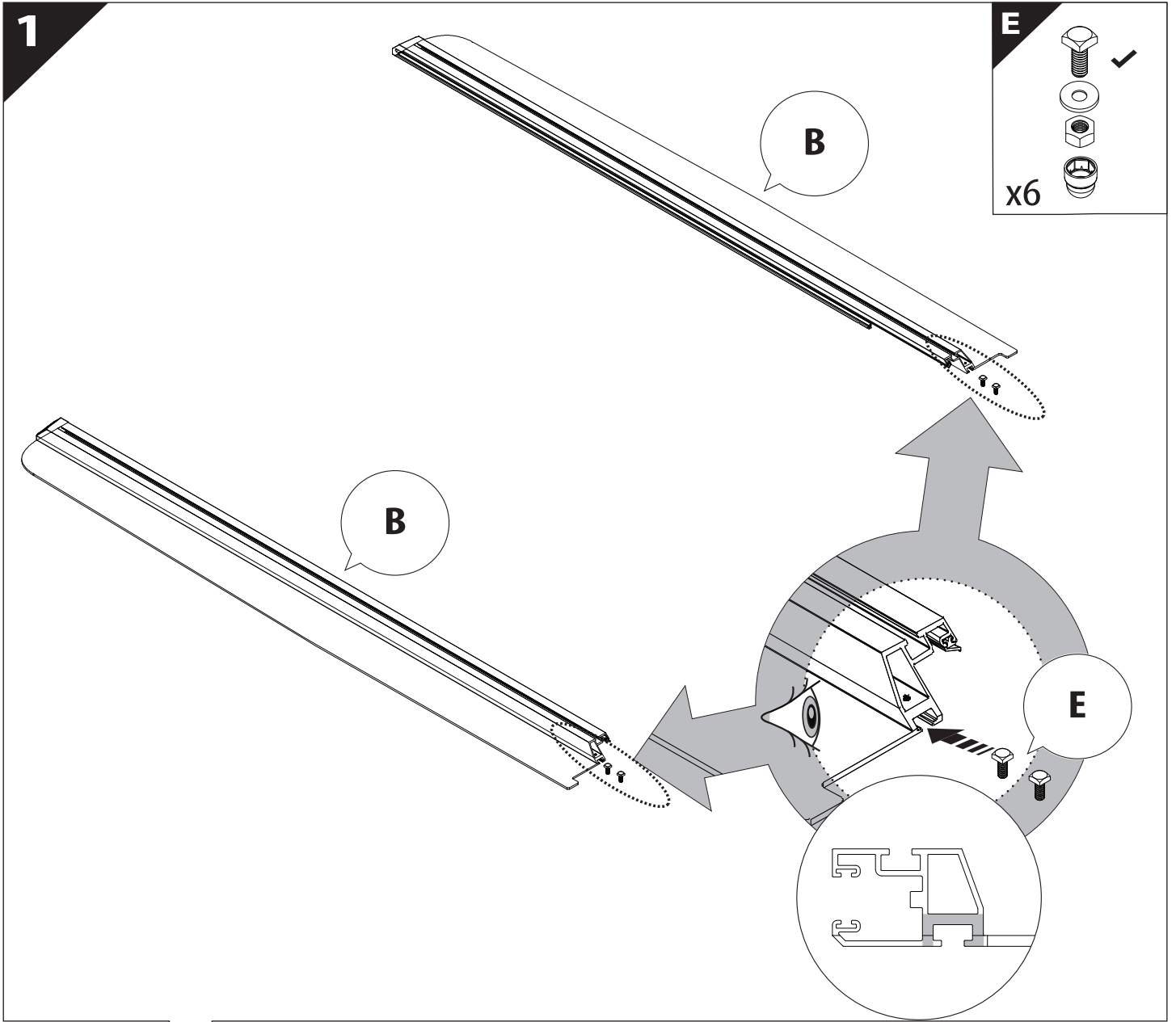


**B**

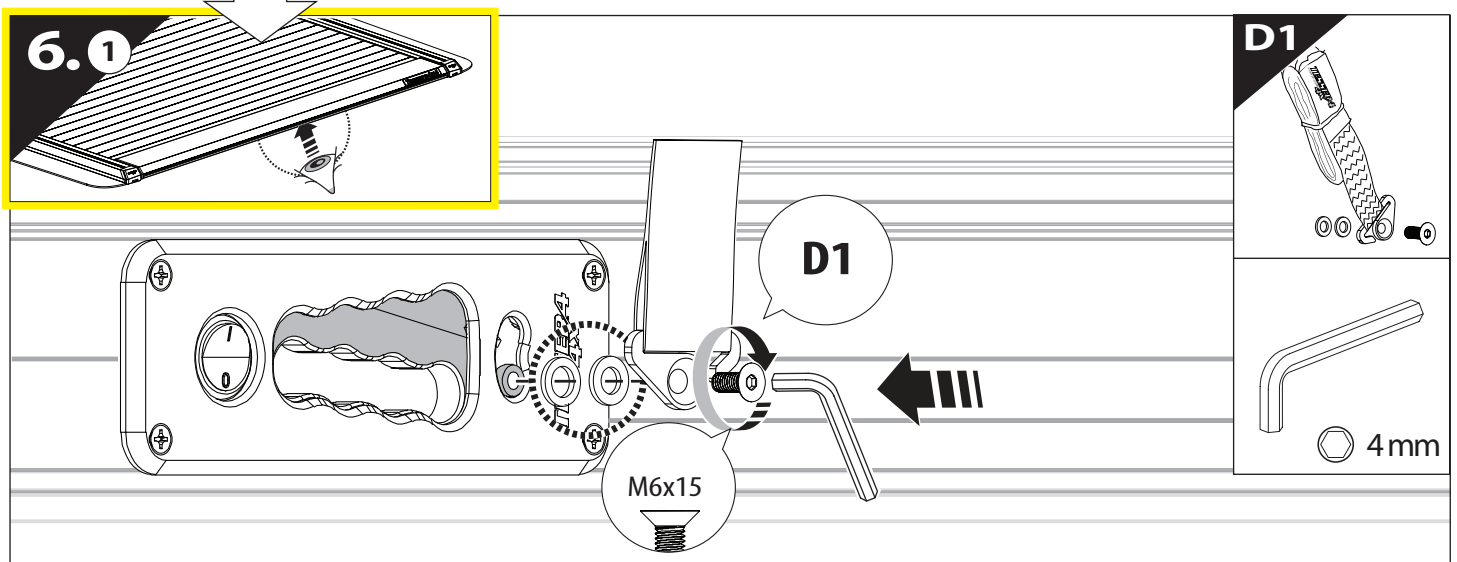
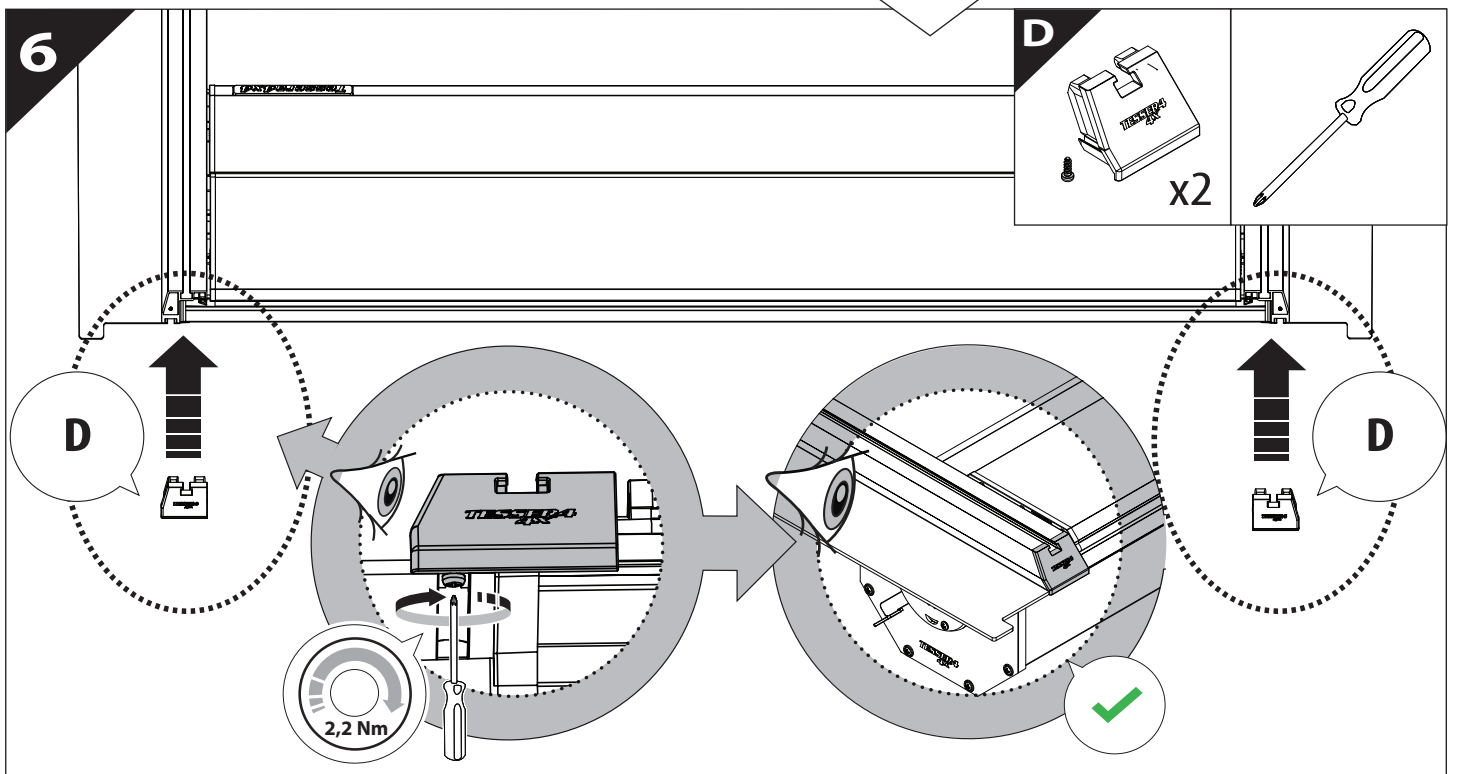
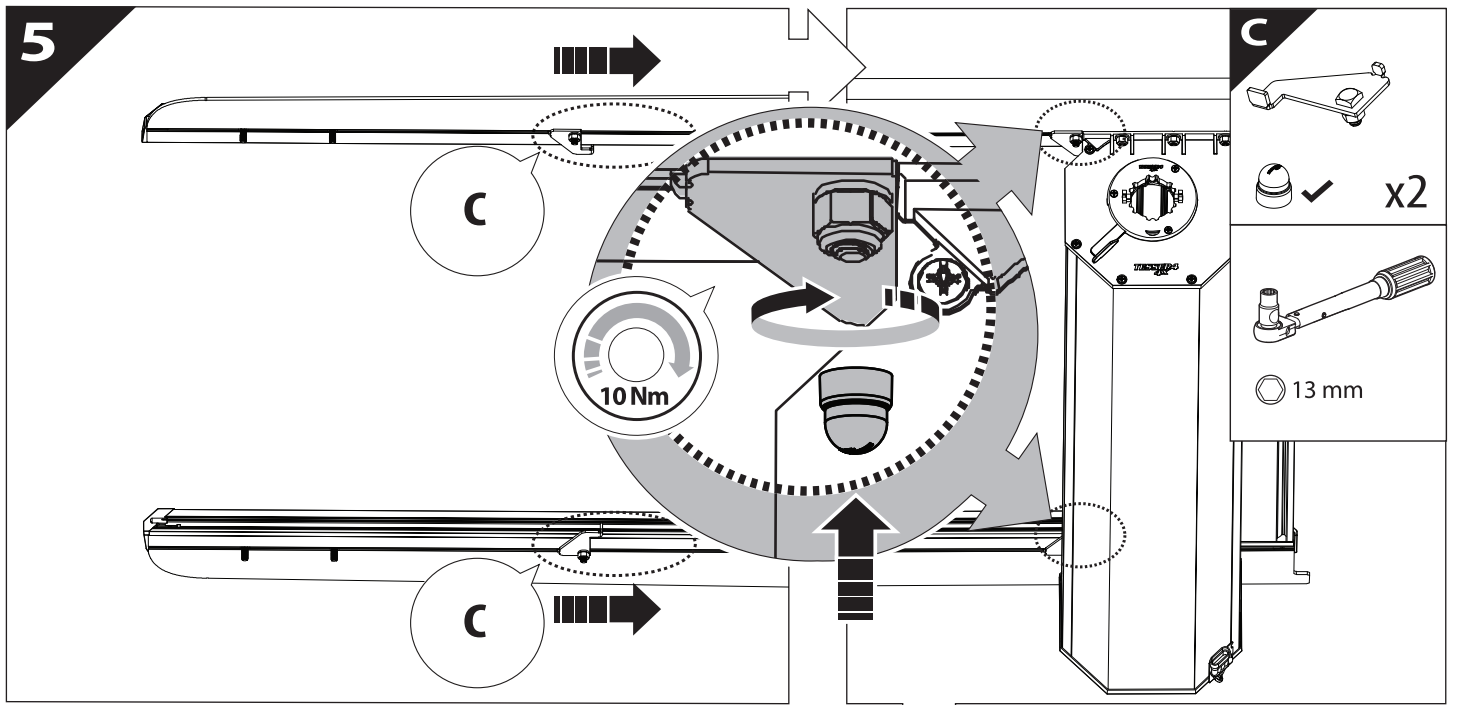
**A**

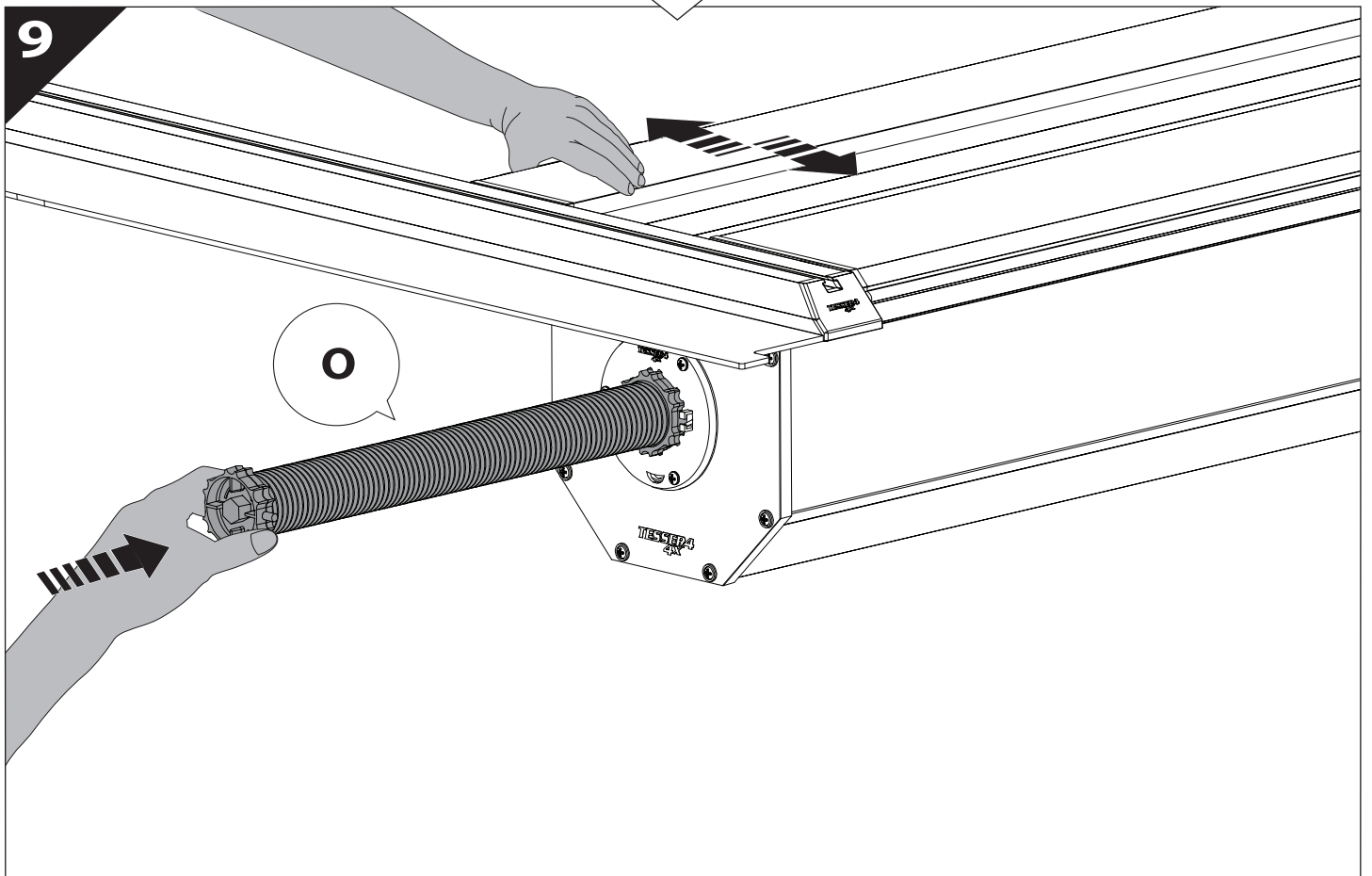
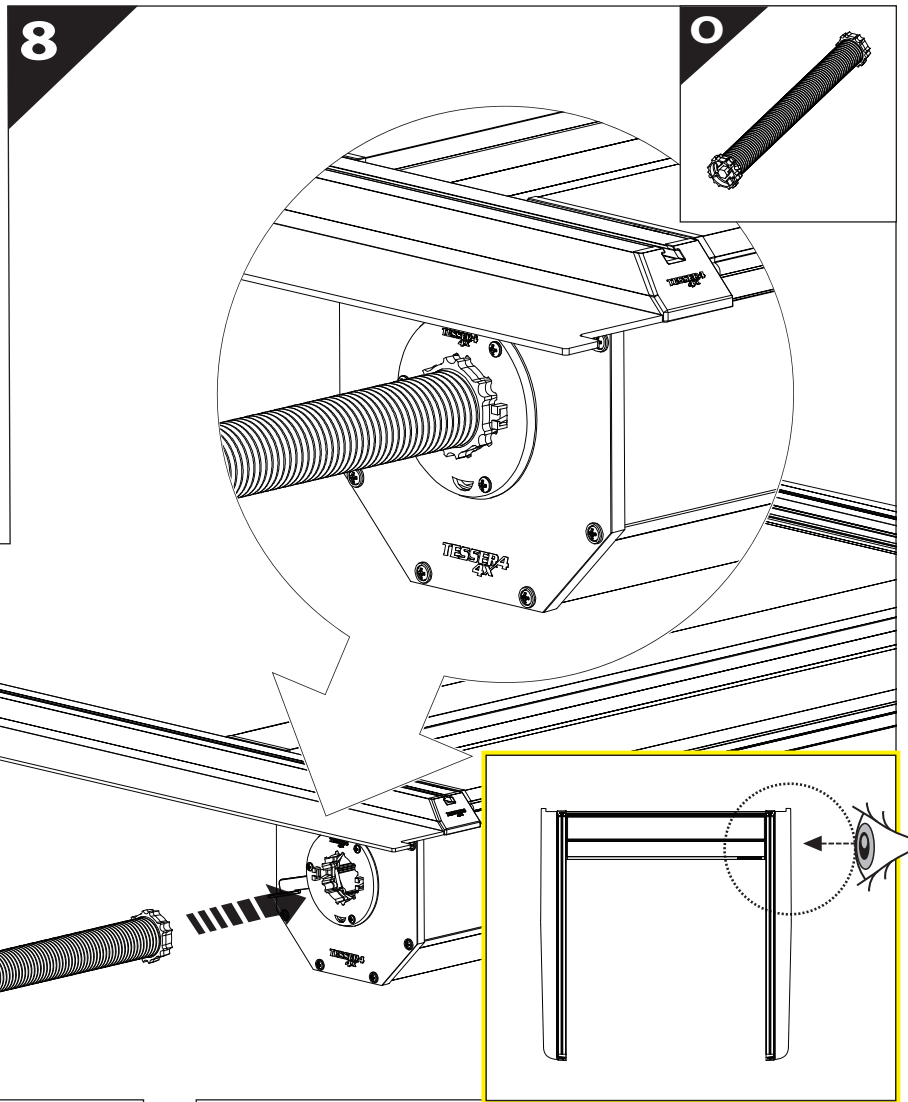
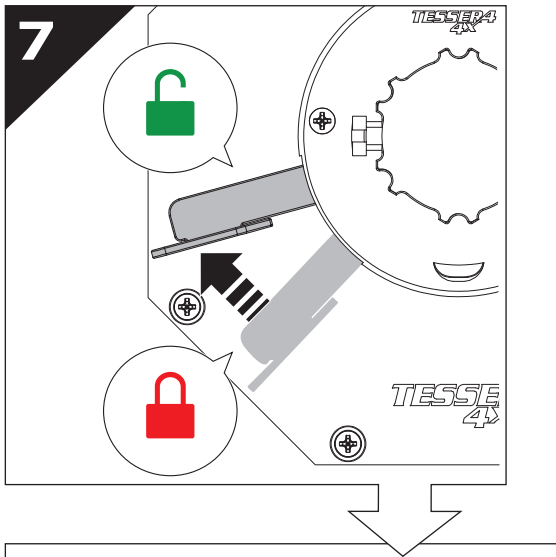
**KITS**

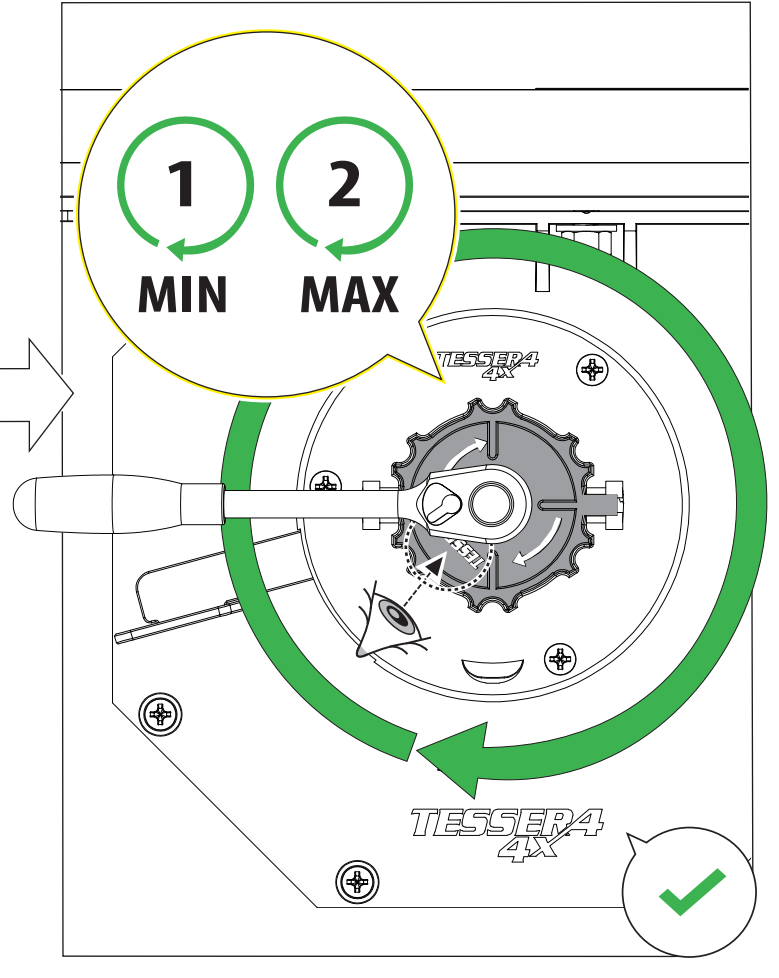
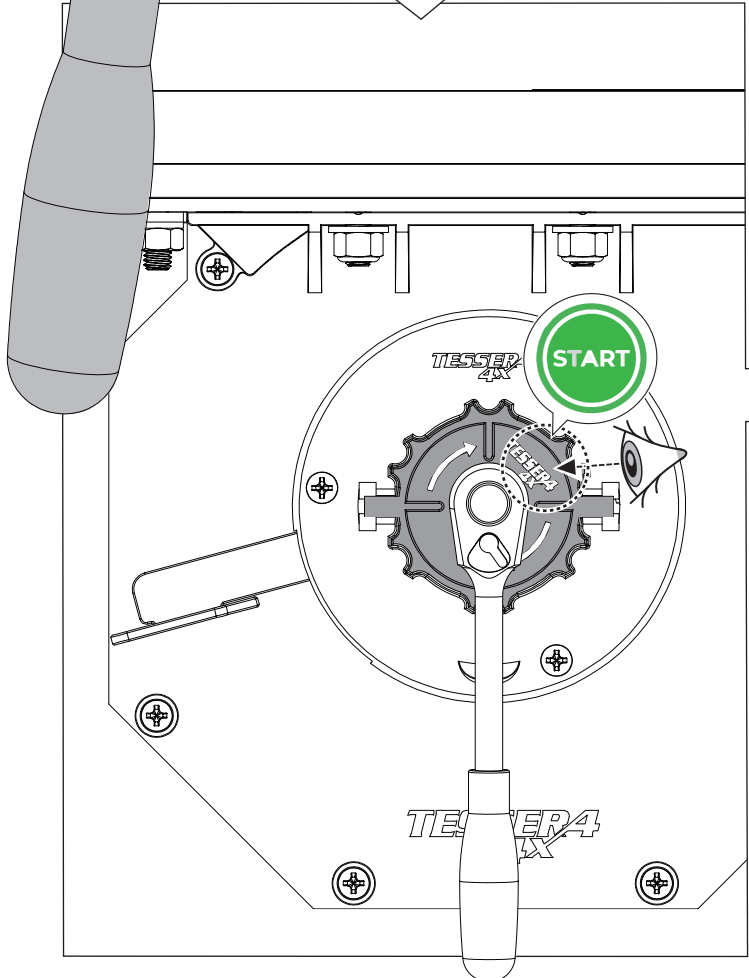
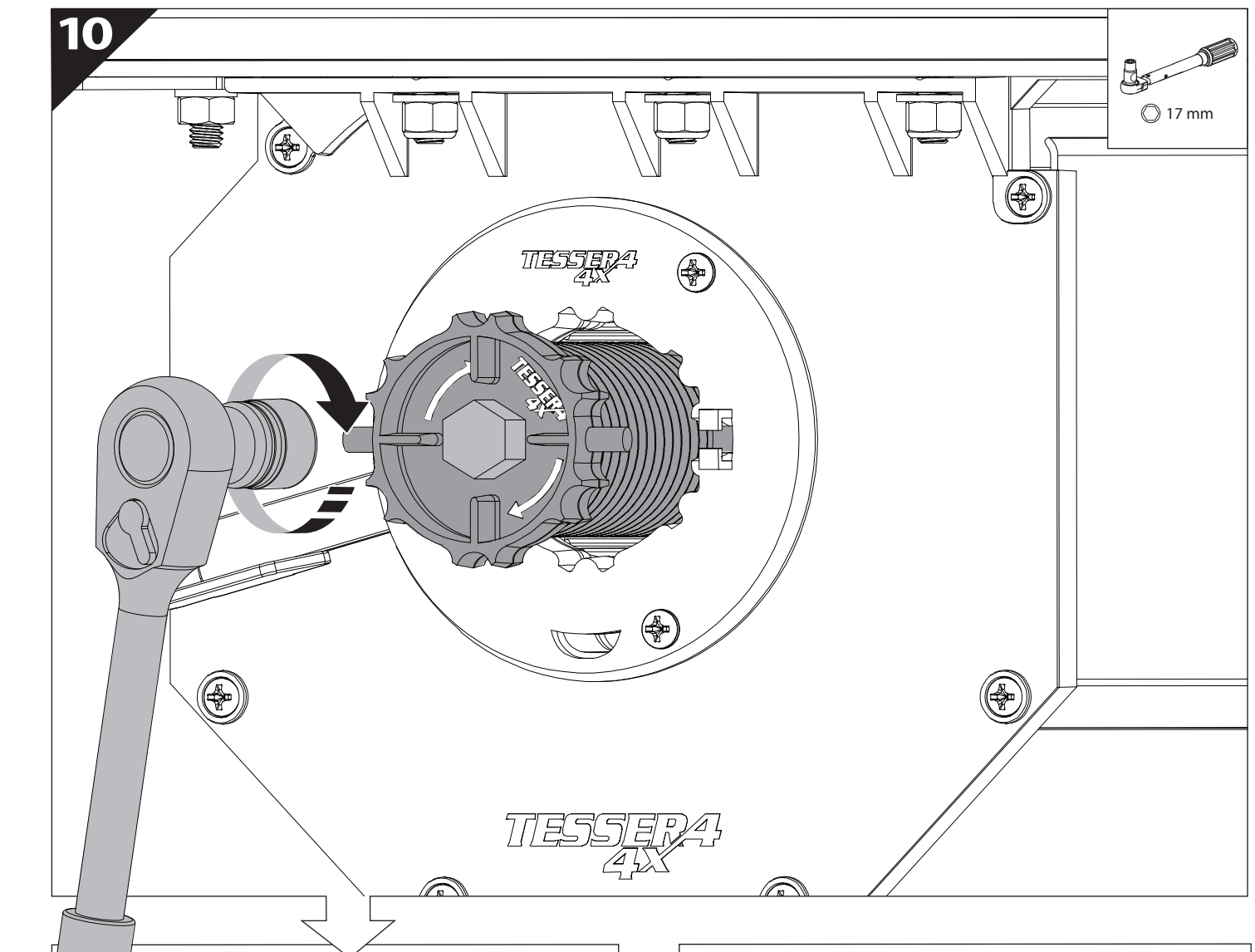
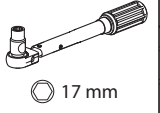
**L**



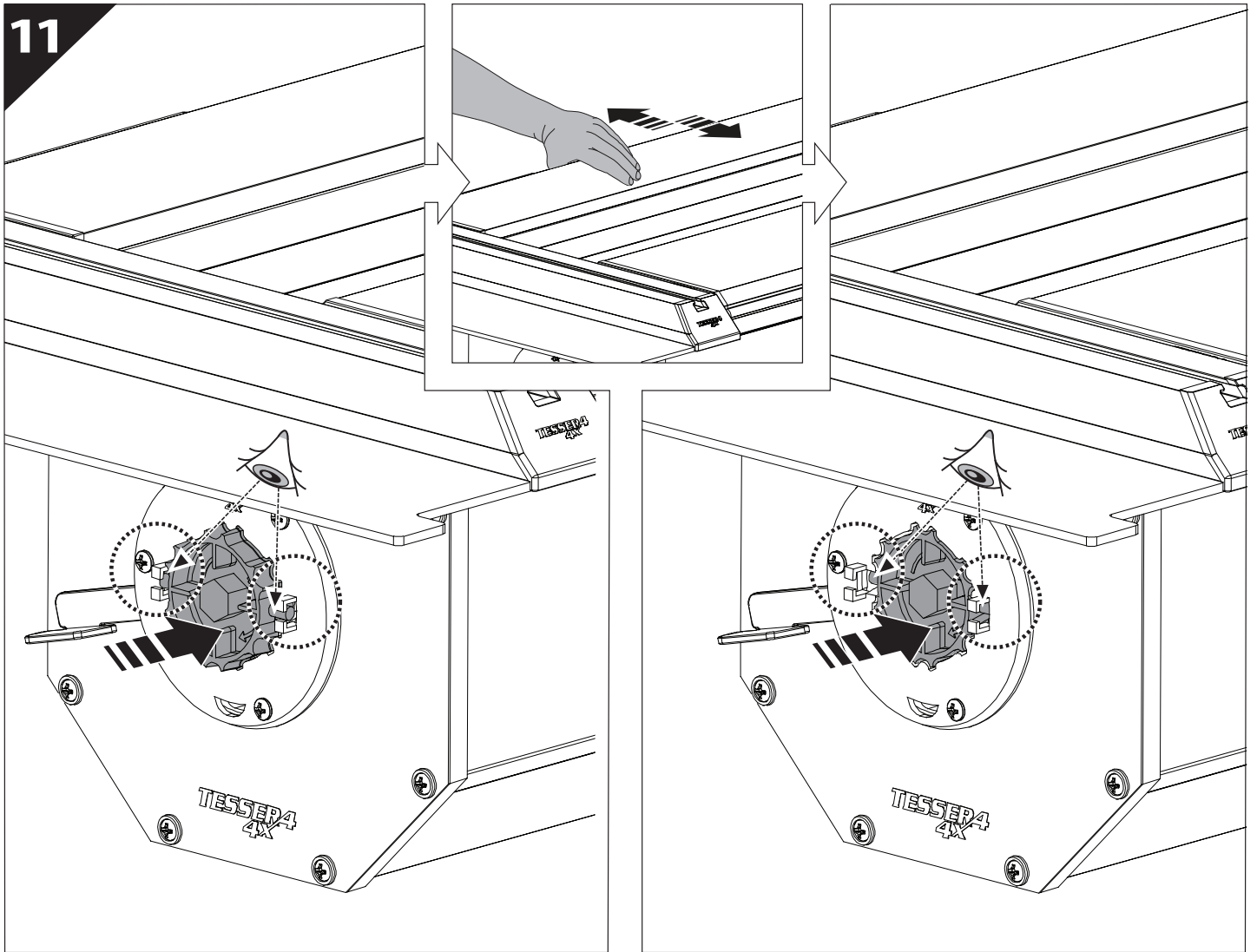




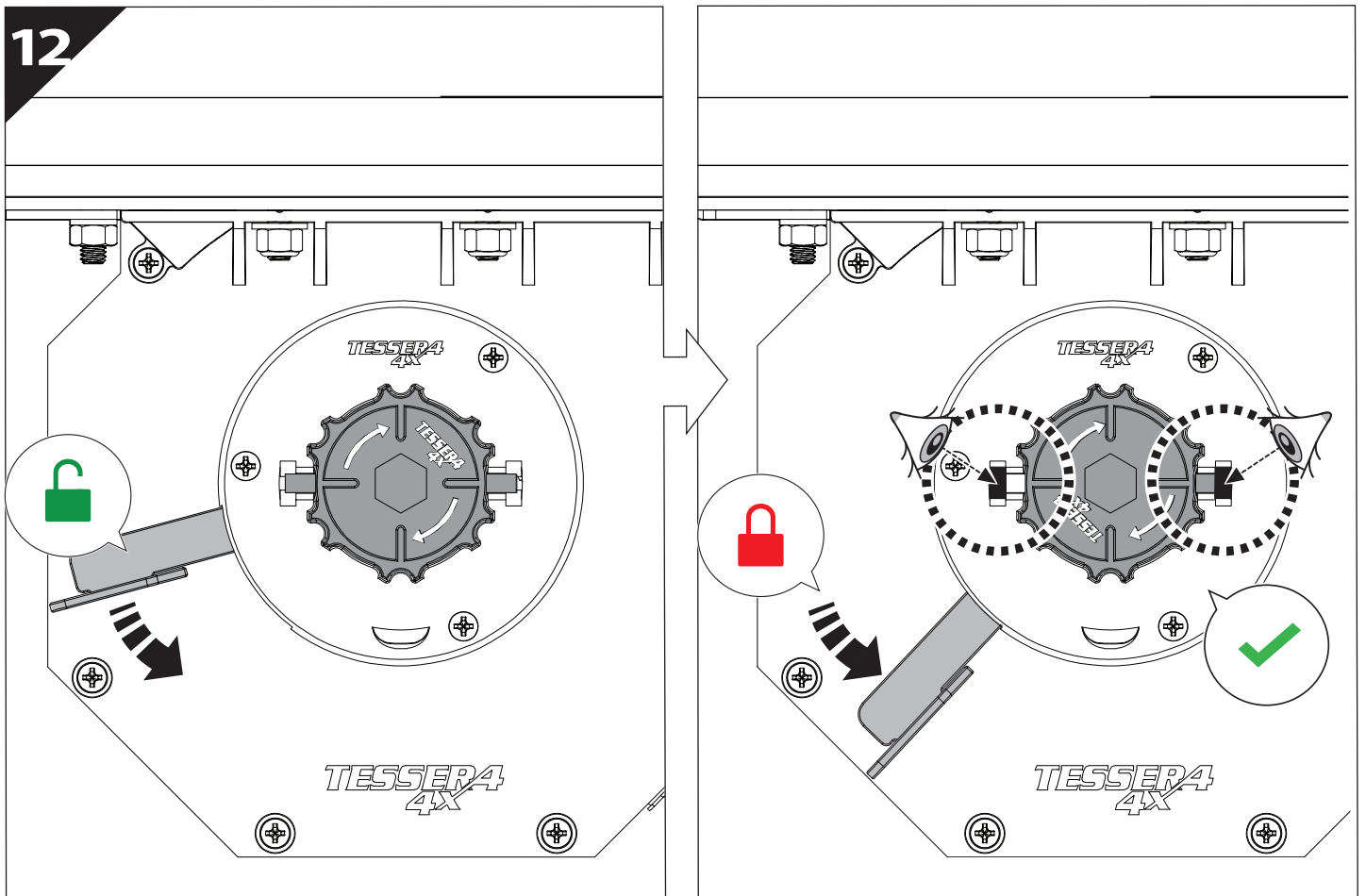




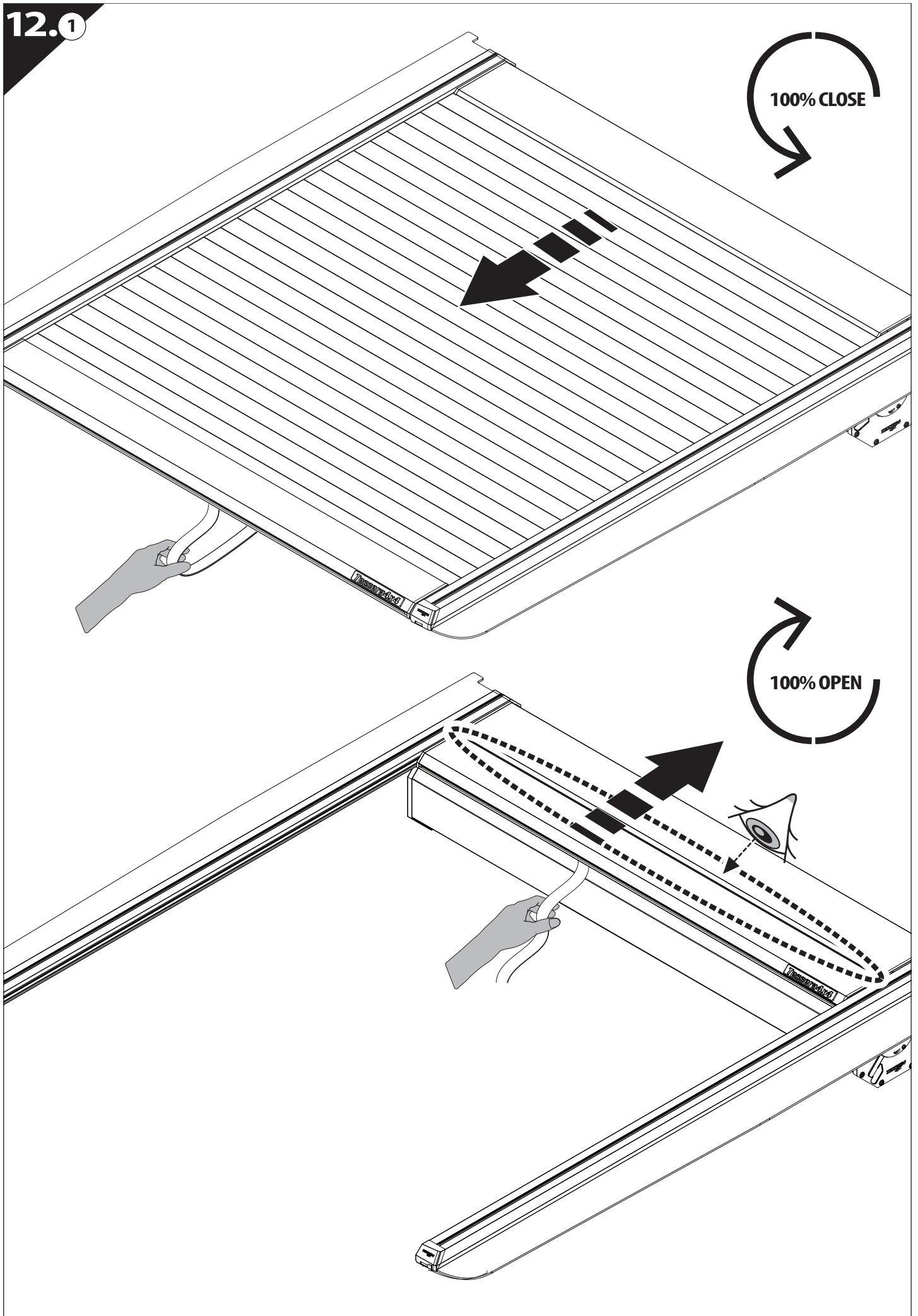
11



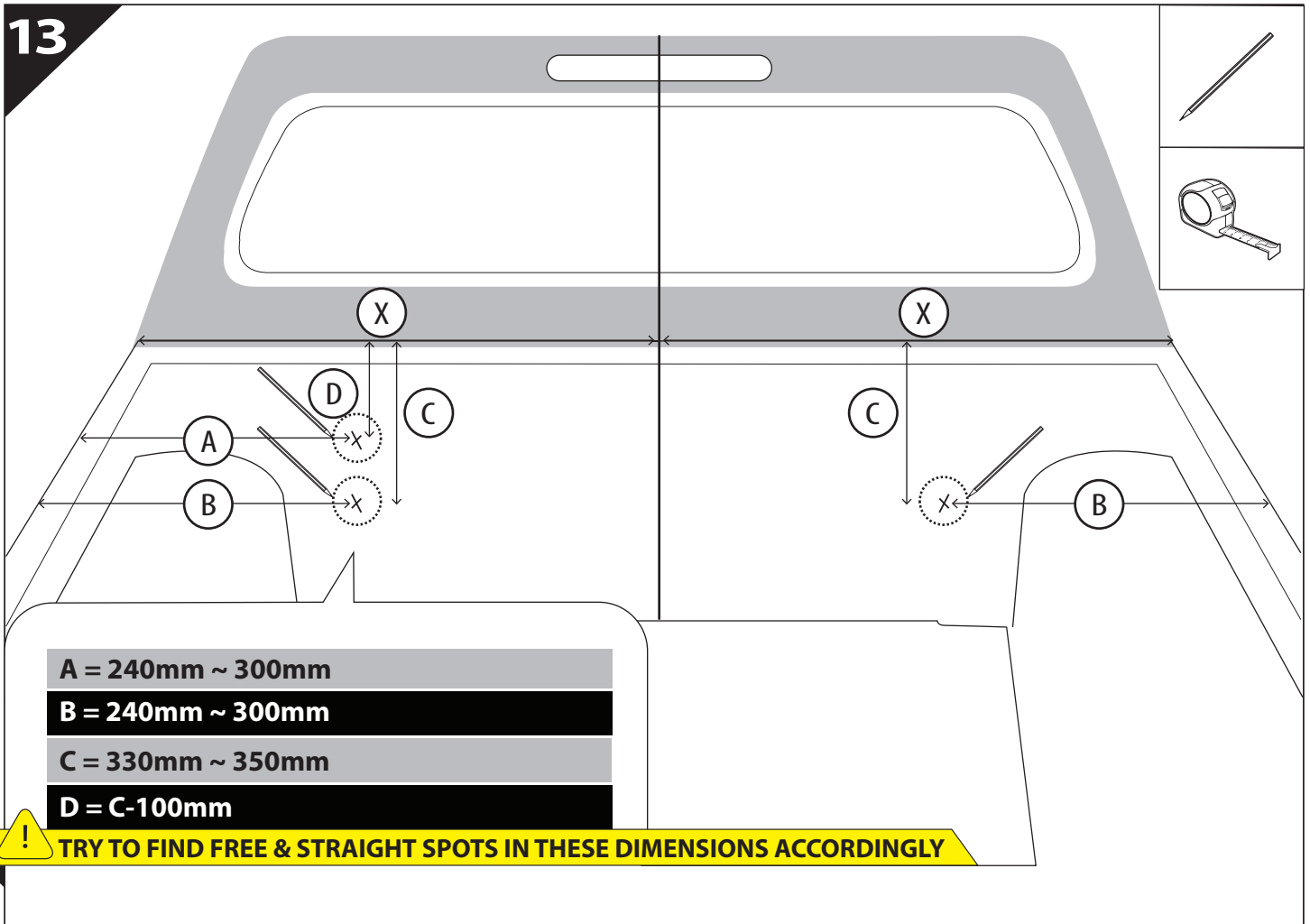
12



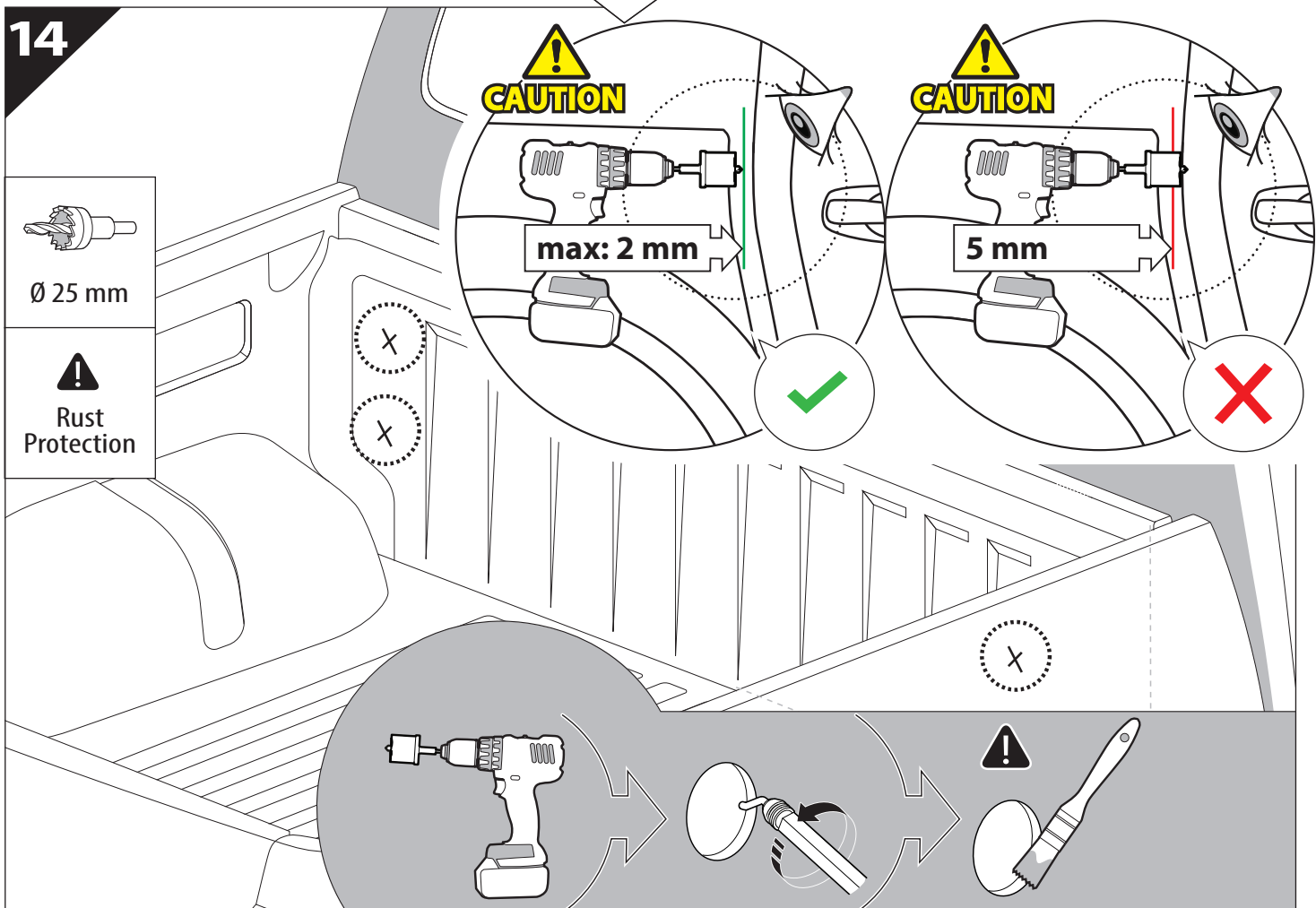
12.0



13



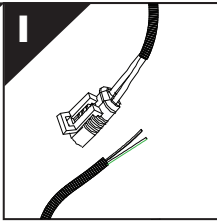
14



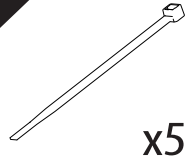


17

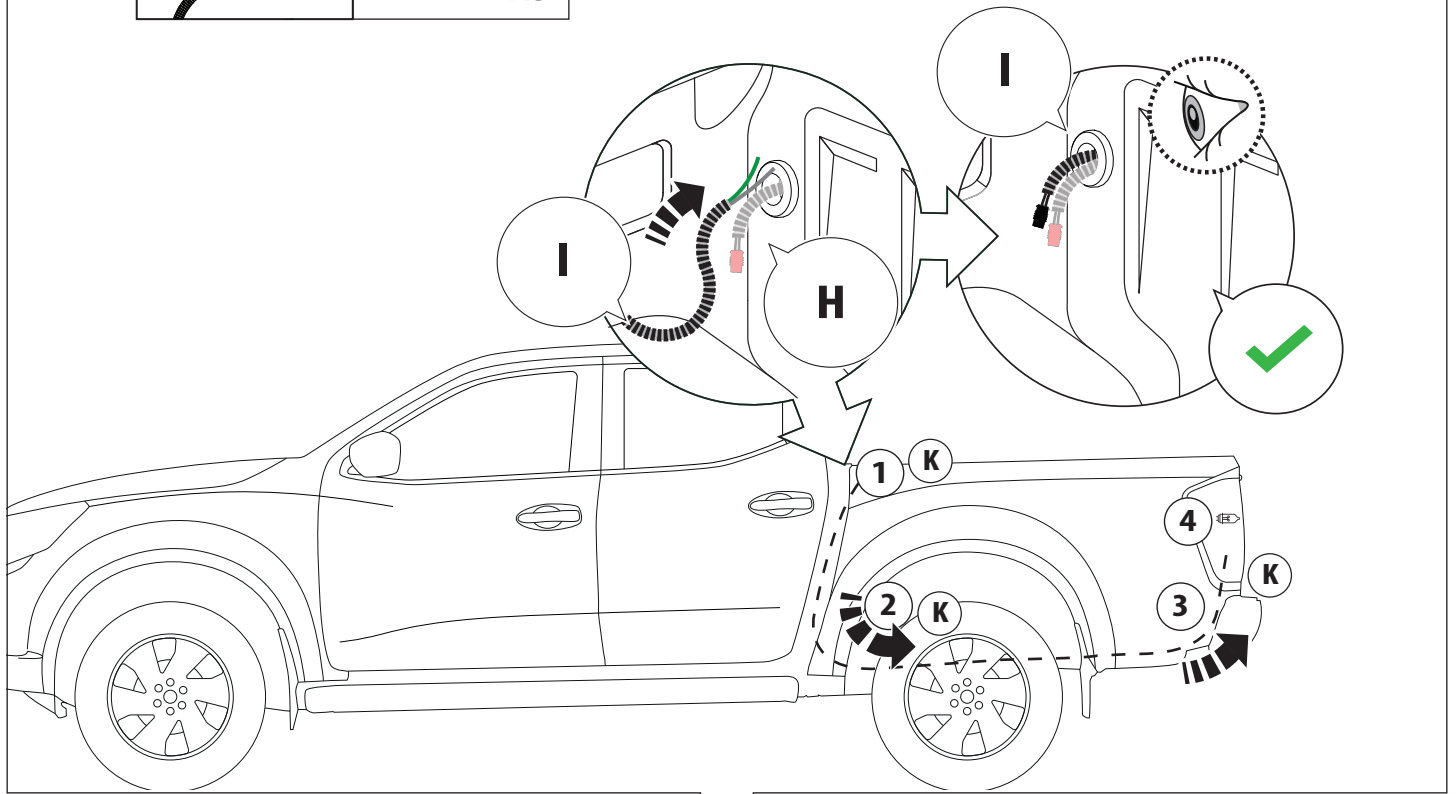
I



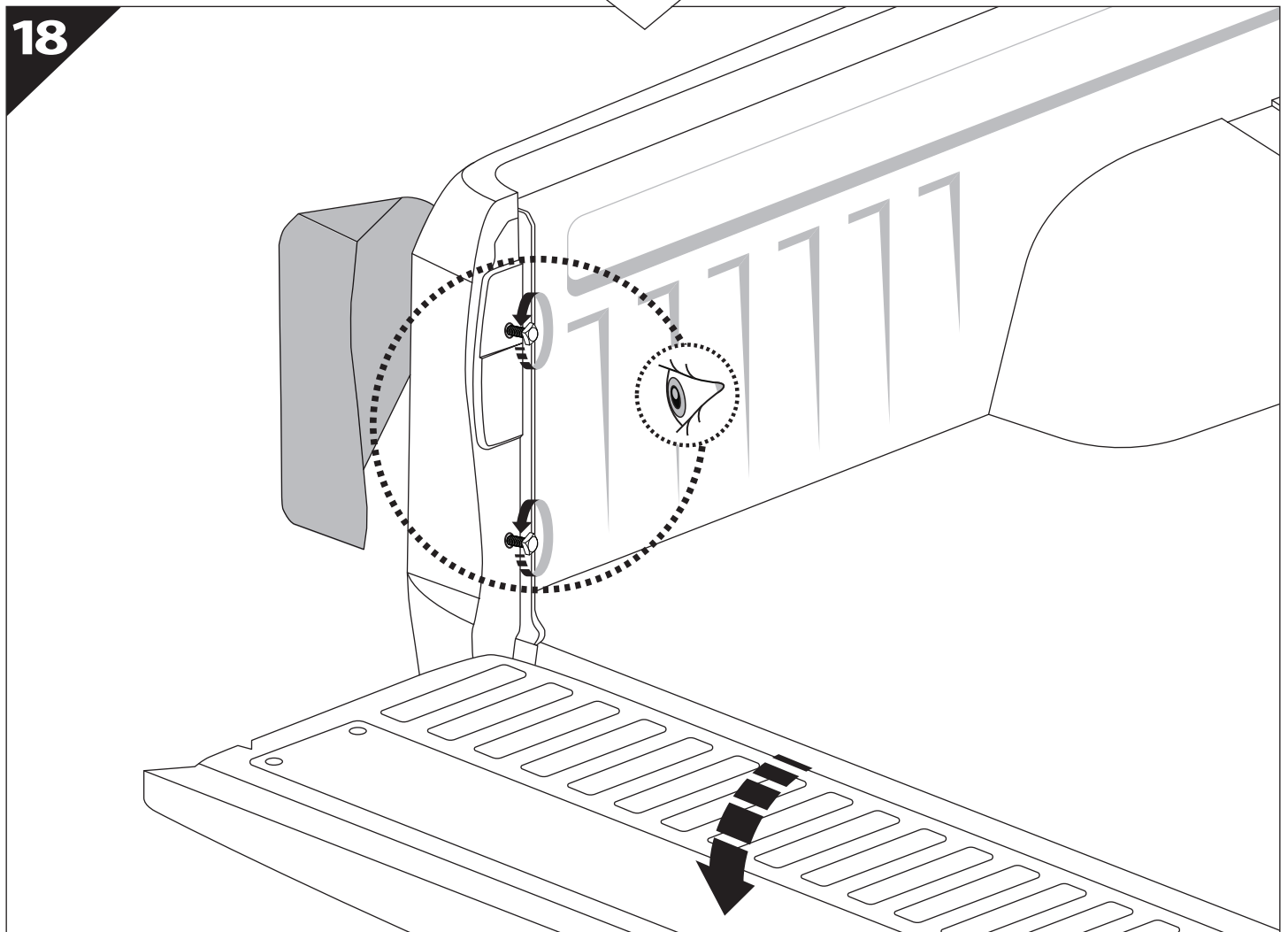
K

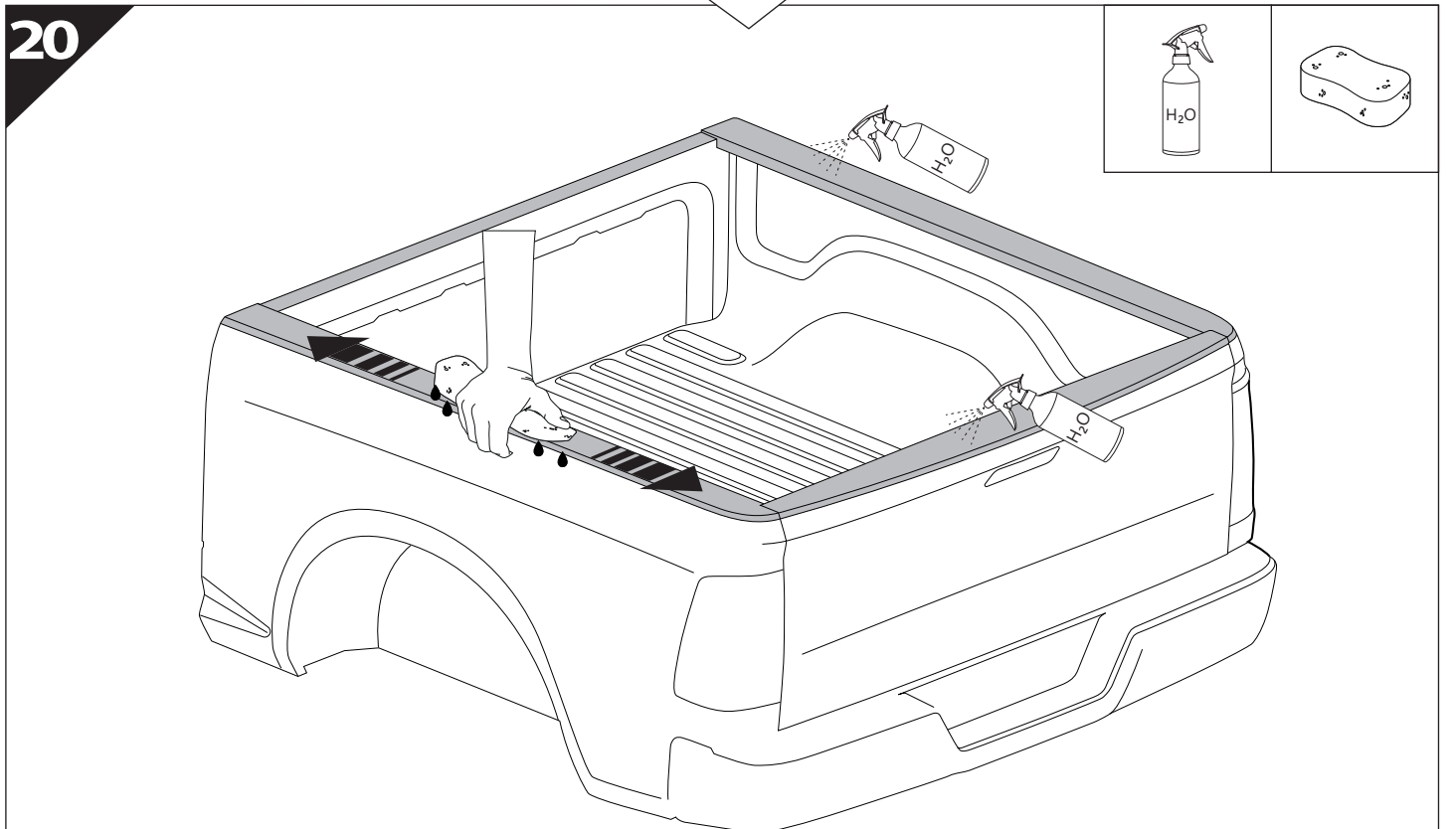
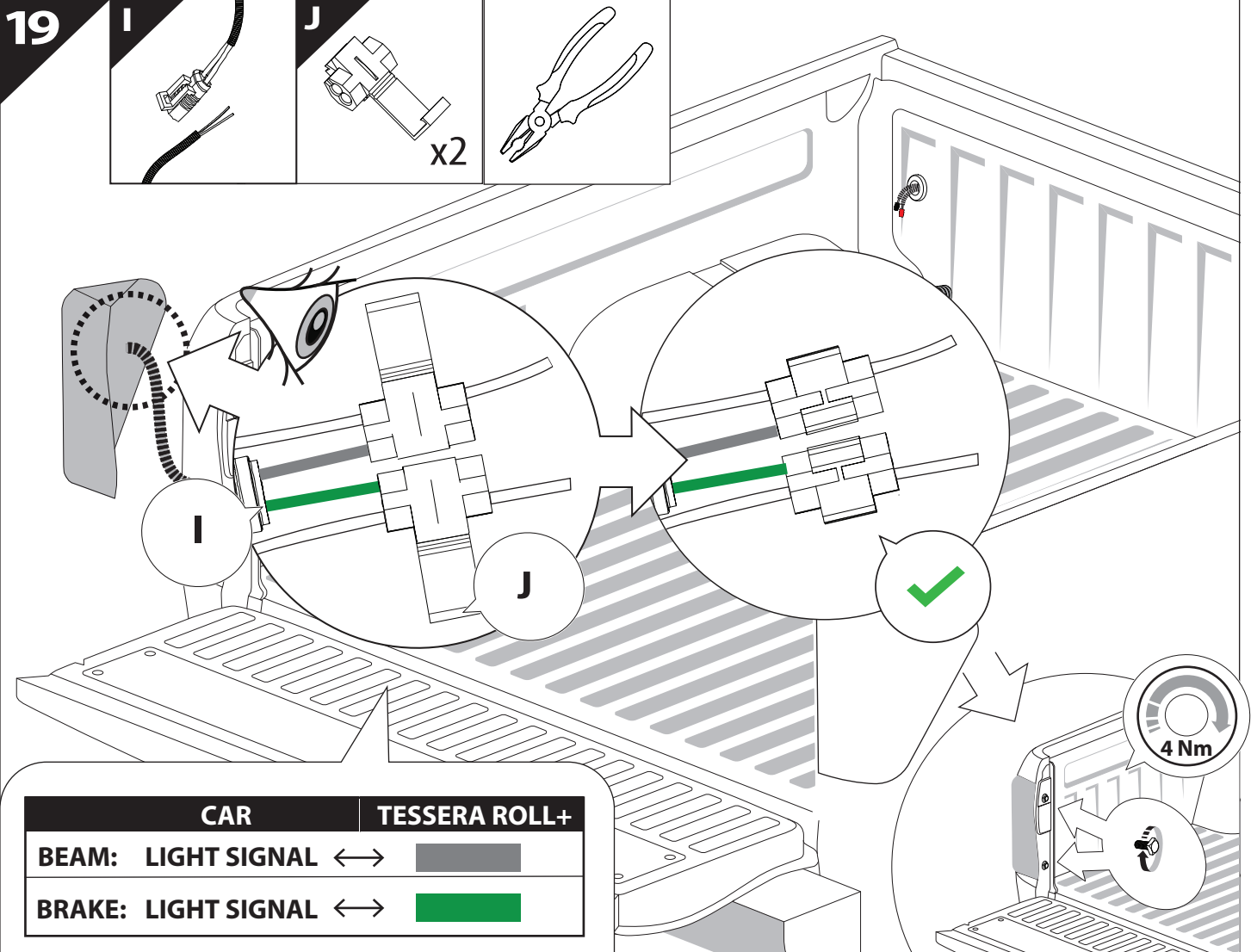


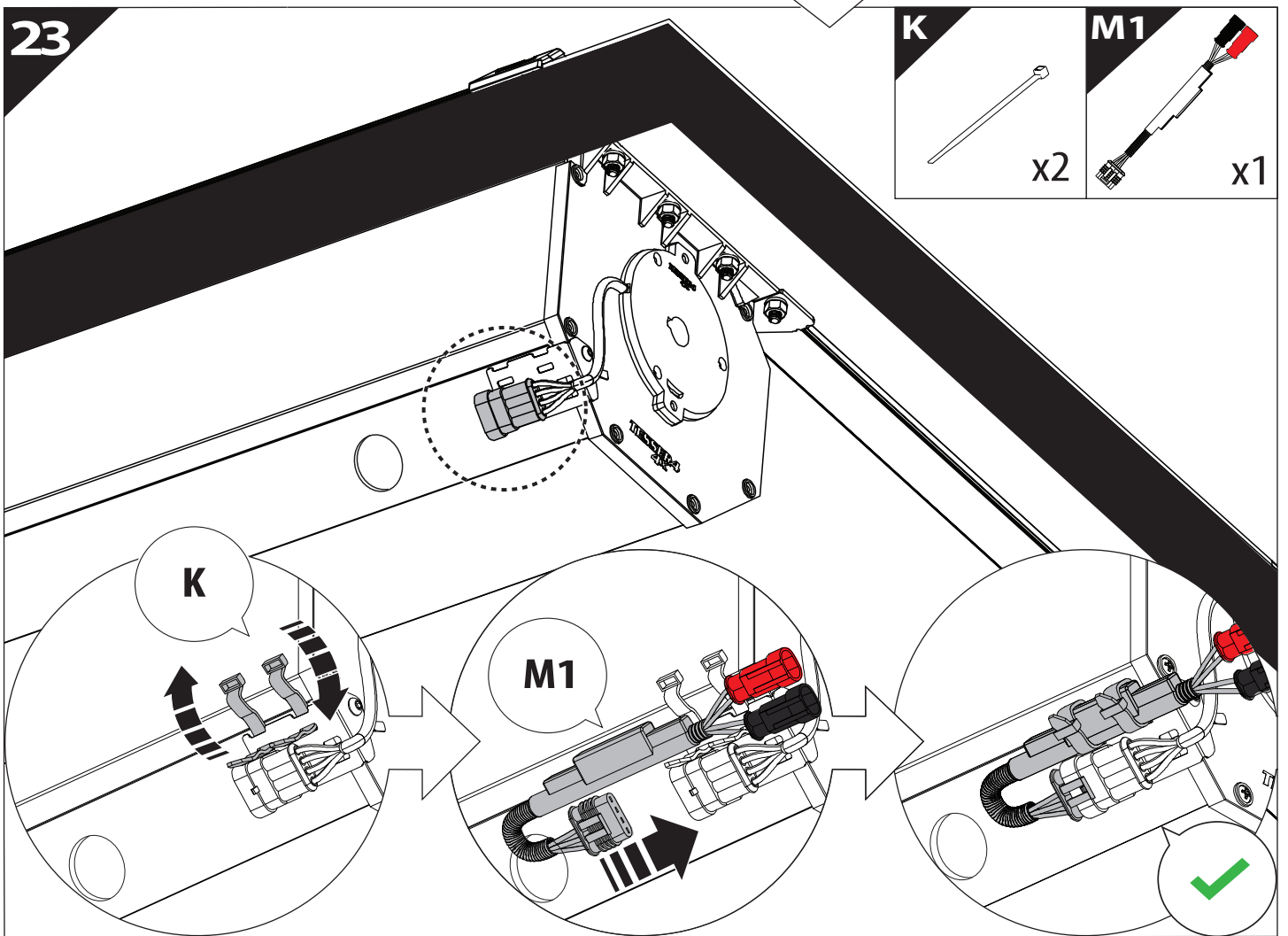
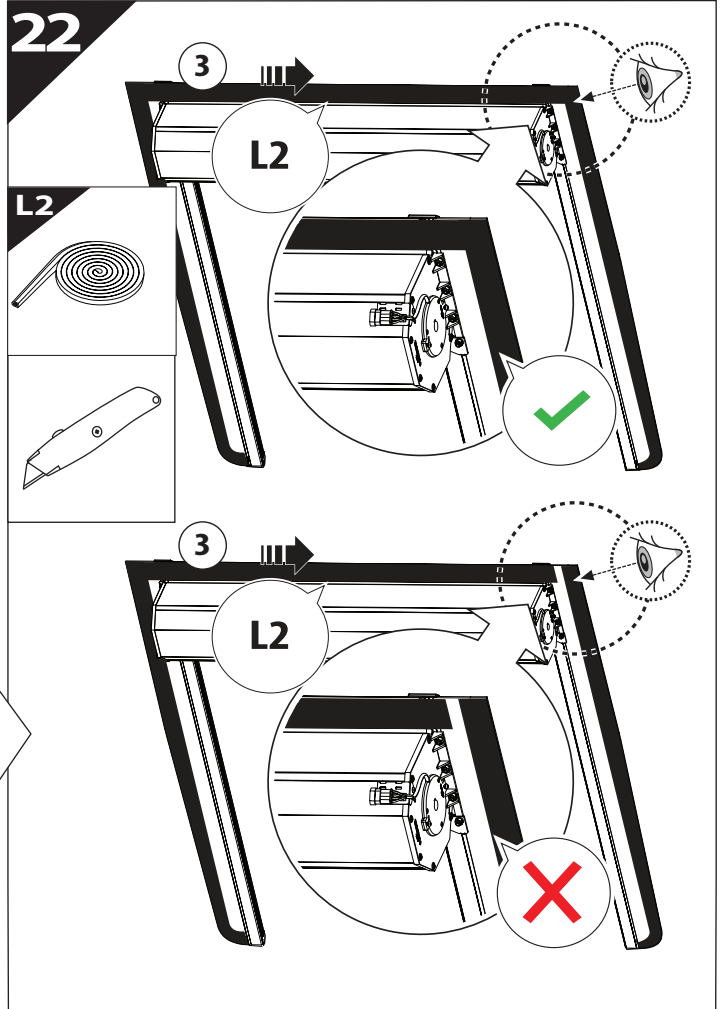
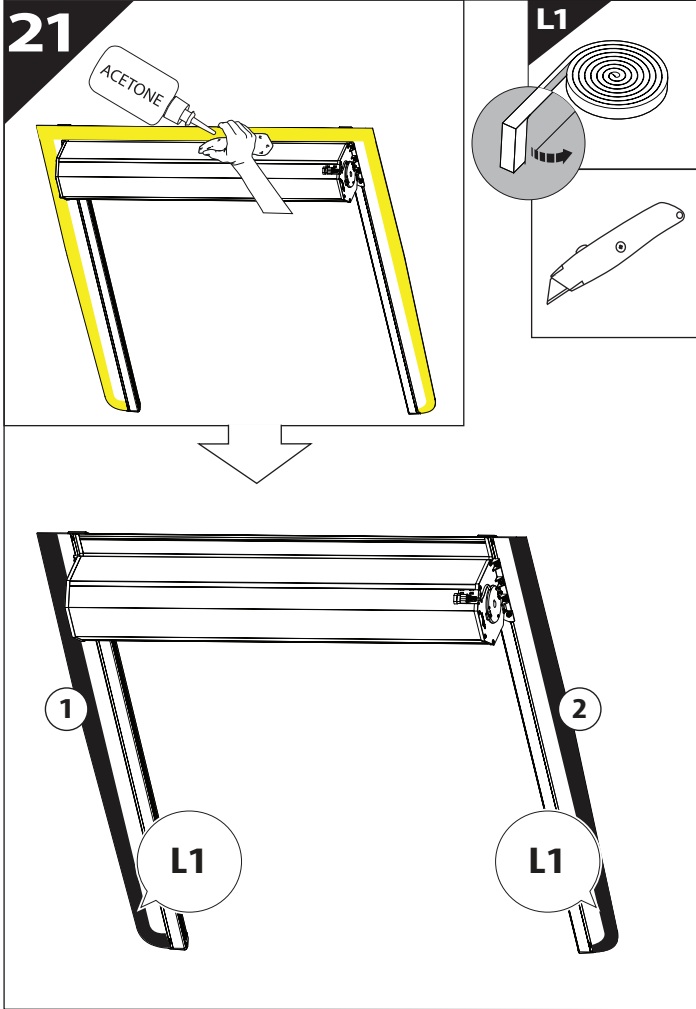
x5

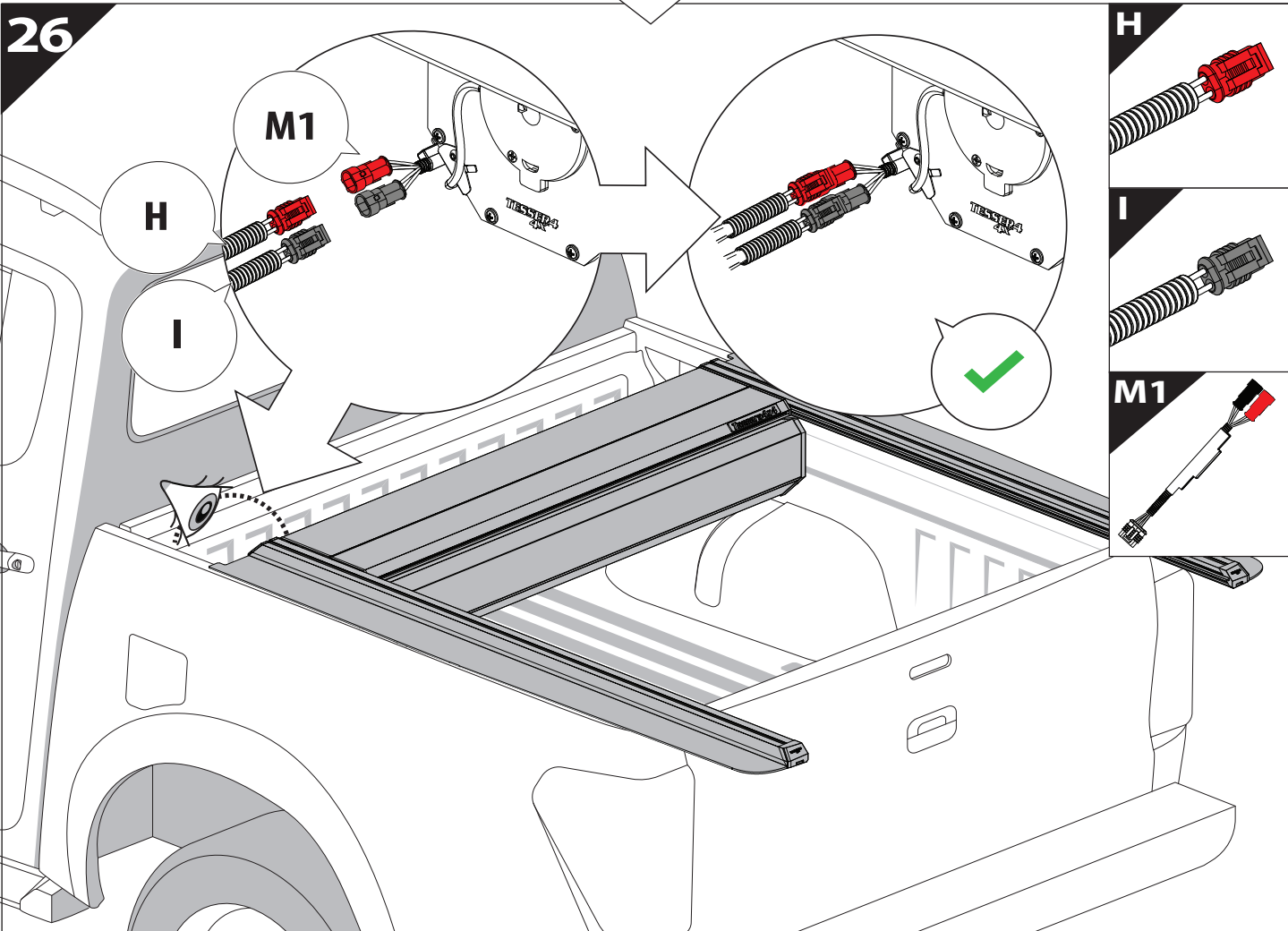
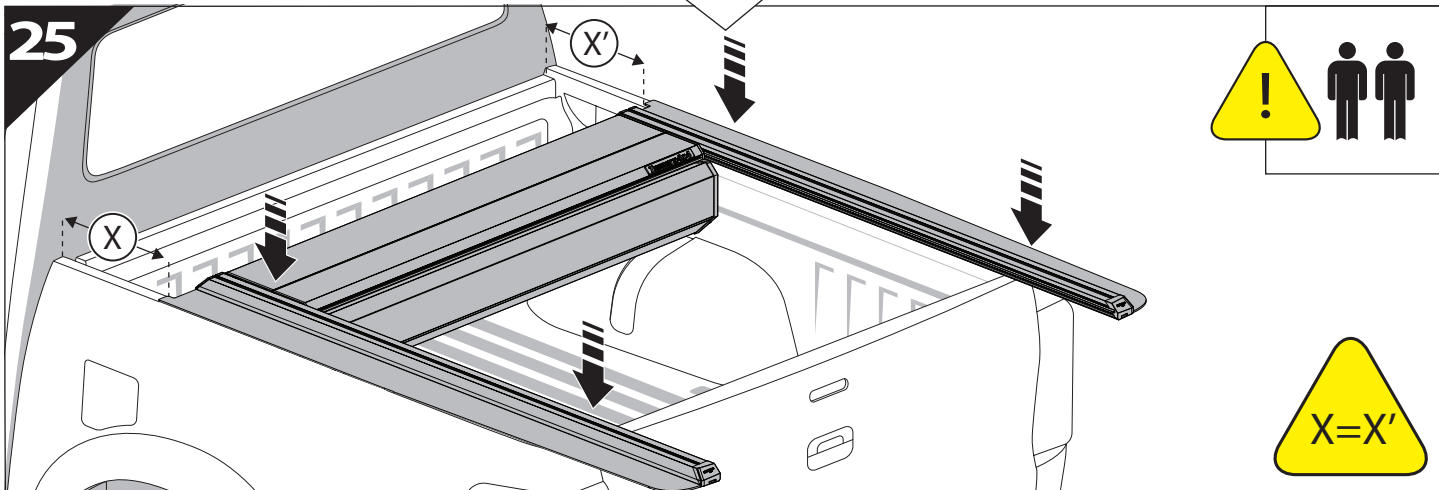
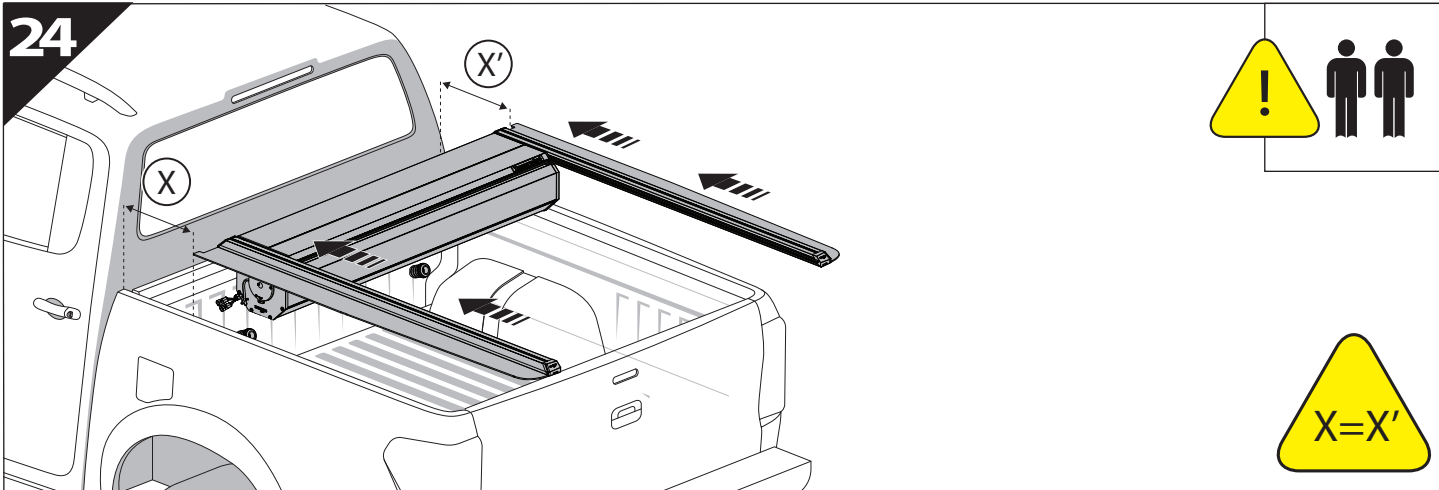


18







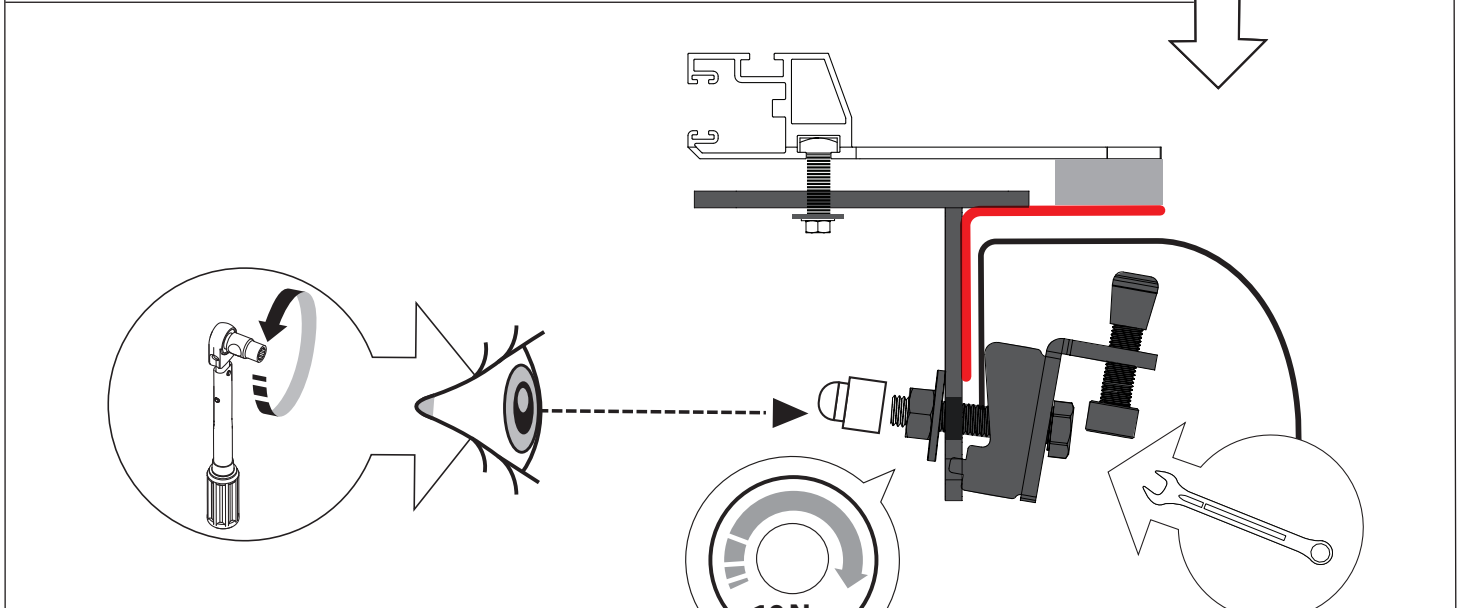
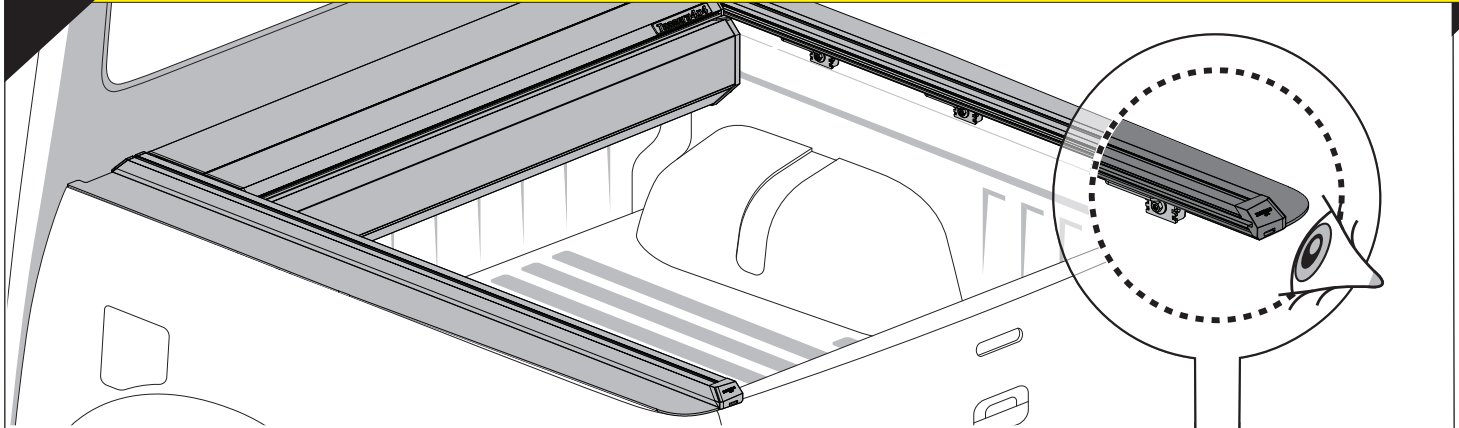




30

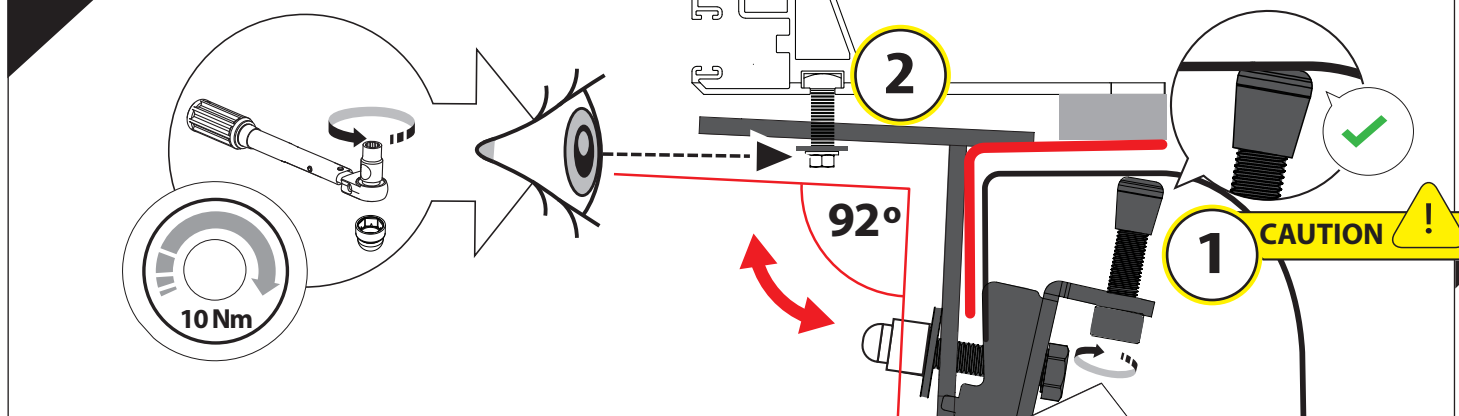


WITHOUT C - CHANNELS



<p><b>N1</b></p> <p>x6</p>	<p><b>E</b></p> <p>x6</p> <p>13 mm</p>
----------------------------	--

30.0

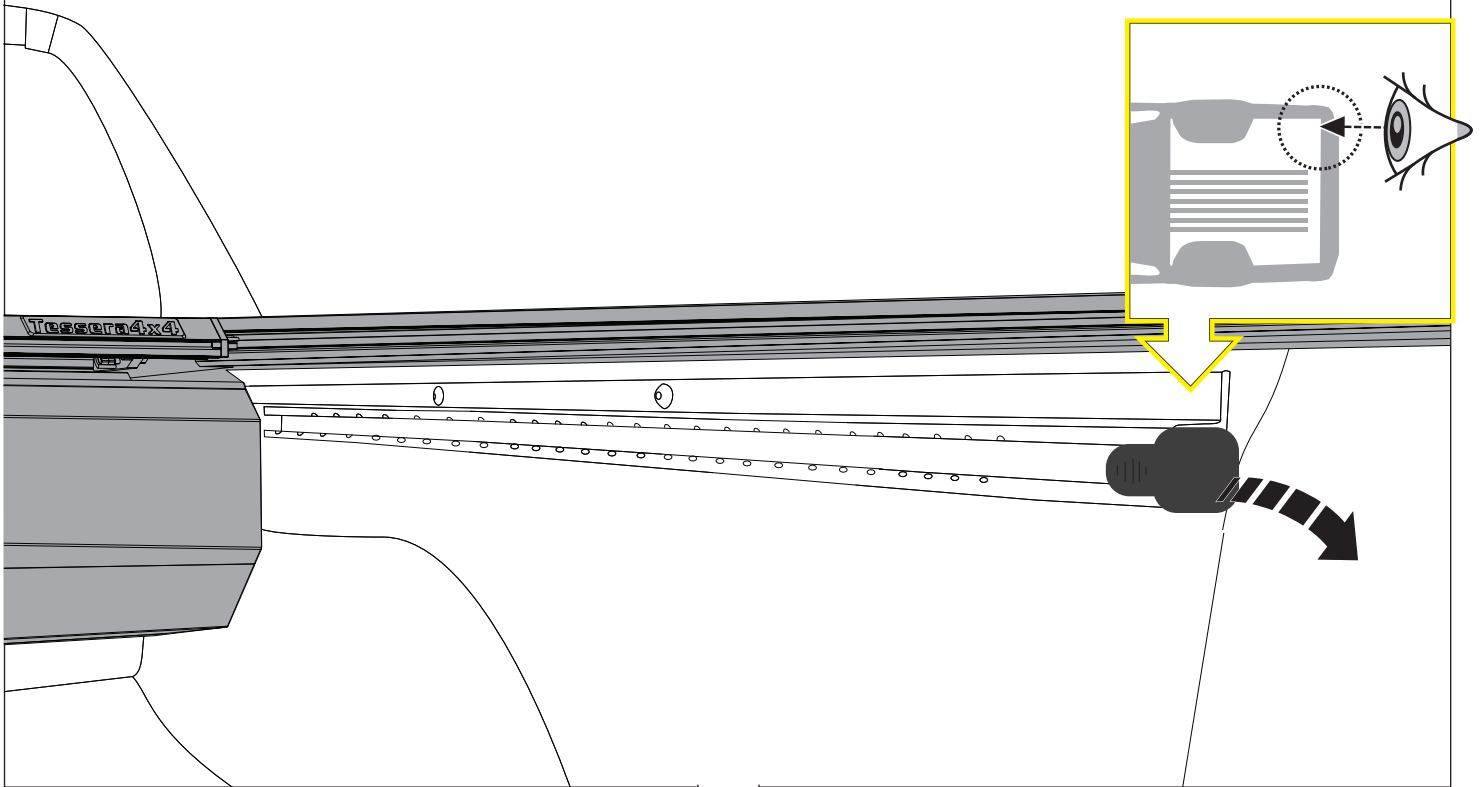


<p><b>N1</b></p> <p>x6</p>	<p><b>E</b></p> <p>x6</p> <p>13 mm</p>
----------------------------	--

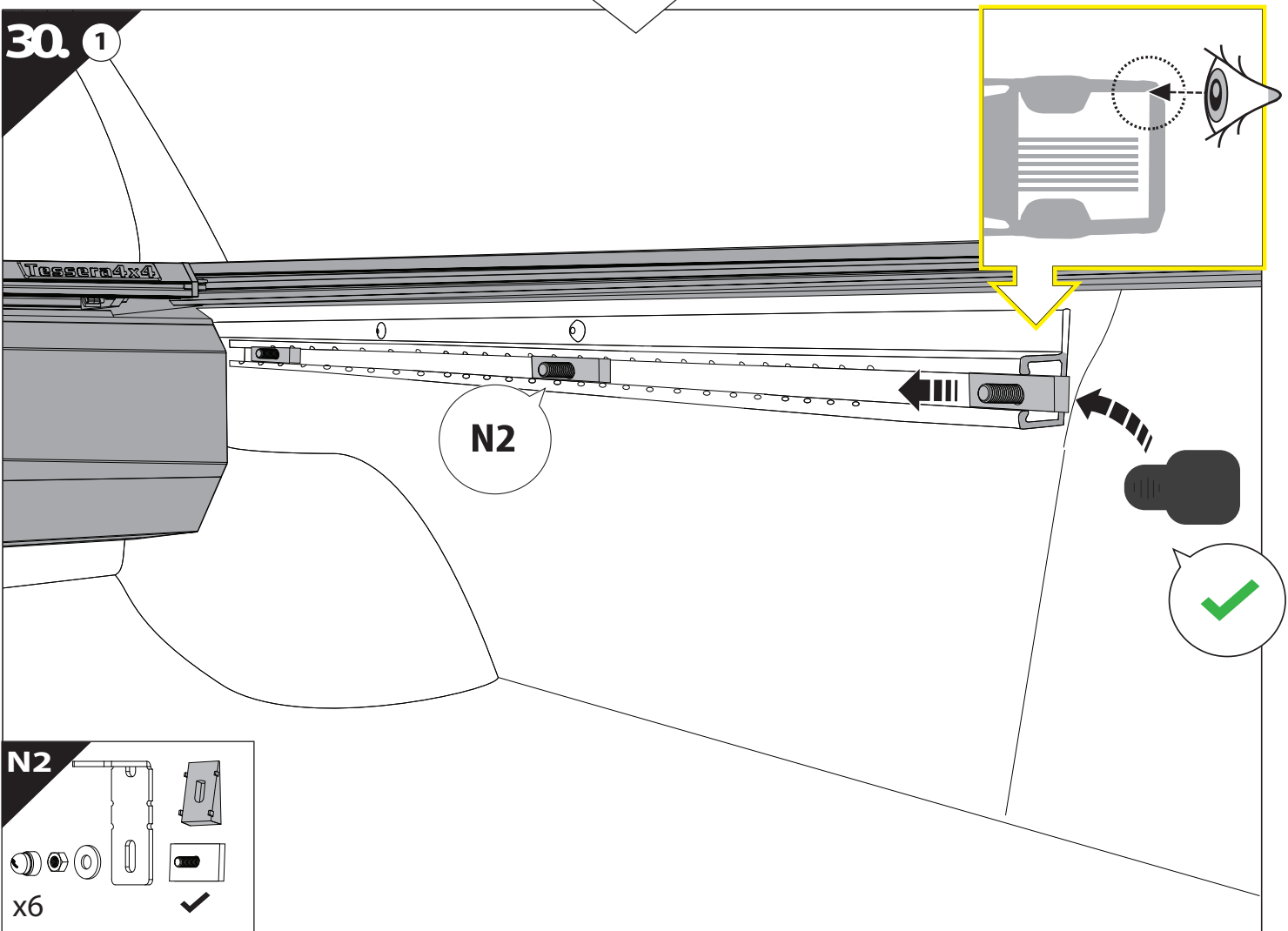
30



WITH C - CHANNELS



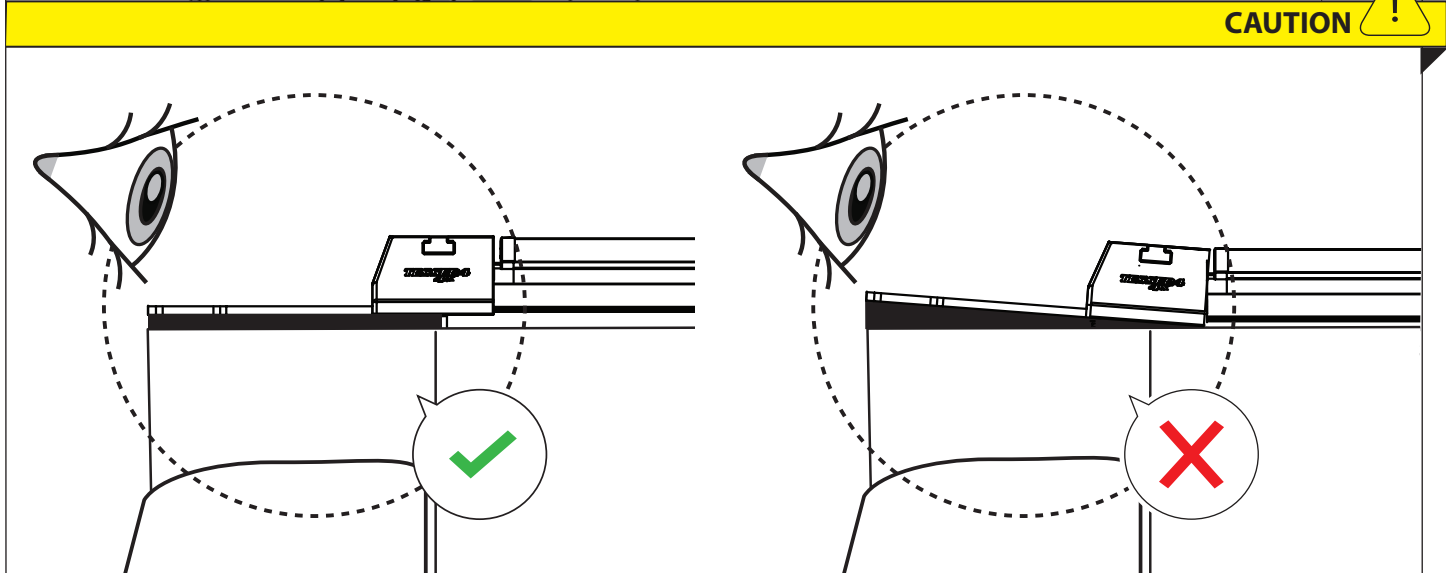
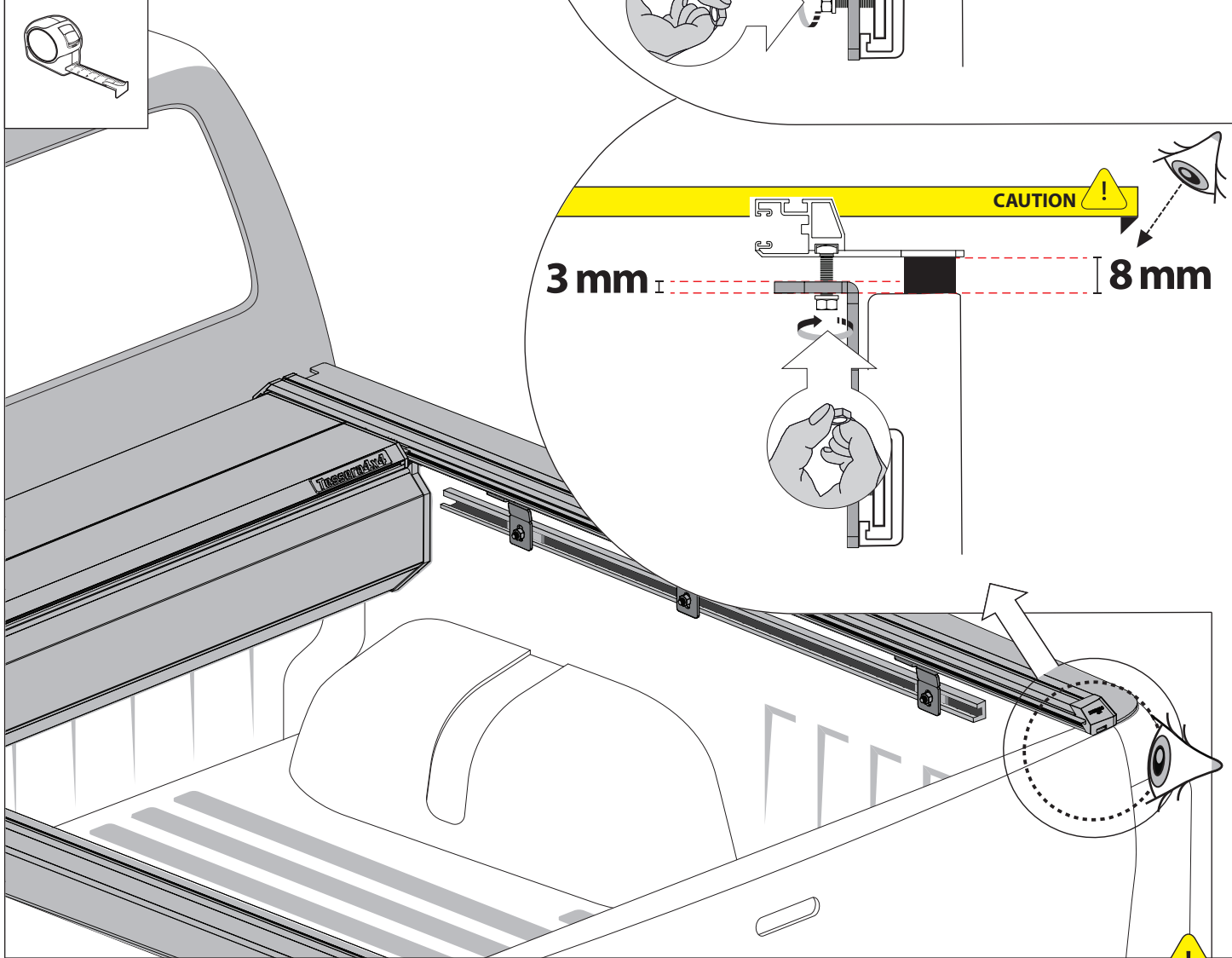
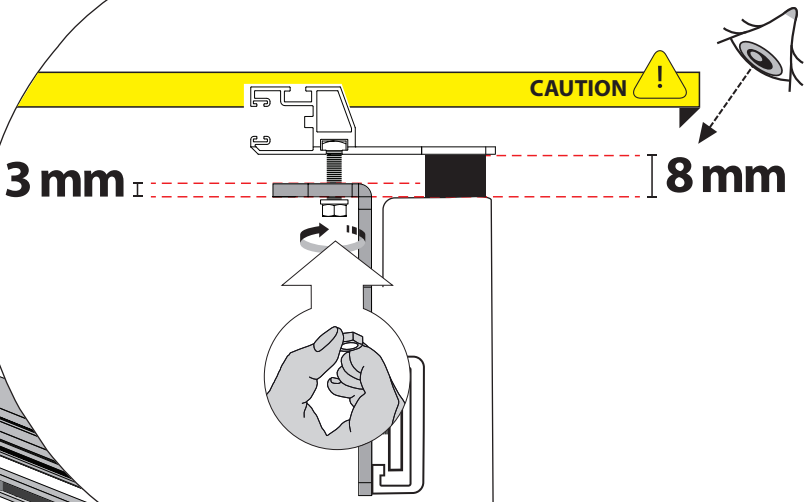
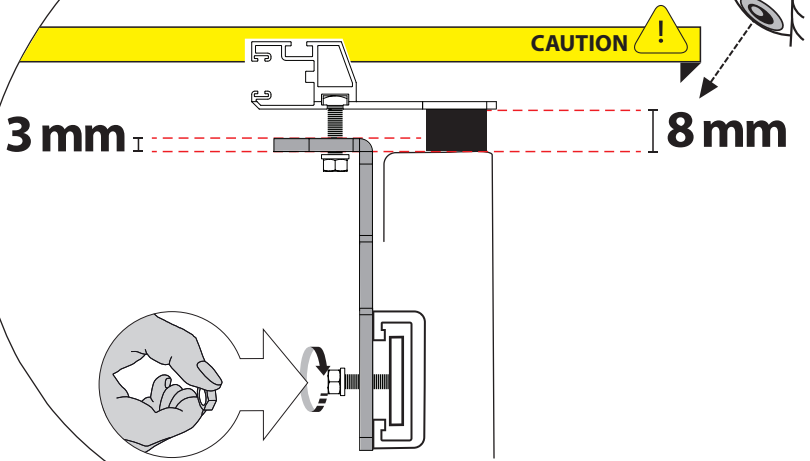
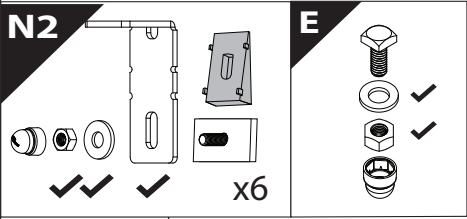
30. 1

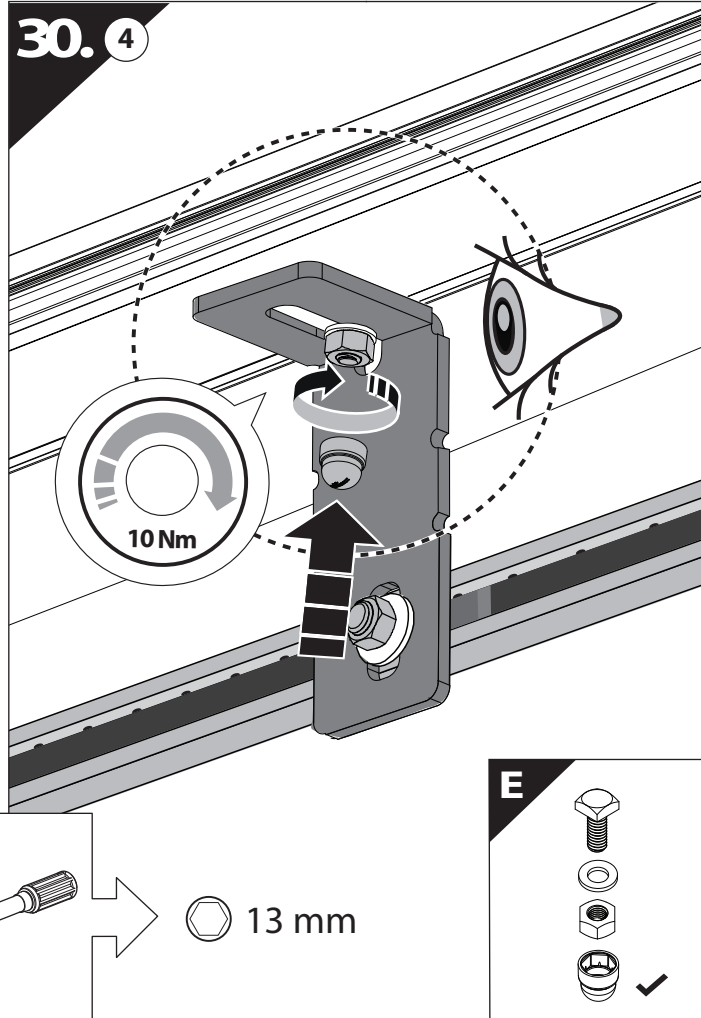
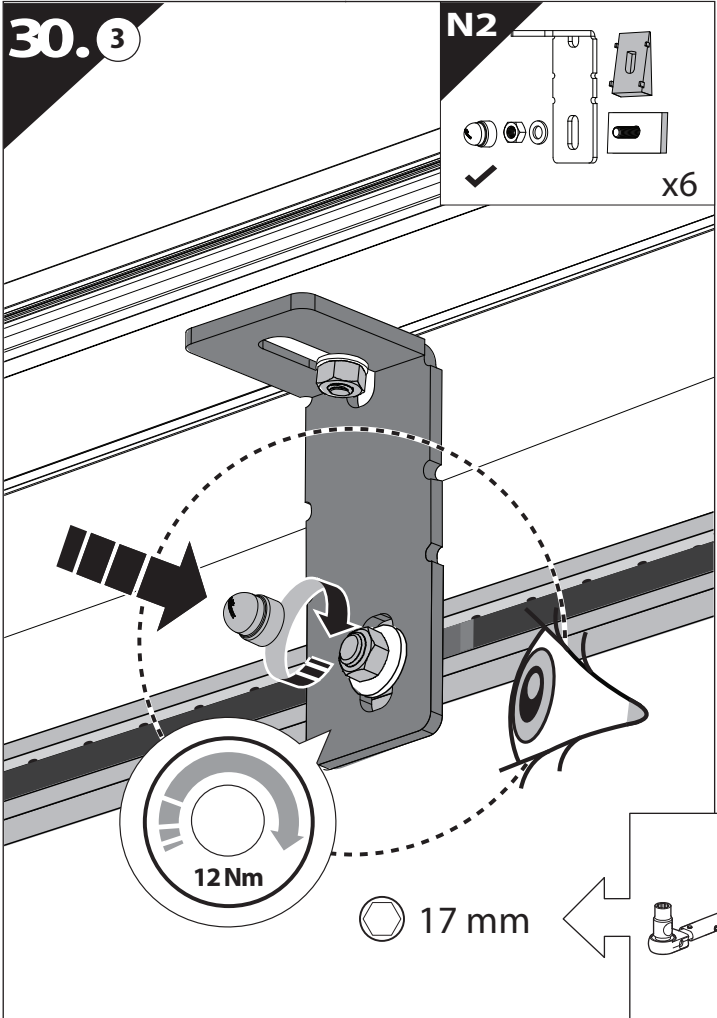


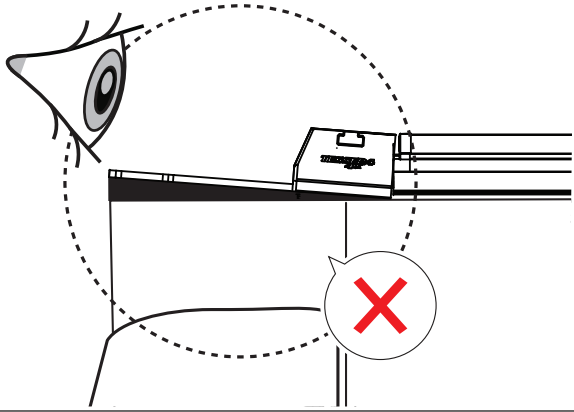
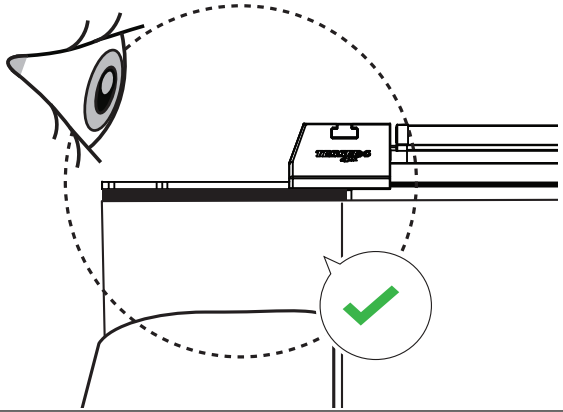
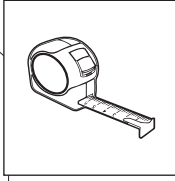
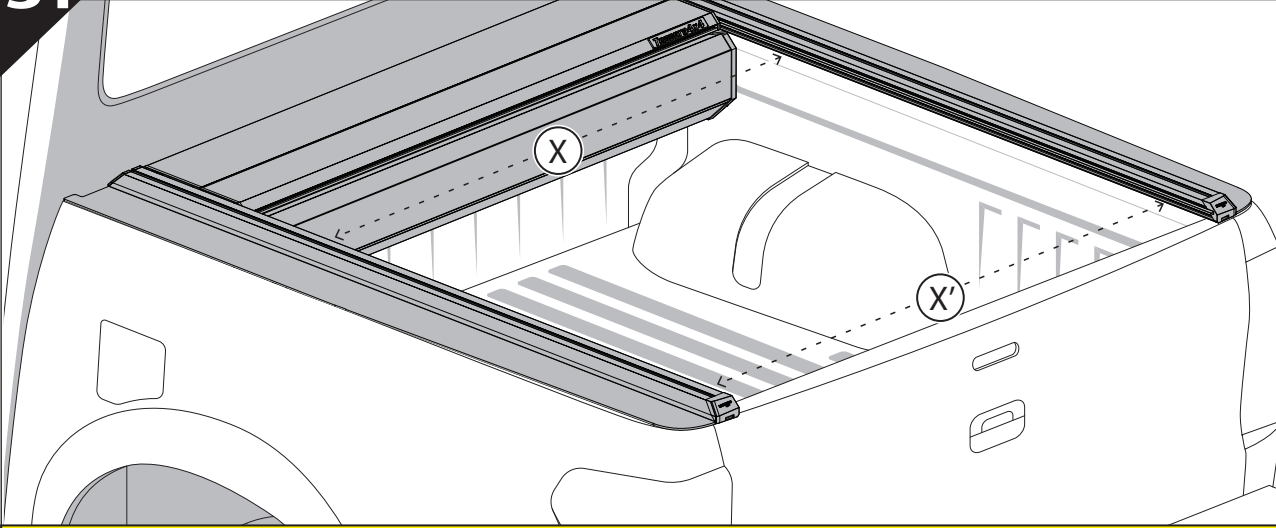
**N2**

x6

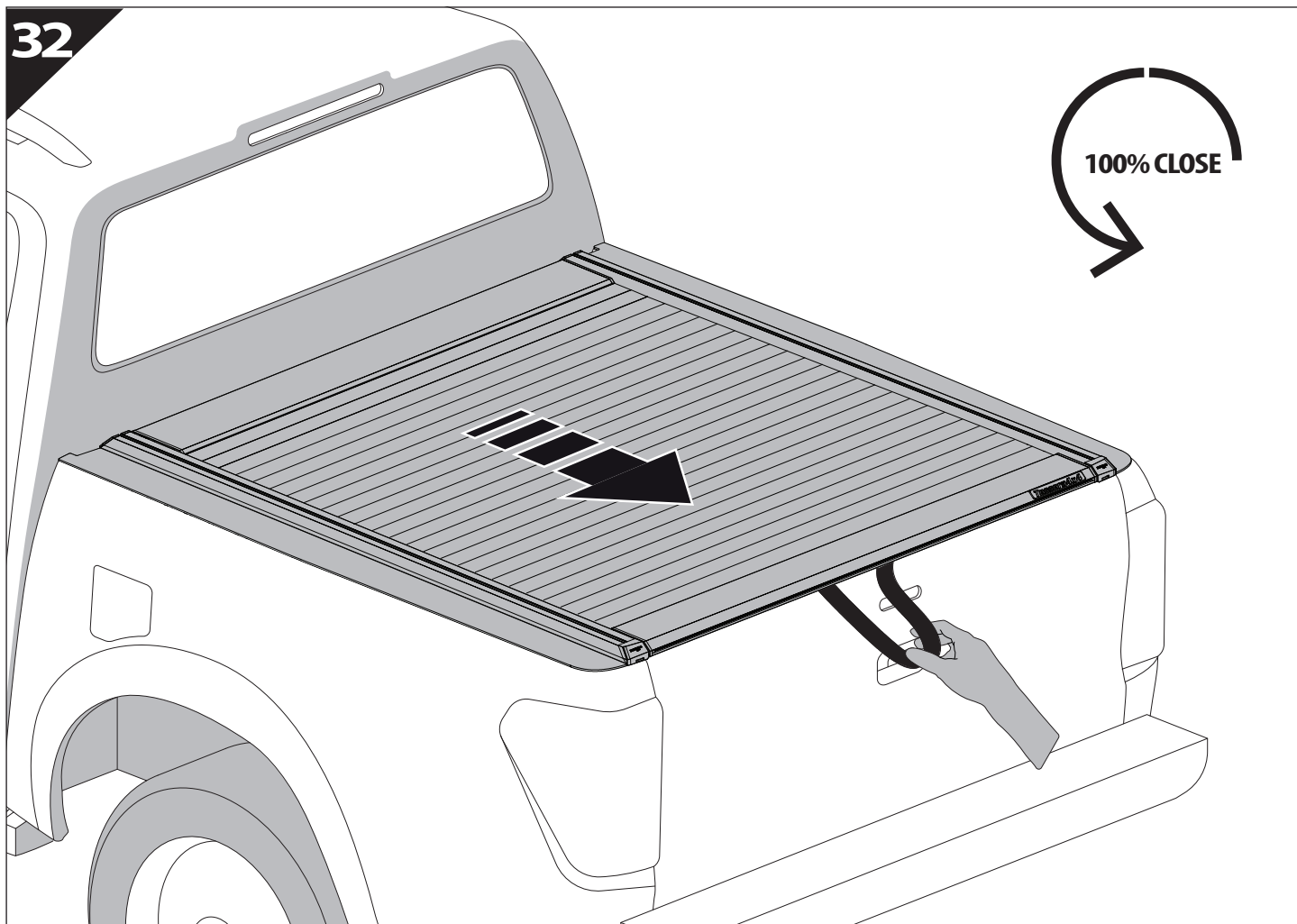
30. 2



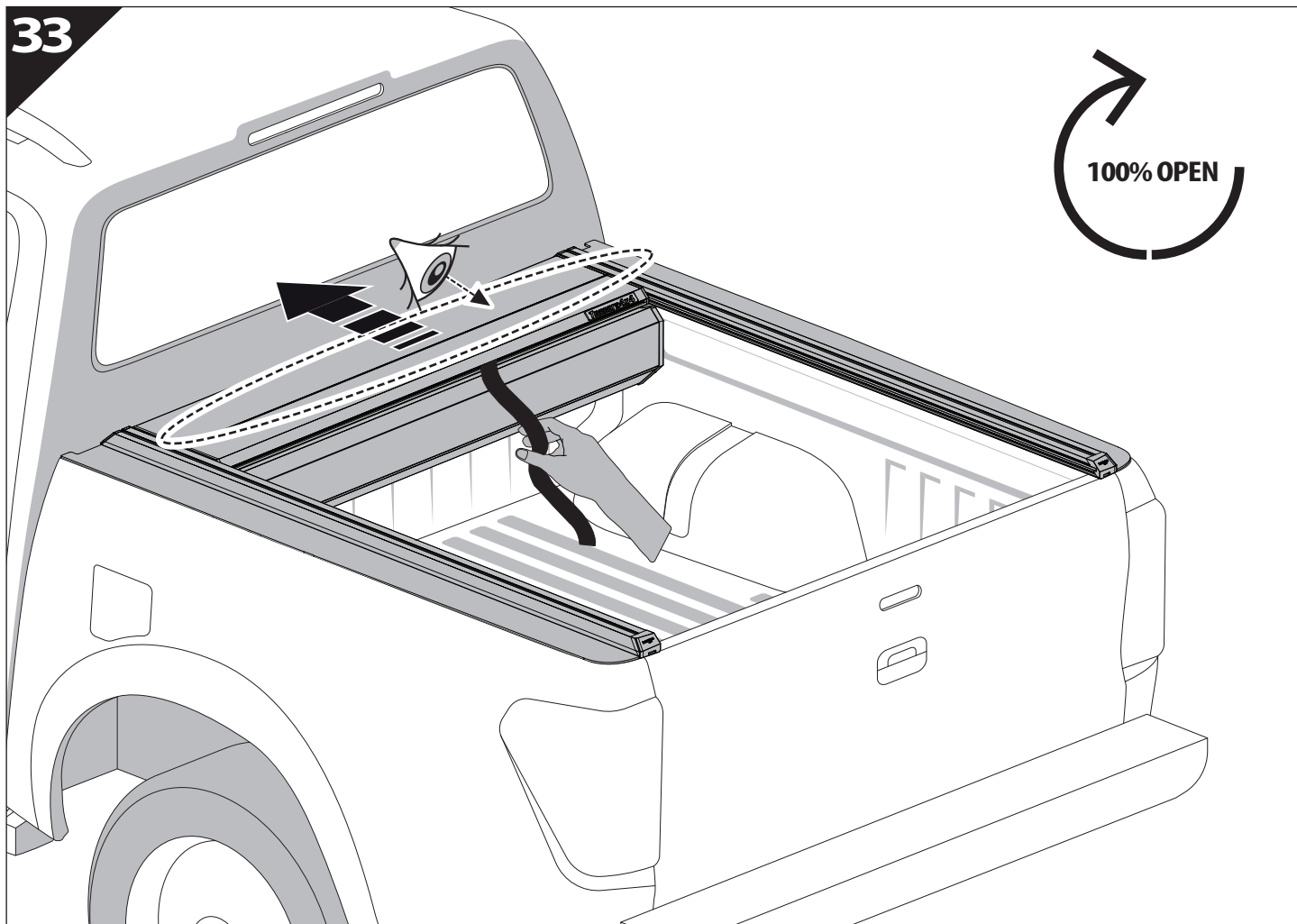




32



33









**GR:** Οδηγίες Εγκατάστασης  
**GB:** Installation manual  
**SF:** Asennusohje  
**F:** Notice de montage  
**PL:** Instrukcja montażu  
**NL:** Installatie-instructies  
**TR:** Montaj Talimatı  
**S:** Monteringsanvisning  
**E:** Instrucciones de montaje

**H:** Szerelési utasítás  
**P:** Instruções de instalação  
**RUS:** Инструкция по установке  
**N:** Monteringsveiledning  
**D:** Einbauanleitung  
**CZ:** Návod k instalaci  
**I:** Istruzioni di montaggio  
**DK:** Monteringsvejledning  
**RO:** Instructiuni de instalare

Customer Service:

+30 (210) 5541161, +30 (210) 5541154 (08:00 - 16:00 EET)

Support department:

[info@gianso.gr](mailto:info@gianso.gr)

Website:

[www.tessera4x4.com](http://www.tessera4x4.com)

Address:

19.5 km of National road Athens-Korinthos (Elefsina) Greece, P.C: 19240