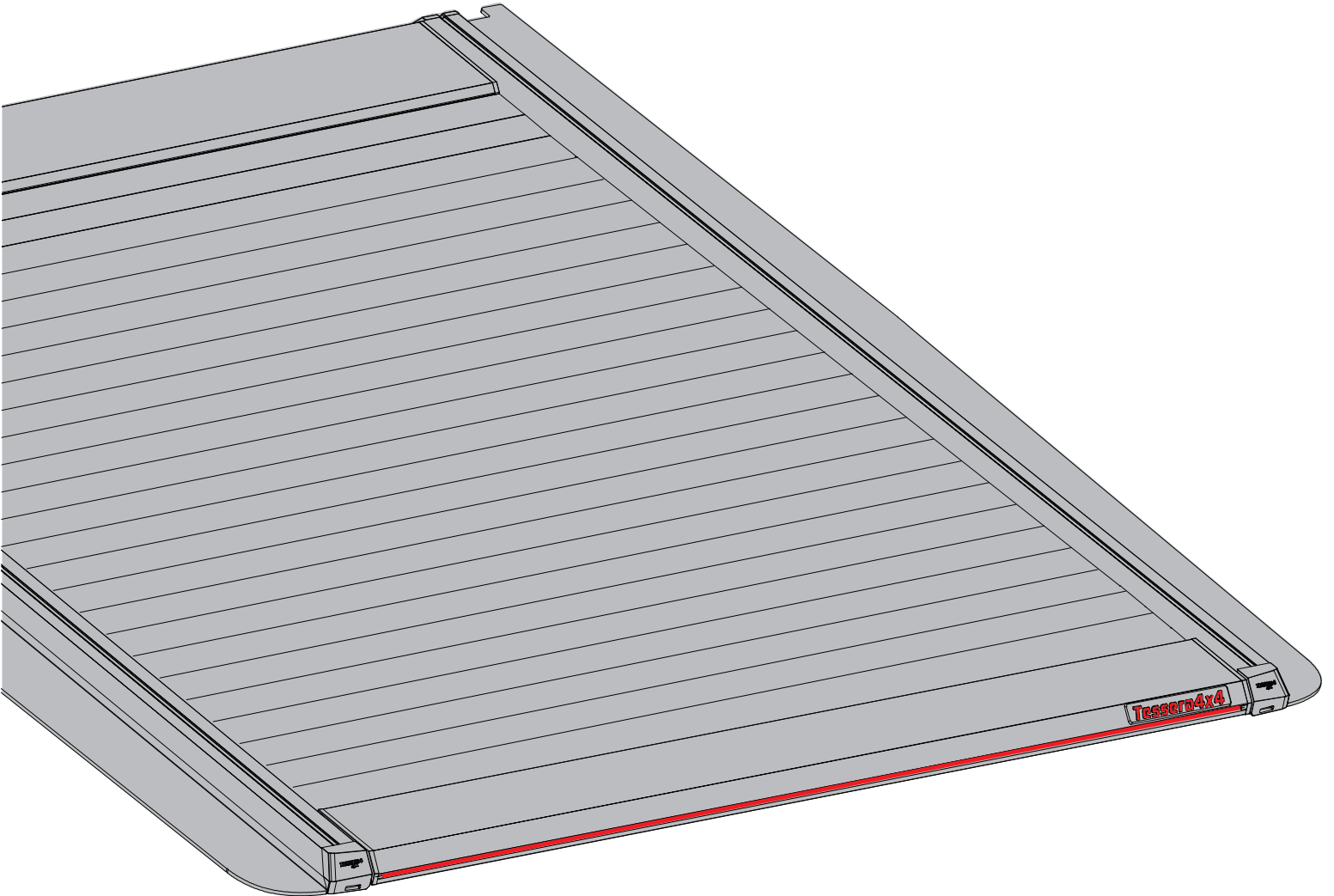


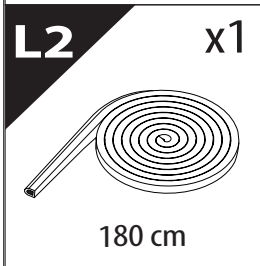
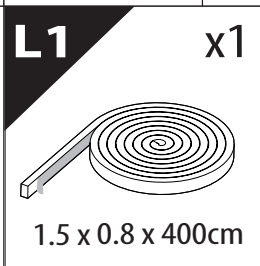
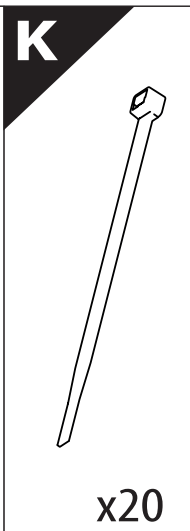
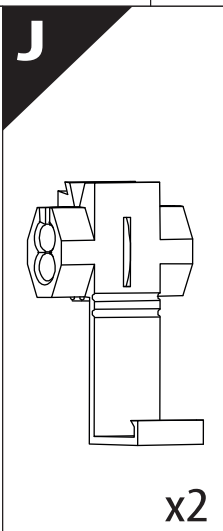
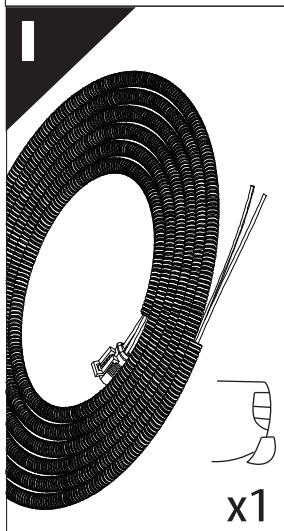
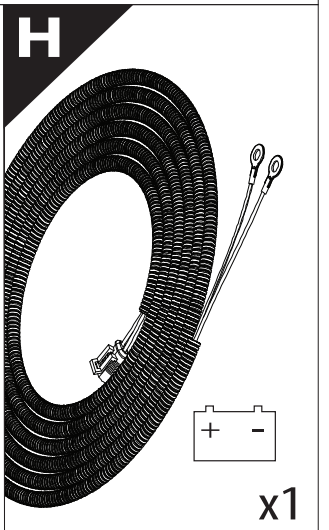
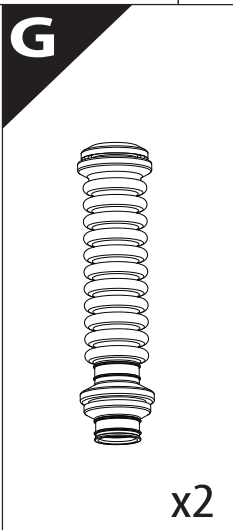
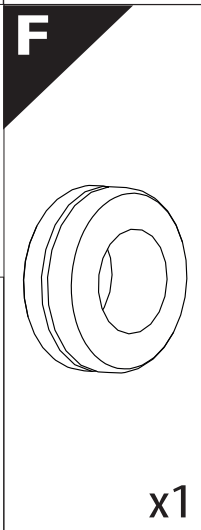
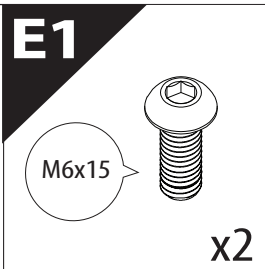
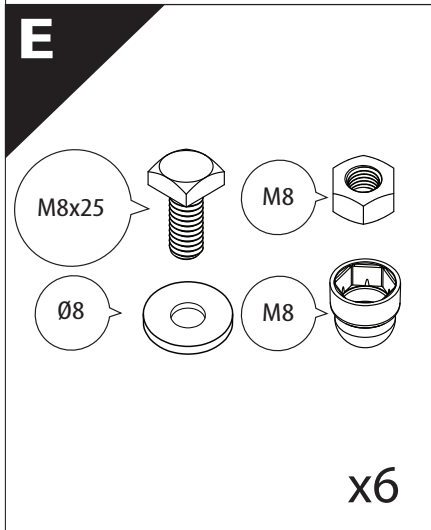
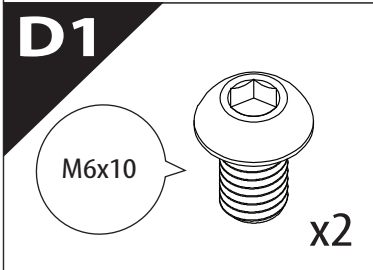
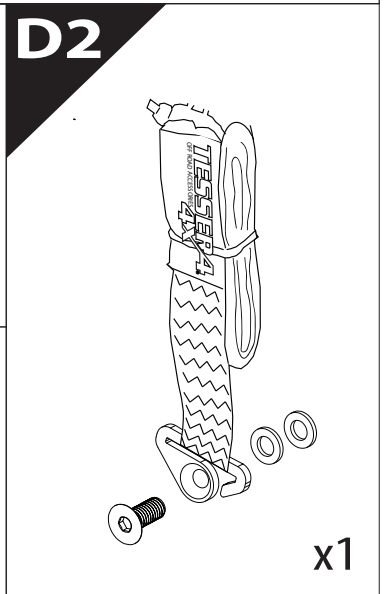
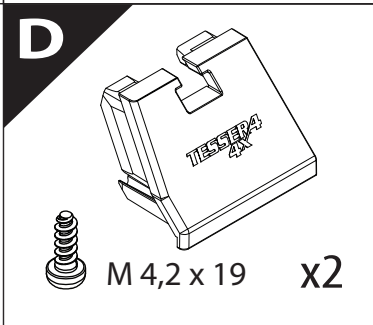
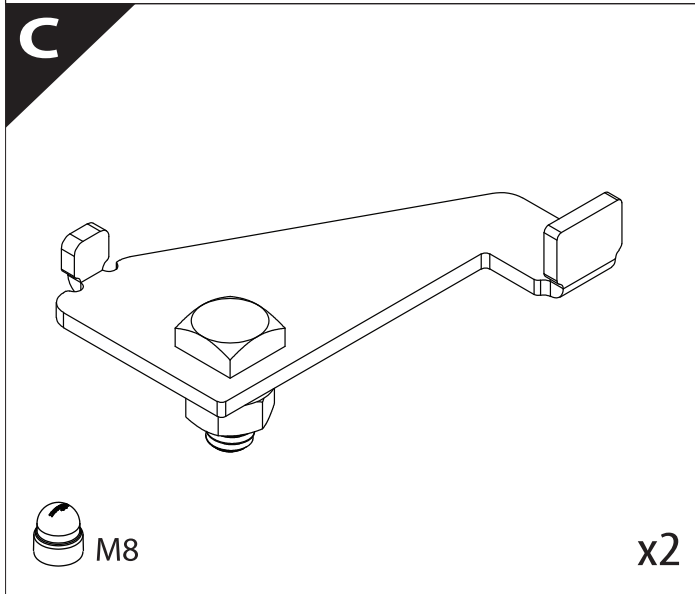
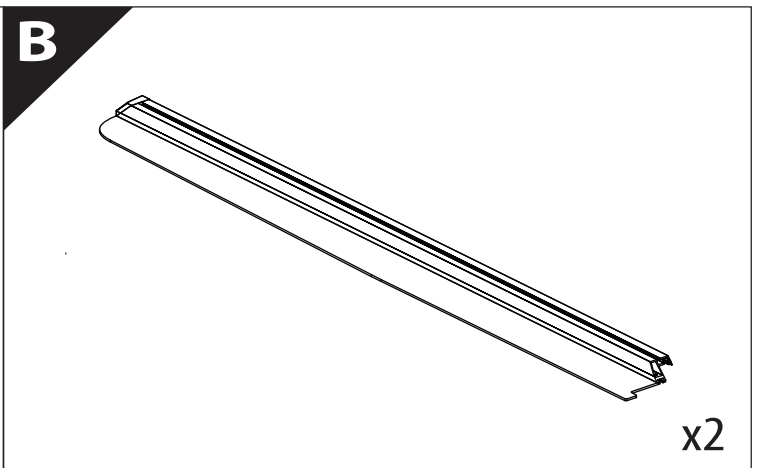
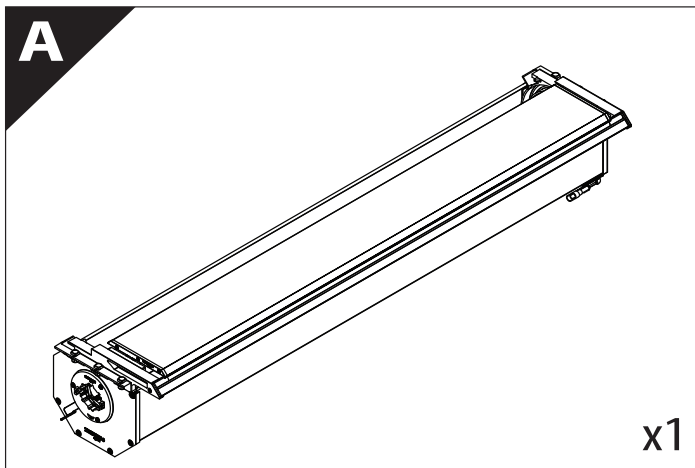
Tessera Roll+

Basic Version + ⚡ E-KIT

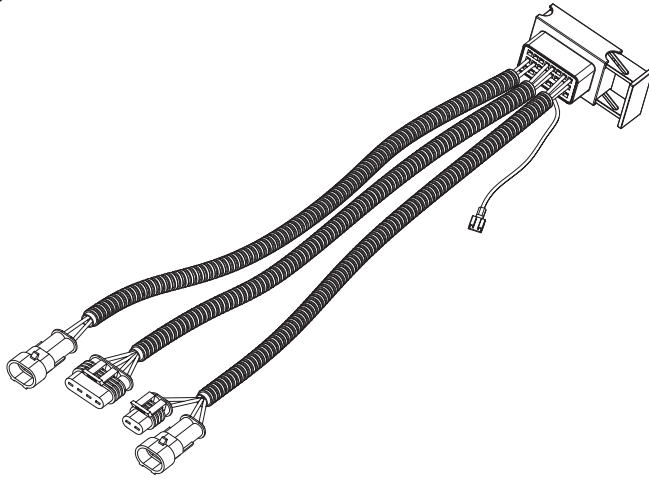


Installation Manual

PART NUMBER(S)	Model Year
TESS 1431 ROLL+ E-KIT	Toyota Tundra 2014 ->2021 & 2022+ (with and without c-channels)
TESS 14311 ROLL+ E-KIT	
Cab(s)	Installation Time / Weight
5.5 Feet & 6.5 Feet	40-60 minutes / 53-57 kg

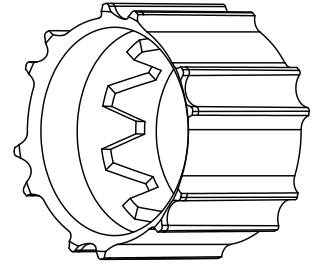


M2



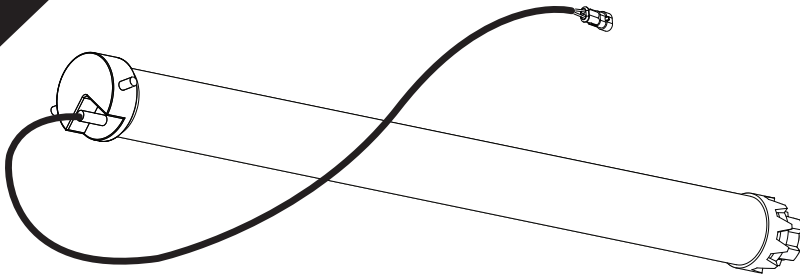
x1

N



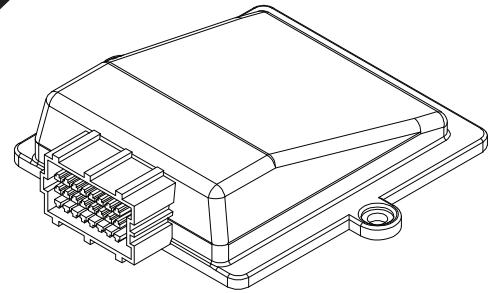
x1

O



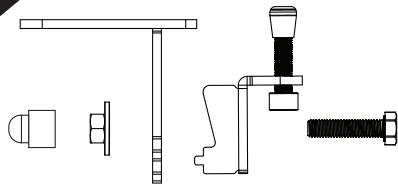
x1

P



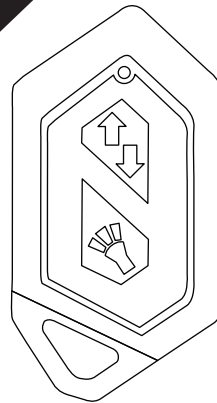
x1

Q1



x6

R



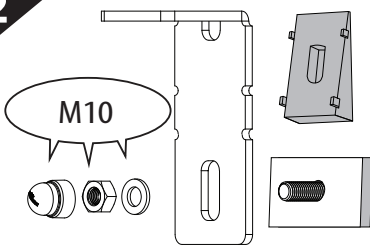
x2

S

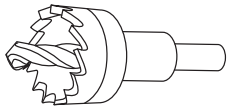


x2

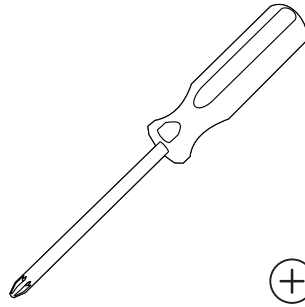
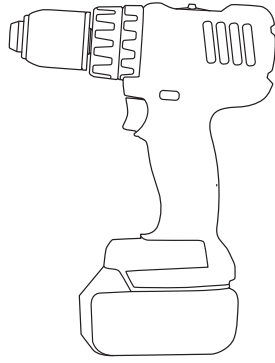
Q2



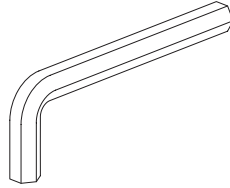
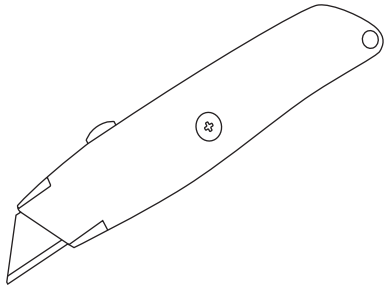
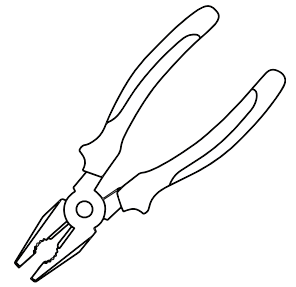
x6



Ø 25 mm

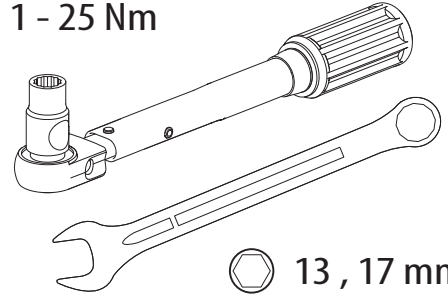


+



4 mm

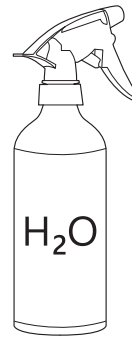
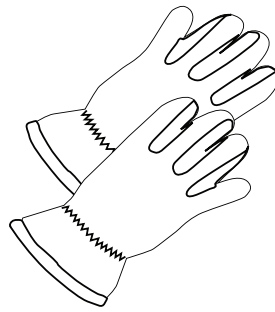
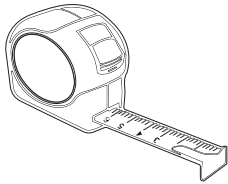
1 - 25 Nm



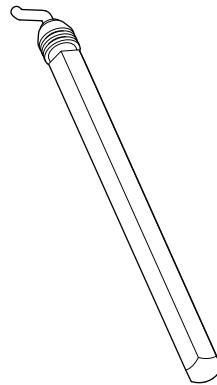
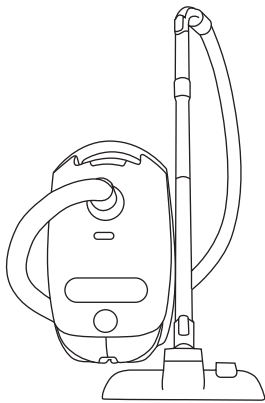
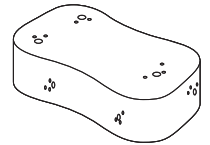
13, 17 mm



ACETONE



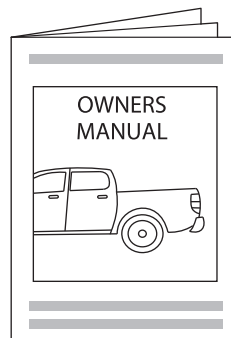
H₂O



ANTI-RUST



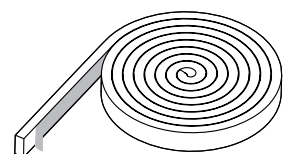
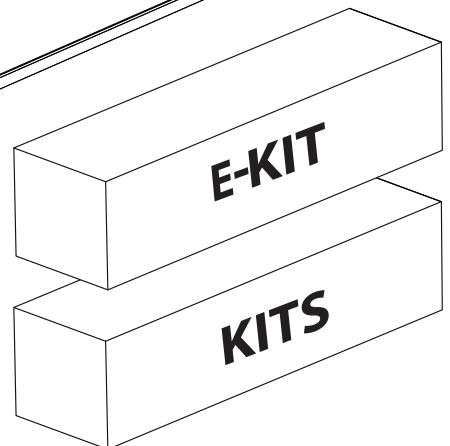
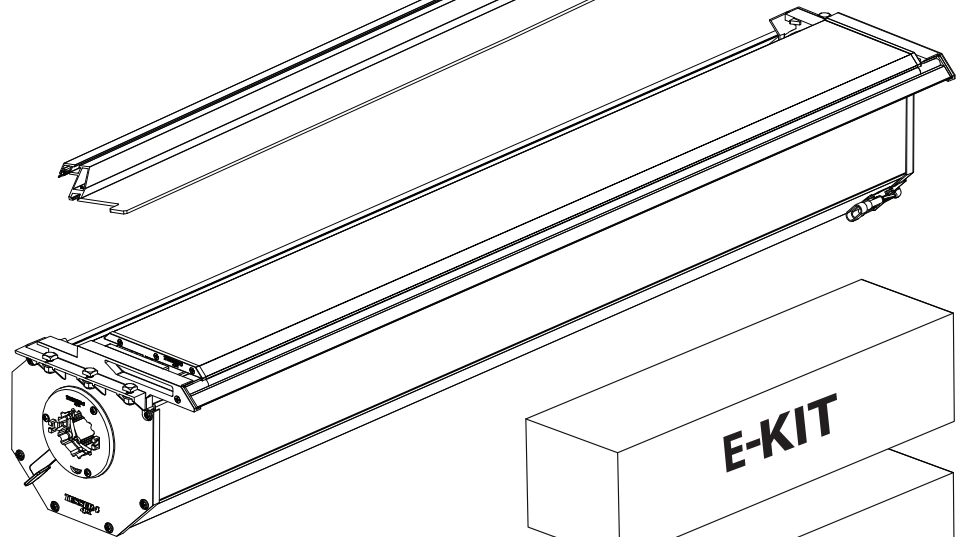
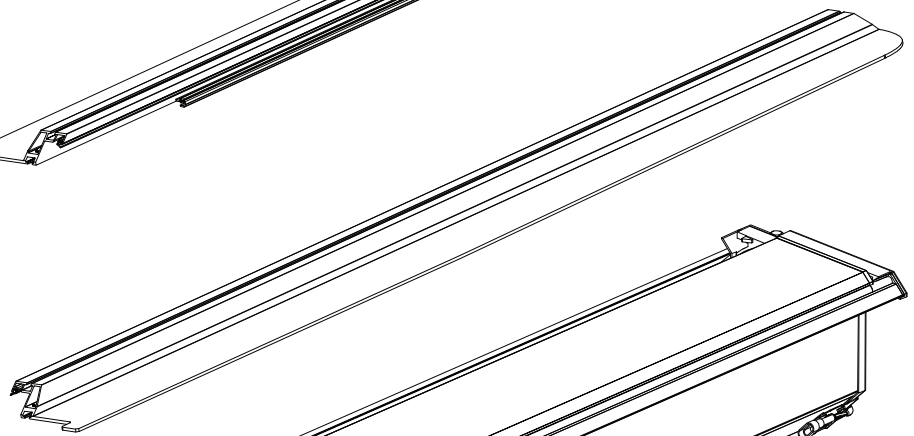
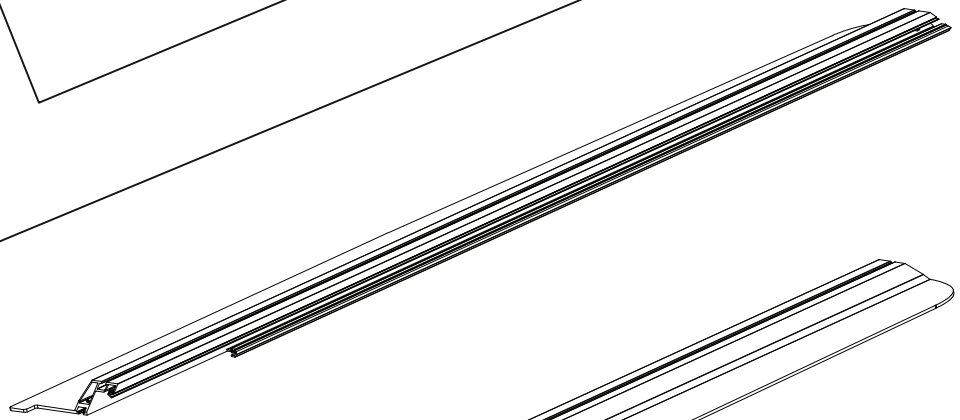
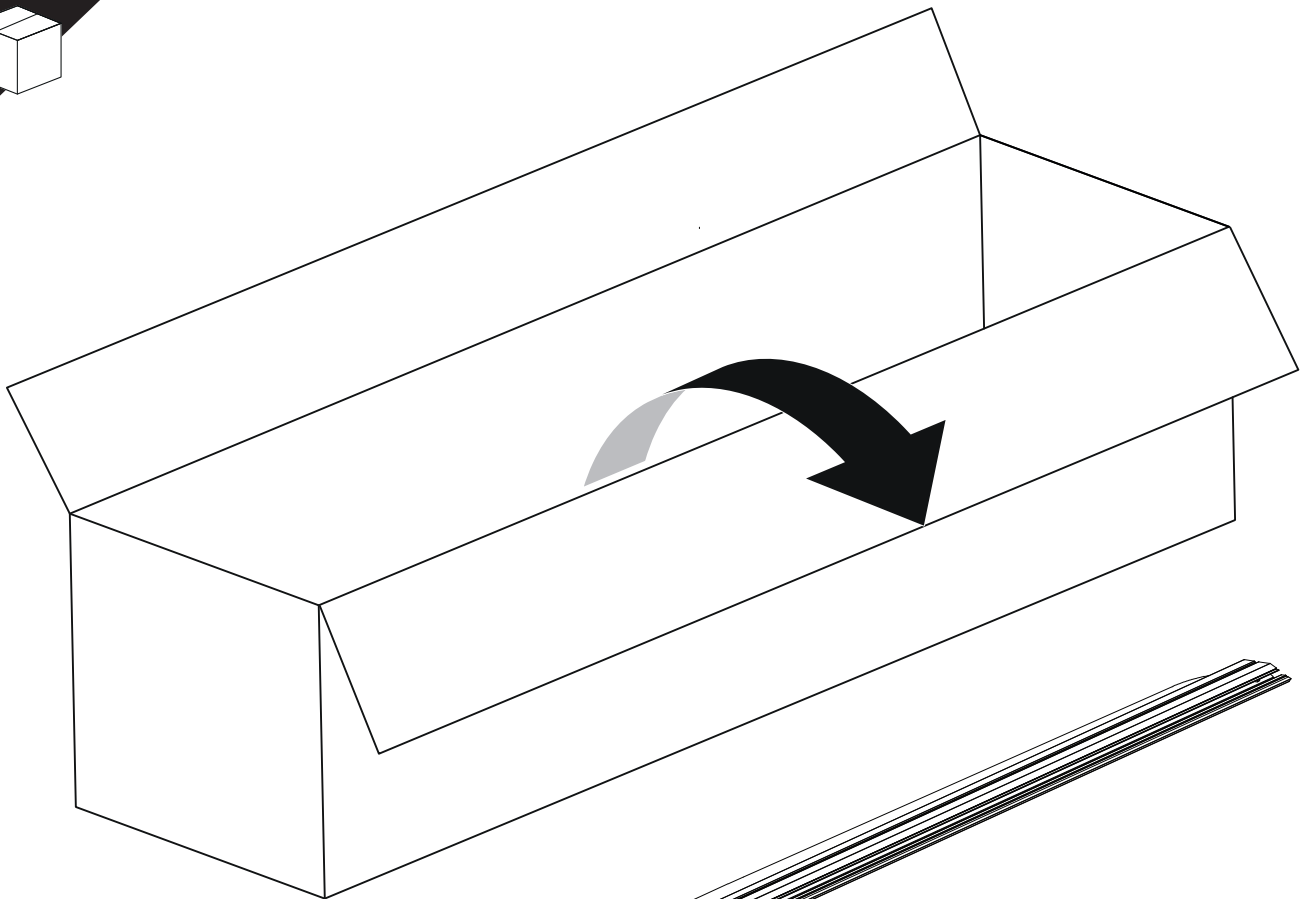
INSTALLATION
MANUAL
+E-KIT



OWNERS
MANUAL



x1

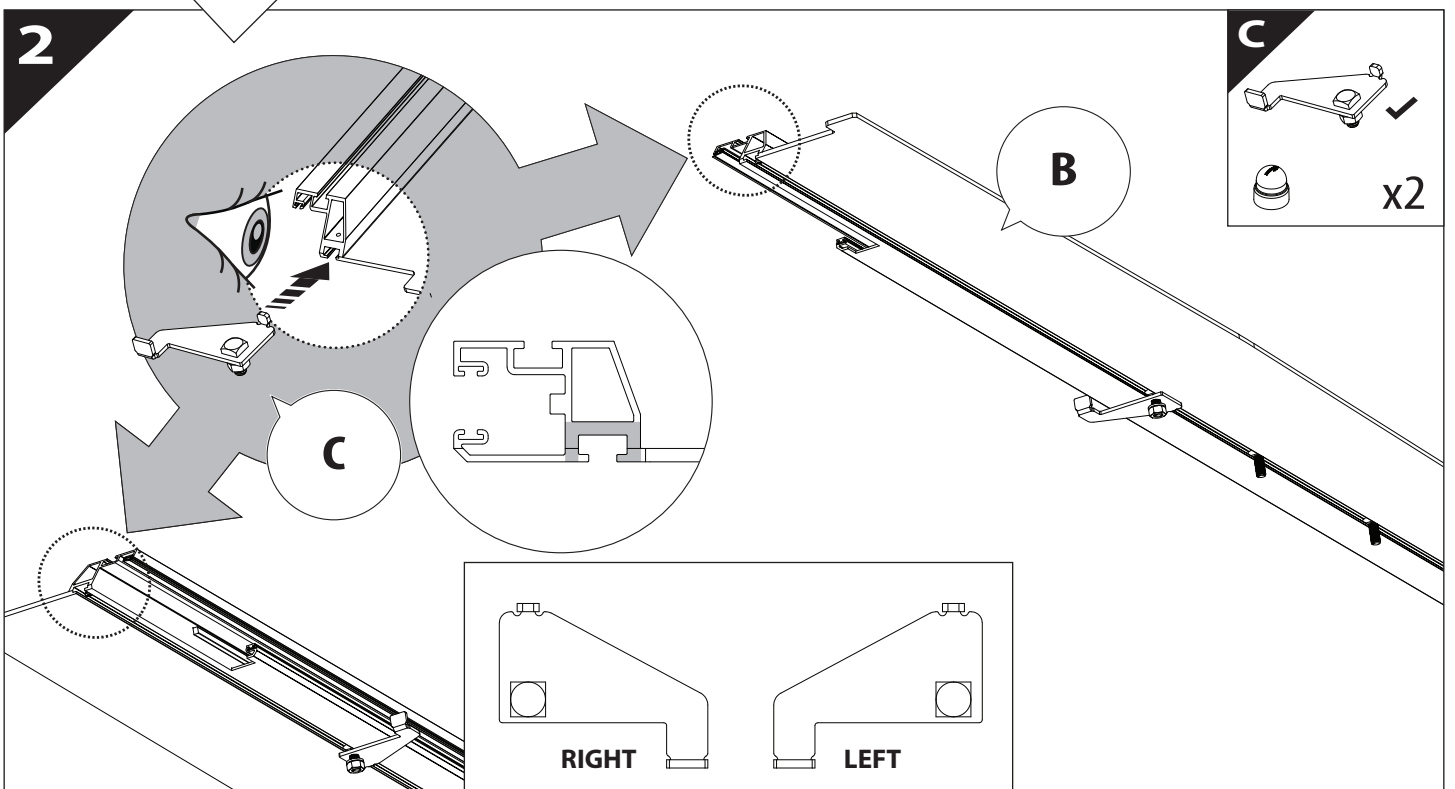
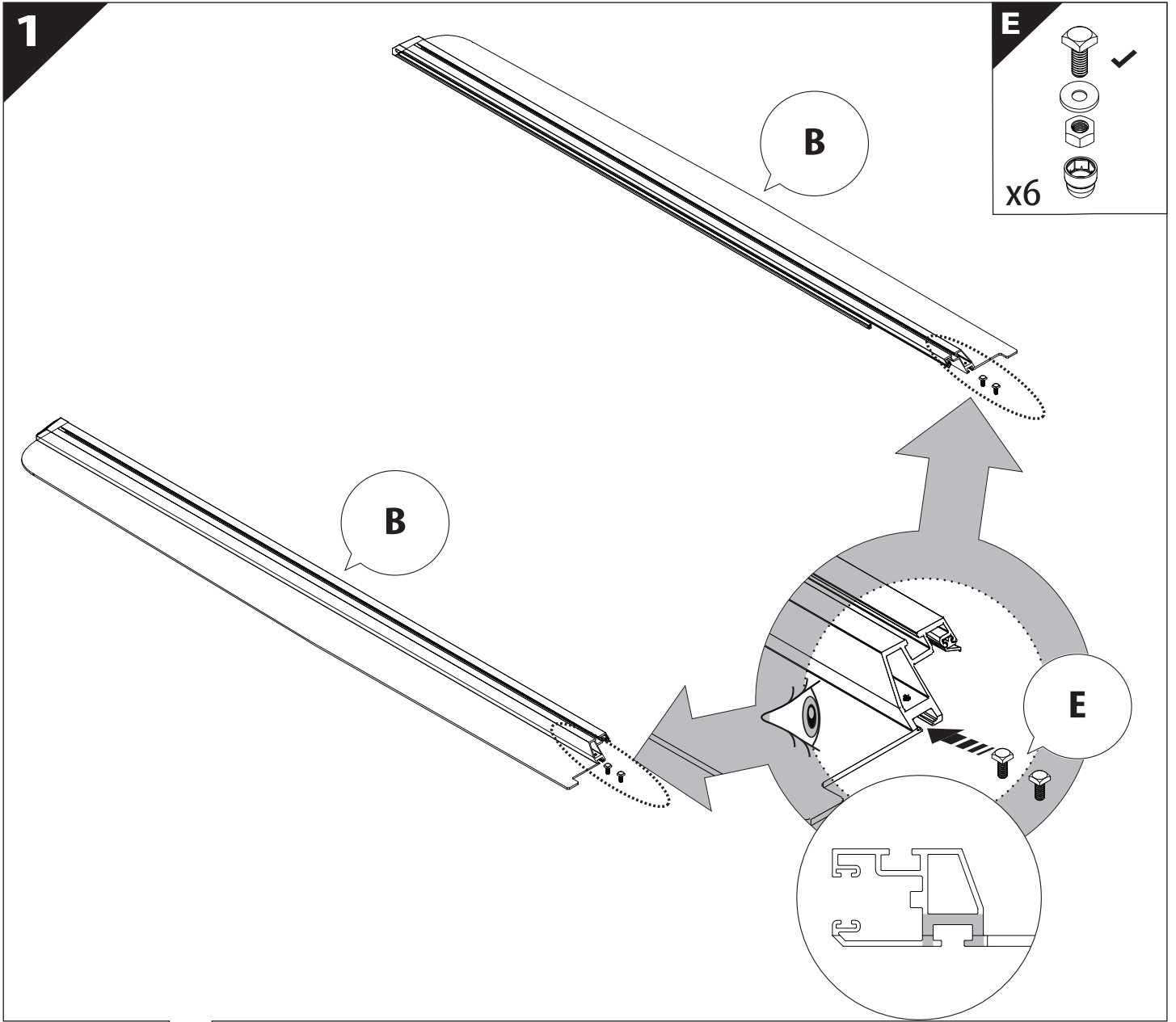


B

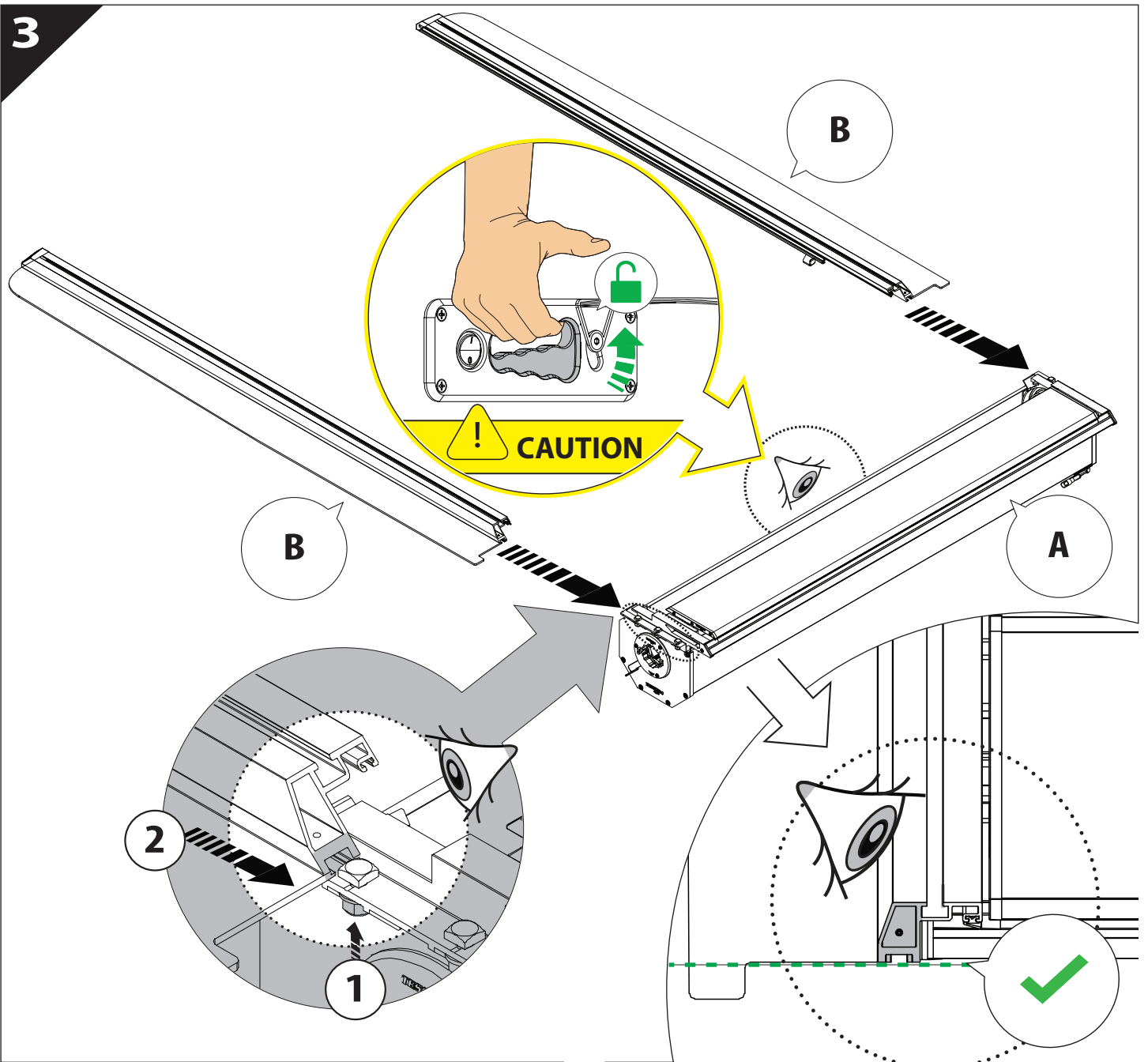
A

KITS

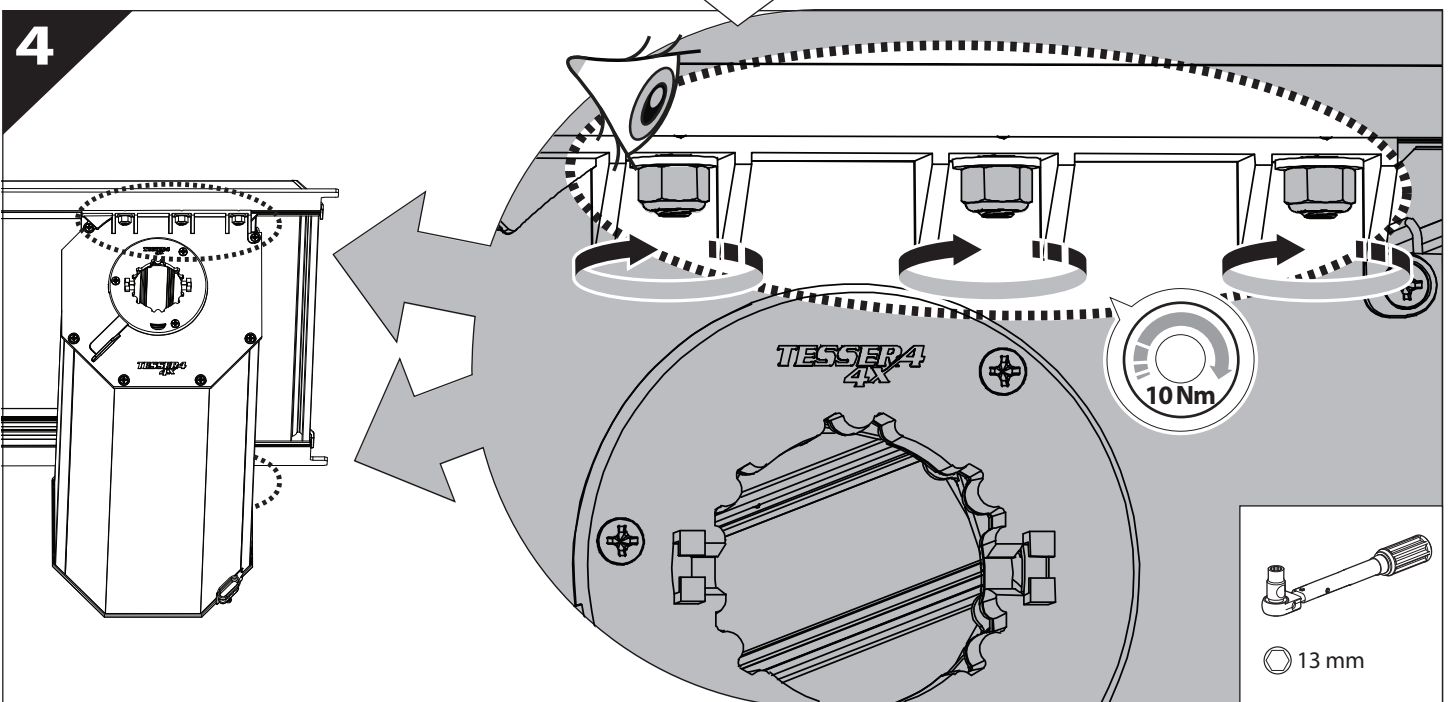
L

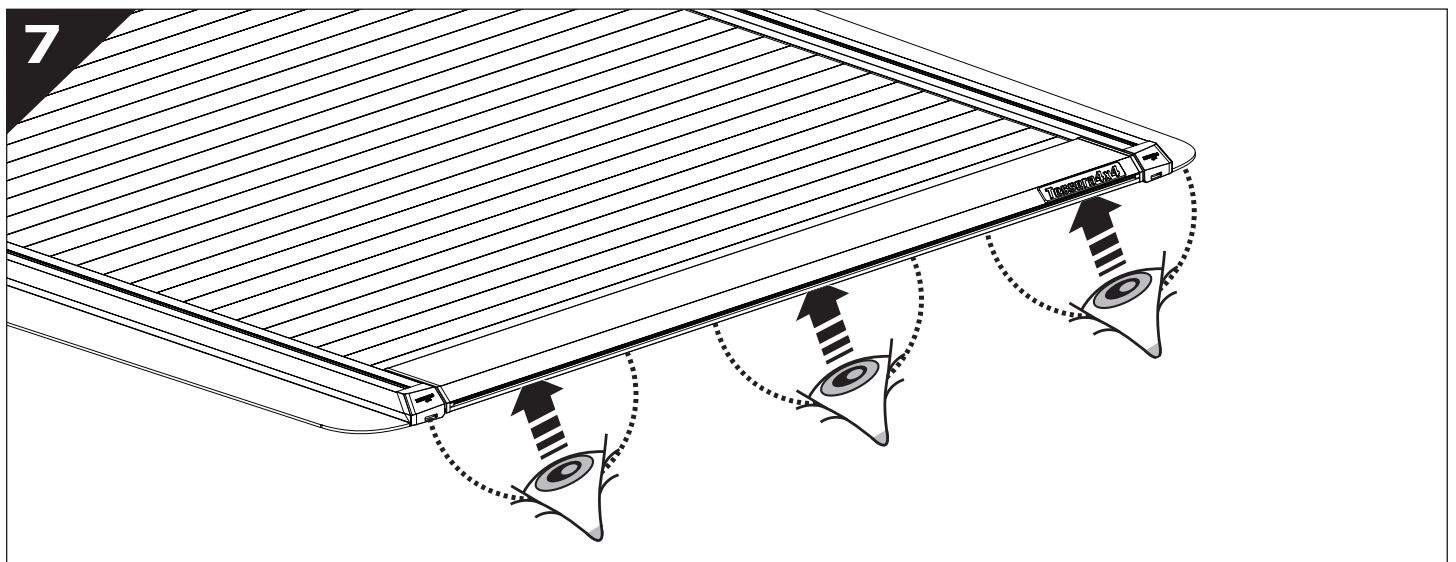
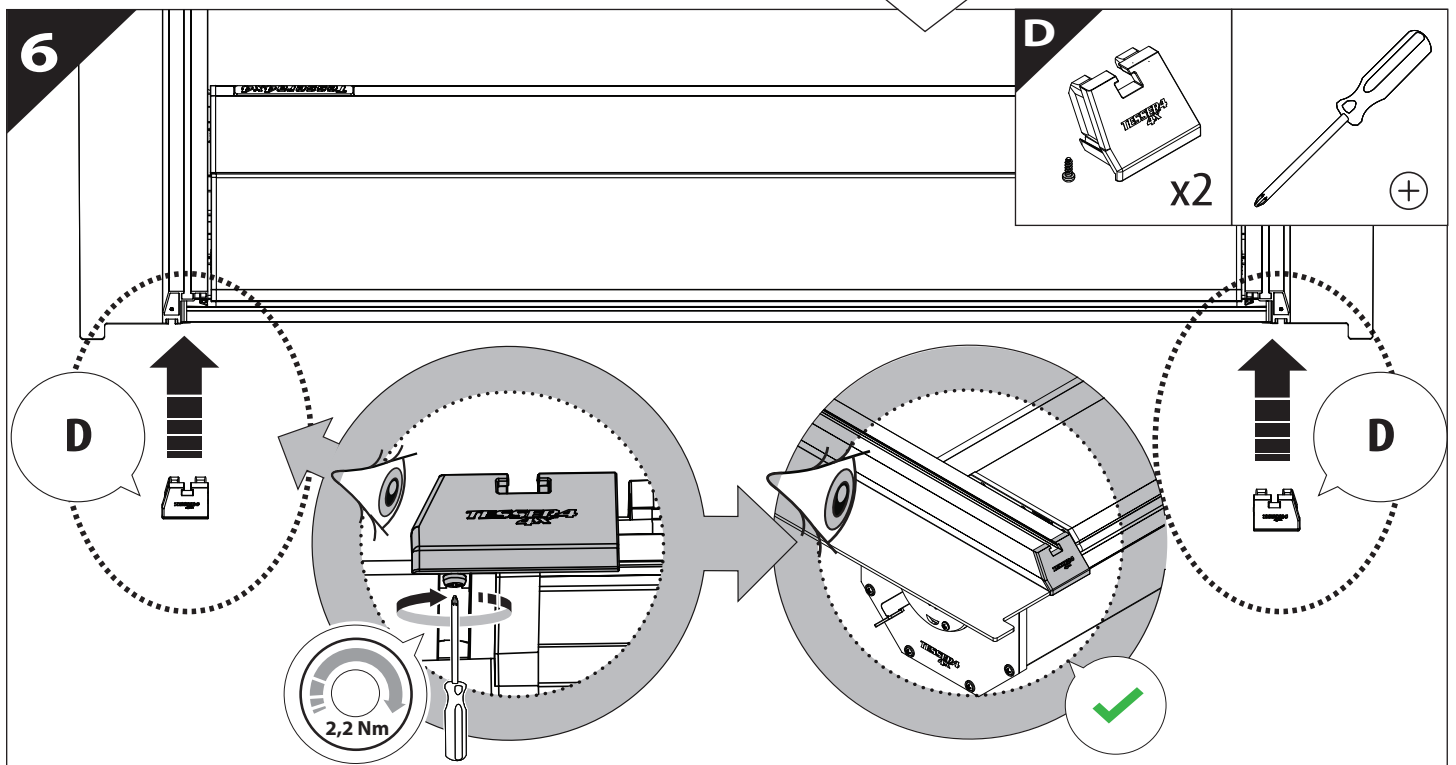
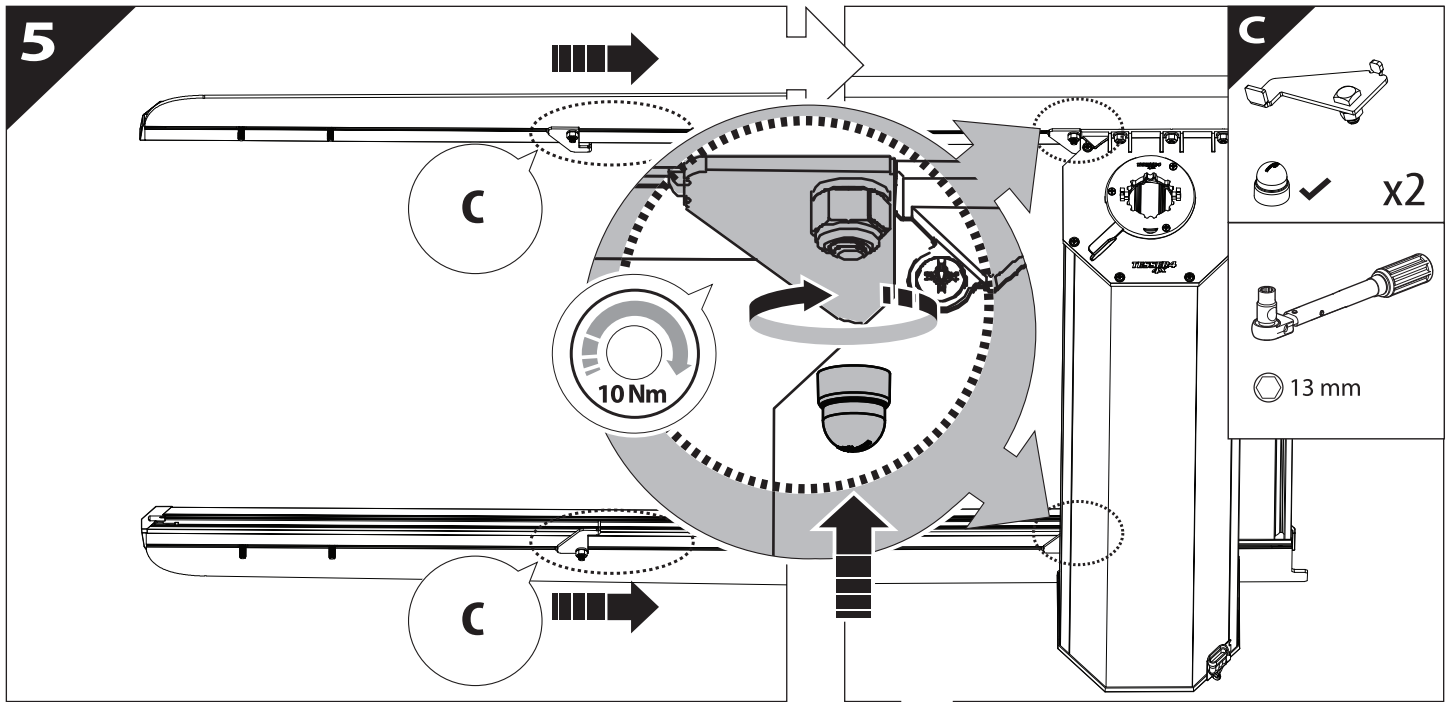


3

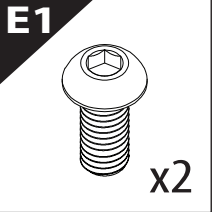
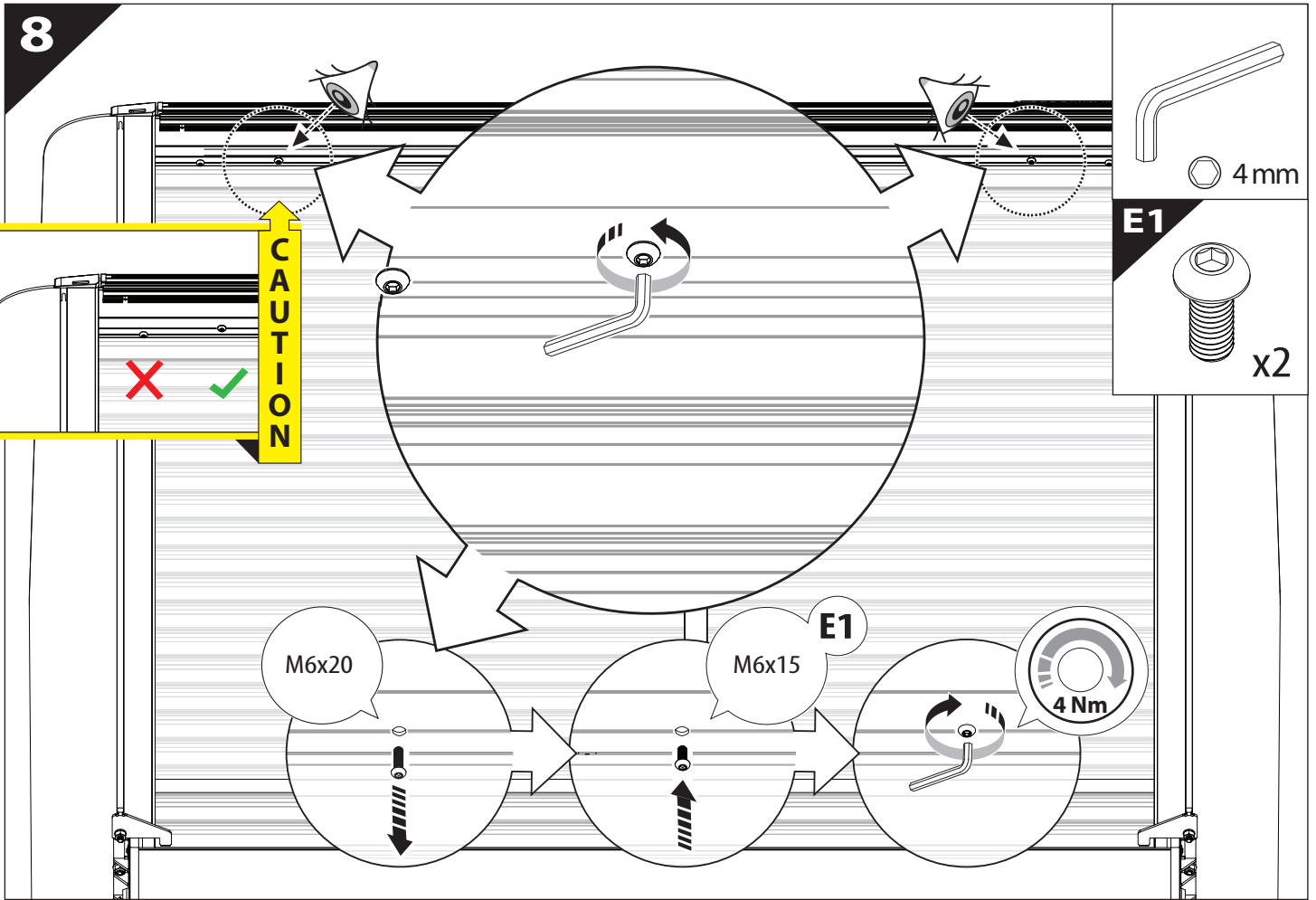
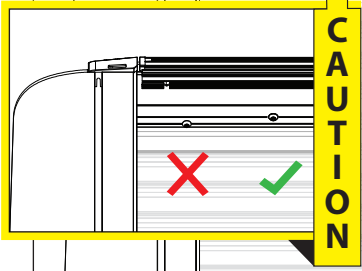


4

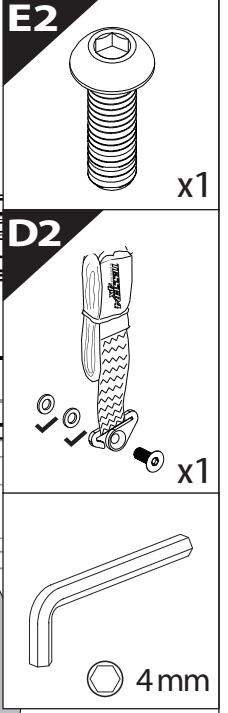
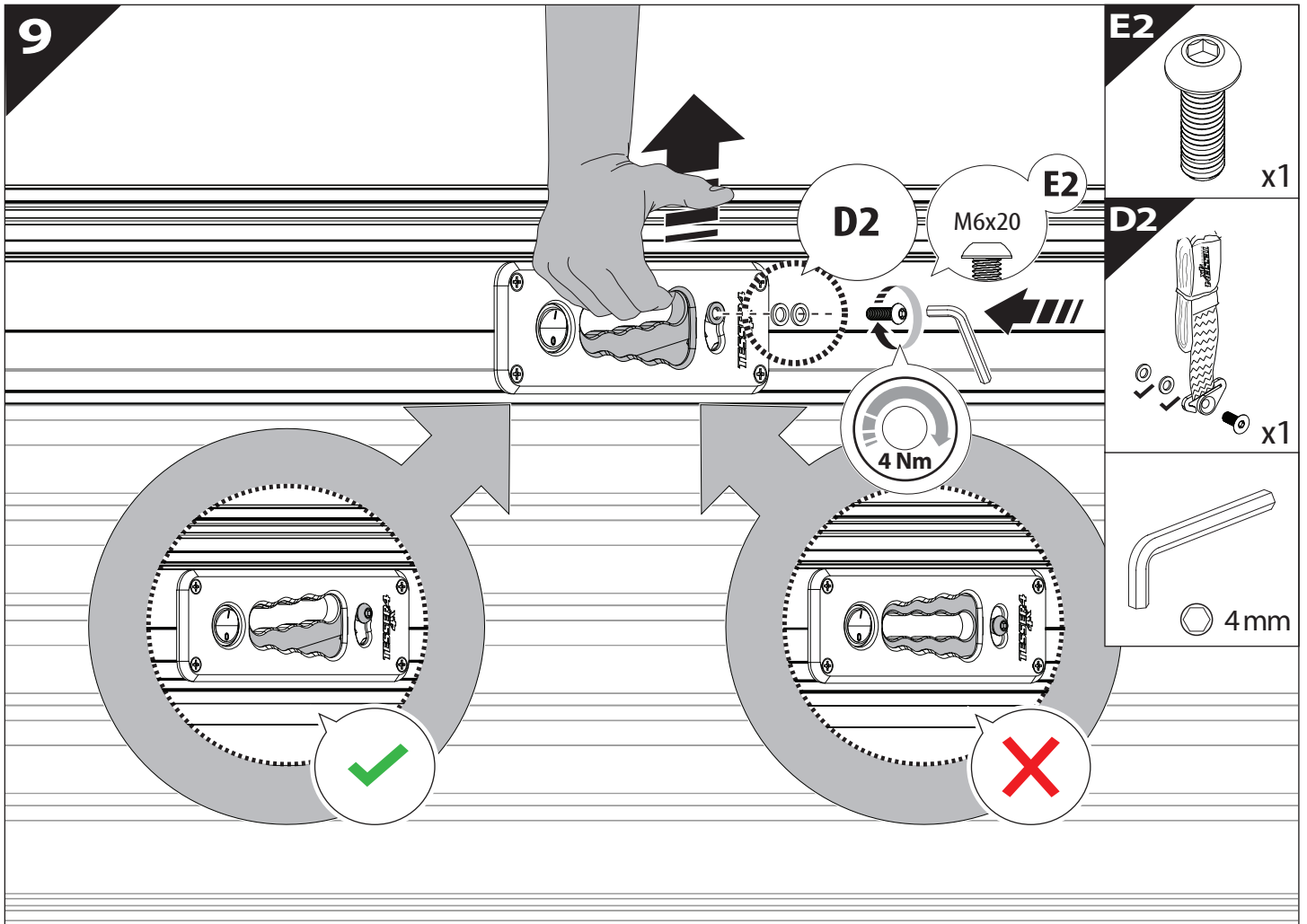


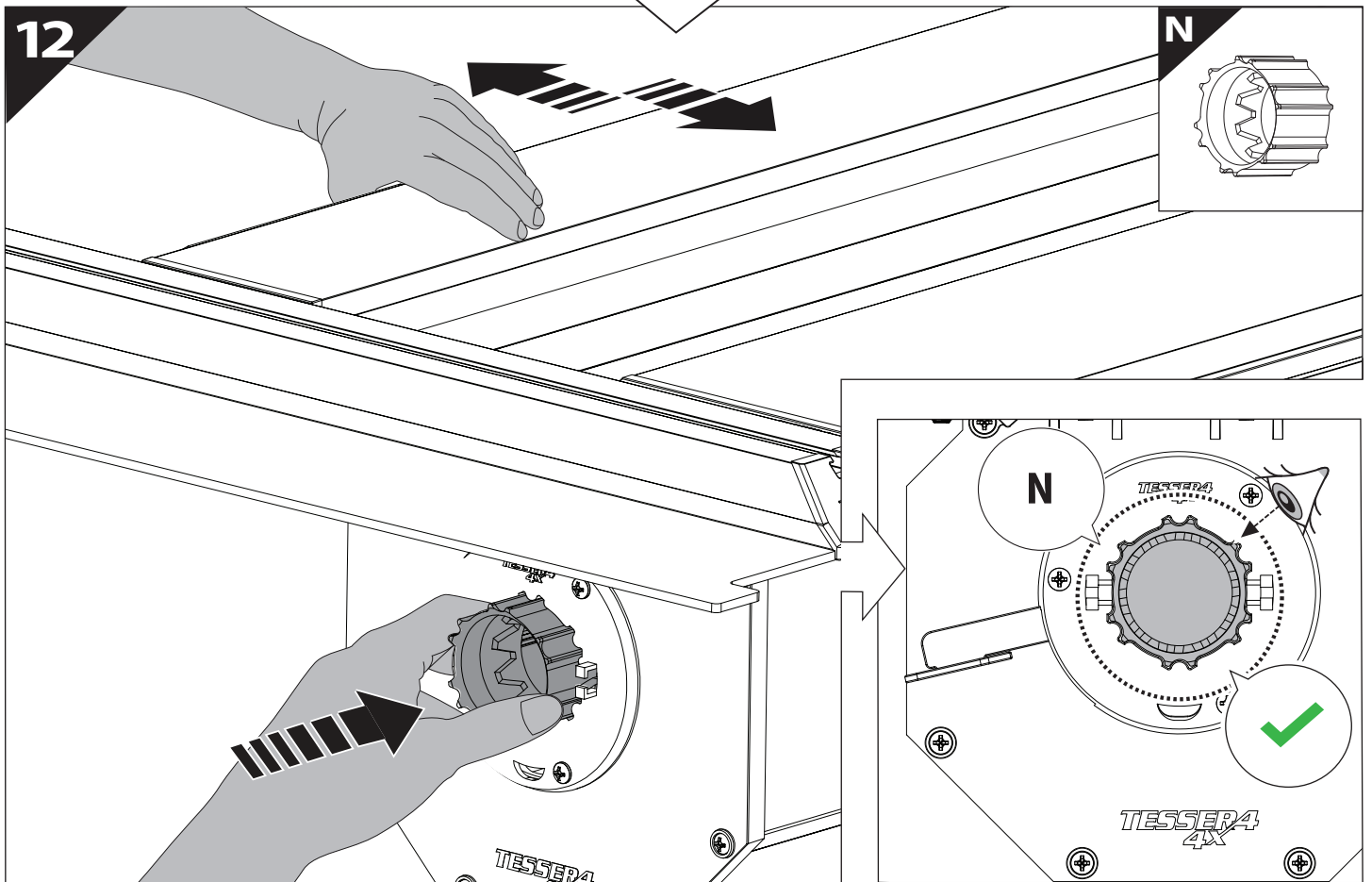
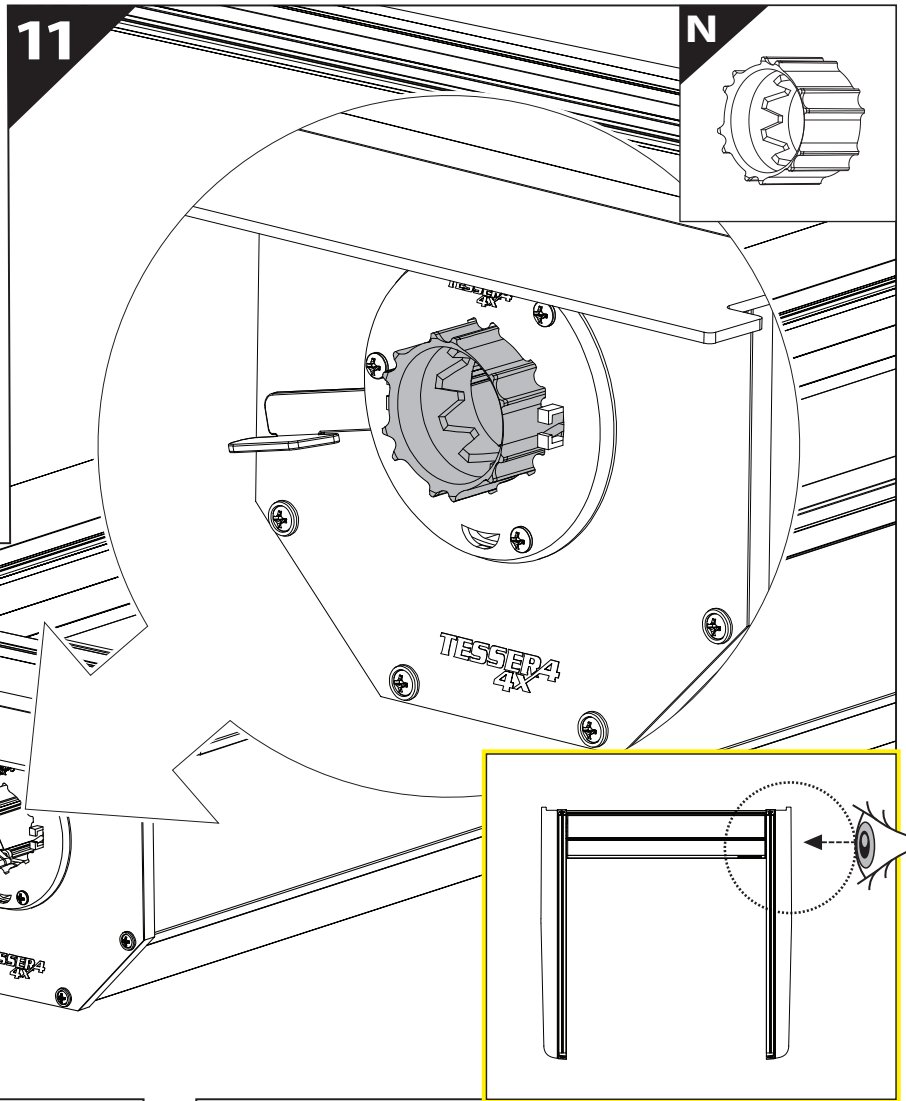
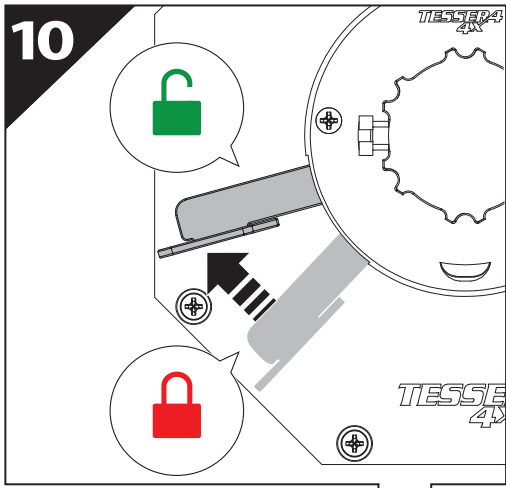


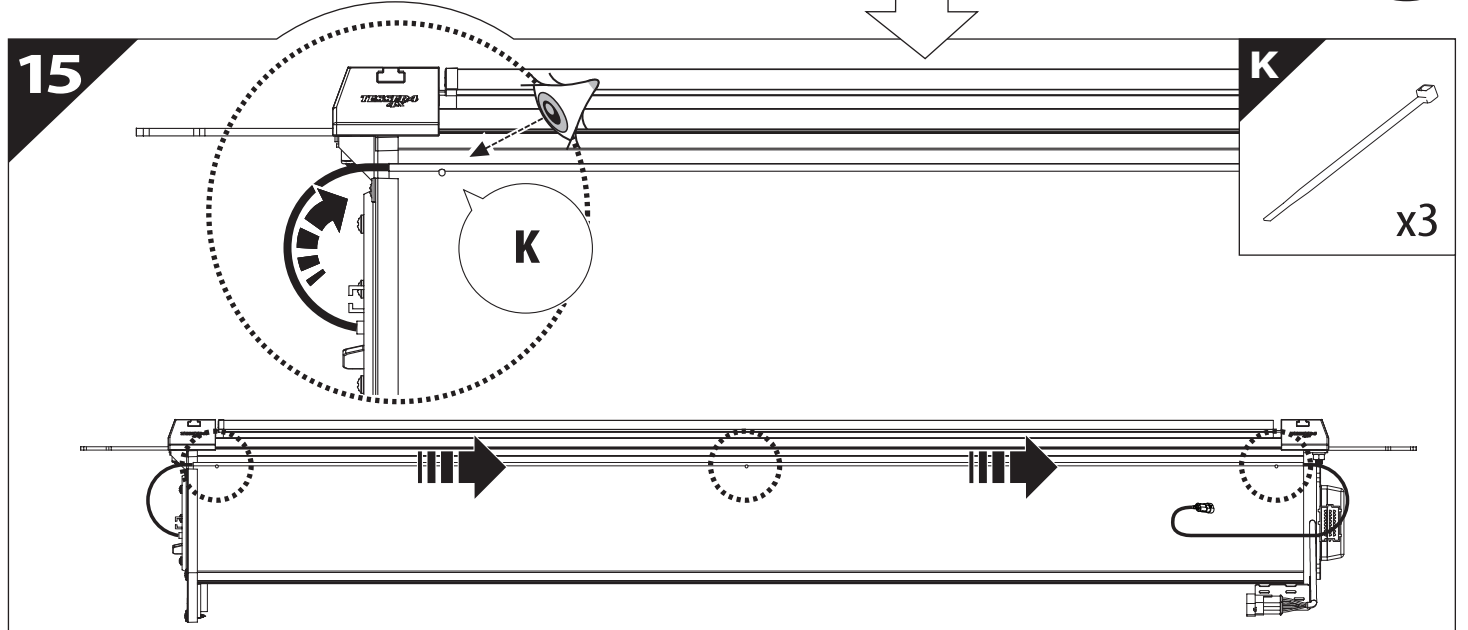
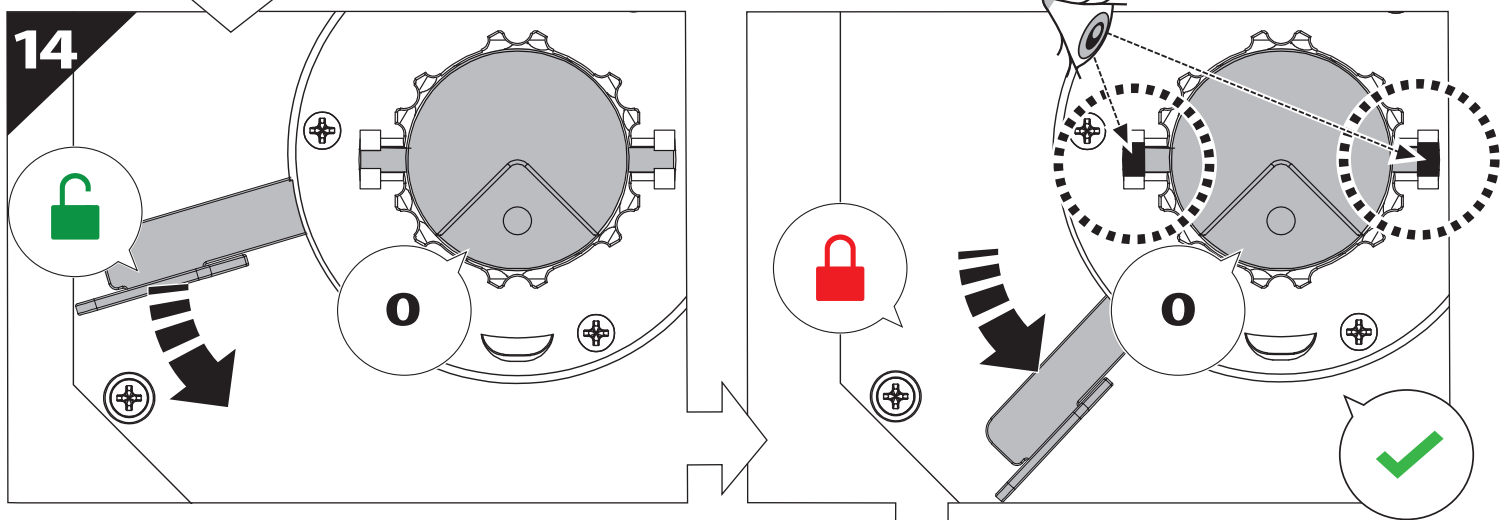
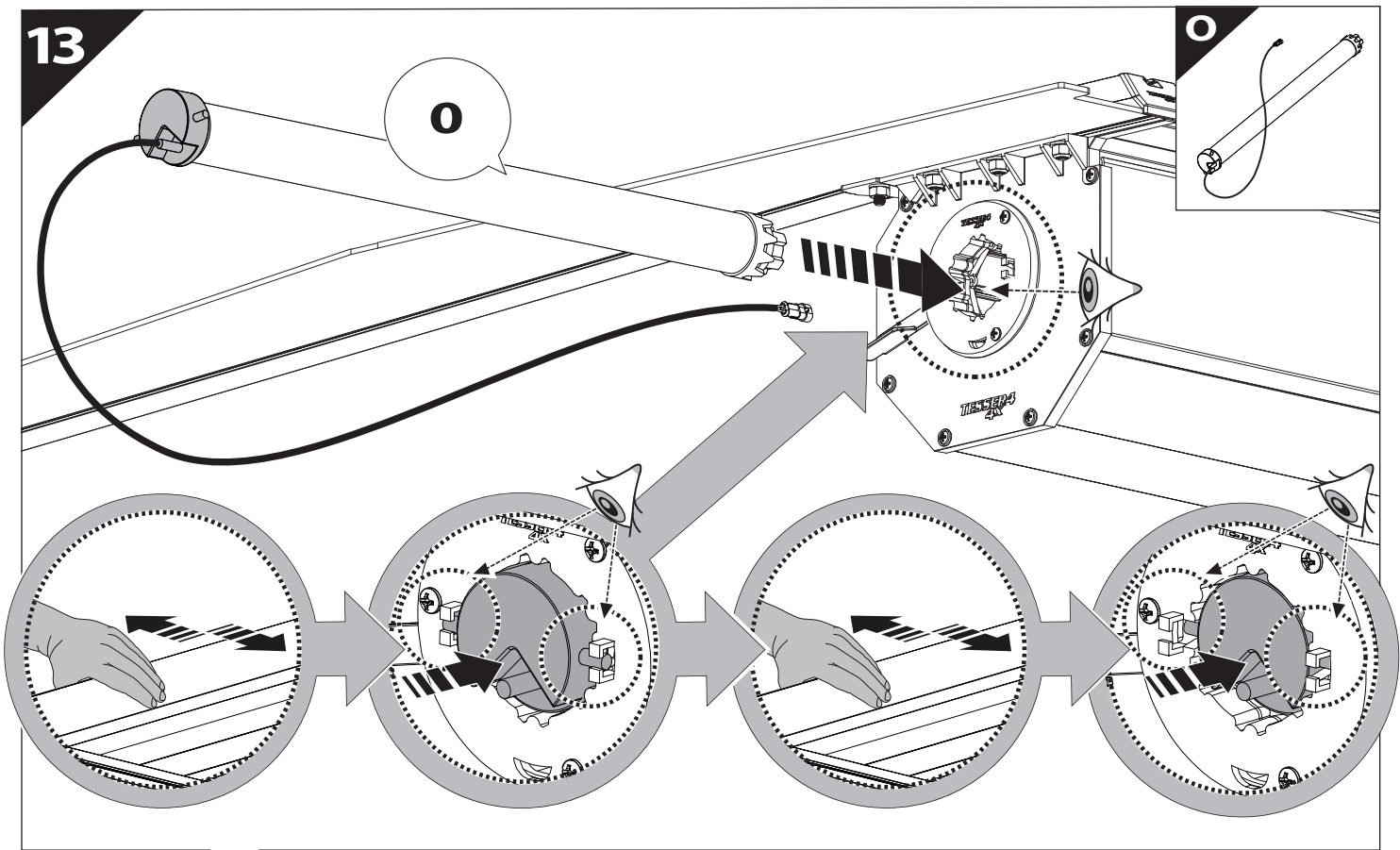
8

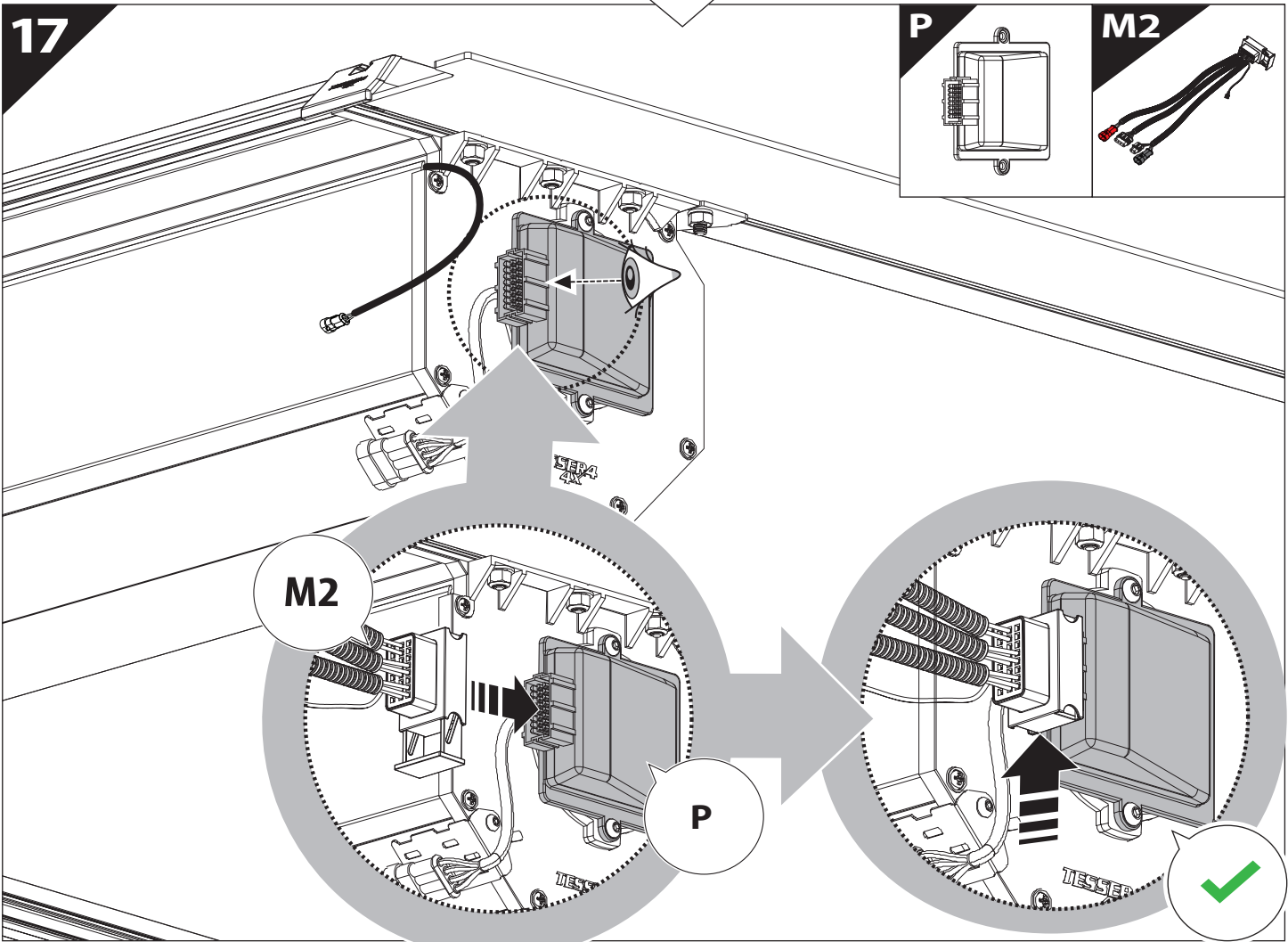
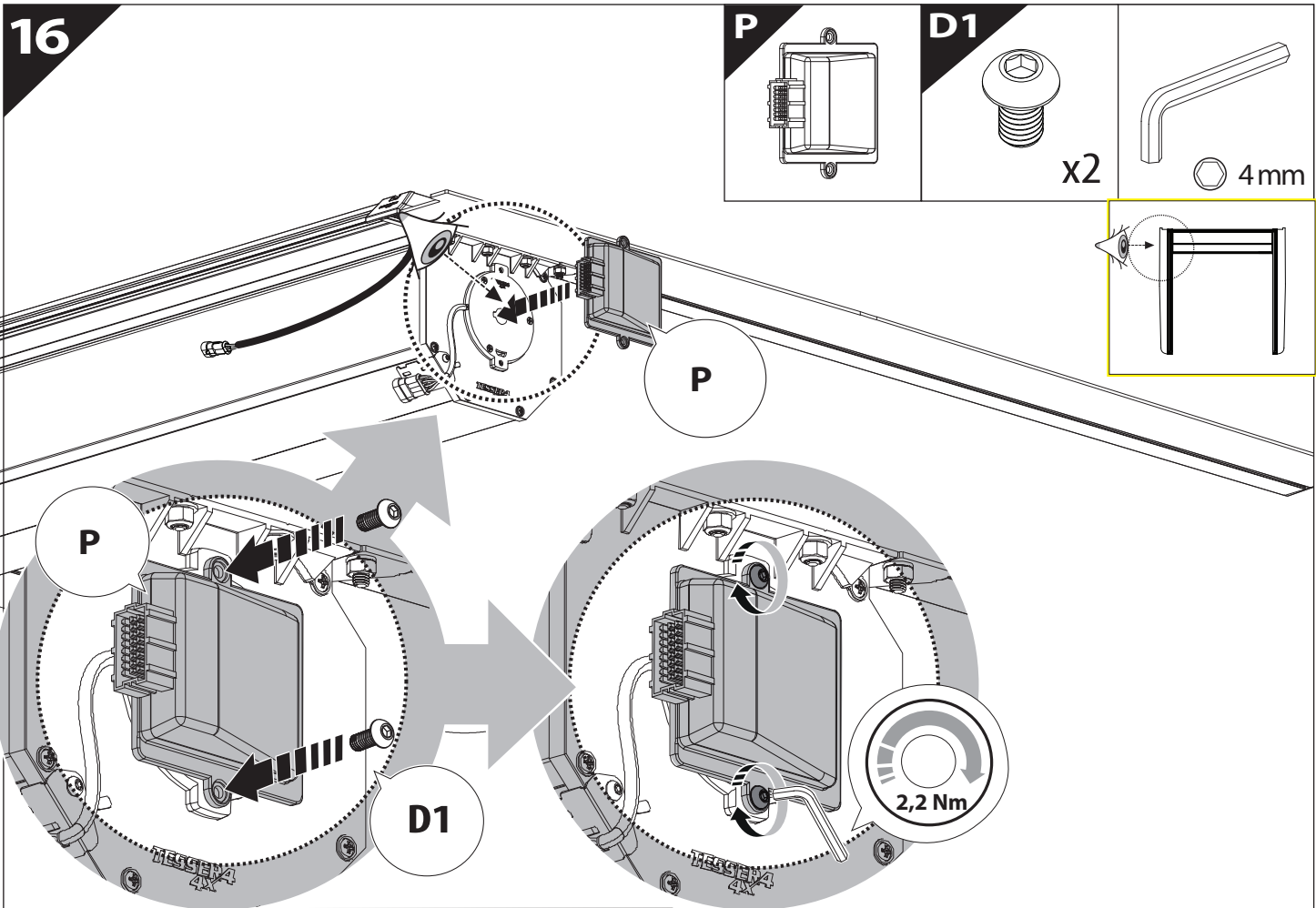


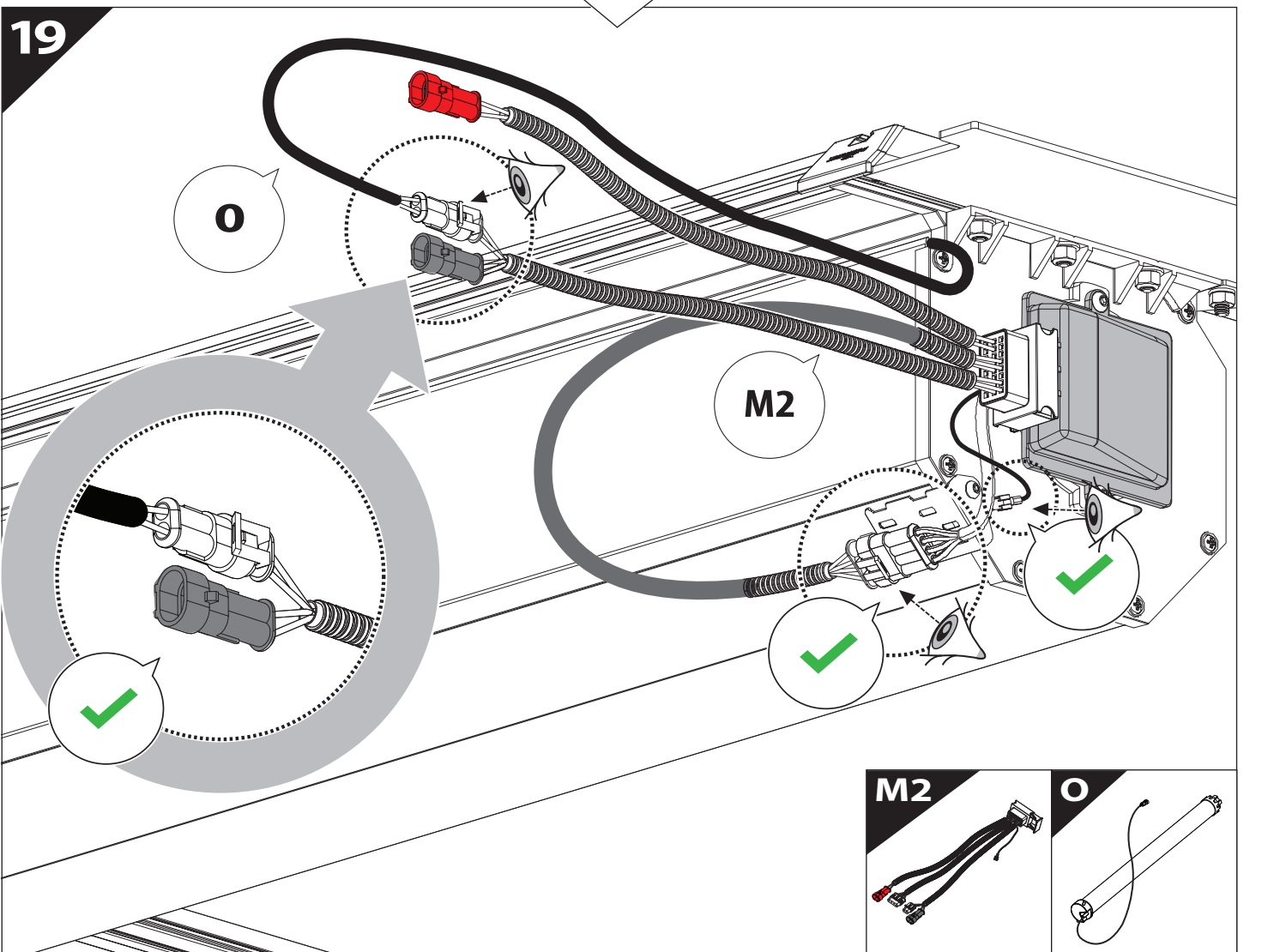
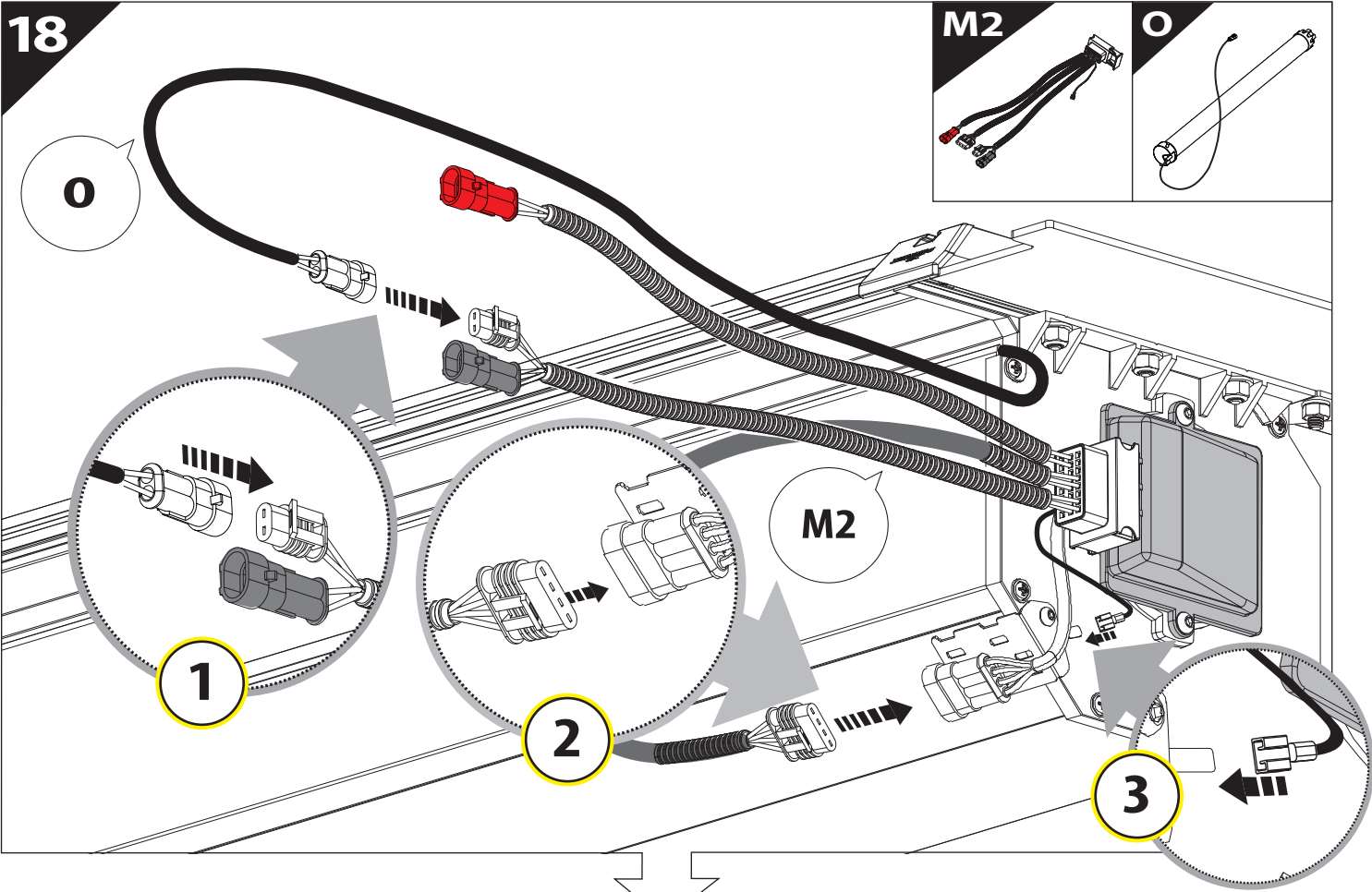
9





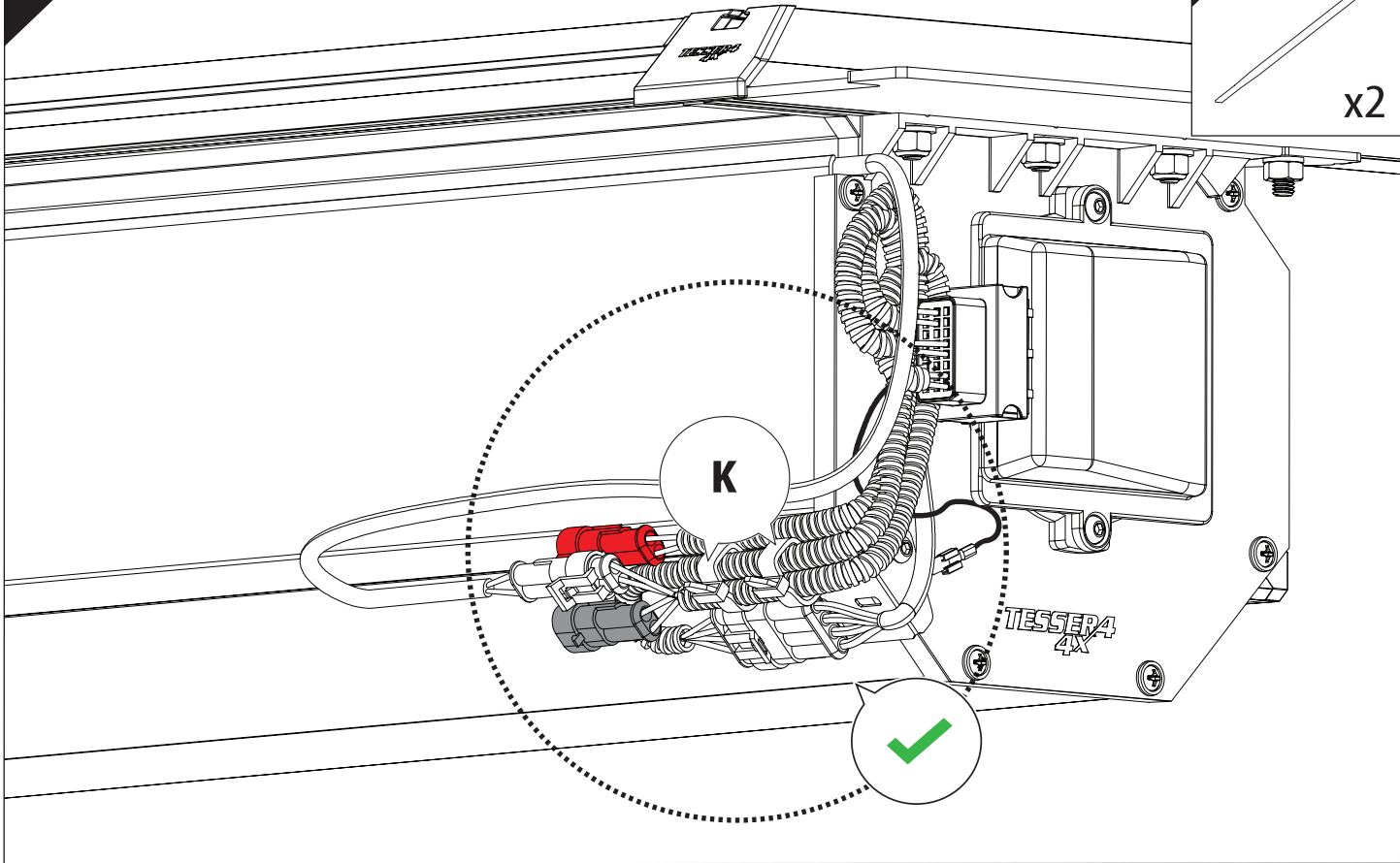
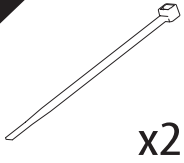




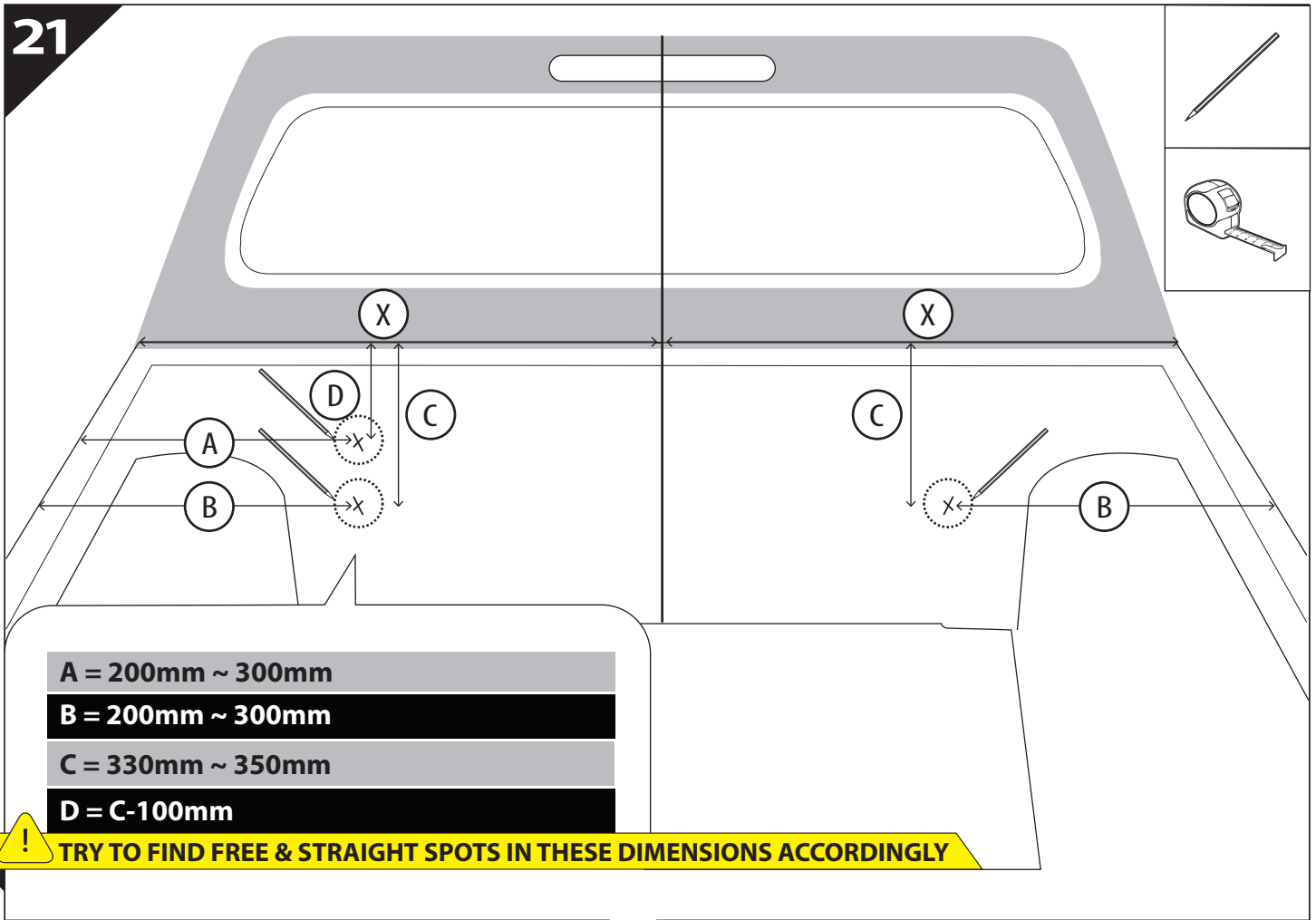


20

K



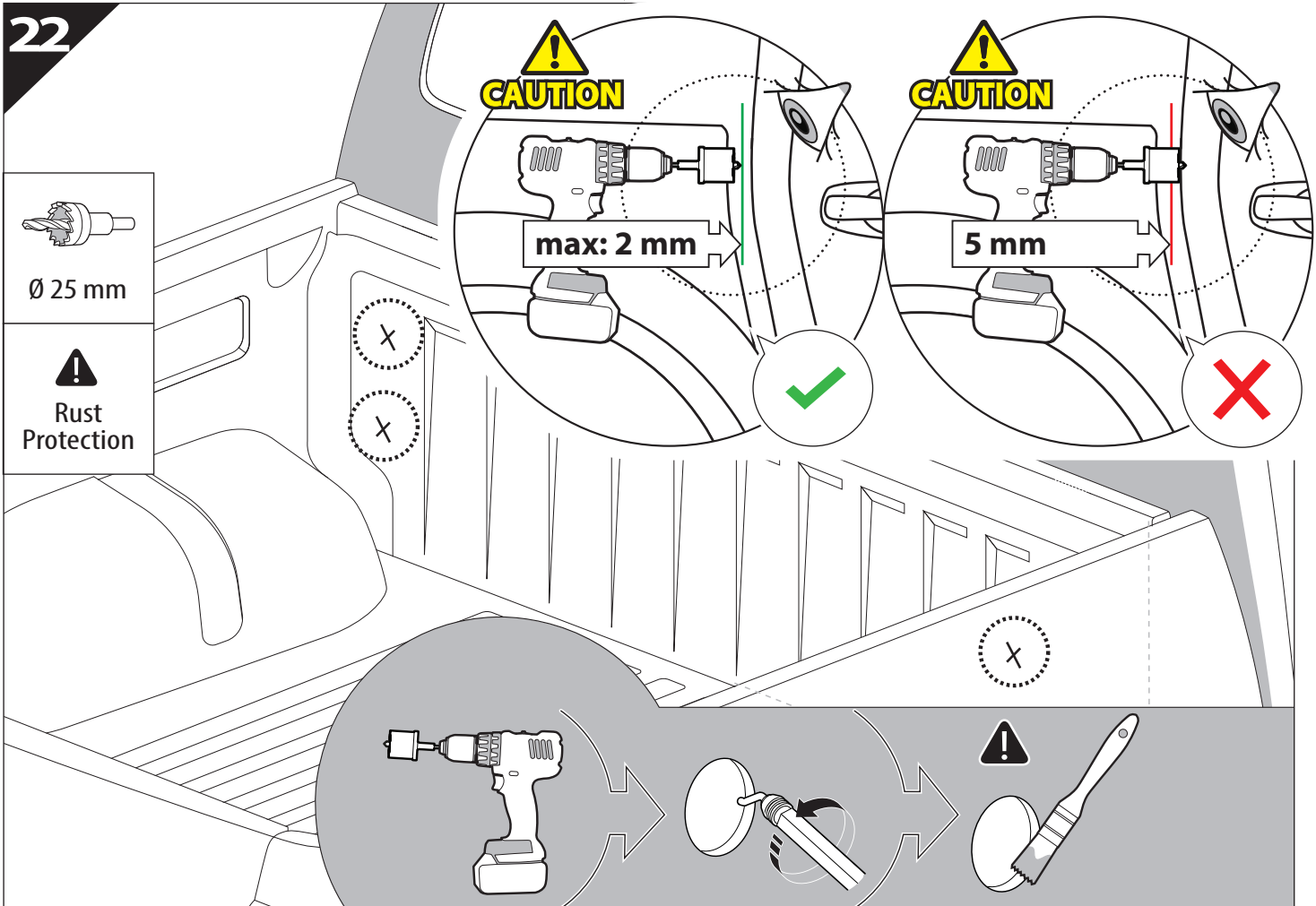
21

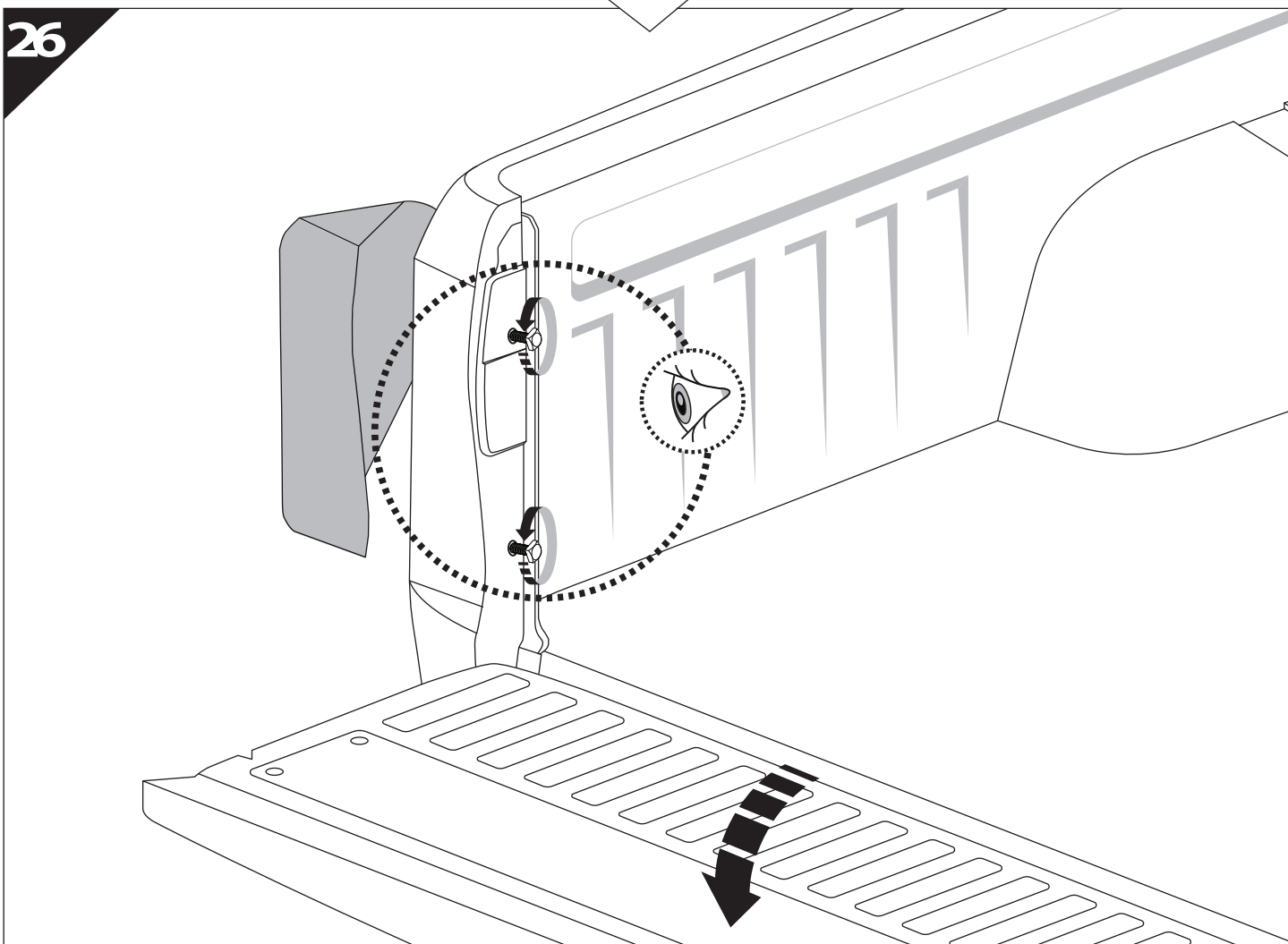
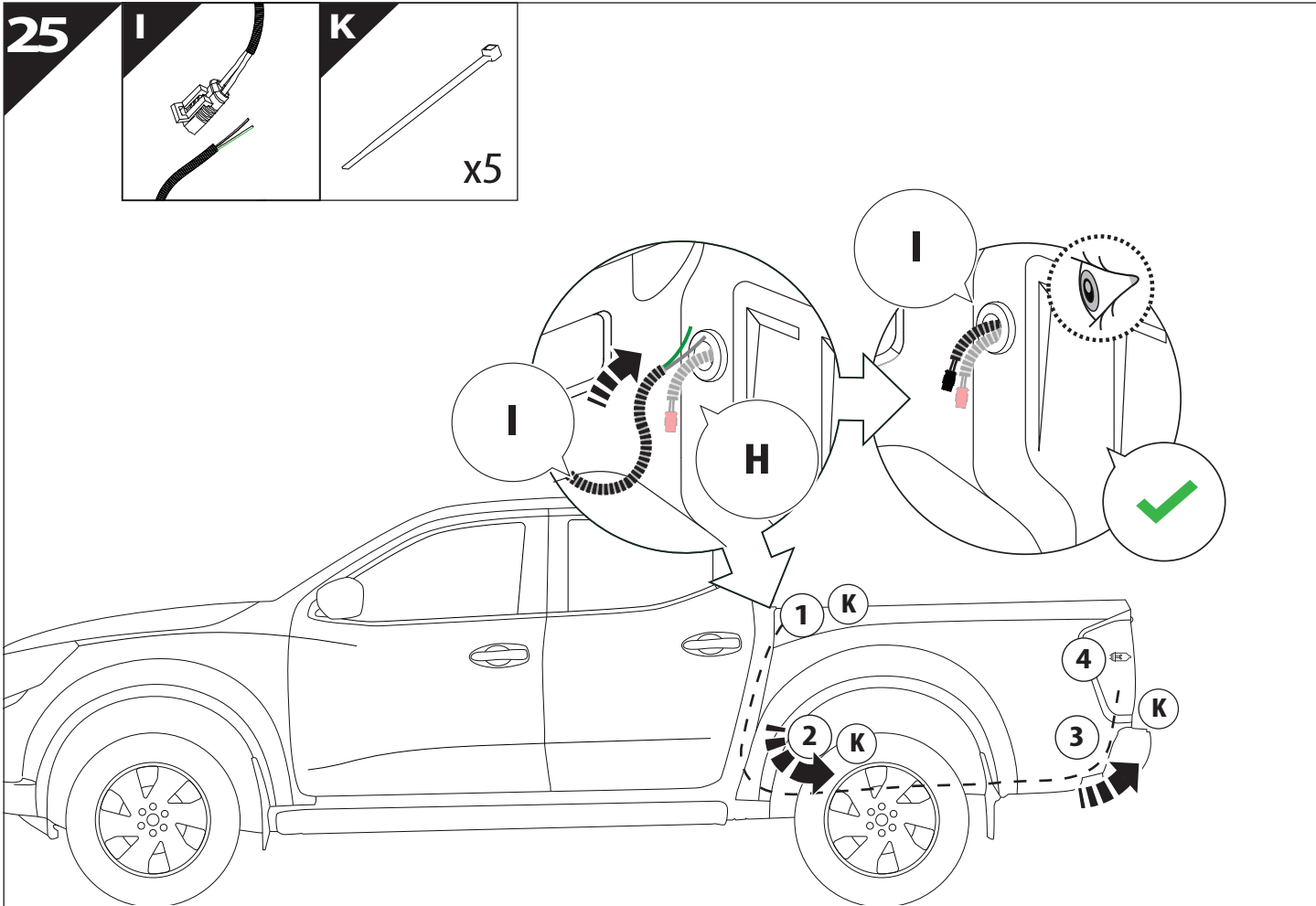


- A = 200mm ~ 300mm**
- B = 200mm ~ 300mm**
- C = 330mm ~ 350mm**
- D = C-100mm**

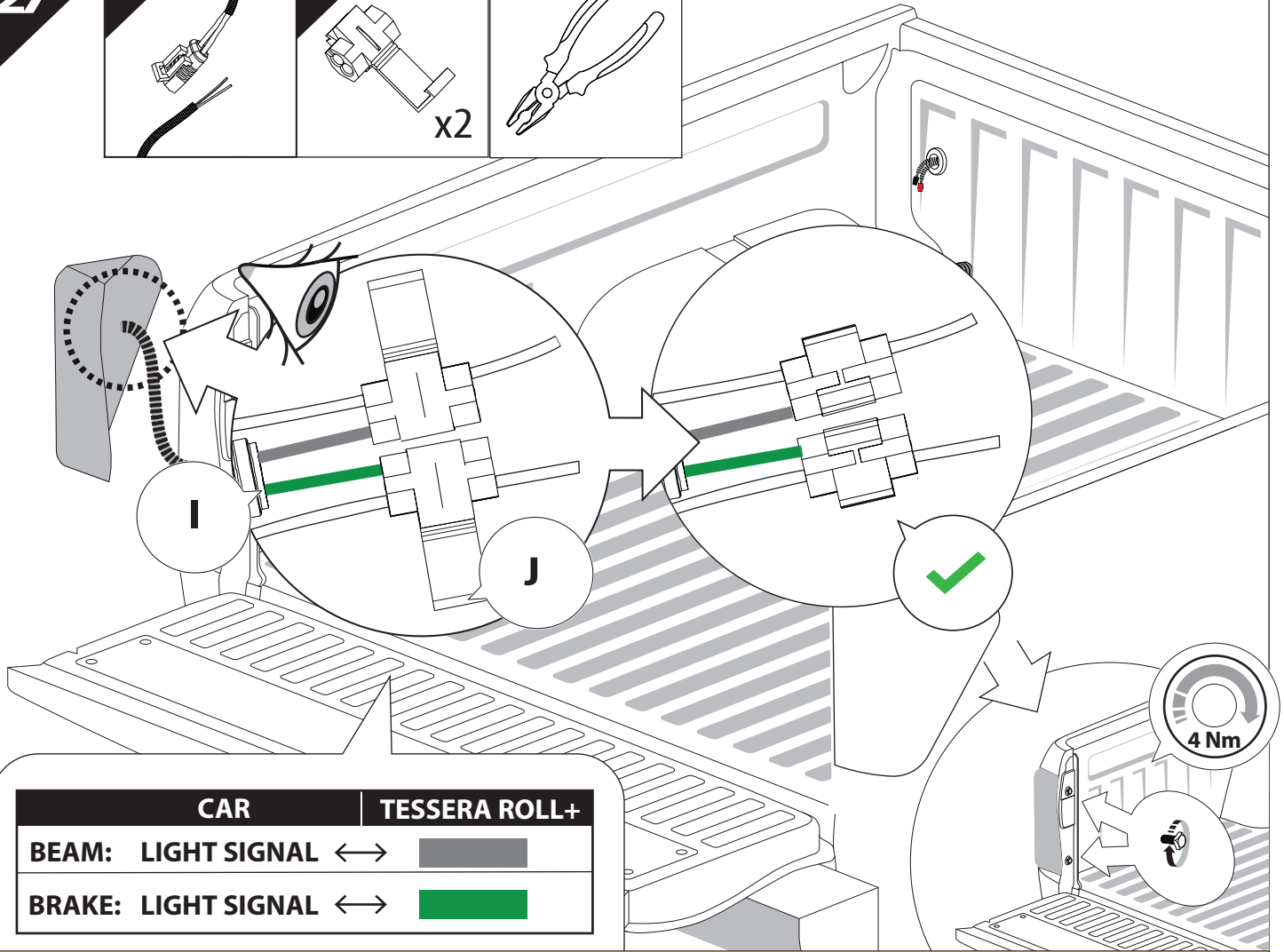
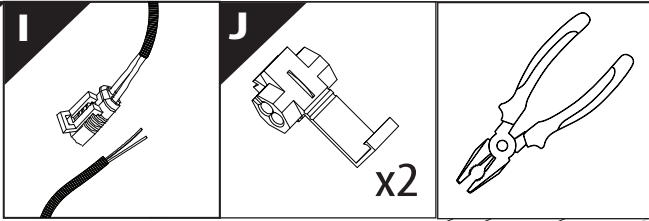
! TRY TO FIND FREE & STRAIGHT SPOTS IN THESE DIMENSIONS ACCORDINGLY

22





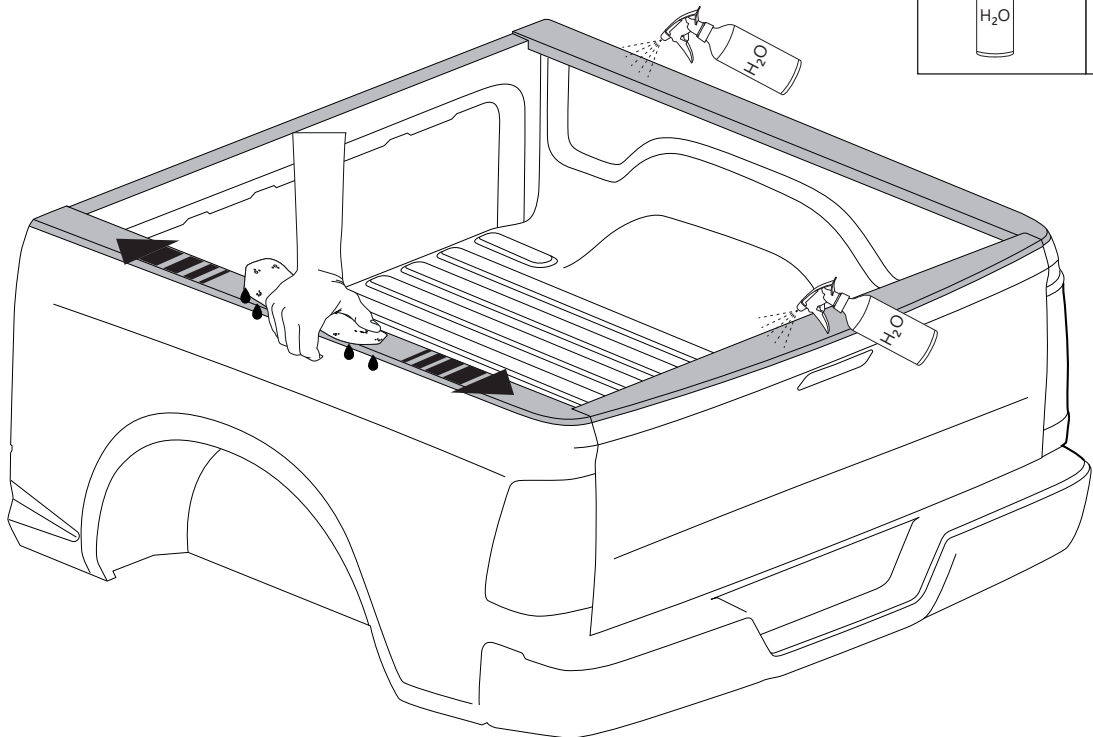
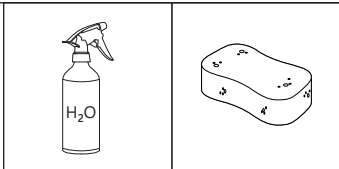
27

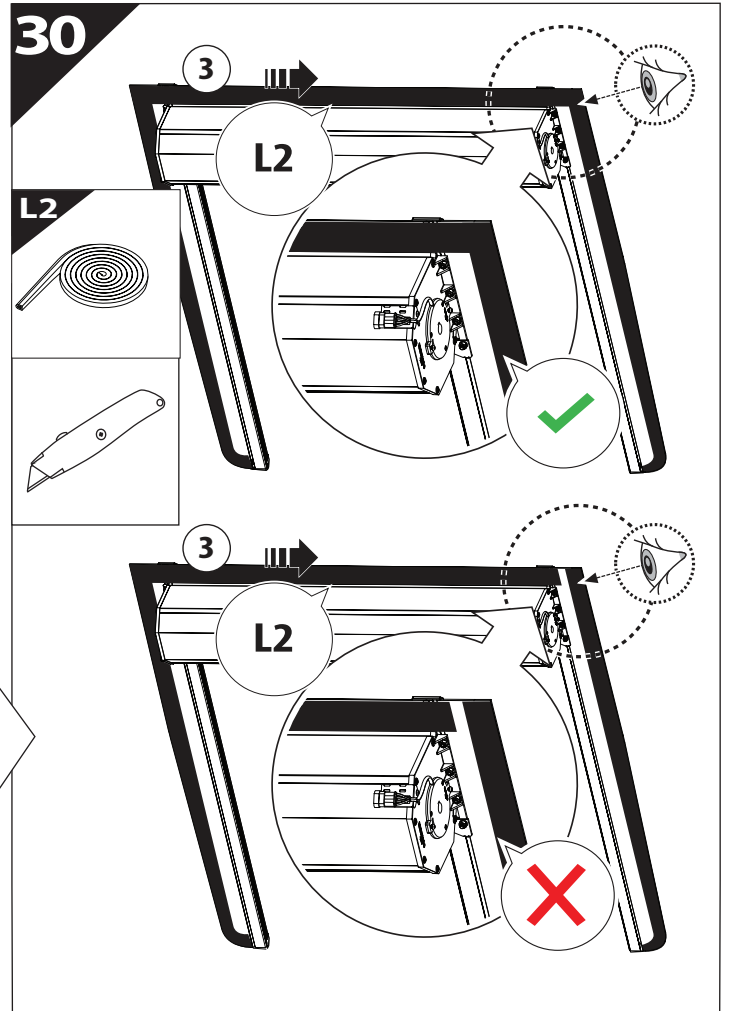
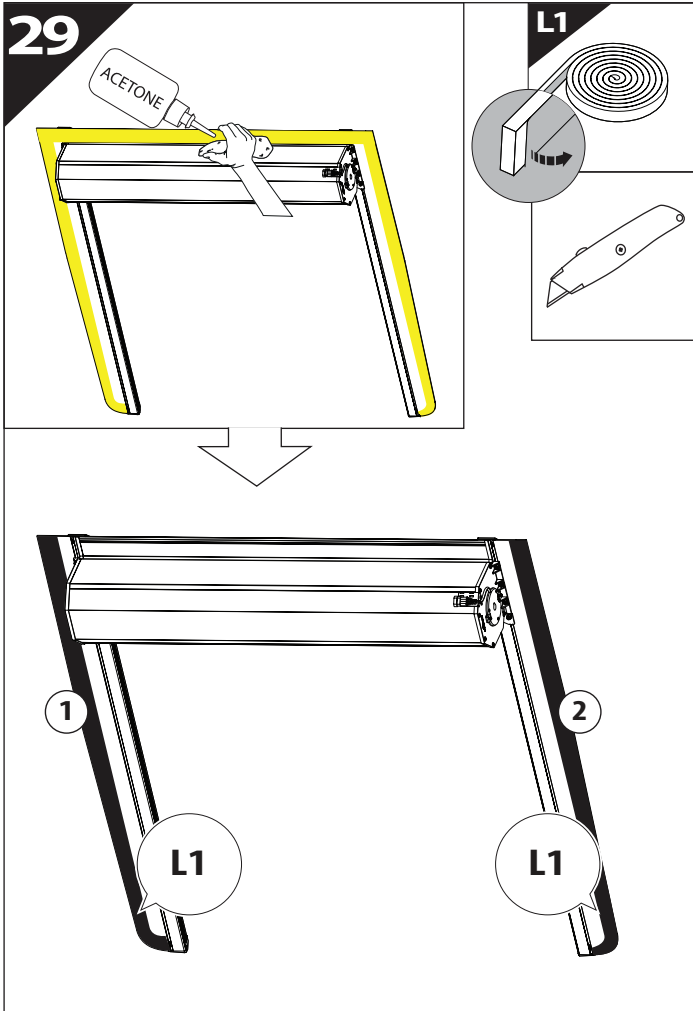


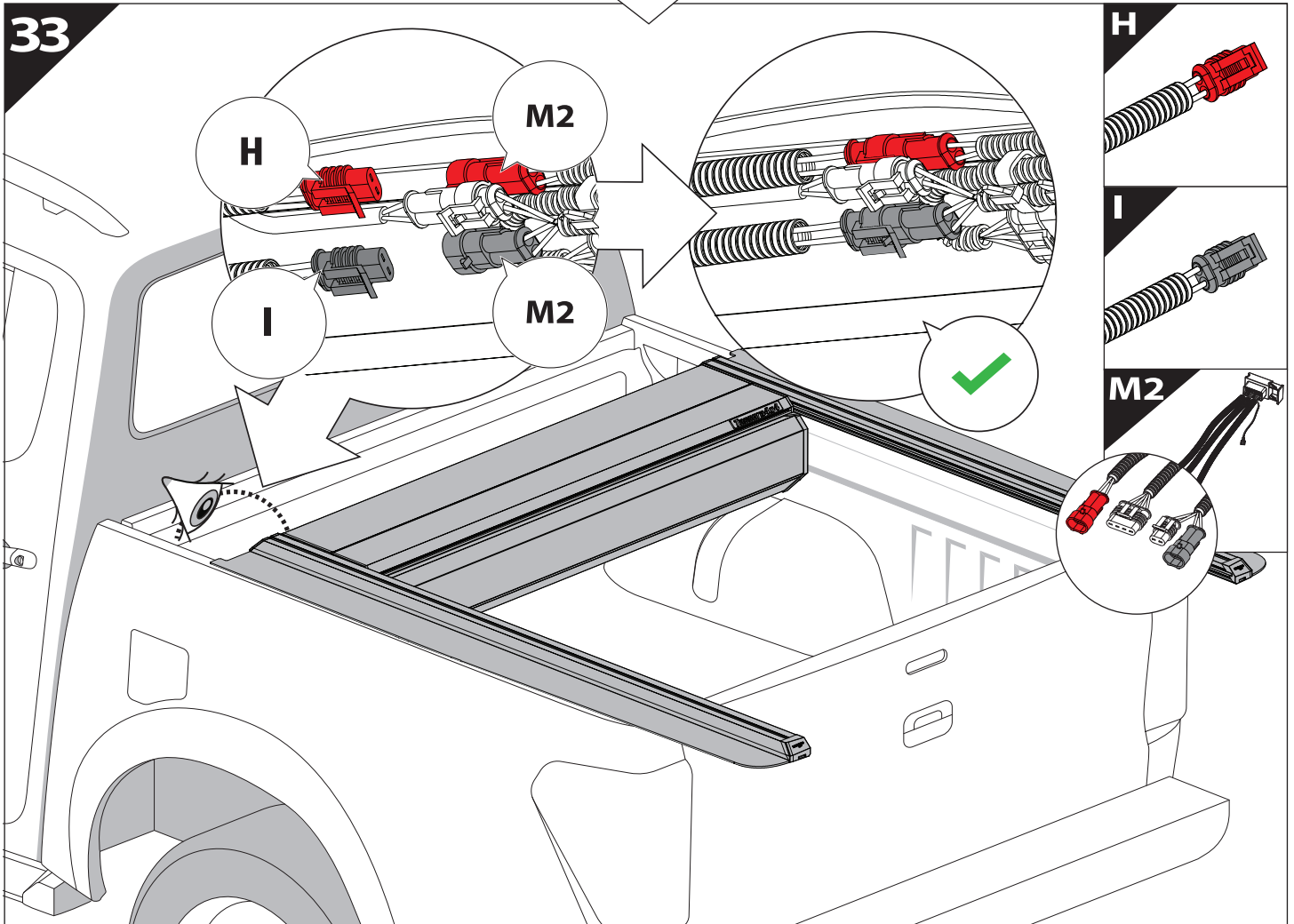
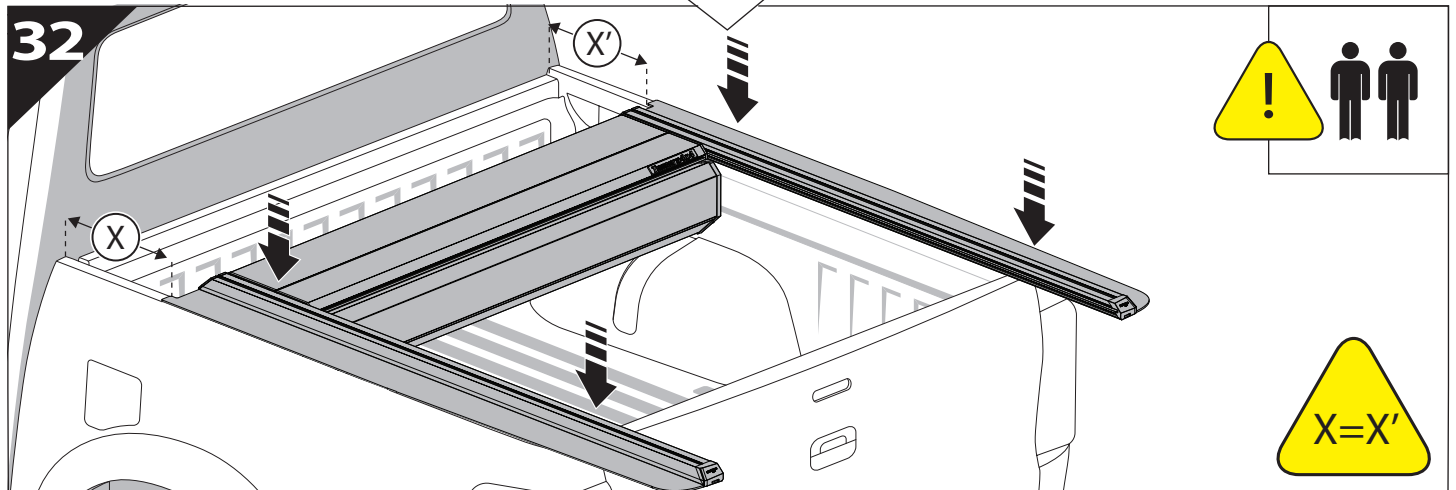
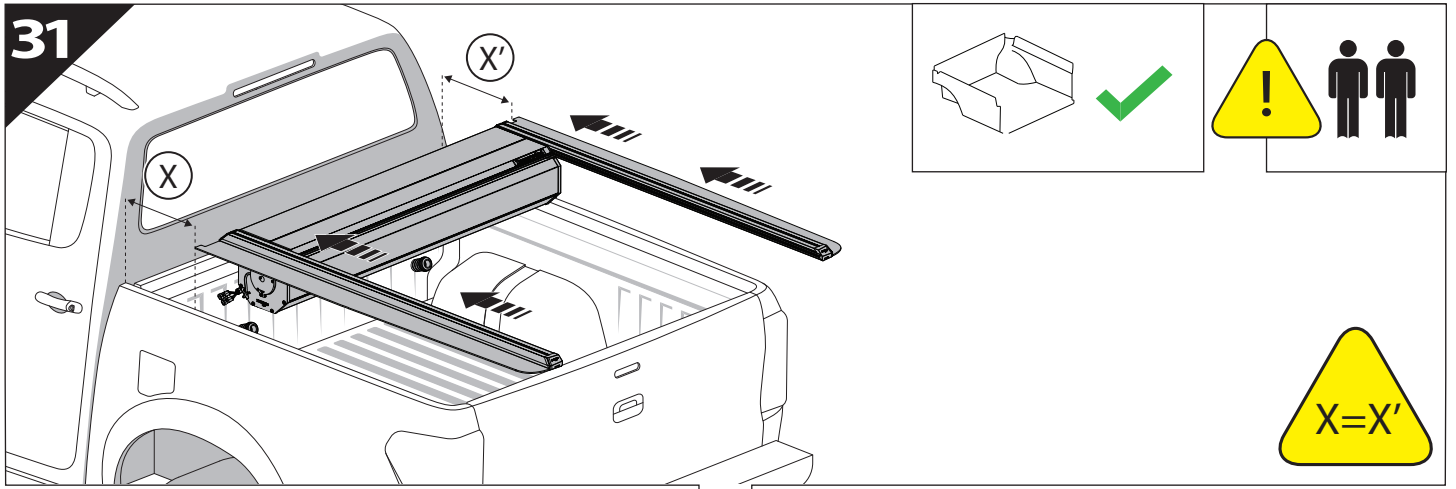
CAR	TESSERA ROLL+
BEAM: LIGHT SIGNAL ↔	
BRAKE: LIGHT SIGNAL ↔	

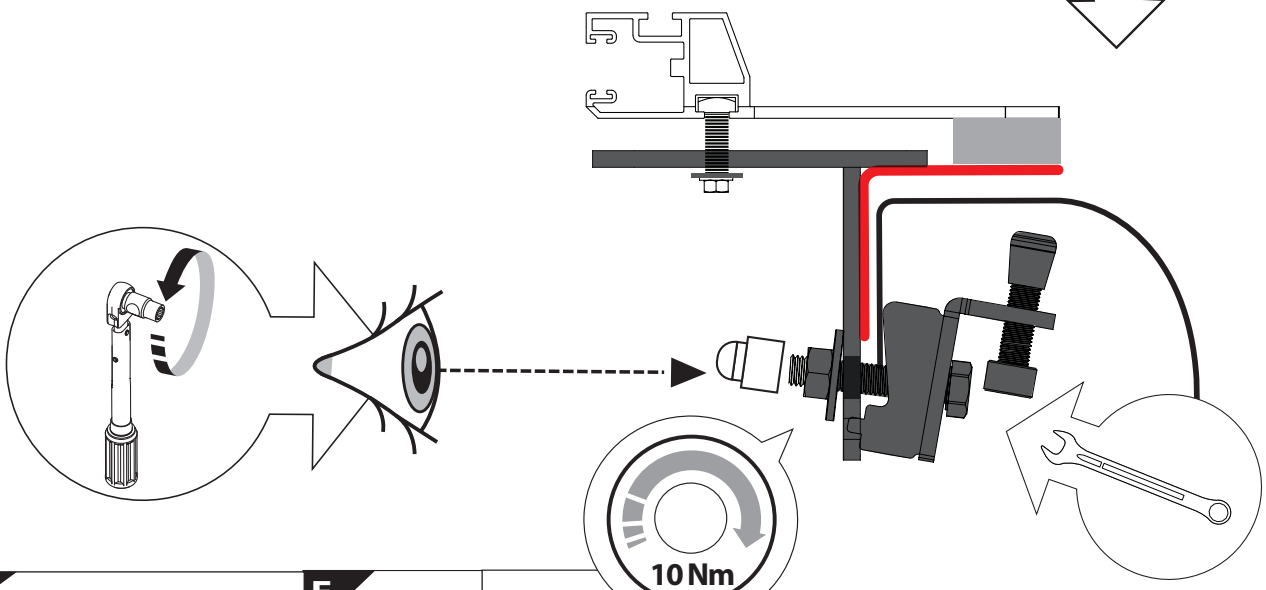
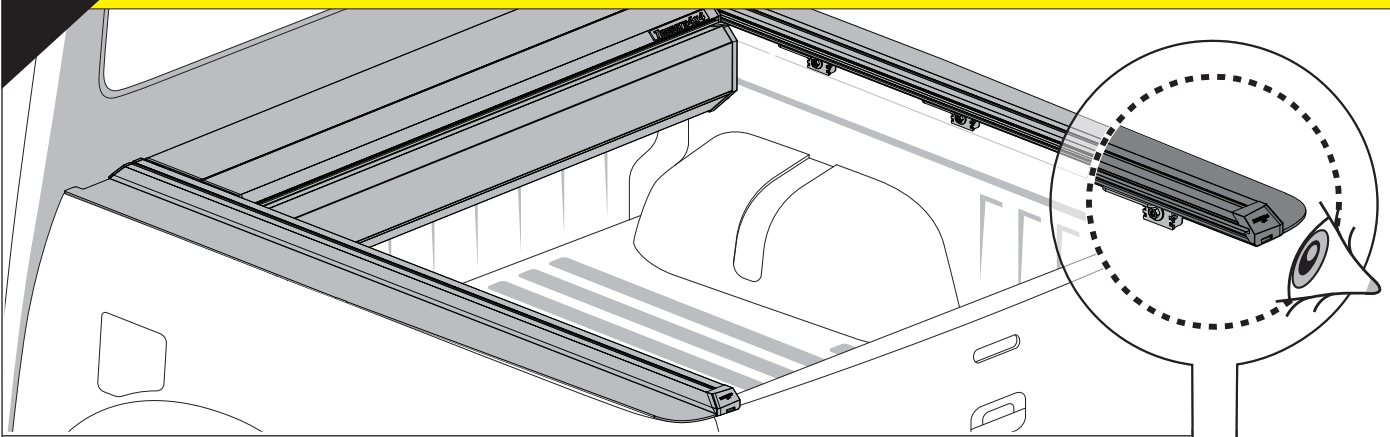
CAUTION: CONSULT A CERTIFIED AUTO MECHANIC OR AUTOMOTIVE ELECTRICIAN TO IDENTIFY THE CORRECT WIRING CABLES FOR BEAM AND BRAKE SIGNALS BEFORE MAKING ANY CONNECTIONS.

28



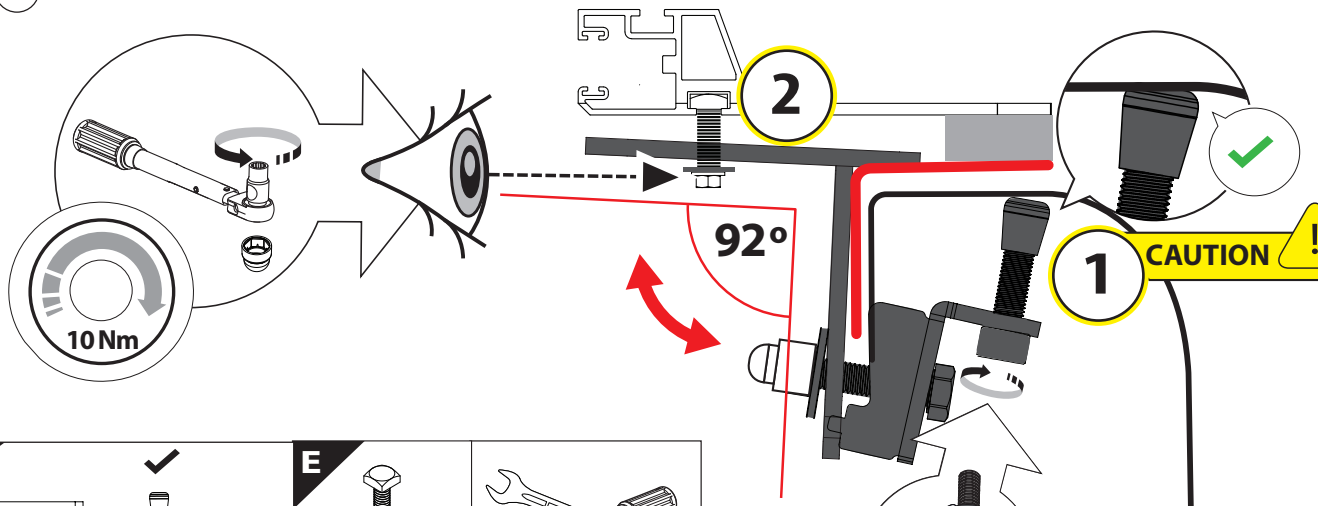




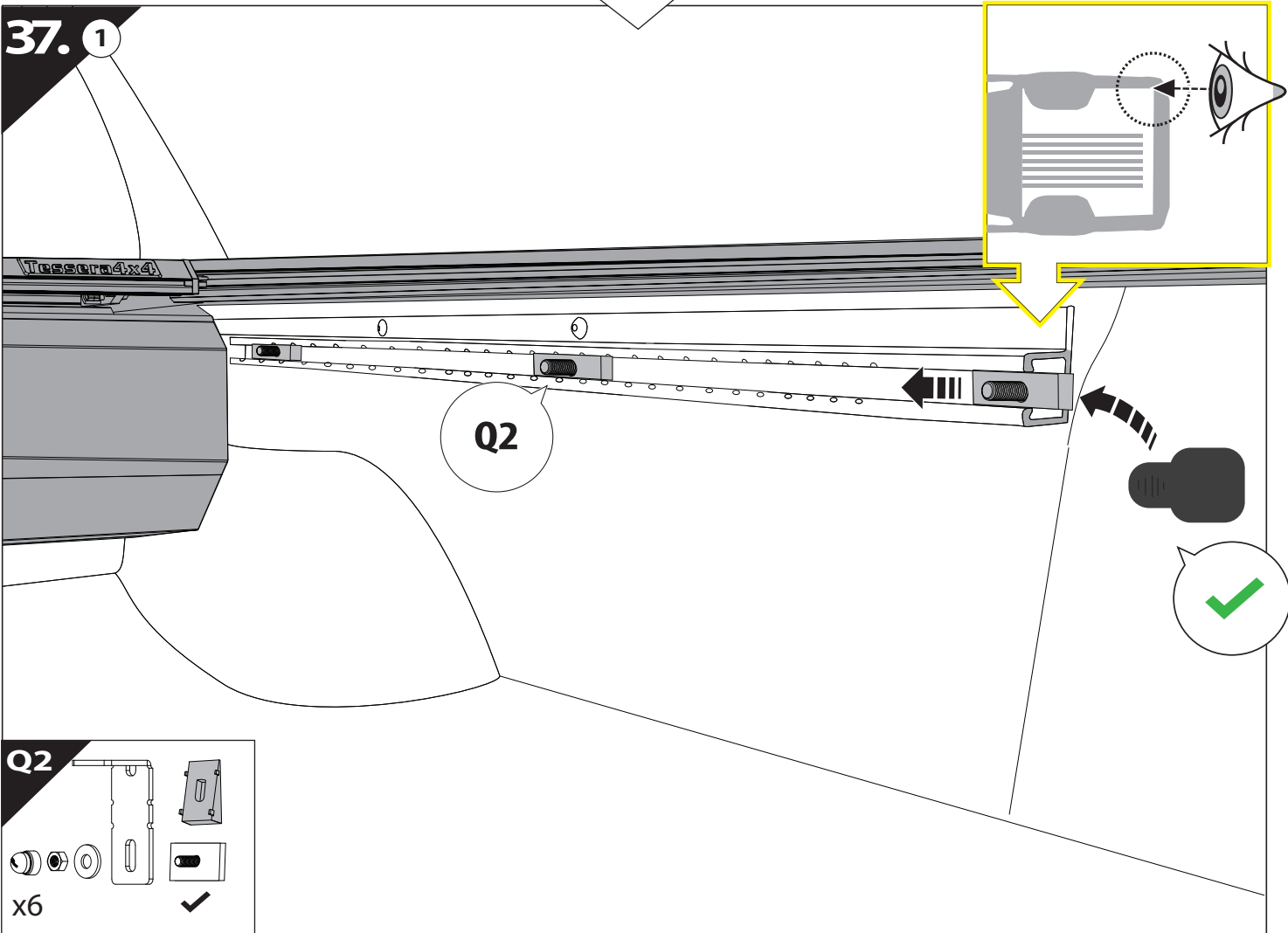
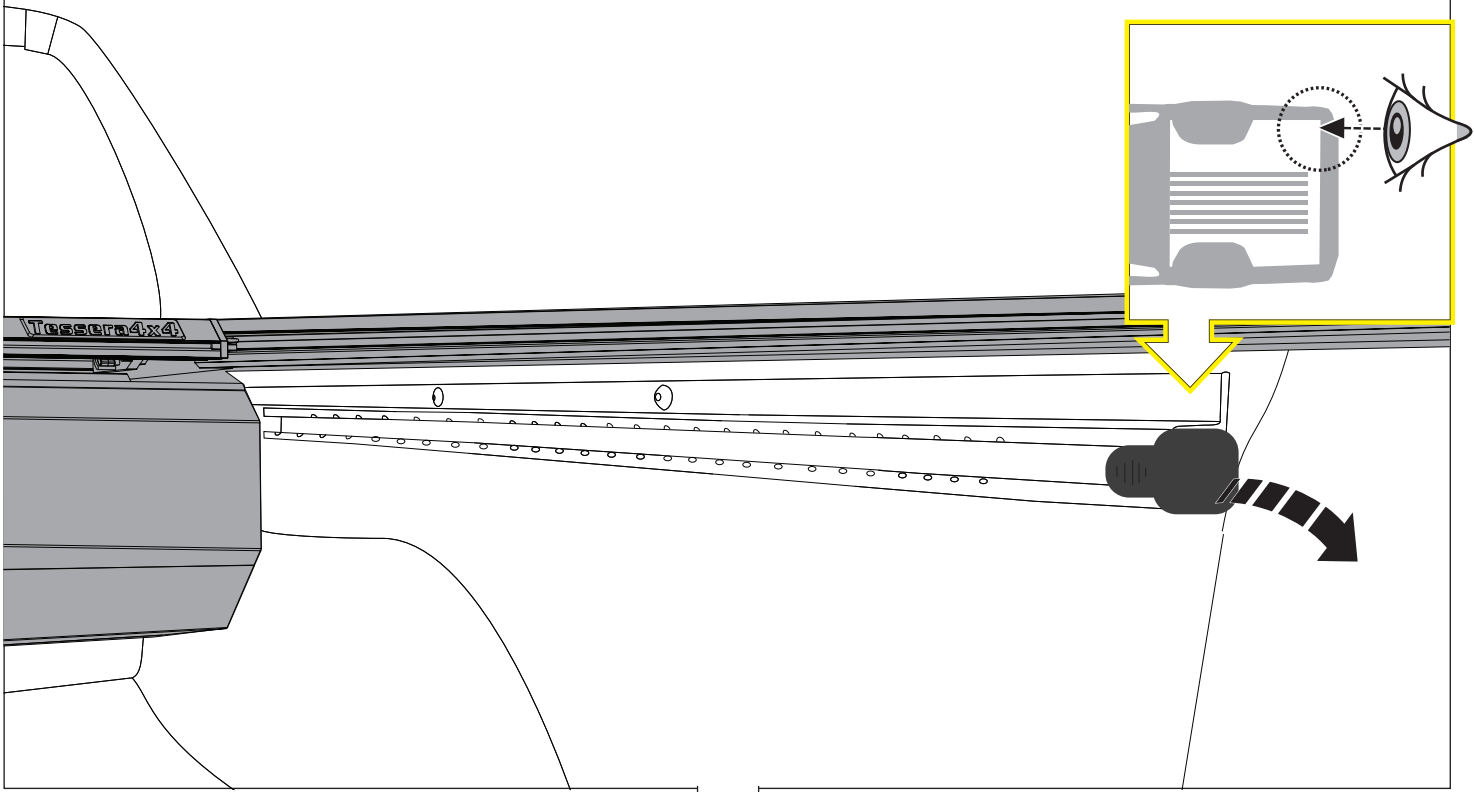


<p>Q1</p> <p>x6</p>	<p>E</p> <p>x6</p>	<p>13 mm</p>
----------------------------	---------------------------	--------------

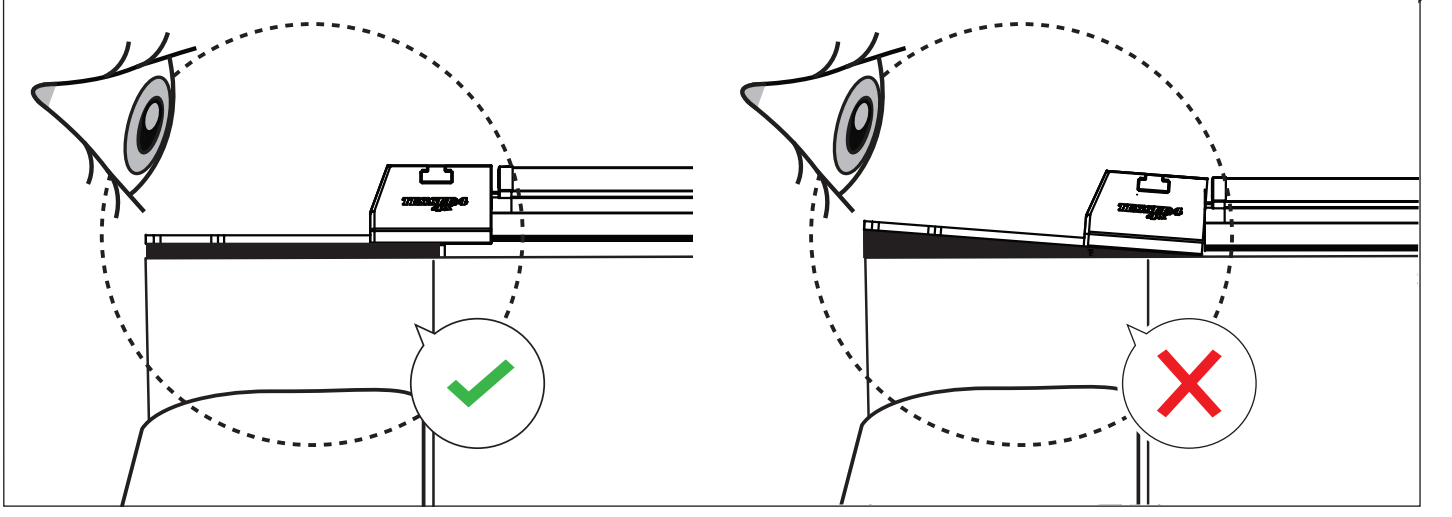
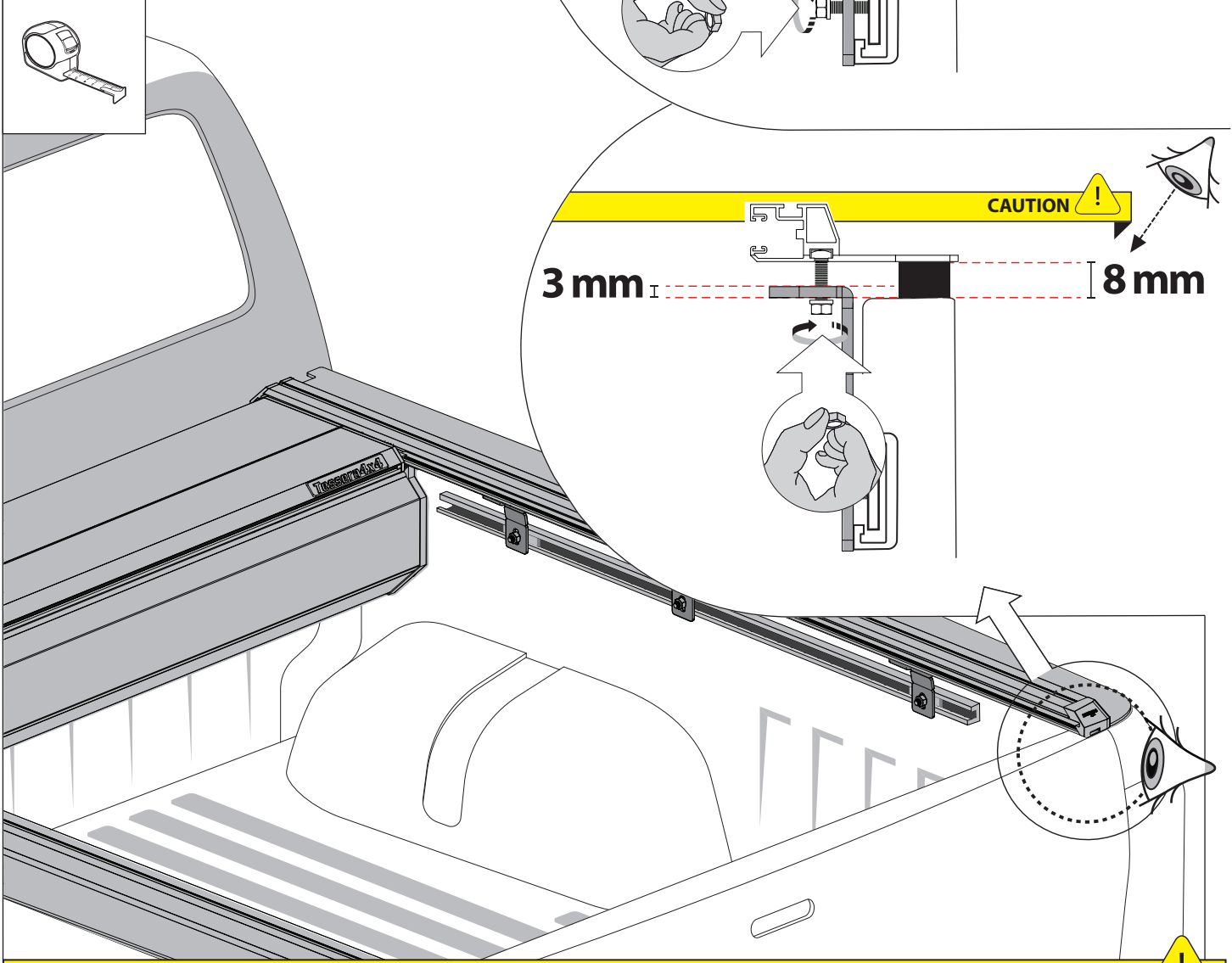
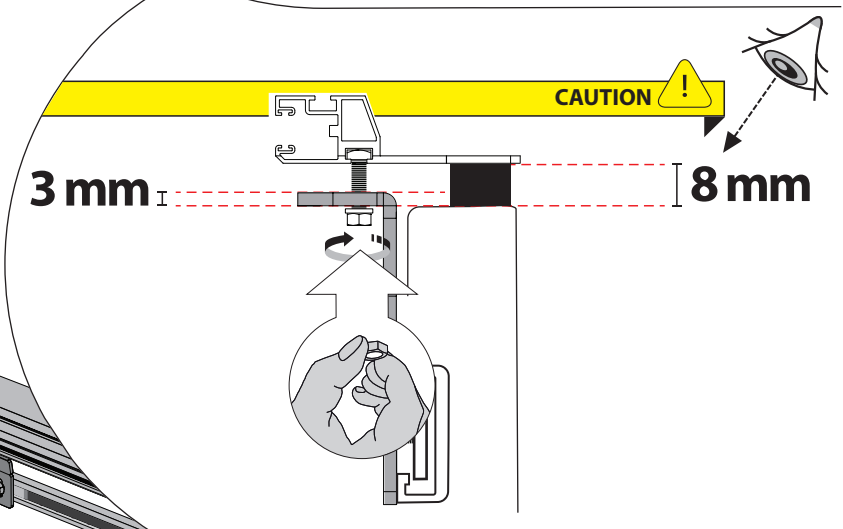
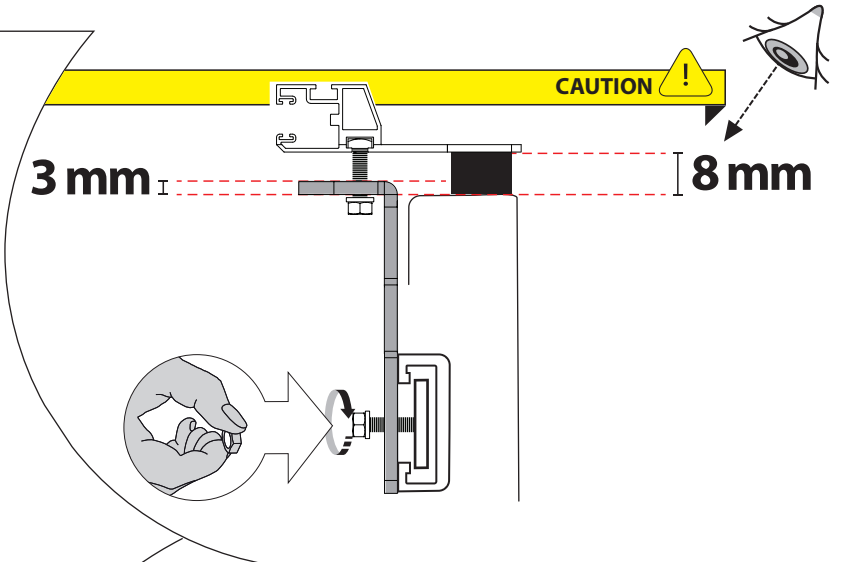
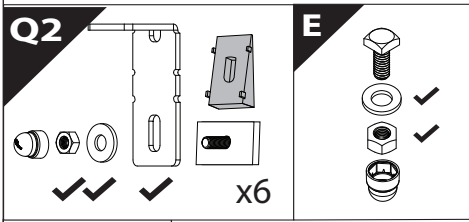
37.1



<p>Q1</p> <p>x6</p>	<p>E</p> <p>x6</p>	<p>13 mm</p>
----------------------------	---------------------------	--------------

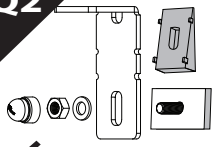


37.2

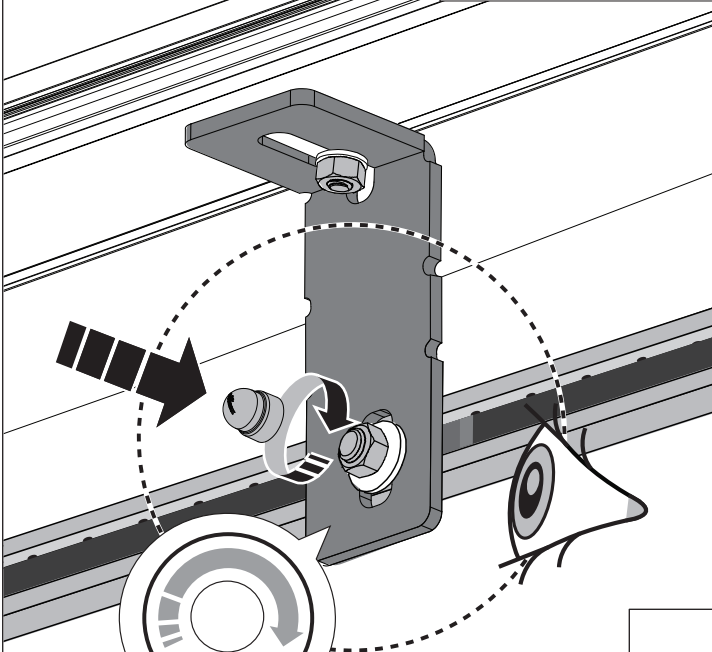


37.3

Q2

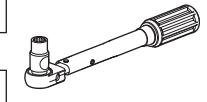


x6



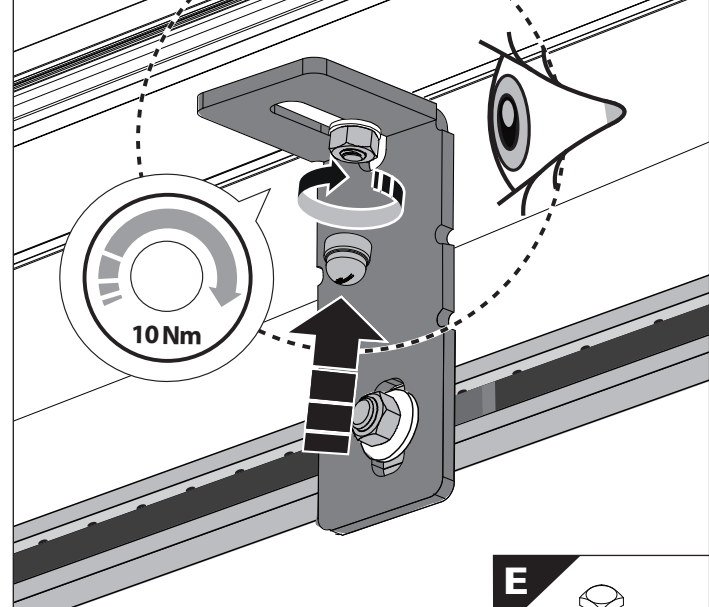
12 Nm

17 mm



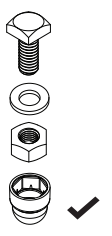
13 mm

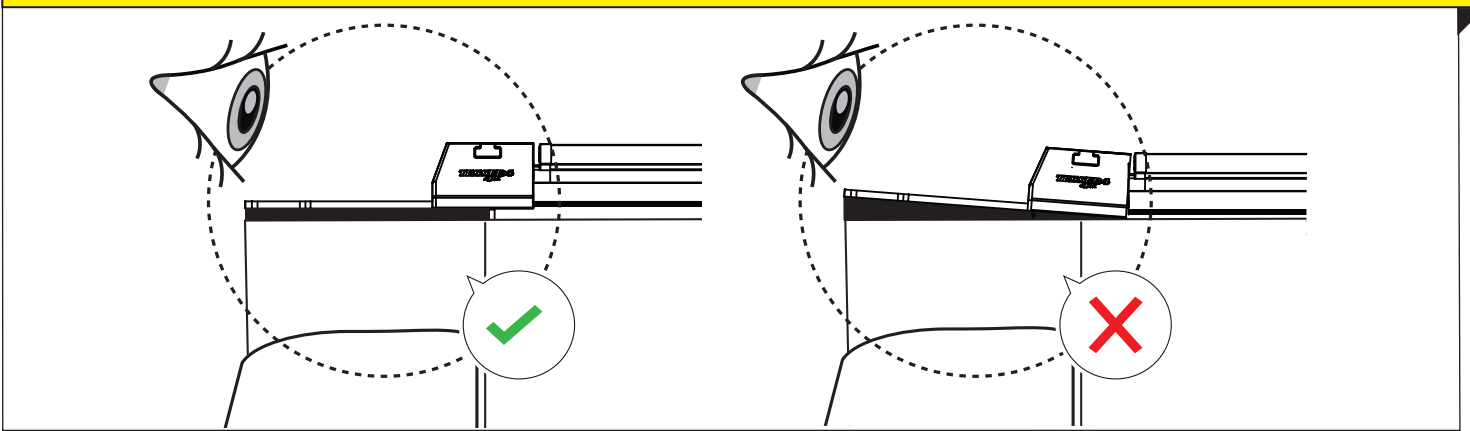
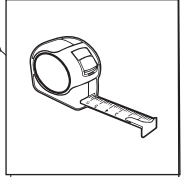
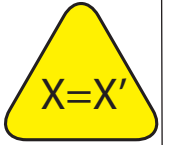
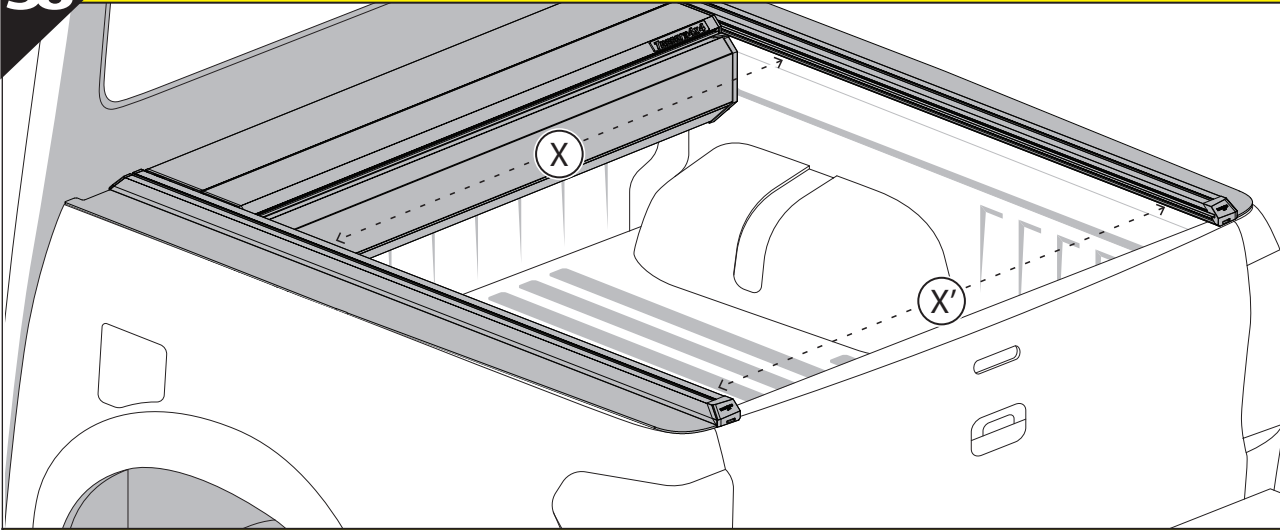
37.4

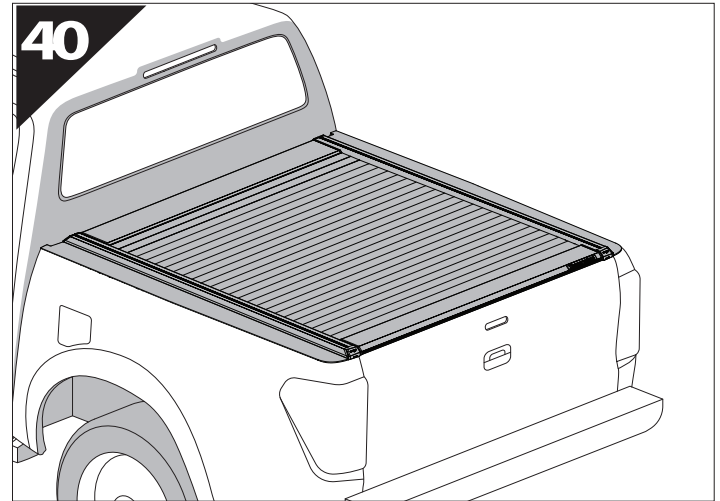
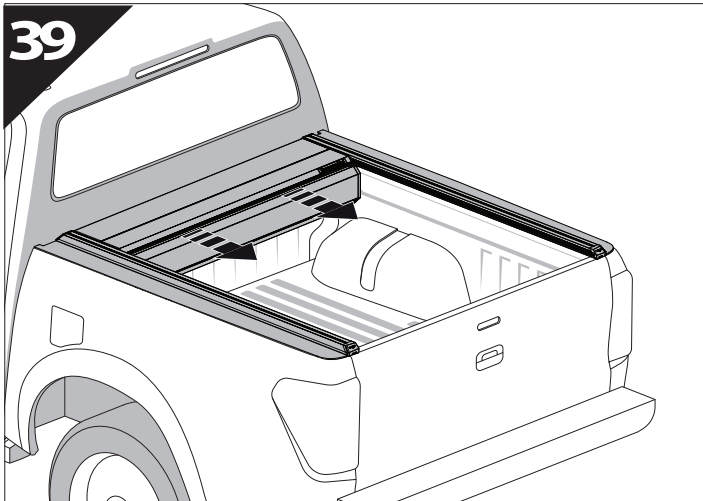


10 Nm

E







GR: Οδηγίες Εγκατάστασης
GB: Installation manual
SF: Asennusohje
F: Notice de montage
PL: Instrukcja montażu
NL: Installatie-instructies
TR: Montaj Talimatı
S: Monteringsanvisning
E: Instrucciones de montaje

H: Szerelési utasítás
P: Instruções de instalação
RUS: Инструкция по установке
N: Monteringsveiledning
D: Einbauanleitung
CZ: Návod k instalaci
I: Istruzioni de montaggio
DK: Monteringsvejledning
RO: Instructiuni de instalare

Customer Service:

+30 (210) 5541161, +30 (210) 5541154 (08:00 - 16:00 EET)

Support department:

info@gianso.gr

Website:

www.tessera4x4.com

Address:

19.5 km of National road Athens-Korinthos (Elefsina) Greece, P.C: 19200