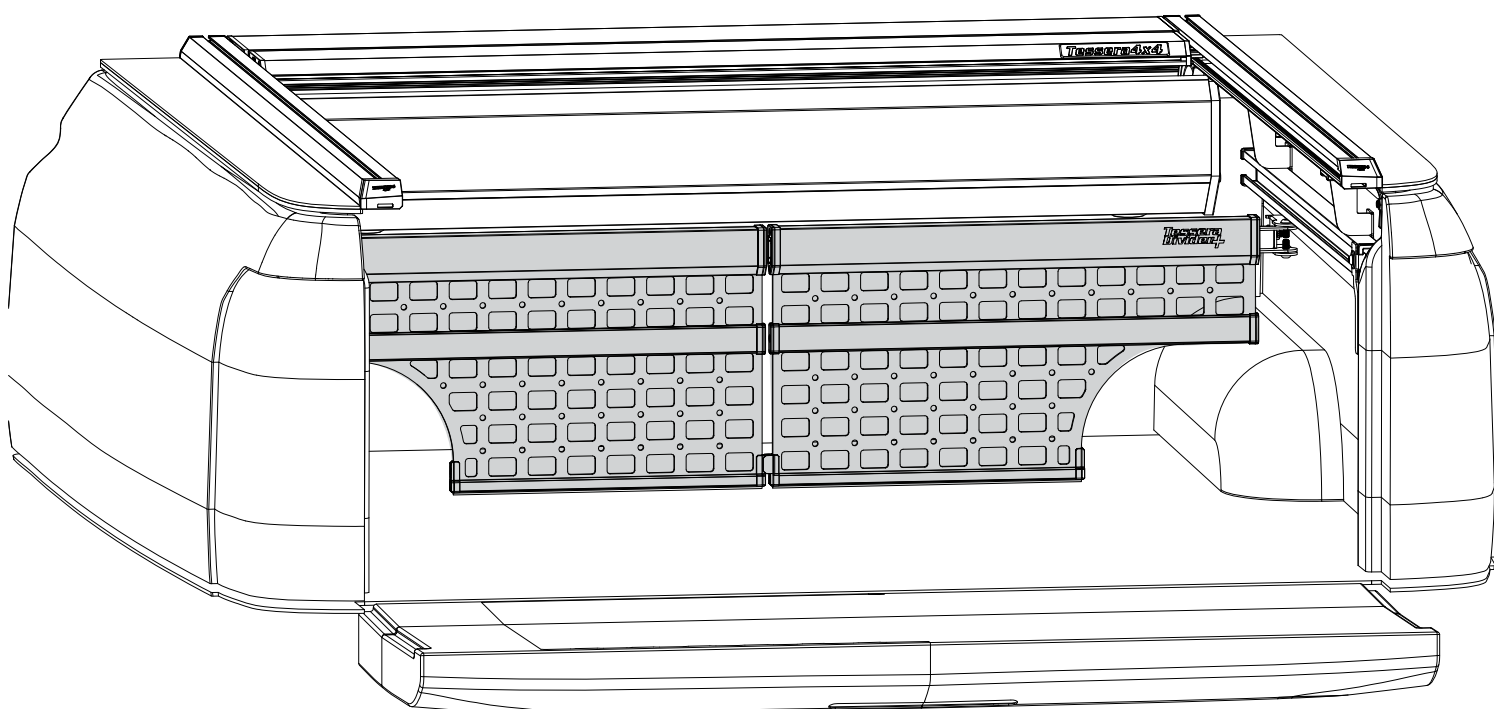


Tessera Divider+



Installation Manual

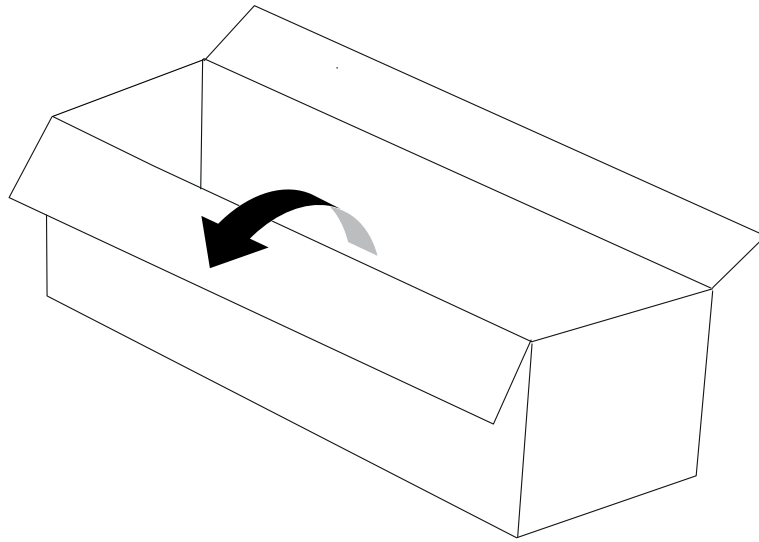
PART NUMBER(S)

DIV 001

Installation Time / Weight

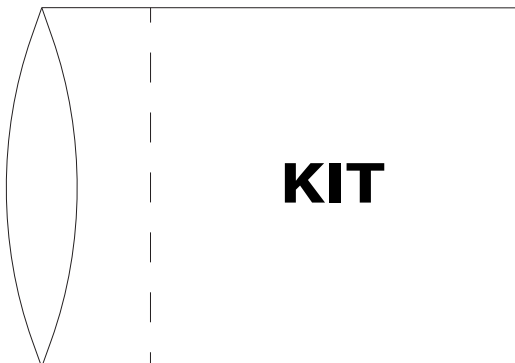
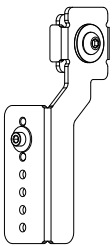
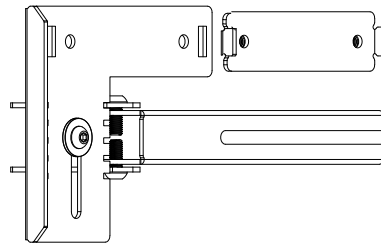
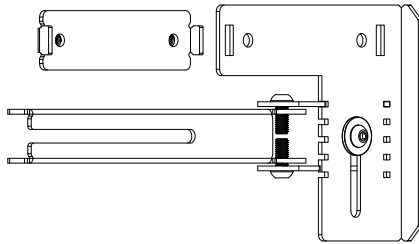
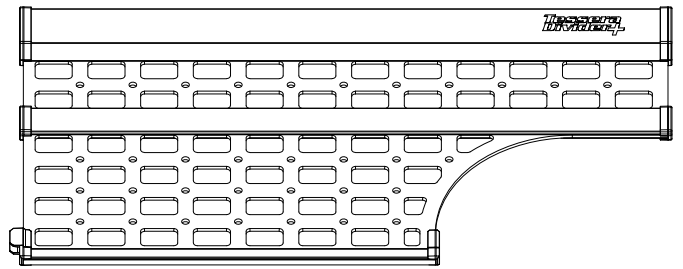
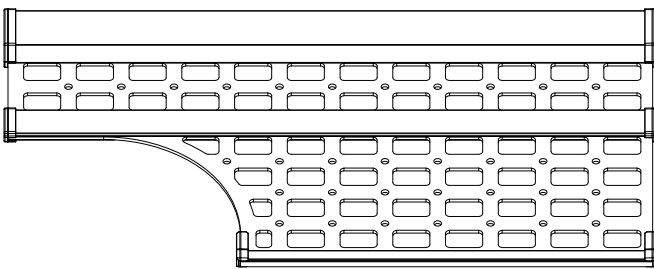
15 - 30 minutes

Ver.: 1.6

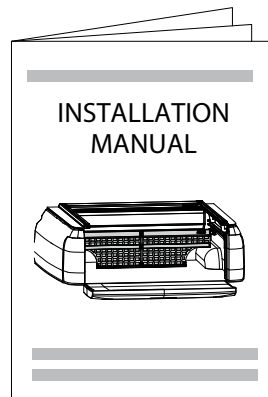


L

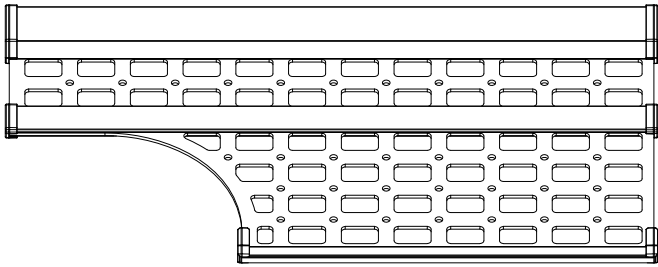
R



KIT

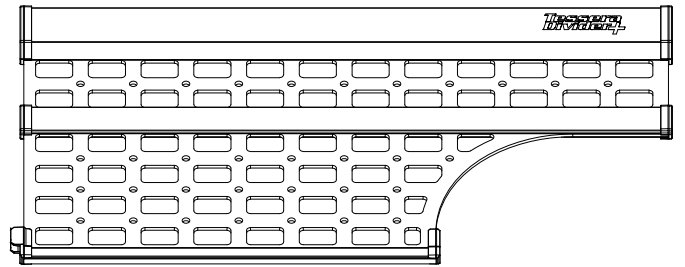


A1



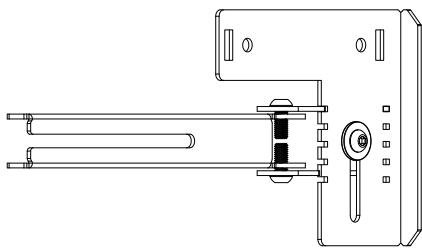
L

A2



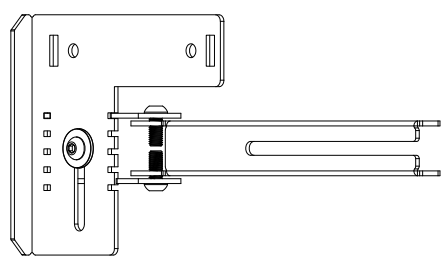
R

B1



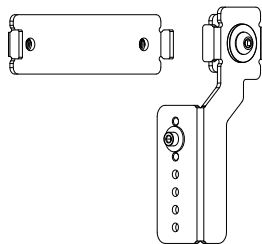
L

B2



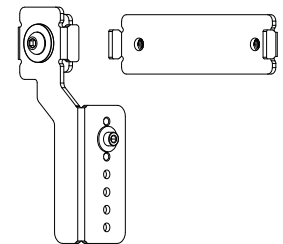
R

C1



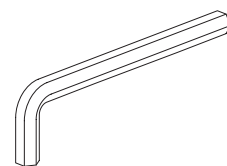
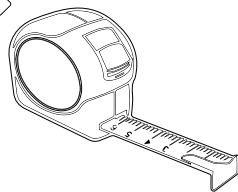
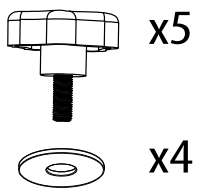
L

C2



R

D

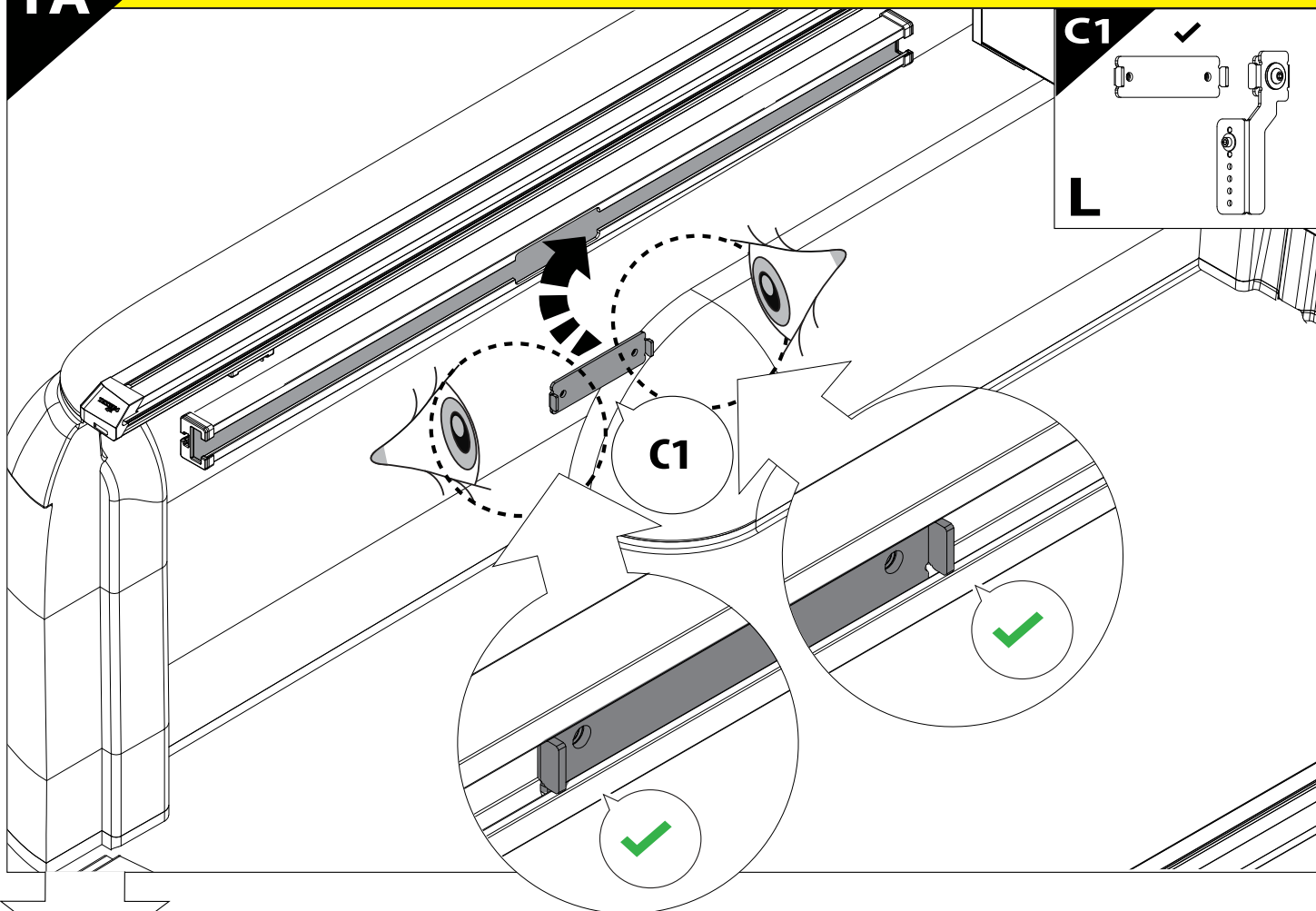


○ 4mm, 5mm

1A



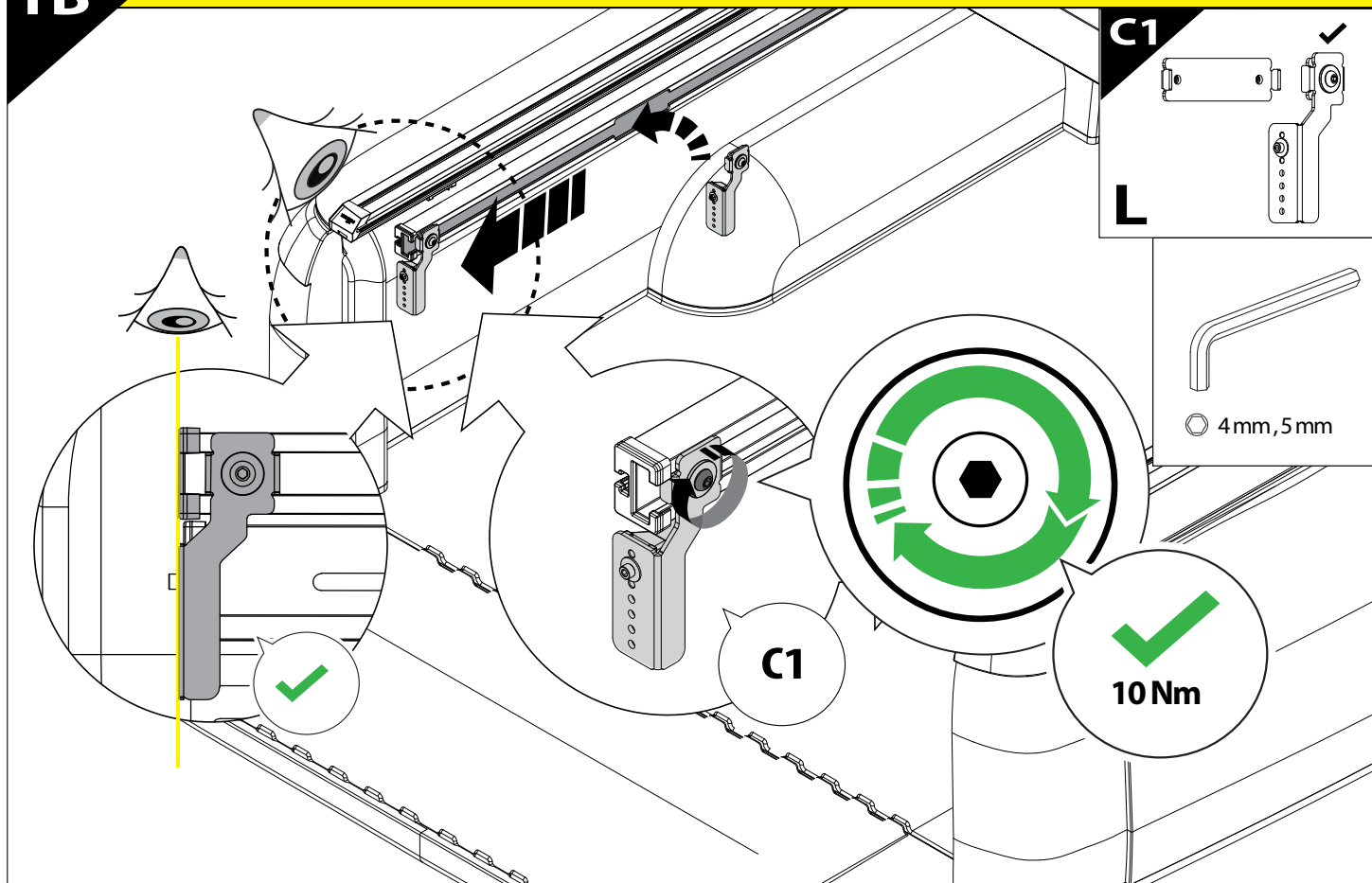
FORD RANGER P 703 / VW AMAROK 2023+ WITH OEM C-CHANNELS



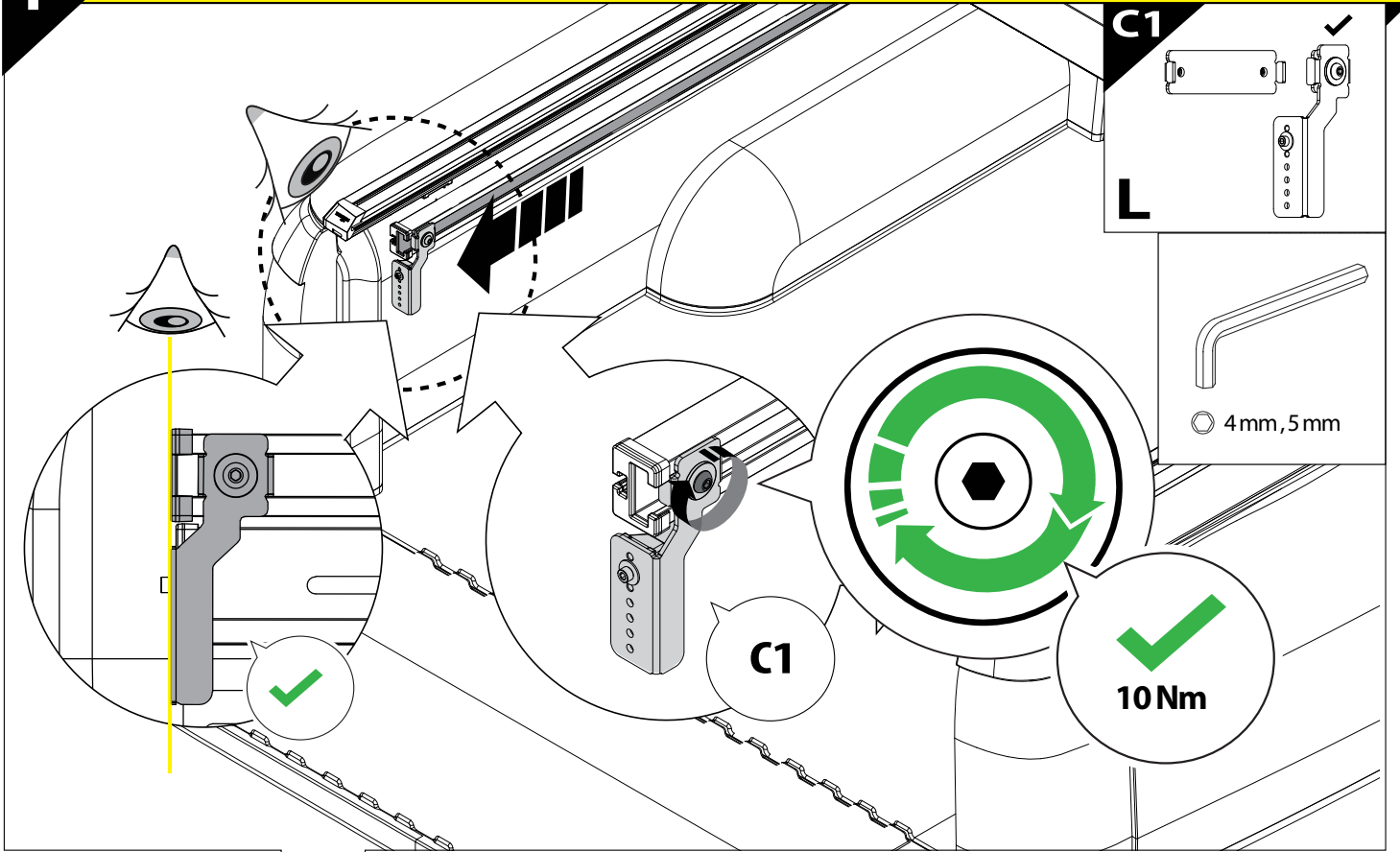
1B



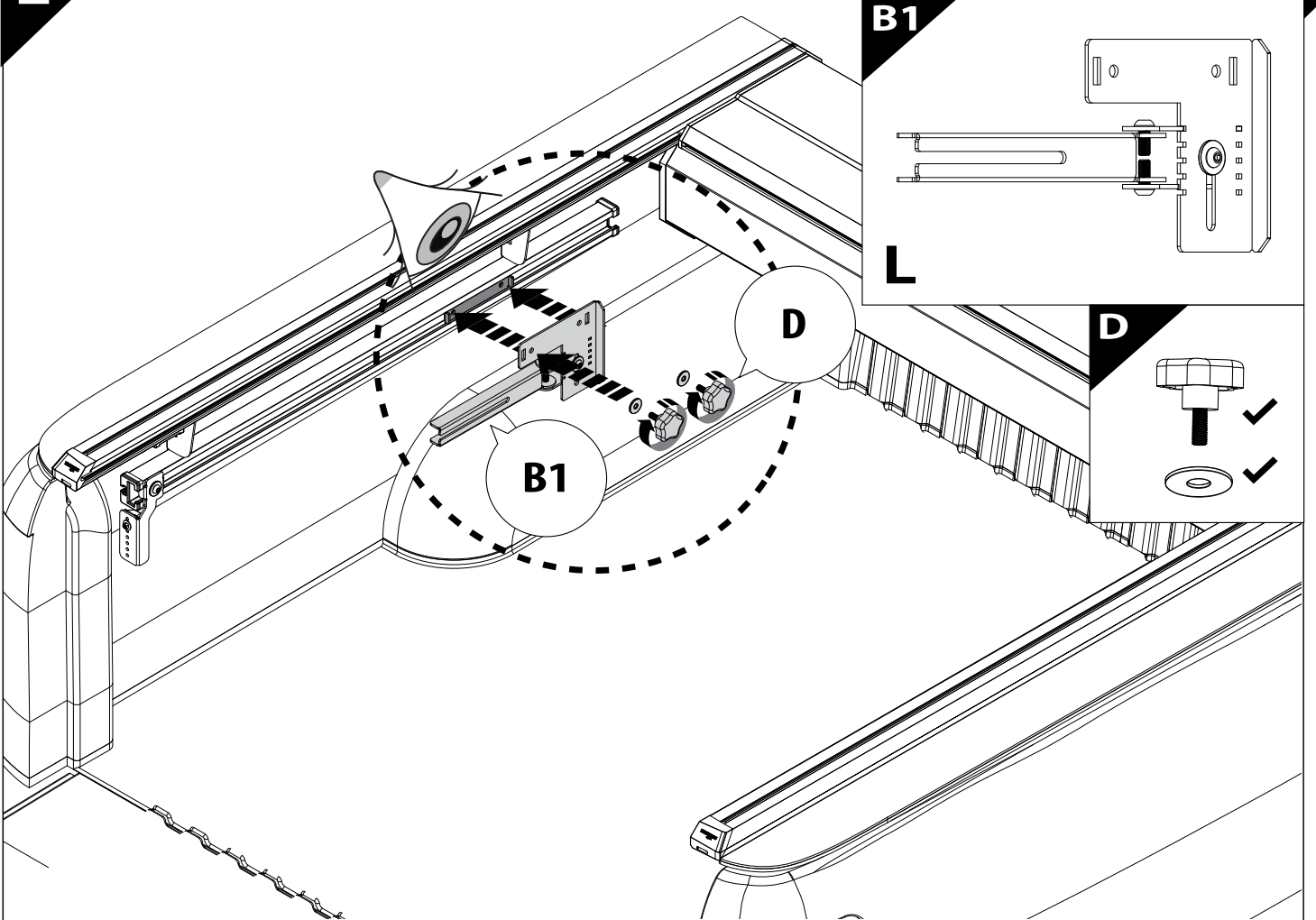
FORD RANGER P 703 / VW AMAROK 2023+ WITH OEM C-CHANNELS

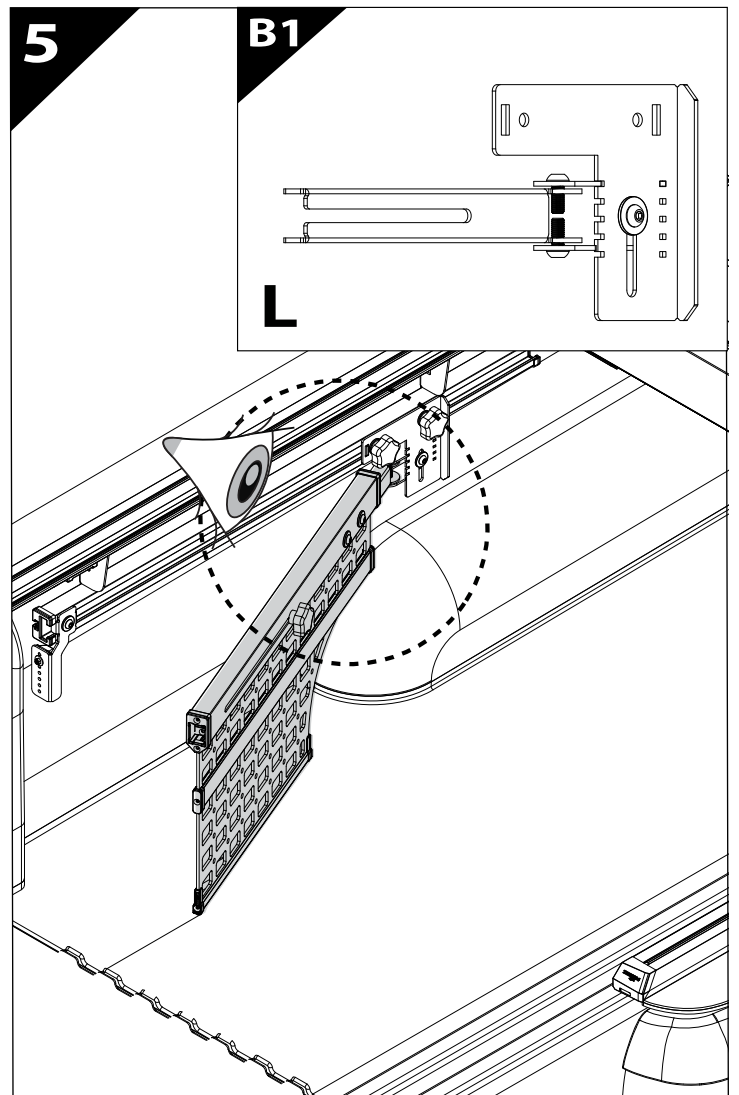
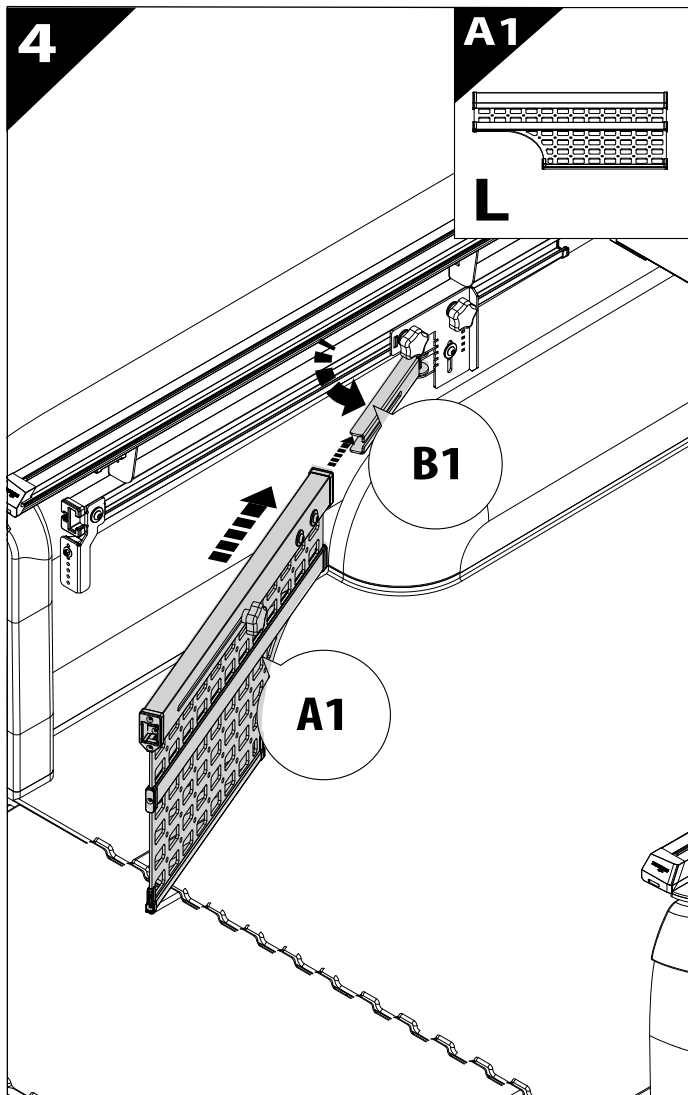
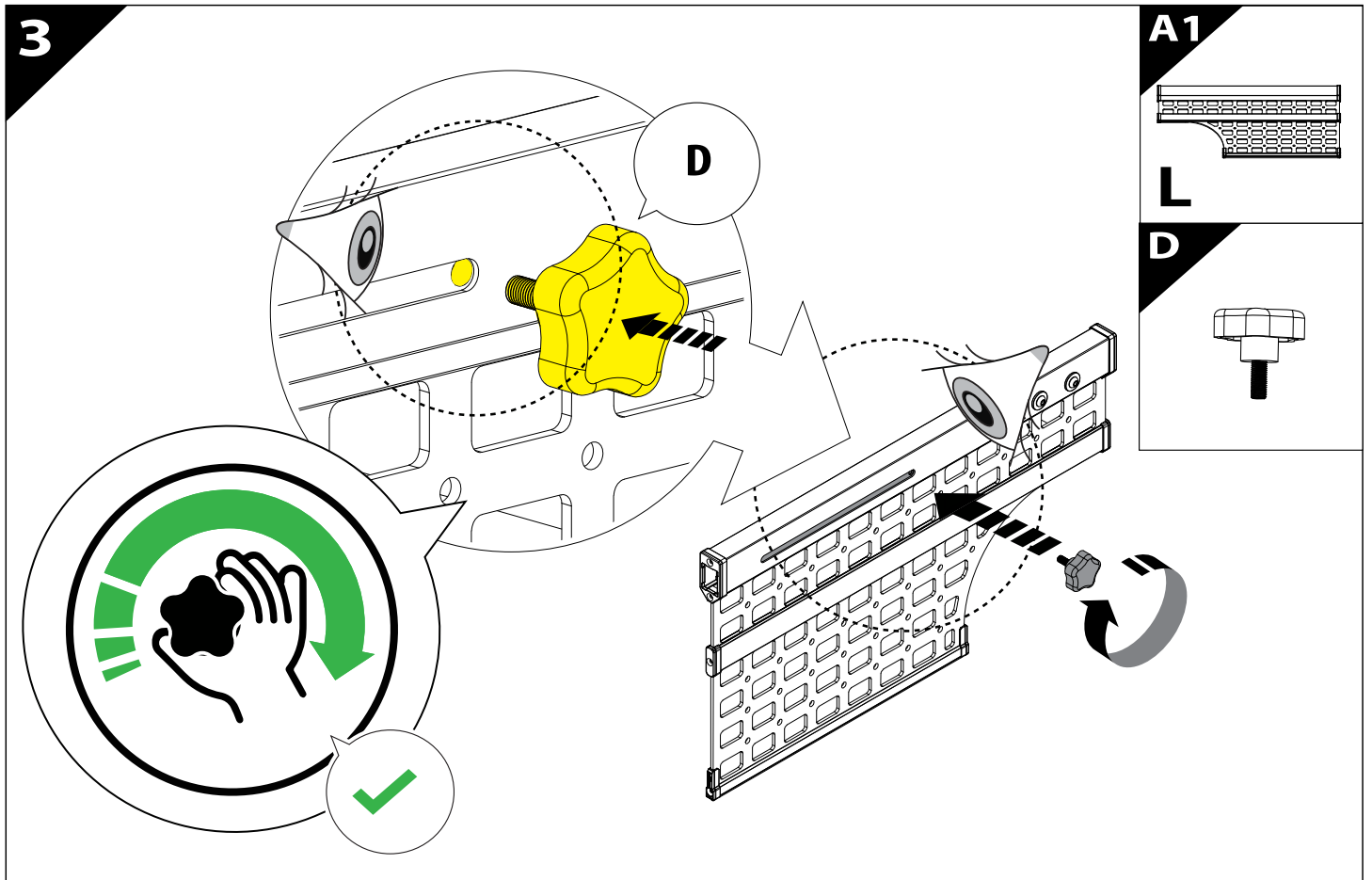


1  **TESSERA C-CHANNELS**

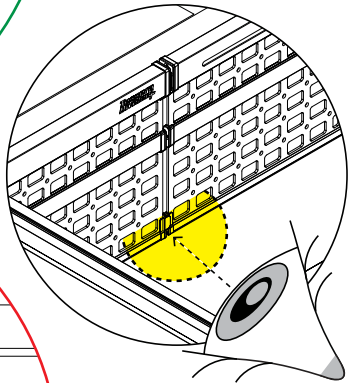
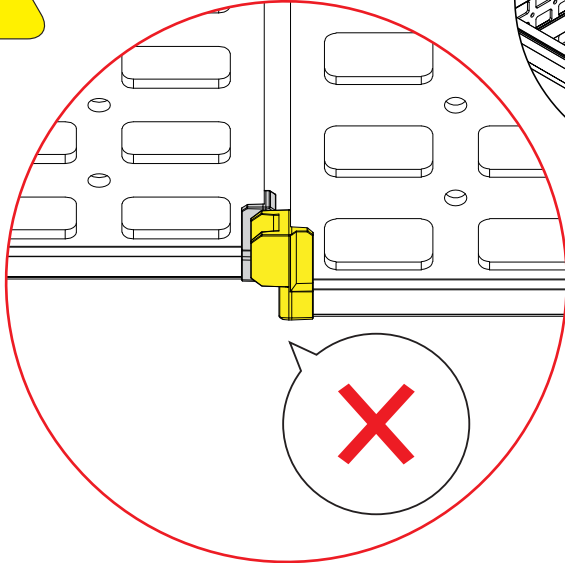
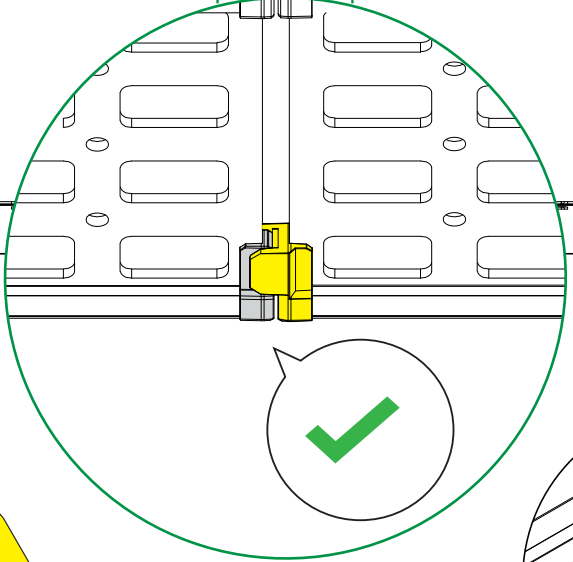
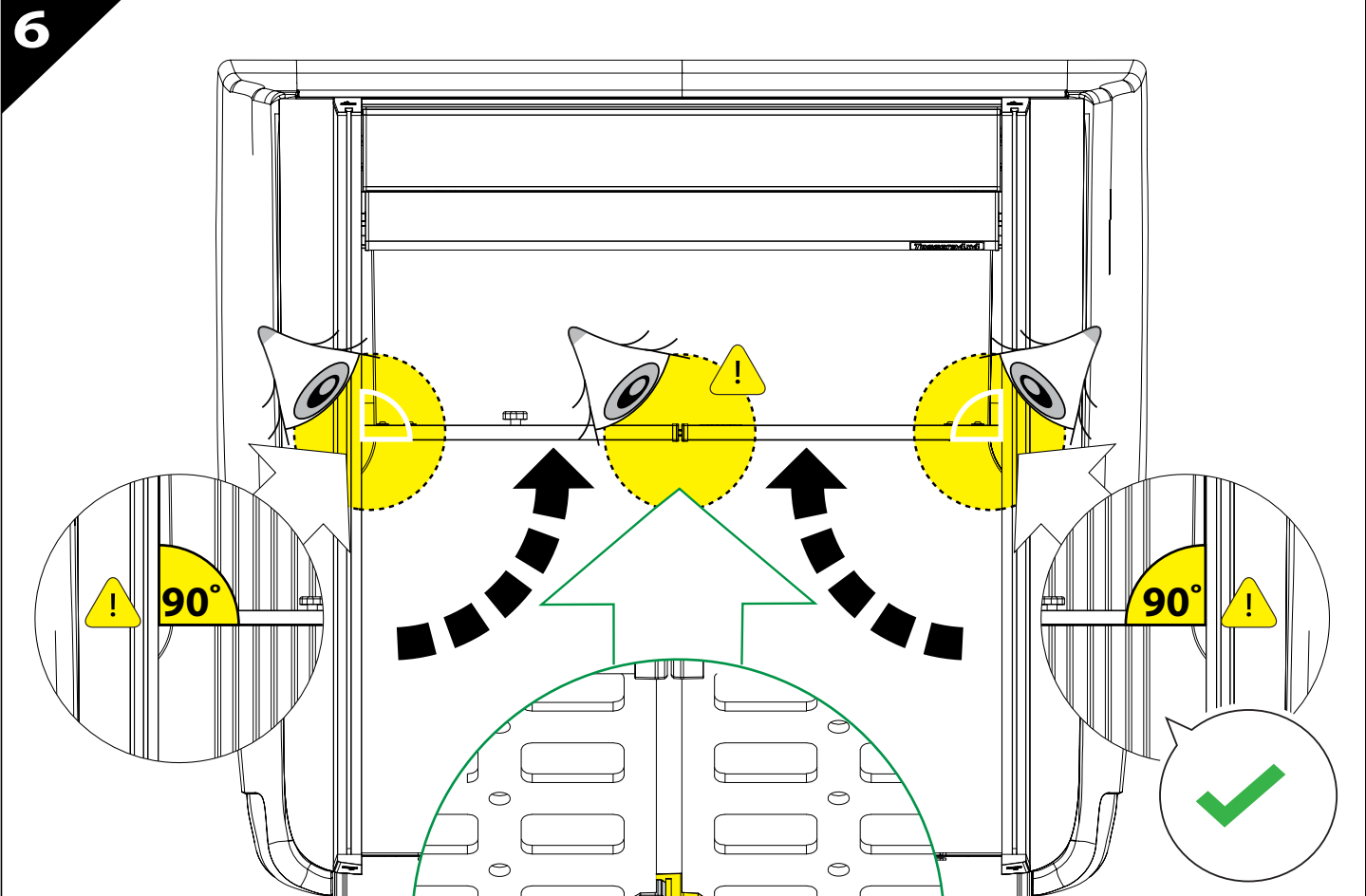


2  **FORD RANGER P 703 / VW AMAROK 2023+ WITH OEM C-CHANNELS / TESSERA C-CHANNELS**



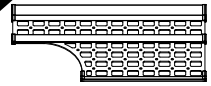


6



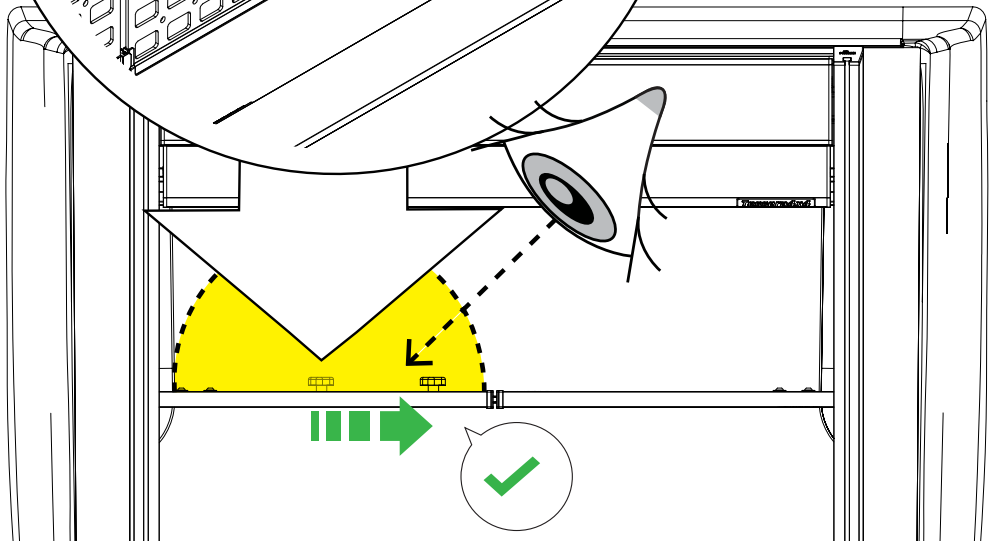
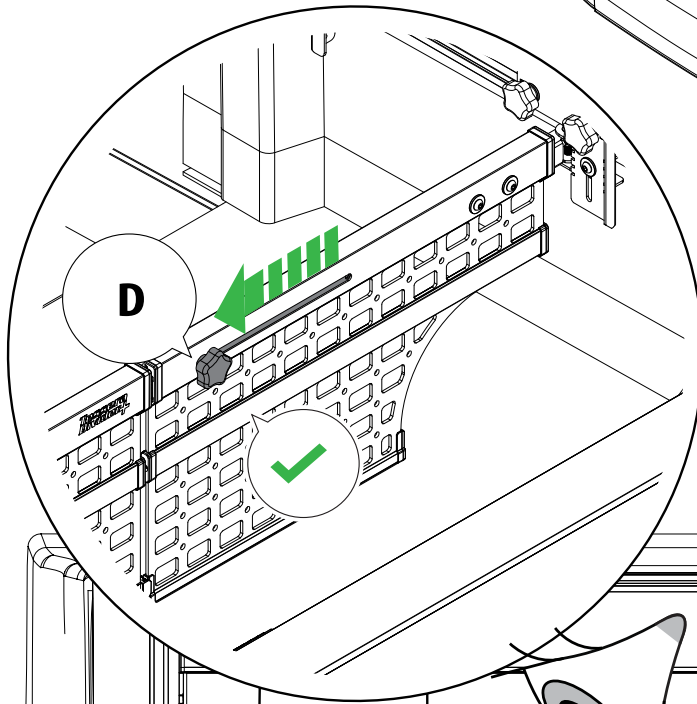
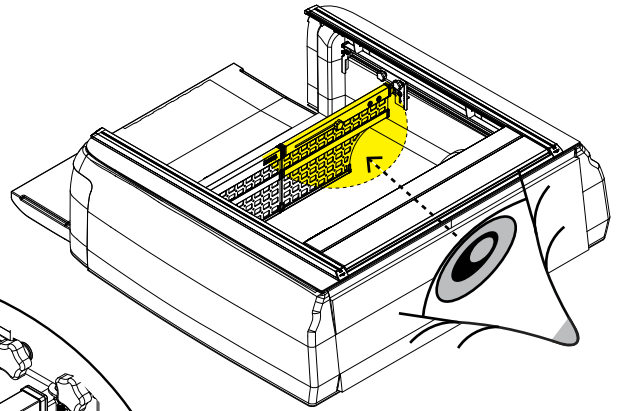
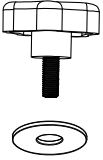
7

A1

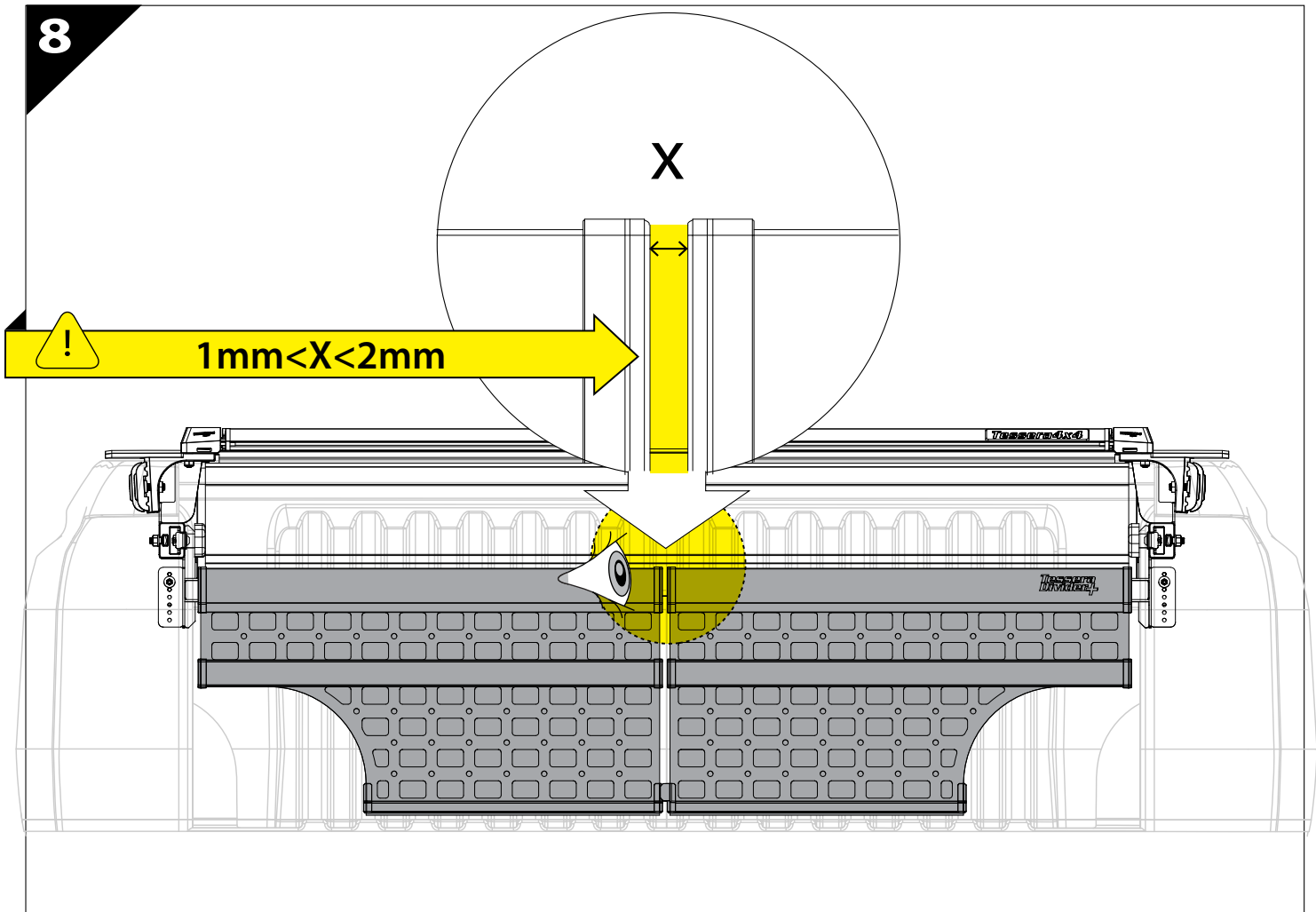


L

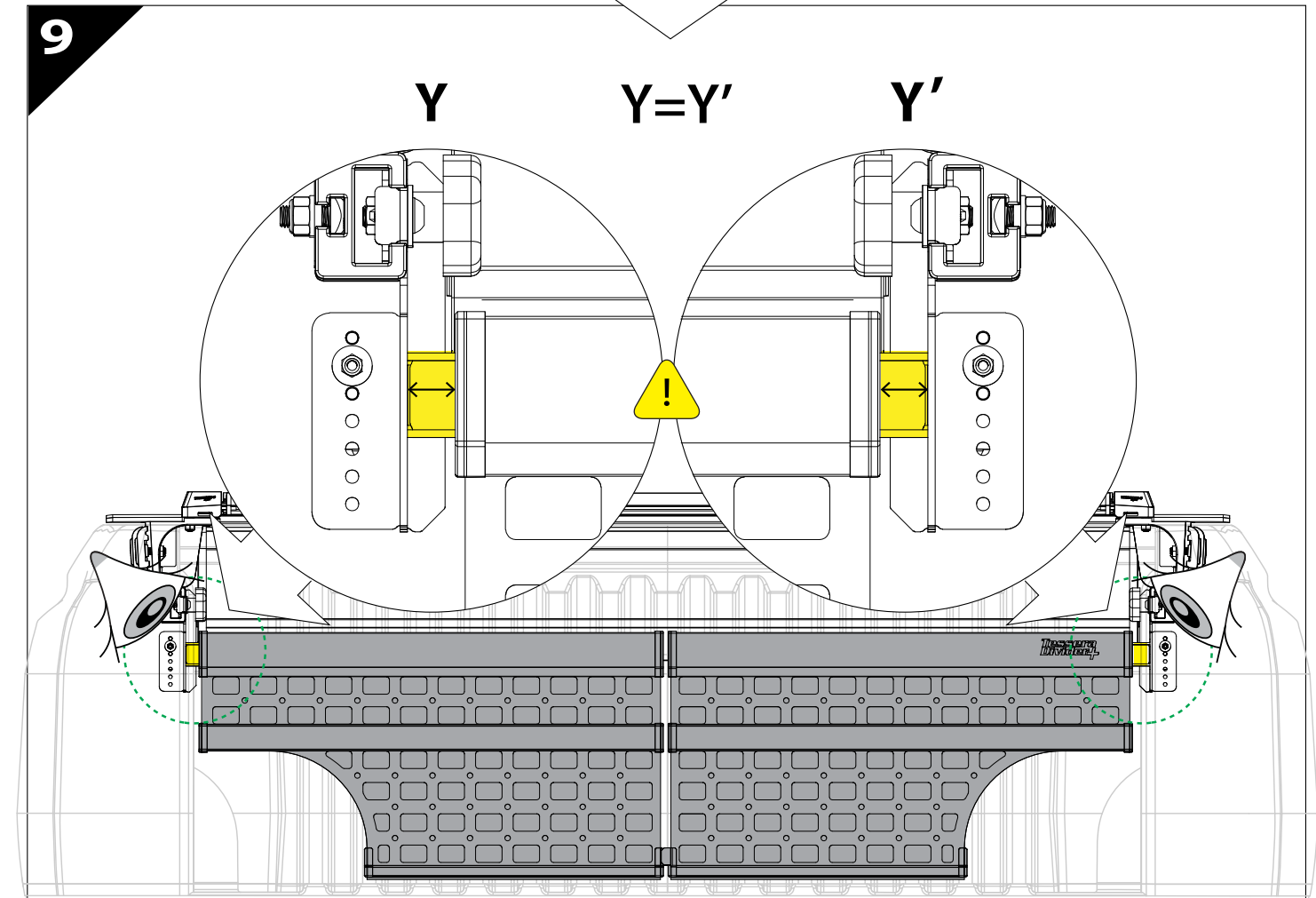
D

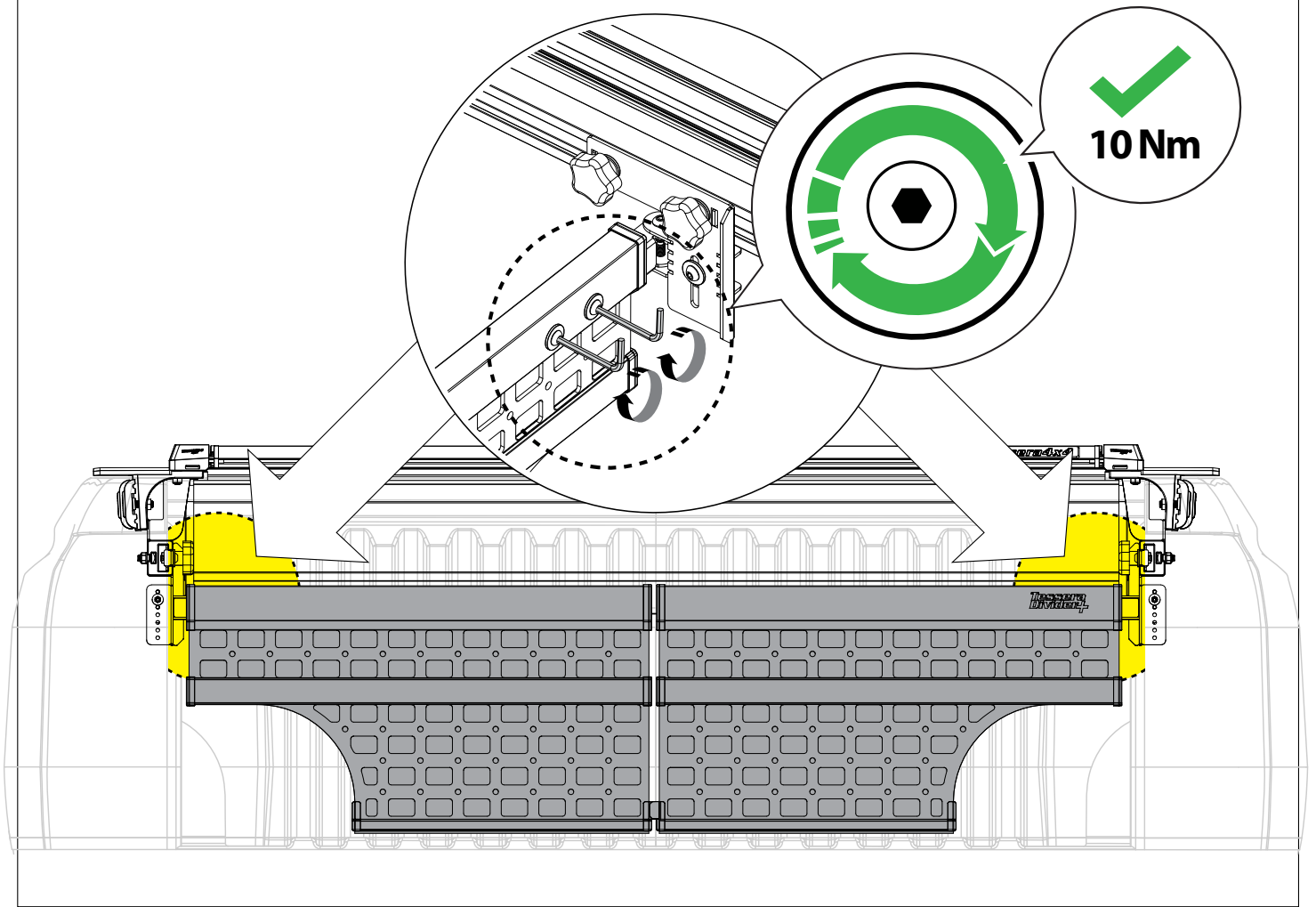


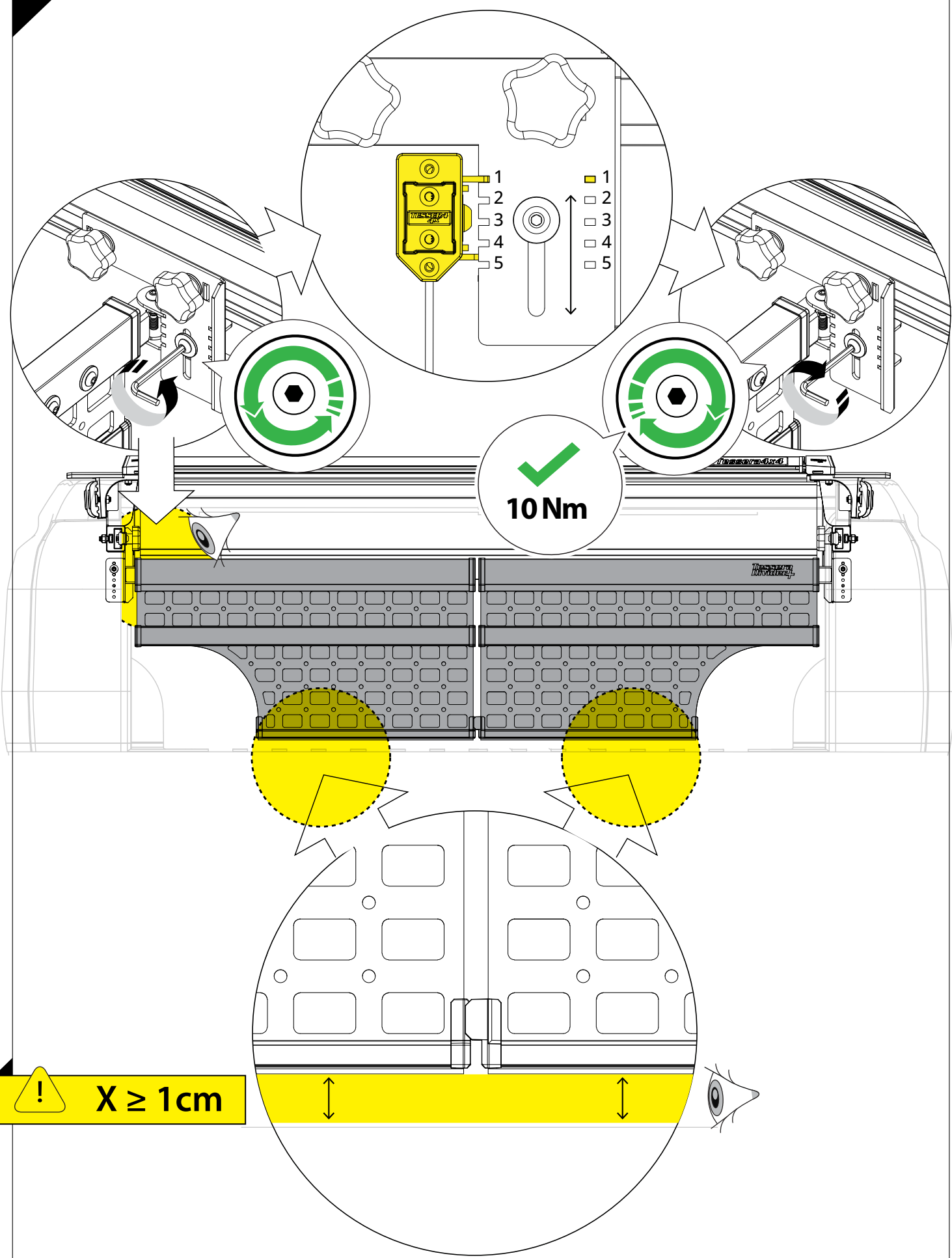
8

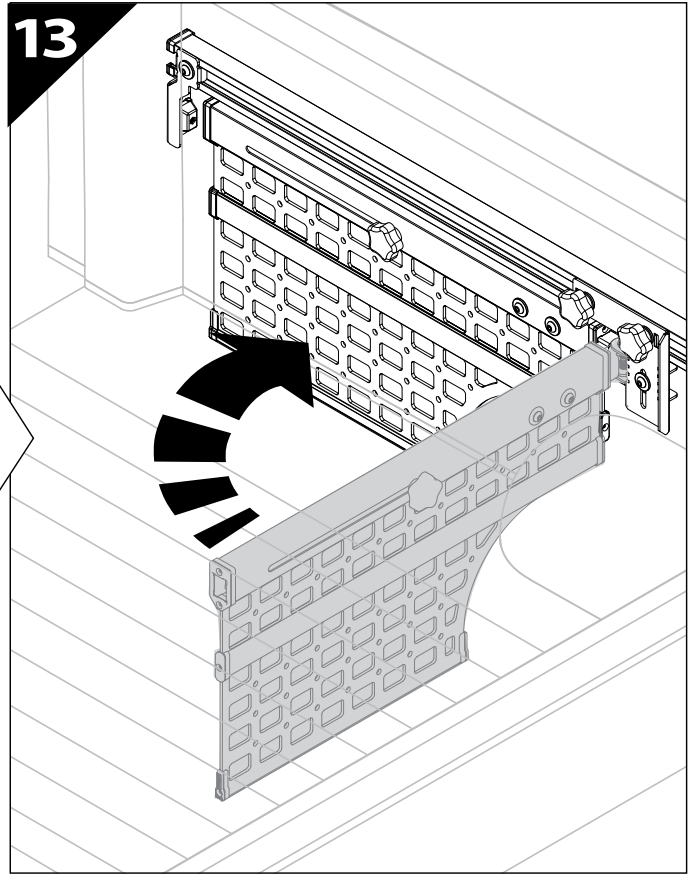
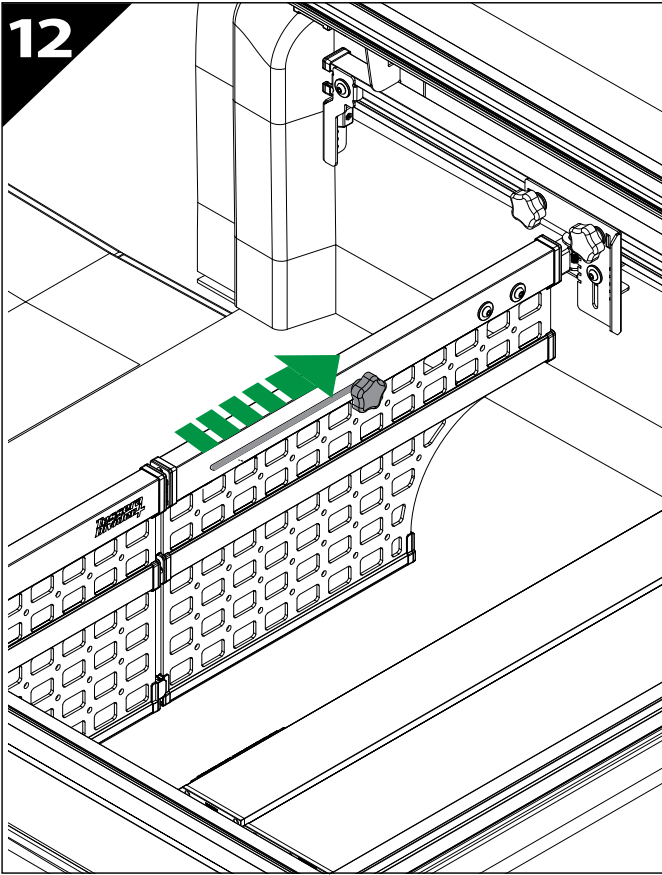


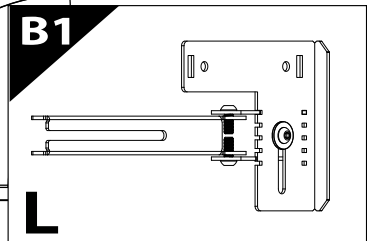
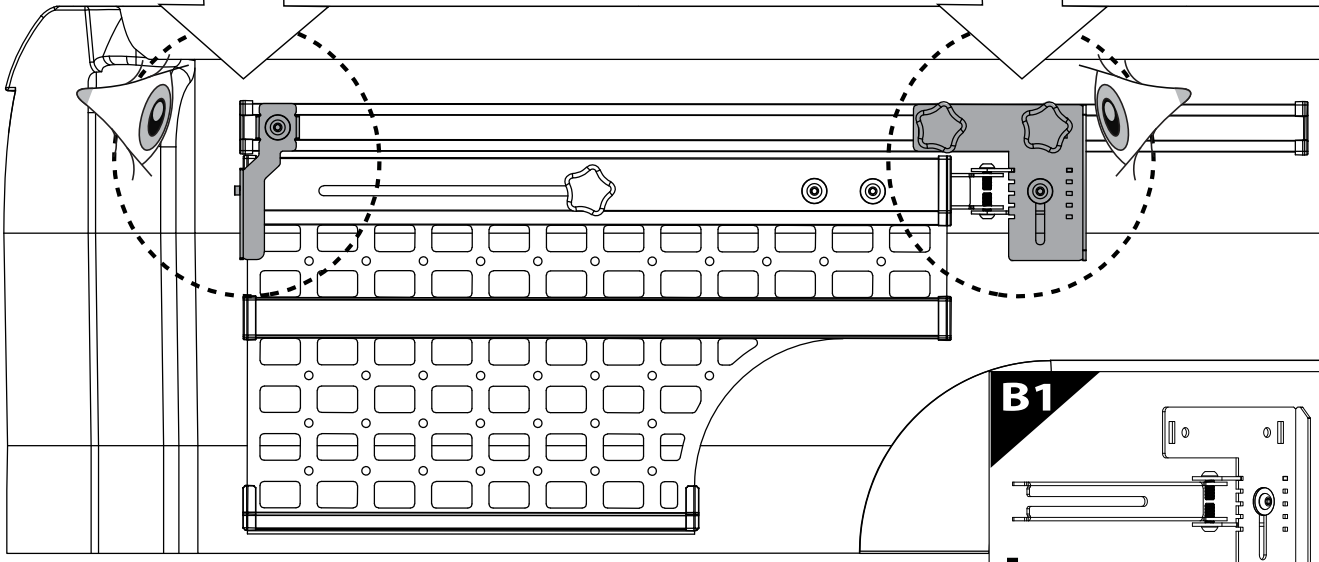
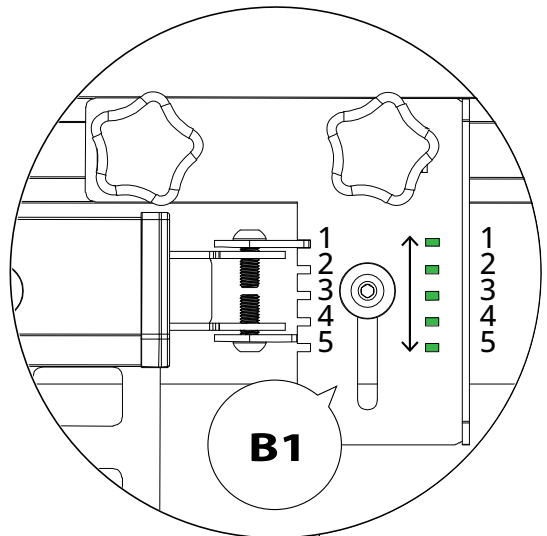
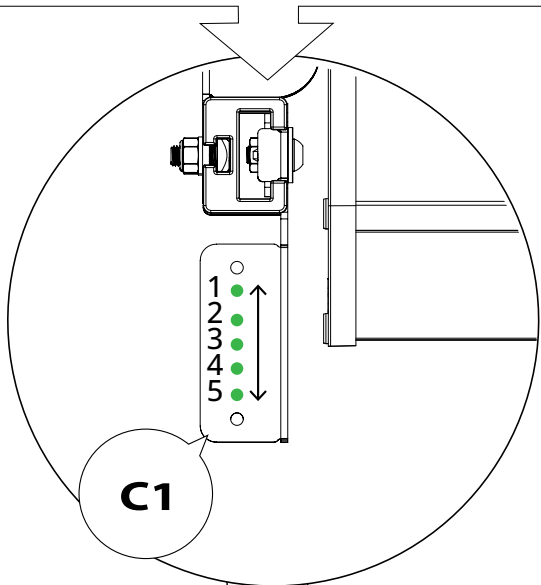
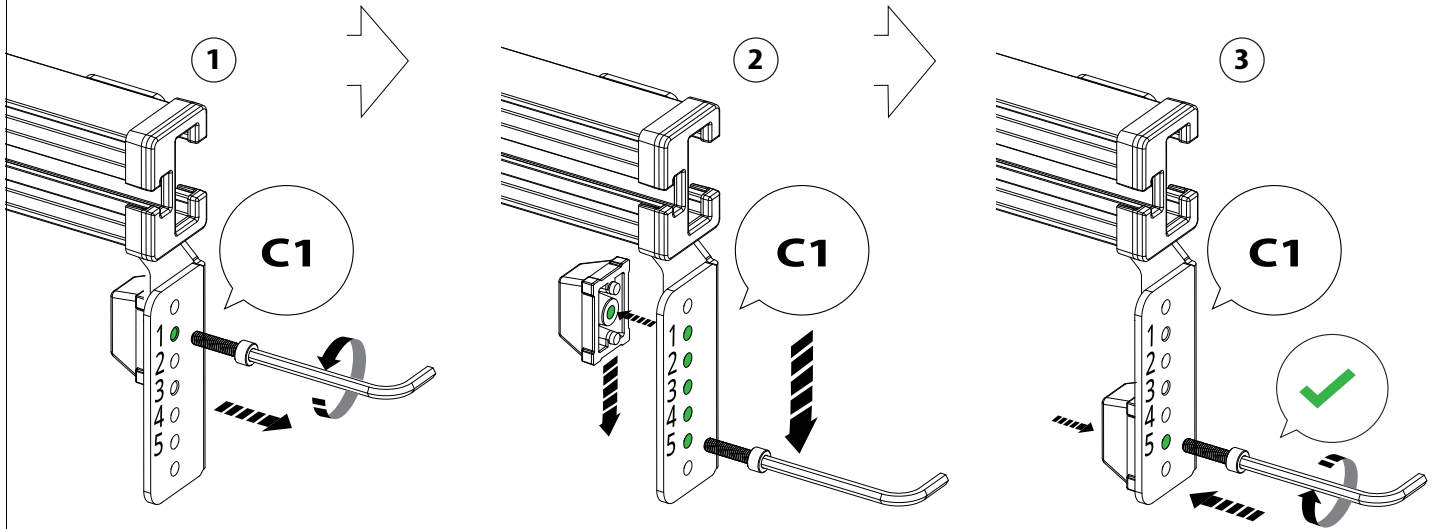
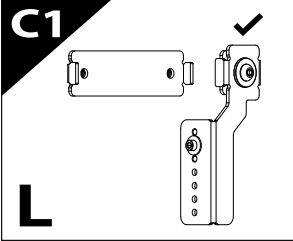
9

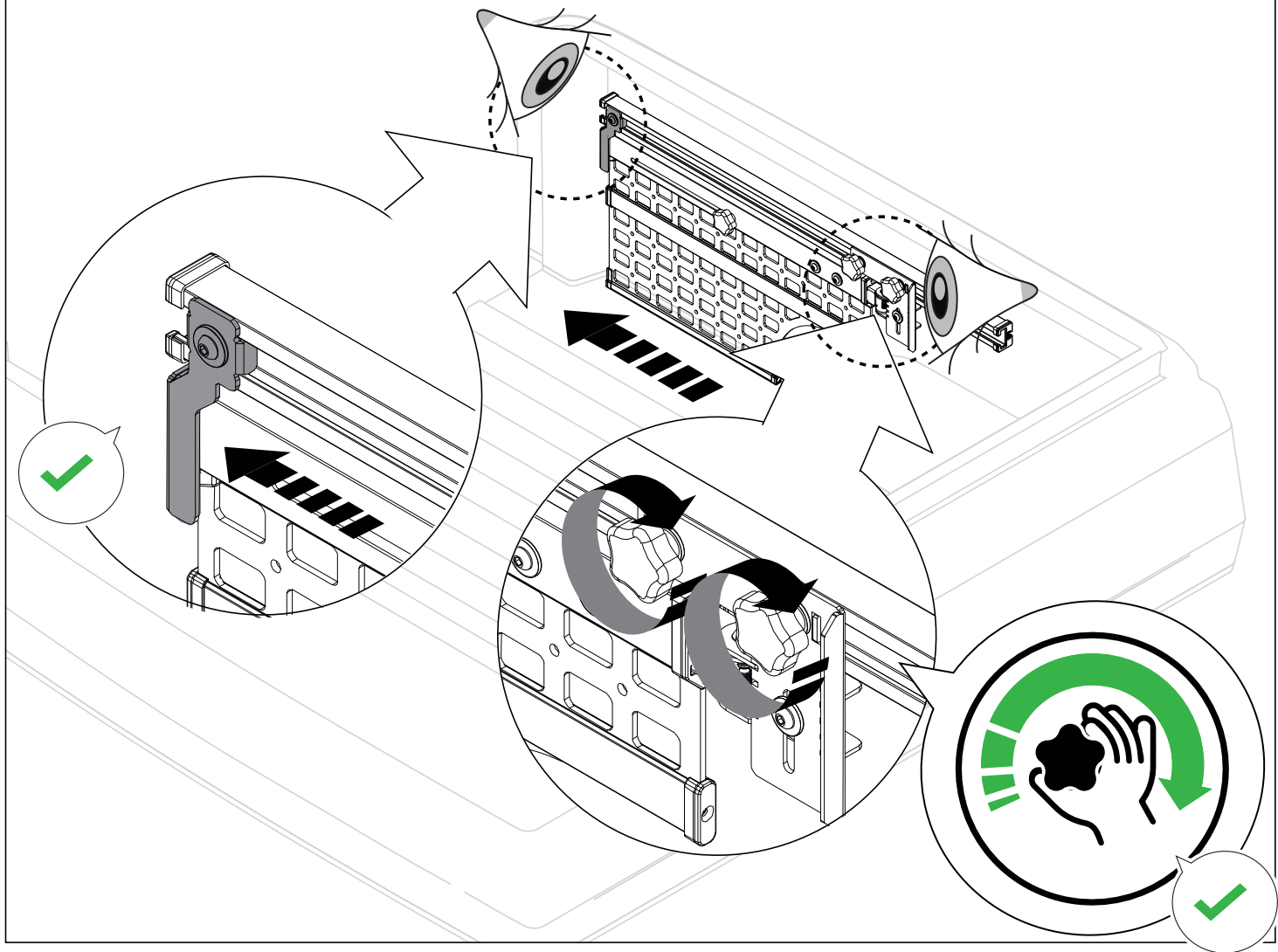


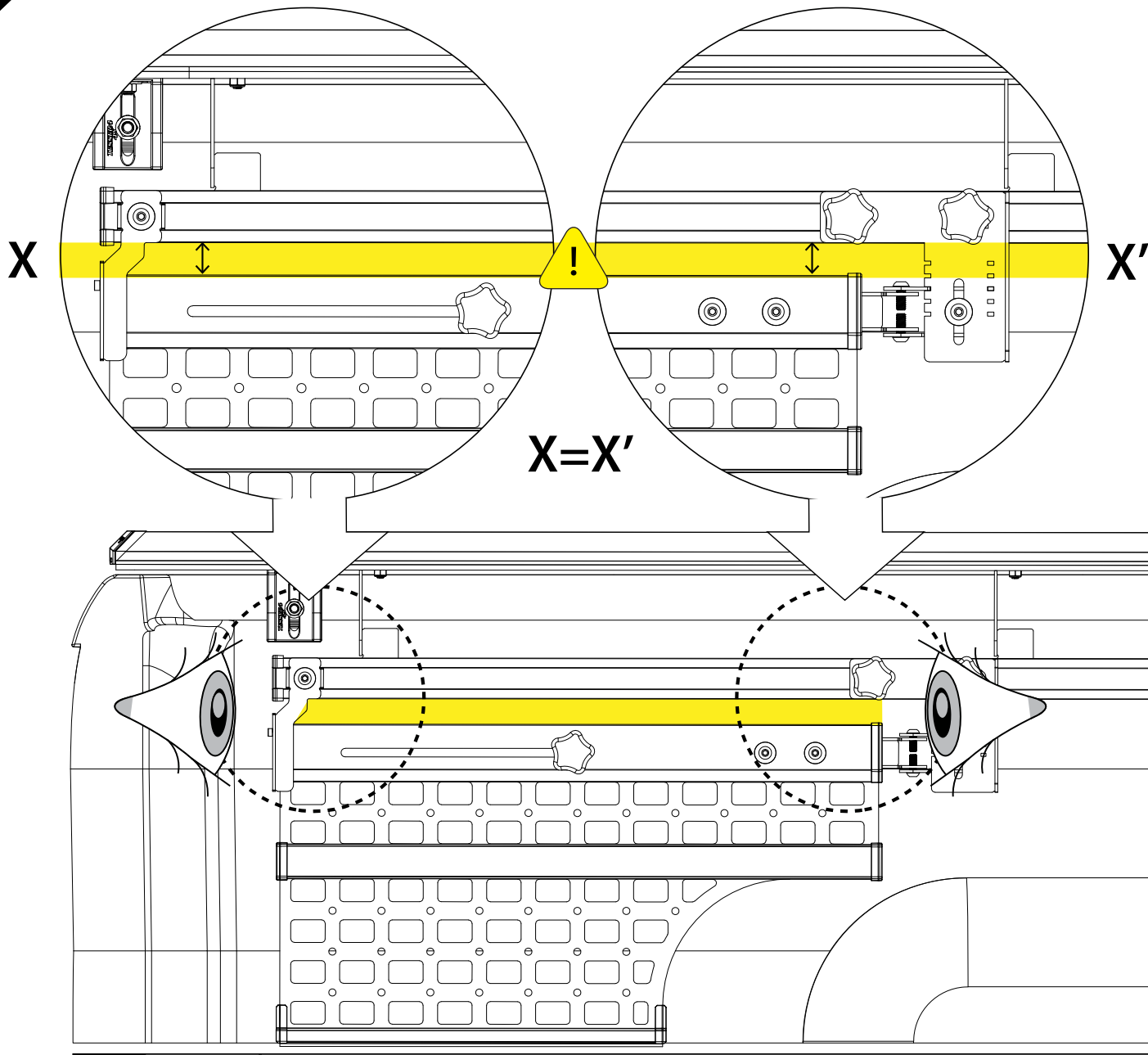












GR: Οδηγίες Εγκατάστασης
GB: Installation manual
SF: Asennusohje
F: Notice de montage
PL: Instrukcja montażu
NL: Installatie-instructies
TR: Montaj Talimatı
S: Monteringsanvisning
E: Instrucciones de montaje

H: Szerelési utasítás
P: Instruções de instalação
RUS: Инструкция по установке
N: Monteringsveiledning
D: Einbauanleitung
CZ: Návod k instalaci
I: Istruzioni de montaggio
DK: Monteringsvejledning
RO: Instructiuni de instalare

Customer Service:

+30 (210) 5541161, +30 (210) 5541154 (08:00 - 16:00 EET)

Support department:

info@gianso.gr

Website:

www.tessera4x4.com

Address:

19.5 km of National road Athens-Korinthos (Elefsina) Greece, P.C: 19200