

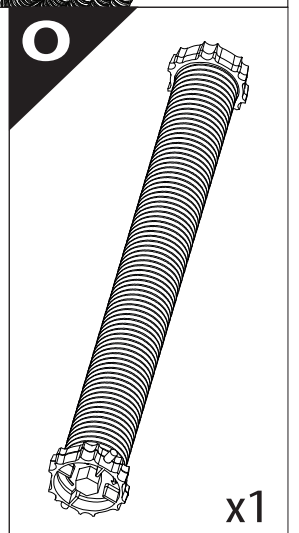
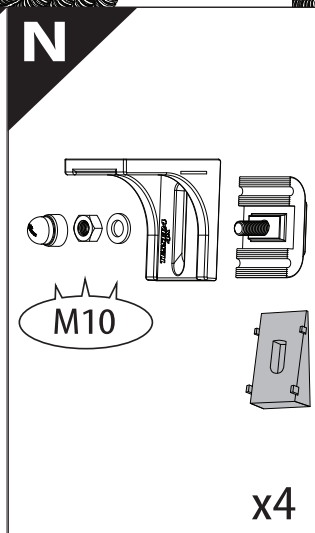
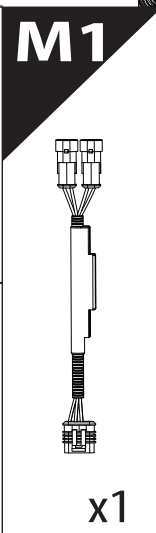
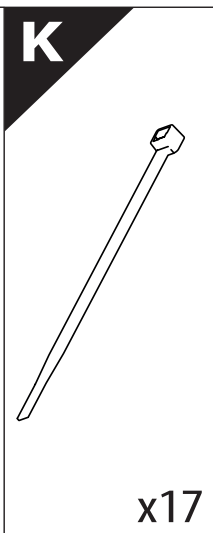
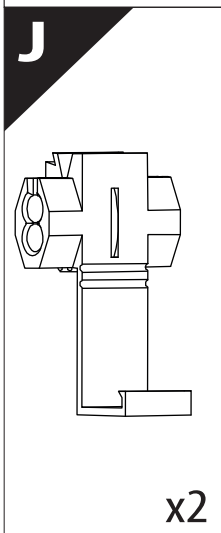
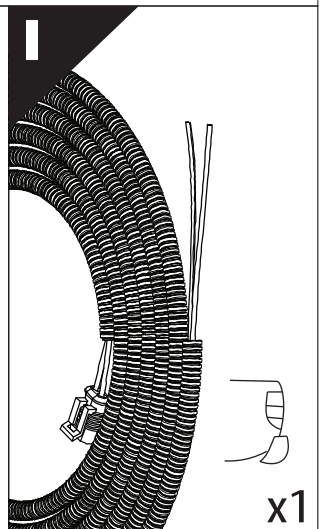
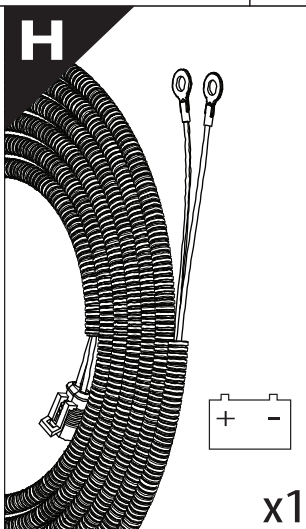
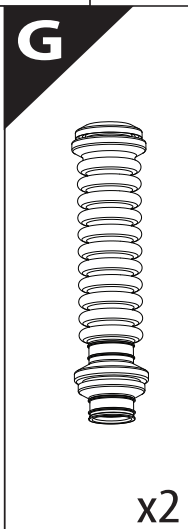
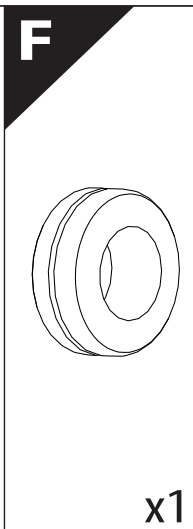
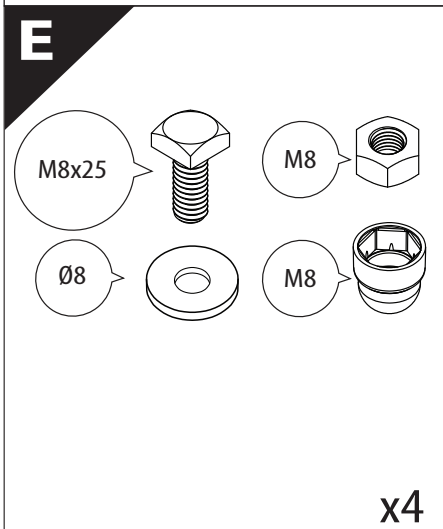
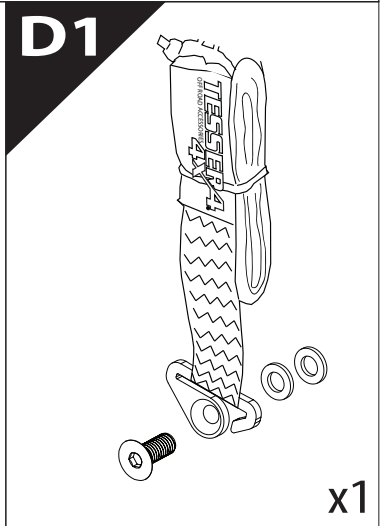
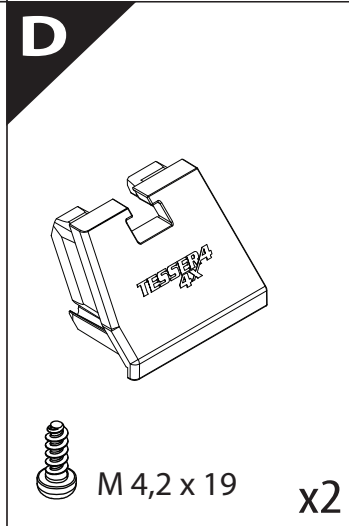
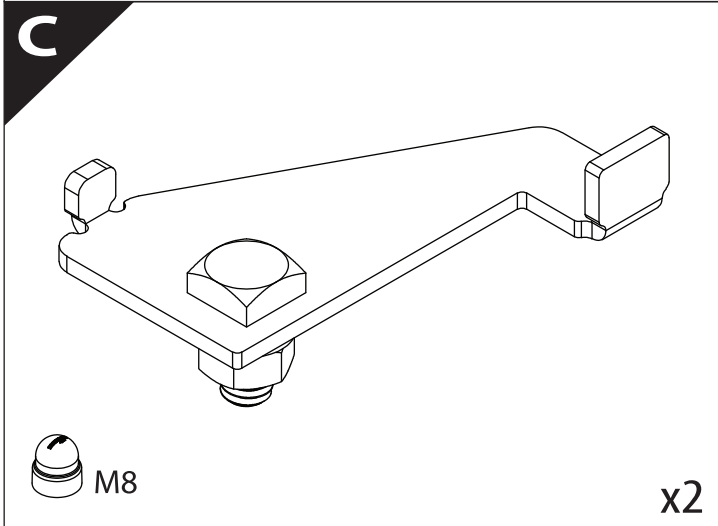
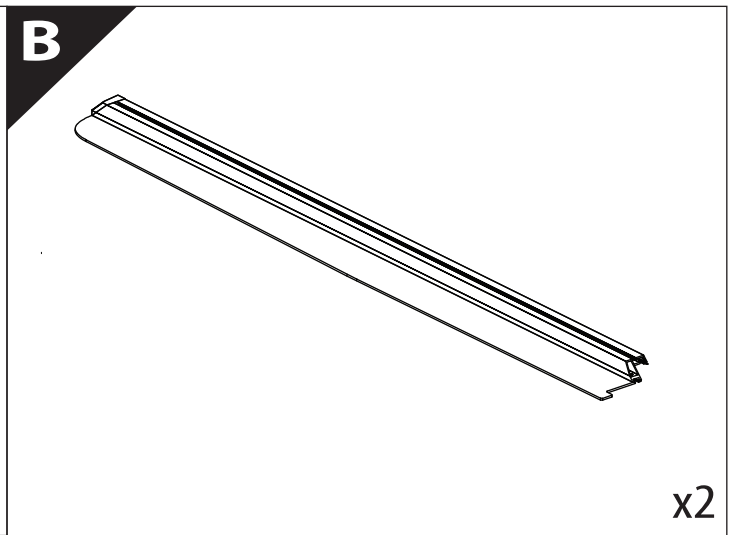
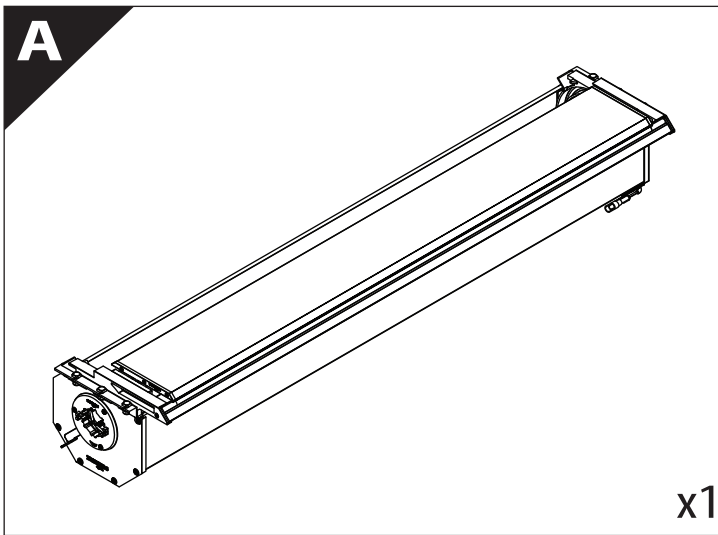
Tessera Roll+

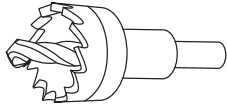
Basic Version + ⚙️ S-KIT



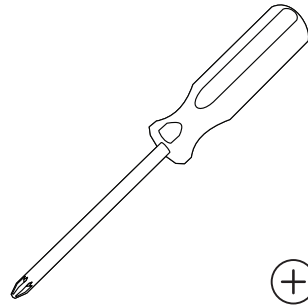
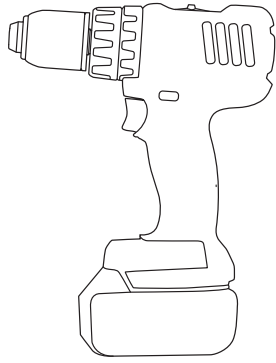
Installation Manual

PART NUMBER(S)	Model Year
TESS 1442 ROLL+S-KIT	Mitsubishi L200 2024+ (No Tailgate Spoiler)
Cab(s)	Installation Time / Weight
Double Cab	40-60 minutes / 53-57 kg

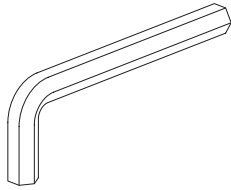
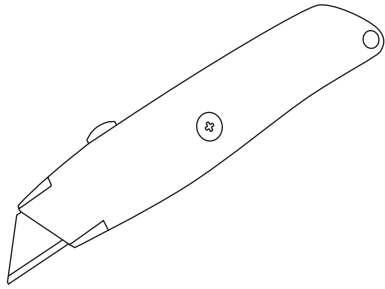
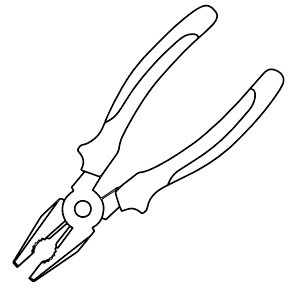




Ø 25 mm / Ø 40 mm

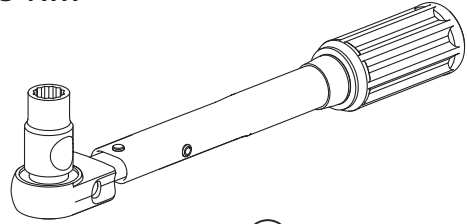


+



4 mm

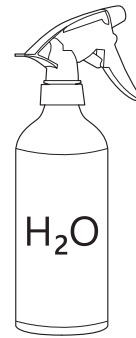
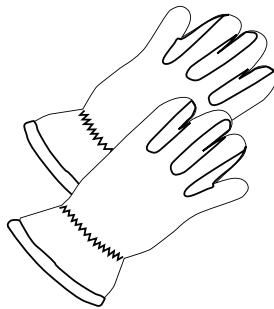
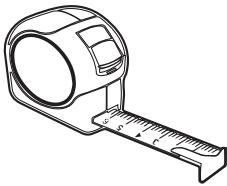
1 - 25 Nm



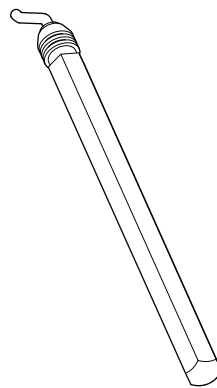
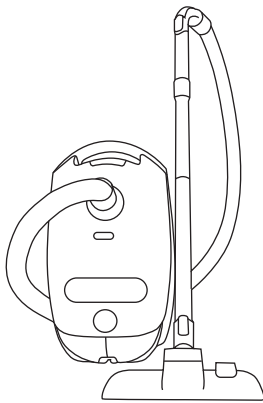
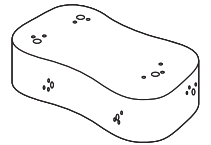
12, 13, 17 mm



ACETONE



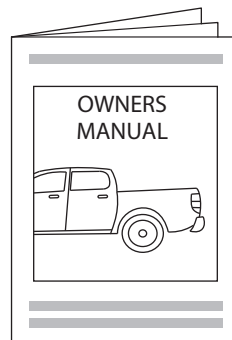
H₂O



ANTI-RUST

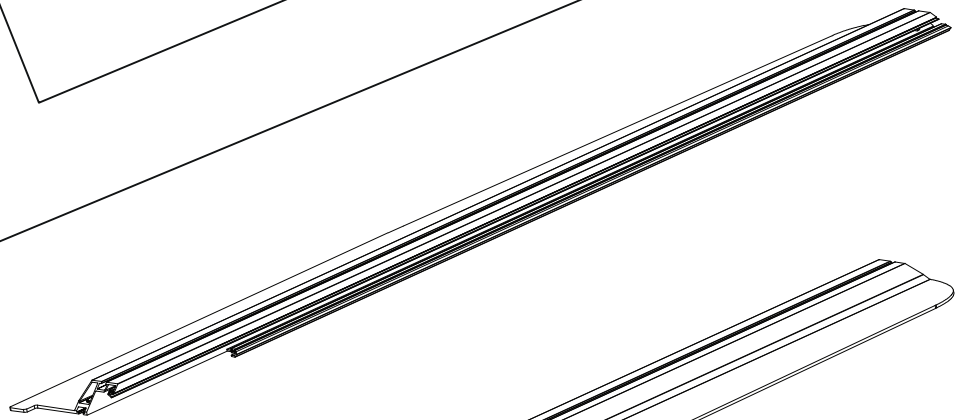
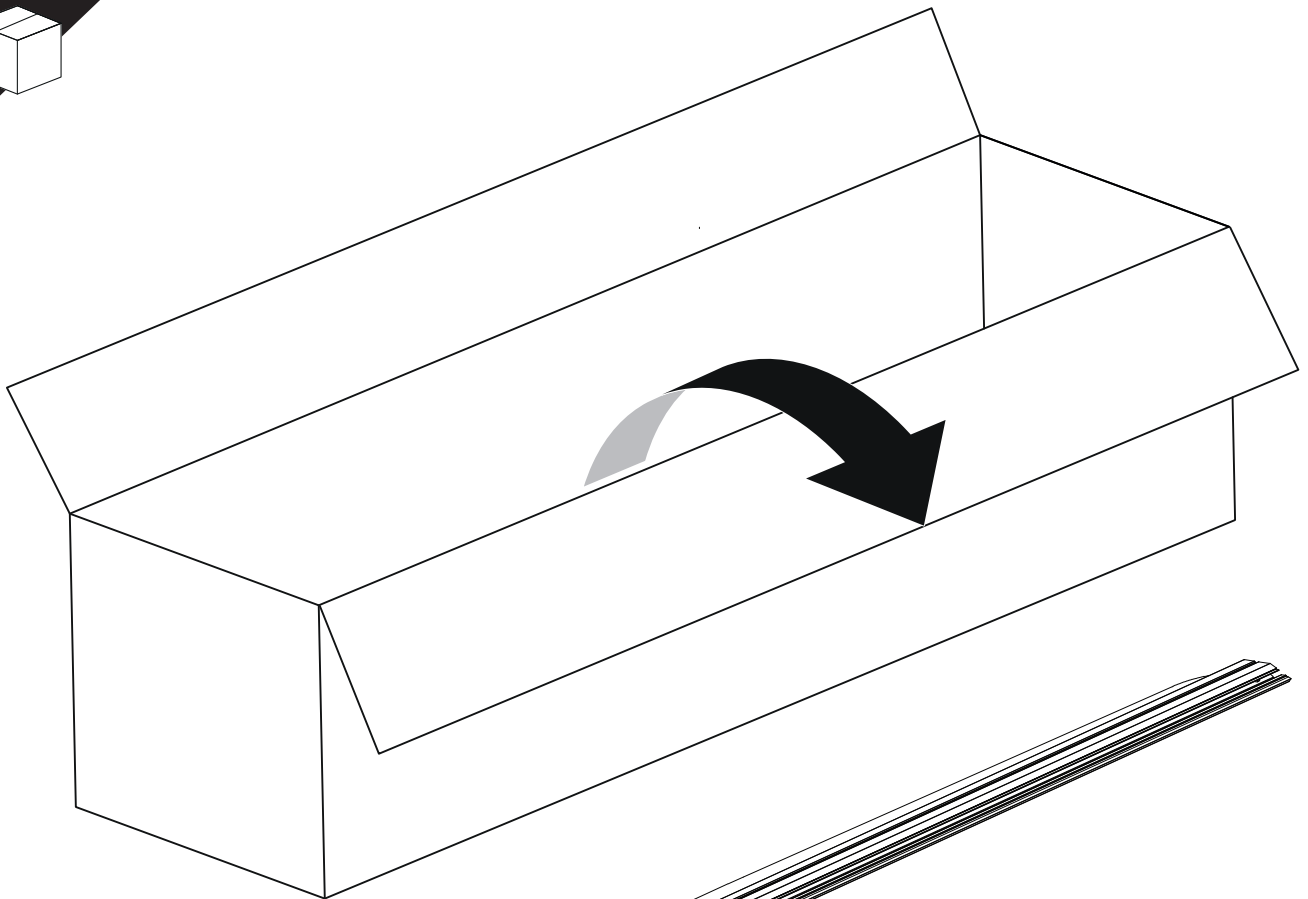


INSTALLATION
MANUAL

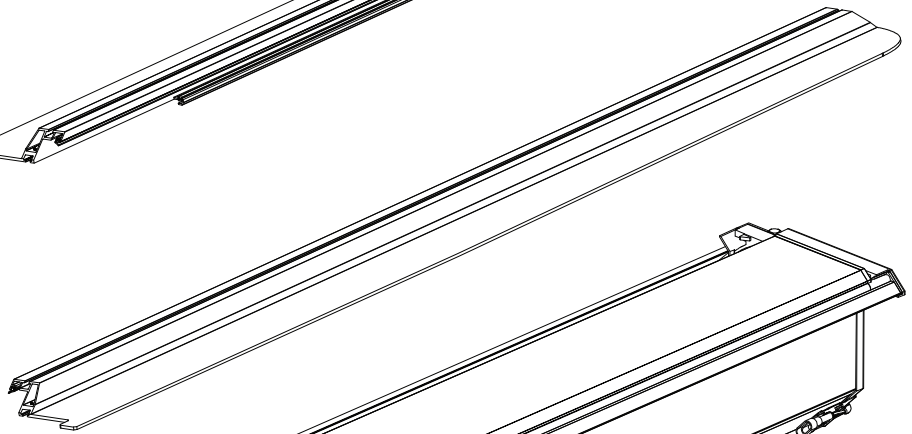


OWNERS
MANUAL

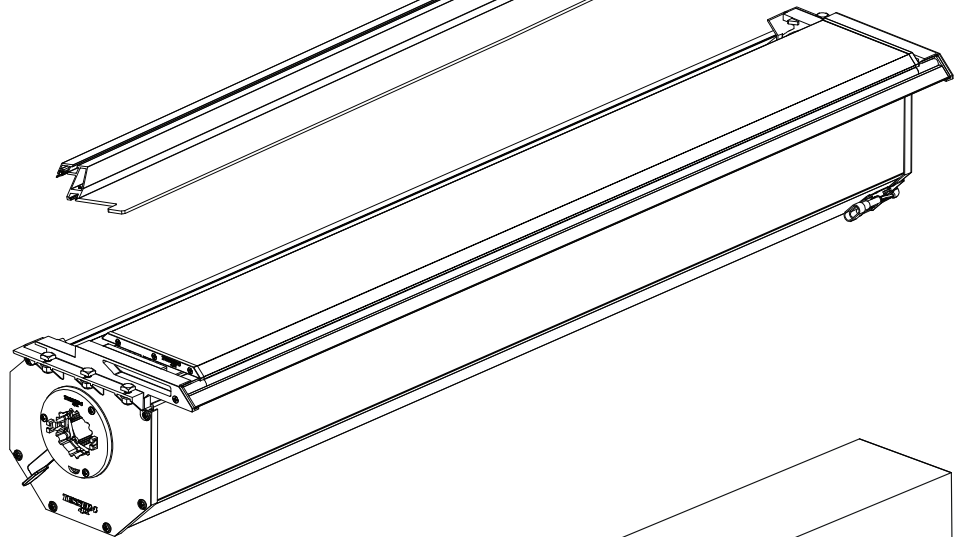
x1



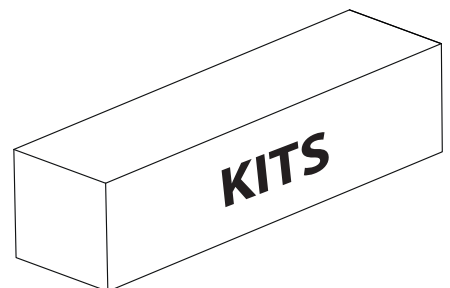
B



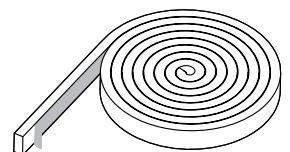
A

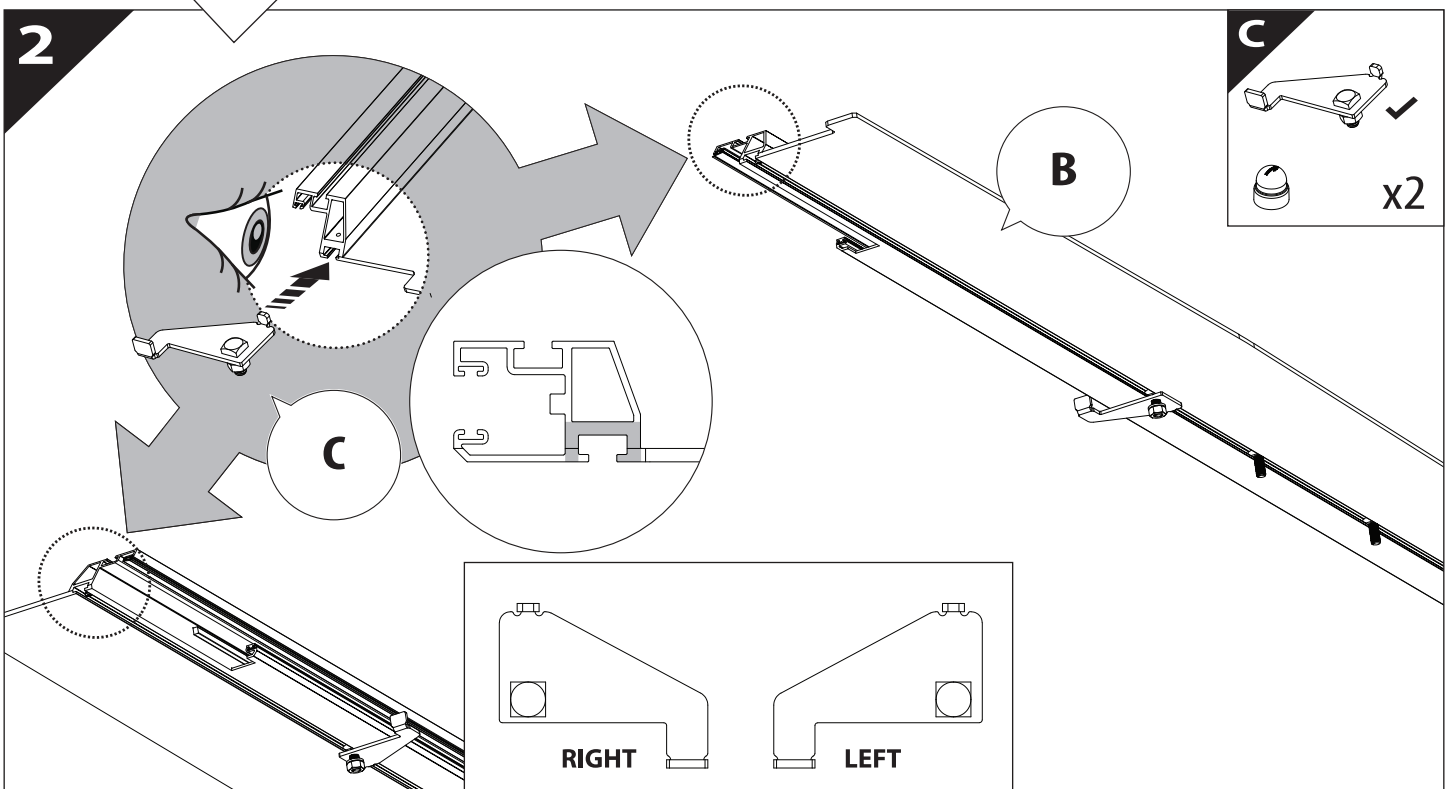
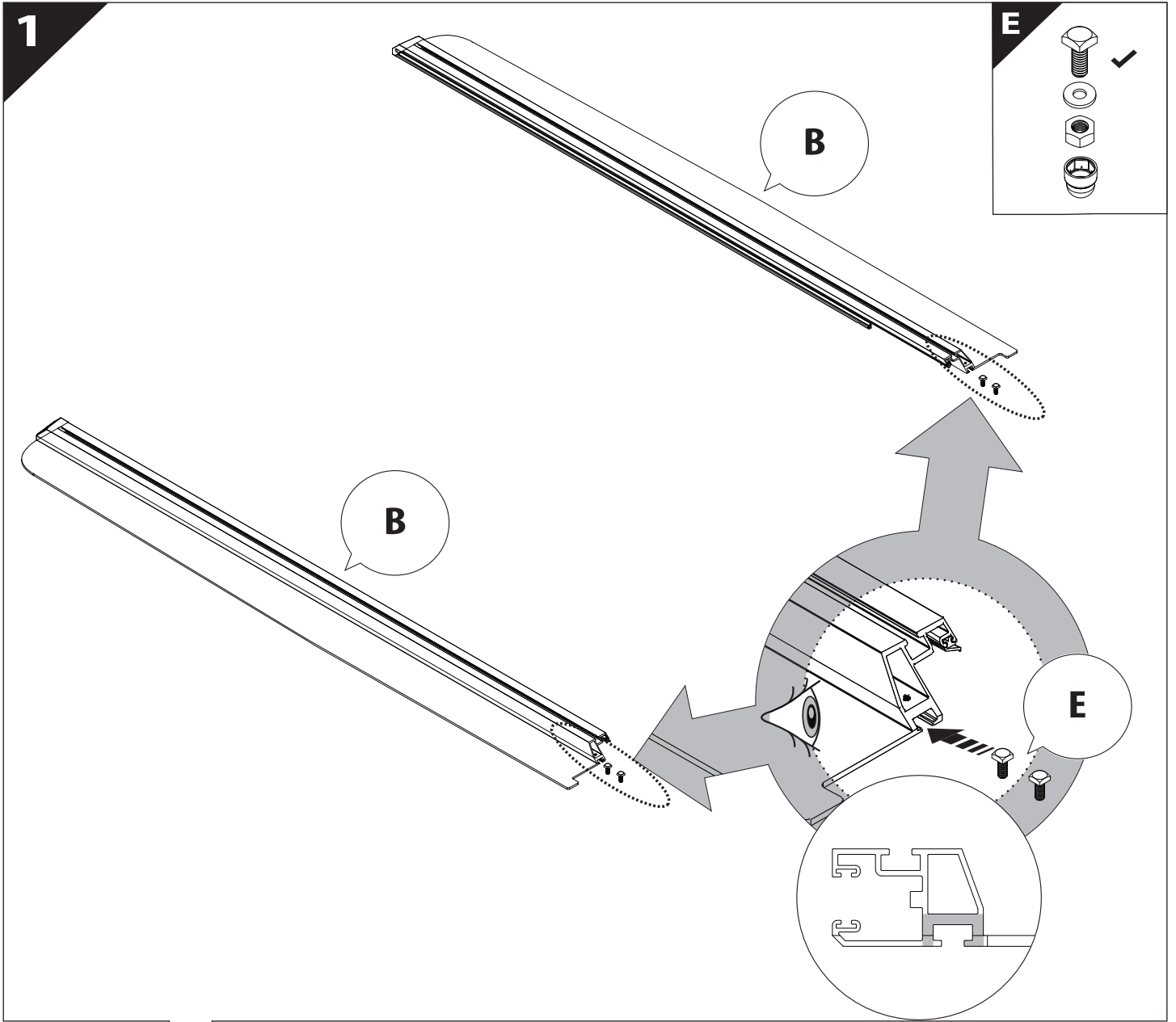


KITS

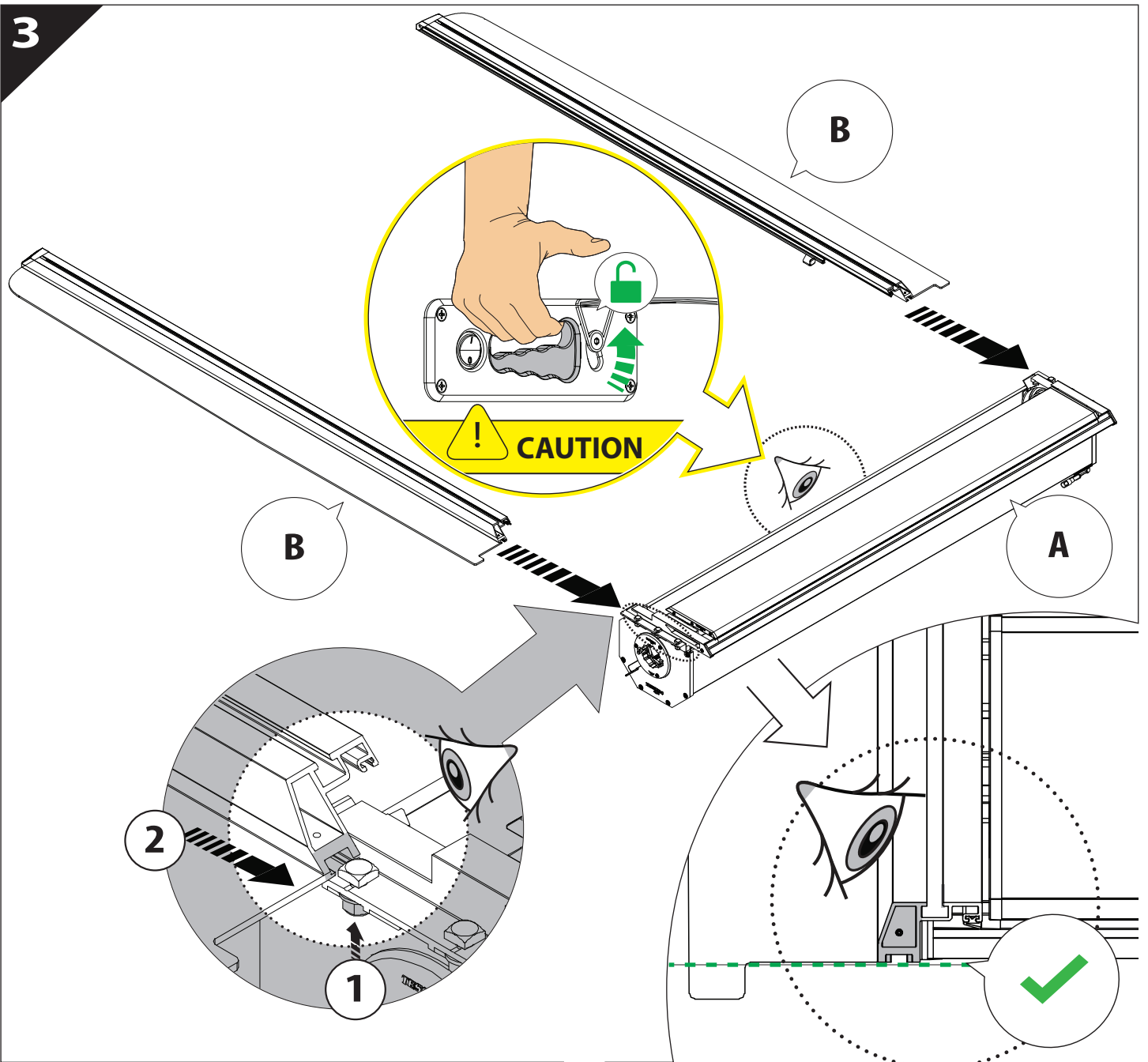


L

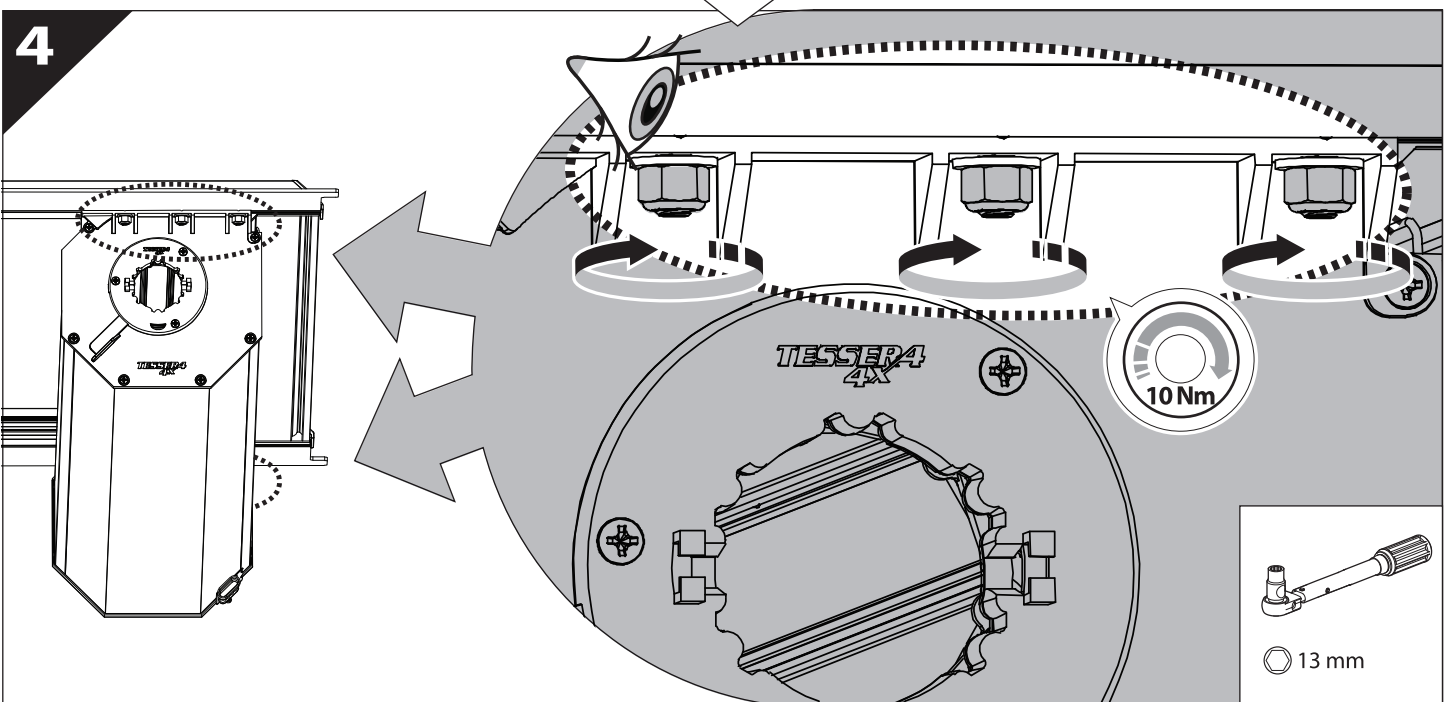


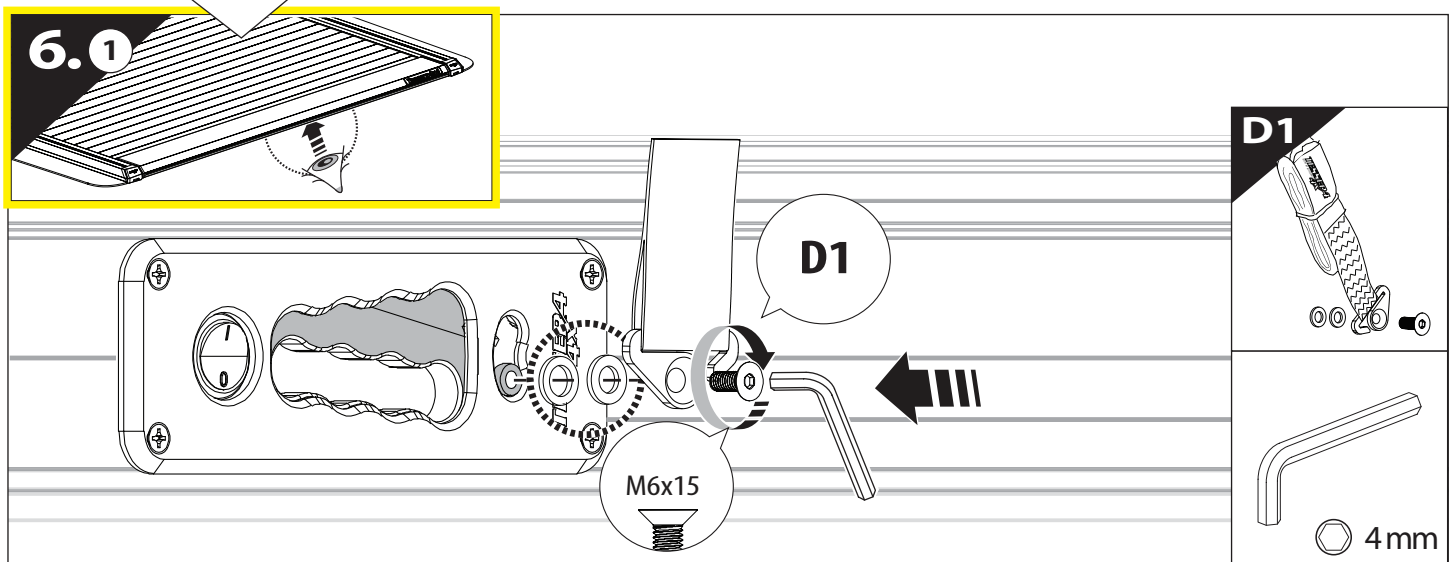
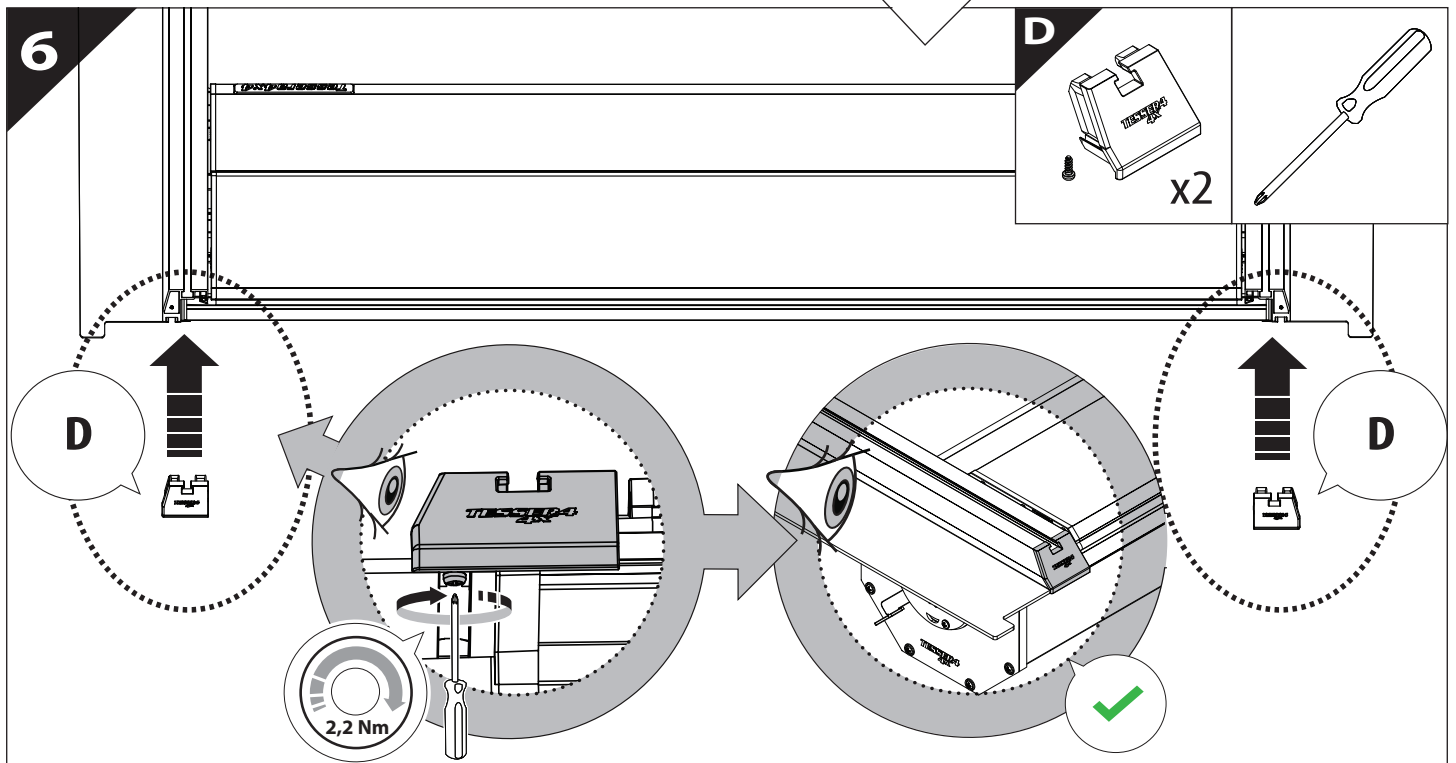
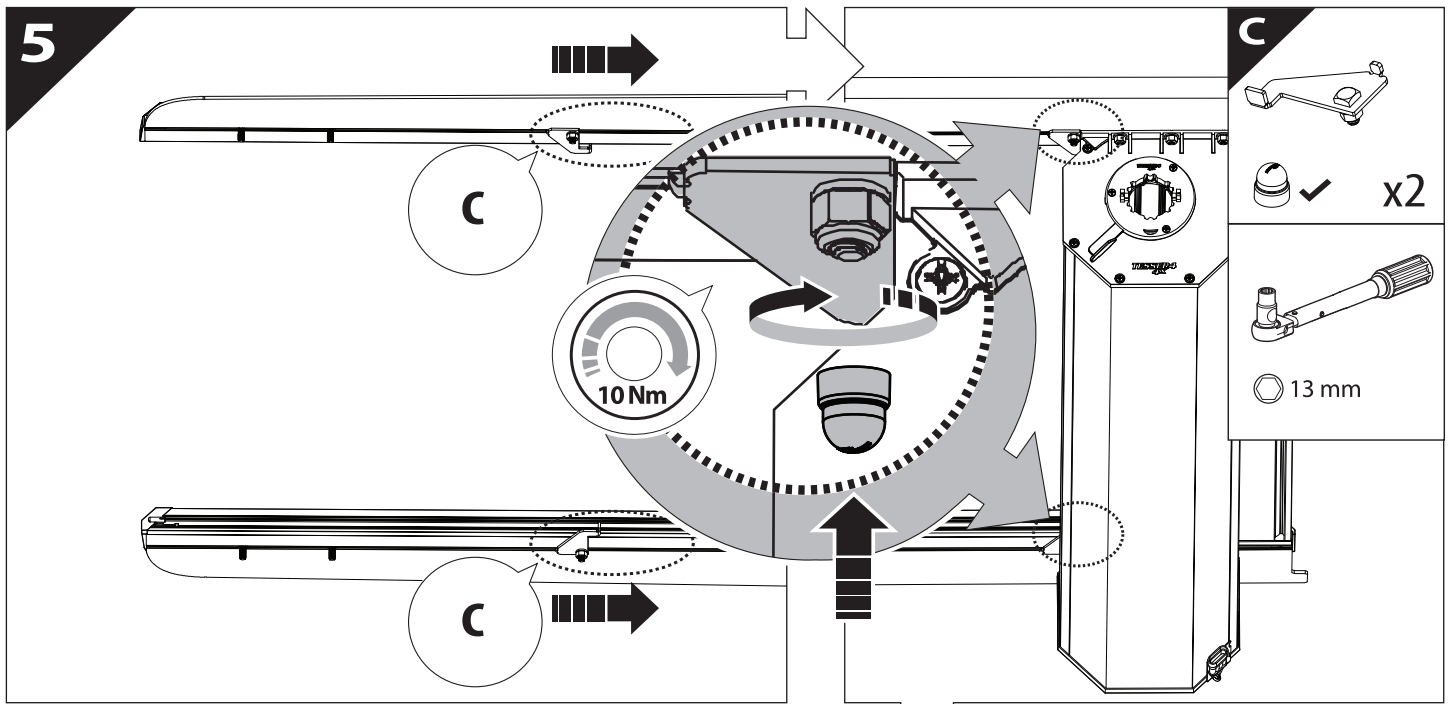


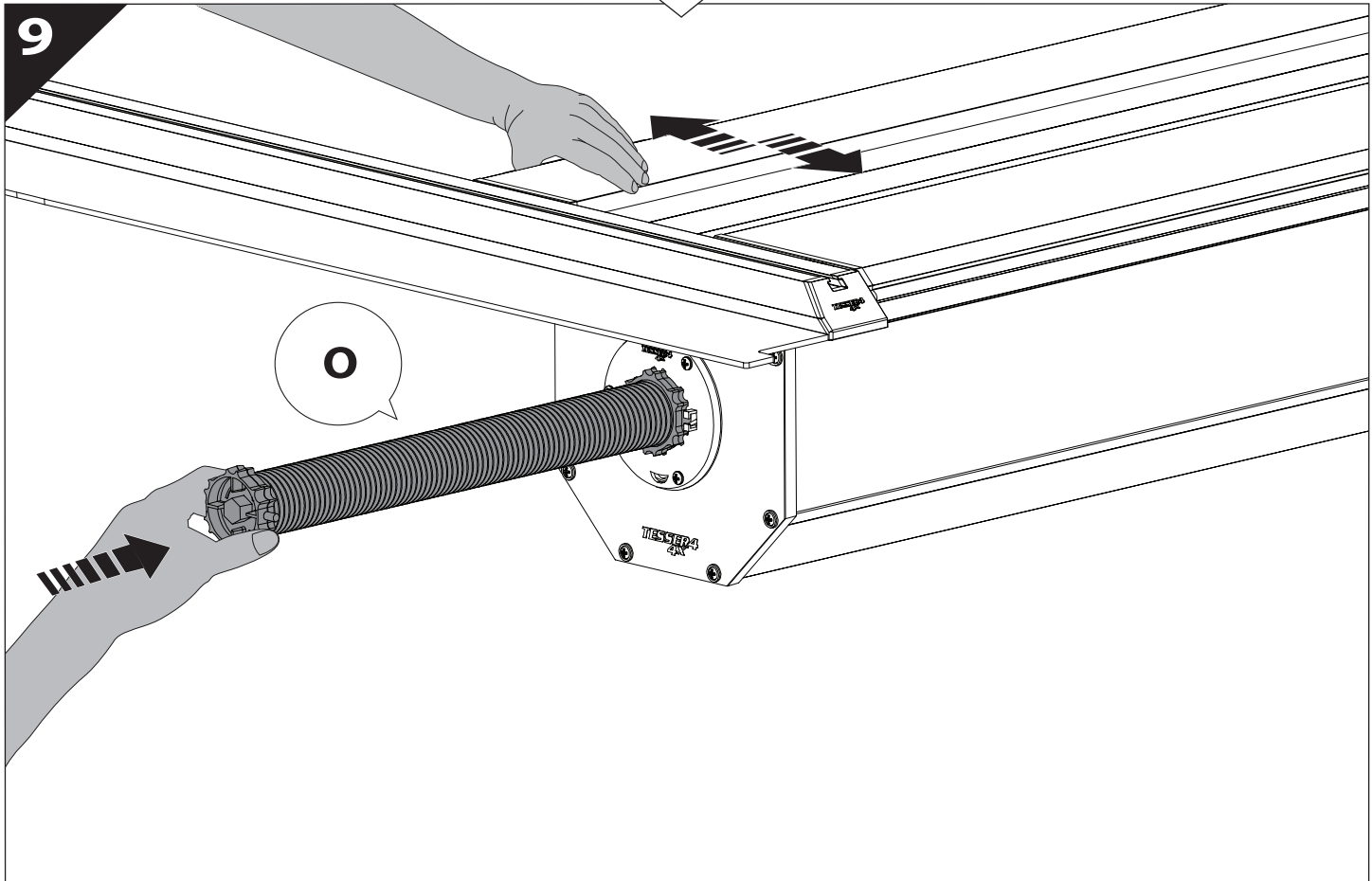
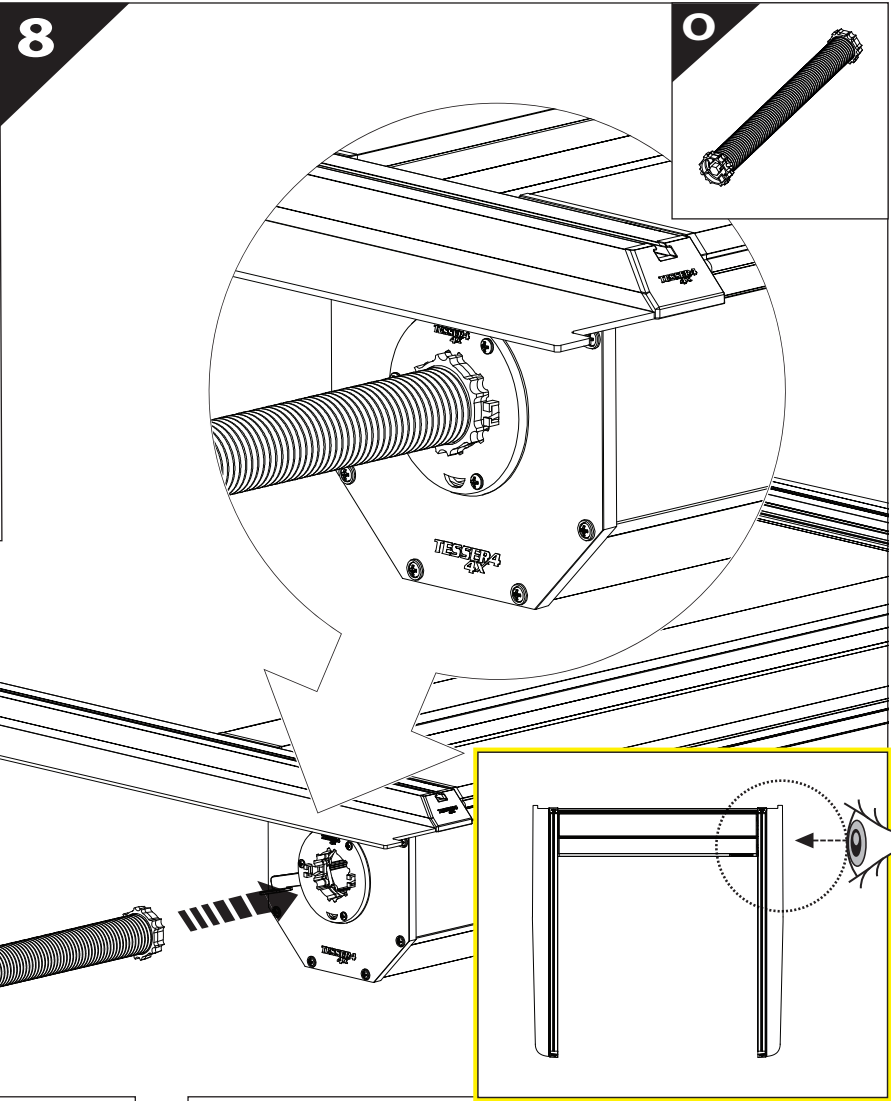
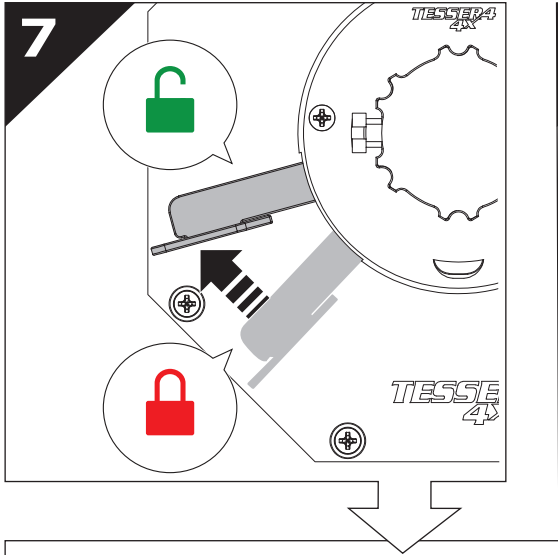
3

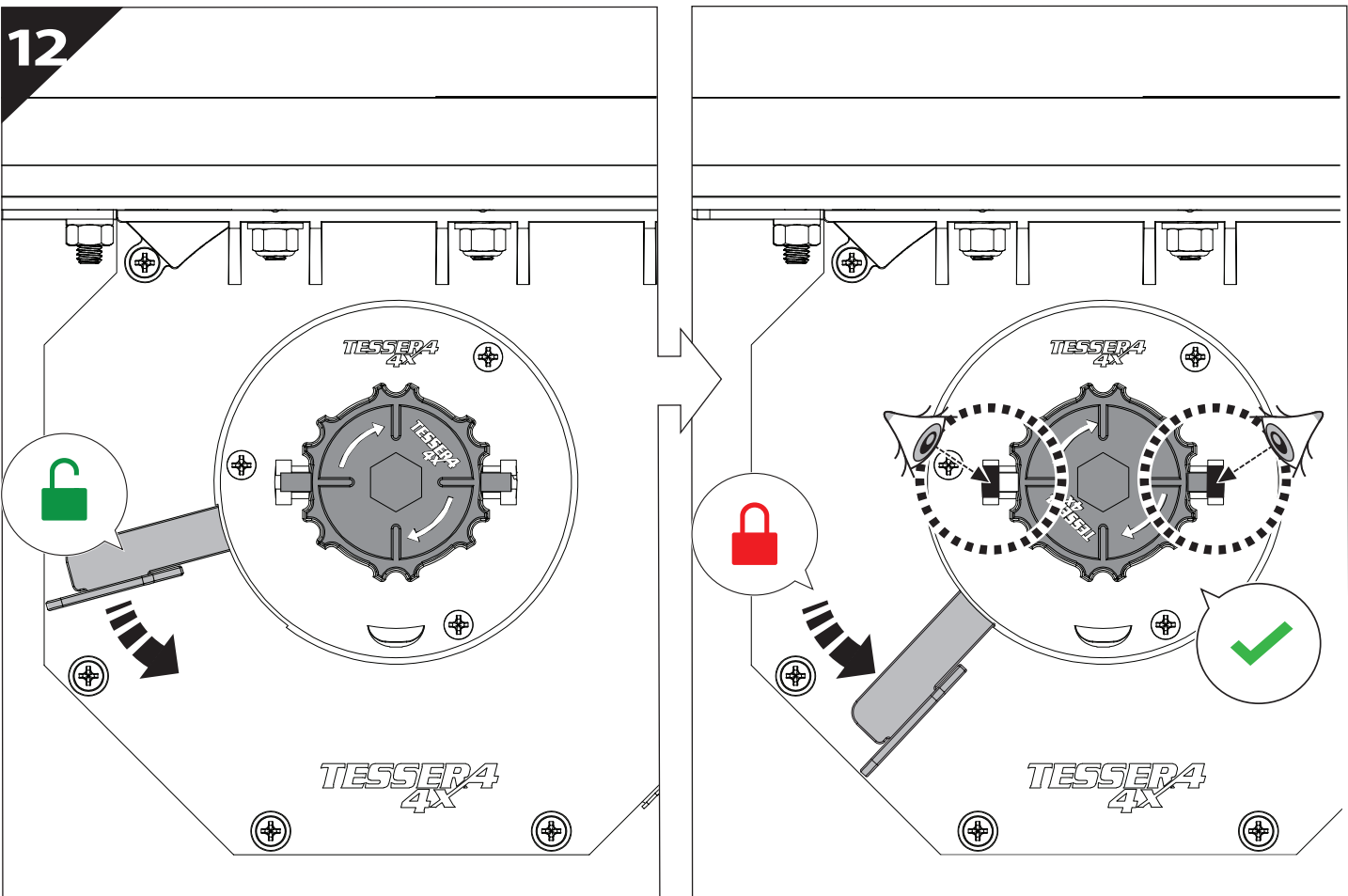
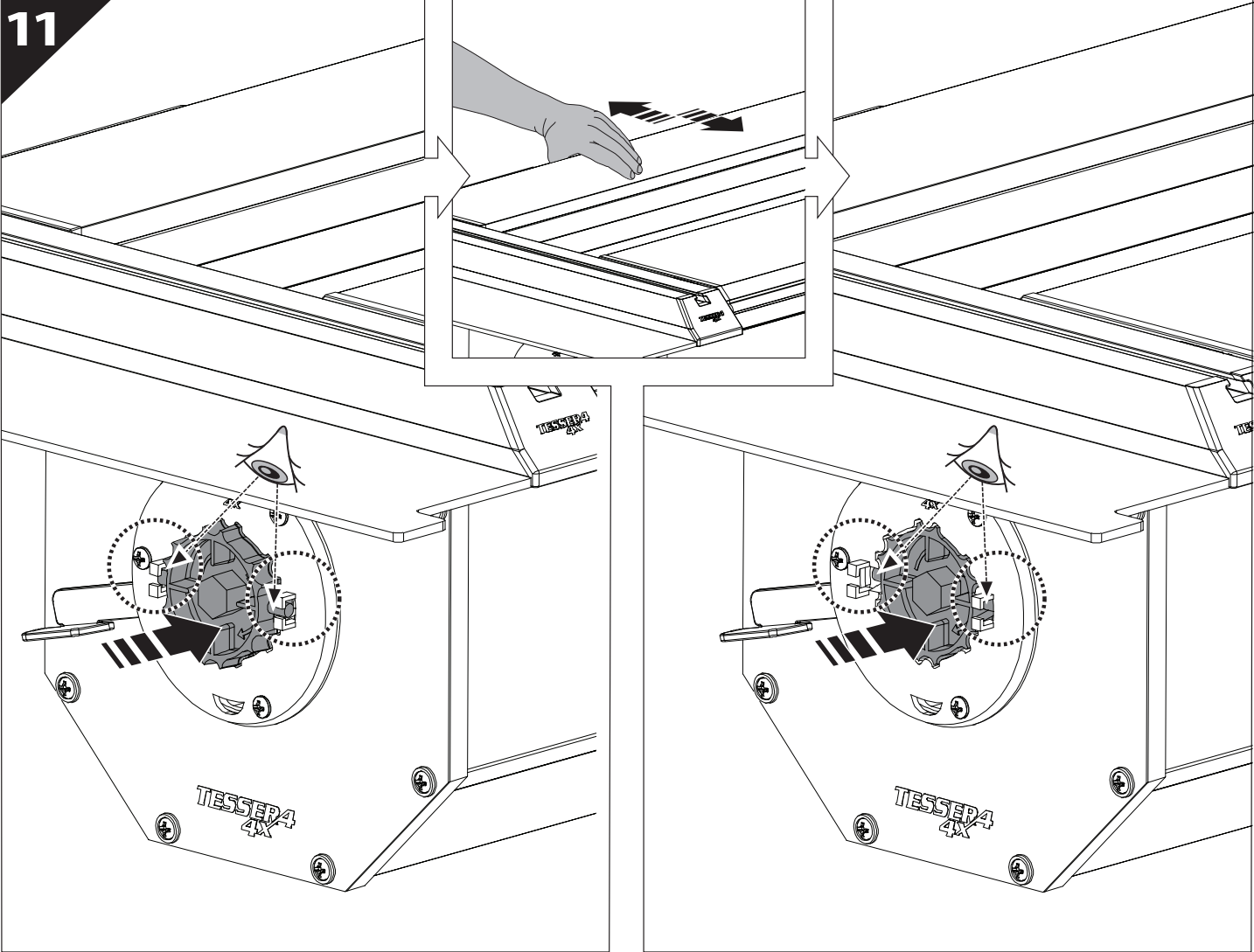


4

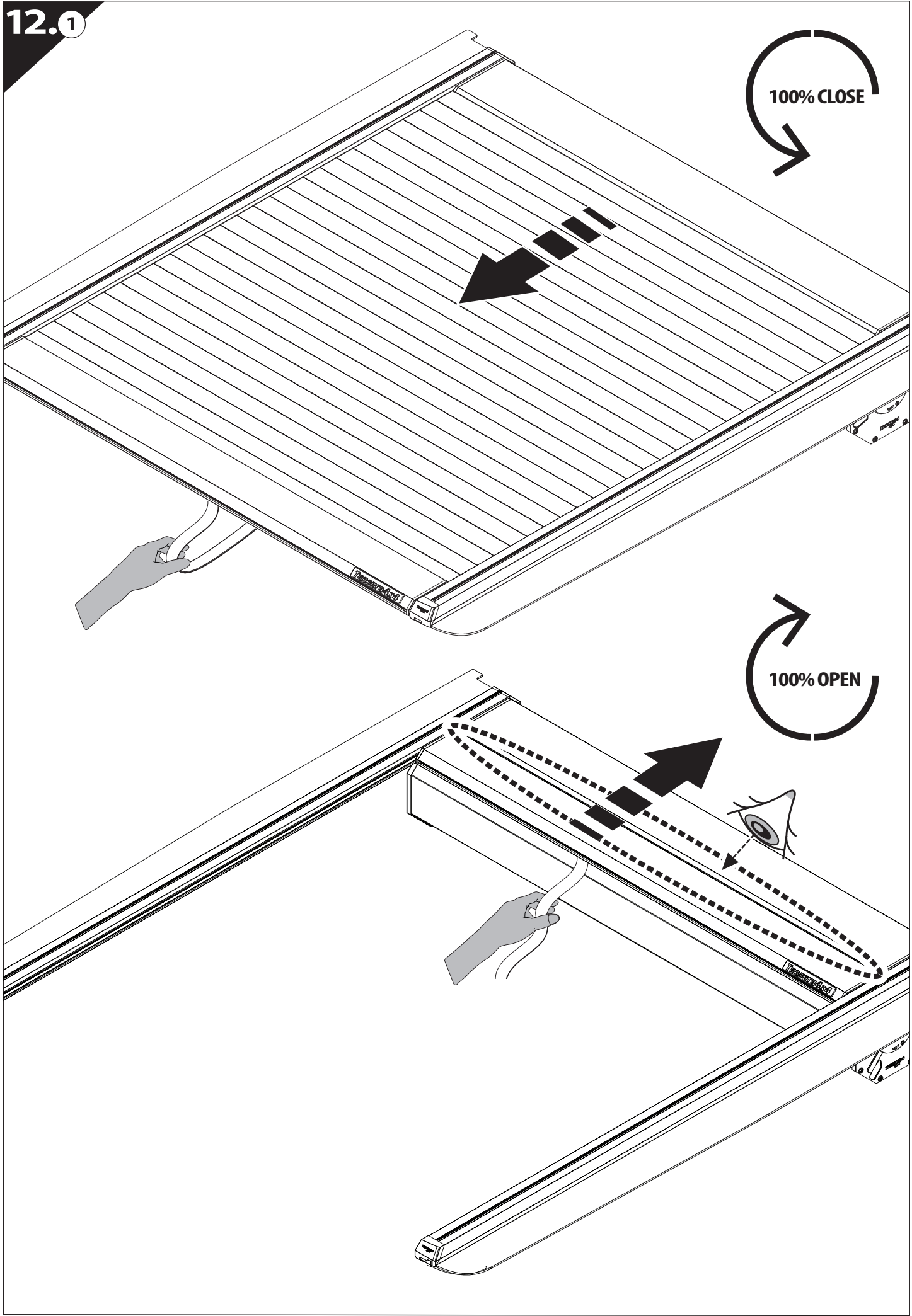




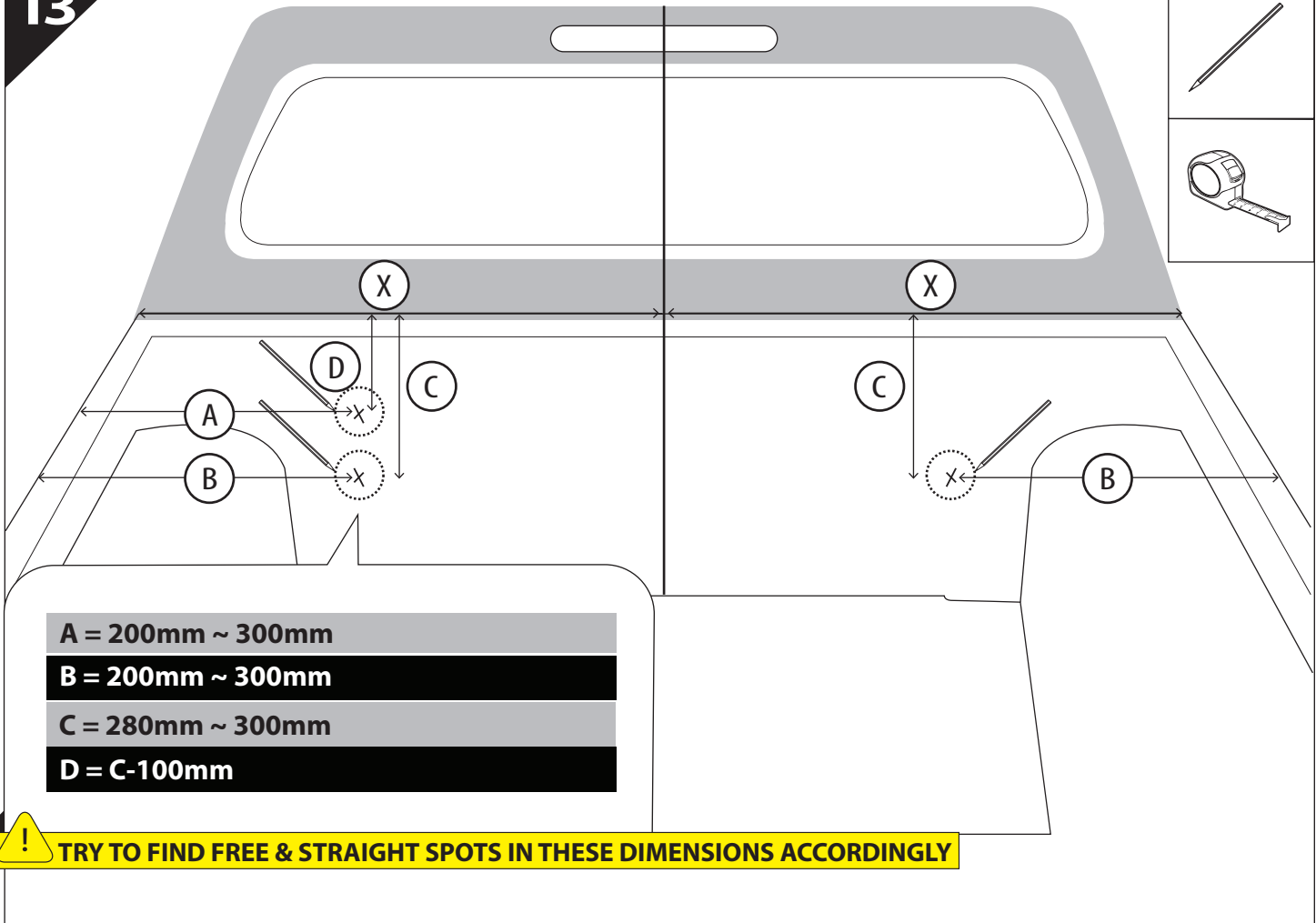
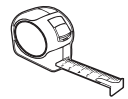




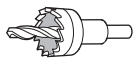
12.0



13



14

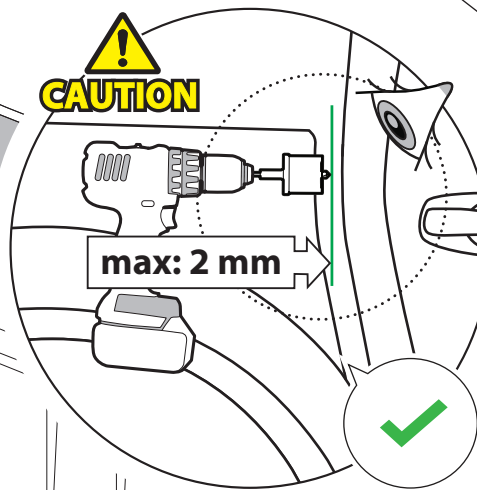


Ø 25 mm

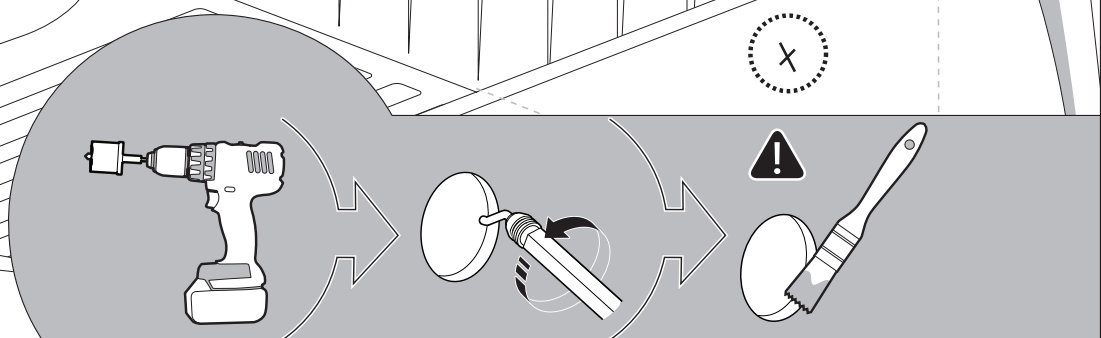
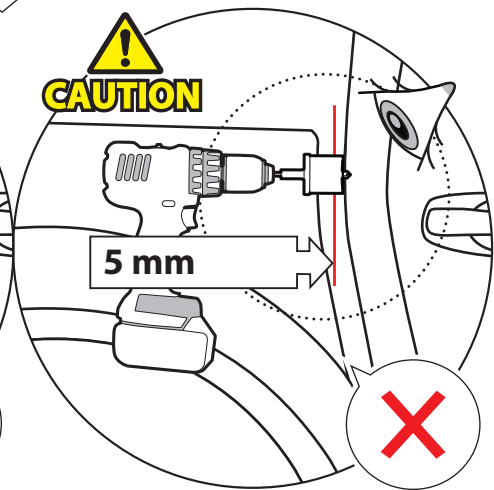


Rust Protection

! CAUTION

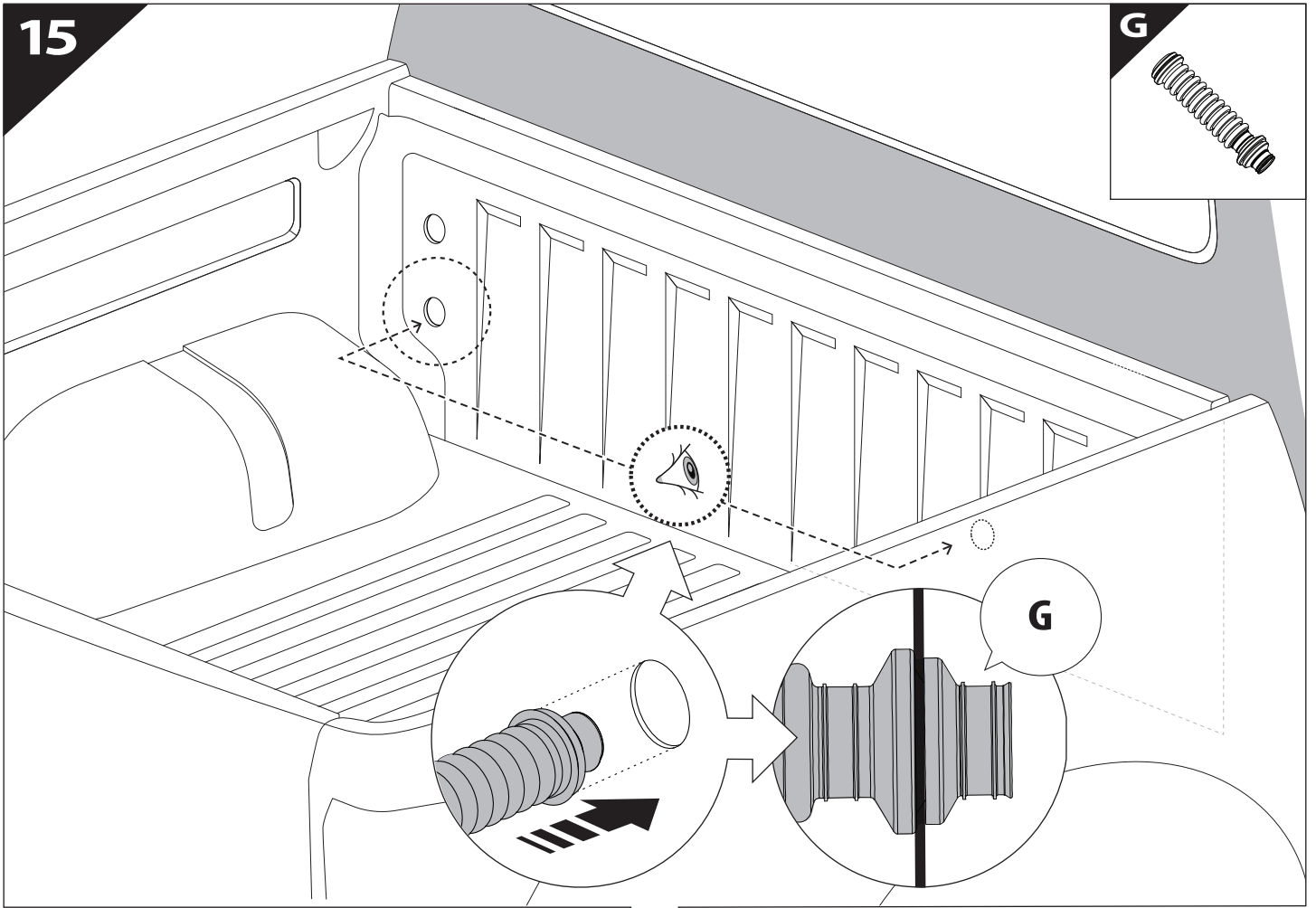


! CAUTION



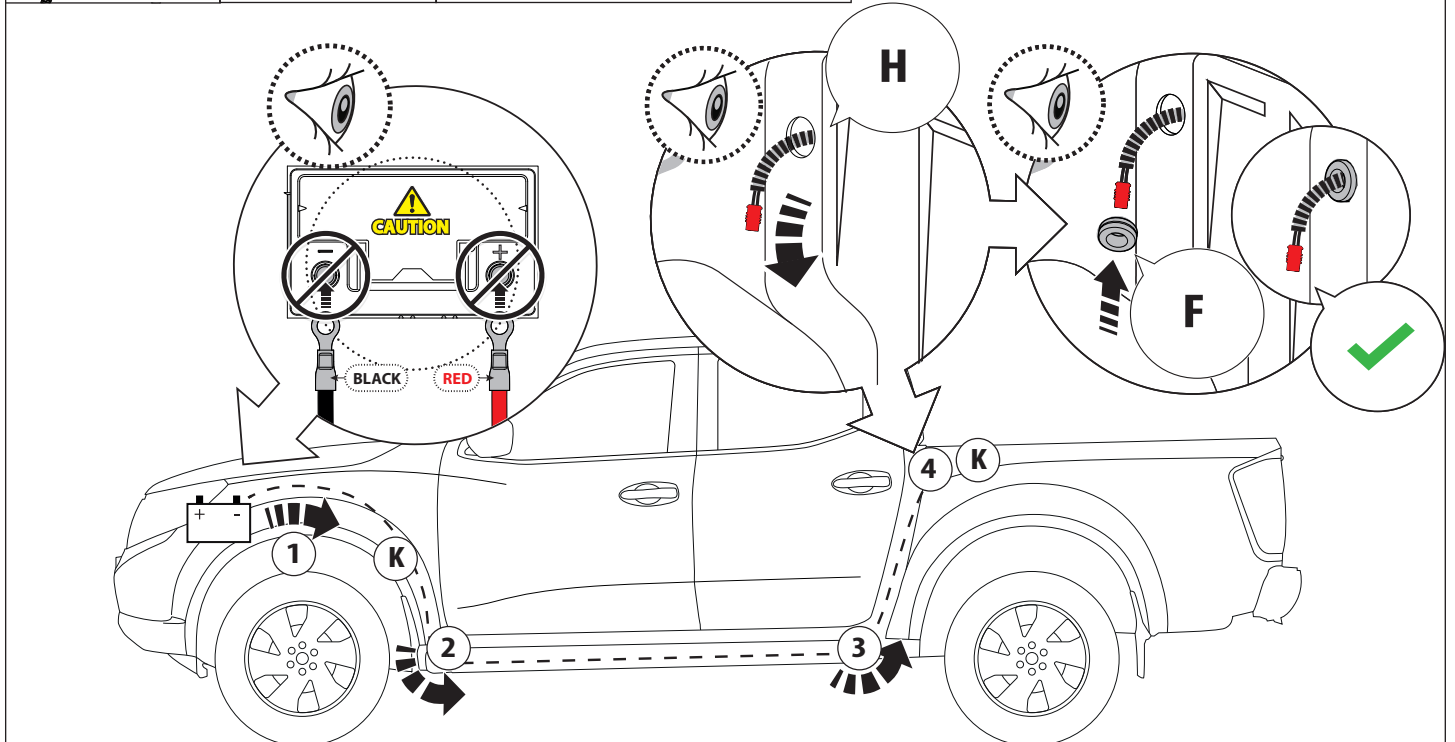
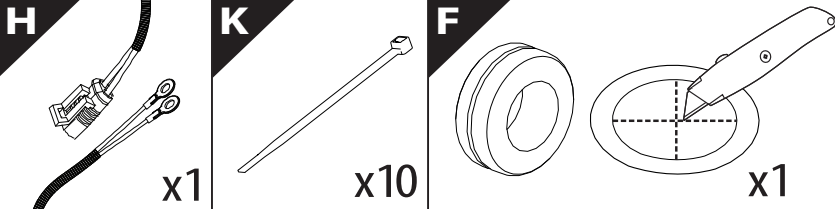
15

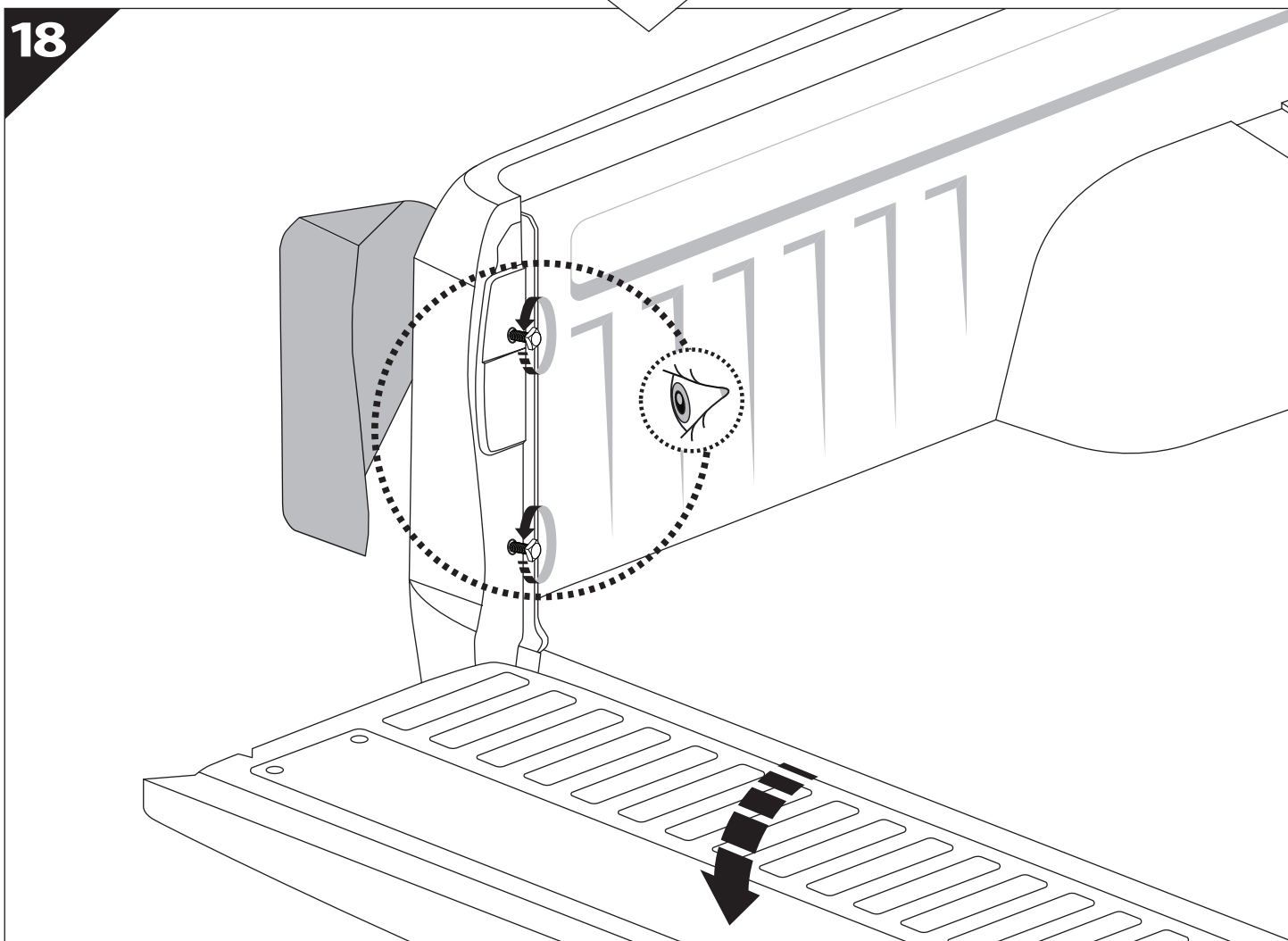
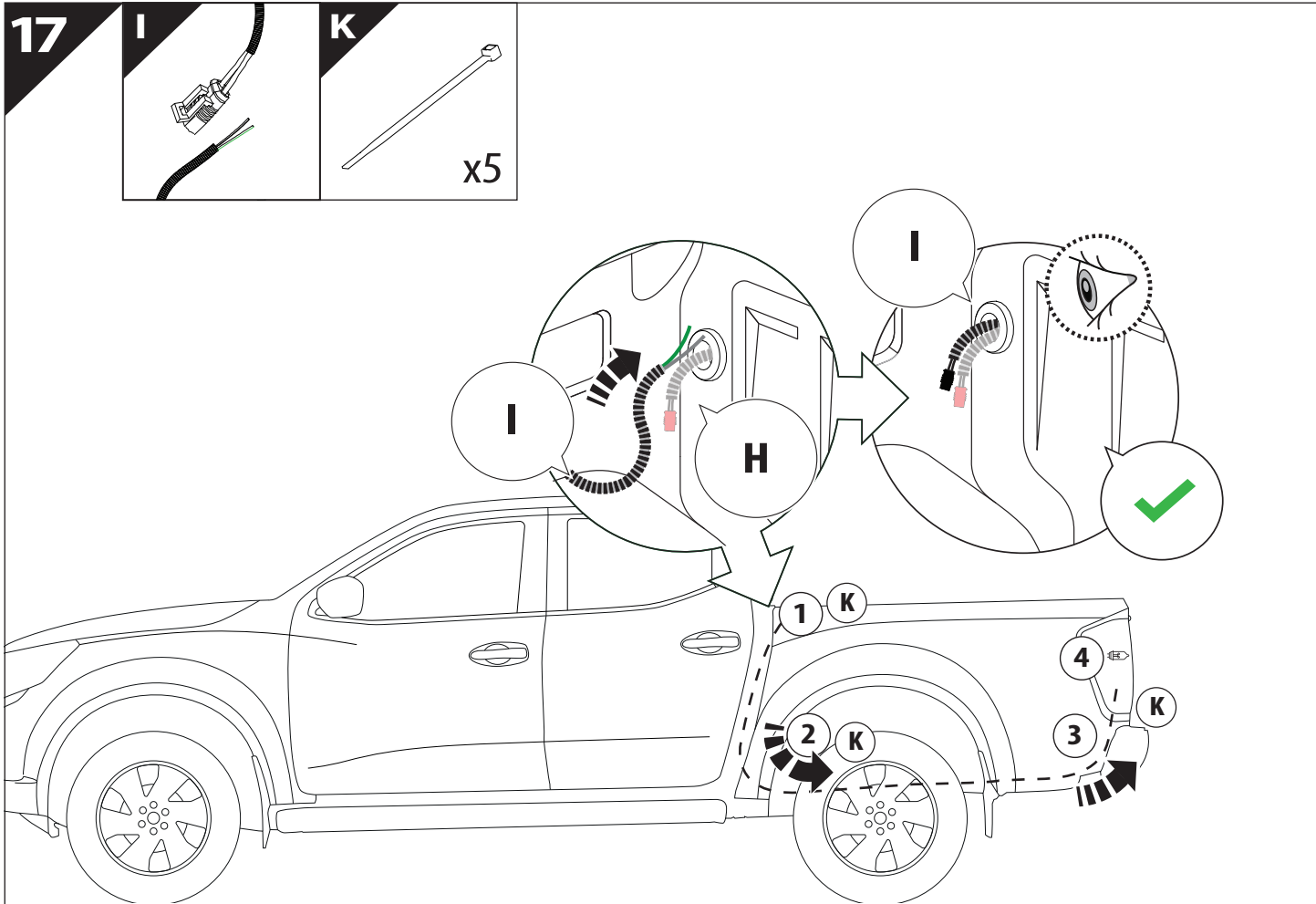
G



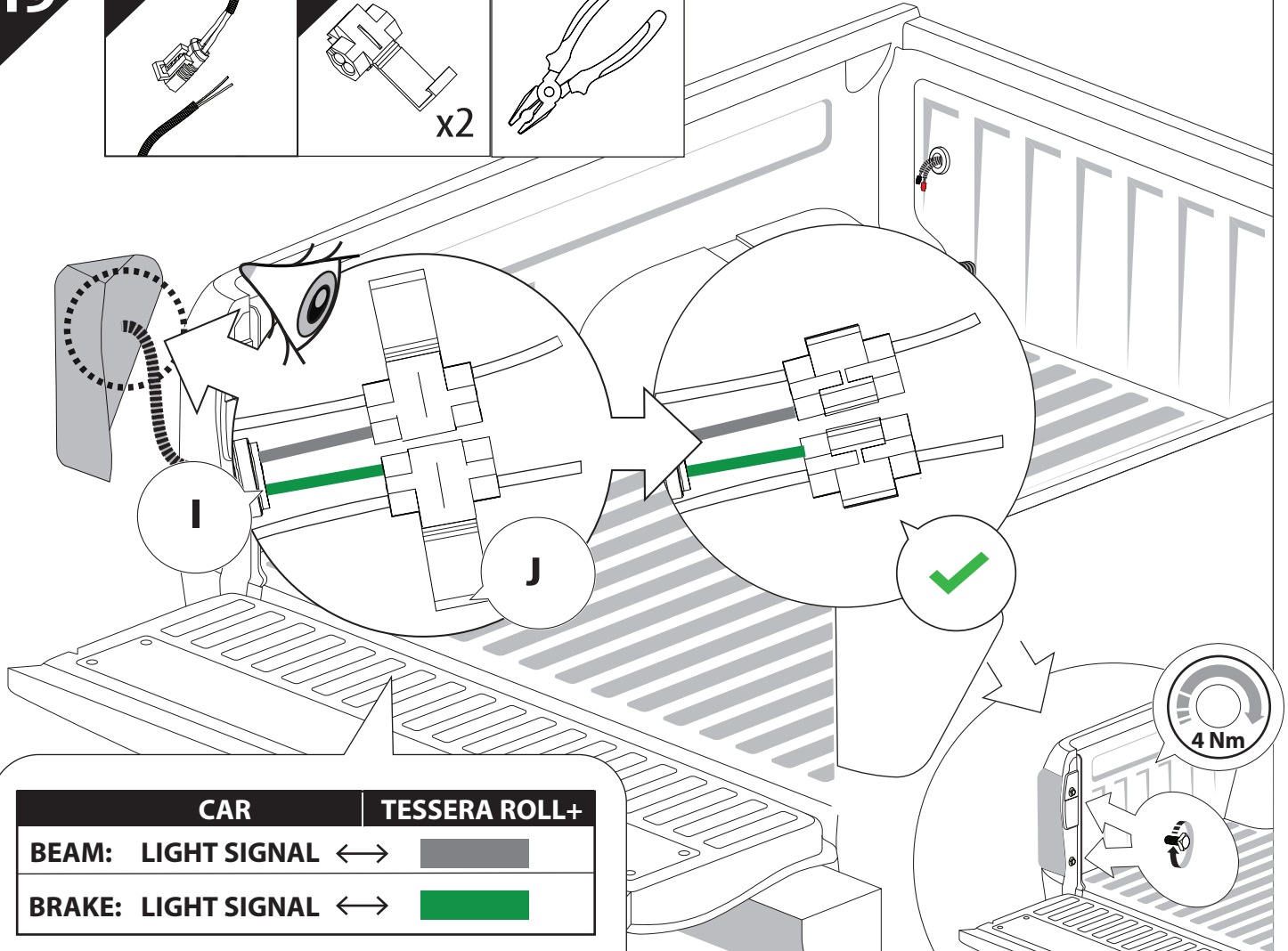
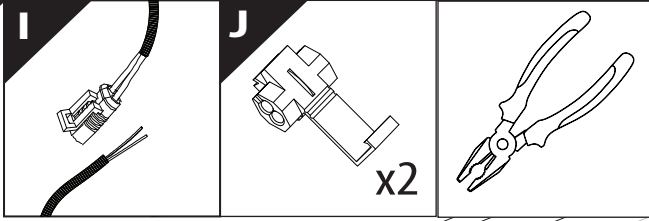
16

Only to be installed by authorized personnel





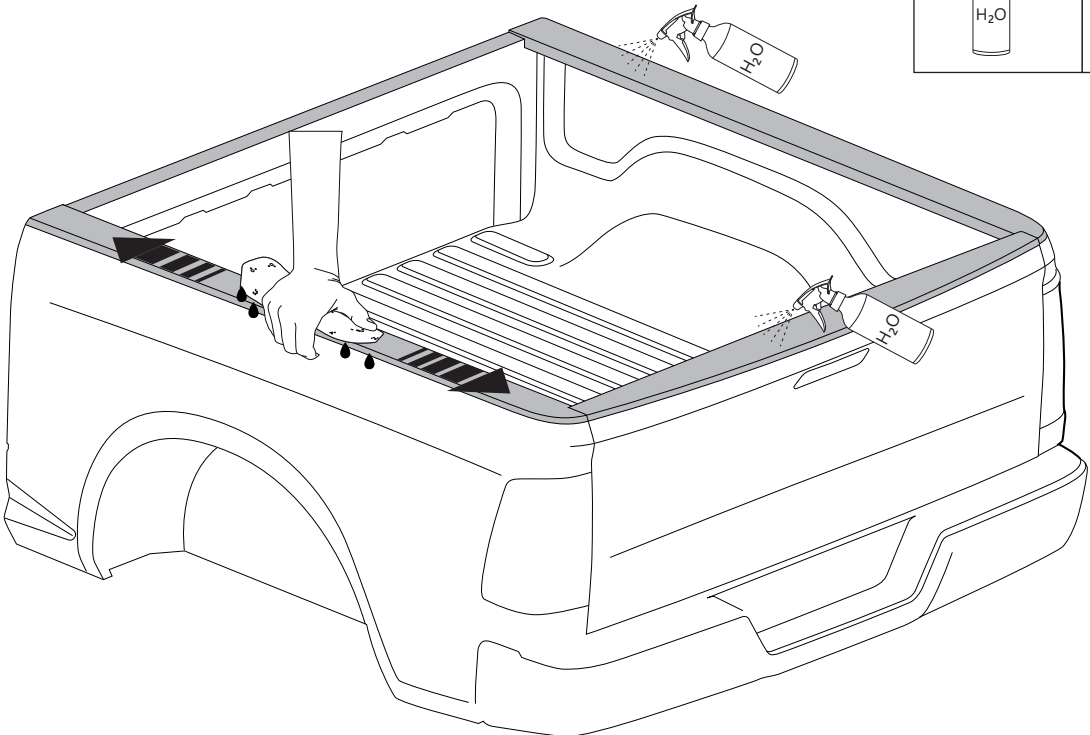
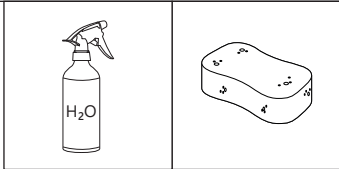
19

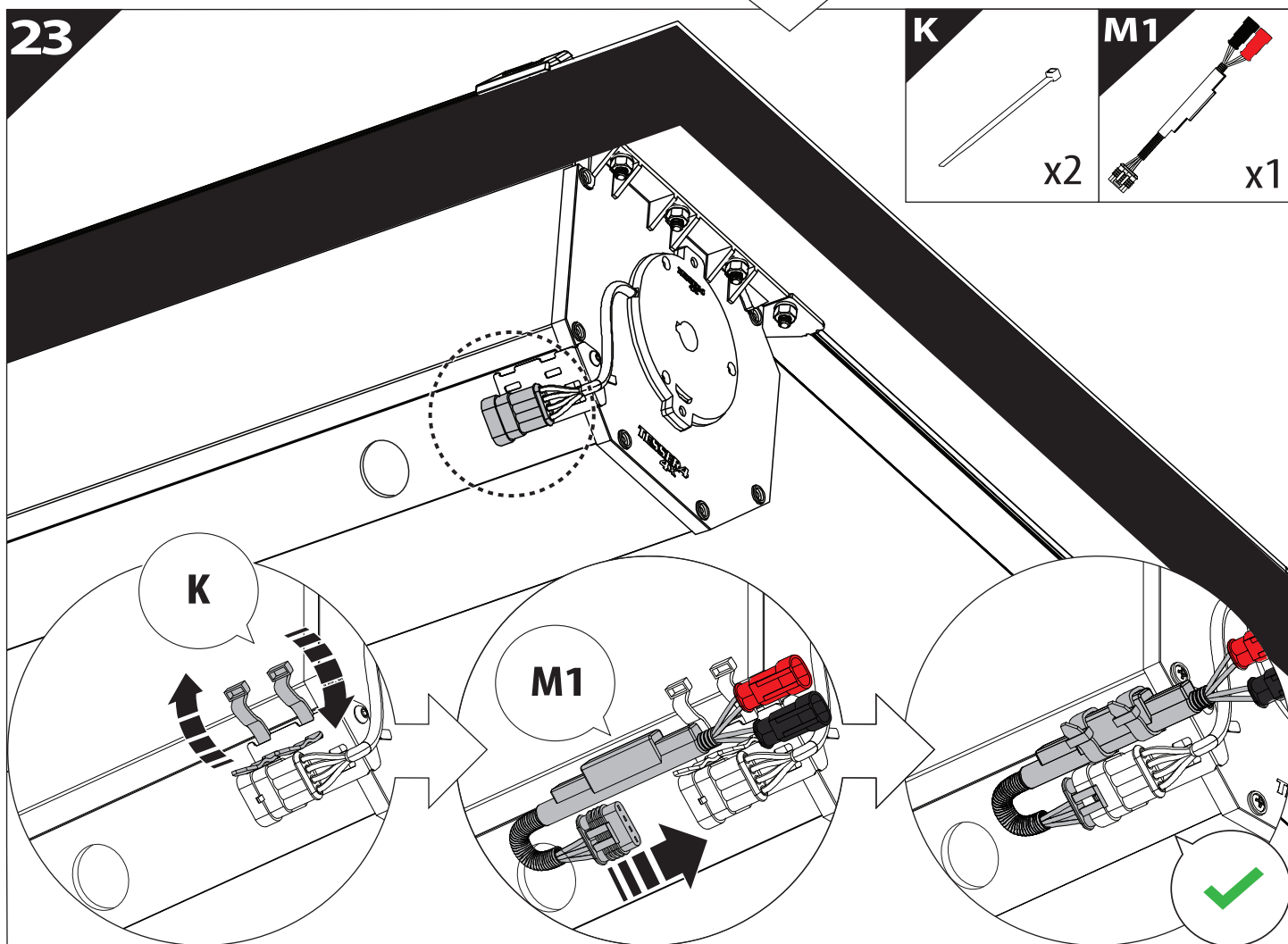
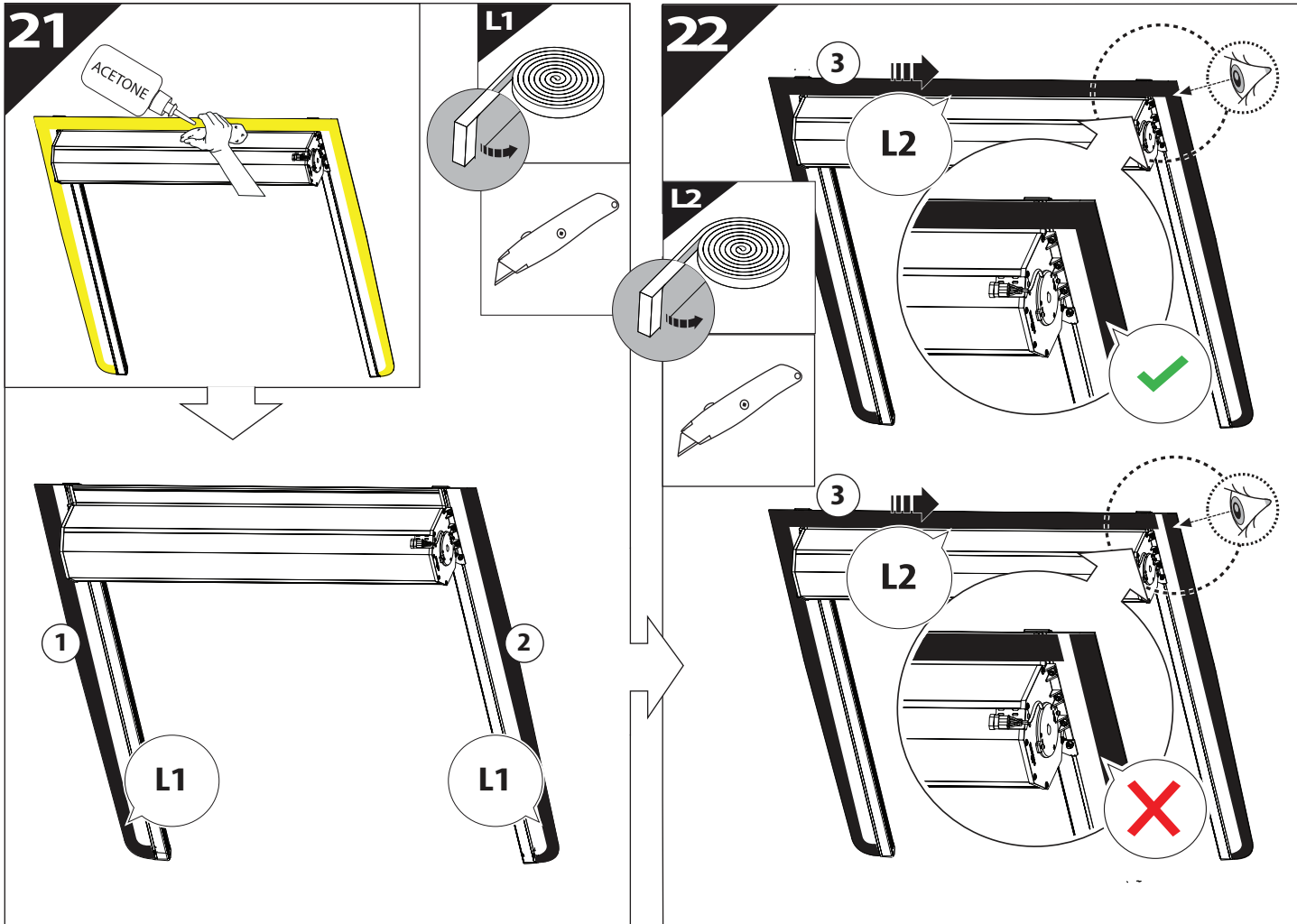


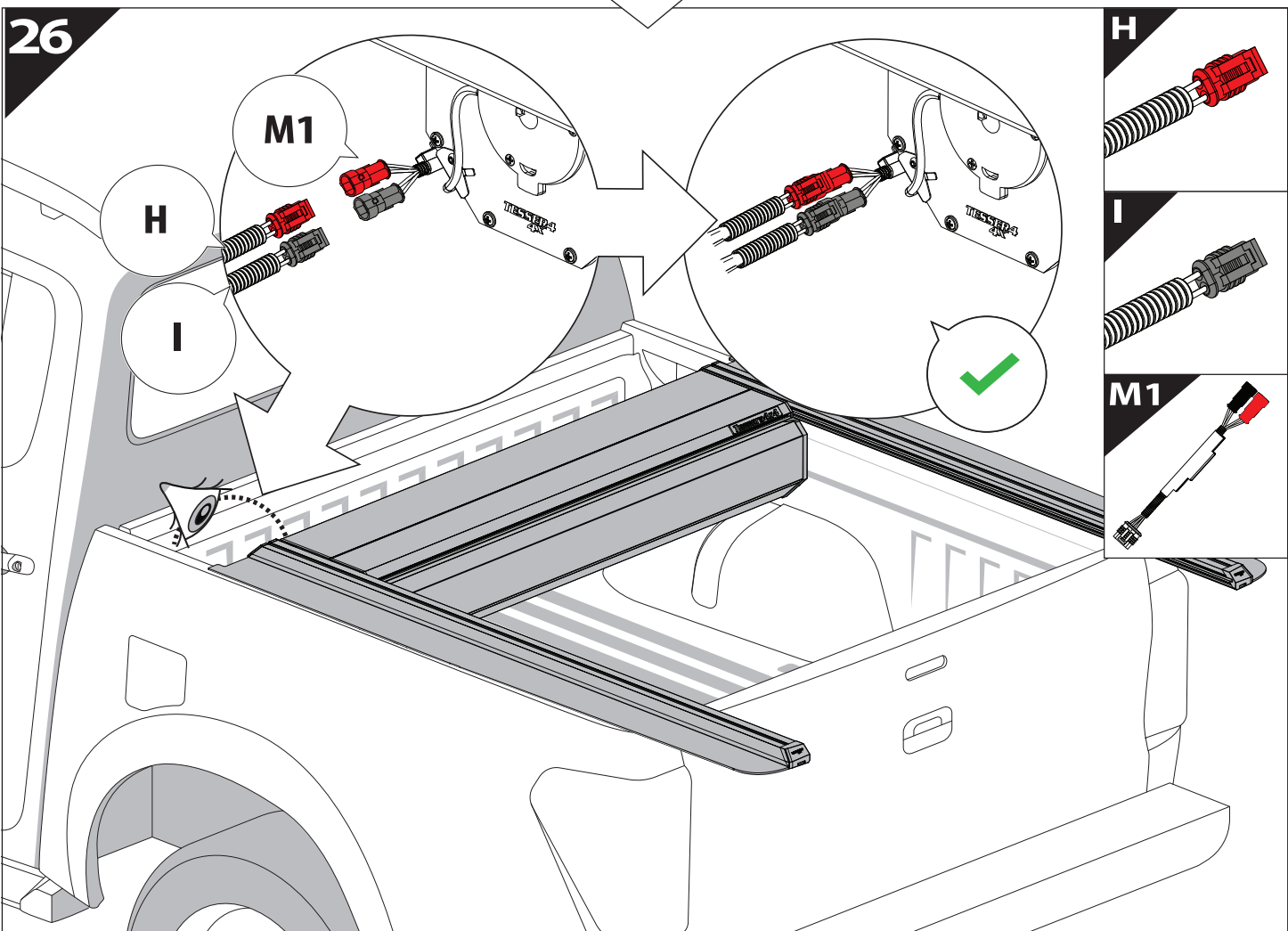
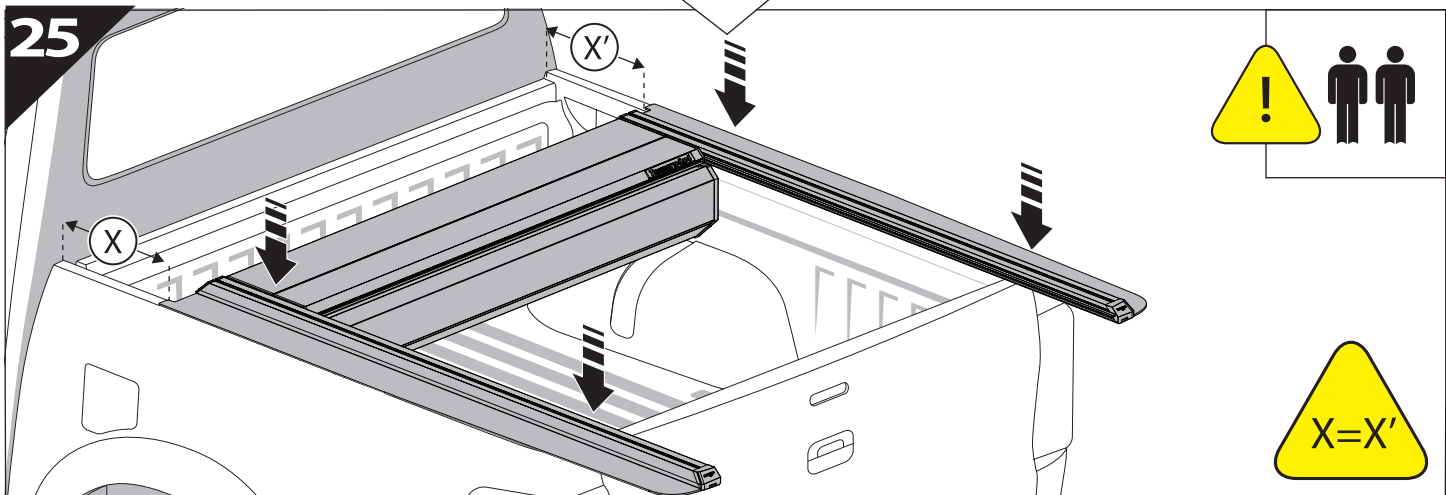
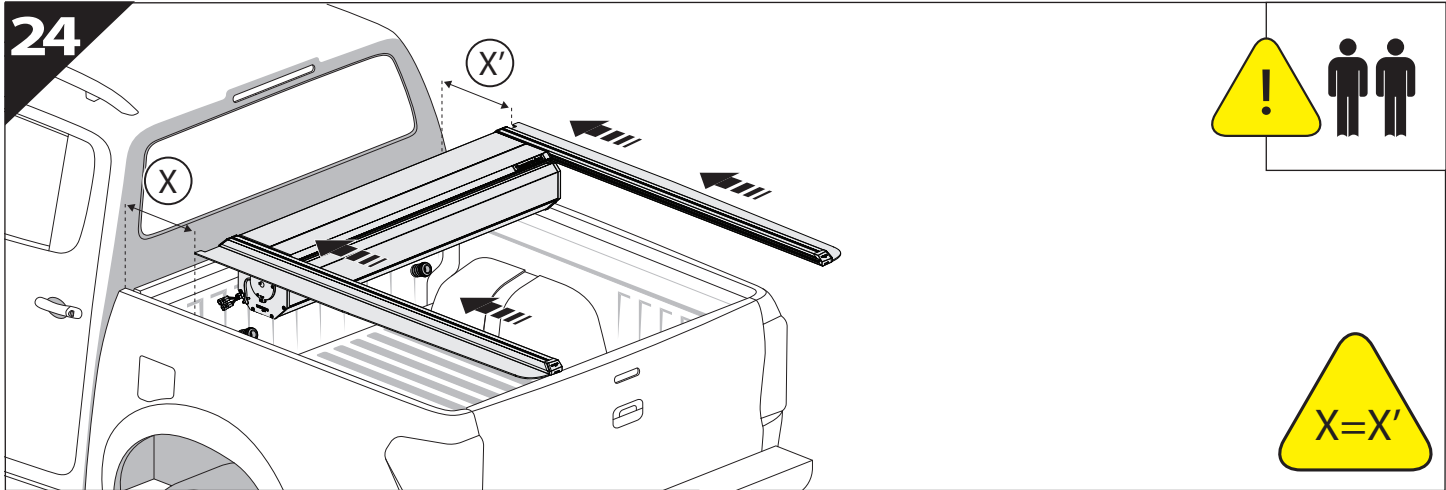
CAR	TESSERA ROLL+
BEAM: LIGHT SIGNAL ↔	
BRAKE: LIGHT SIGNAL ↔	

CAUTION: CONSULT A CERTIFIED AUTO MECHANIC OR AUTOMOTIVE ELECTRICIAN TO IDENTIFY THE CORRECT WIRING CABLES FOR BEAM AND BRAKE SIGNALS BEFORE MAKING ANY CONNECTIONS.

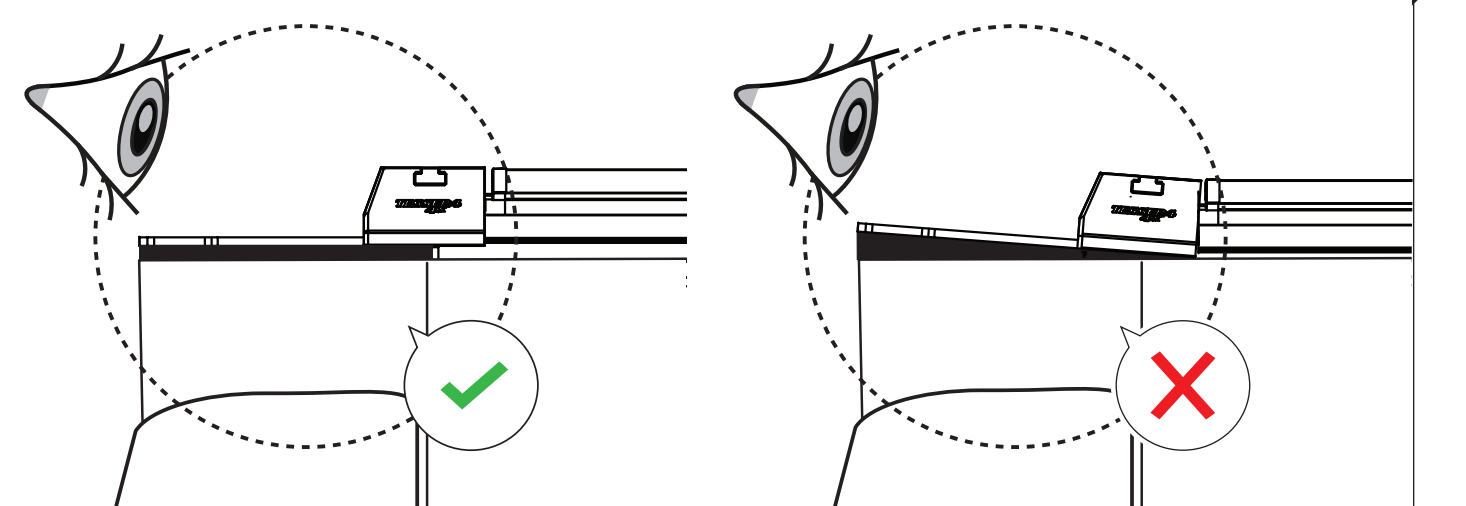
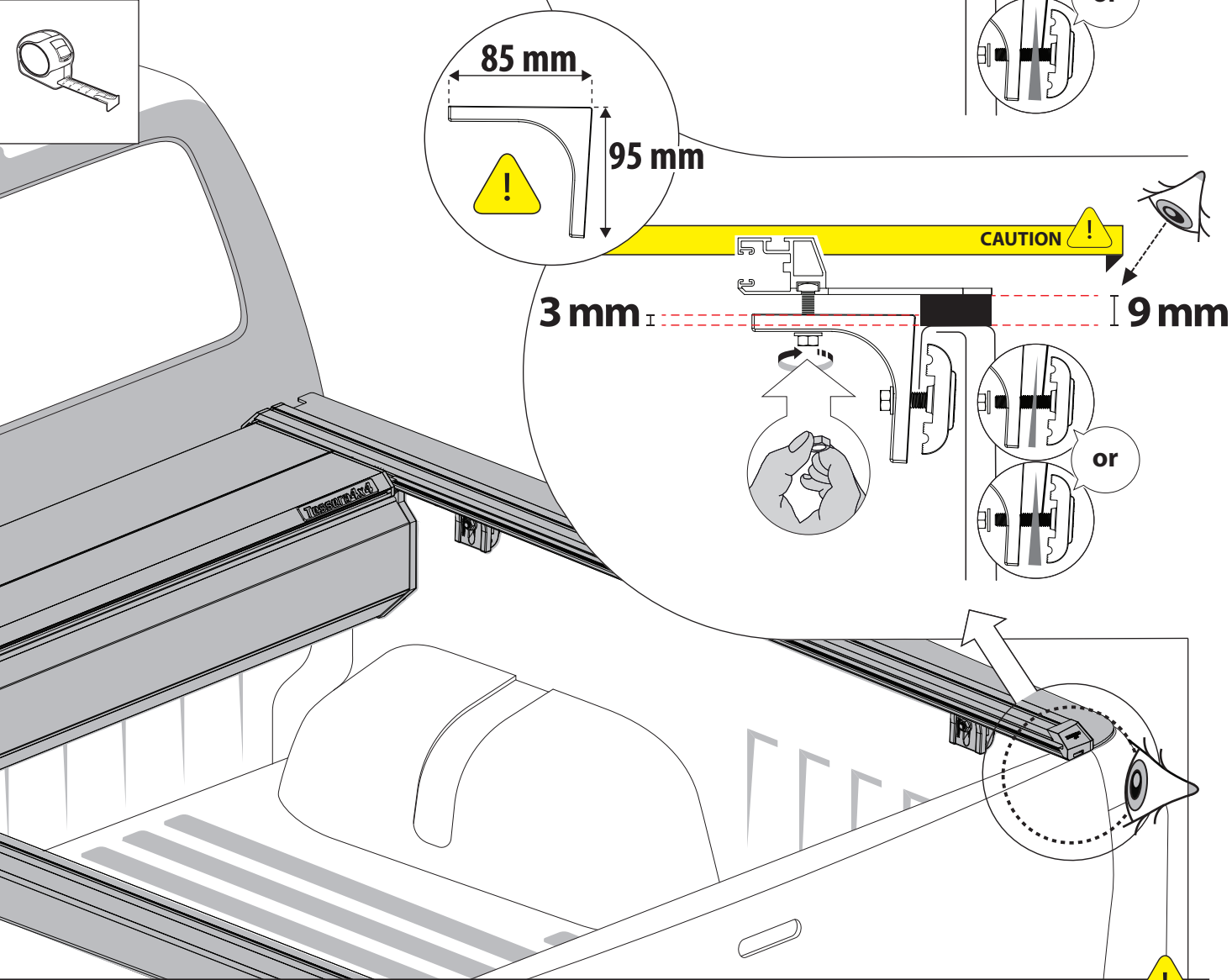
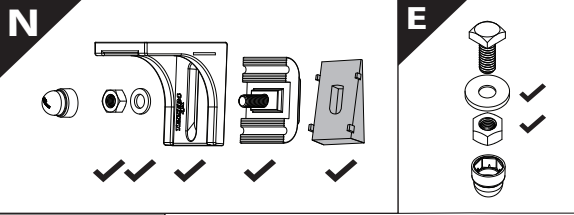
20

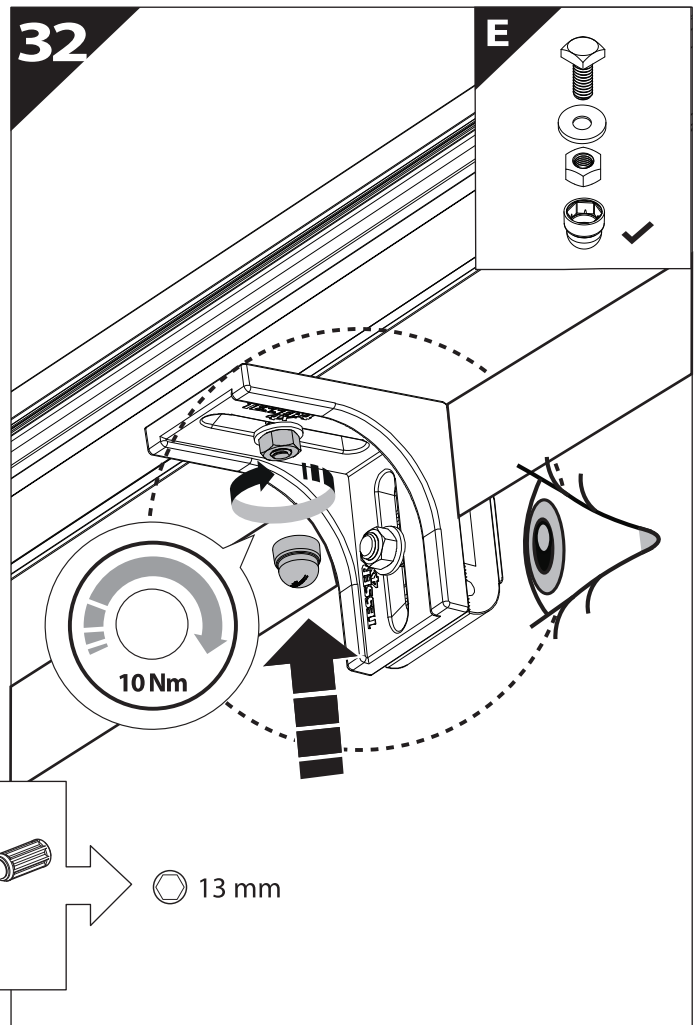
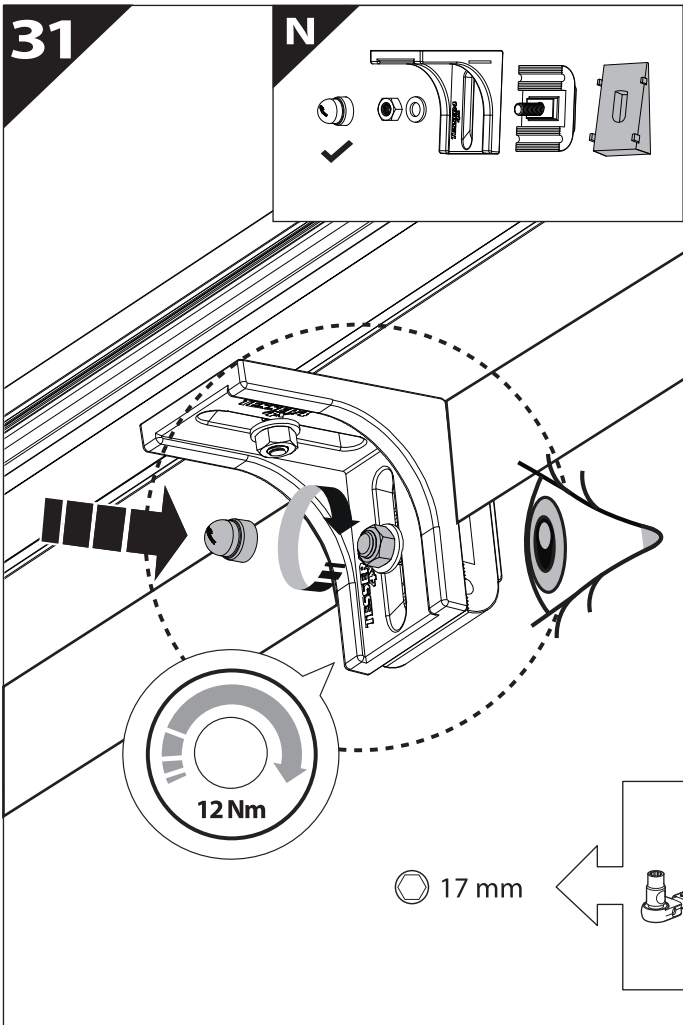




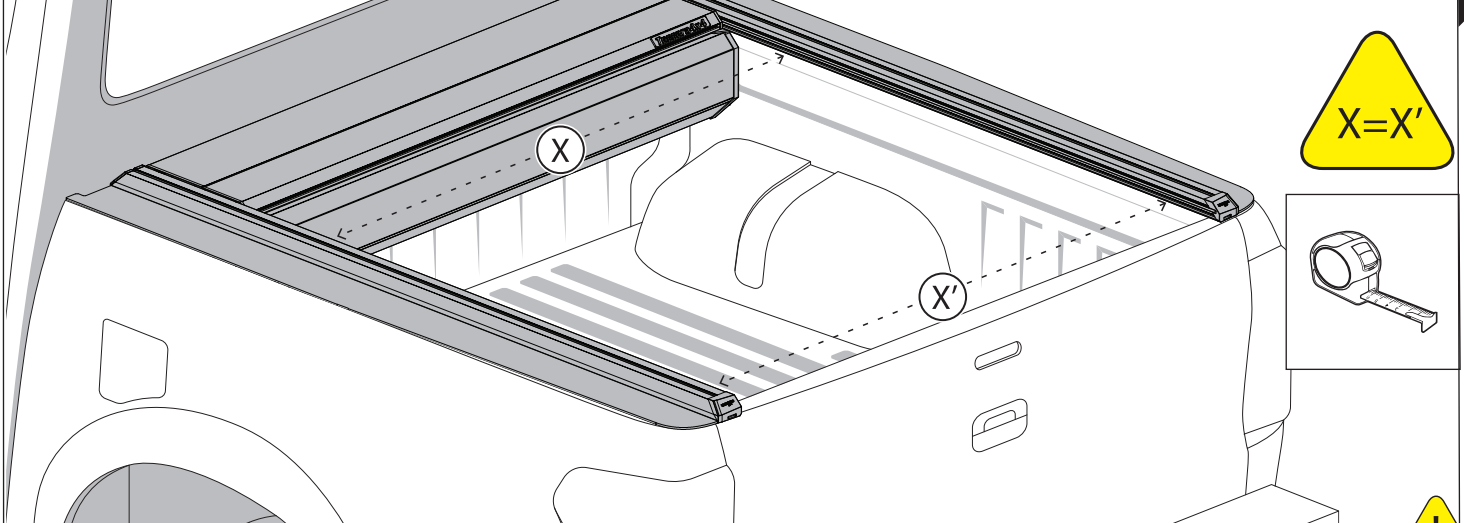


30

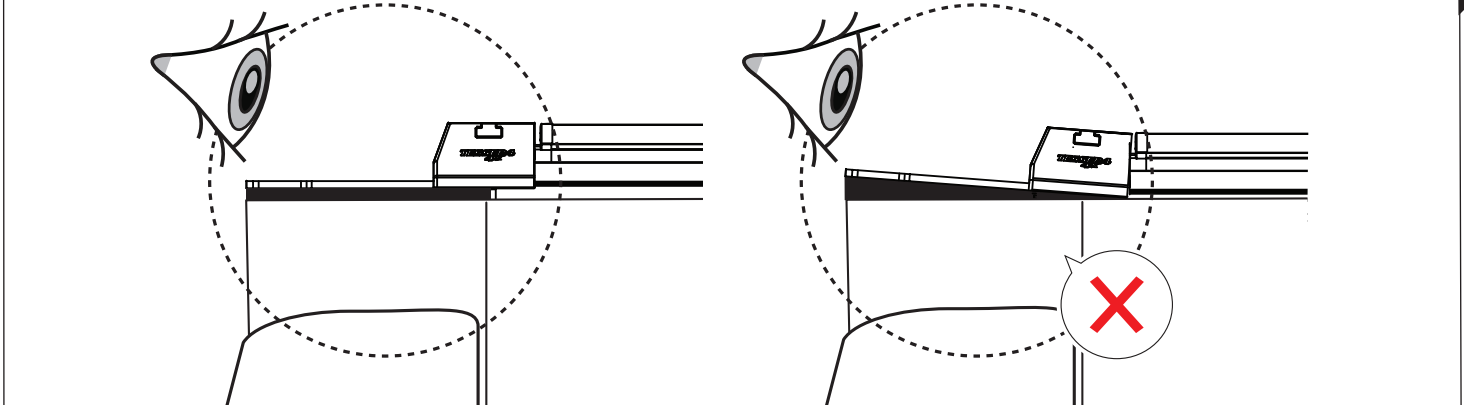




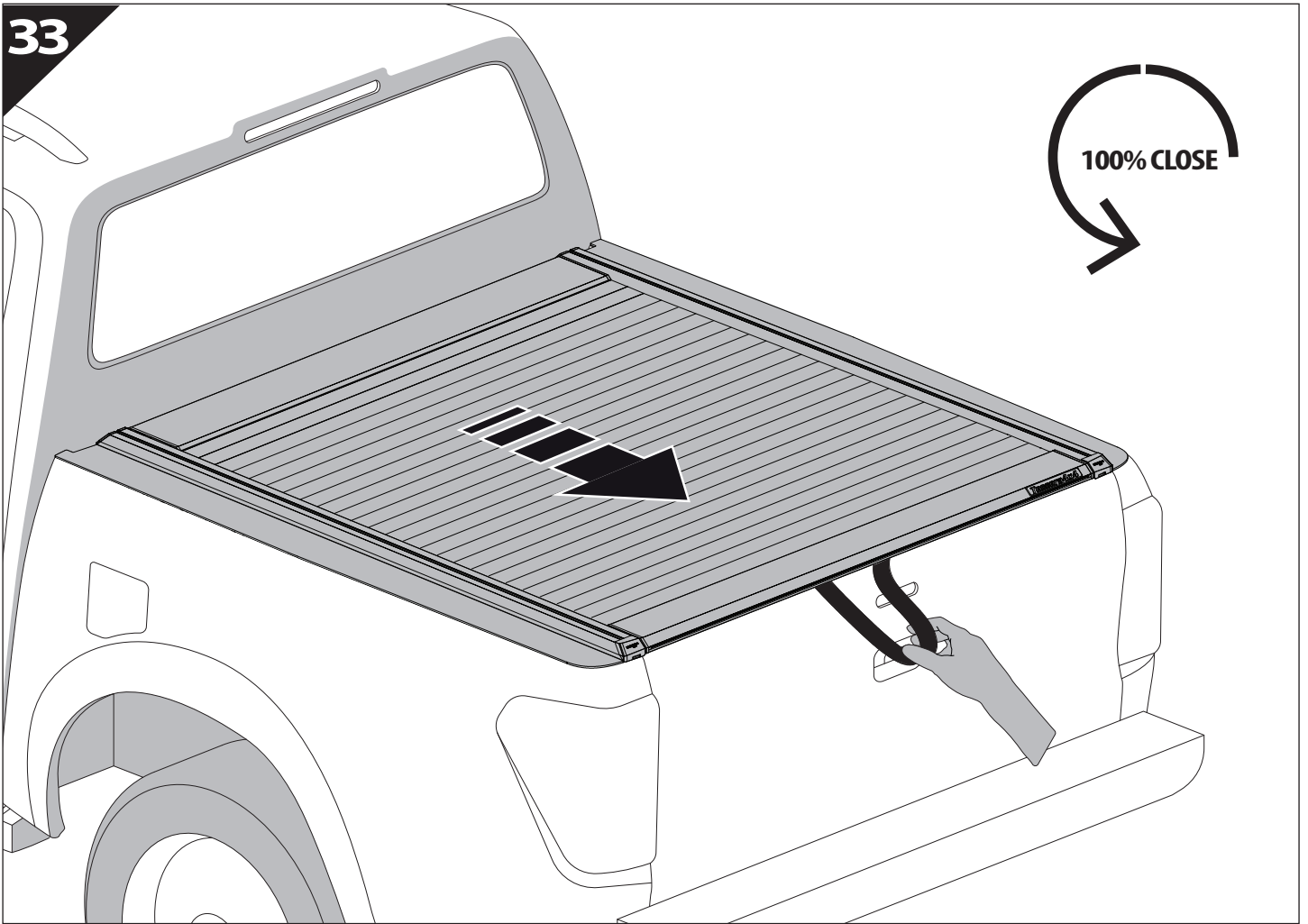
CAUTION !



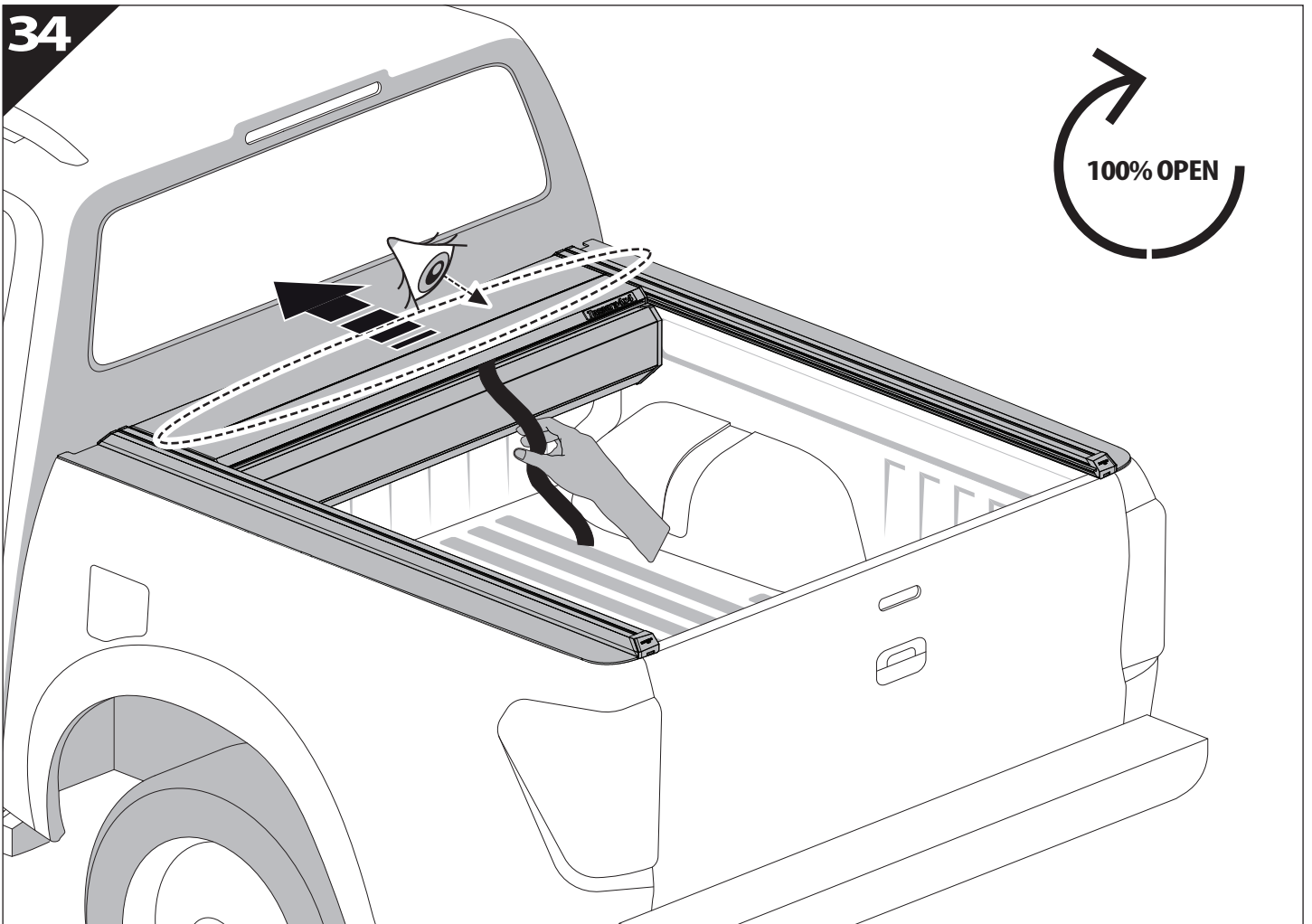
CAUTION !



33



34





GR: Οδηγίες Εγκατάστασης
GB: Installation manual
SF: Asennusohje
F: Notice de montage
PL: Instrukcja montażu
NL: Installatie-instructies
TR: Montaj Talimatı
S: Monteringsanvisning
E: Instrucciones de montaje

H: Szerelési utasítás
P: Instruções de instalação
RUS: Инструкция по установке
N: Monteringsveiledning
D: Einbauanleitung
CZ: Návod k instalaci
I: Istruzioni de montaggio
DK: Monteringsvejledning
RO: Instructiuni de instalare

Customer Service:

+30 (210) 5541161, +30 (210) 5541154 (08:00 - 16:00 EET)

Support department:

info@gianso.gr

Website:

www.tessera4x4.com

Address:

19.5 km of National road Athens-Korinthos (Elefsina) Greece, P.C: 19200