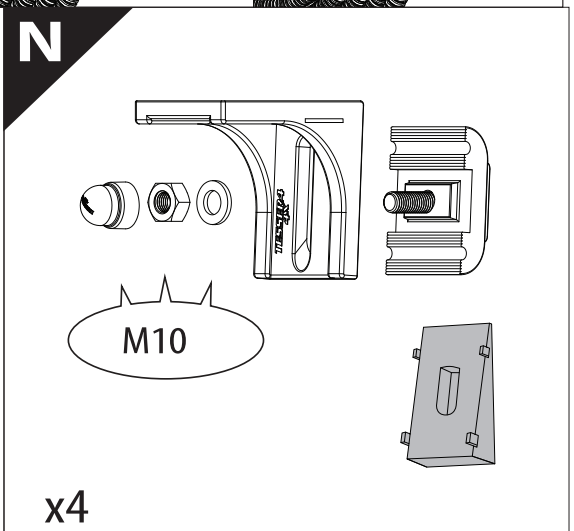
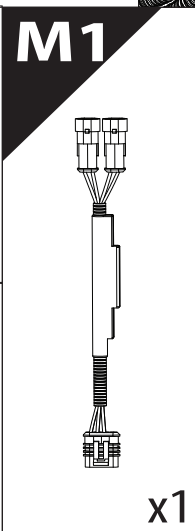
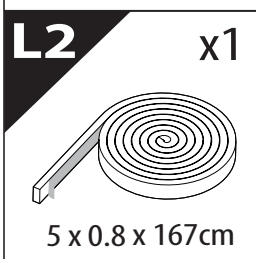
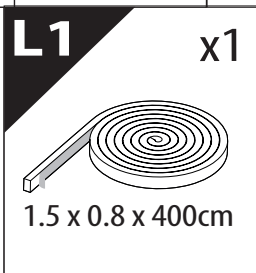
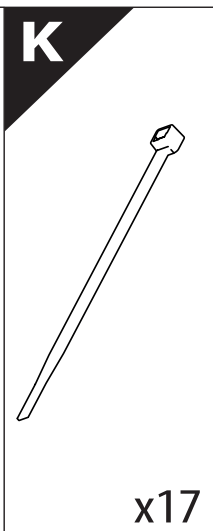
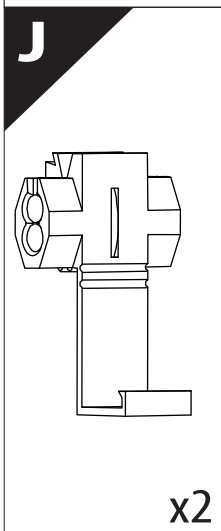
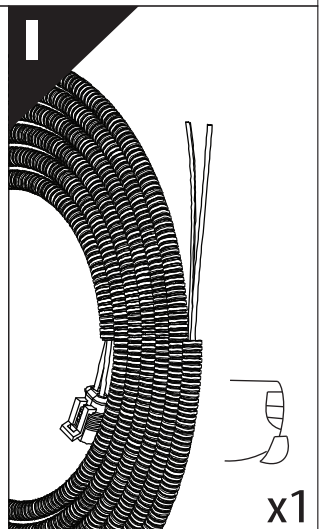
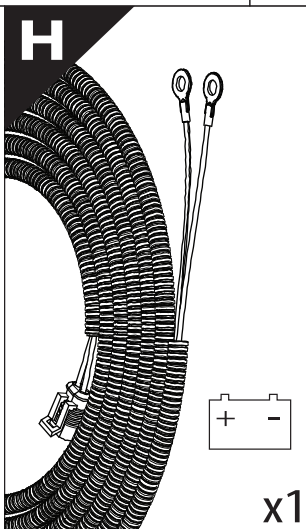
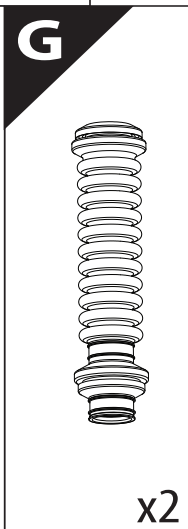
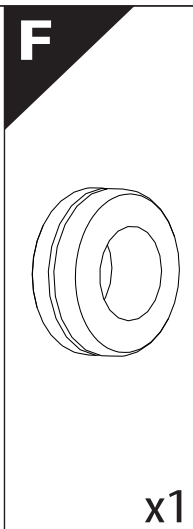
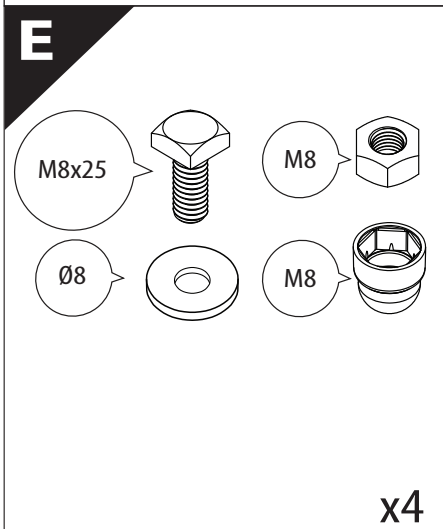
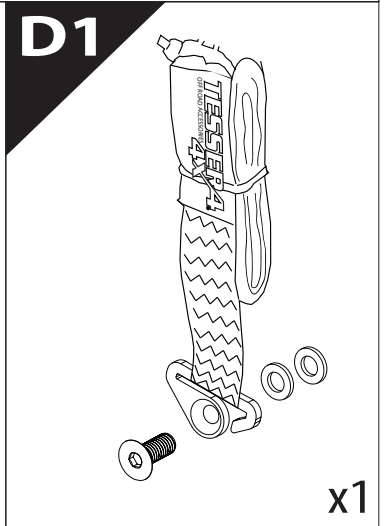
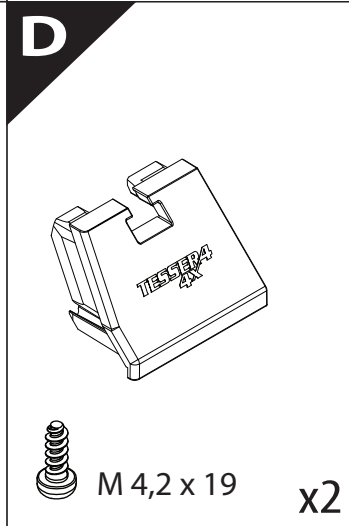
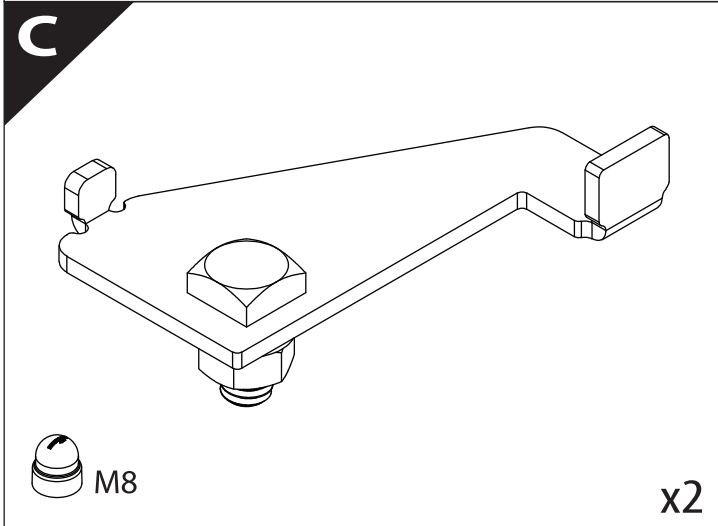
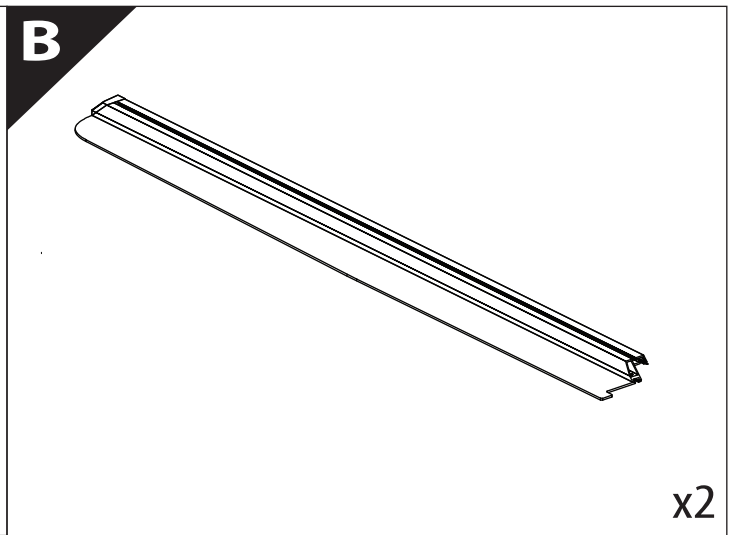
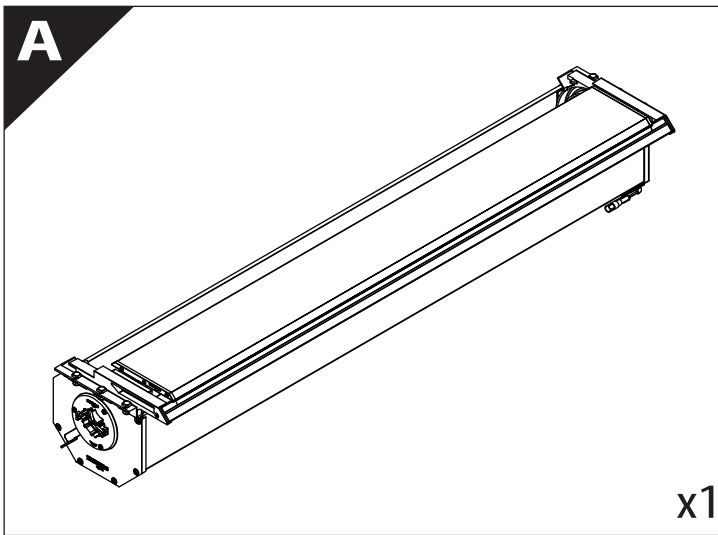


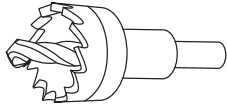


# Installation Manual

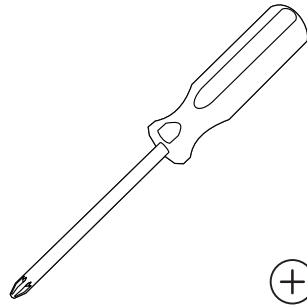
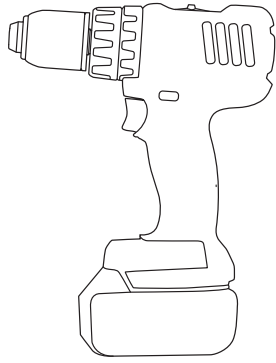
PART NUMBER(S)	Model Year
TESS 1442 ROLL	Mitsubishi L200 2024+ (No Tailgate Spoiler)
Cab(s)	Installation Time / Weight
Double Cab	40-60 minutes / 53-57 kg



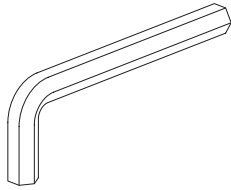
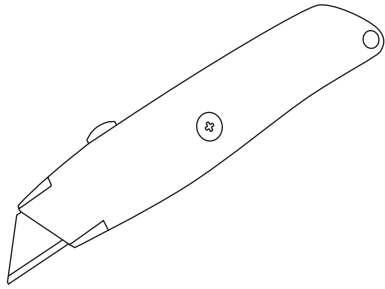
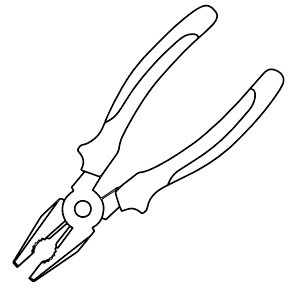




Ø 25 mm / Ø 40 mm

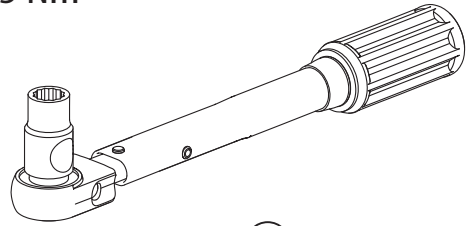


+



4 mm

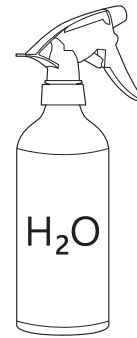
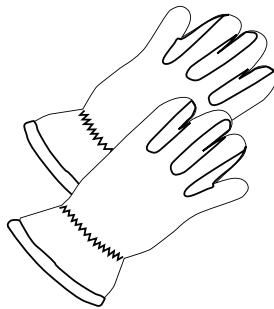
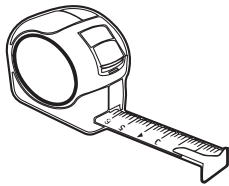
1 - 25 Nm



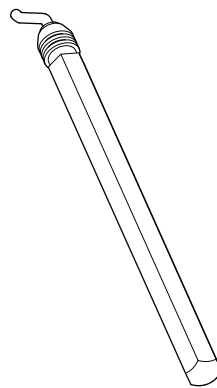
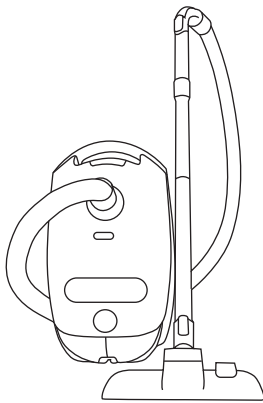
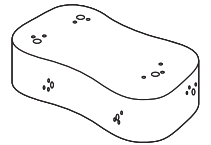
12, 13, 17 mm



ACETONE



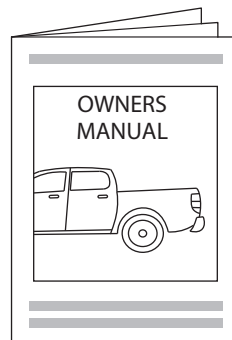
H<sub>2</sub>O



ANTI-RUST



INSTALLATION  
MANUAL

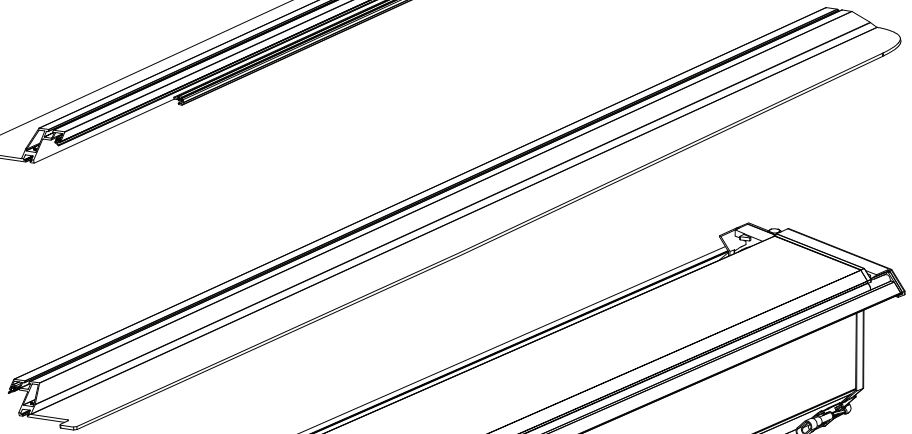


OWNERS  
MANUAL

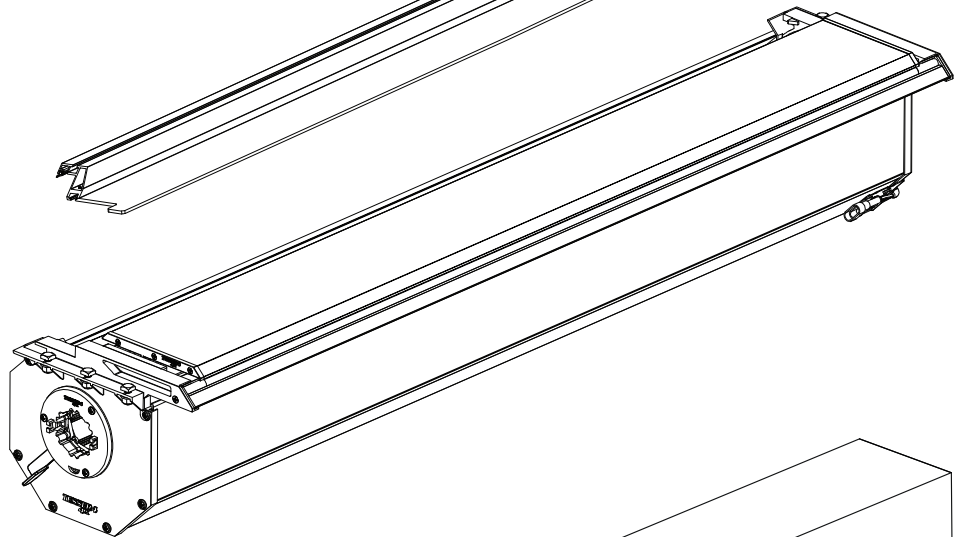
x1



**B**



**A**

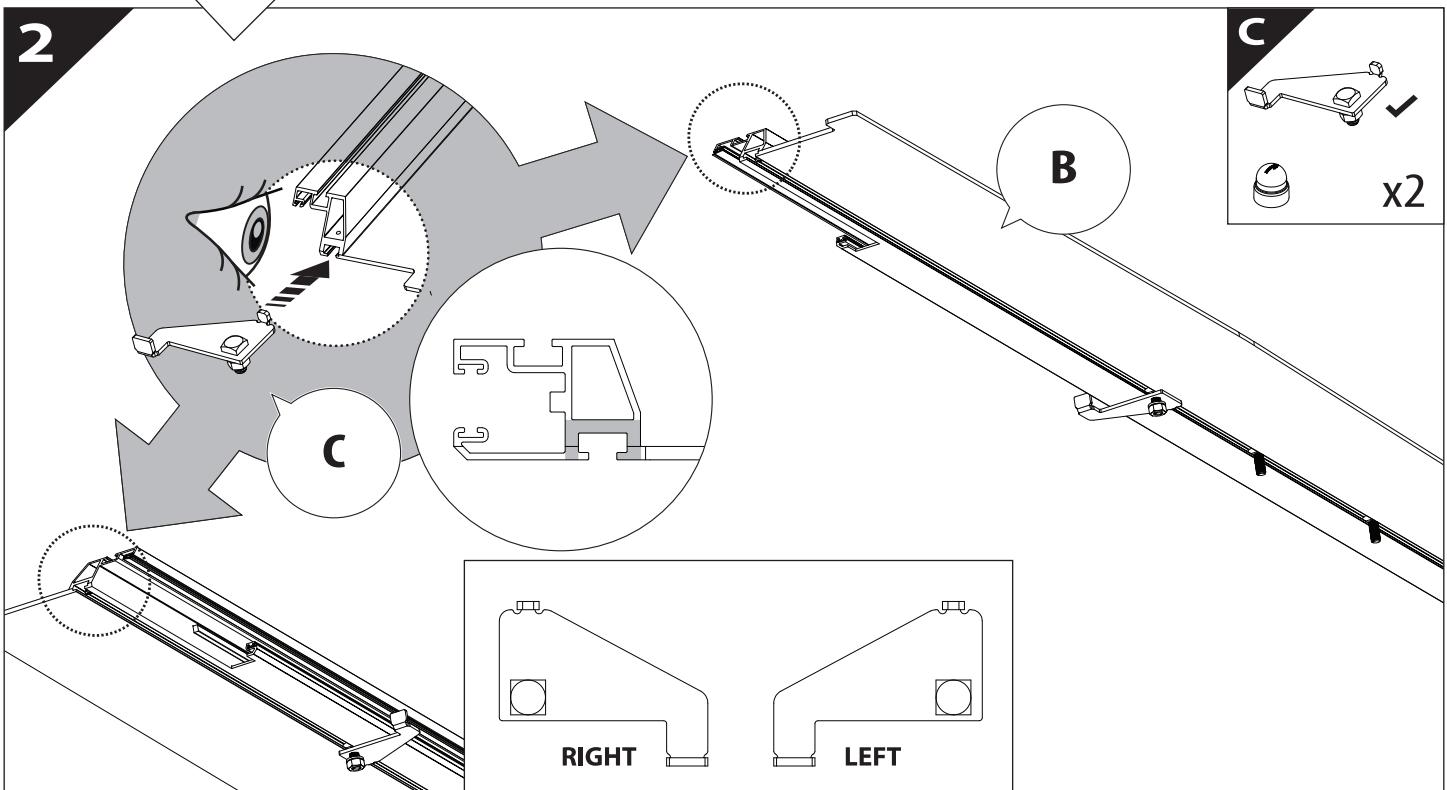
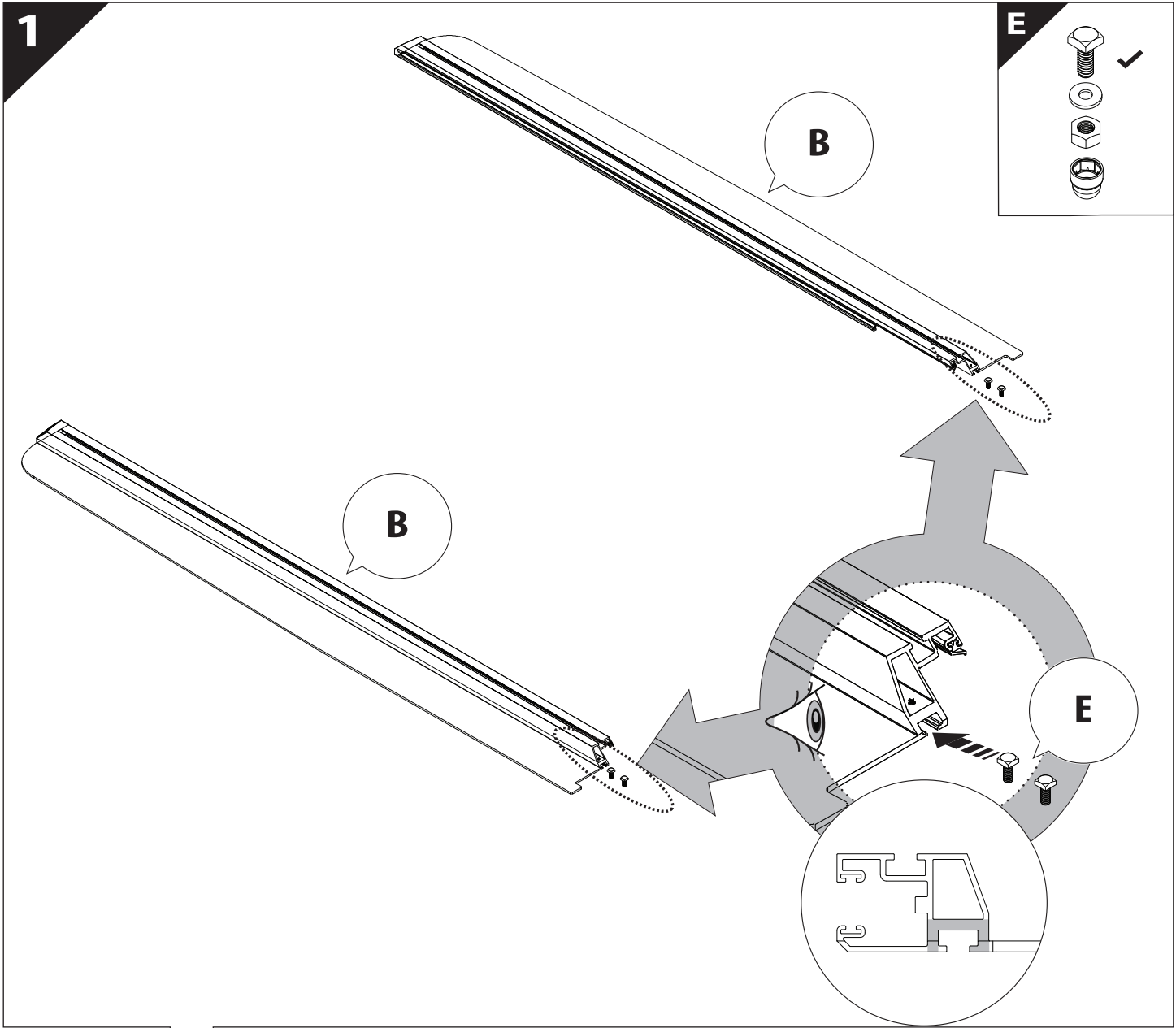


**KITS**



**L**

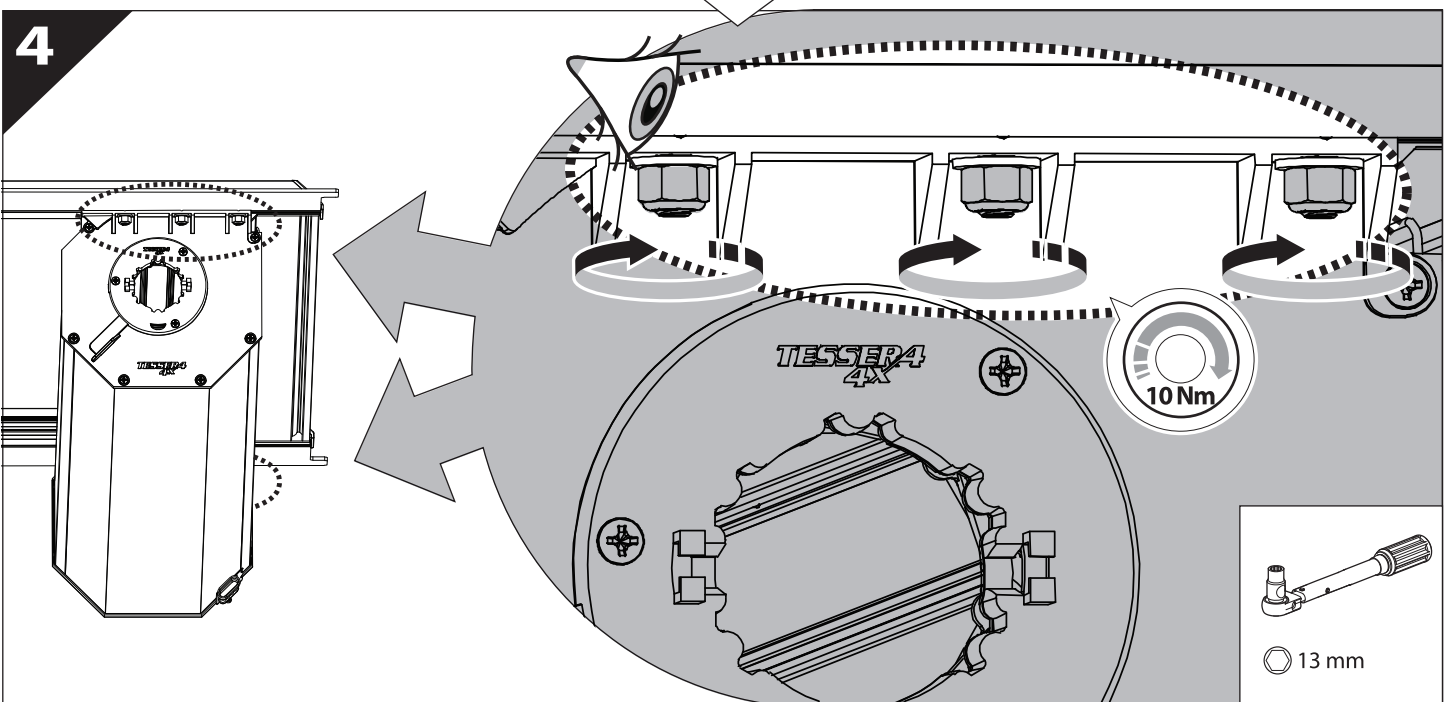


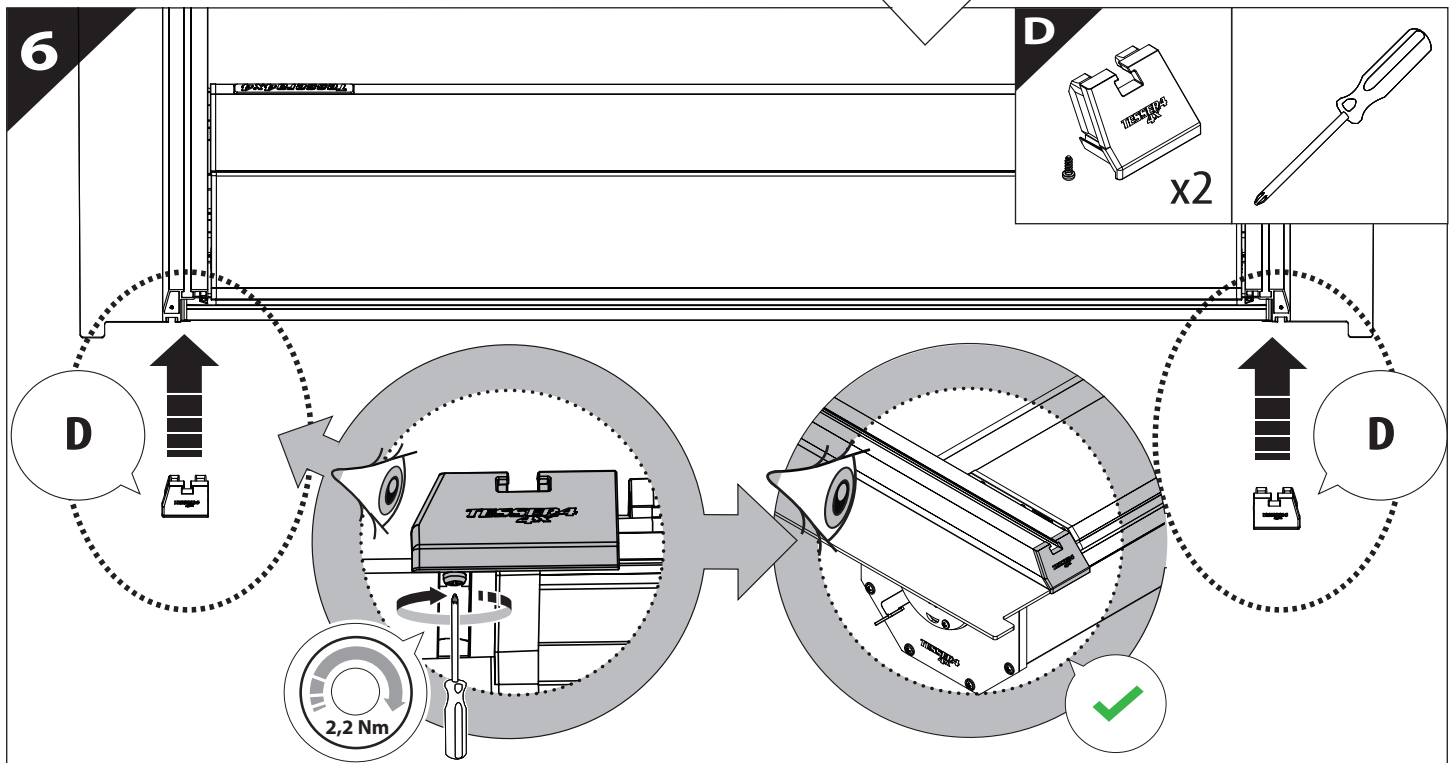
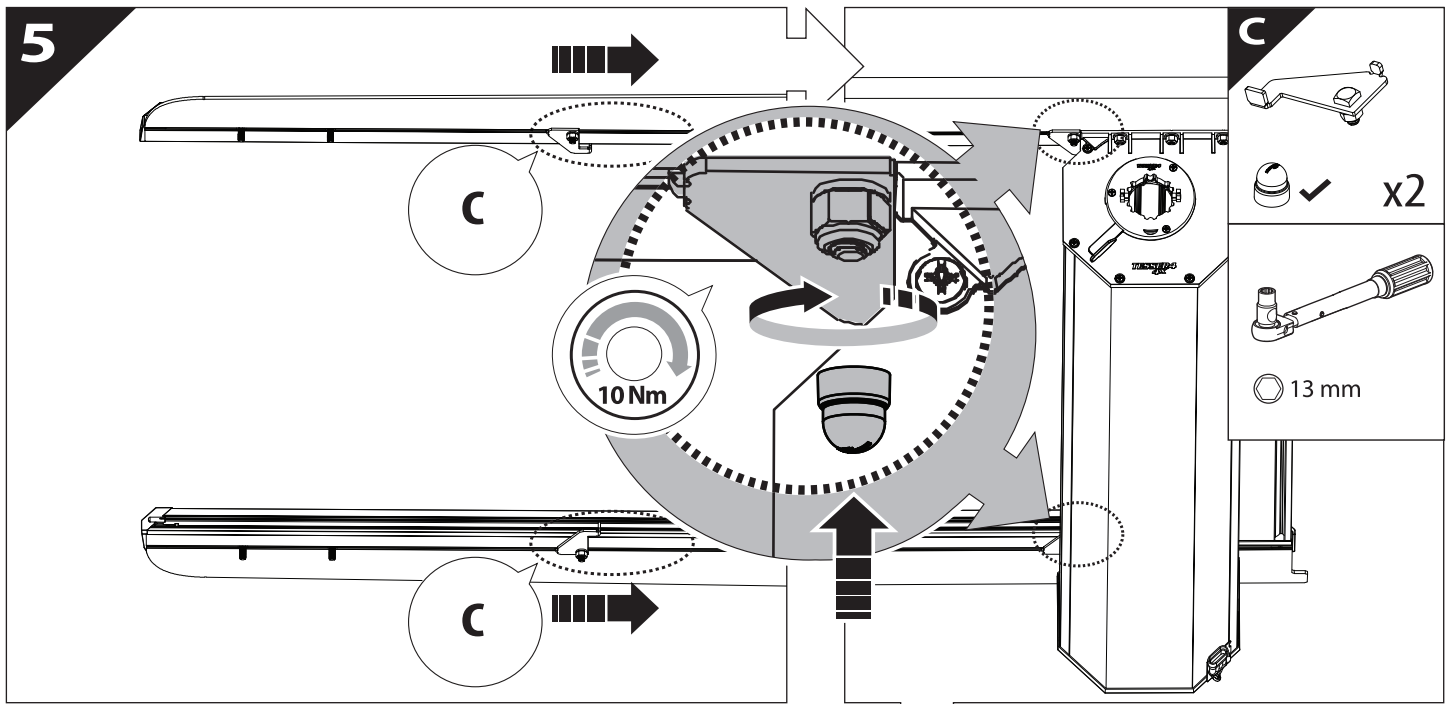


3

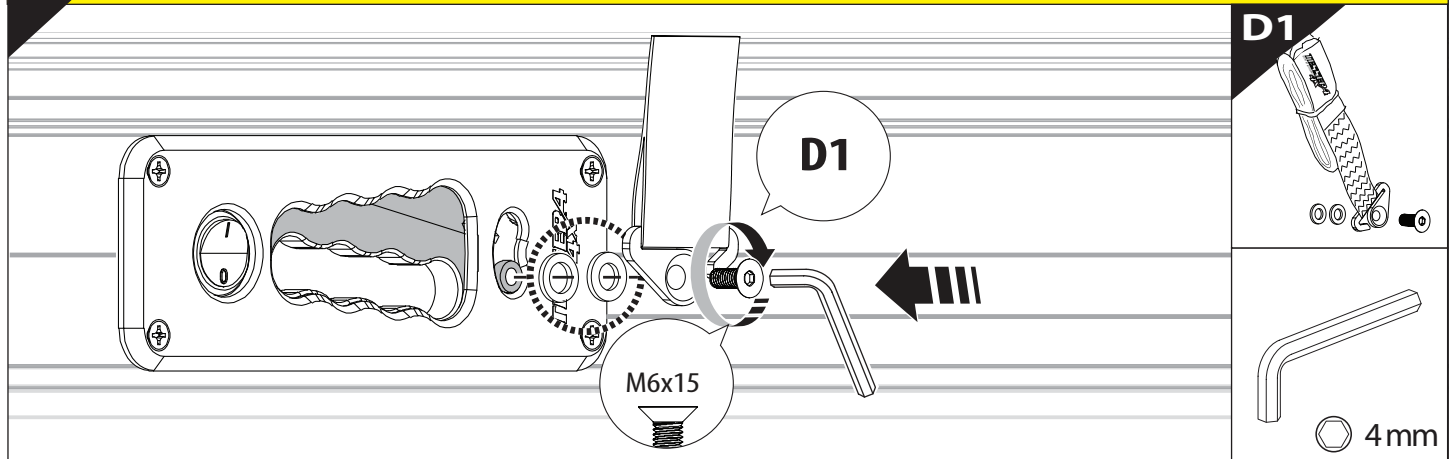


4

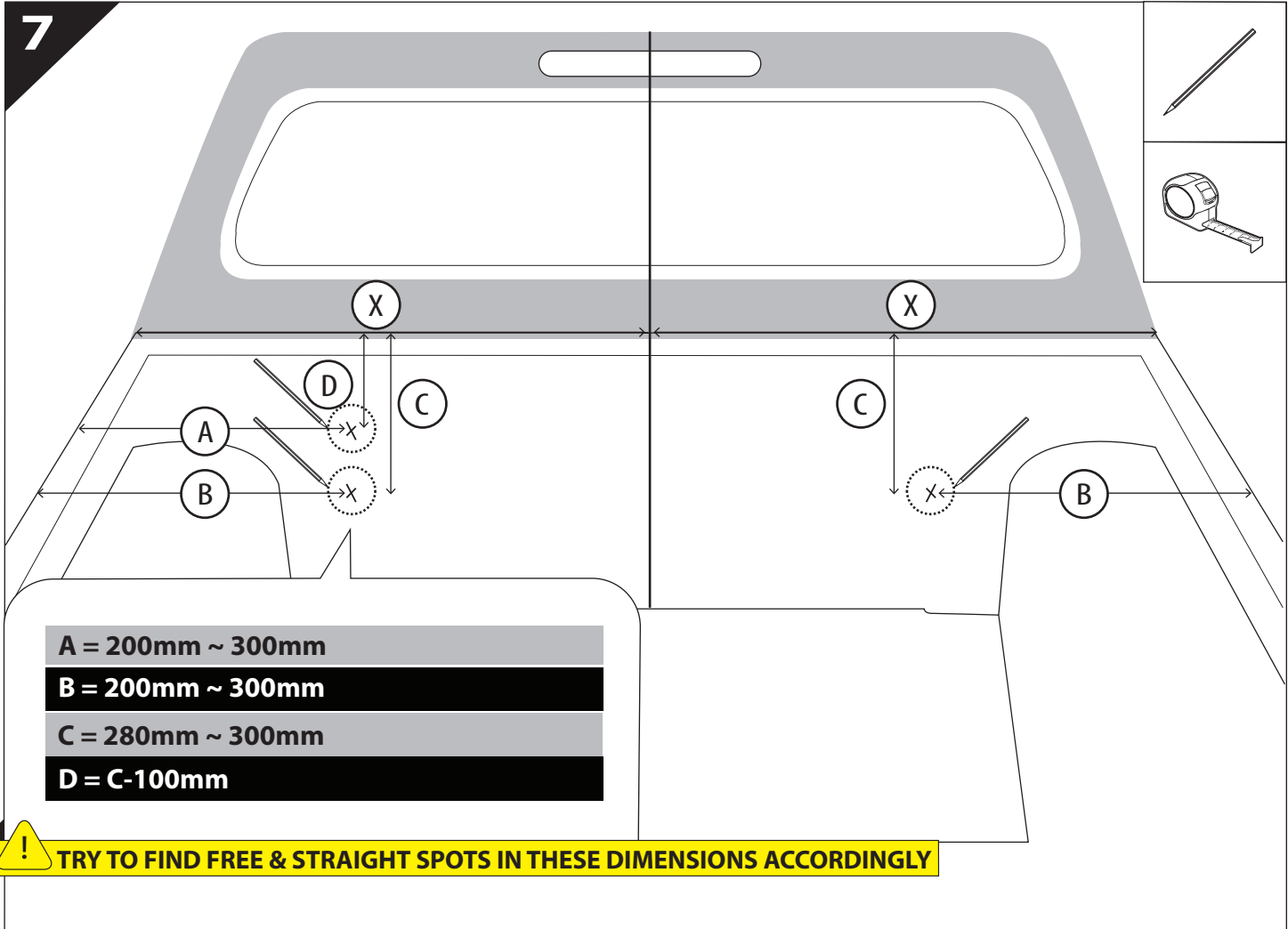
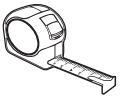




**6.1** **CAUTION** Basic Version ✓ & Basic+S-KIT Version ✓

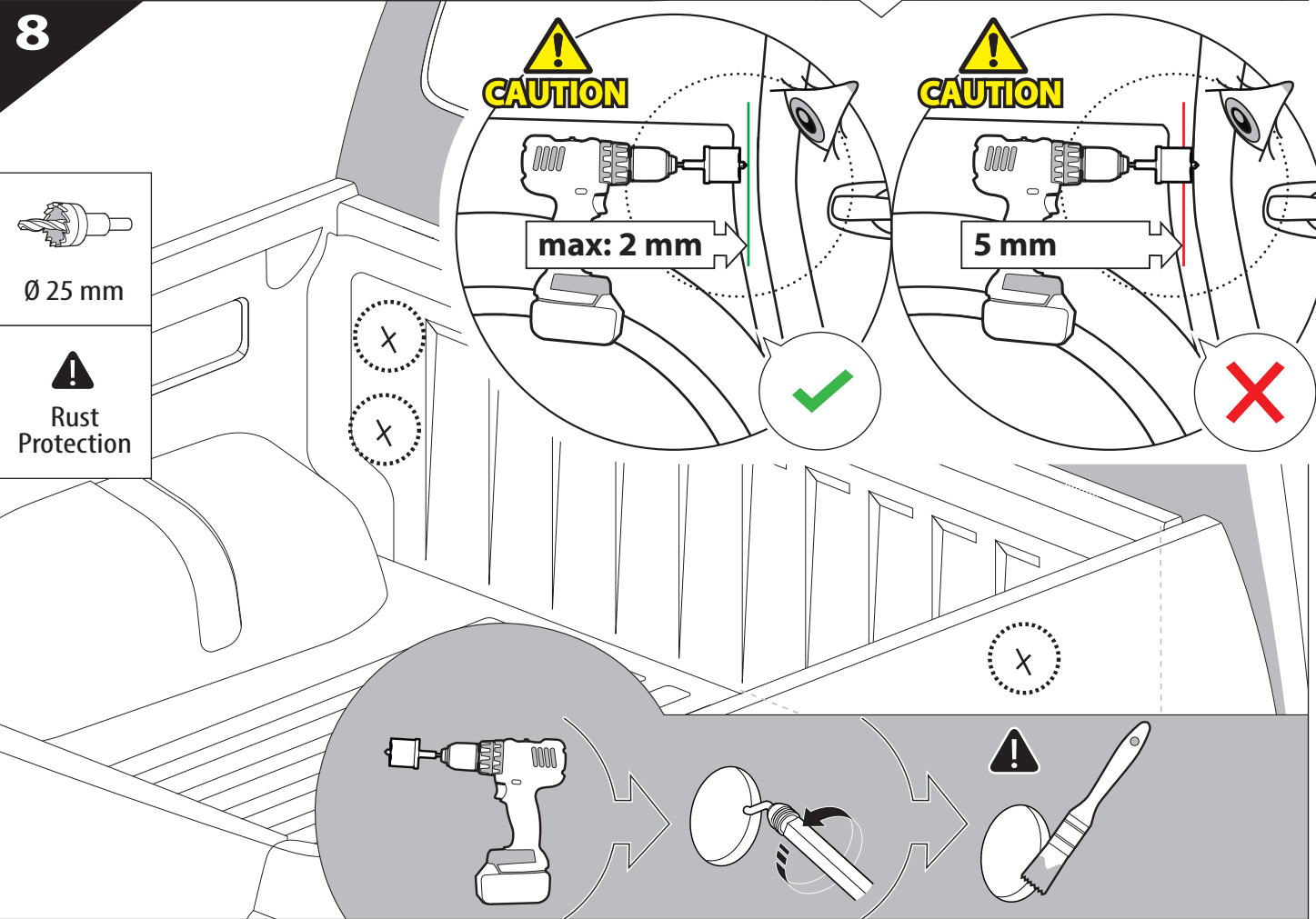


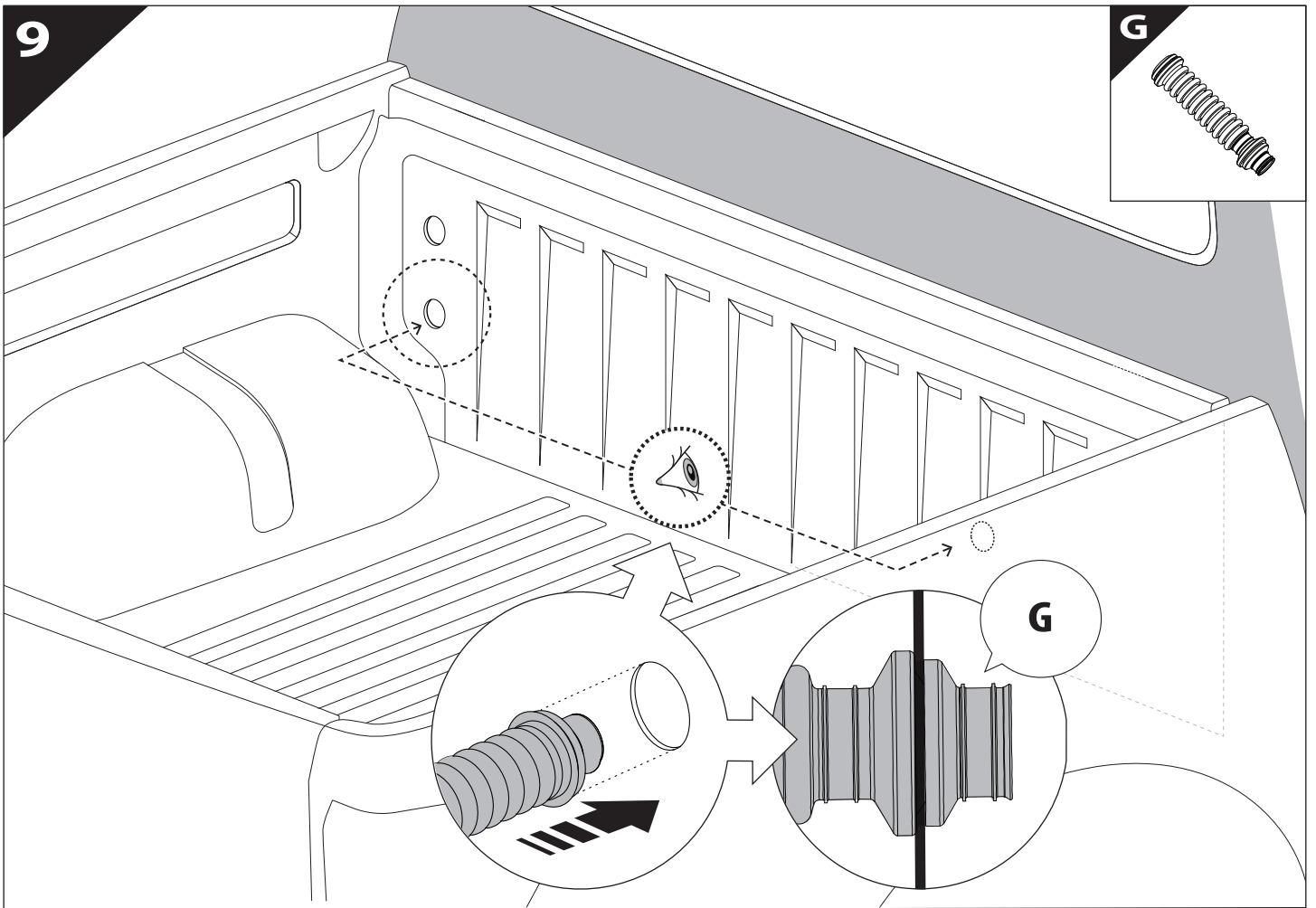
7



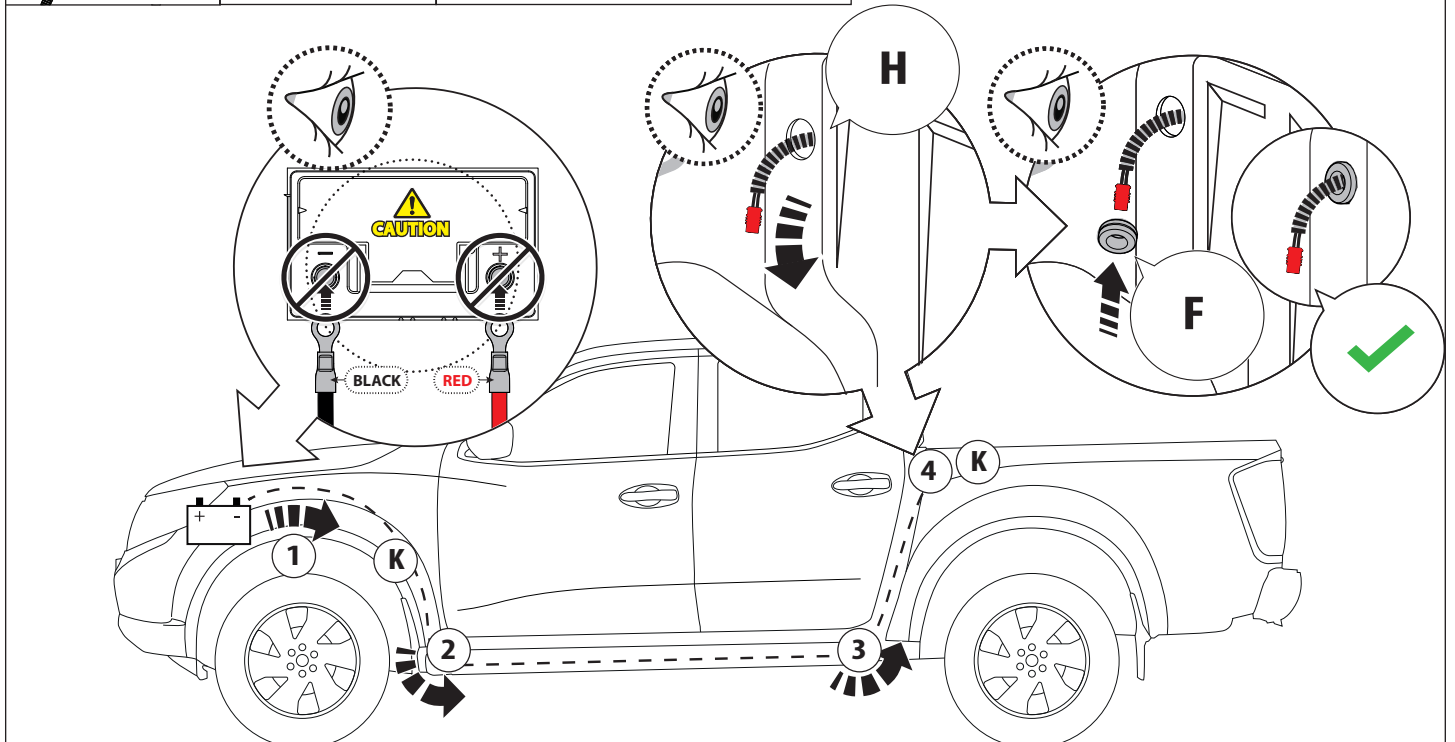
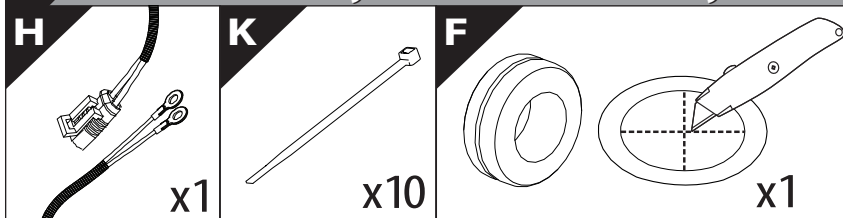
**! TRY TO FIND FREE & STRAIGHT SPOTS IN THESE DIMENSIONS ACCORDINGLY**

8



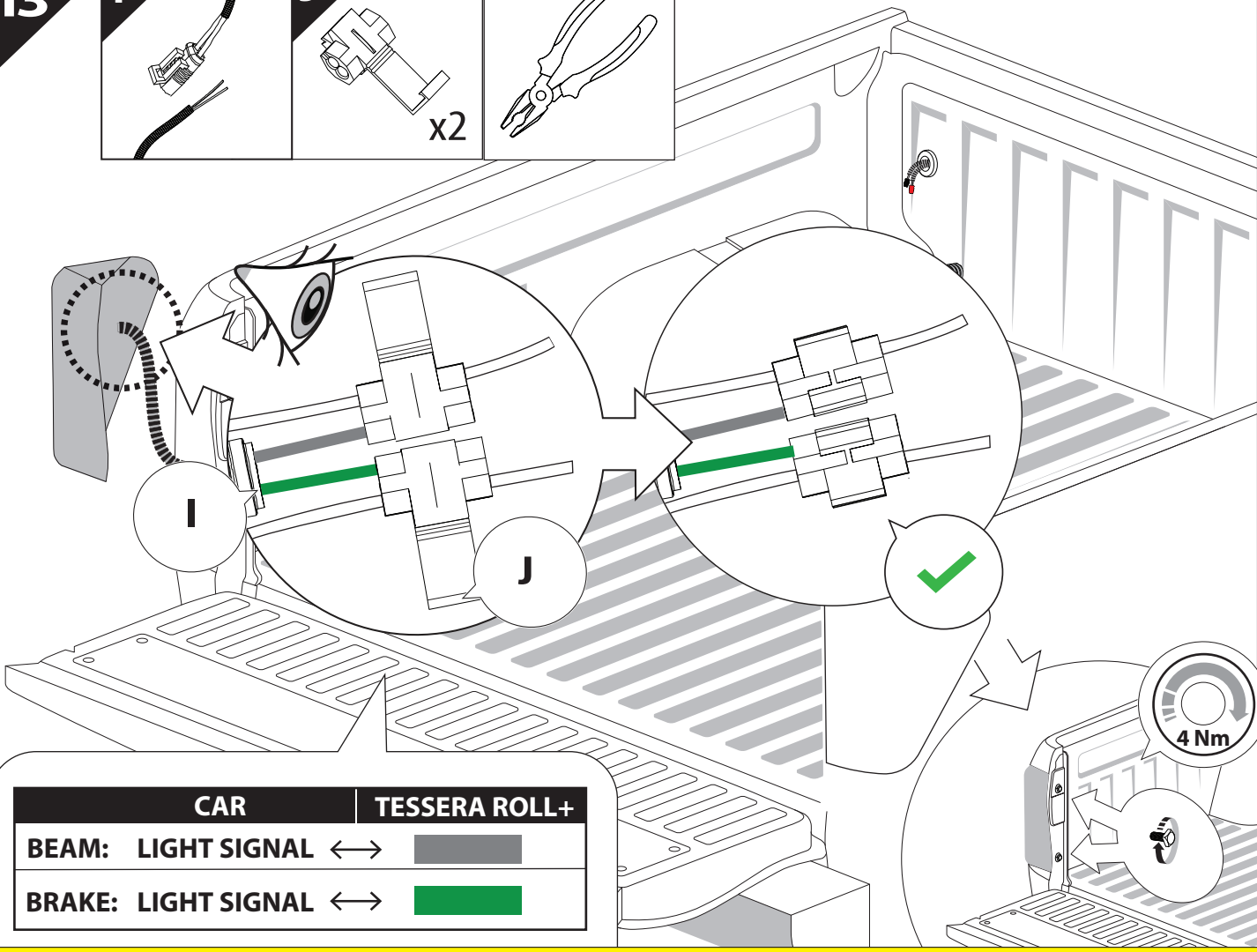
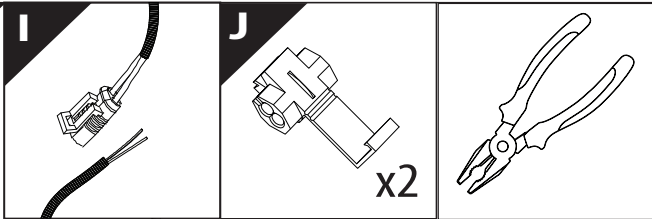


**10** Only to be installed by authorized personnel





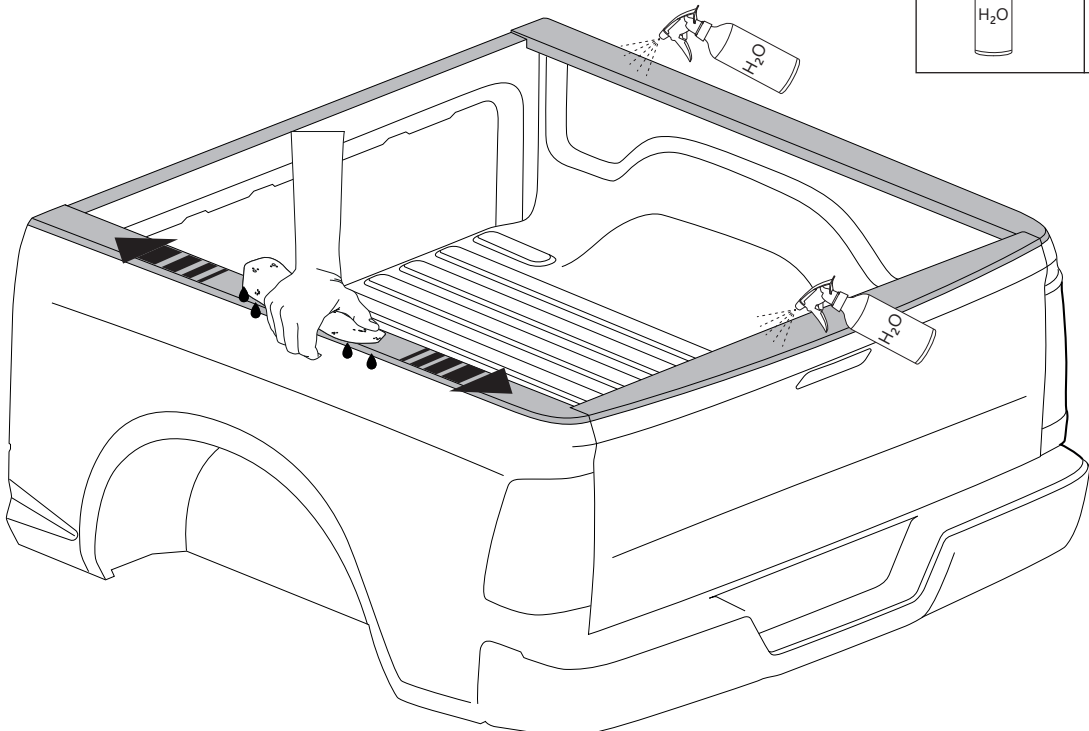
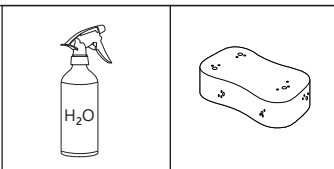
13

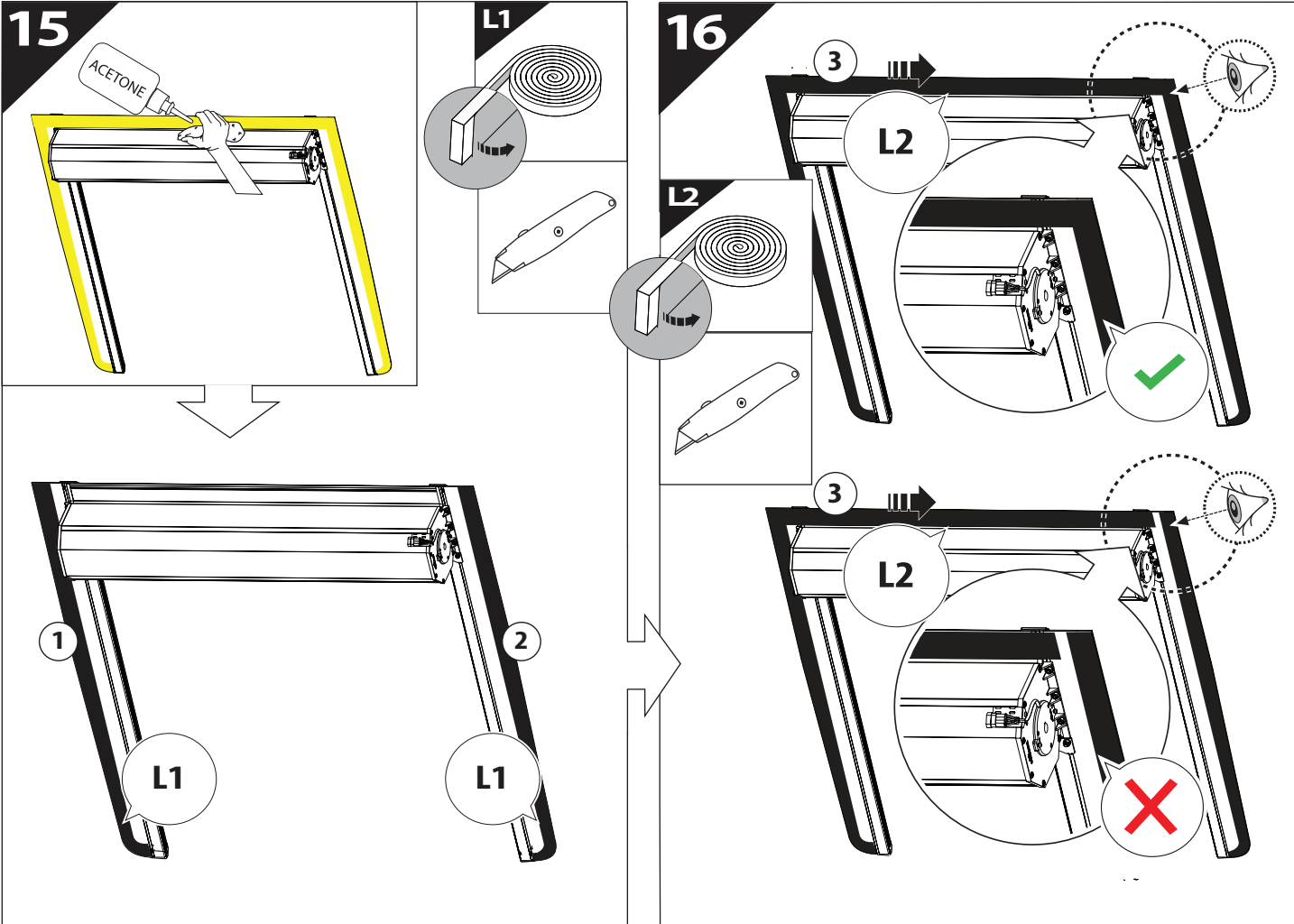


CAR	TESSERA ROLL+
BEAM: LIGHT SIGNAL ↔	
BRAKE: LIGHT SIGNAL ↔	

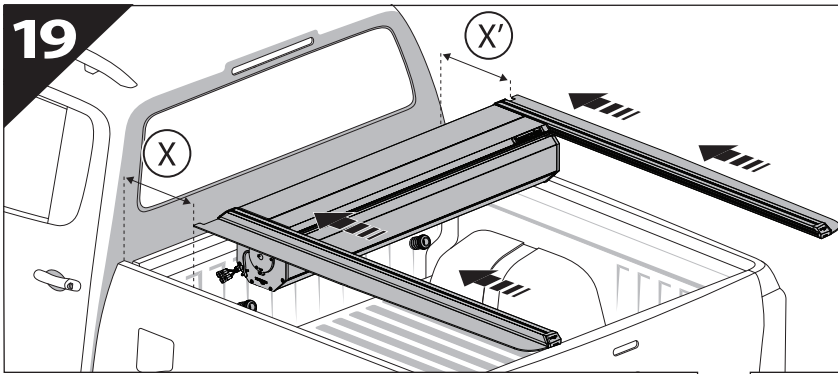
**CAUTION: CONSULT A CERTIFIED AUTO MECHANIC OR AUTOMOTIVE ELECTRICIAN TO IDENTIFY THE CORRECT WIRING CABLES FOR BEAM AND BRAKE SIGNALS BEFORE MAKING ANY CONNECTIONS.**

14

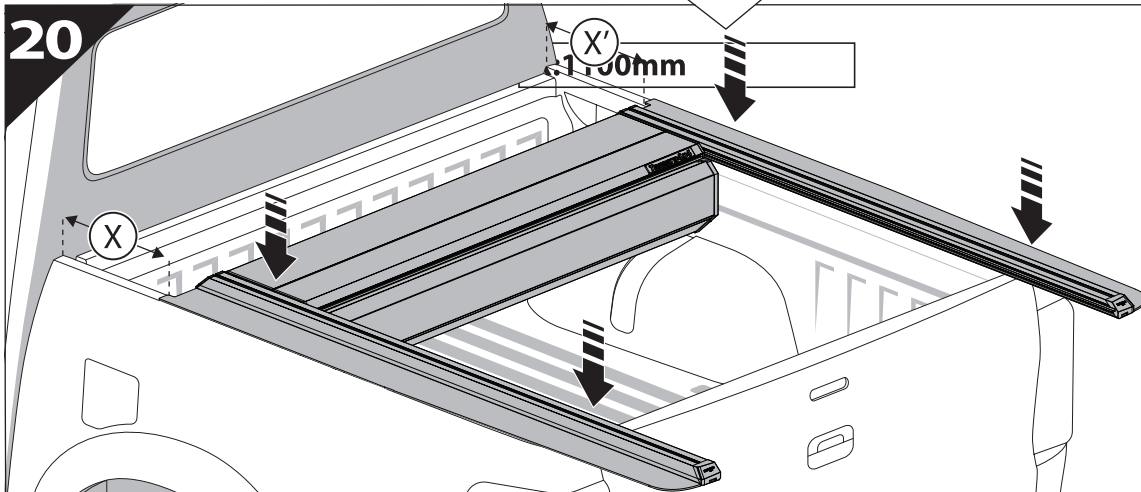




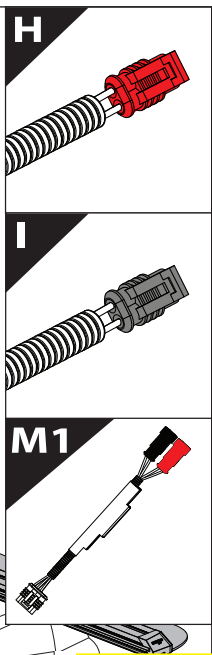
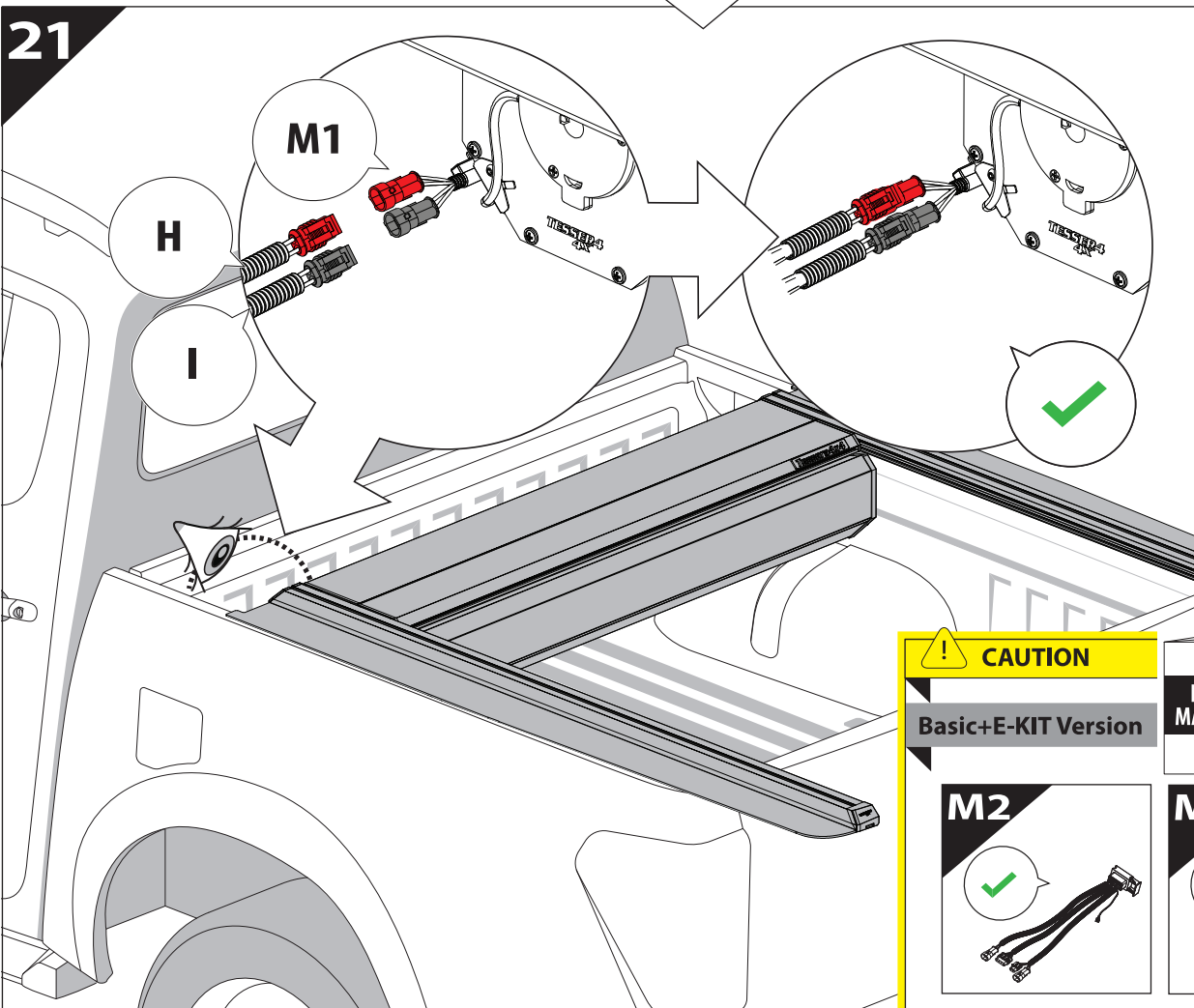
19



20



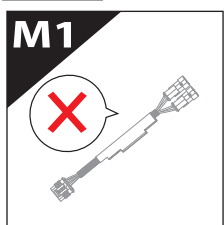
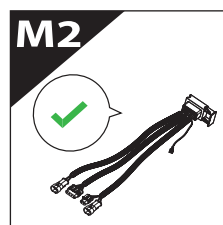
21



**CAUTION**

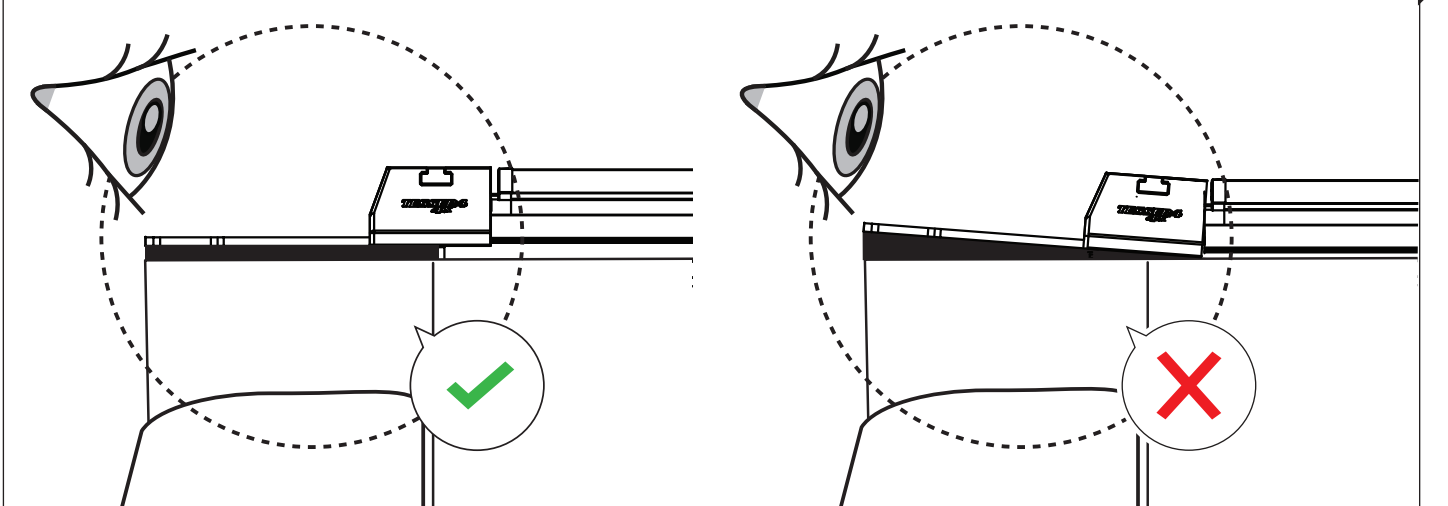
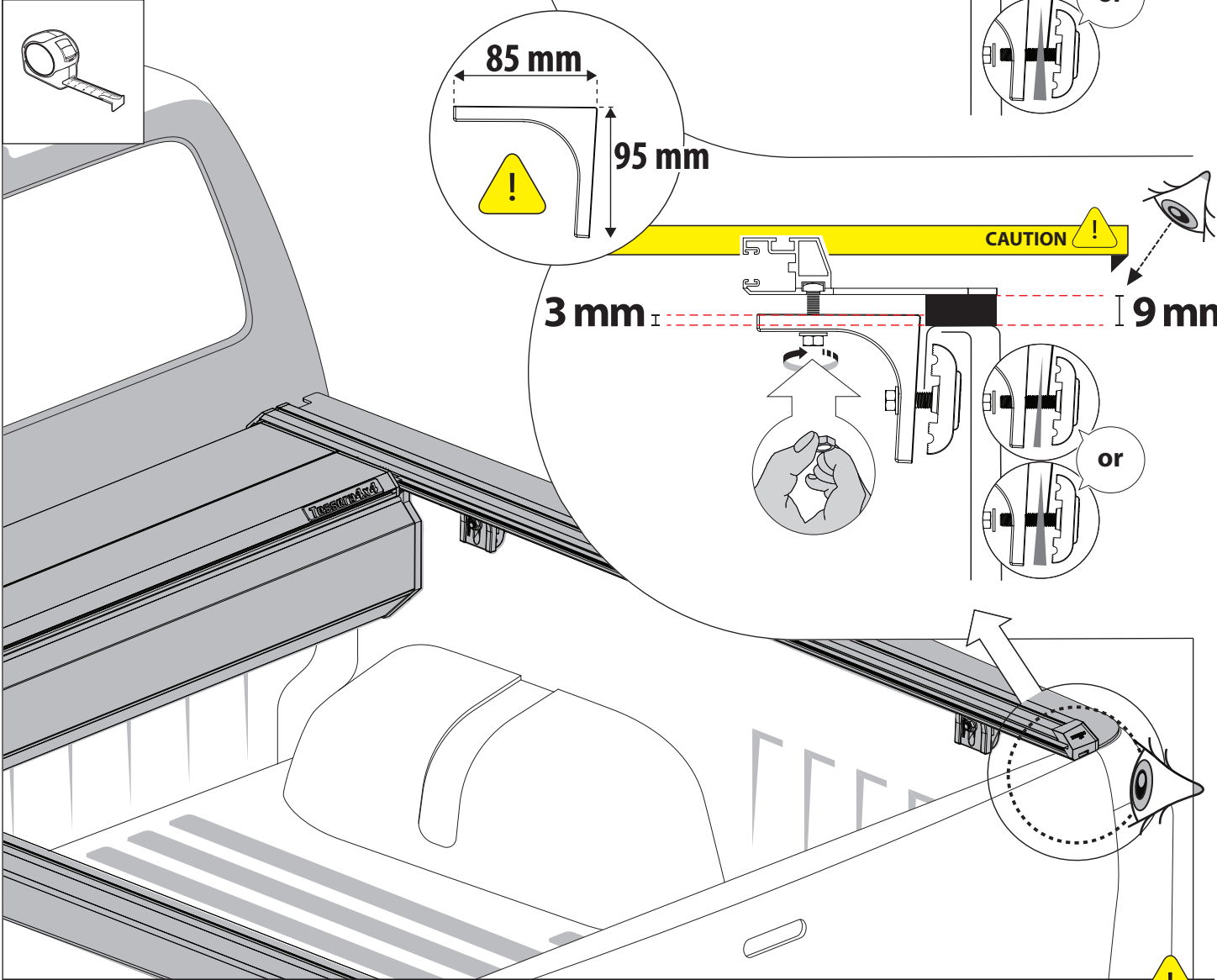
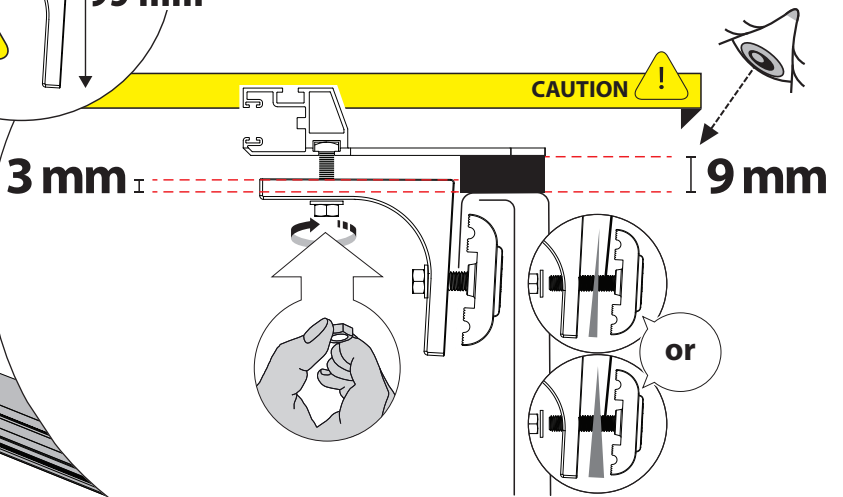
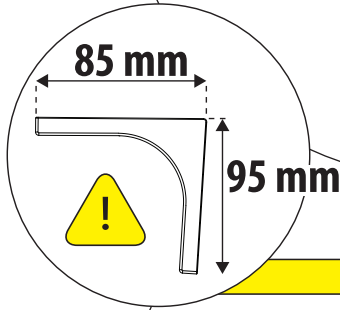
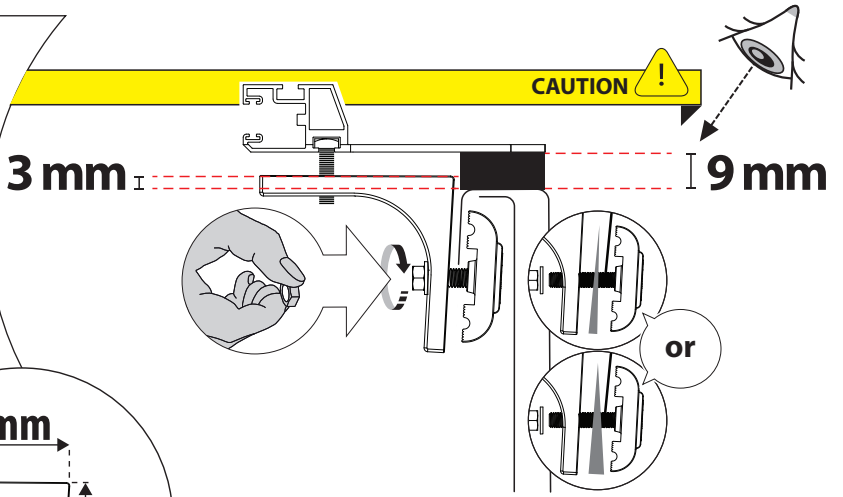
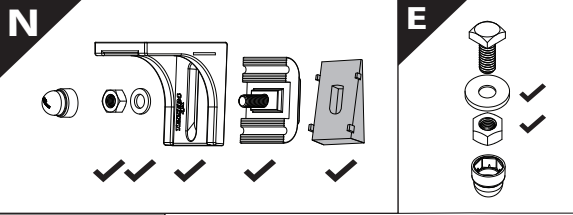
Basic+E-KIT Version

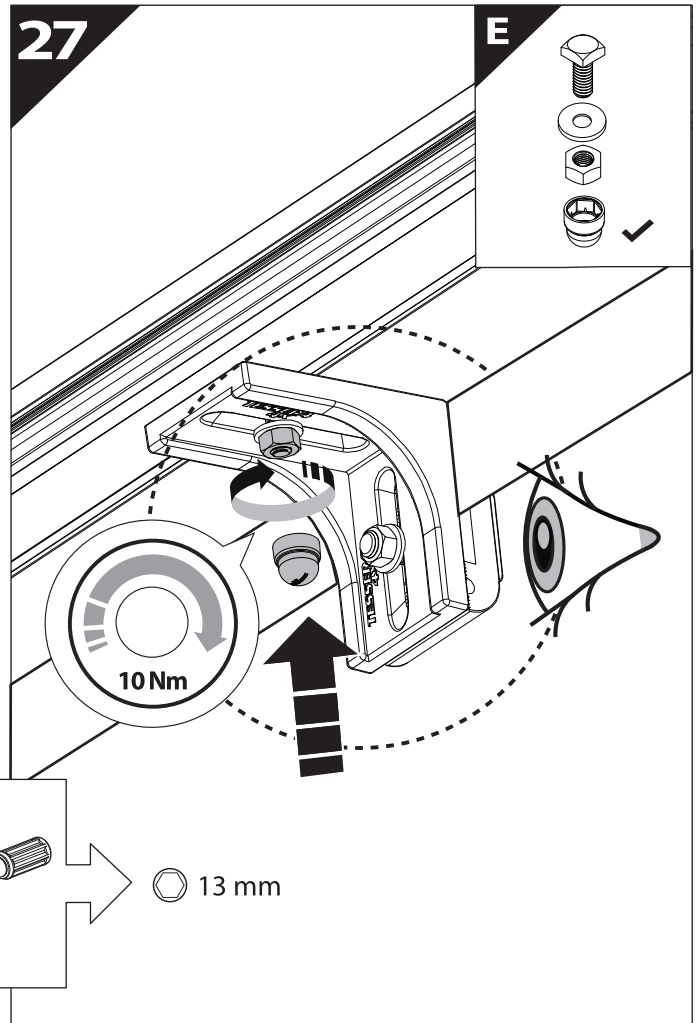
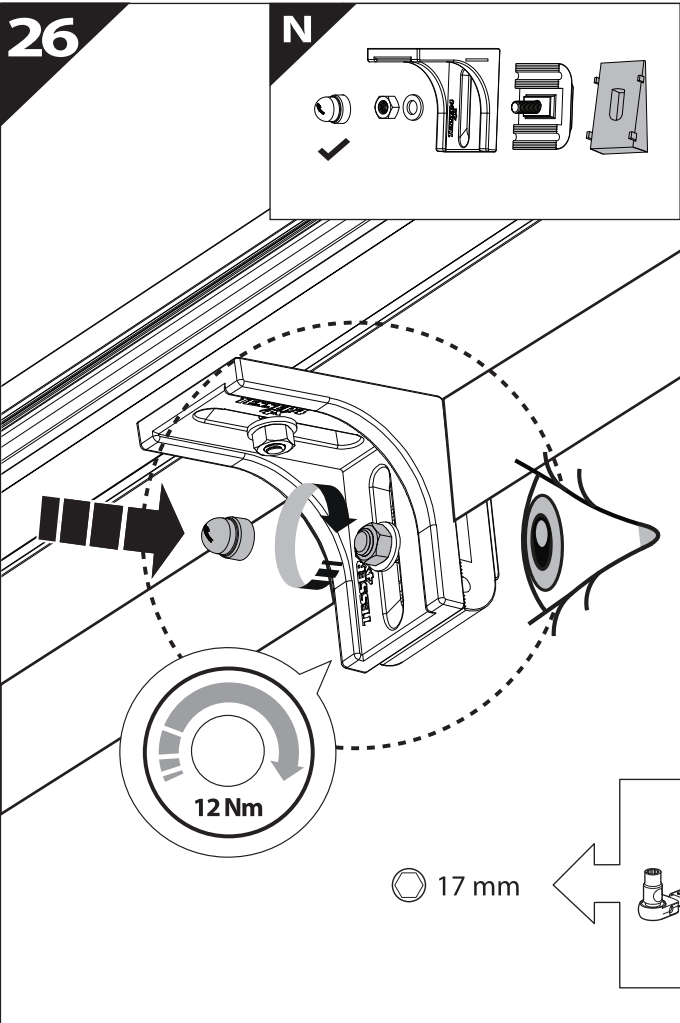
E-KIT  
MANUAL



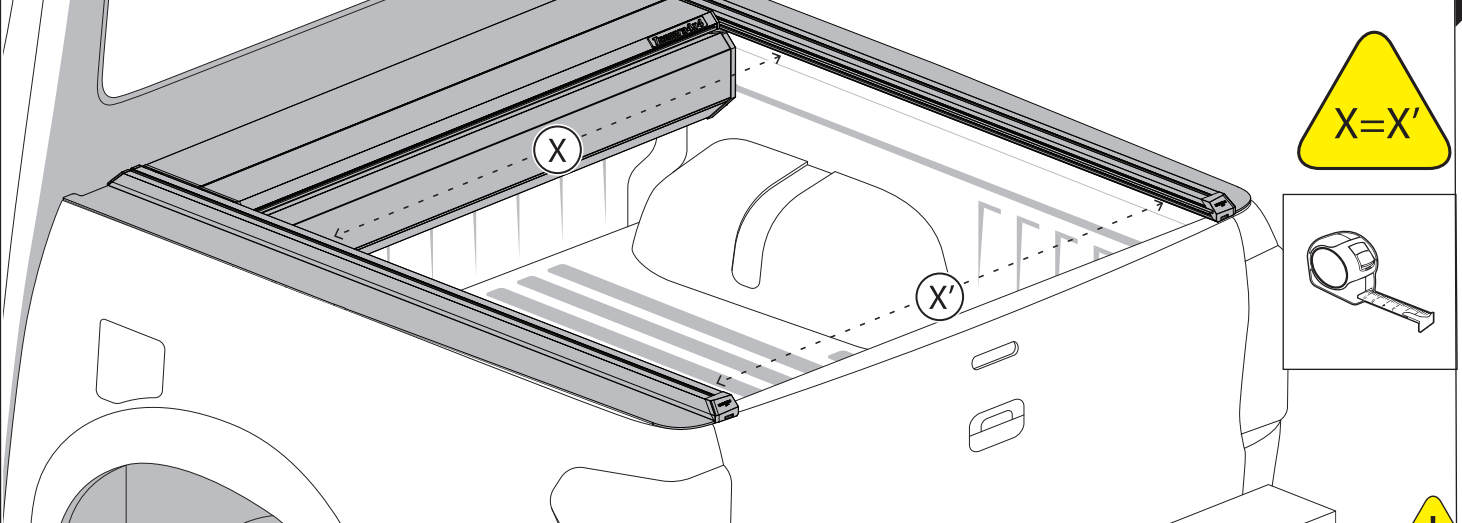


25

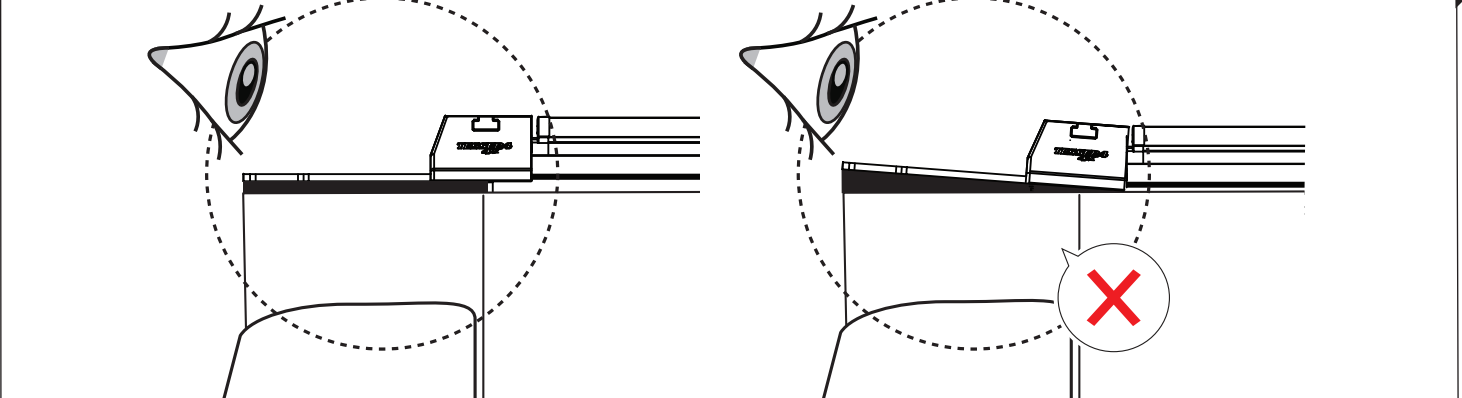




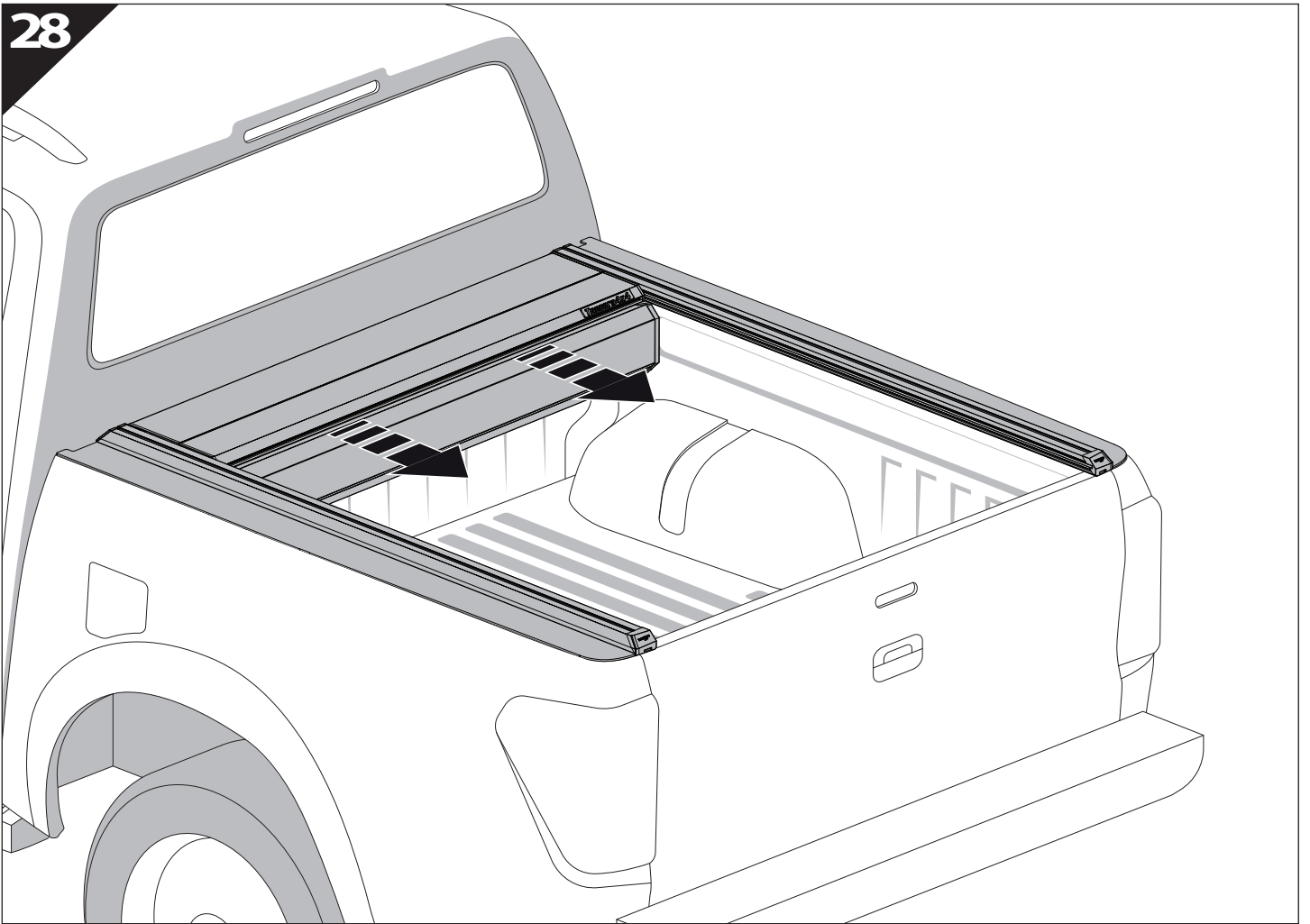
**CAUTION** !



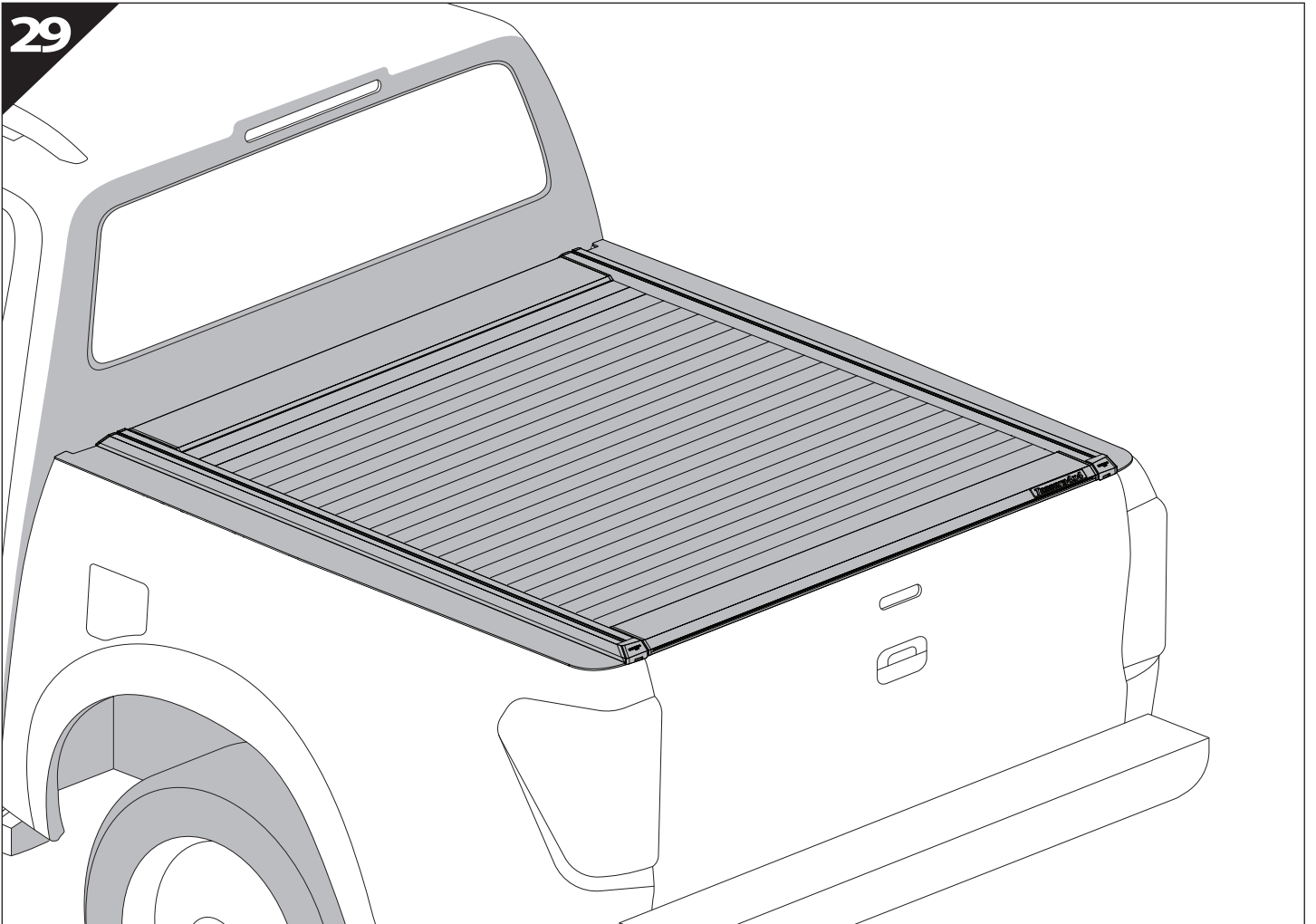
**CAUTION** !



28



29







**GR:** Οδηγίες Εγκατάστασης  
**GB:** Installation manual  
**SF:** Asennusohje  
**F:** Notice de montage  
**PL:** Instrukcja montażu  
**NL:** Installatie-instructies  
**TR:** Montaj Talimatı  
**S:** Monteringsanvisning  
**E:** Instrucciones de montaje

**H:** Szerelési utasítás  
**P:** Instruções de instalação  
**RUS:** Инструкция по установке  
**N:** Monteringsveiledning  
**D:** Einbauanleitung  
**CZ:** Návod k instalaci  
**I:** Istruzioni de montaggio  
**DK:** Monteringsvejledning  
**RO:** Instructiuni de instalare

Customer Service:

+30 (210) 5541161, +30 (210) 5541154 (08:00 - 16:00 EET)

Support department:

[info@gianso.gr](mailto:info@gianso.gr)

Website:

[www.tessera4x4.com](http://www.tessera4x4.com)

Address:

19.5 km of National road Athens-Korinthos (Elefsina) Greece, P.C: 19200