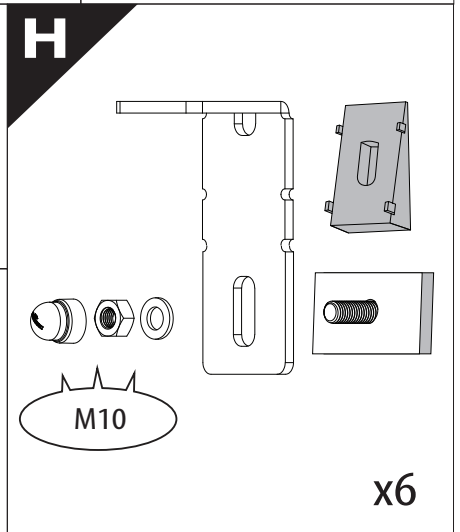
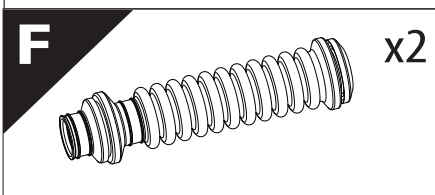
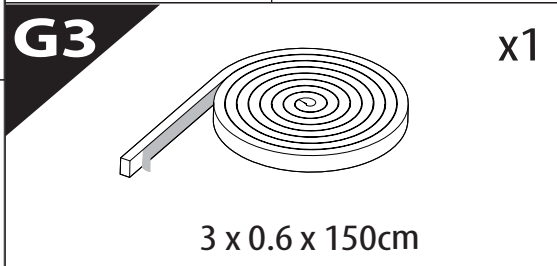
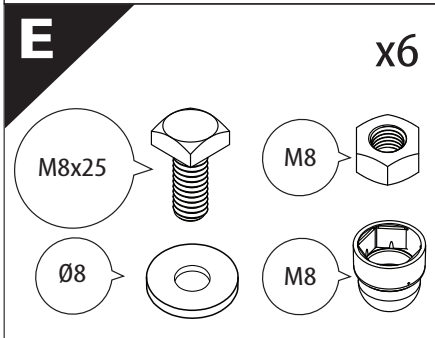
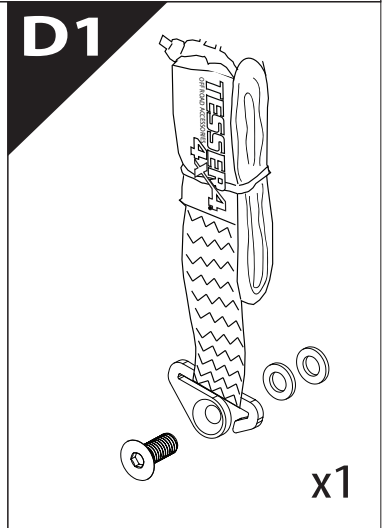
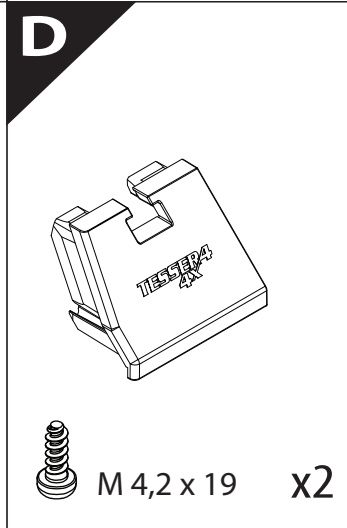
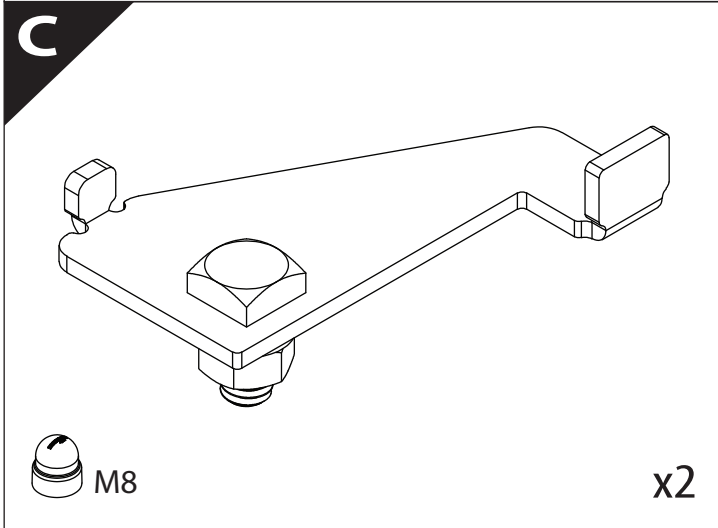
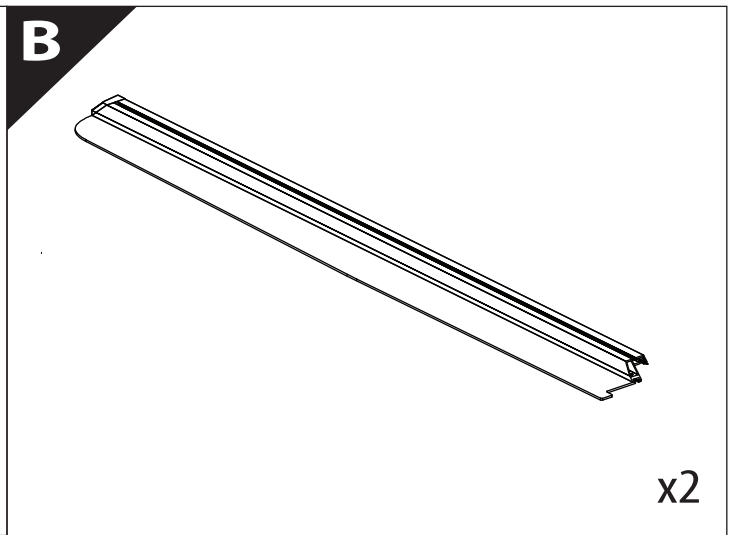
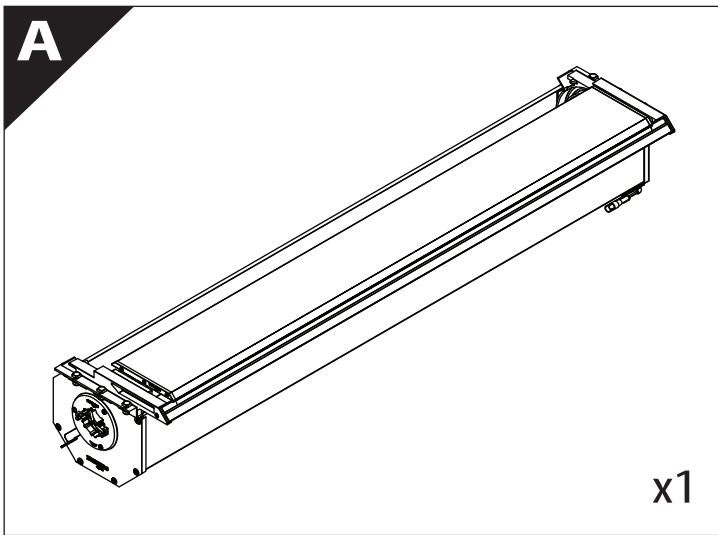
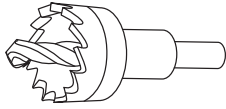




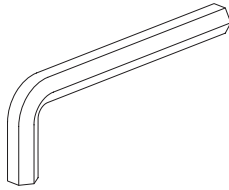
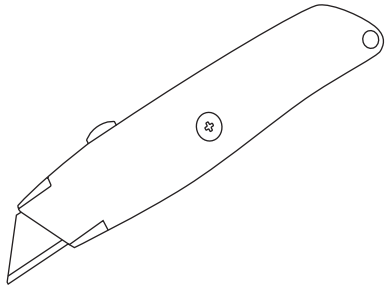
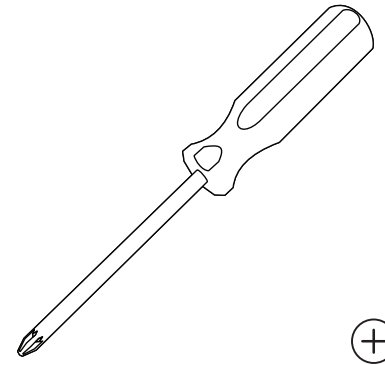
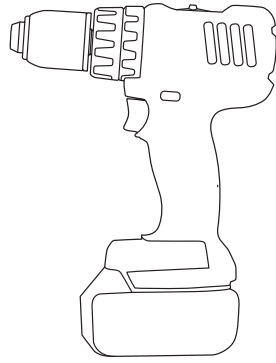
Installation Manual

PART NUMBER(S)	Model Year
TESS 1533 SE	Toyota Tacoma 2024+
TESS 15331 SE	
Cab(s)	Installation Time / Weight
5 Feet & 6 Feet	40-60 minutes / 53-57 kg



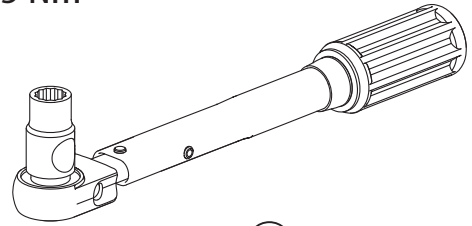


Ø 25 mm



4 mm

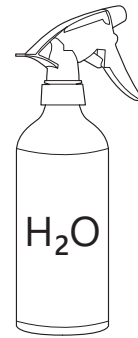
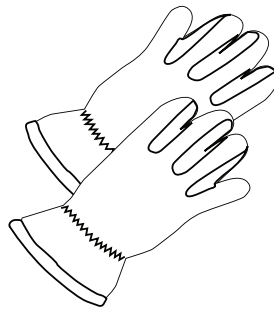
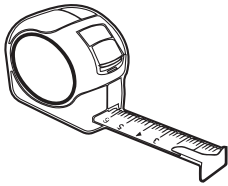
1 - 25 Nm



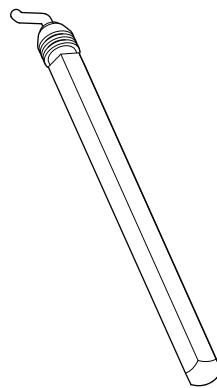
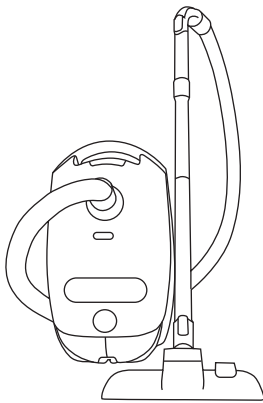
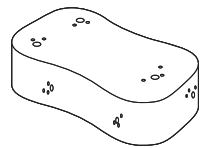
13, 17 mm



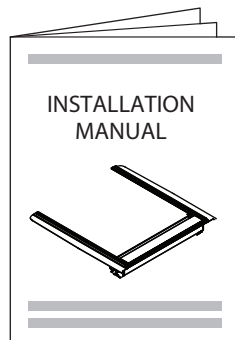
ACETONE



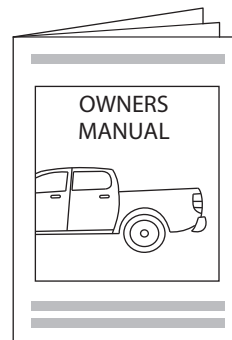
H₂O



ANTI-RUST

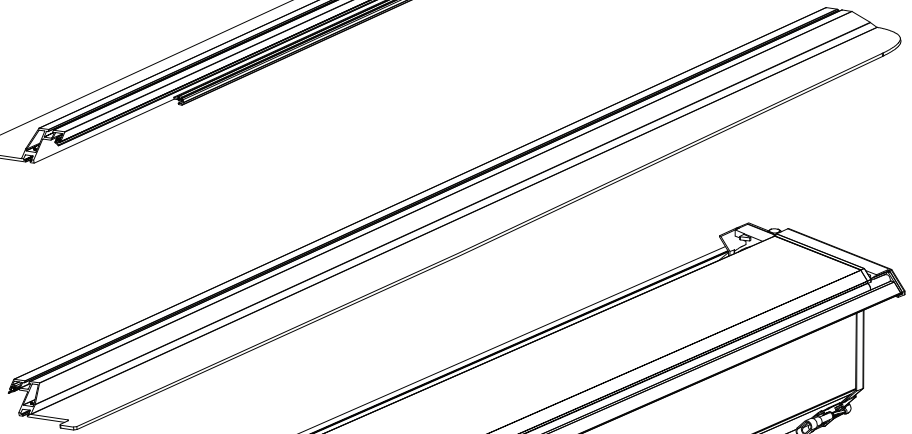


INSTALLATION
MANUAL

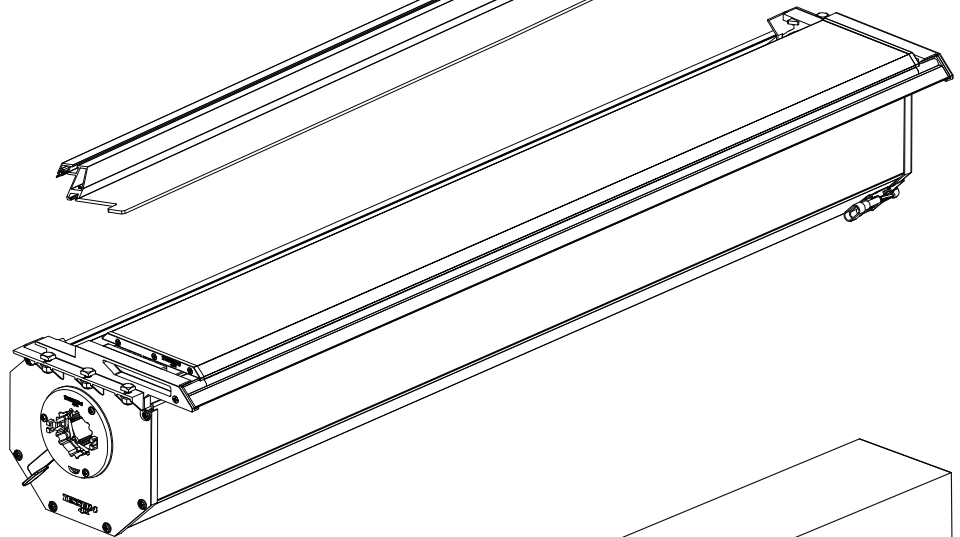


OWNERS
MANUAL

x1

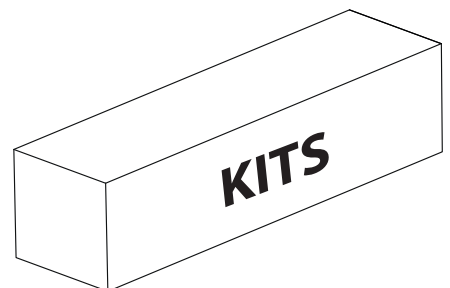


B

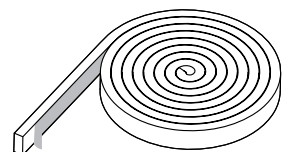


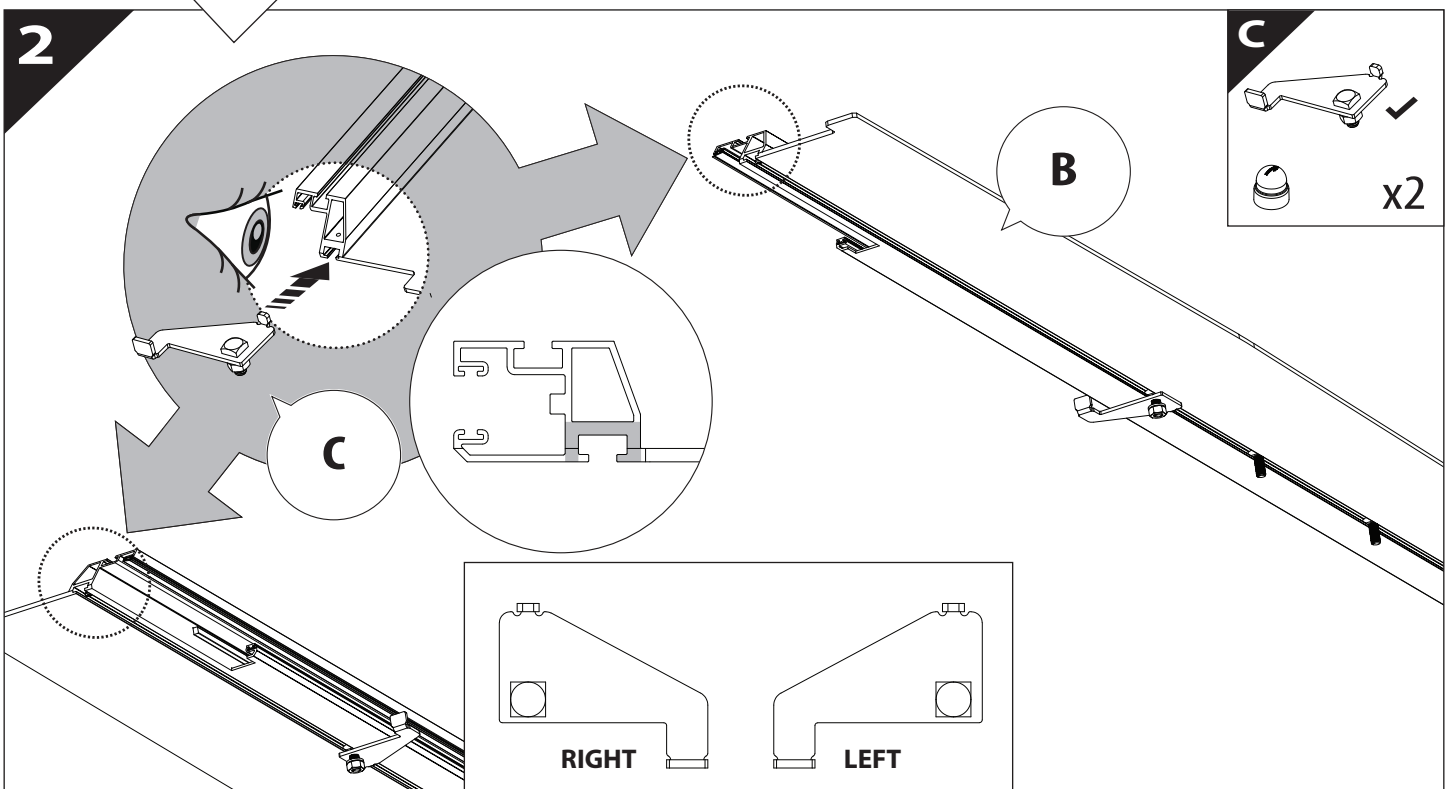
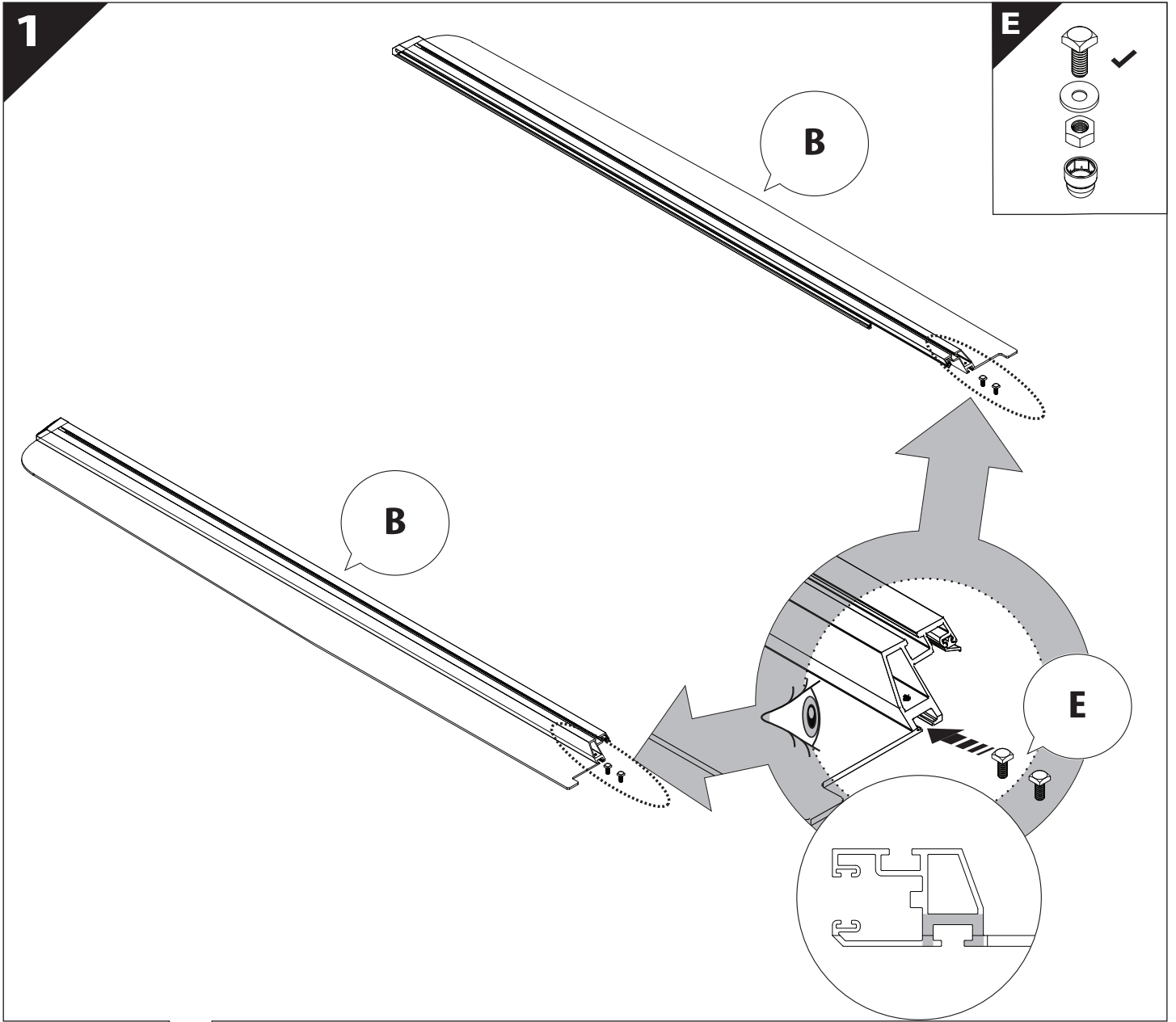
A

KITS

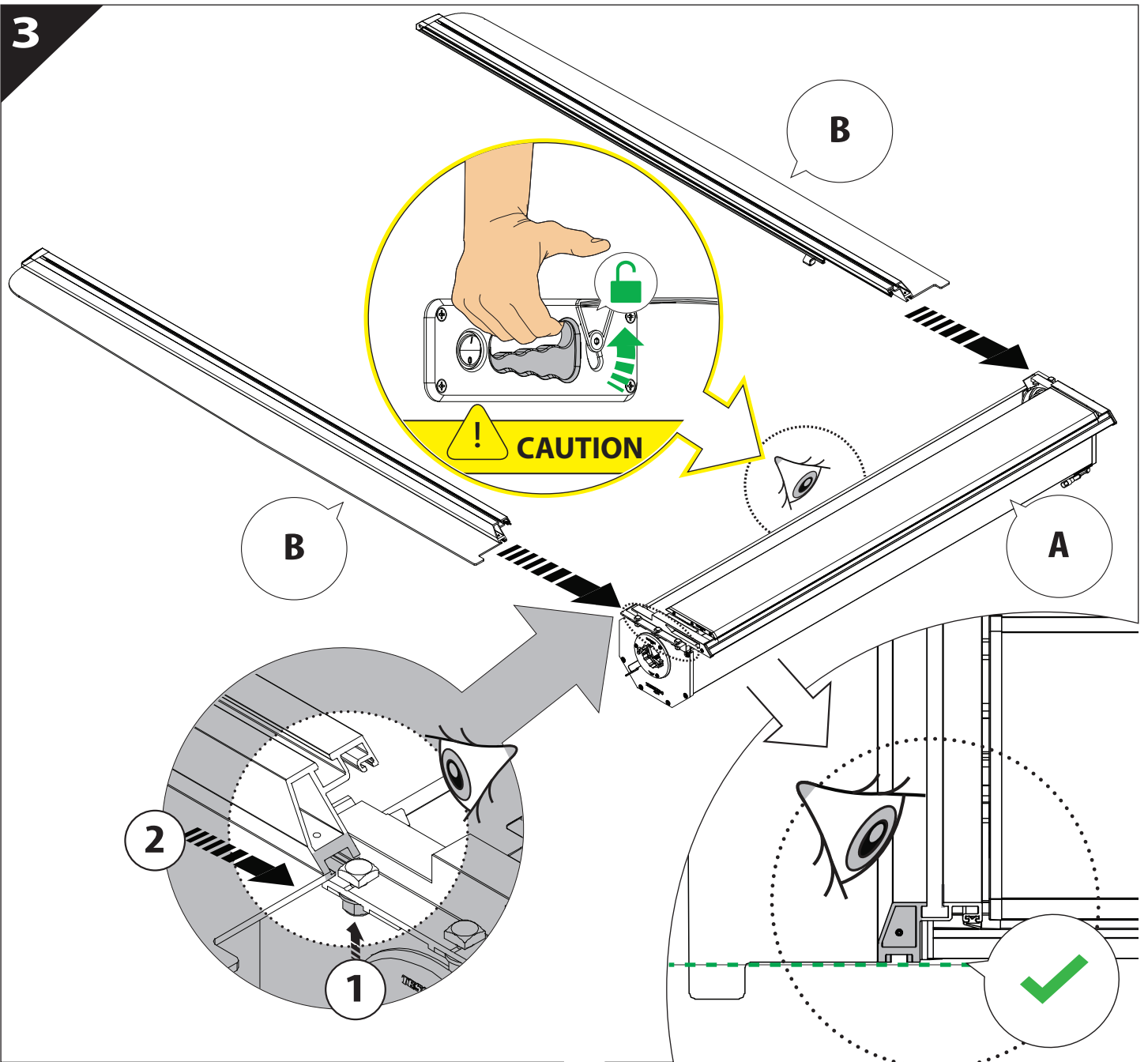


G

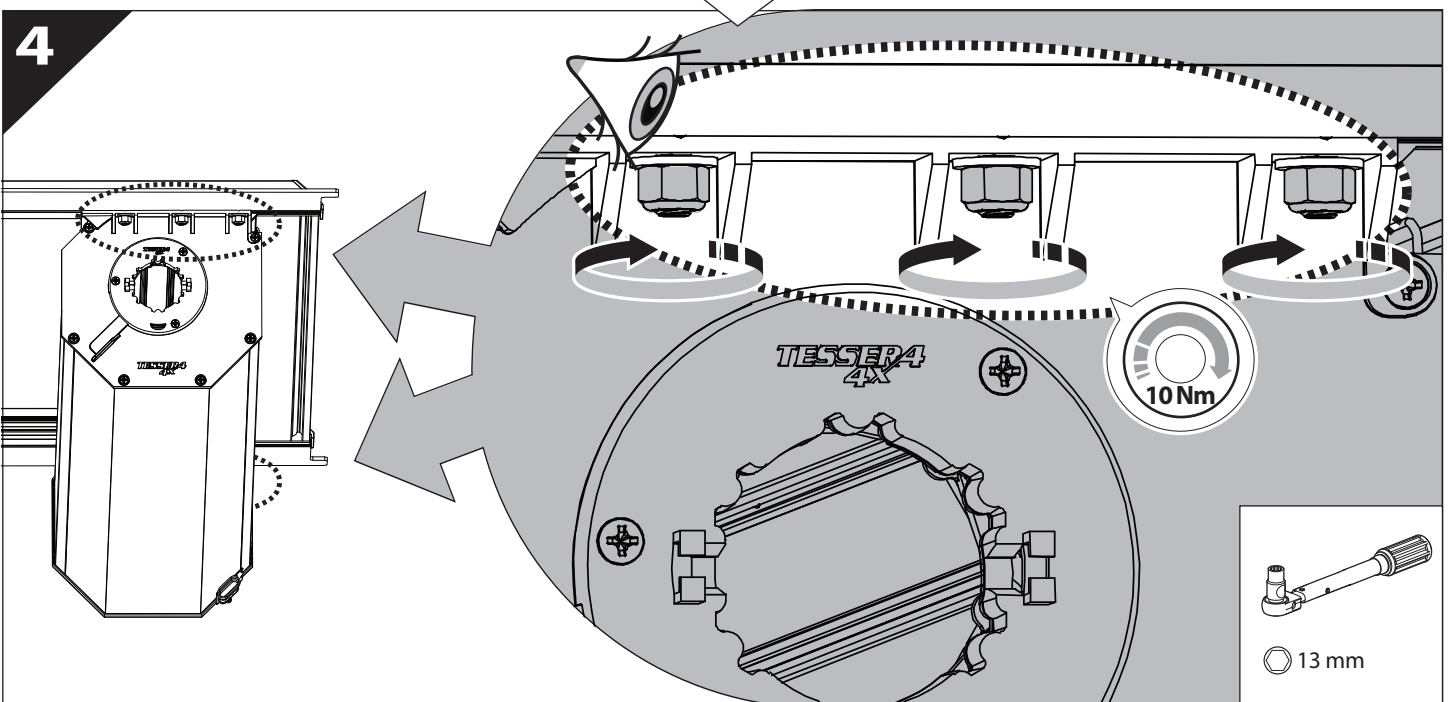


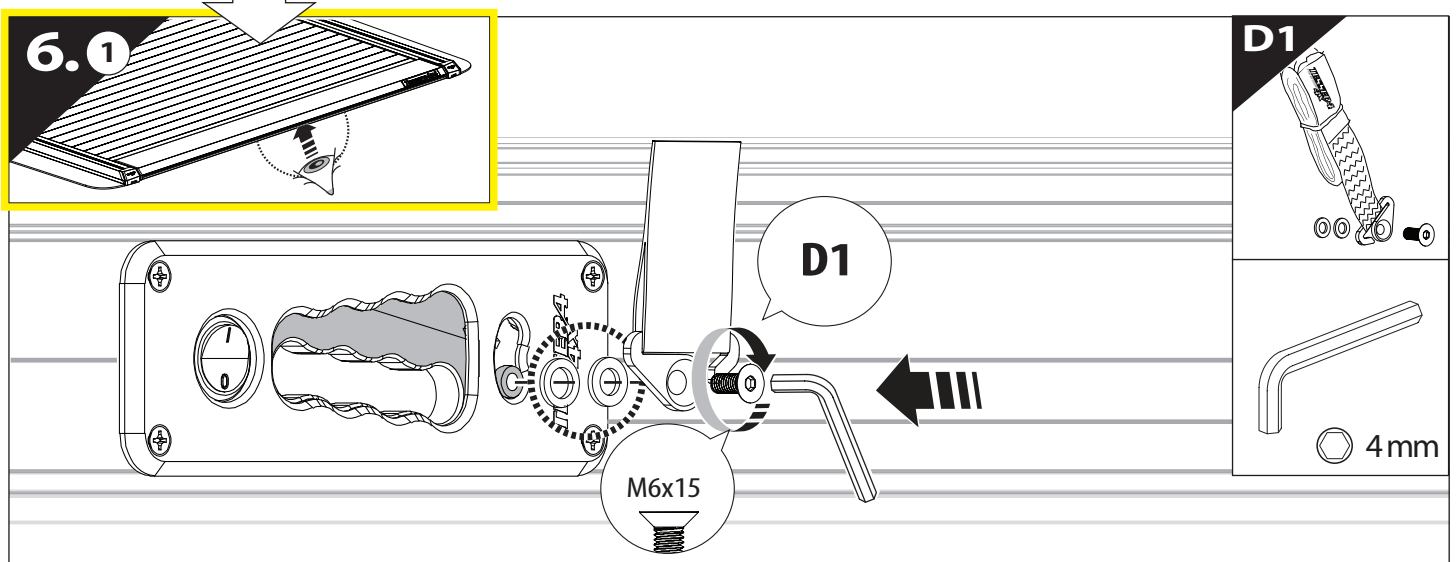
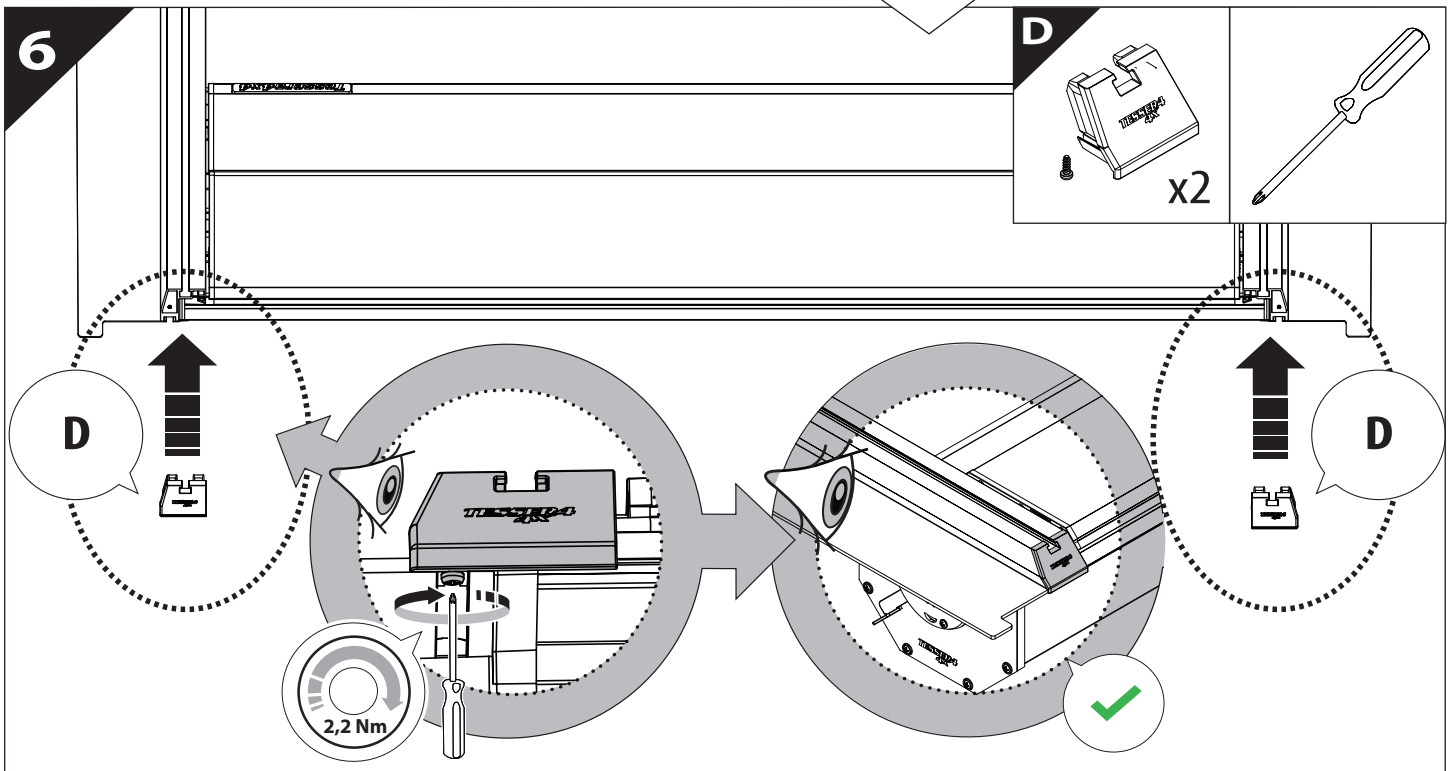
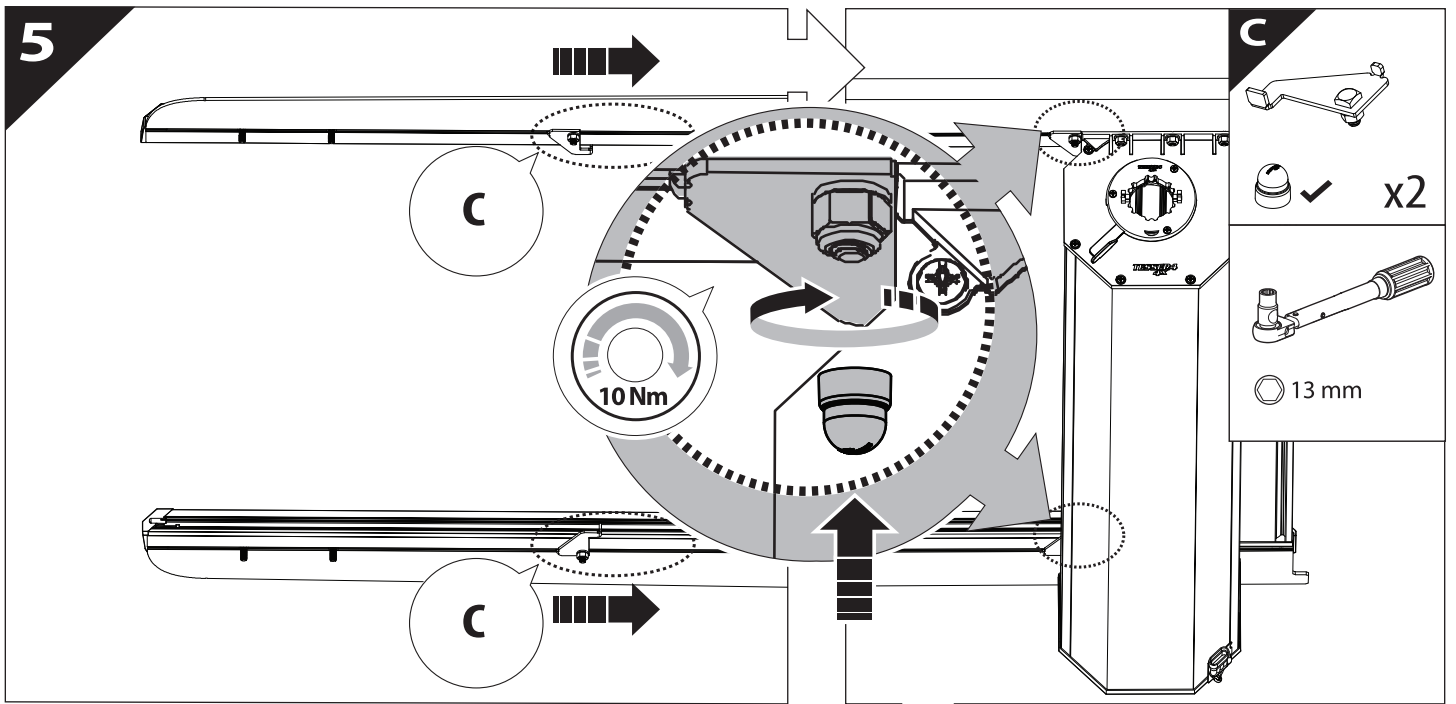


3

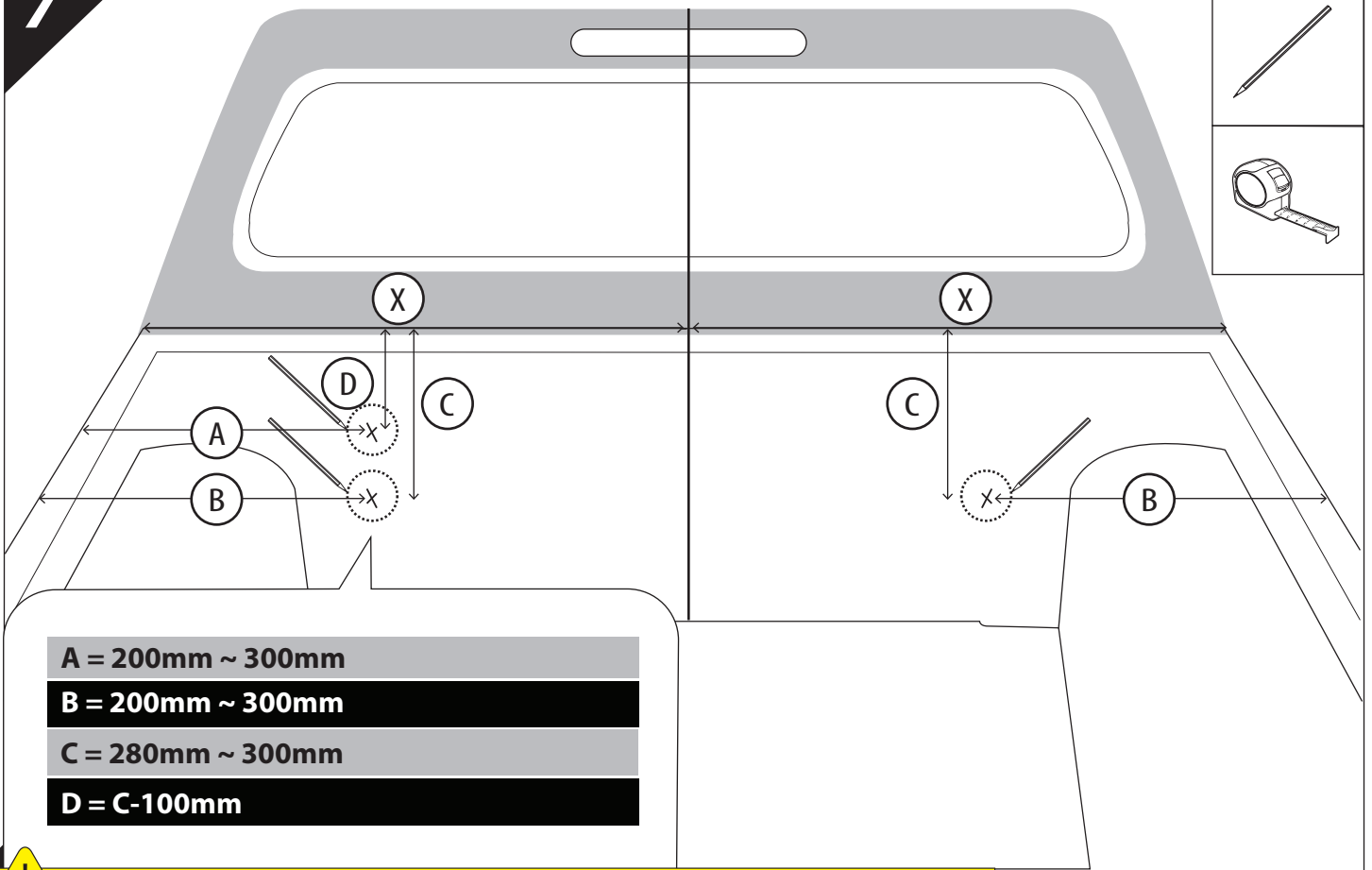
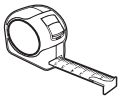


4





7



A = 200mm ~ 300mm

B = 200mm ~ 300mm

C = 280mm ~ 300mm

D = C-100mm

! TRY TO FIND FREE & STRAIGHT SPOTS IN THESE DIMENSIONS ACCORDINGLY

8



Ø 25 mm



Rust Protection

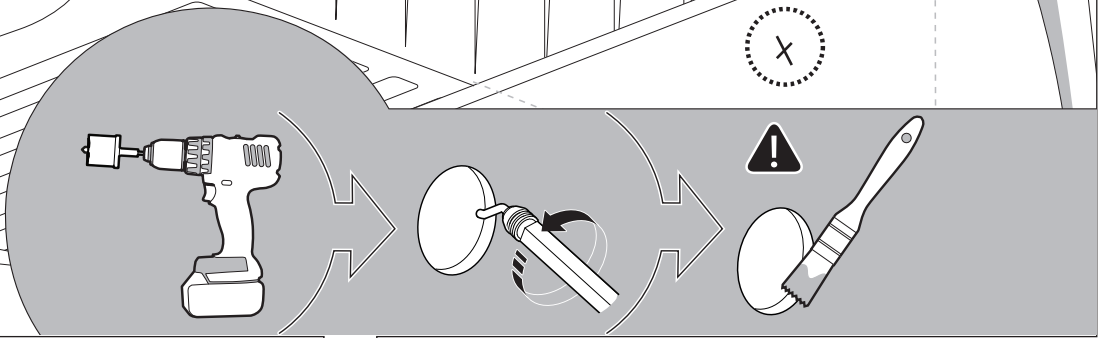
CAUTION

max: 2 mm



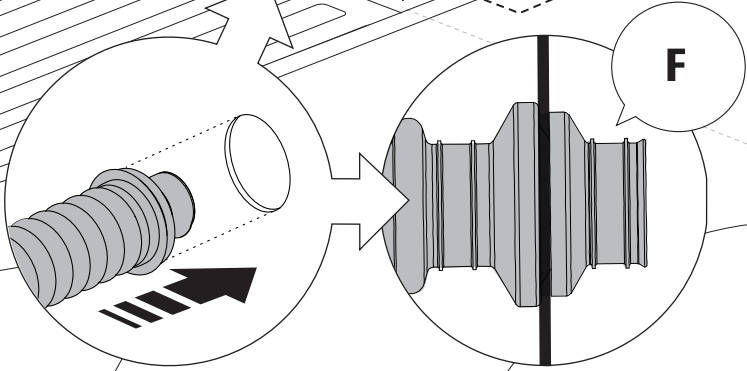
CAUTION

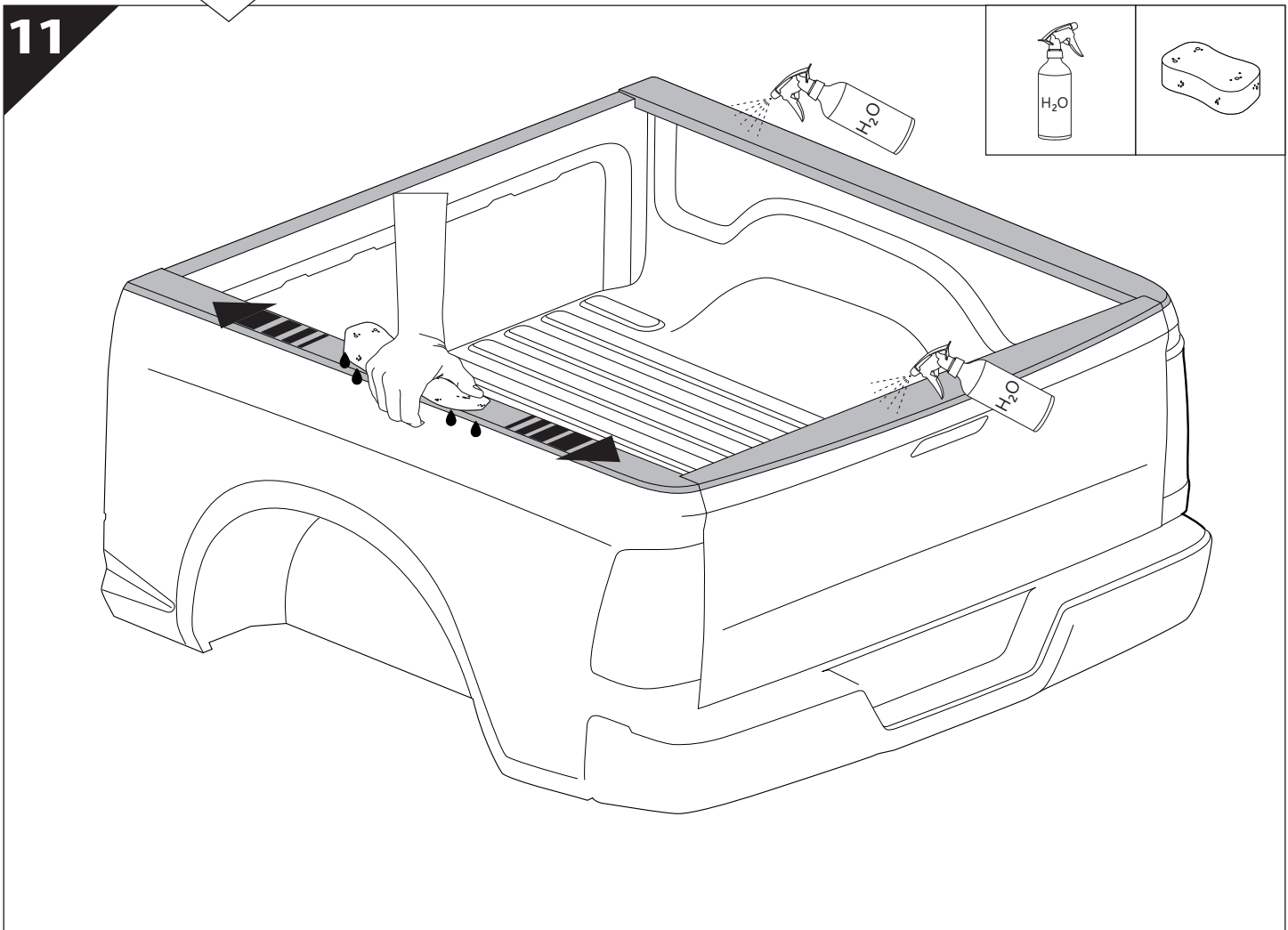
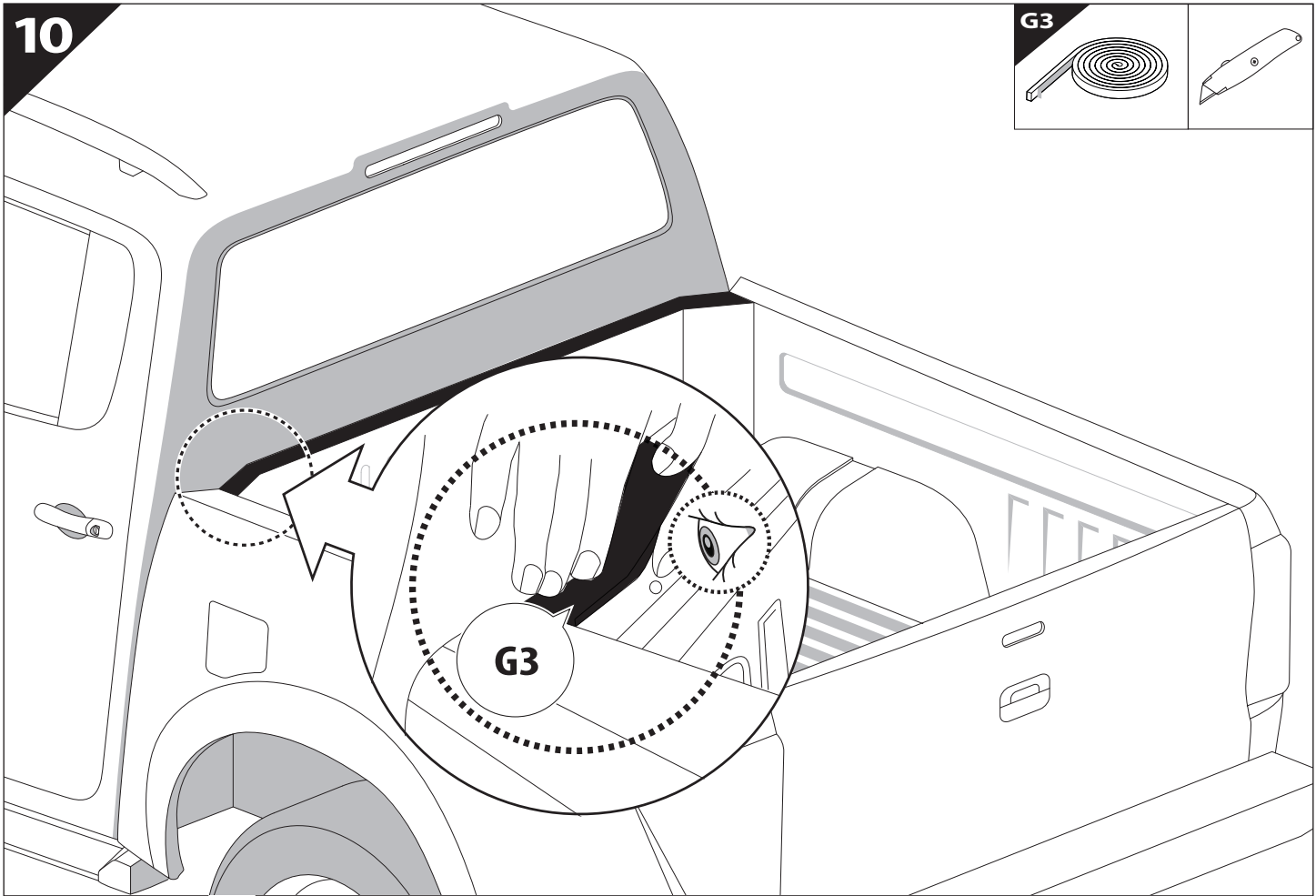
5 mm

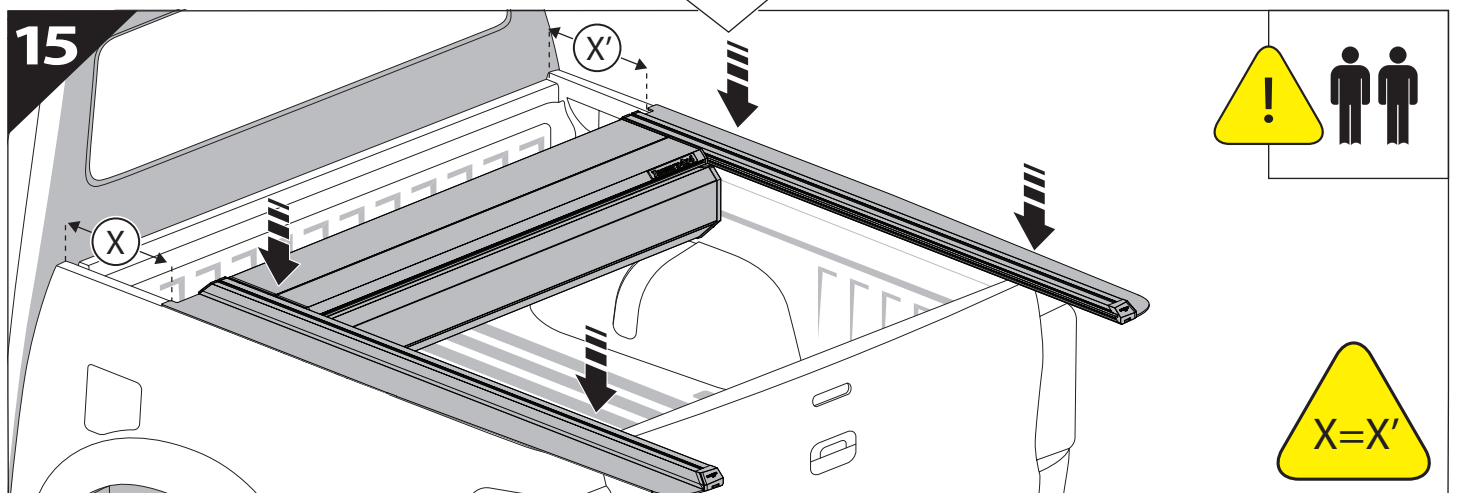
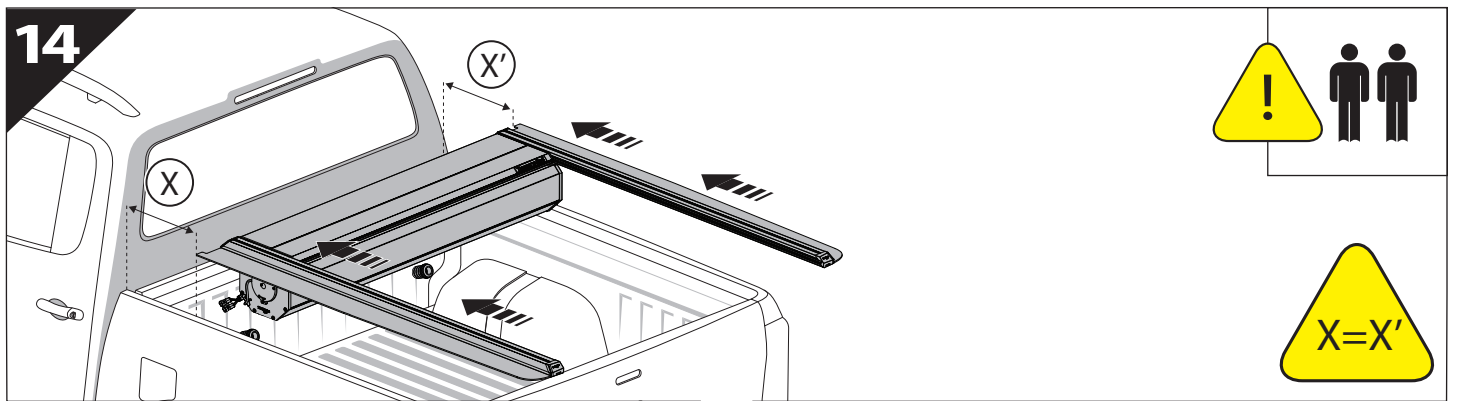
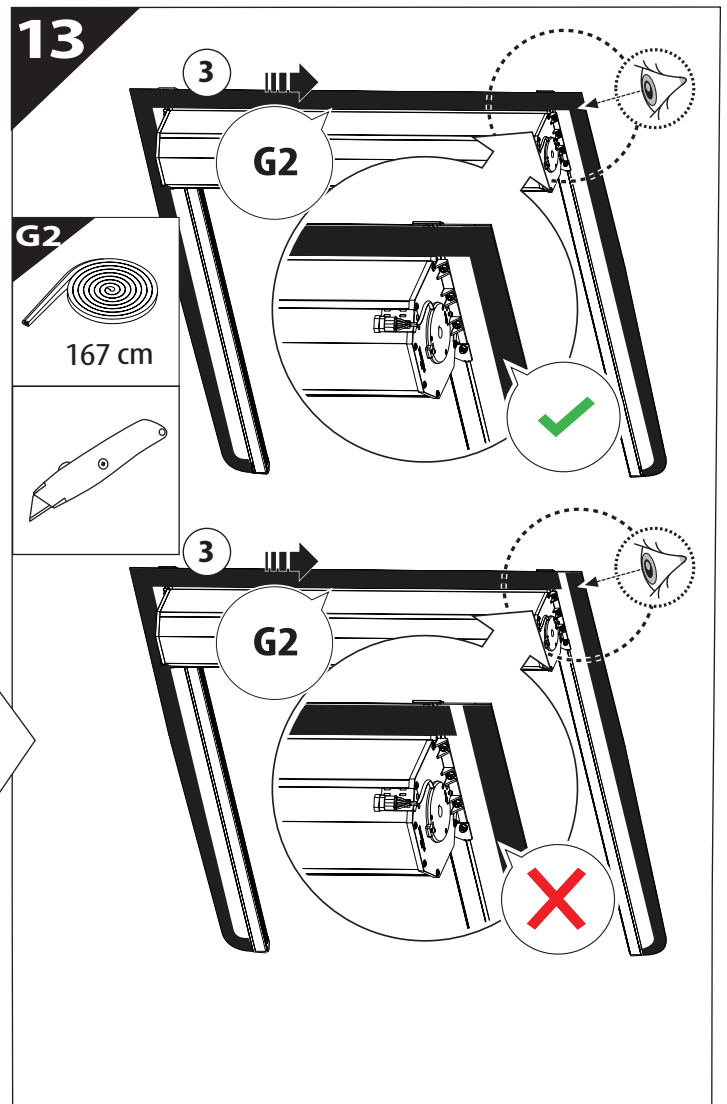
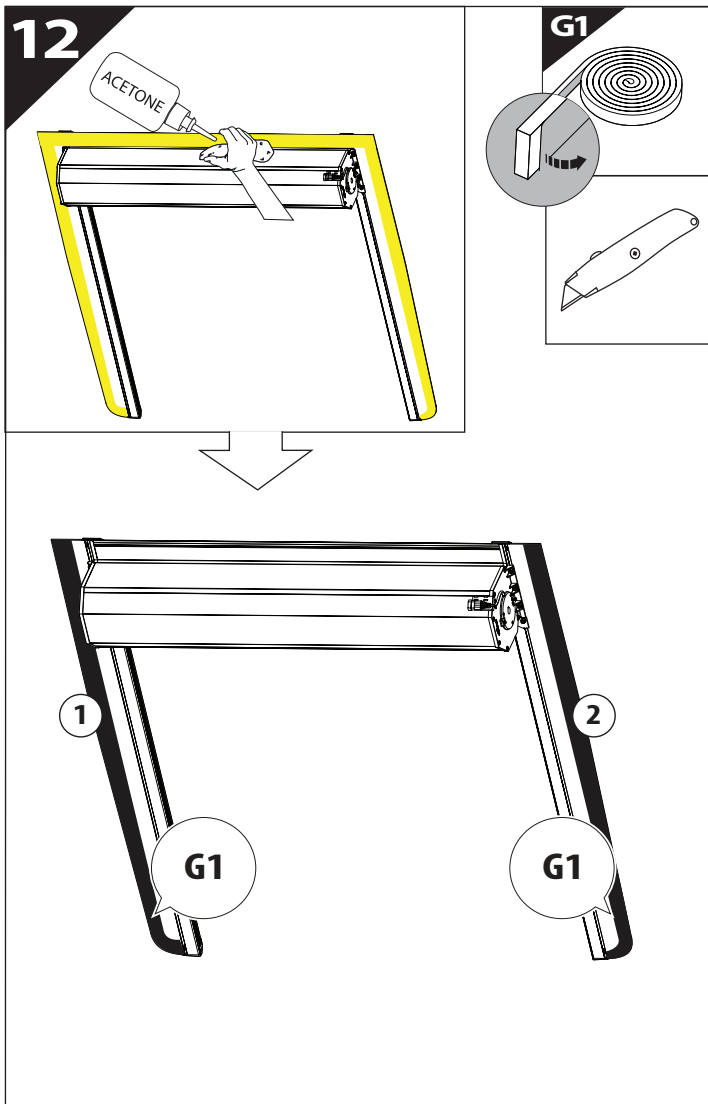


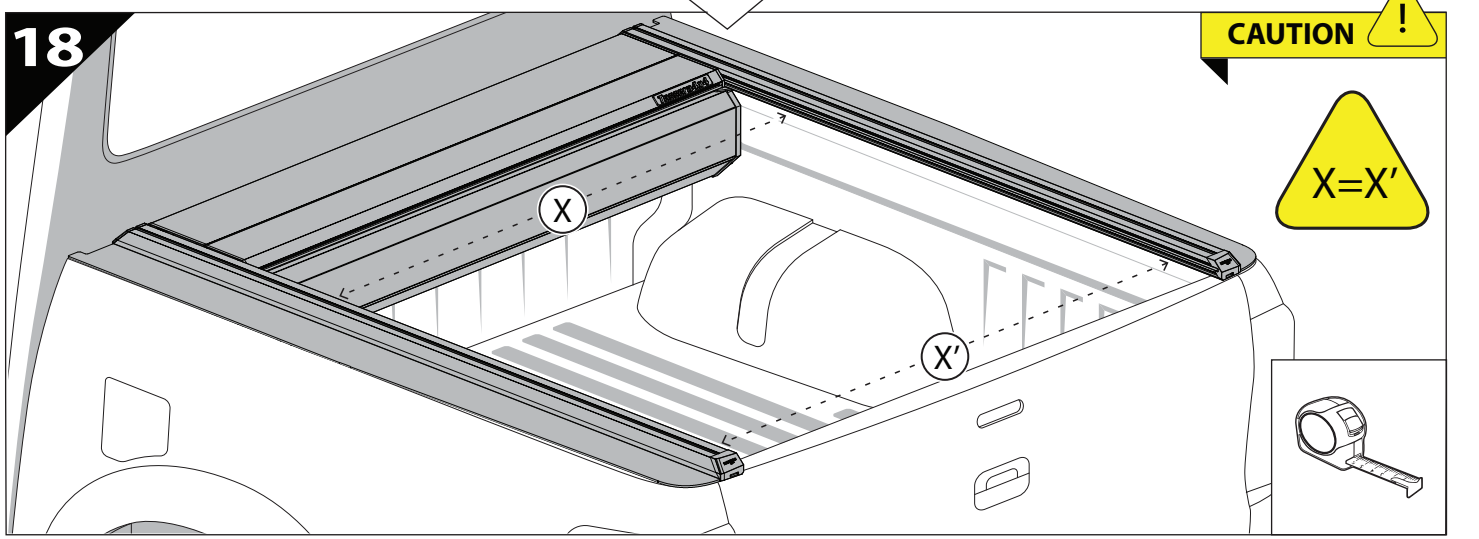
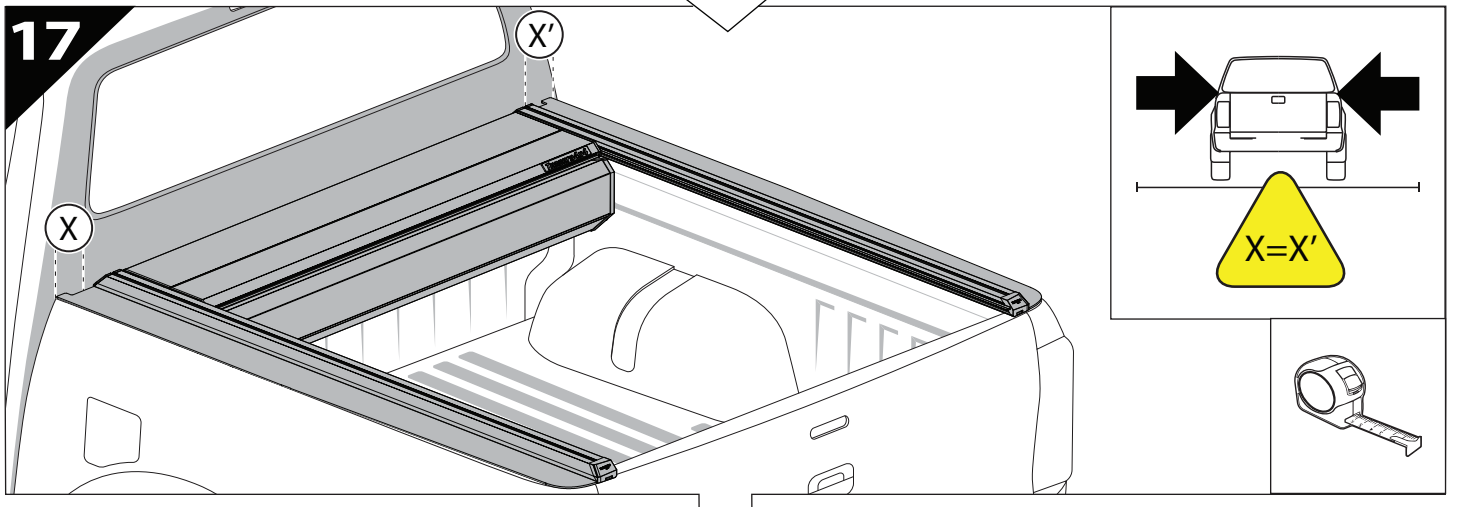
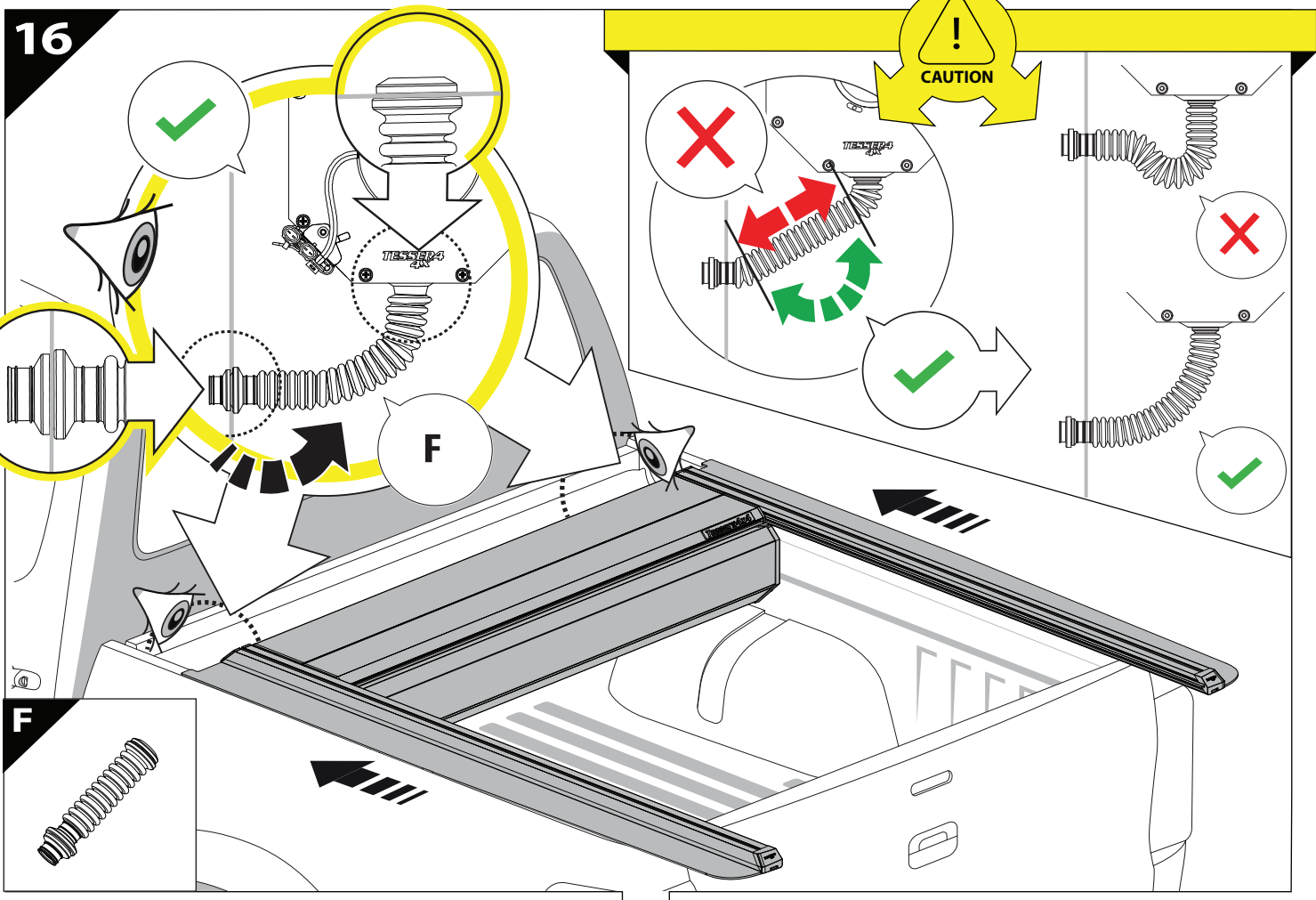
9

F

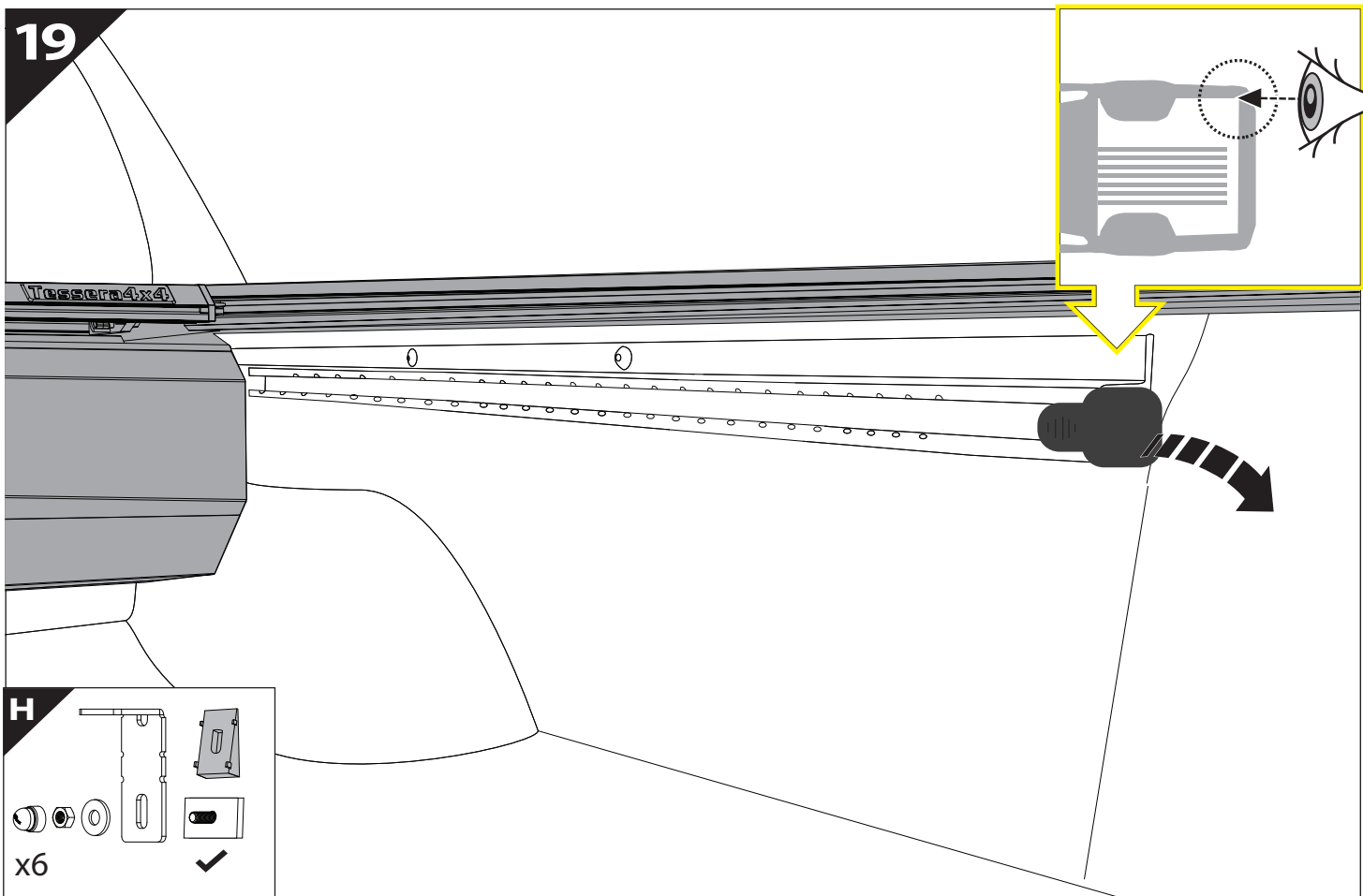




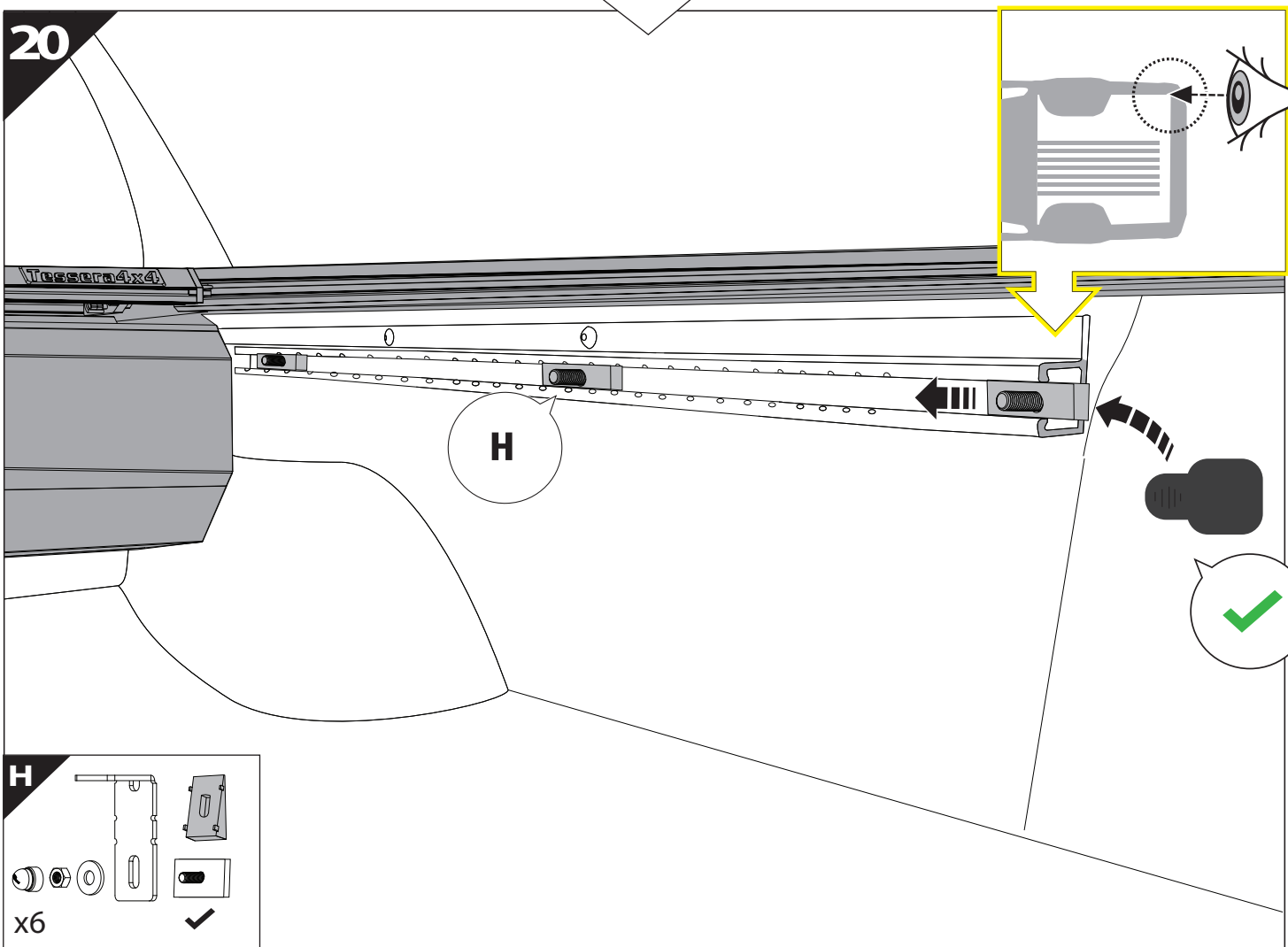




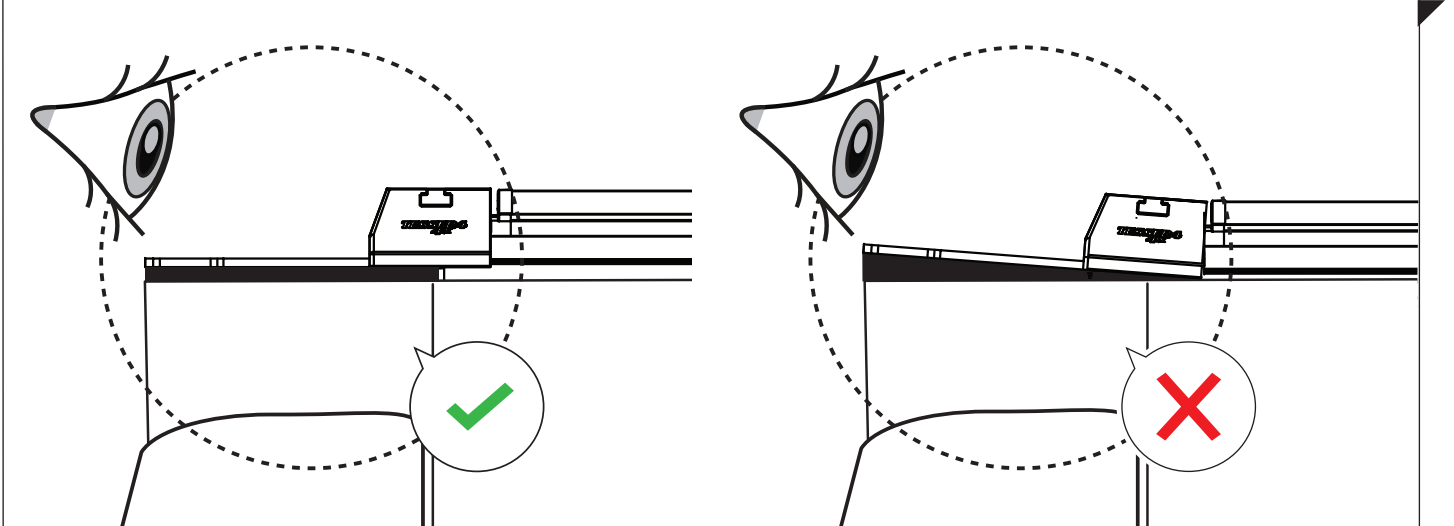
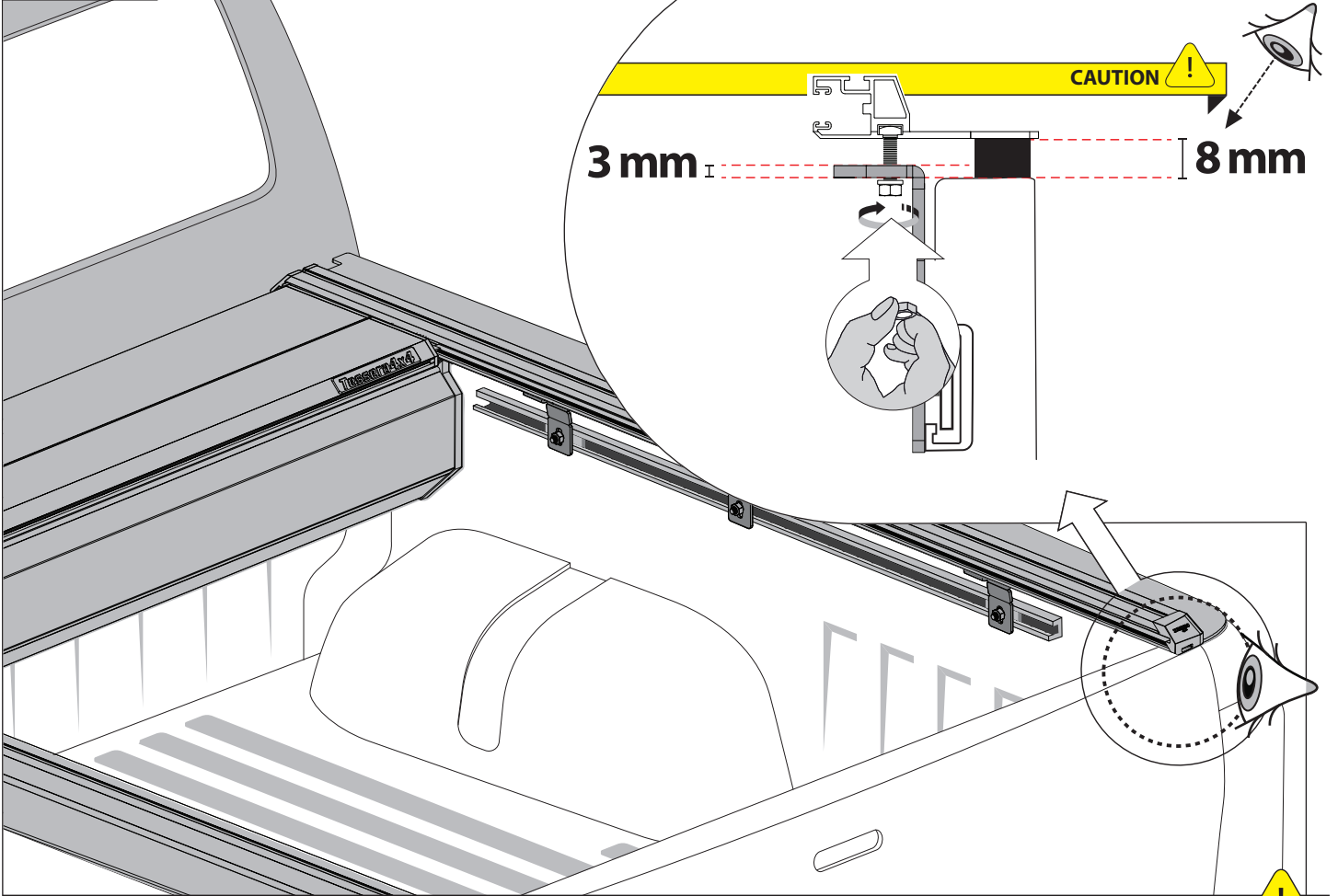
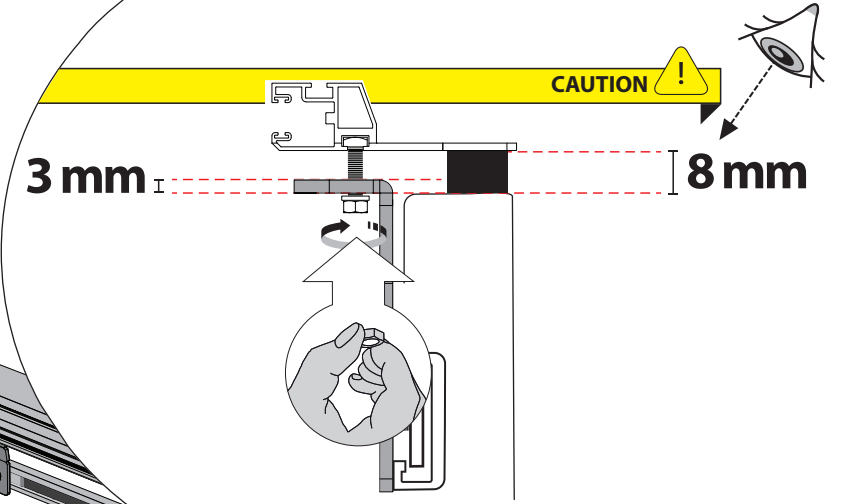
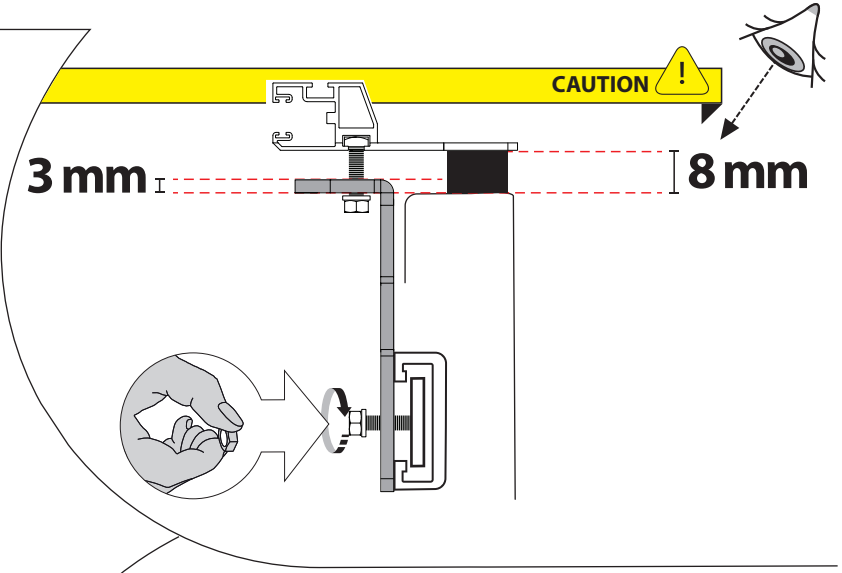
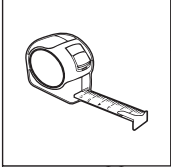
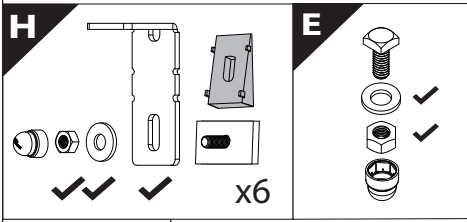
19

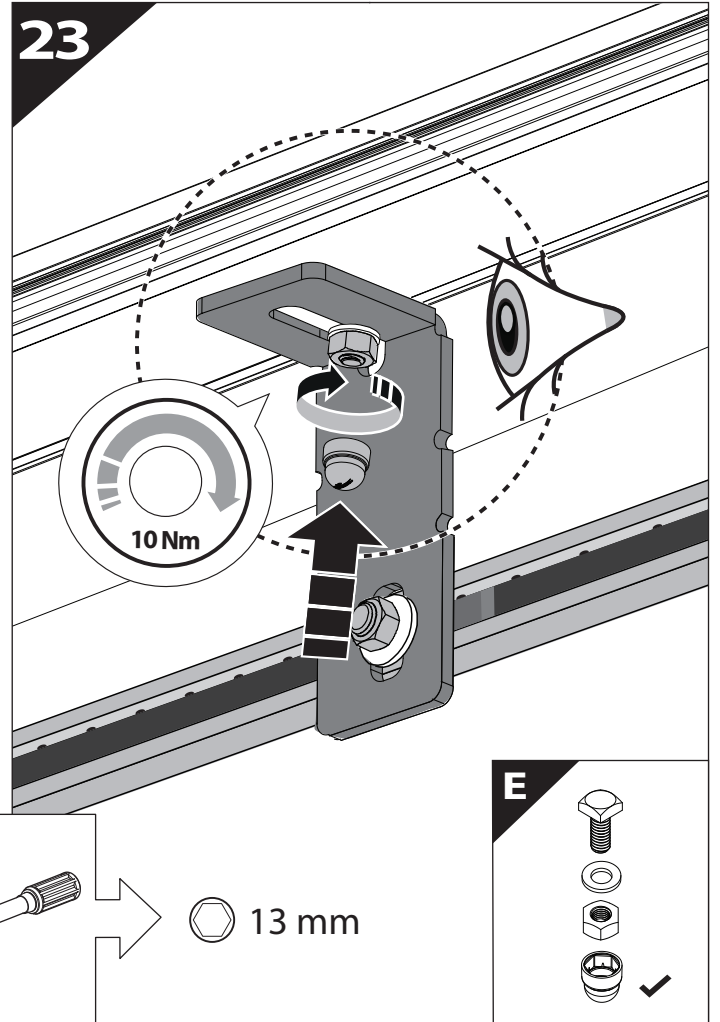
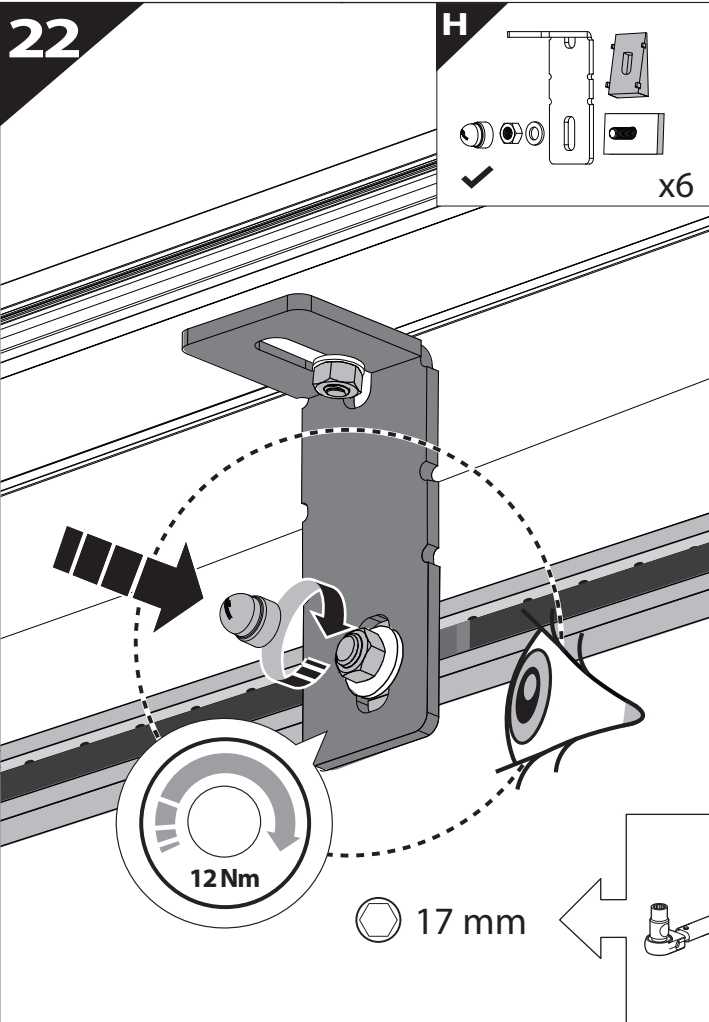


20

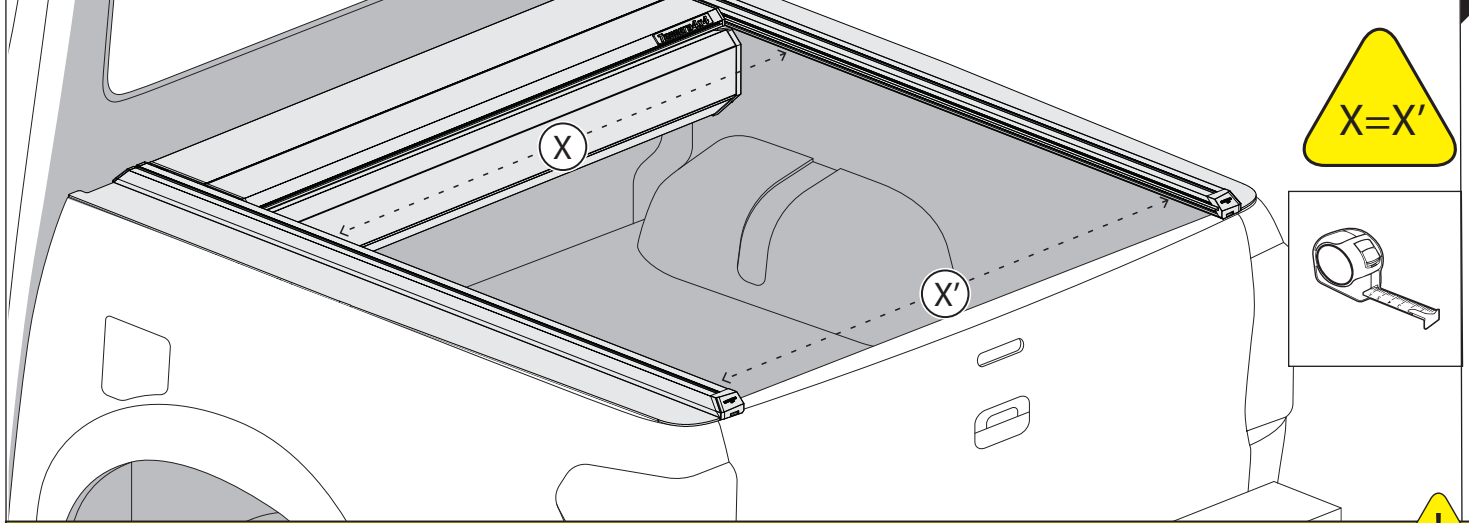


21

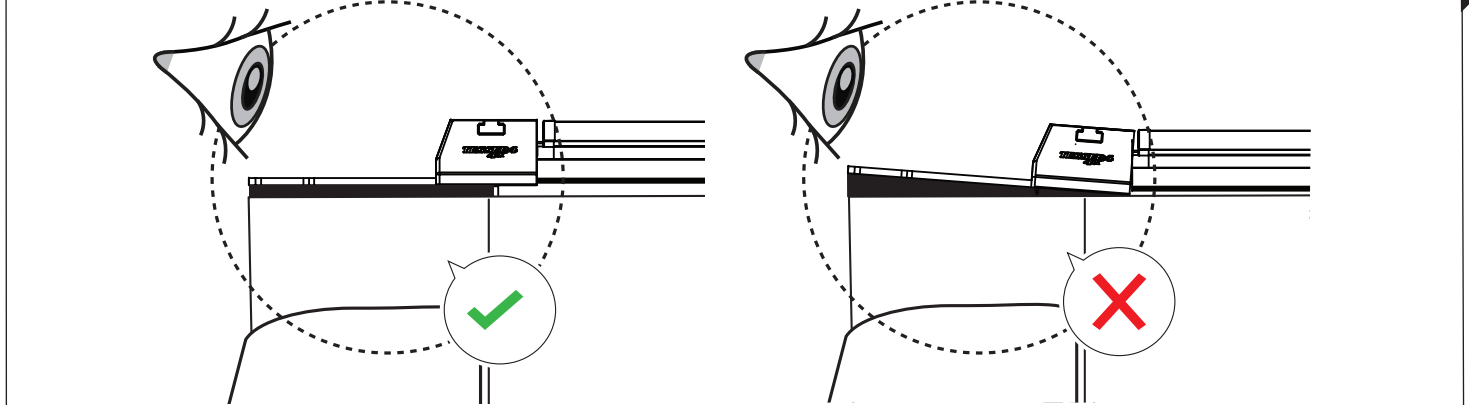


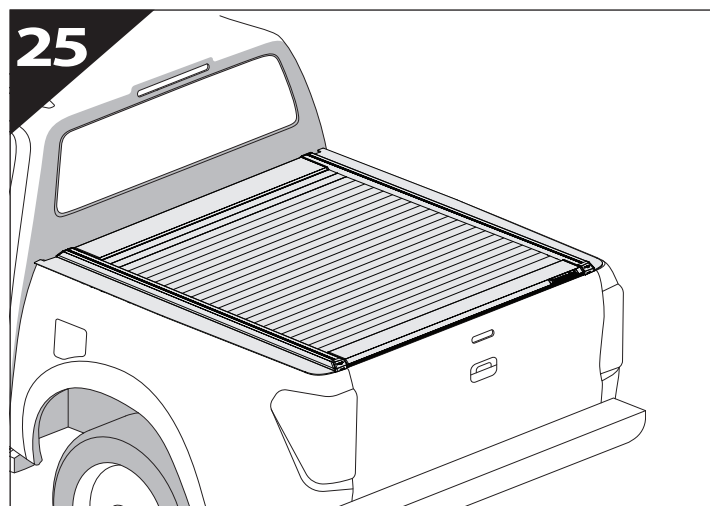
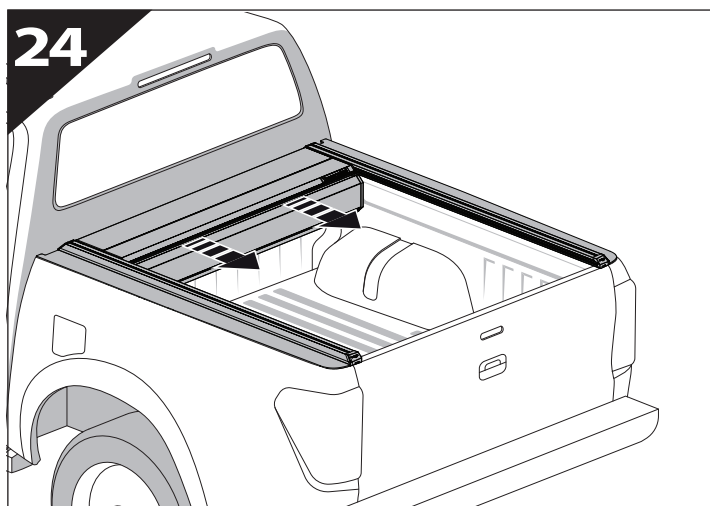


CAUTION !



CAUTION !





GR: Οδηγίες Εγκατάστασης
GB: Installation manual
SF: Asennusohje
F: Notice de montage
PL: Instrukcja montażu
NL: Installatie-instructies
TR: Montaj Talimatı
S: Monteringsanvisning
E: Instrucciones de montaje

H: Szerelési utasítás
P: Instruções de instalação
RUS: Инструкция по установке
N: Monteringsveiledning
D: Einbauanleitung
CZ: Návod k instalaci
I: Istruzioni de montaggio
DK: Monteringsvejledning
RO: Instructiuni de instalare

Customer Service:

+30 (210) 5541161, +30 (210) 5541154 (08:00 - 16:00 EET)

Support department:

info@gianso.gr

Website:

www.tessera4x4.com

Address:

19.5 km of National road Athens-Korinthos (Elefsina) Greece, P.C: 19200