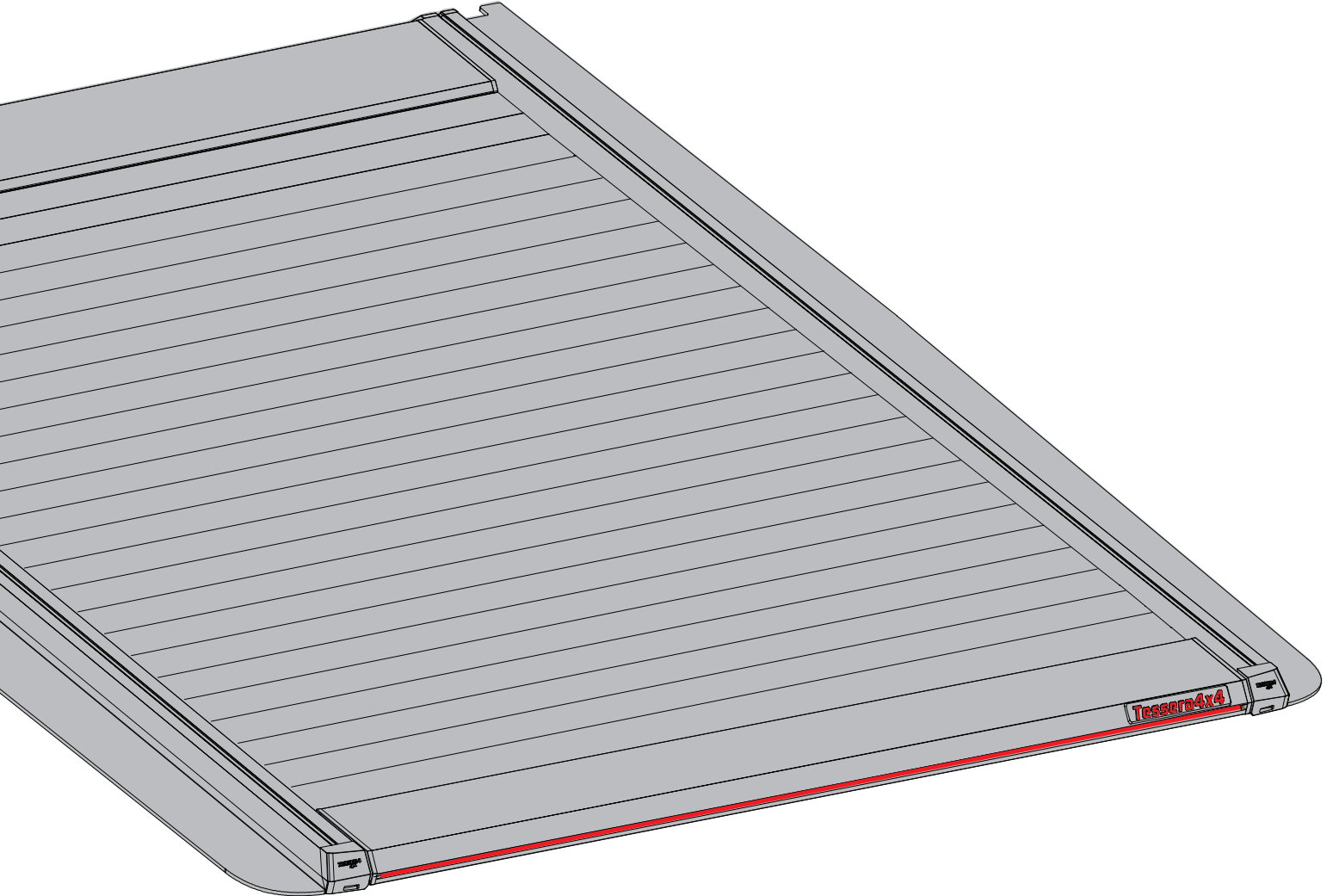


# Tessera Roll+

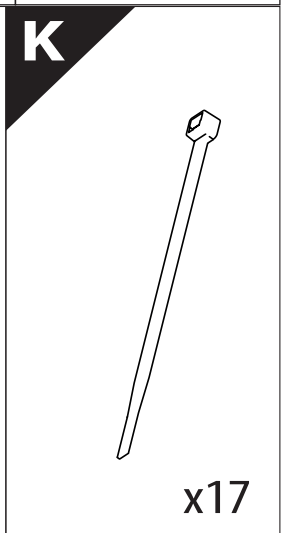
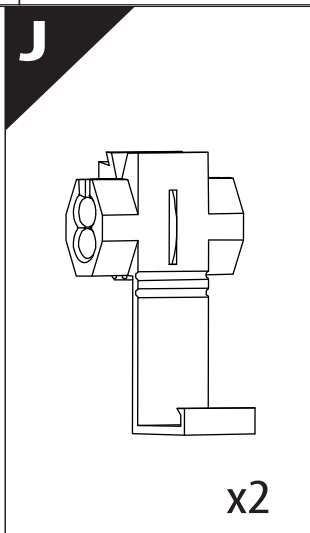
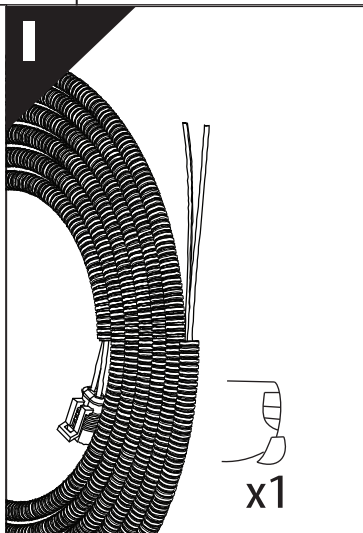
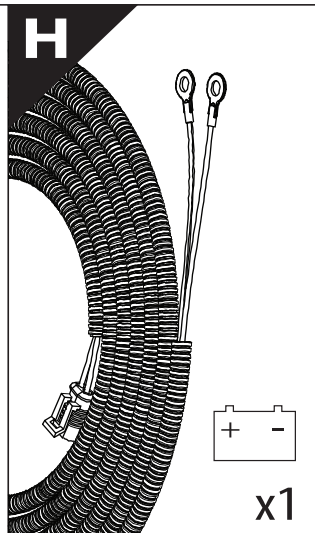
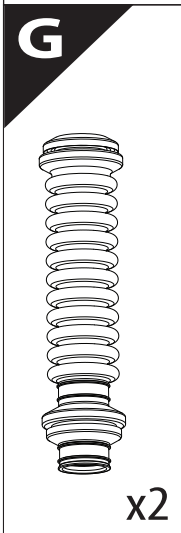
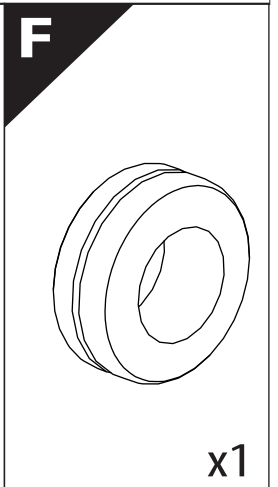
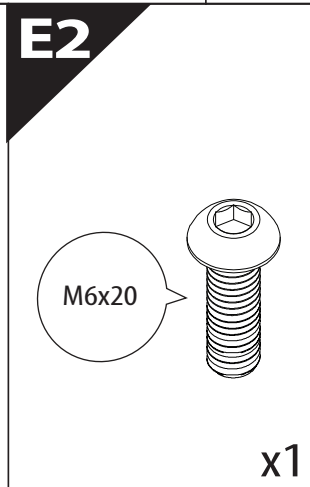
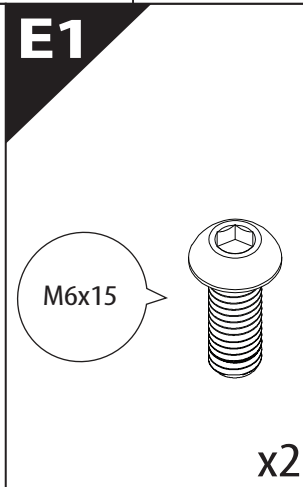
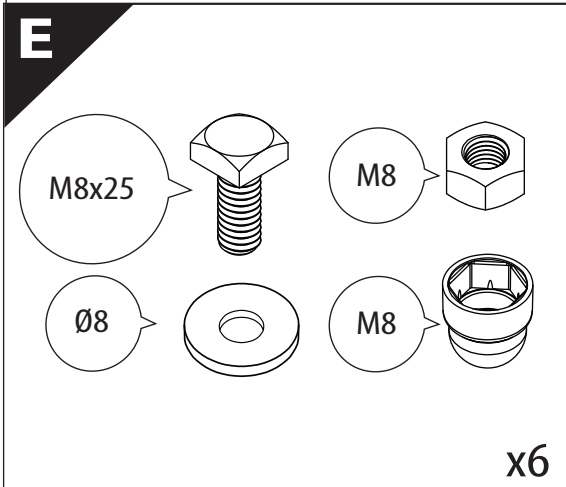
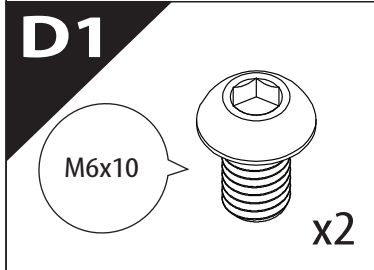
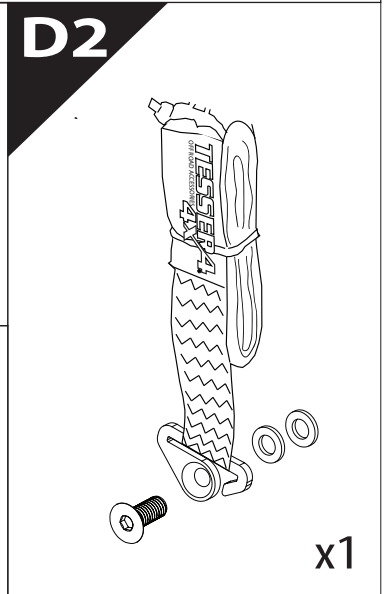
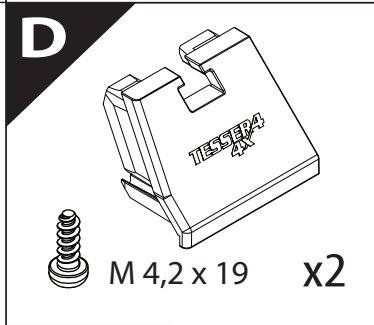
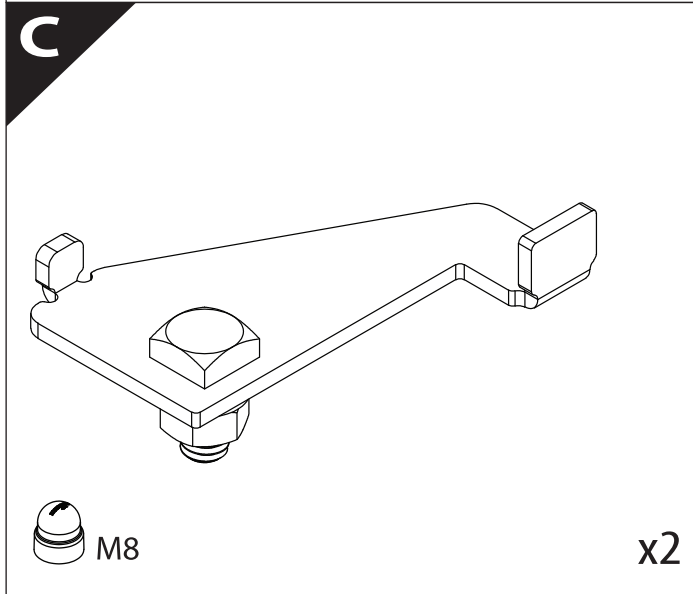
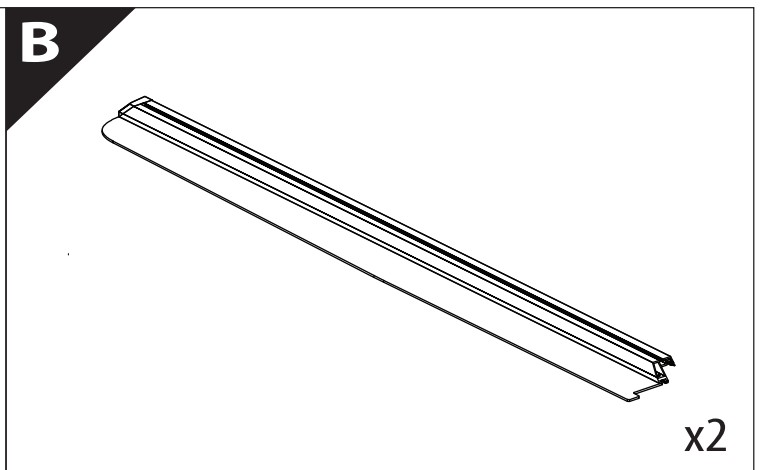
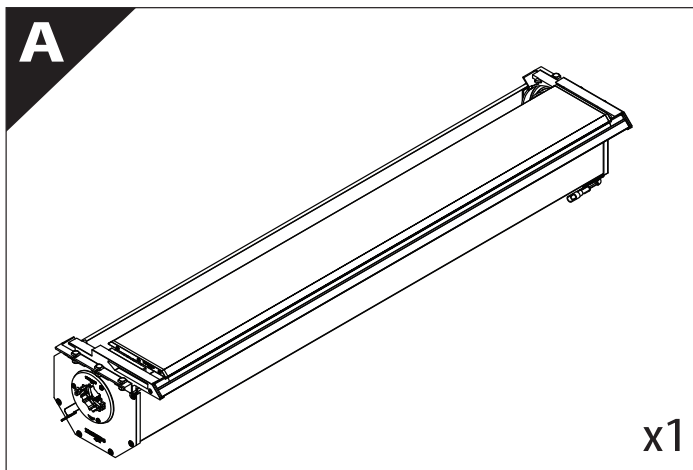
## Basic Version + ⚡ E-KIT

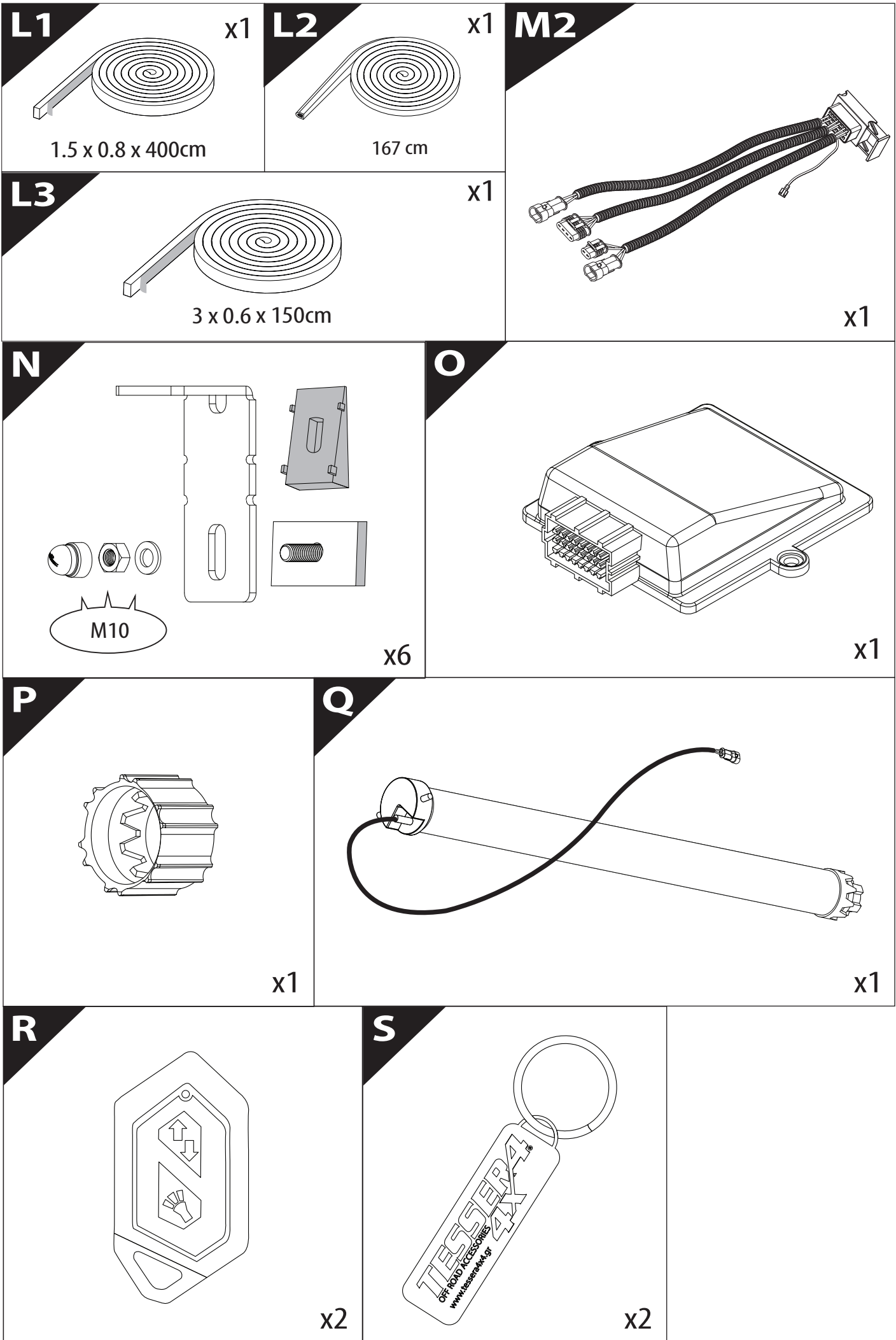


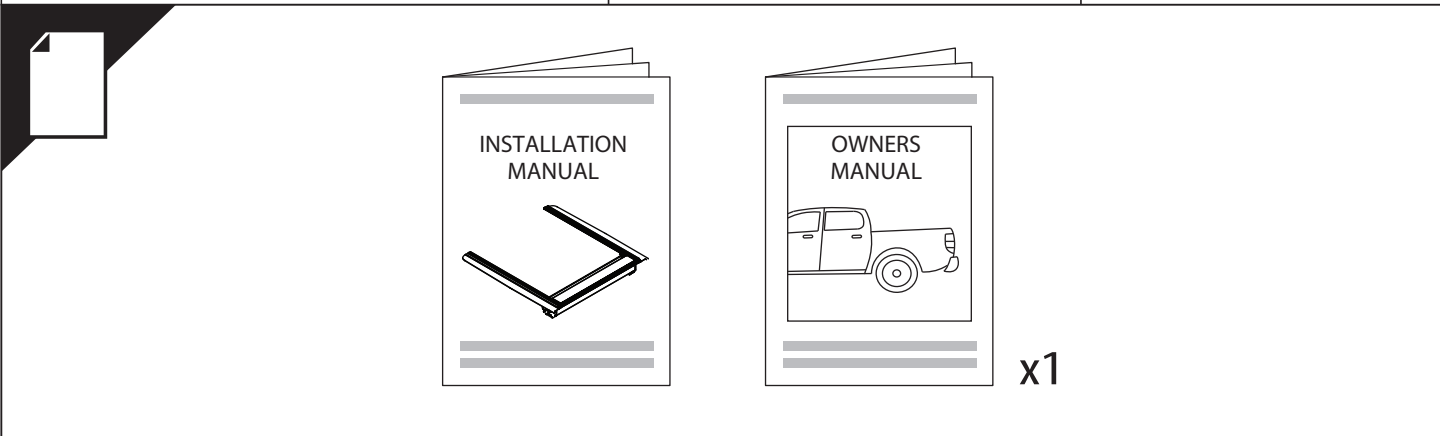
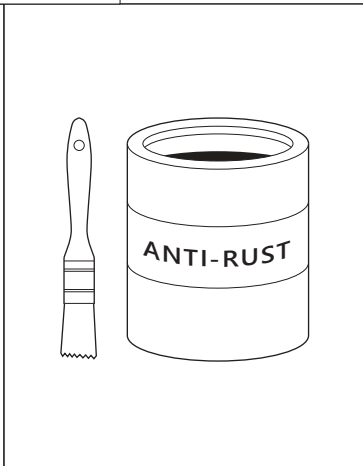
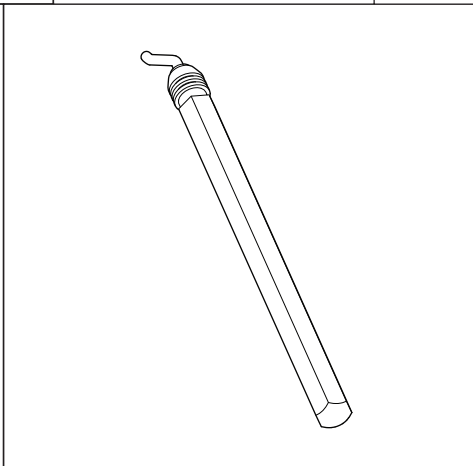
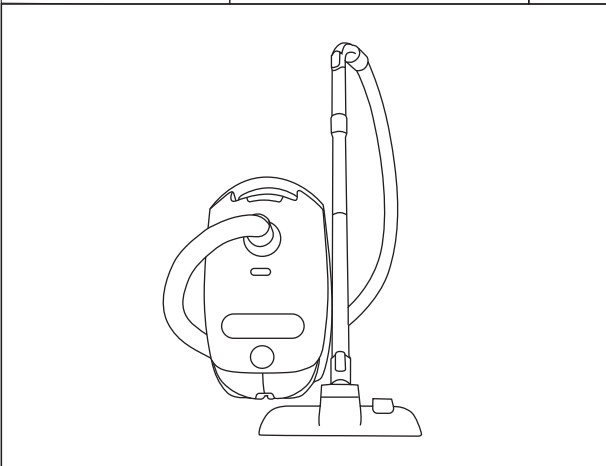
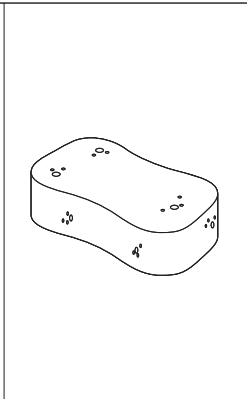
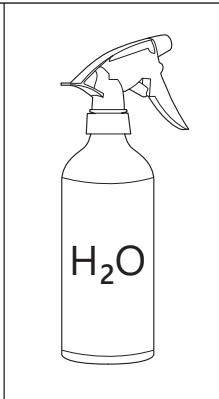
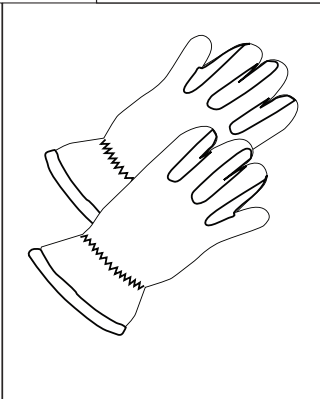
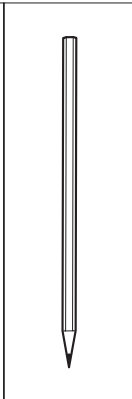
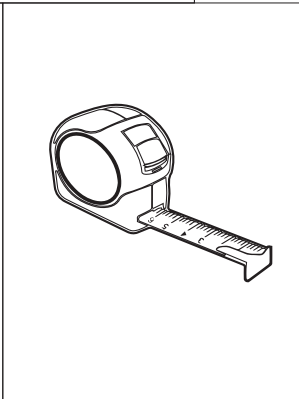
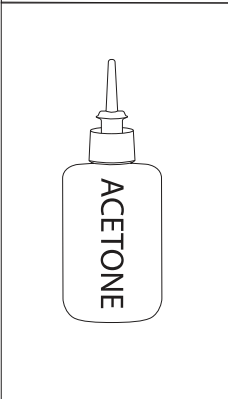
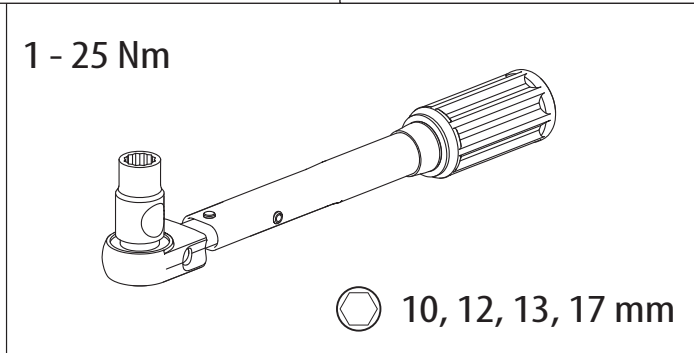
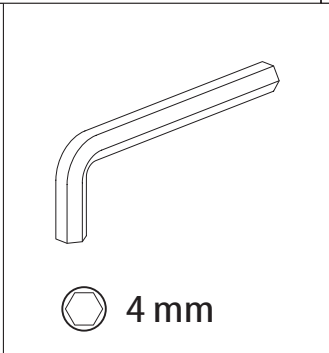
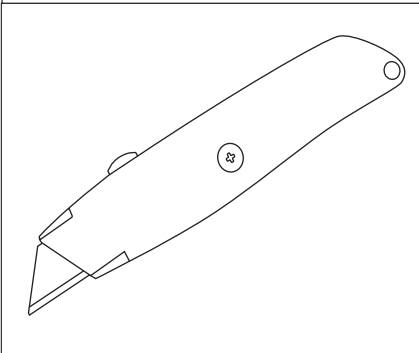
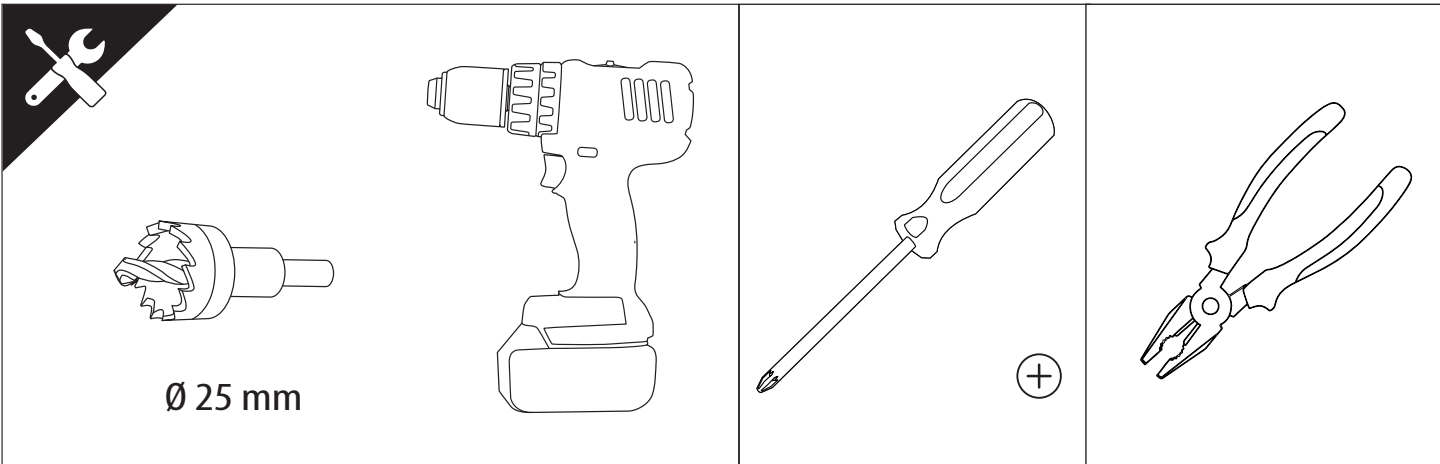
## Installation Manual

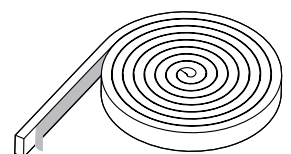
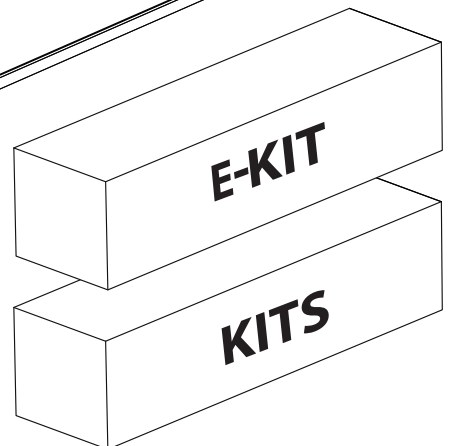
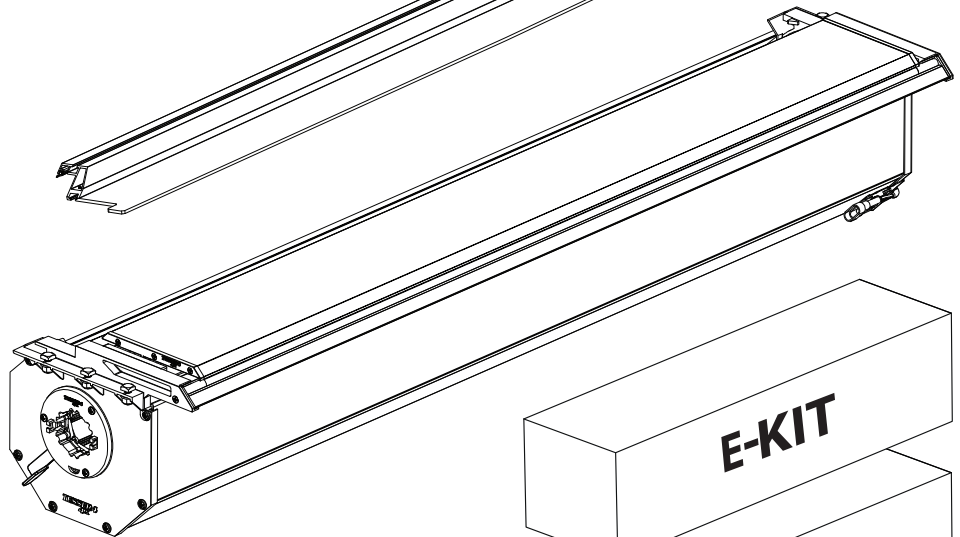
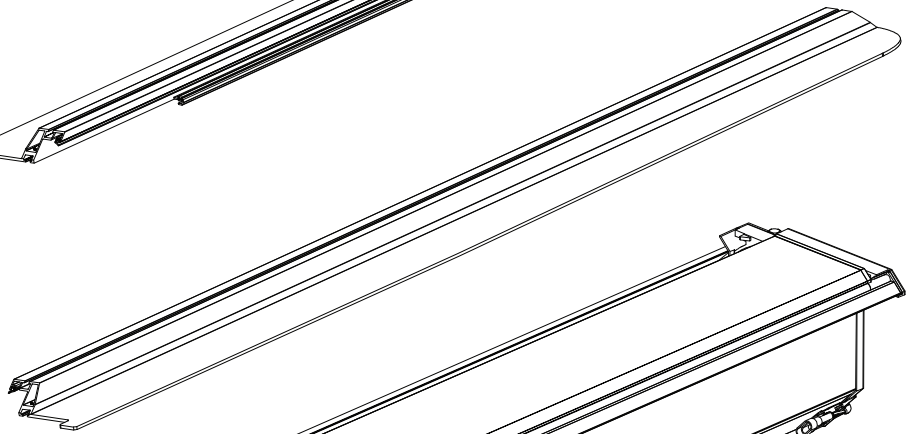
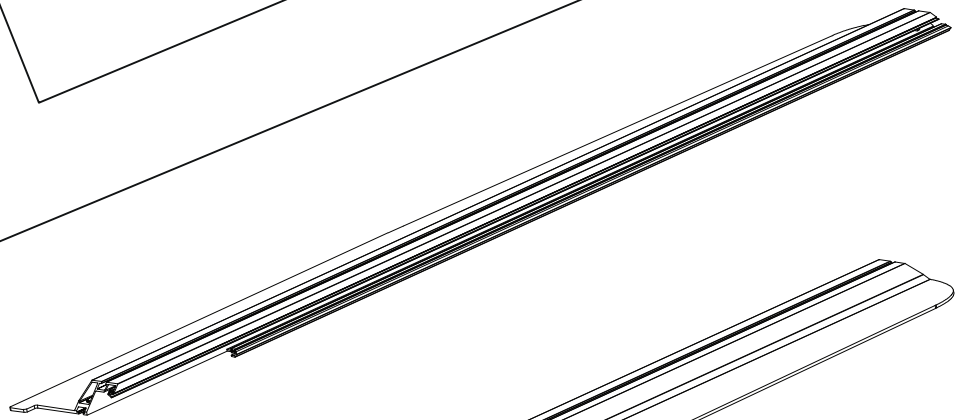
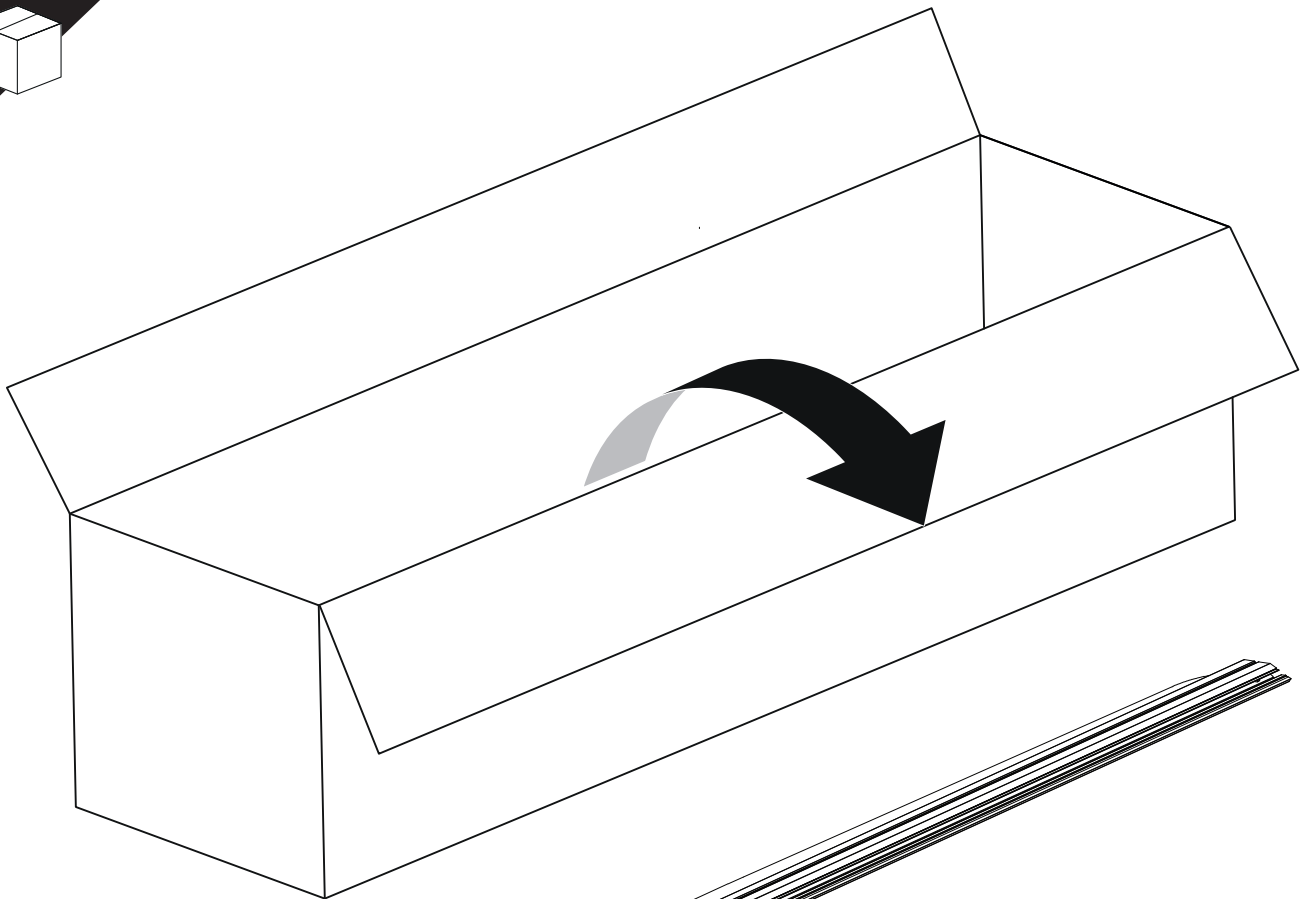
PART NUMBER(S)	Model Year
TESS 1433 ROLL+E-KIT	Toyota Tacoma 2024+
TESS 14331 ROLL+E-KIT	
Cab(s)	Installation Time / Weight
5 Feet & 6 Feet	40-60 minutes / 53-57 kg









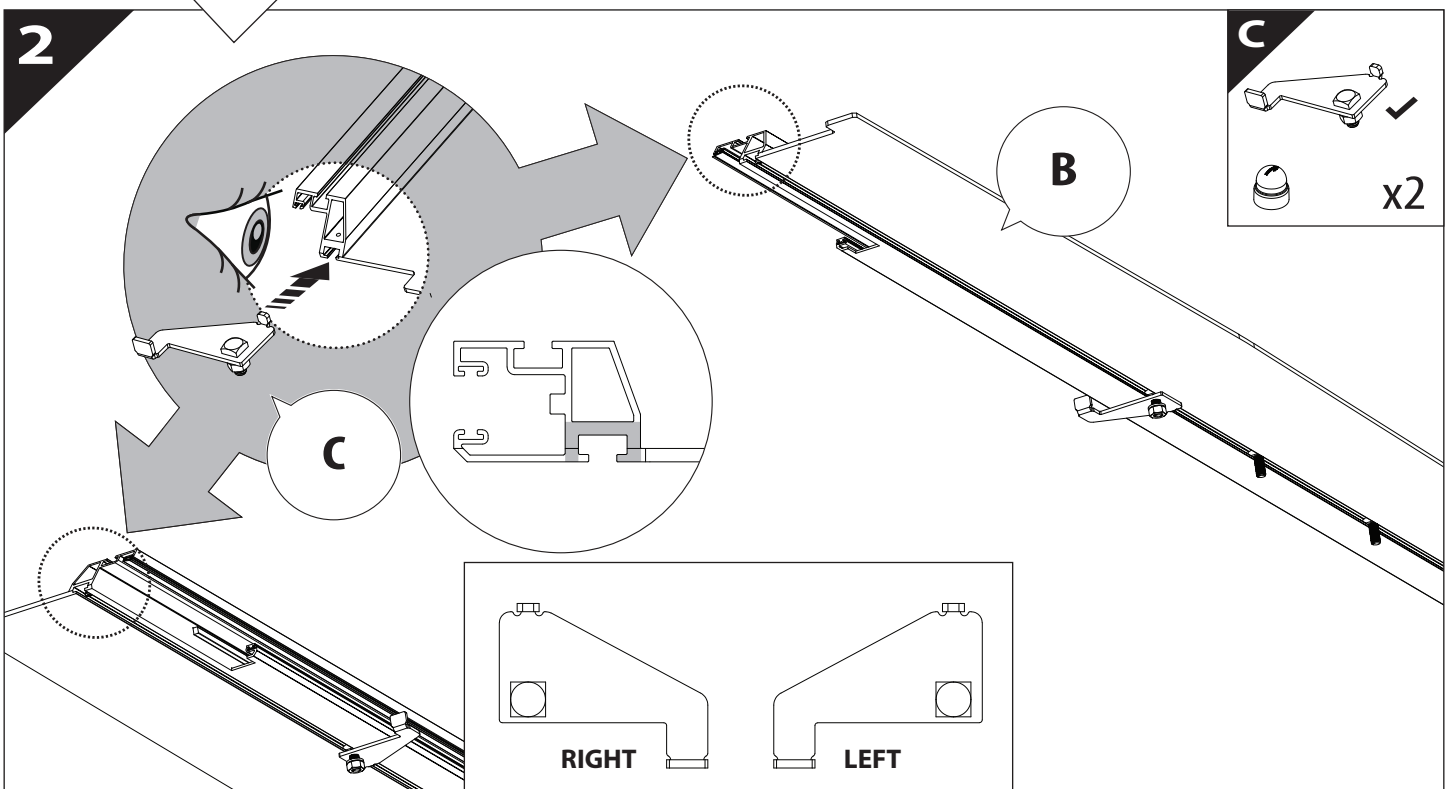
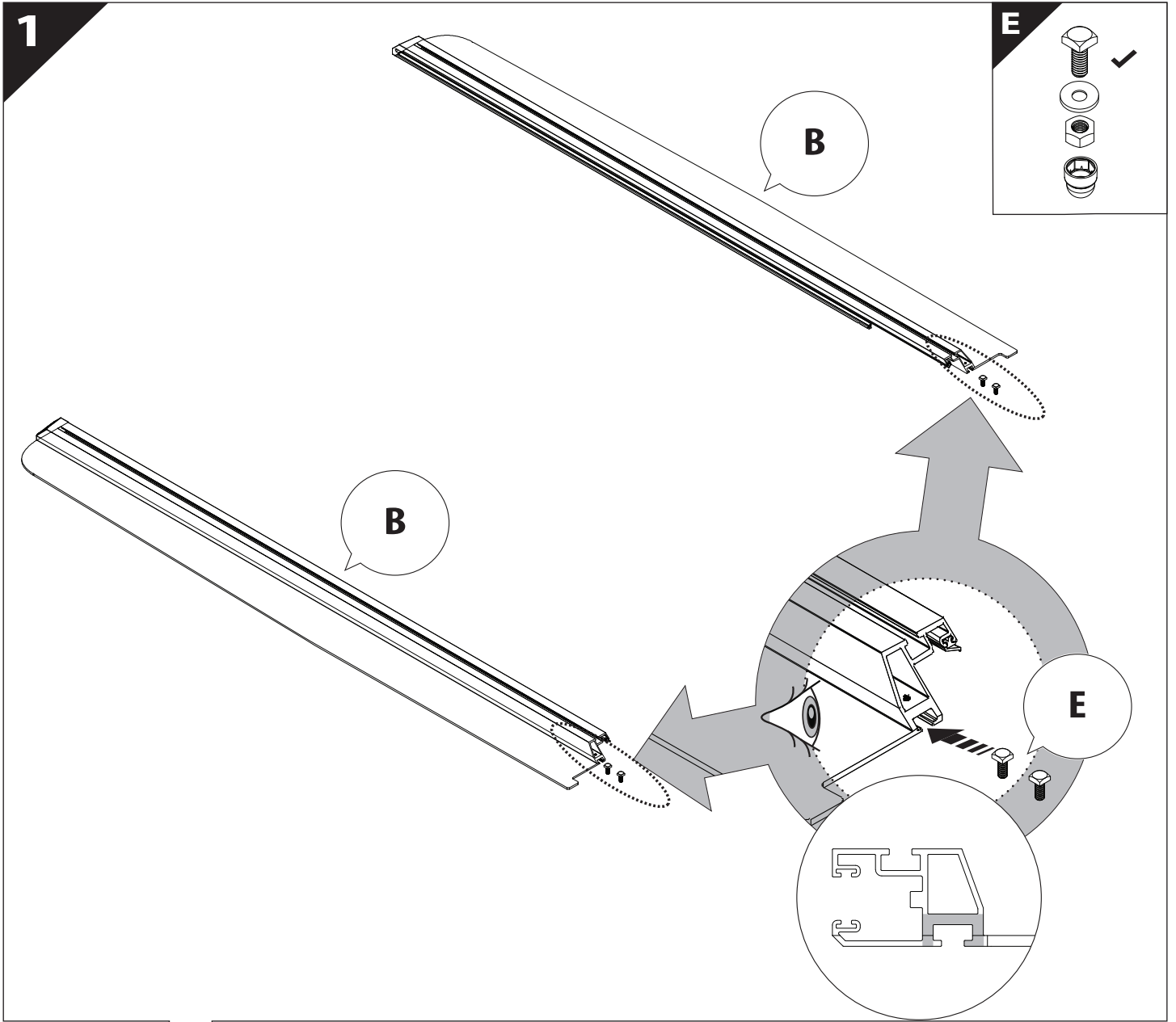


**B**

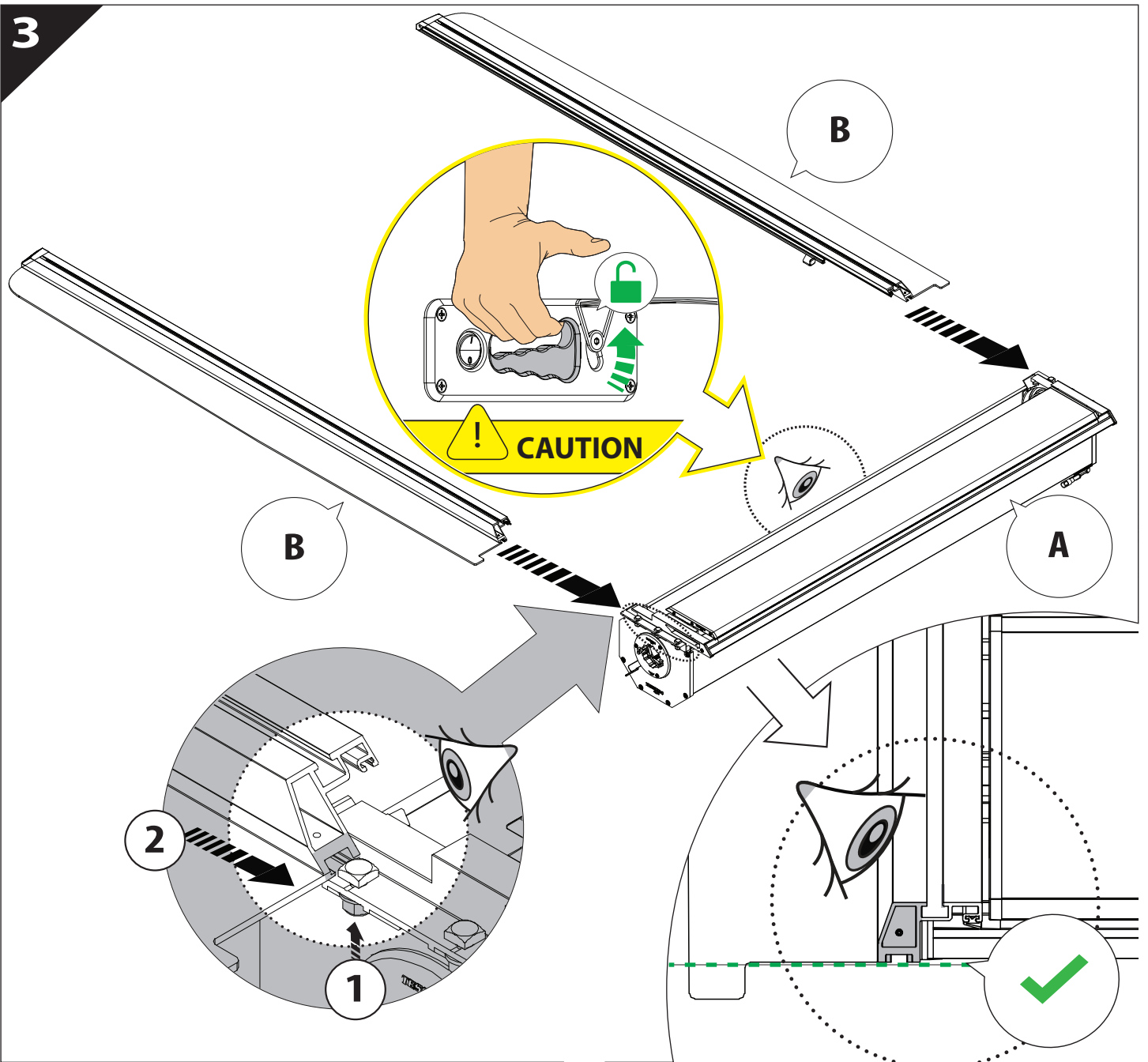
**A**

**KITS**

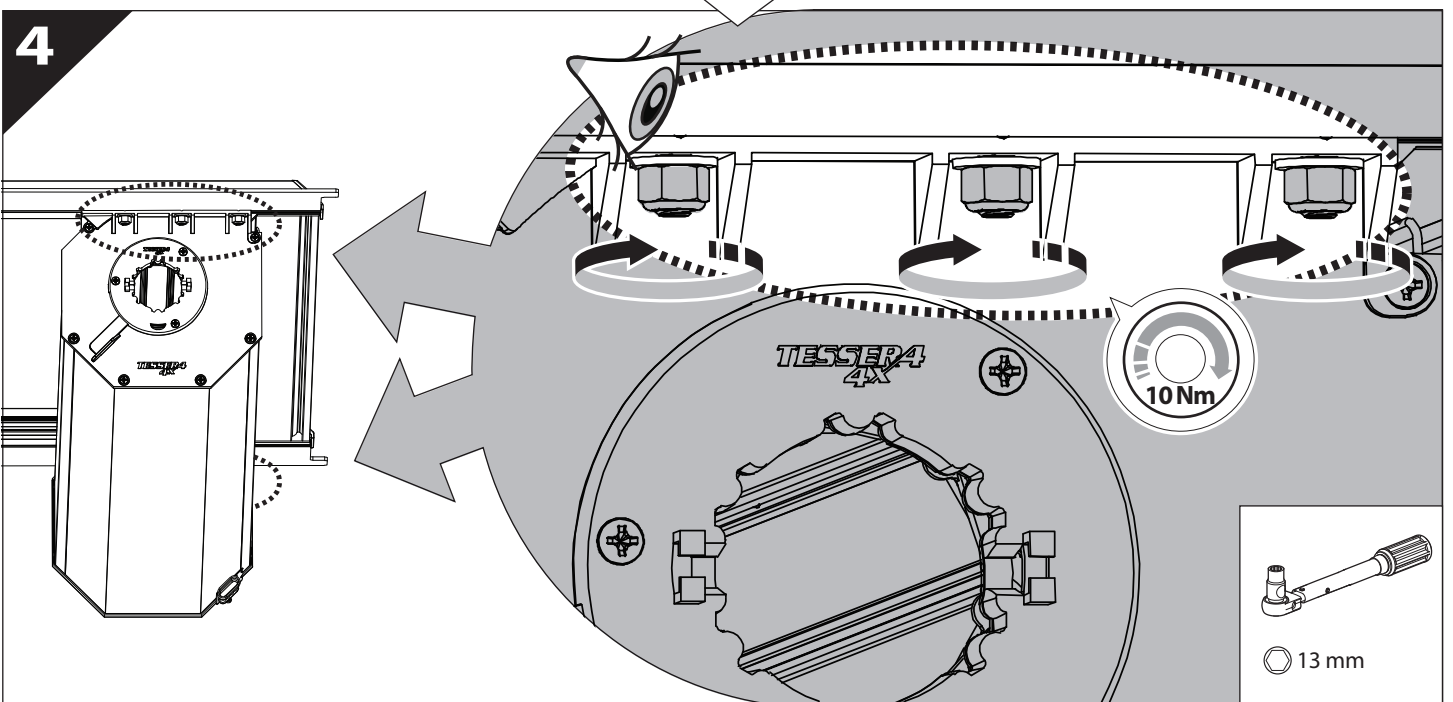
**L**



3

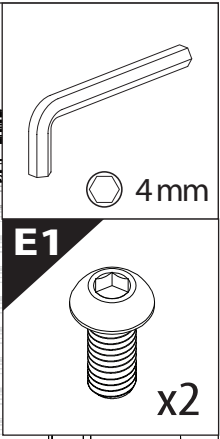
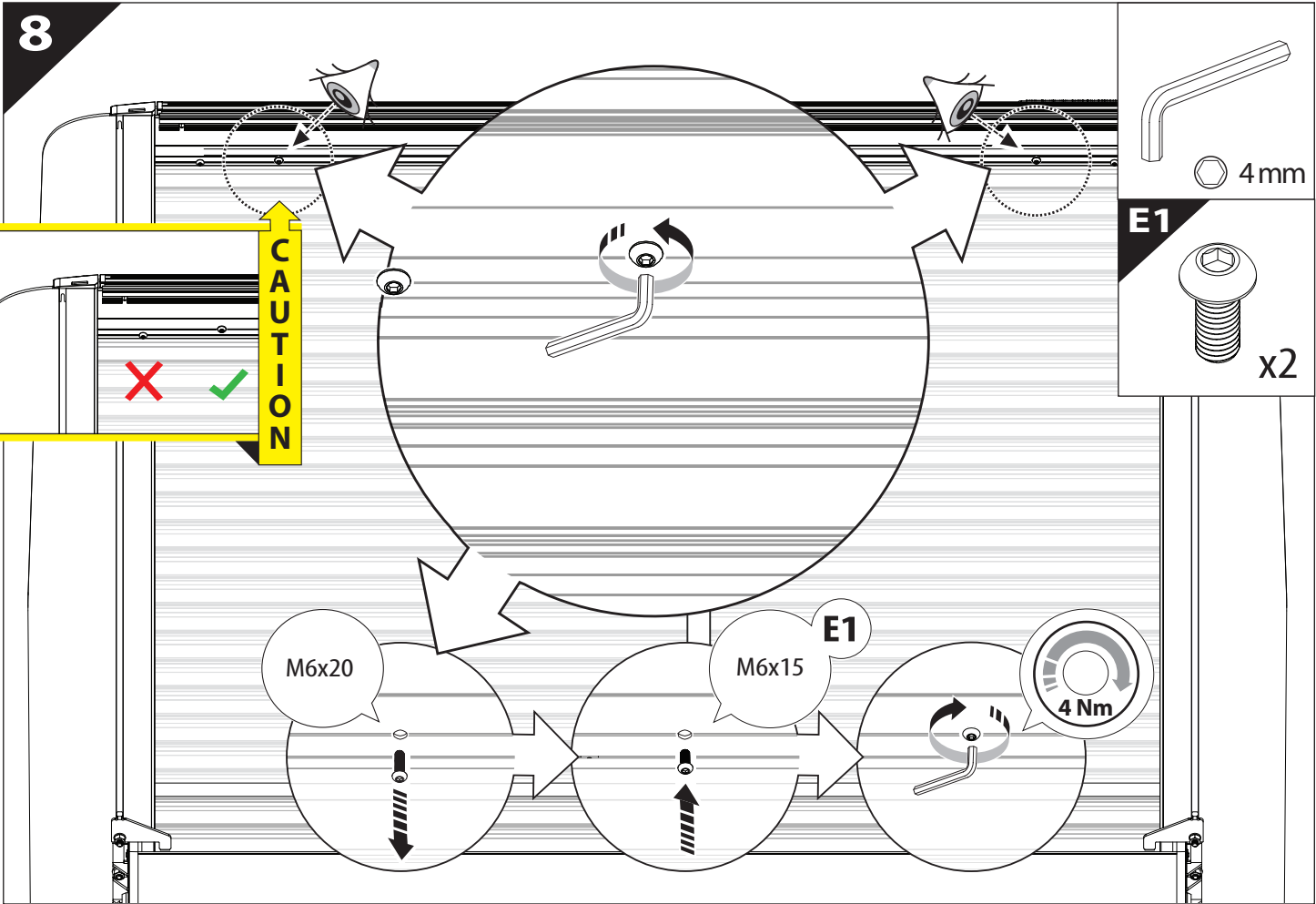
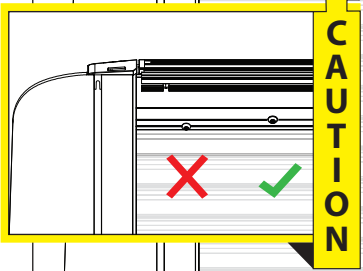


4

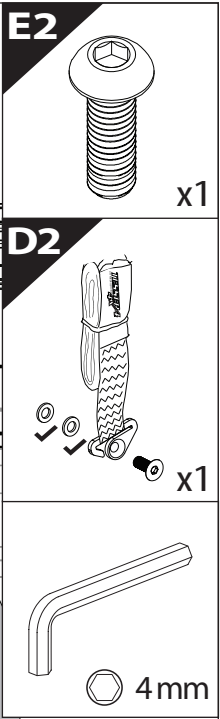
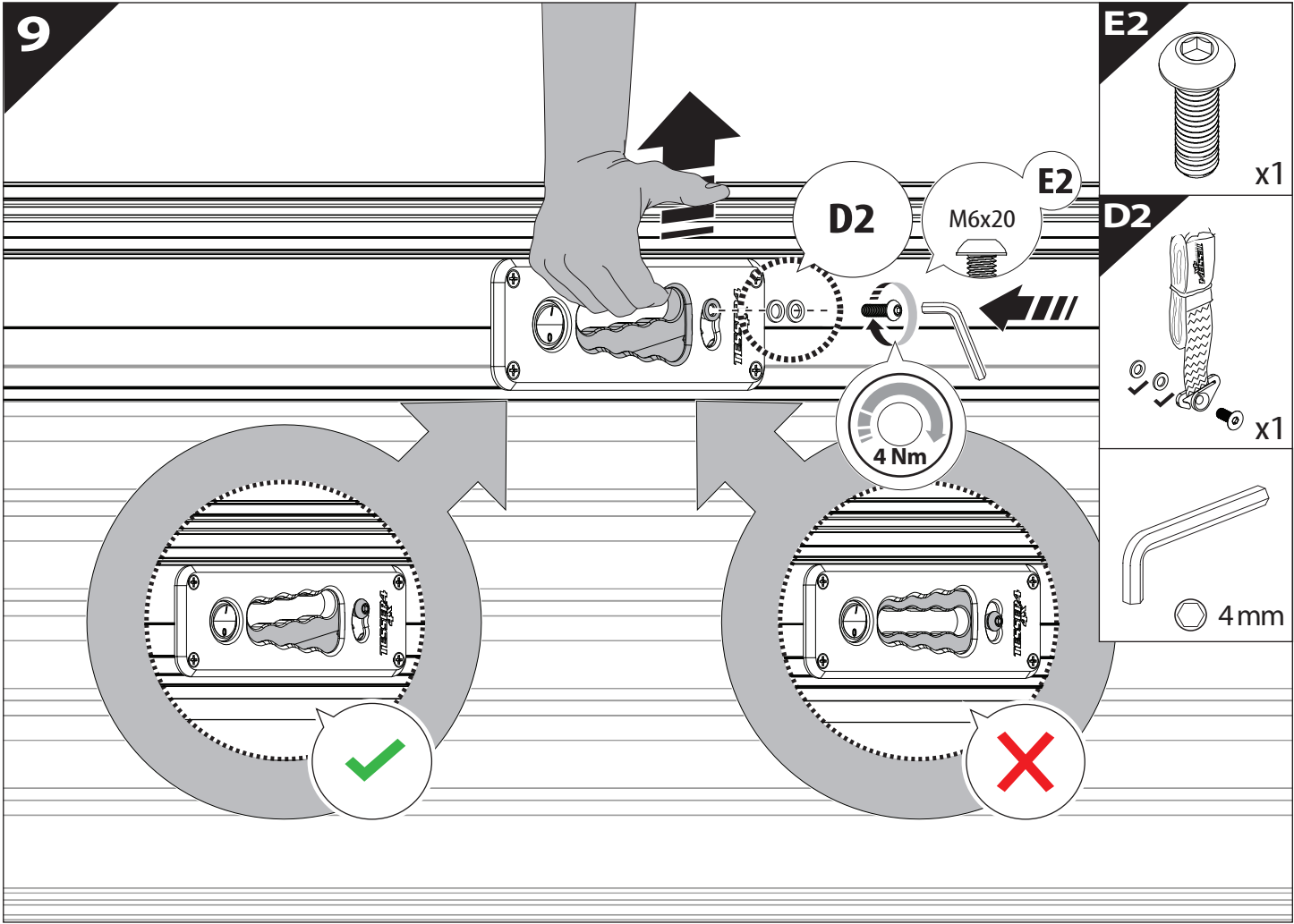


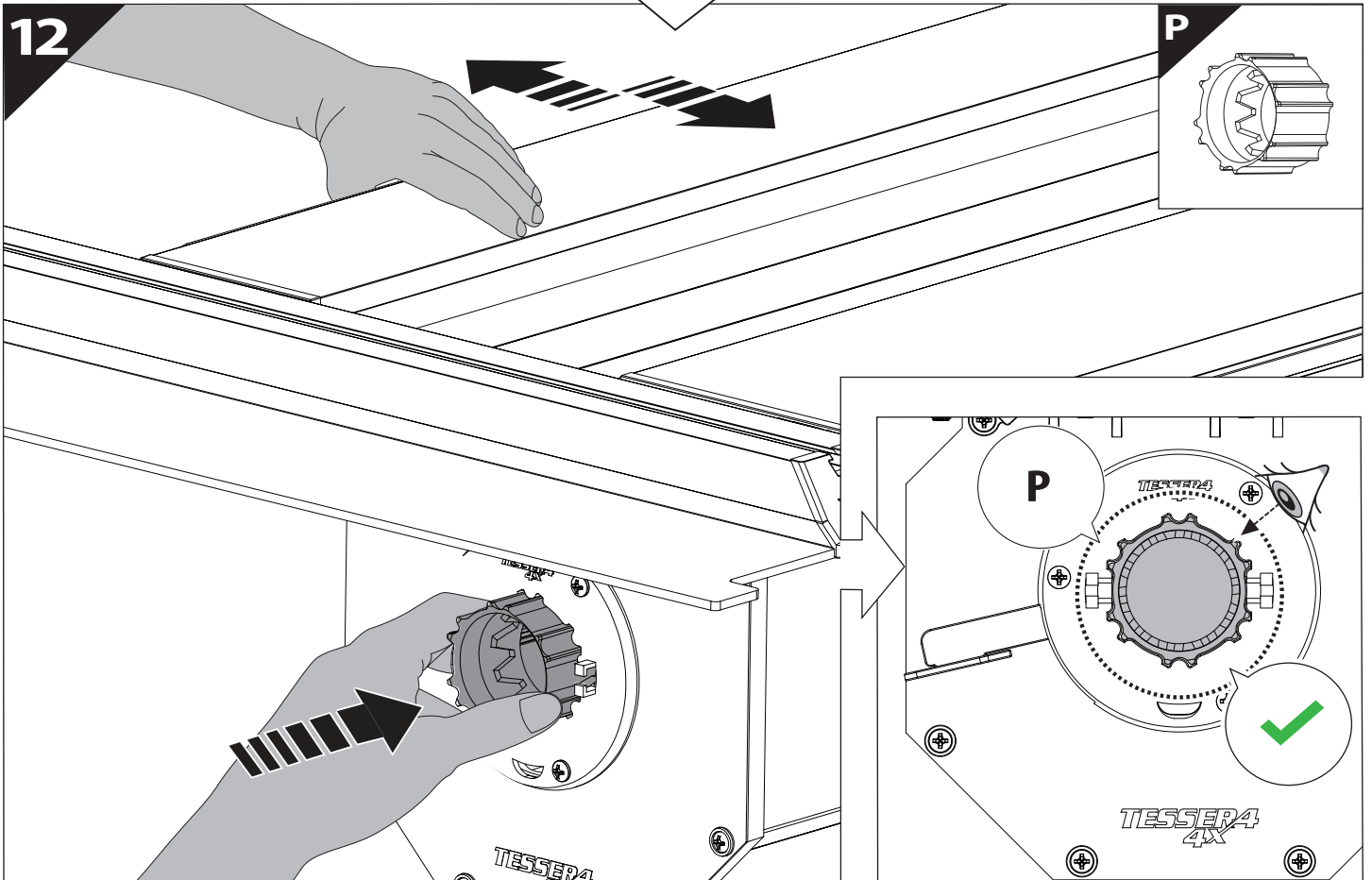
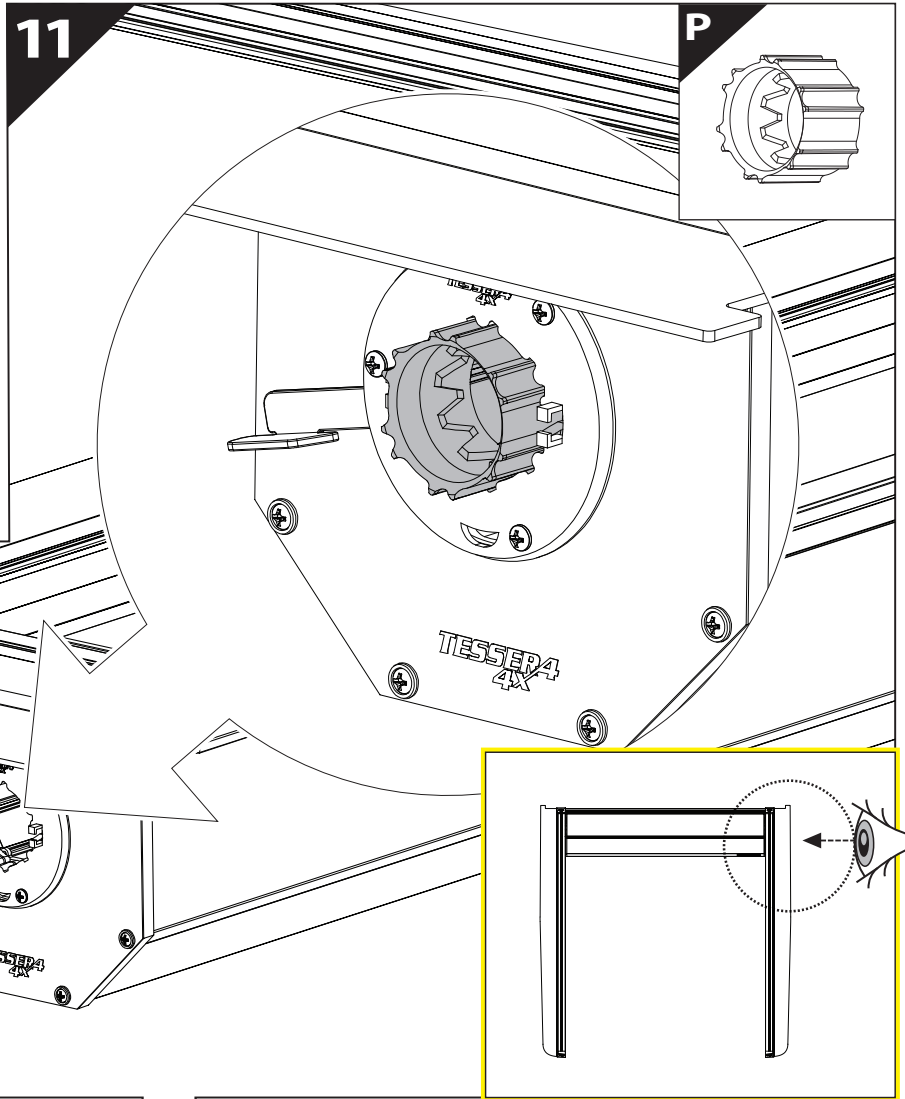
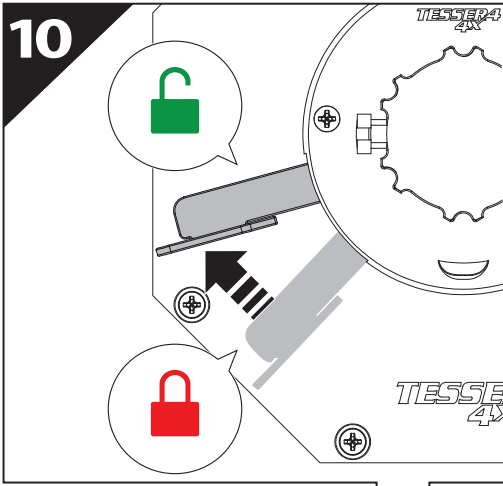


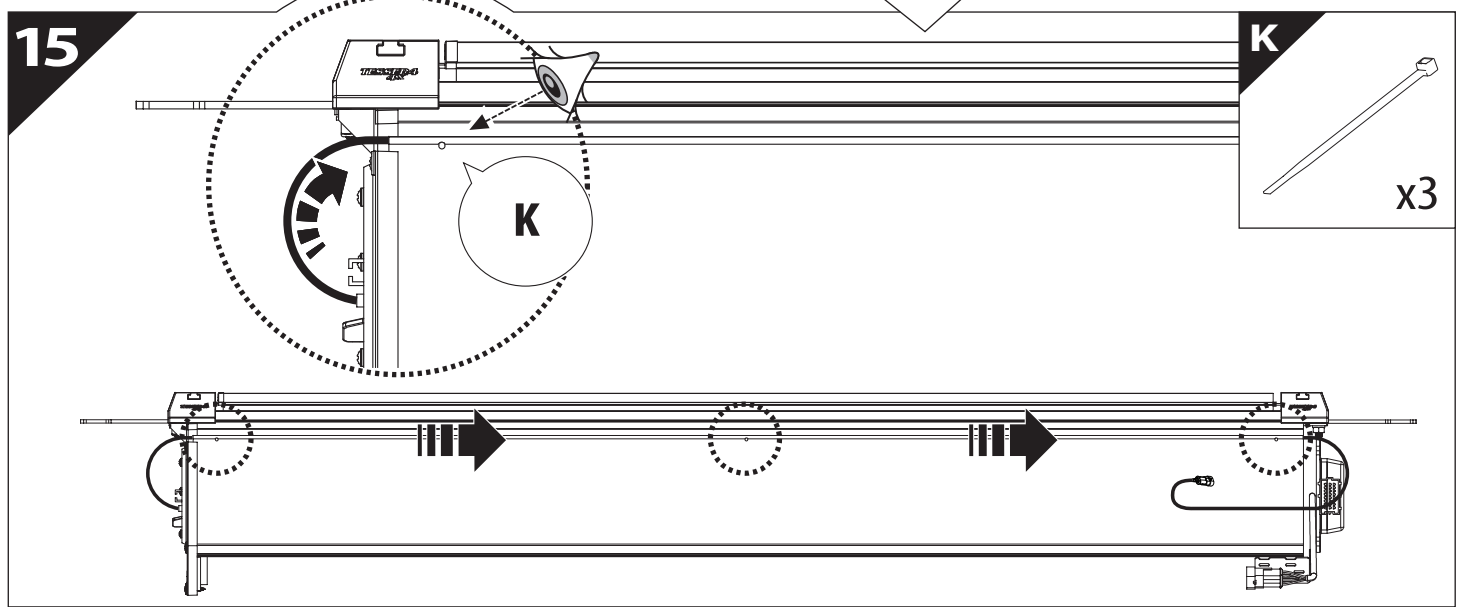
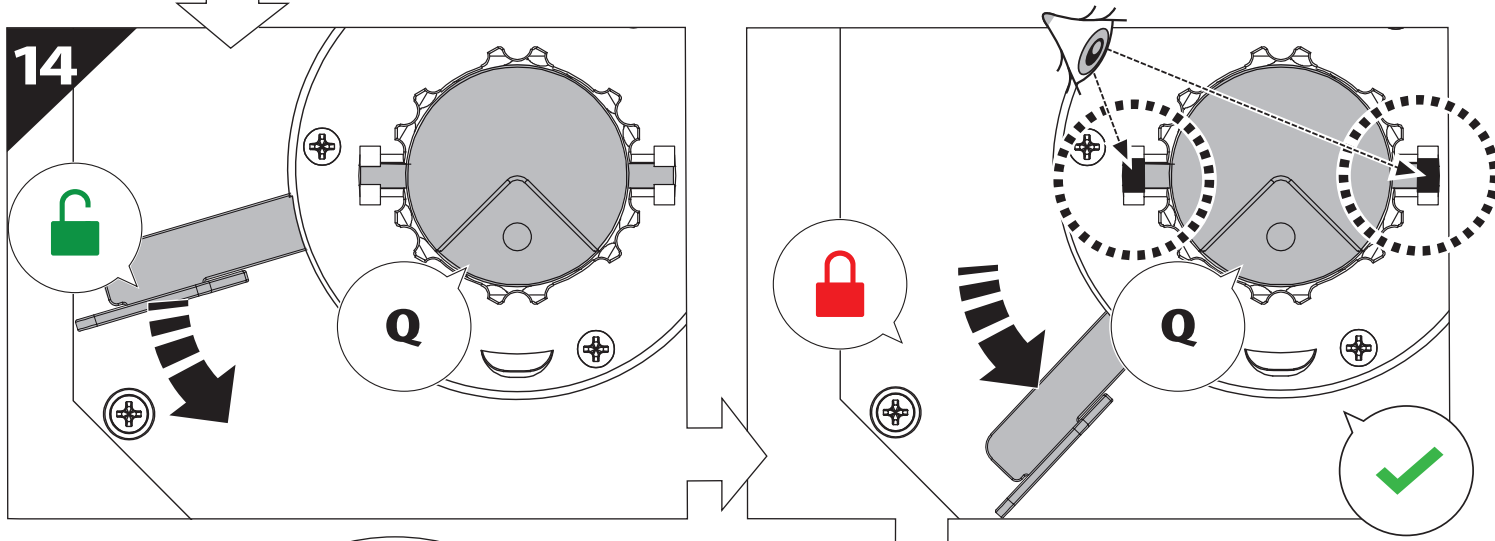
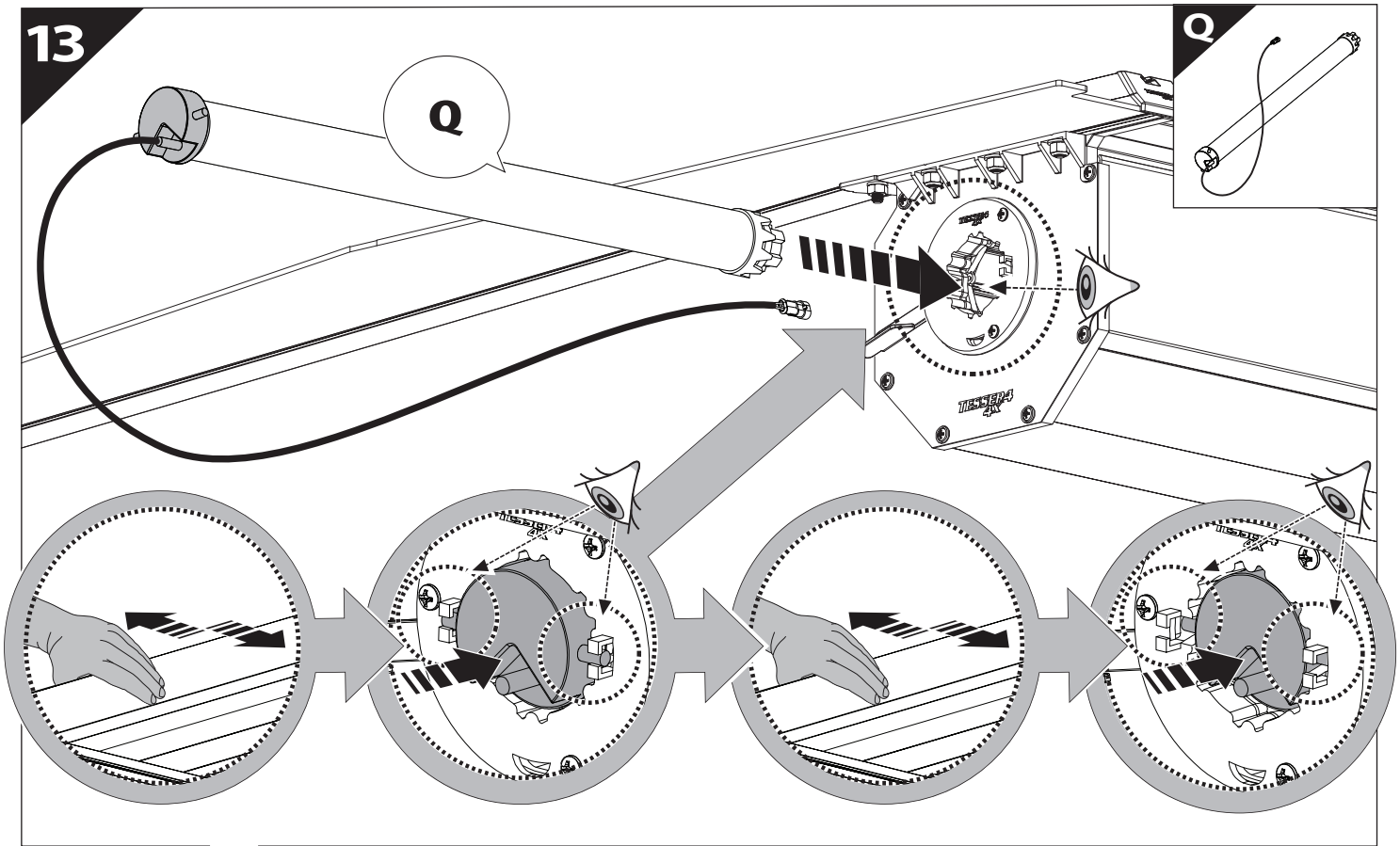
8



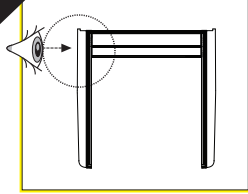
9



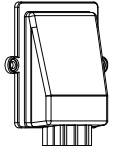




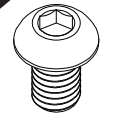
16



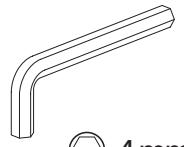
O



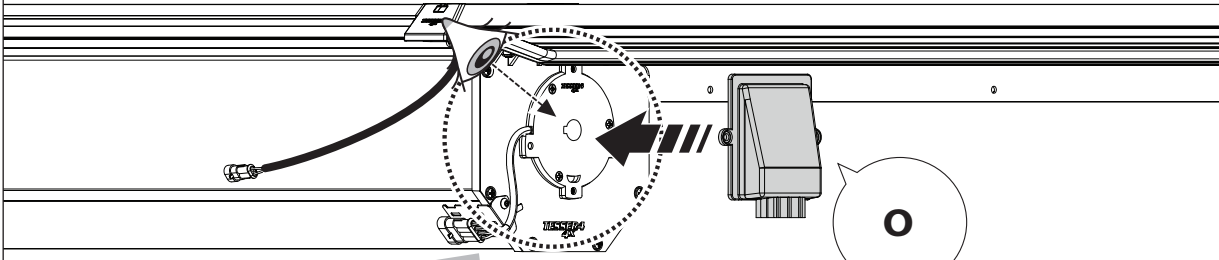
D1



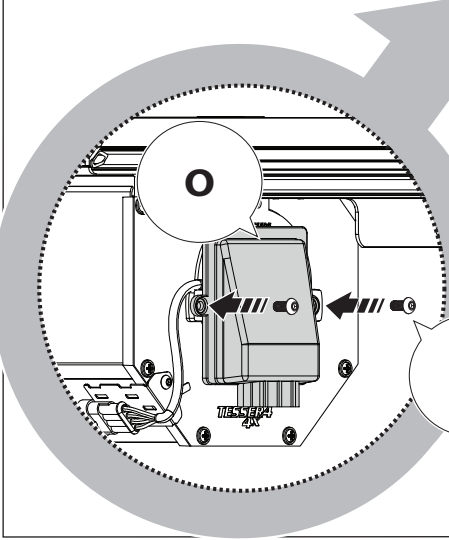
x2



4mm

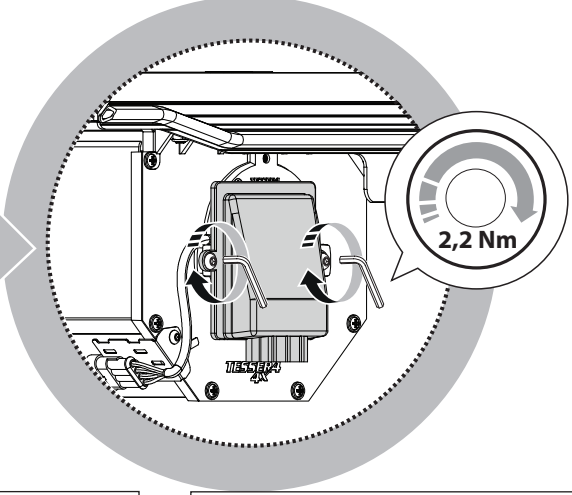


O



O

D1



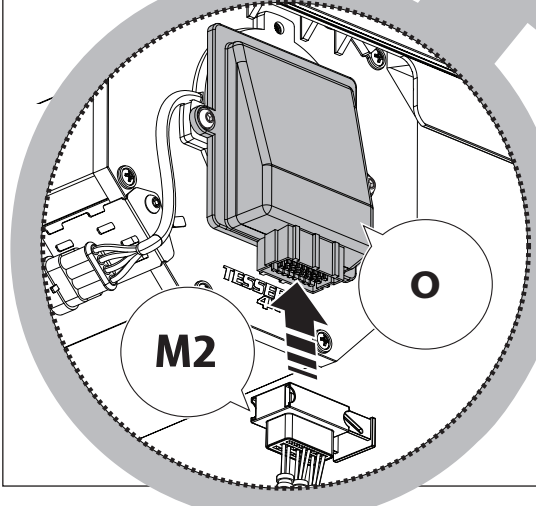
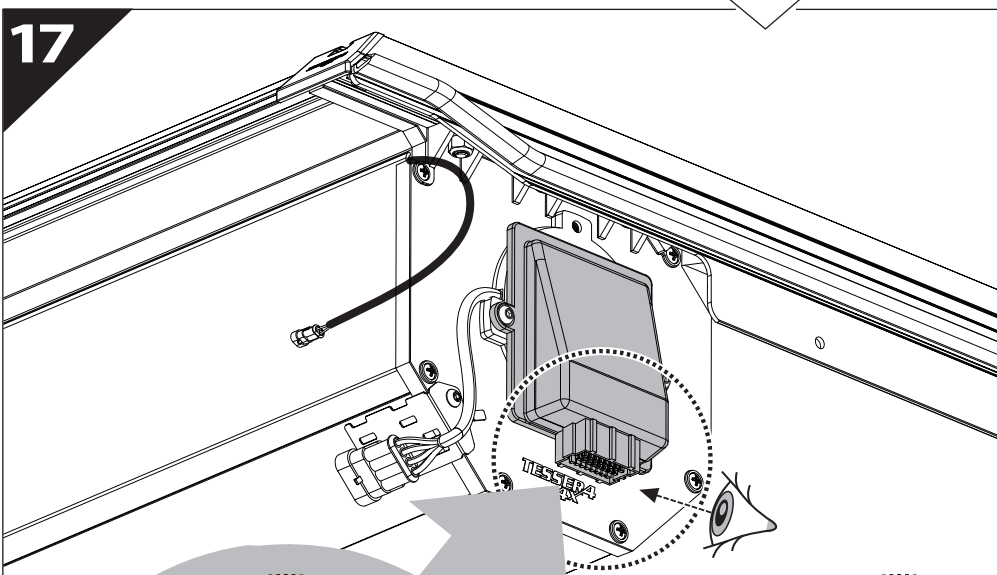
2,2 Nm

17

O

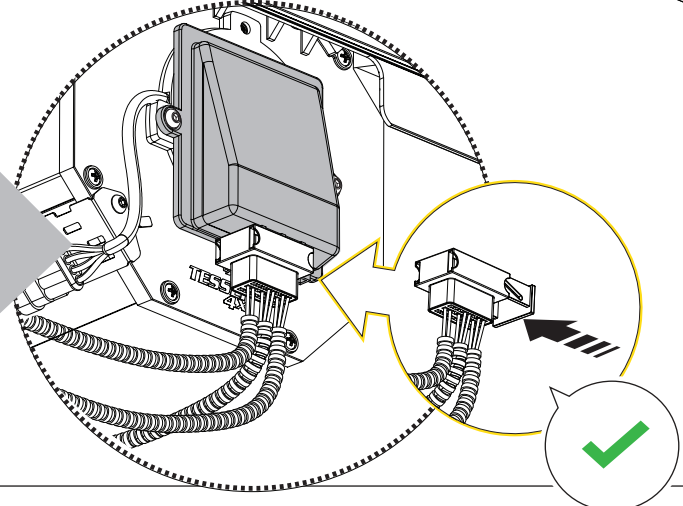


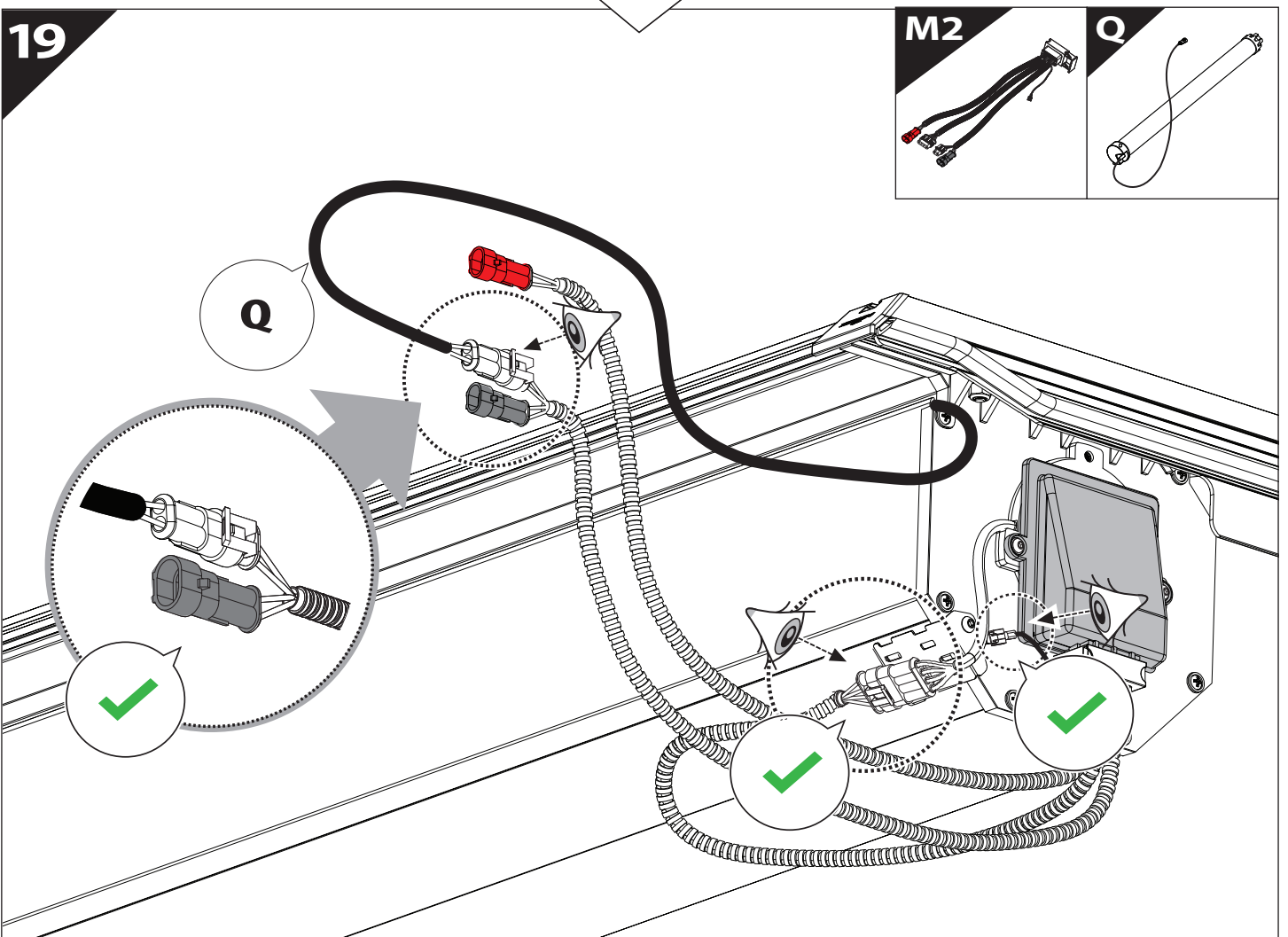
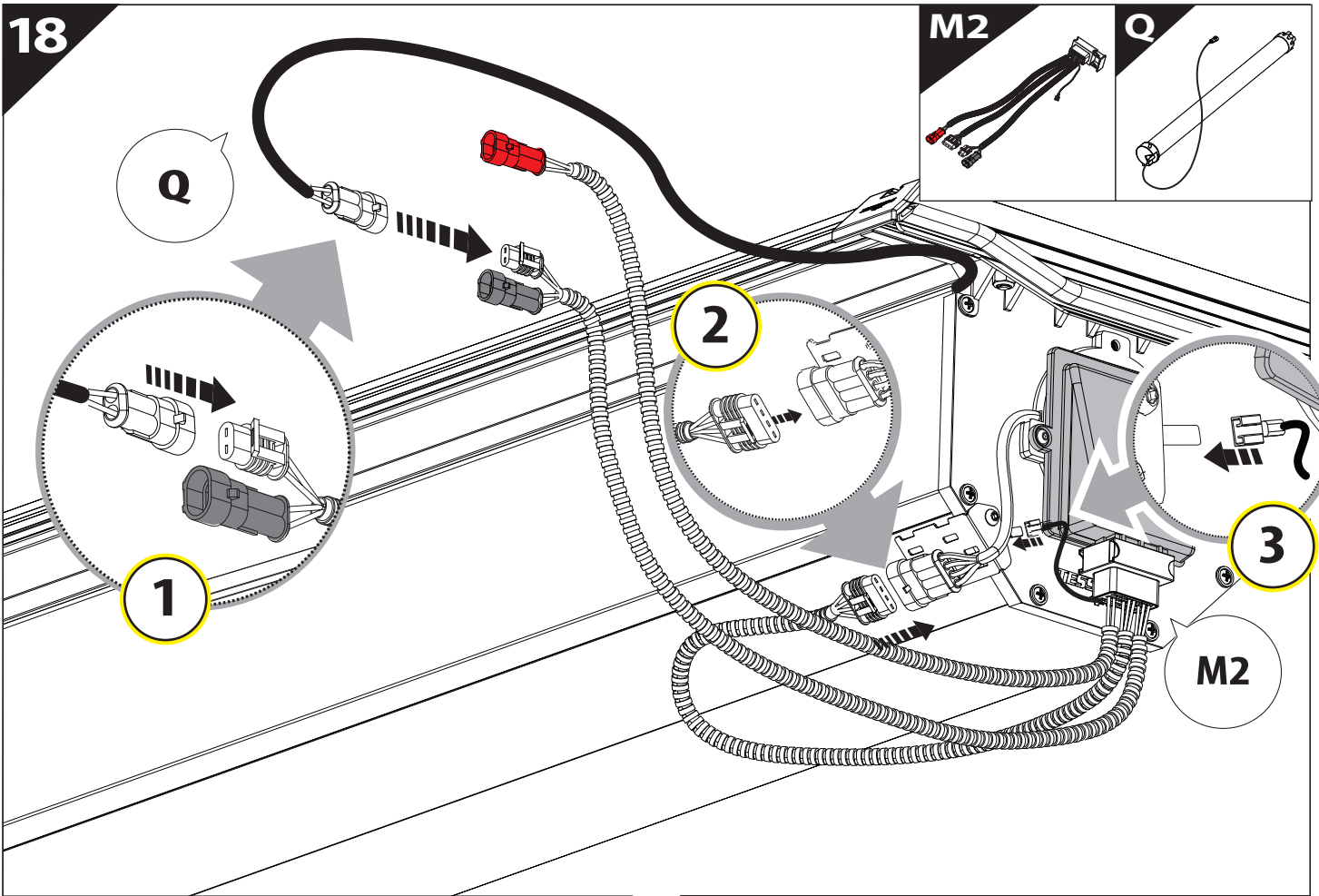
M2

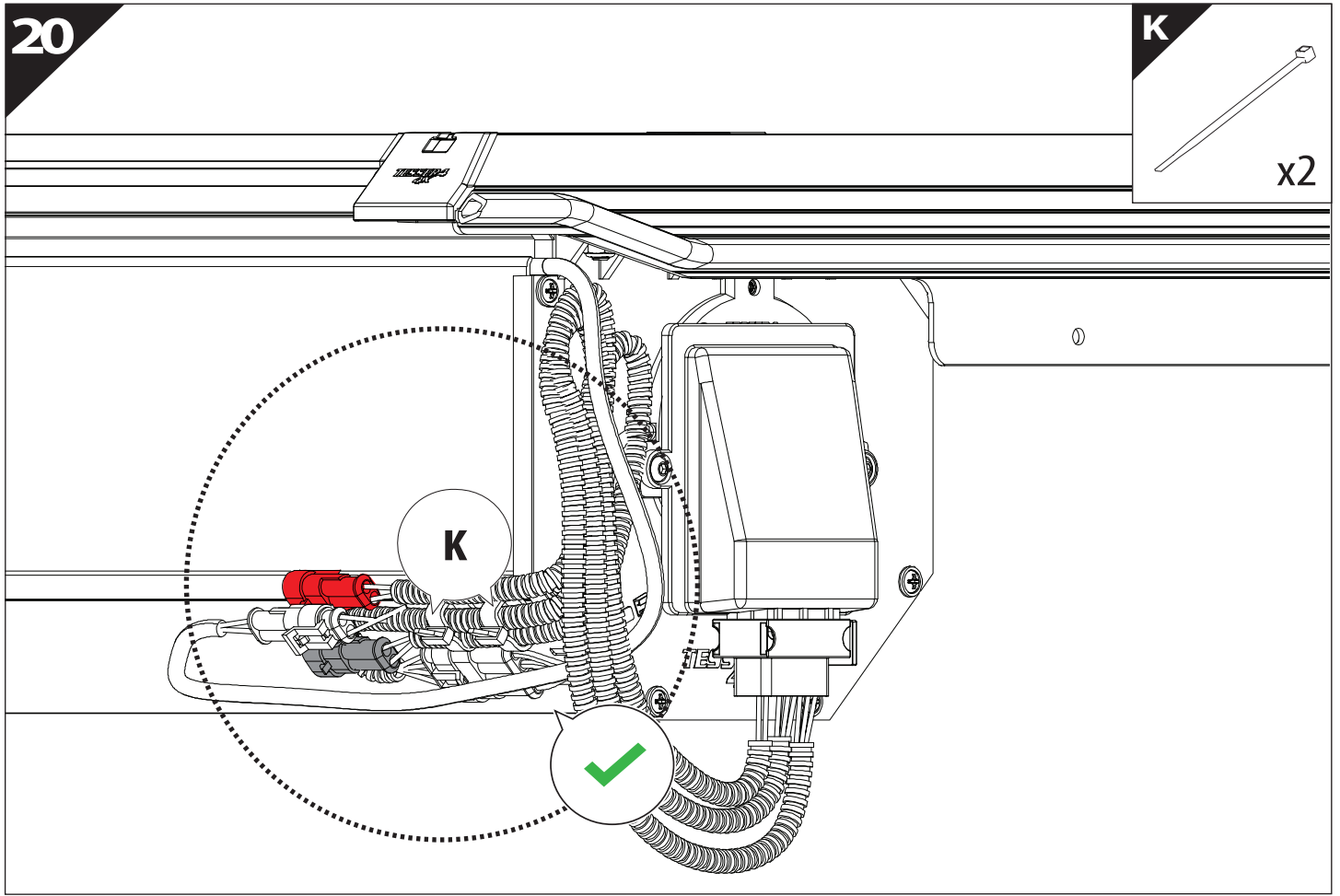
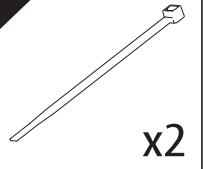


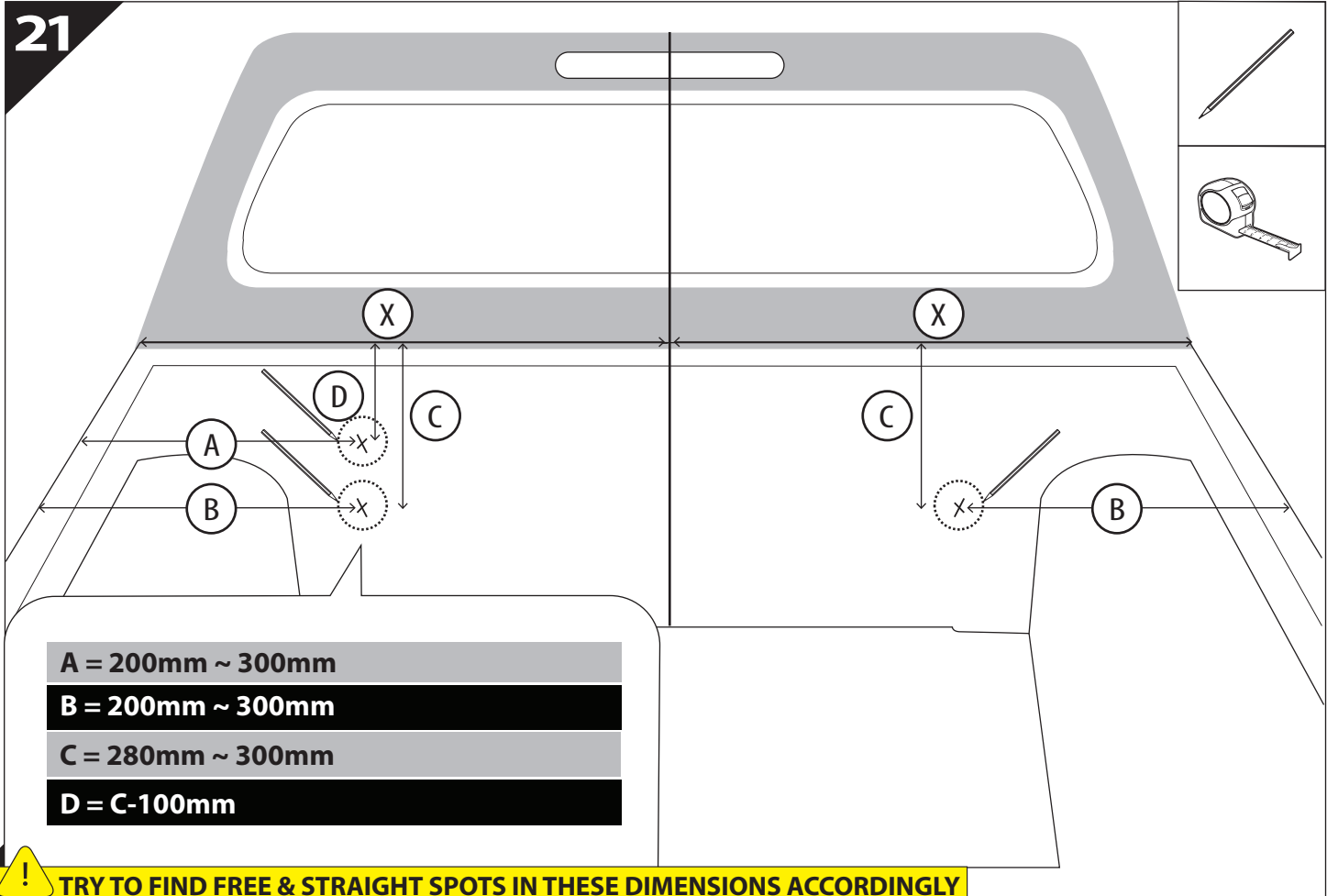
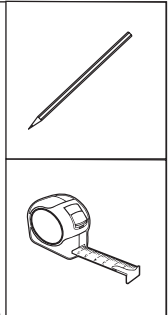
M2

O









- A = 200mm ~ 300mm
- B = 200mm ~ 300mm
- C = 280mm ~ 300mm
- D = C-100mm

! TRY TO FIND FREE & STRAIGHT SPOTS IN THESE DIMENSIONS ACCORDINGLY

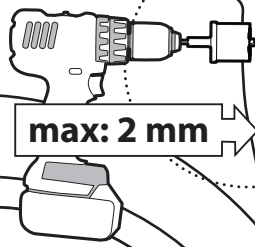


Ø 25 mm




Rust Protection

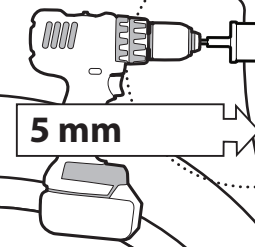
**CAUTION**



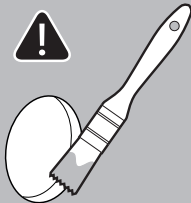


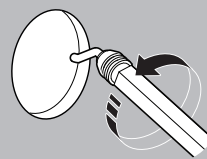

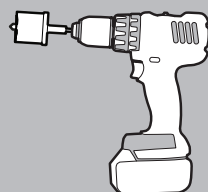

max: 2 mm



**CAUTION**



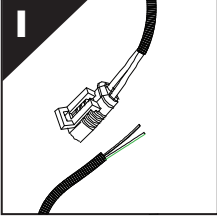
5 mm



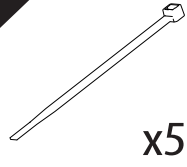


25

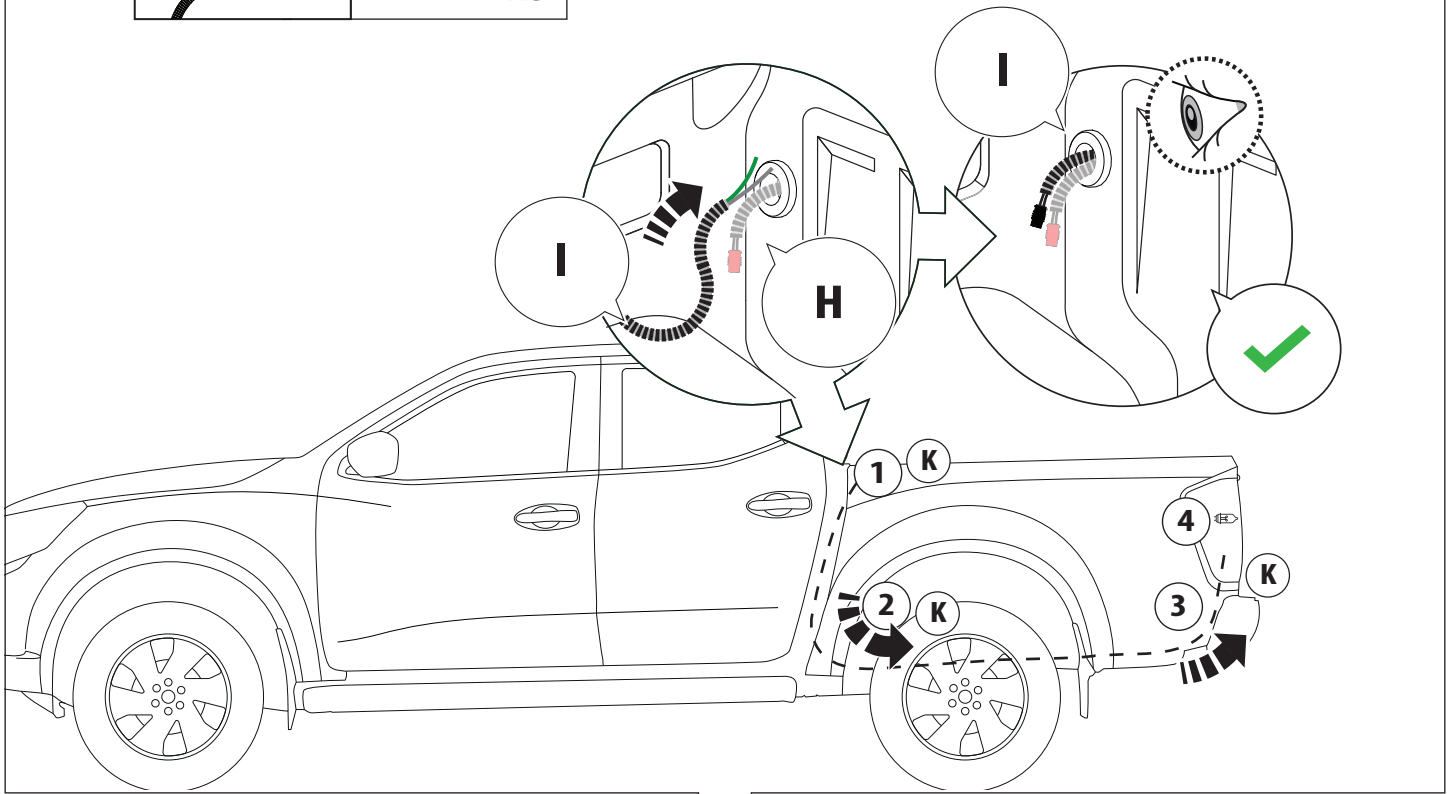
I



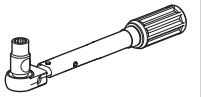
K



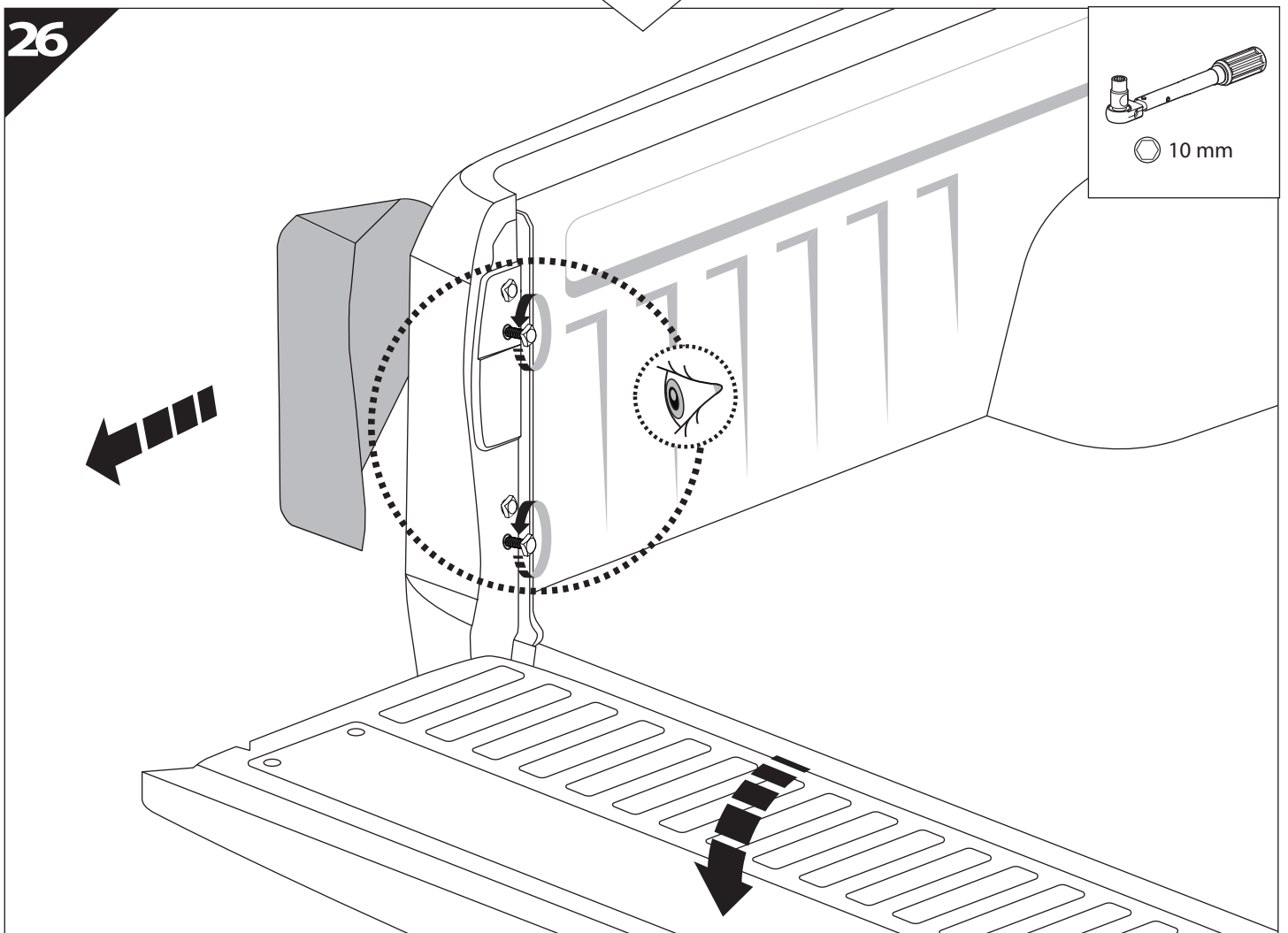
x5

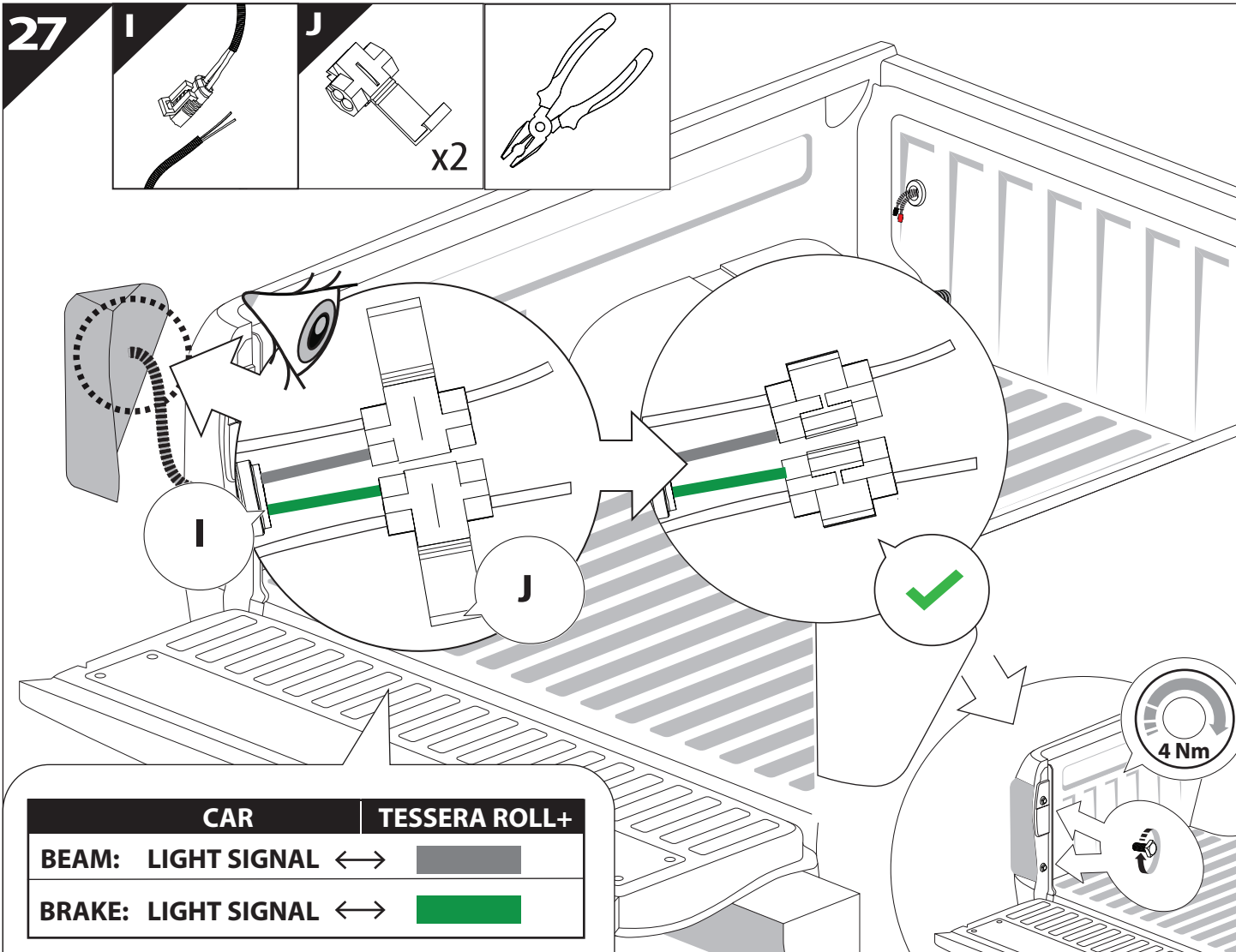


26

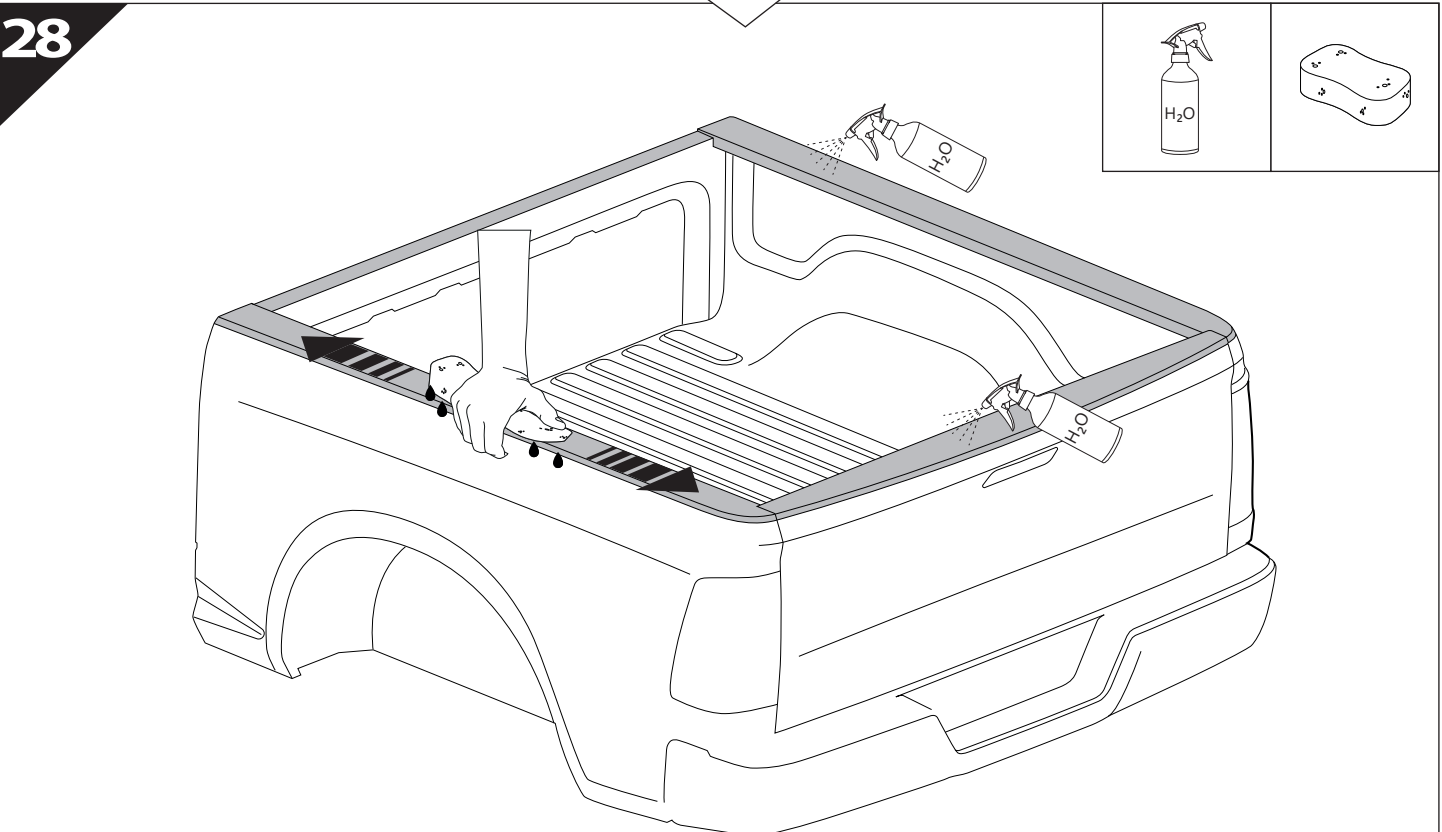


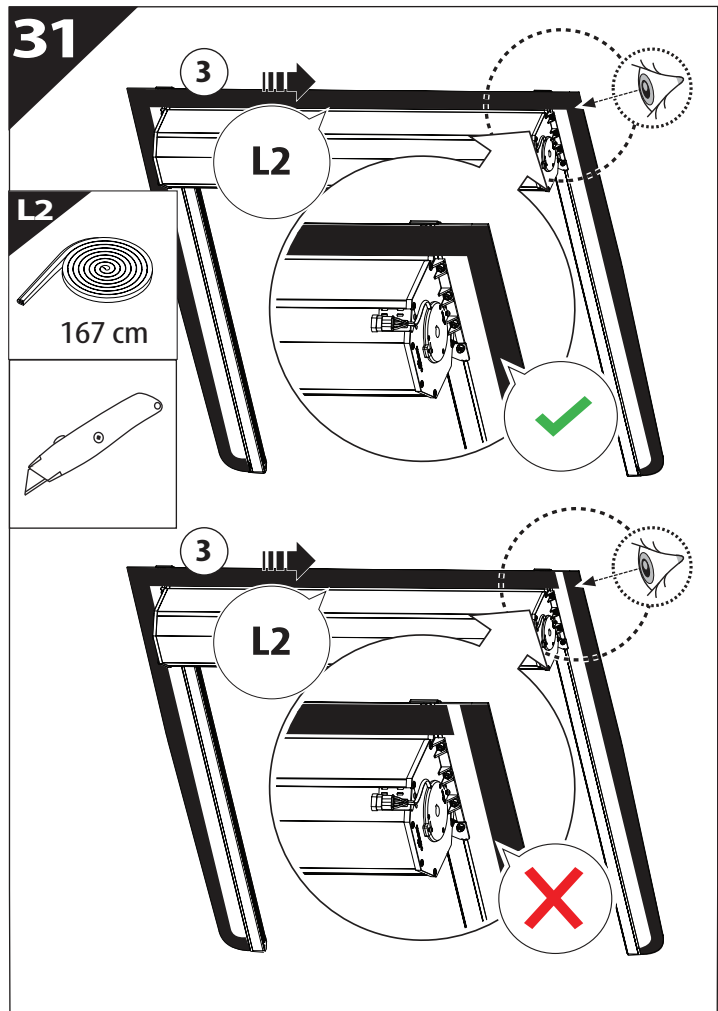
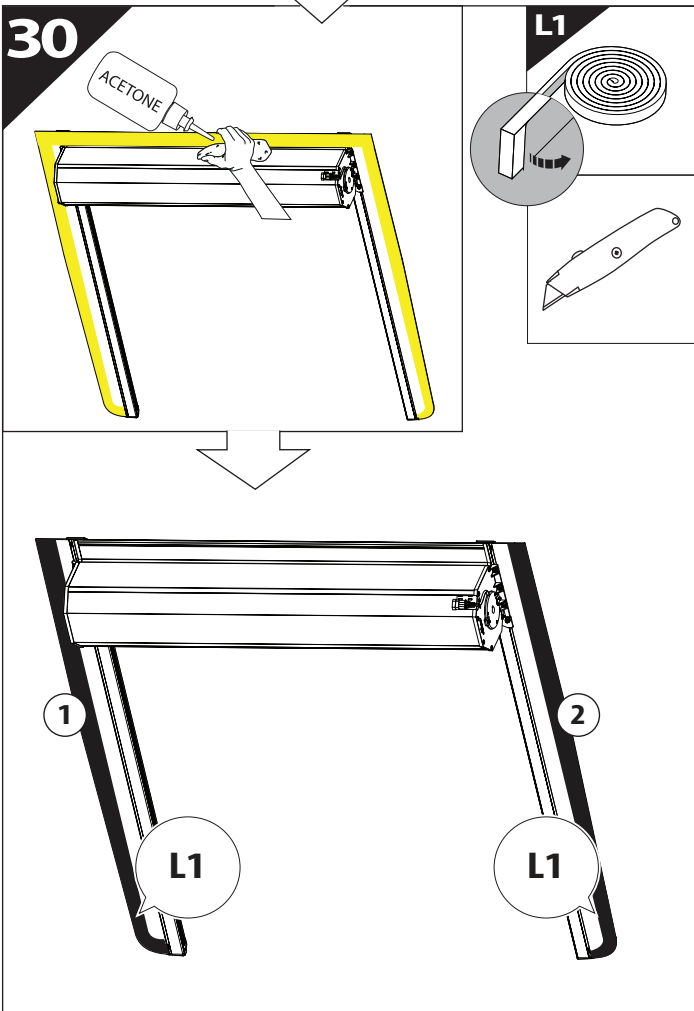
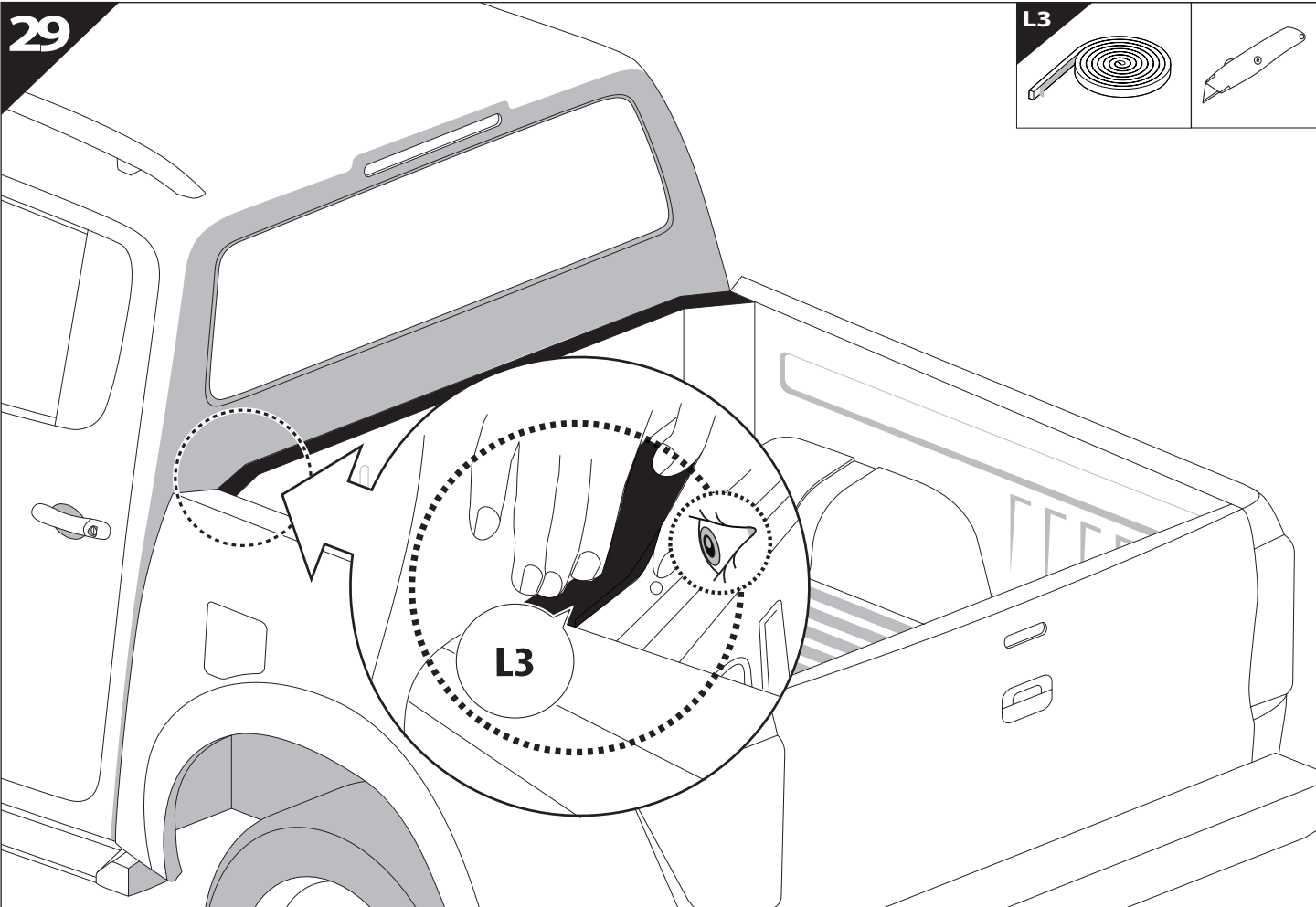
10 mm

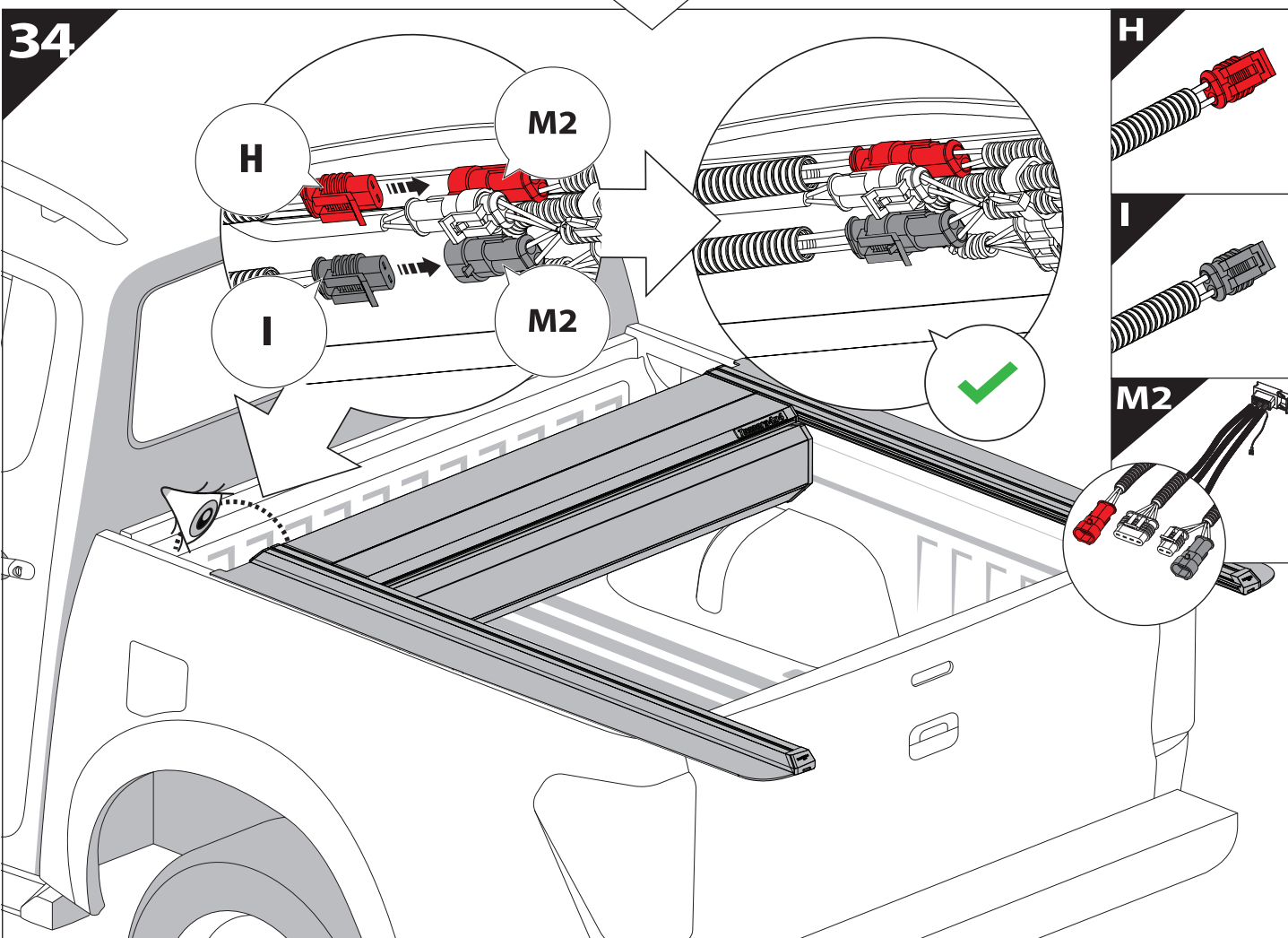
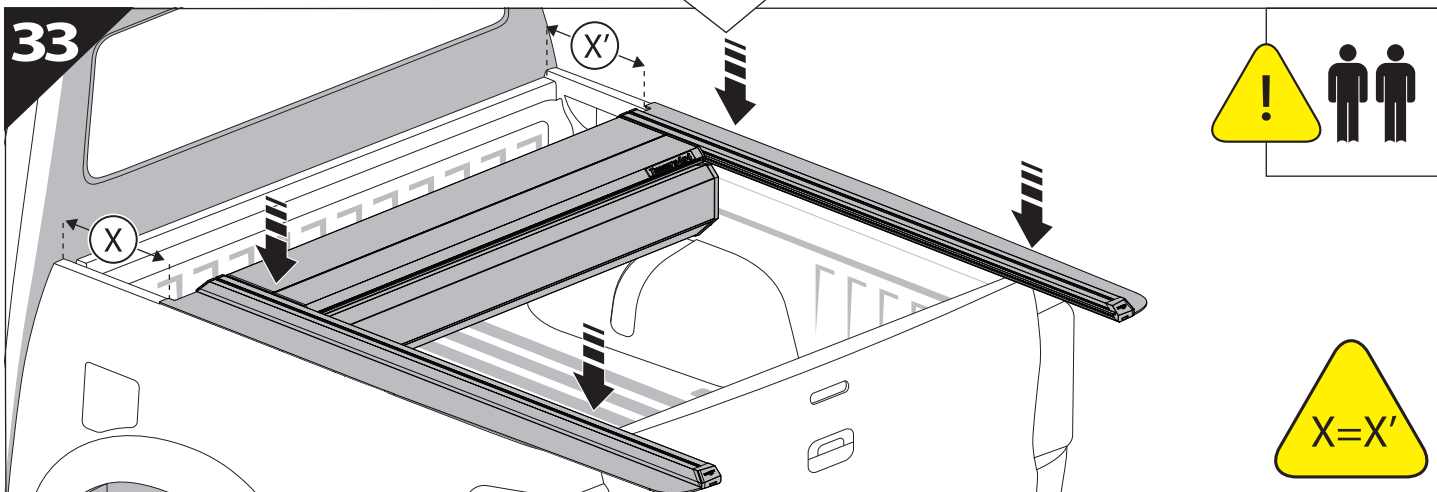
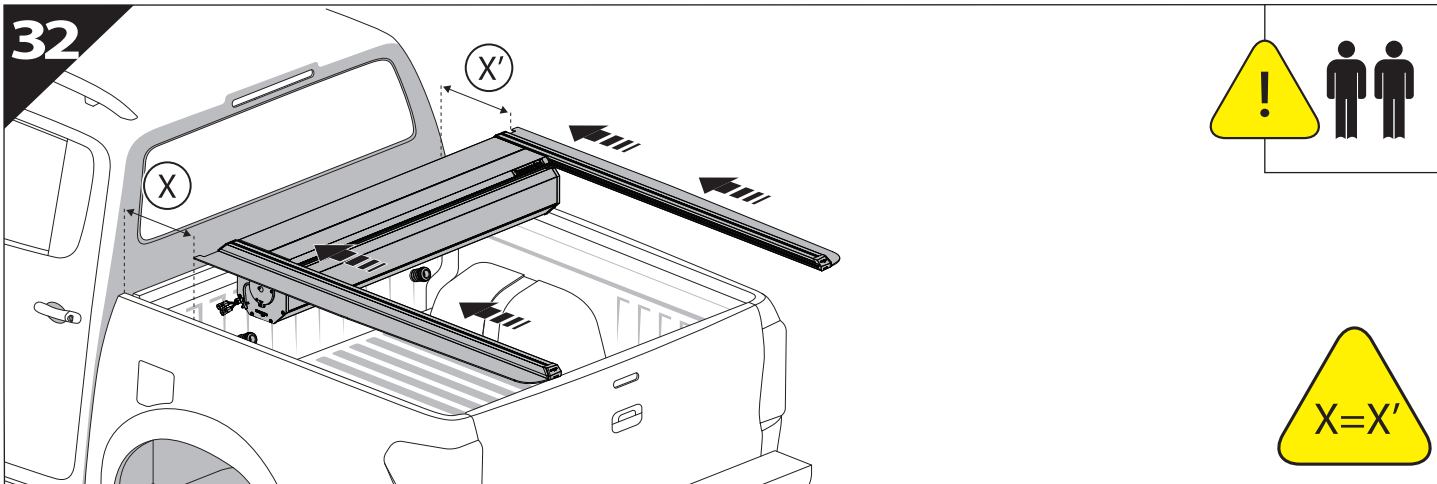


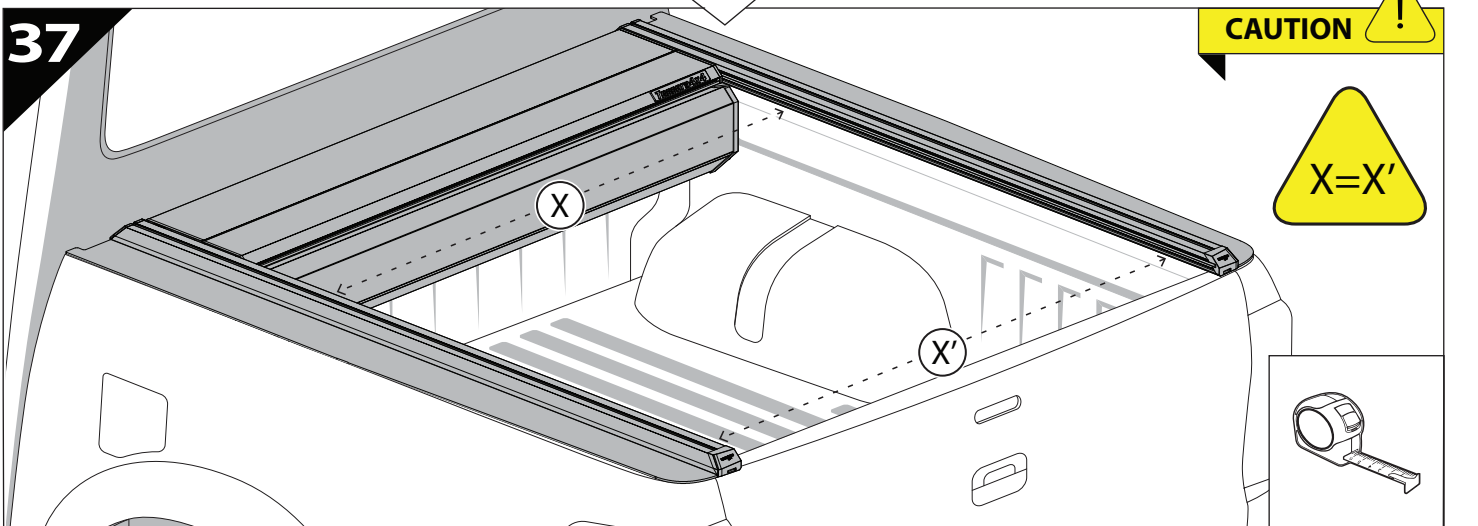
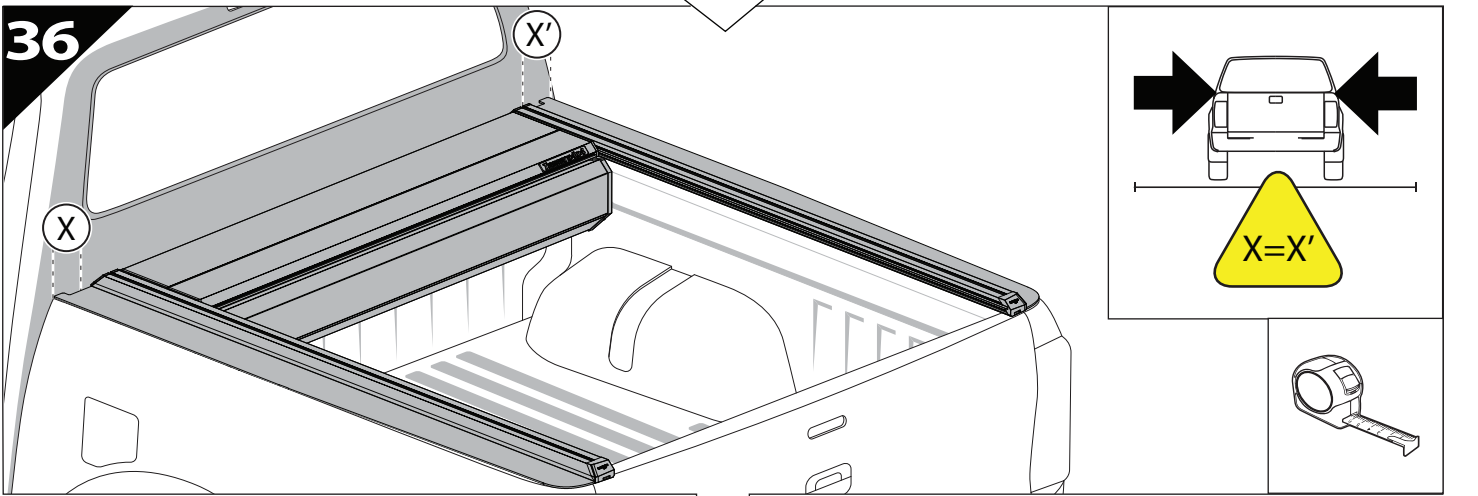
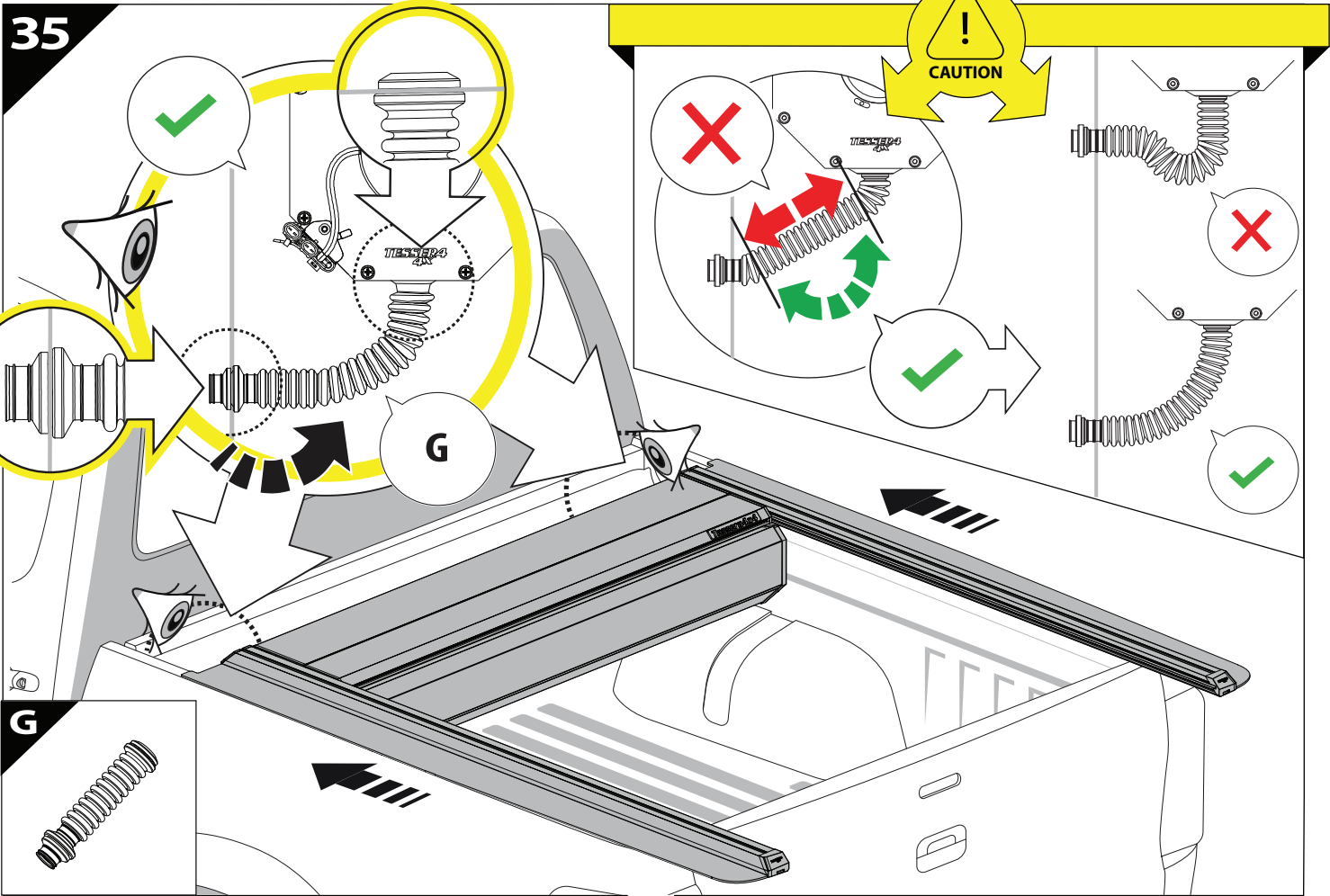


**CAUTION: CONSULT A CERTIFIED AUTO MECHANIC OR AUTOMOTIVE ELECTRICIAN TO IDENTIFY THE CORRECT WIRING CABLES FOR BEAM AND BRAKE SIGNALS BEFORE MAKING ANY CONNECTIONS.**

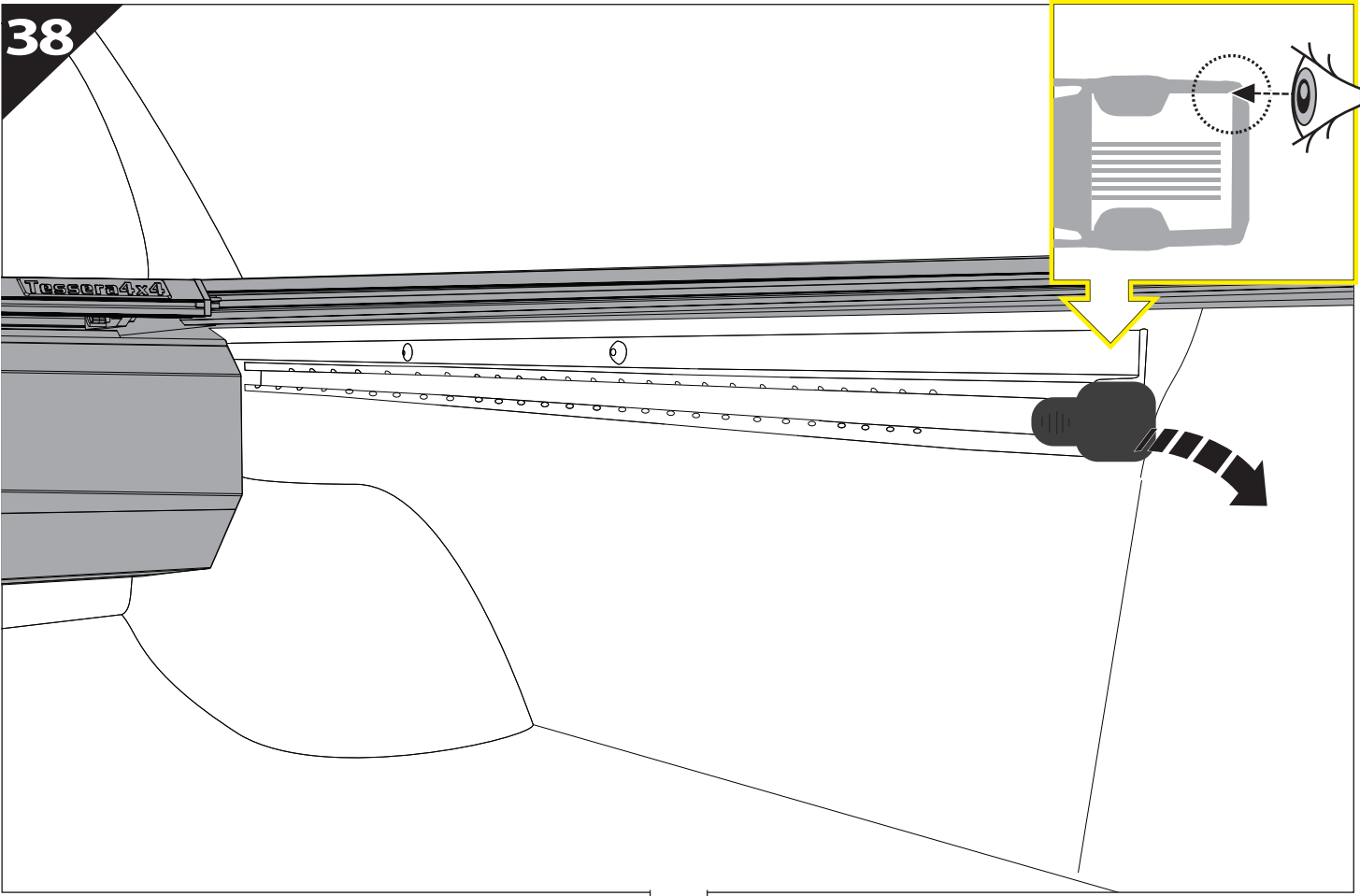




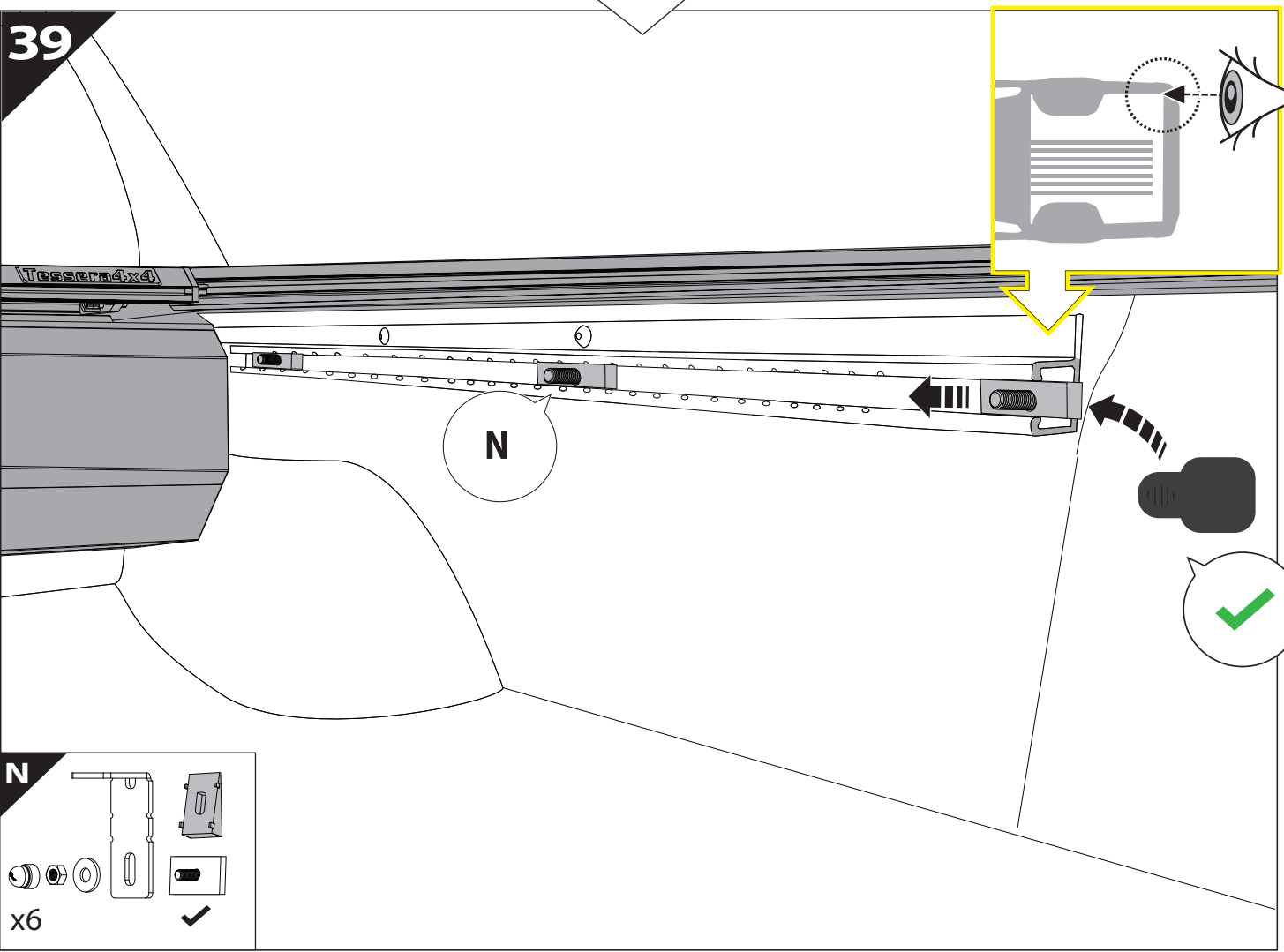




38



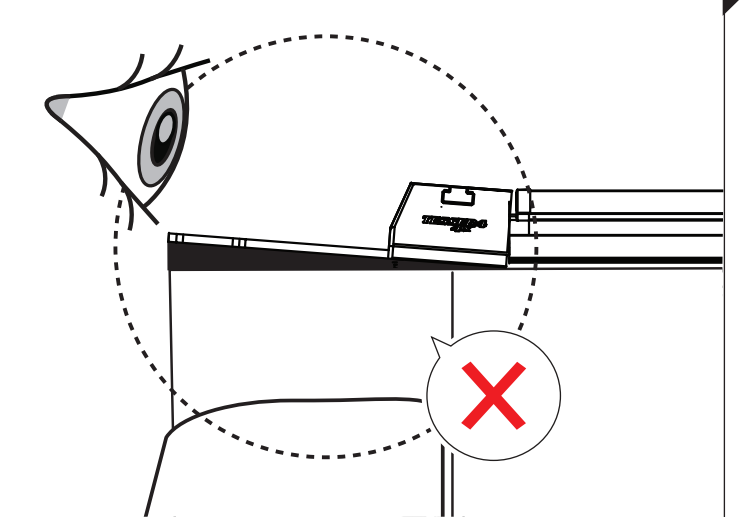
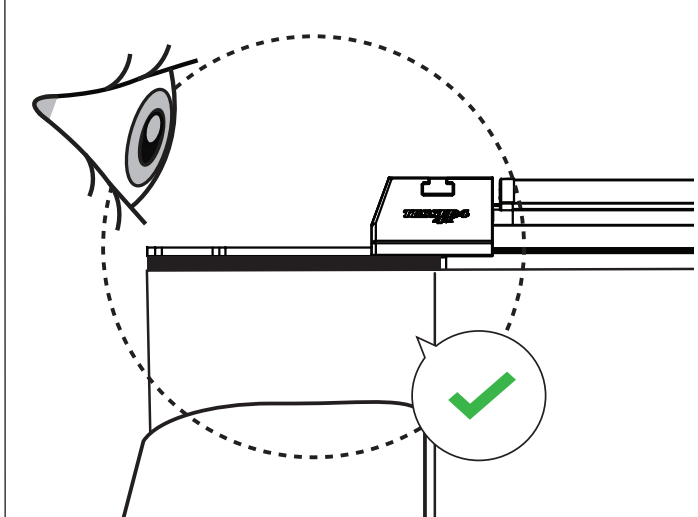
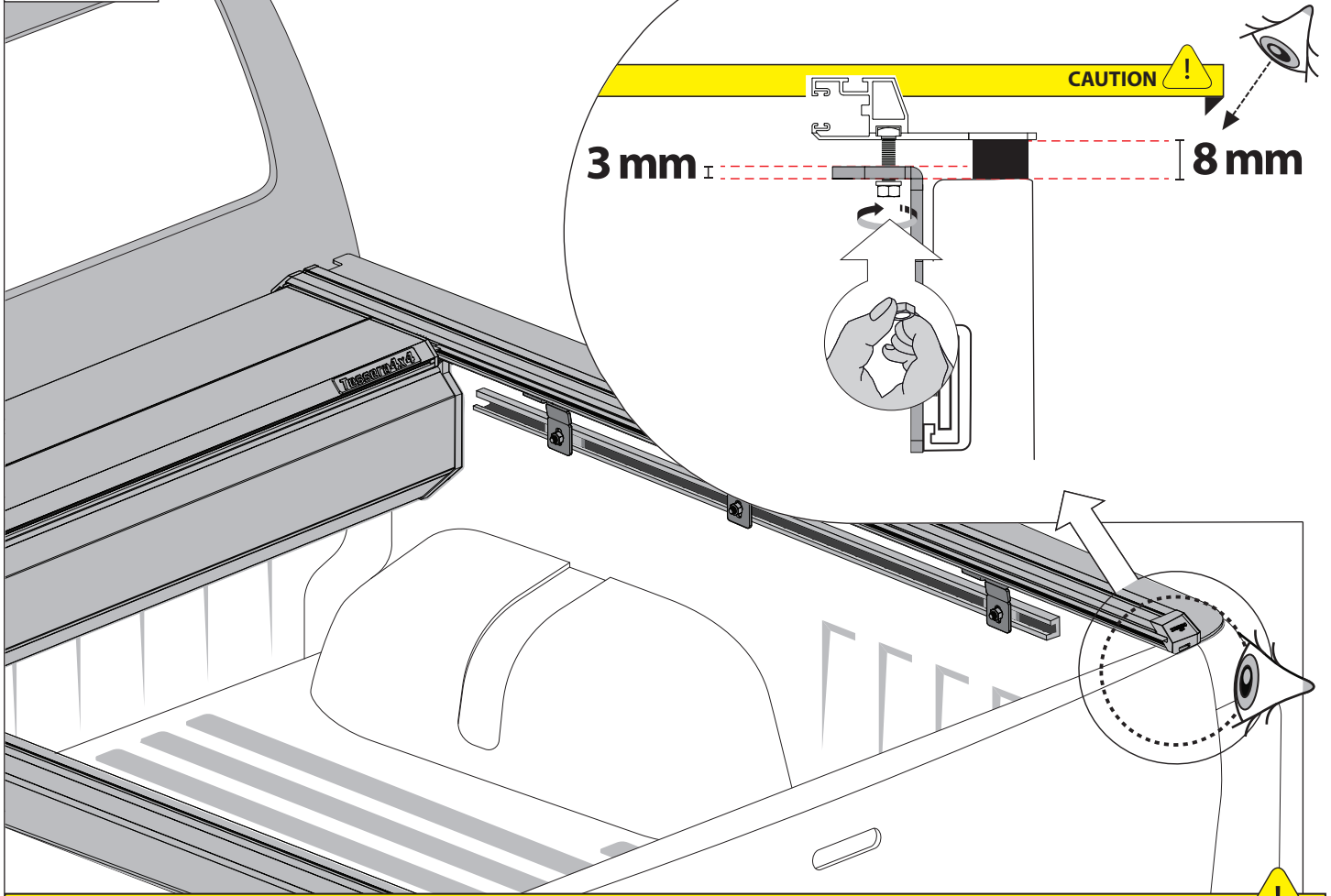
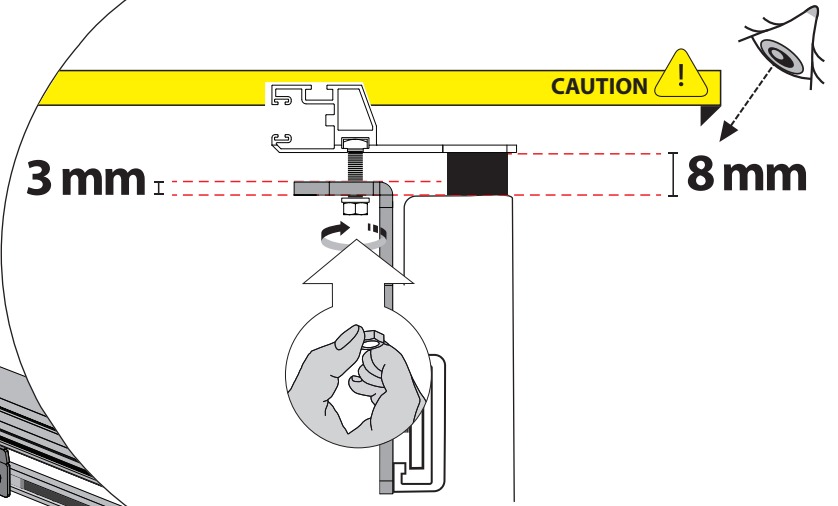
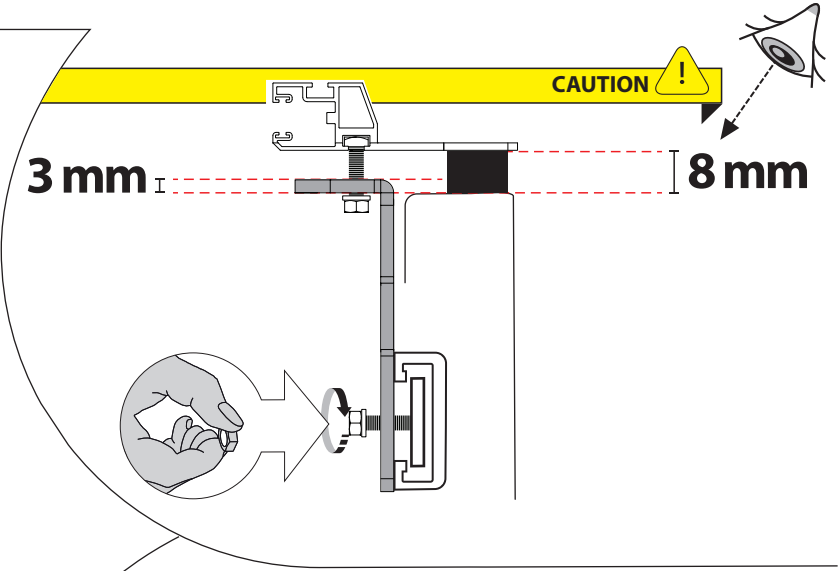
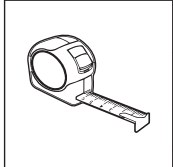
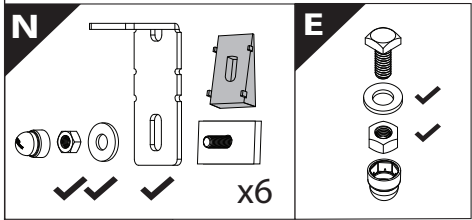
39

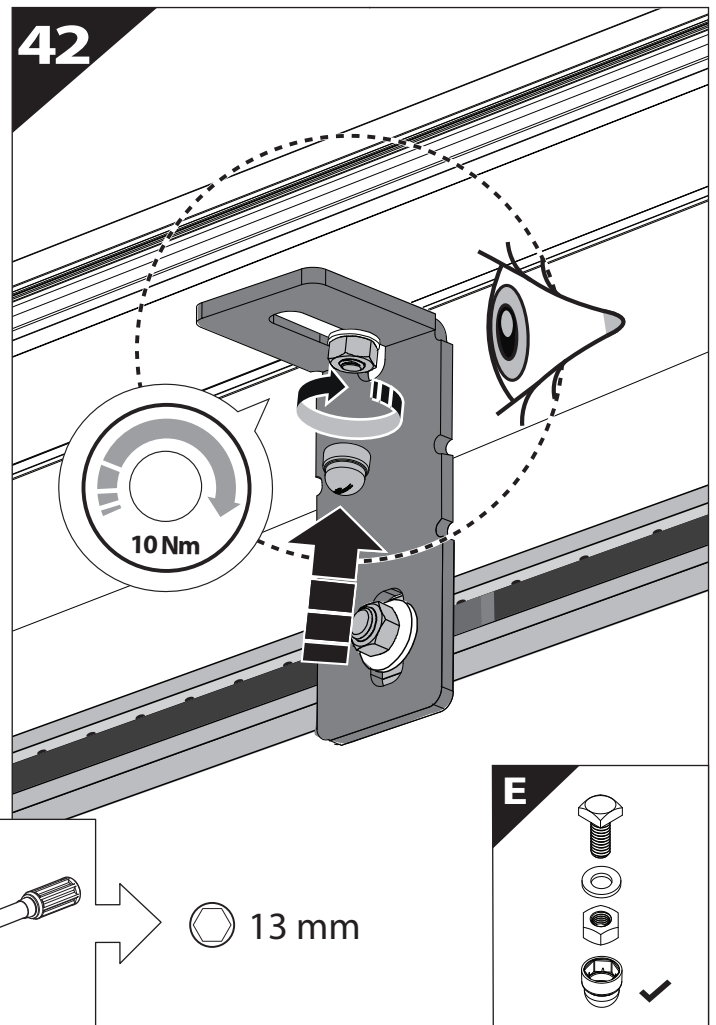
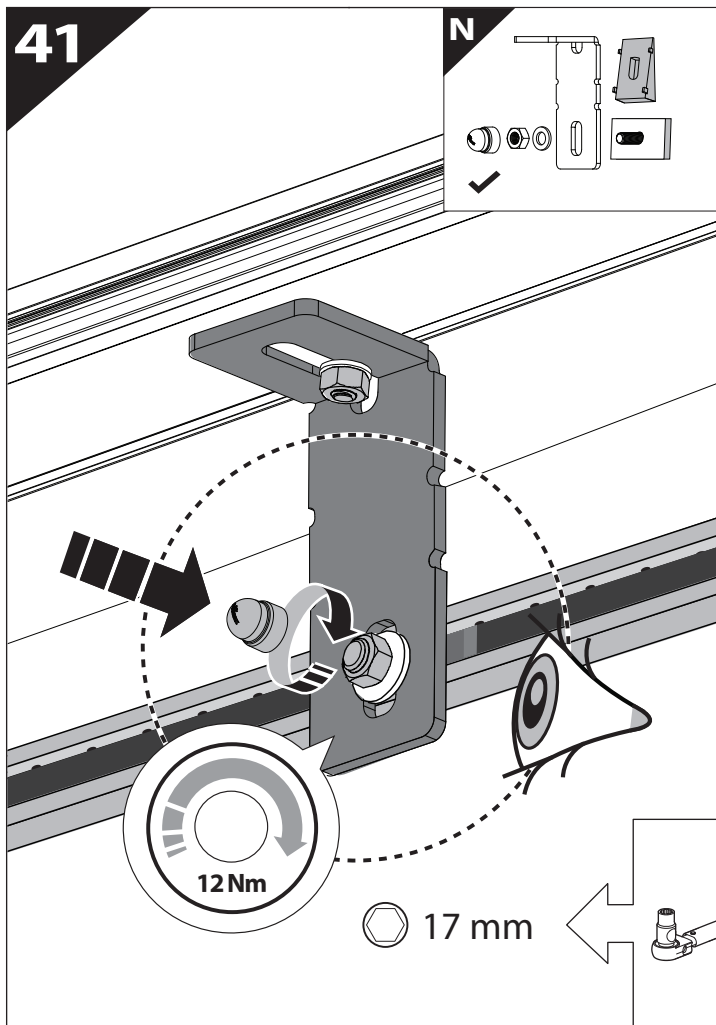


**N**

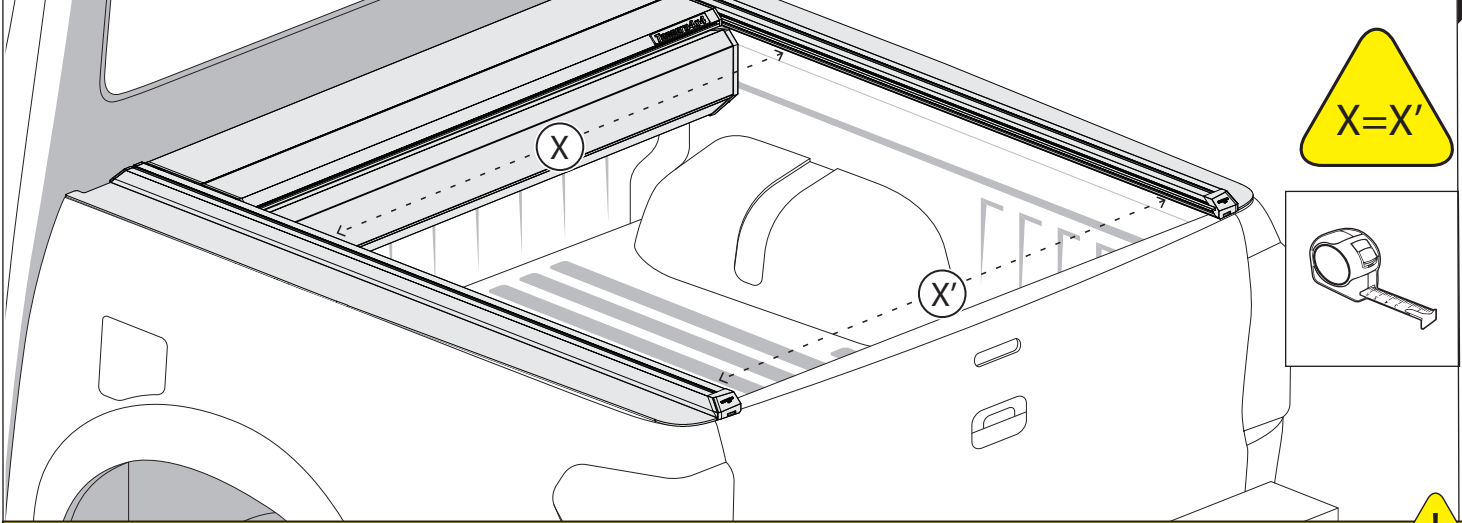
x6

40

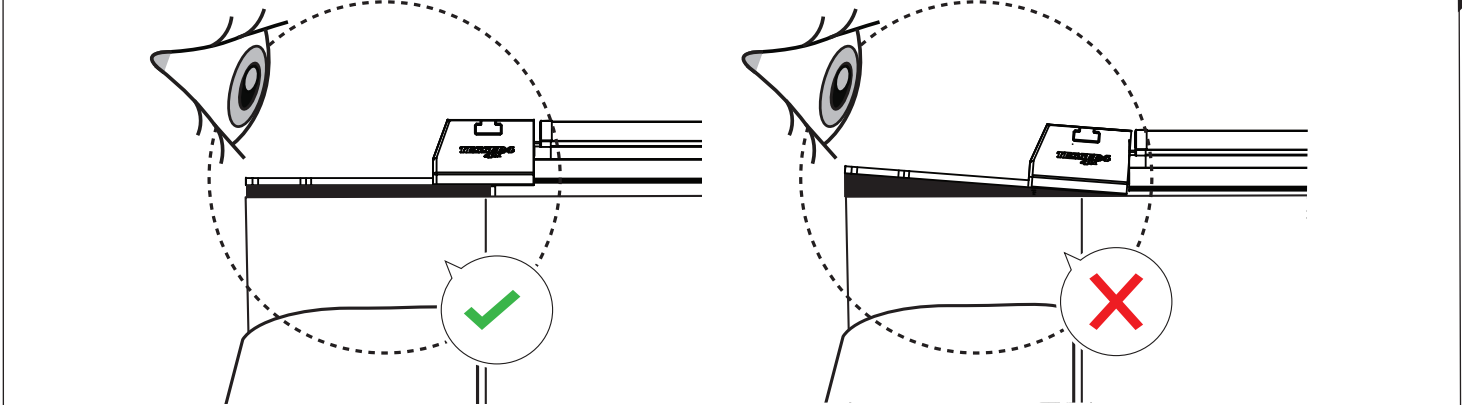




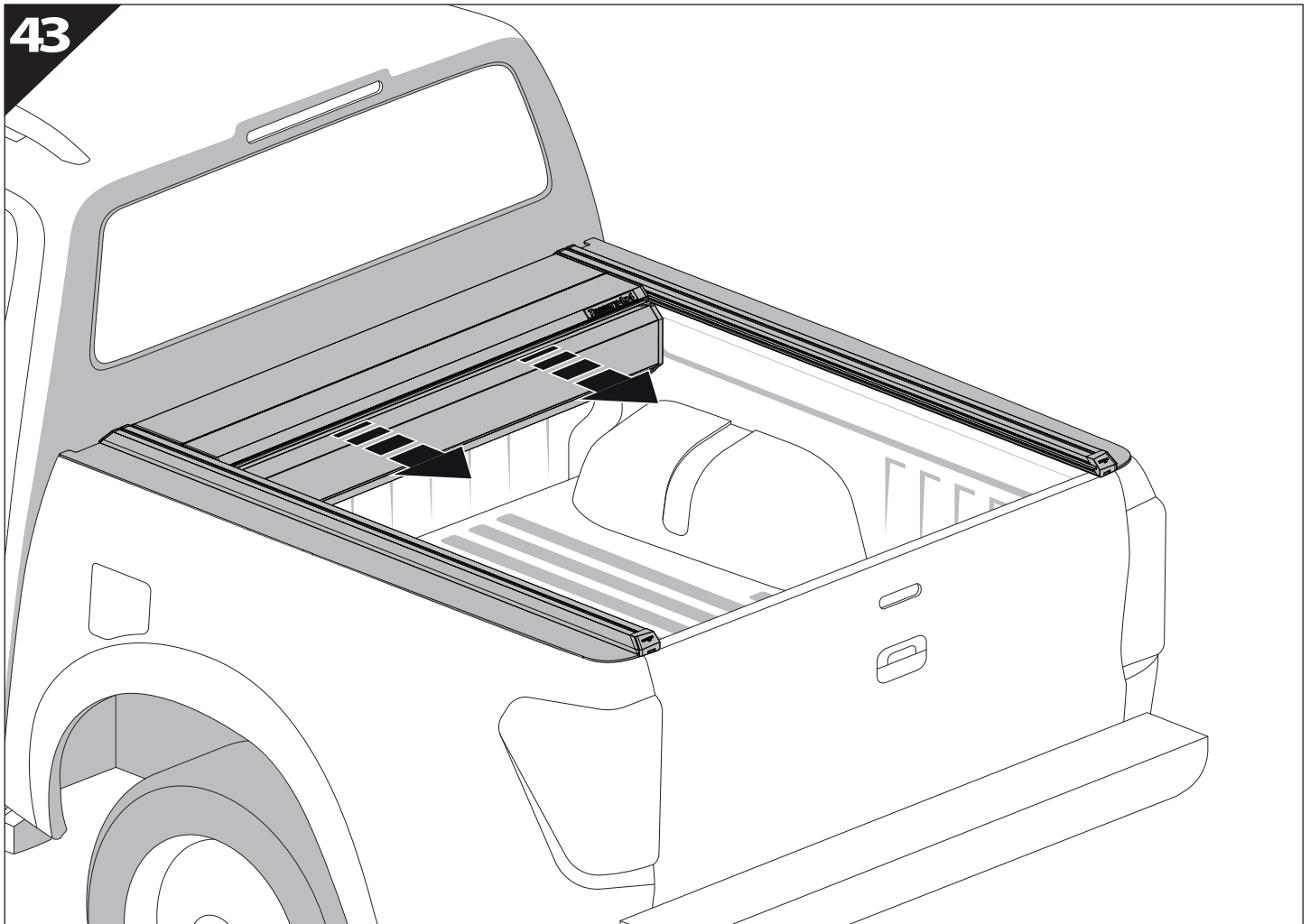
**CAUTION** !



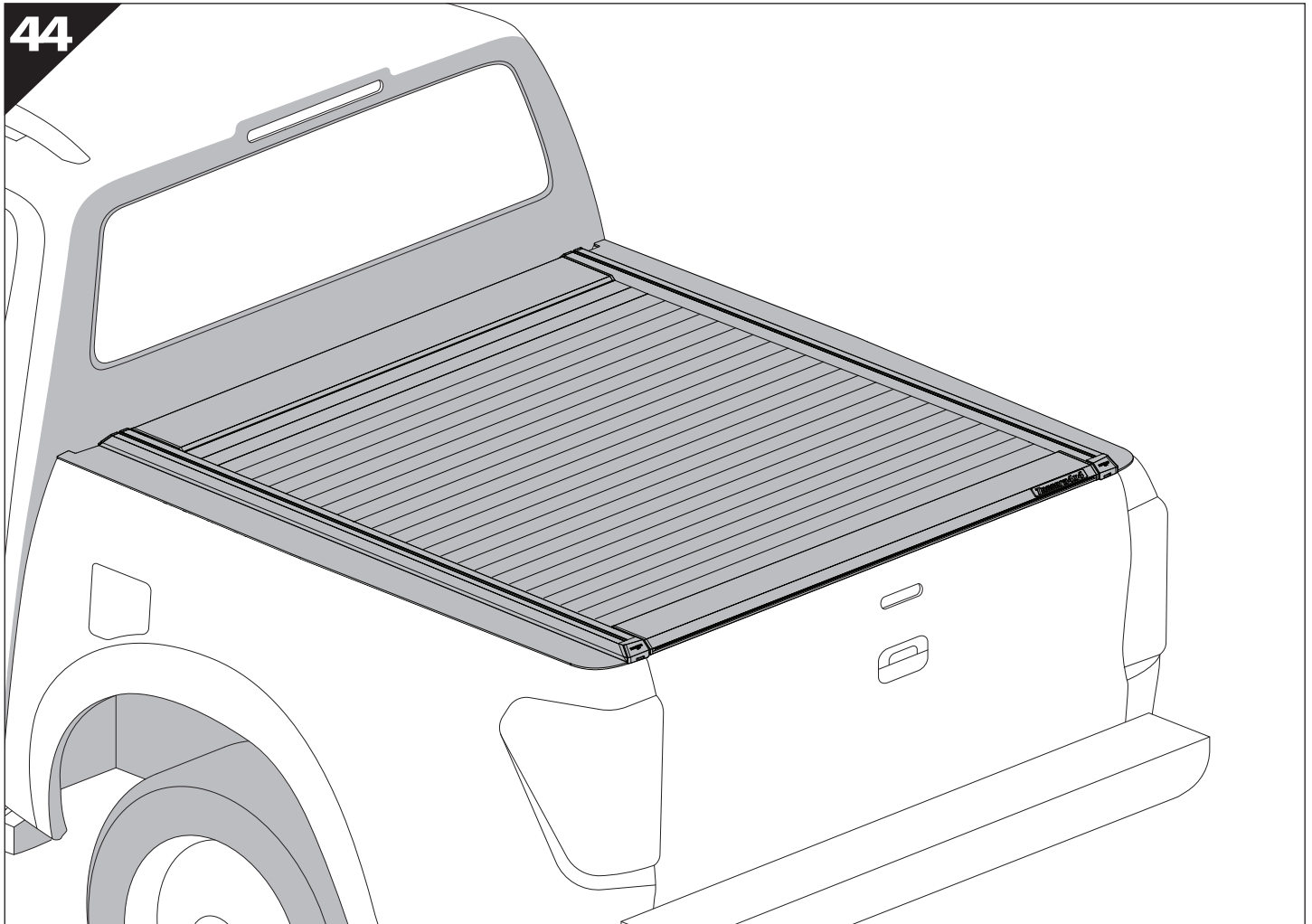
**CAUTION** !



43



44





**GR:** Οδηγίες Εγκατάστασης  
**GB:** Installation manual  
**SF:** Asennusohje  
**F:** Notice de montage  
**PL:** Instrukcja montażu  
**NL:** Installatie-instructies  
**TR:** Montaj Talimatı  
**S:** Monteringsanvisning  
**E:** Instrucciones de montaje

**H:** Szerelési utasítás  
**P:** Instruções de instalação  
**RUS:** Инструкция по установке  
**N:** Monteringsveiledning  
**D:** Einbauanleitung  
**CZ:** Návod k instalaci  
**I:** Istruzioni de montaggio  
**DK:** Monteringsvejledning  
**RO:** Instructiuni de instalare

Customer Service:

+30 (210) 5541161, +30 (210) 5541154 (08:00 - 16:00 EET)

Support department:

[info@gianso.gr](mailto:info@gianso.gr)

Website:

[www.tessera4x4.com](http://www.tessera4x4.com)

Address:

19.5 km of National road Athens-Korinthos (Elefsina) Greece, P.C: 19200