

# Tessera Roll+

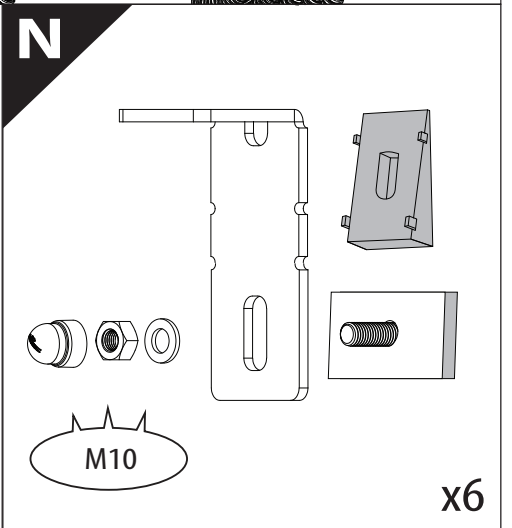
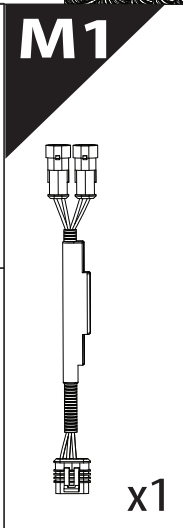
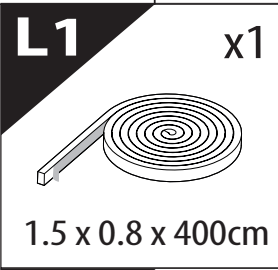
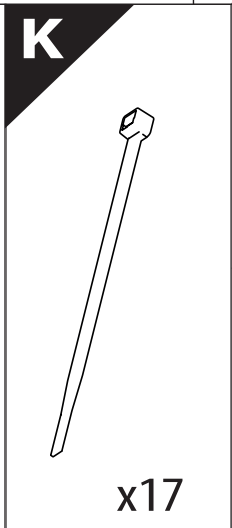
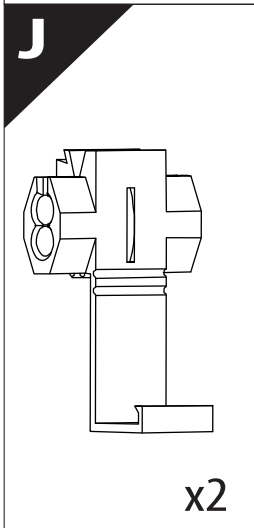
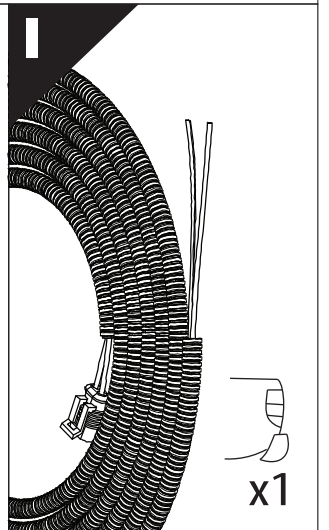
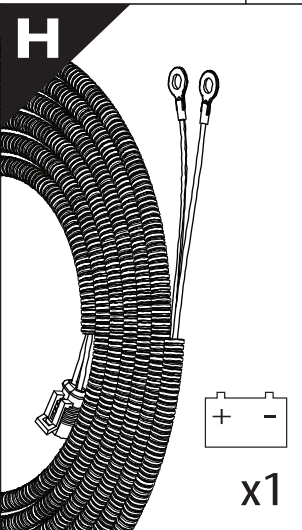
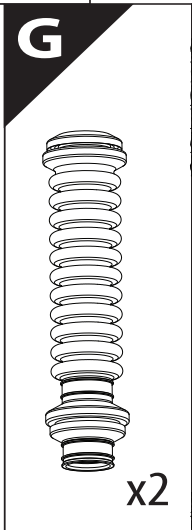
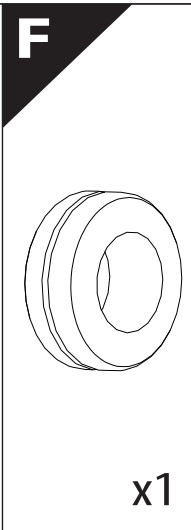
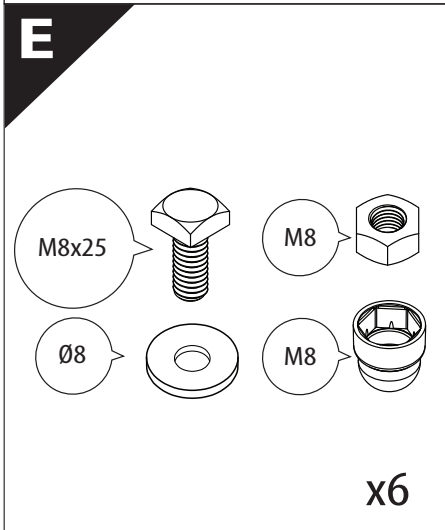
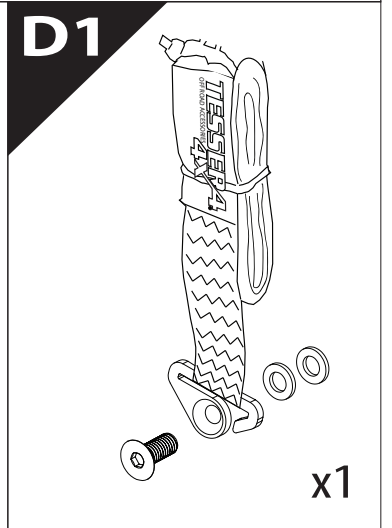
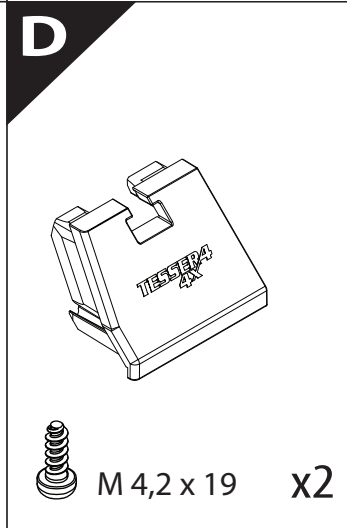
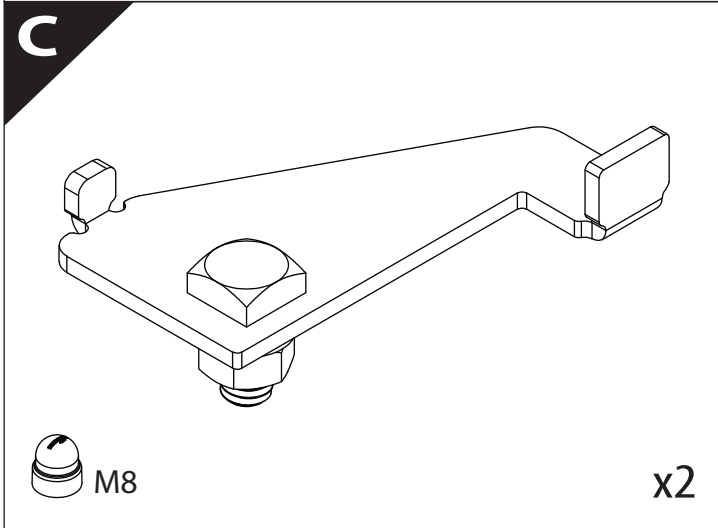
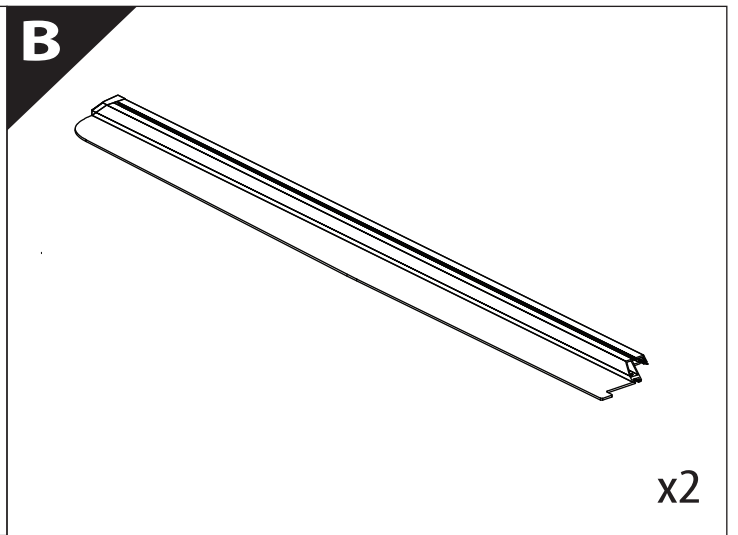
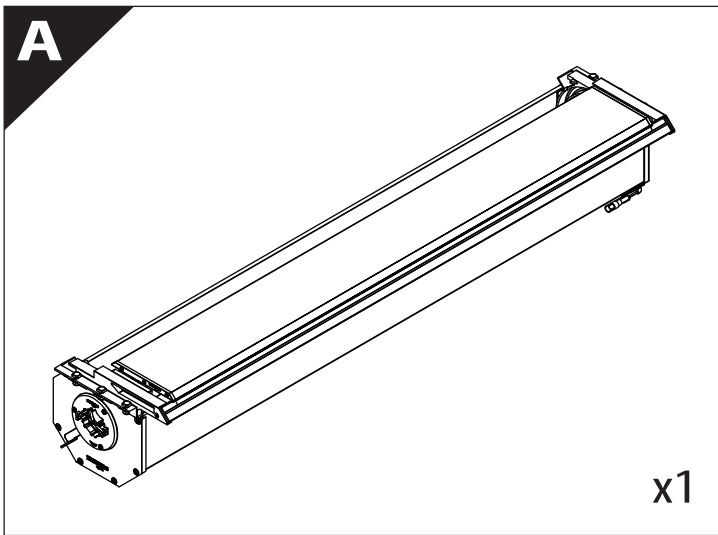
## Basic Version + ⚙️ S-KIT

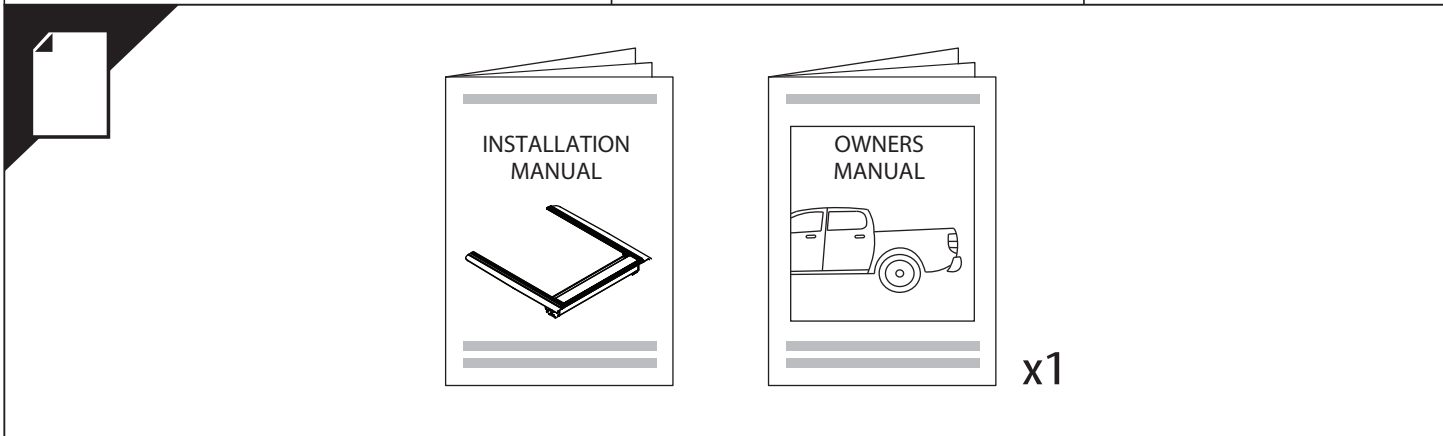
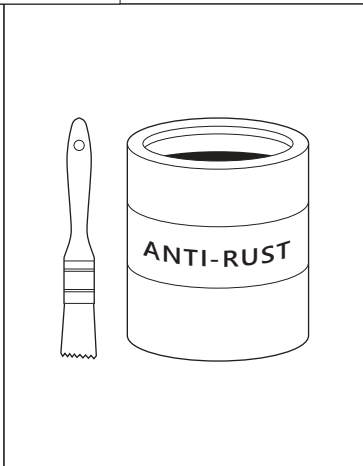
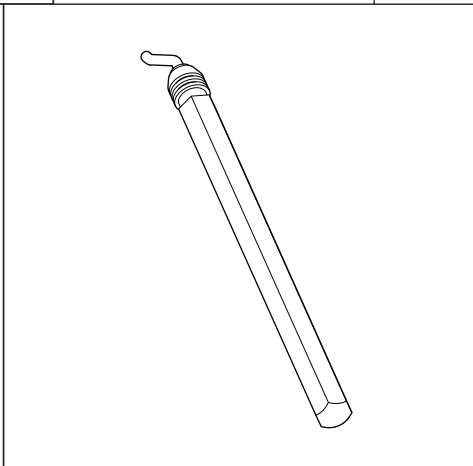
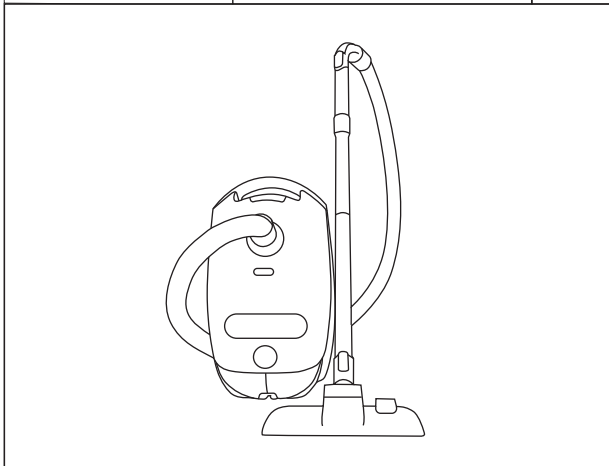
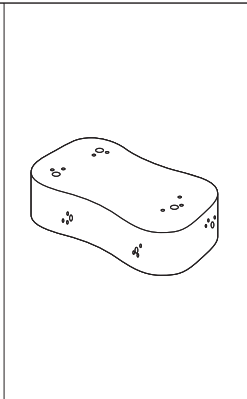
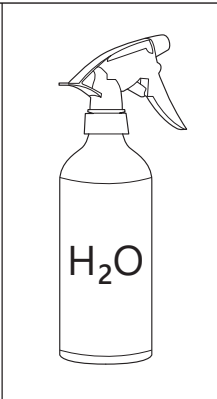
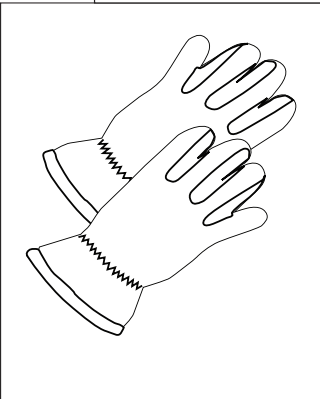
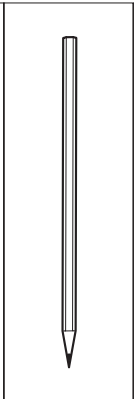
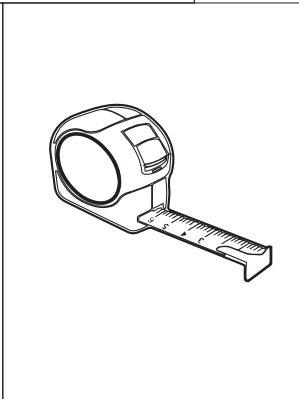
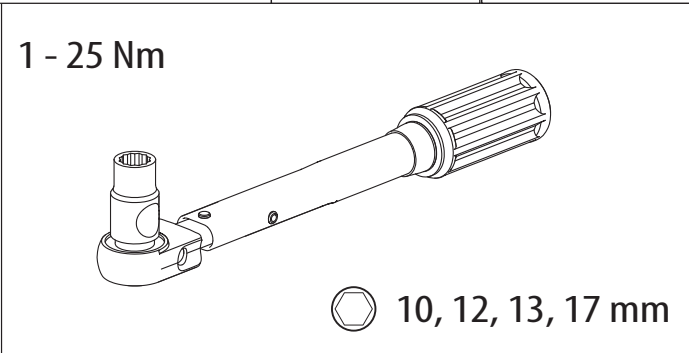
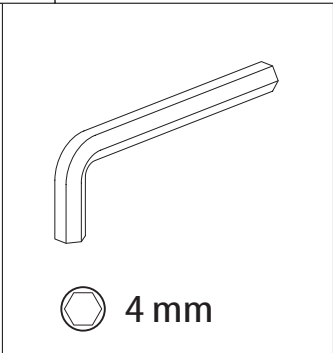
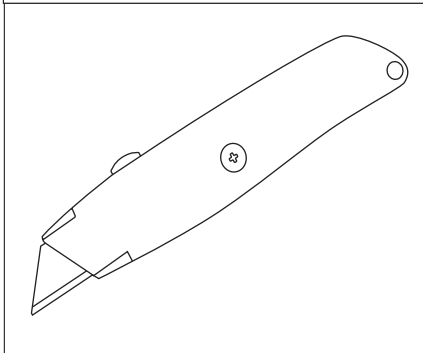
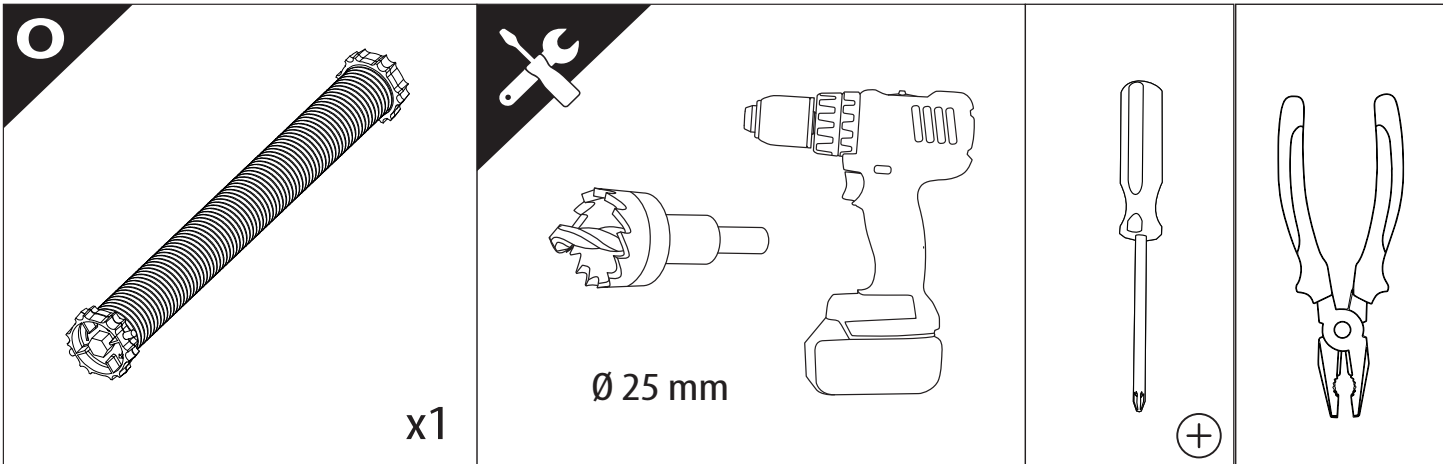


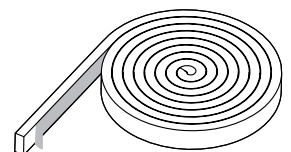
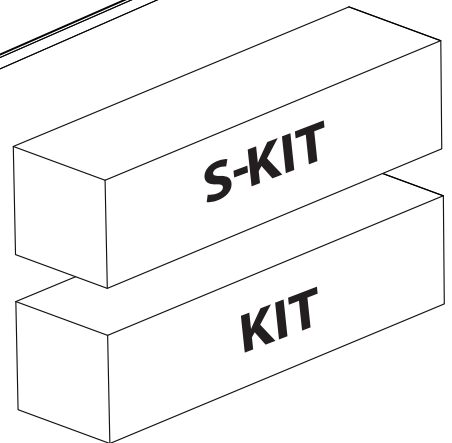
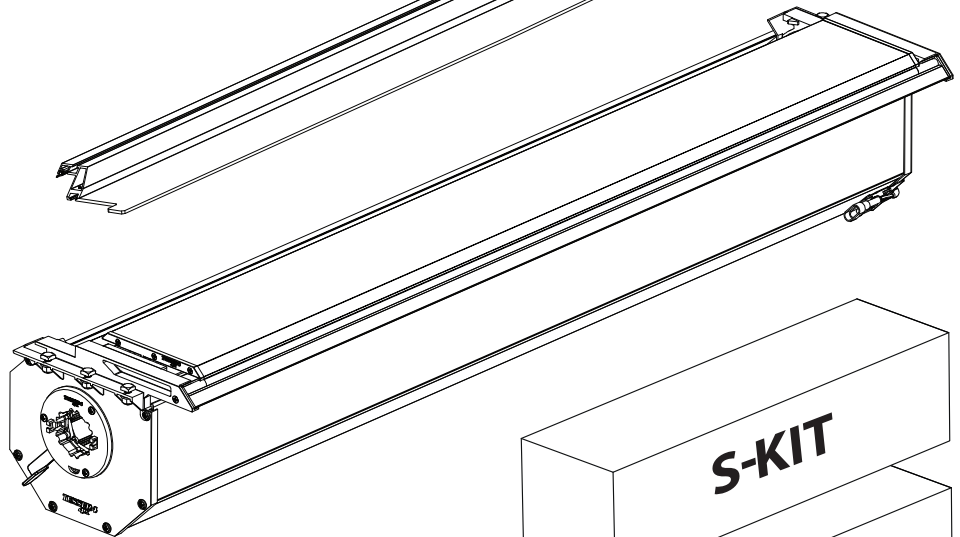
## Installation Manual

PART NUMBER(S)	Model Year
TESS 1431 ROLL+S-KIT	Toyota Tundra 2014 ->2021 & 2022+ ( with c - channels )
TESS 14311 ROLL+S-KIT	
Cab(s)	Installation Time / Weight
5.5 Feet & 6.5 Feet	40-60 minutes / 53-57 kg







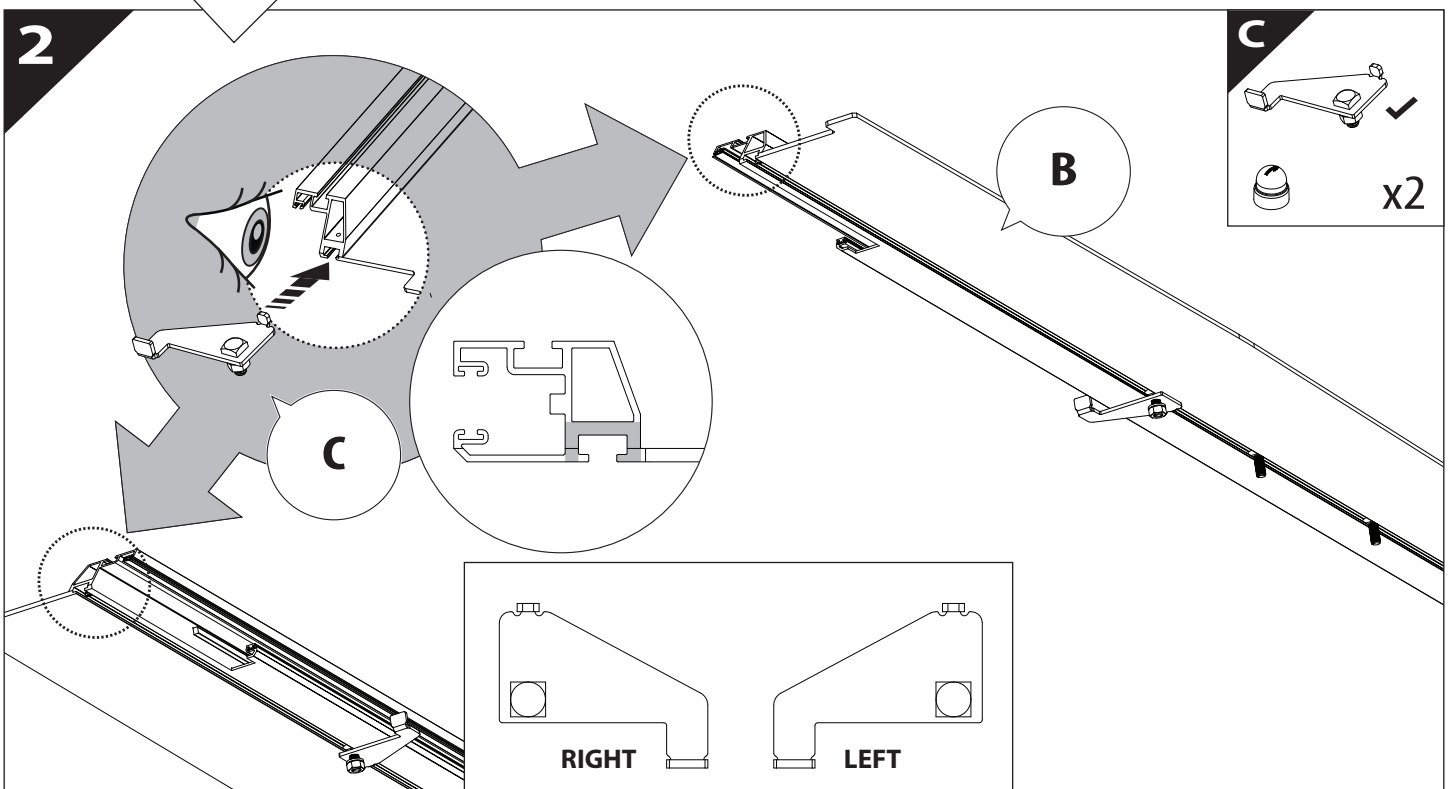
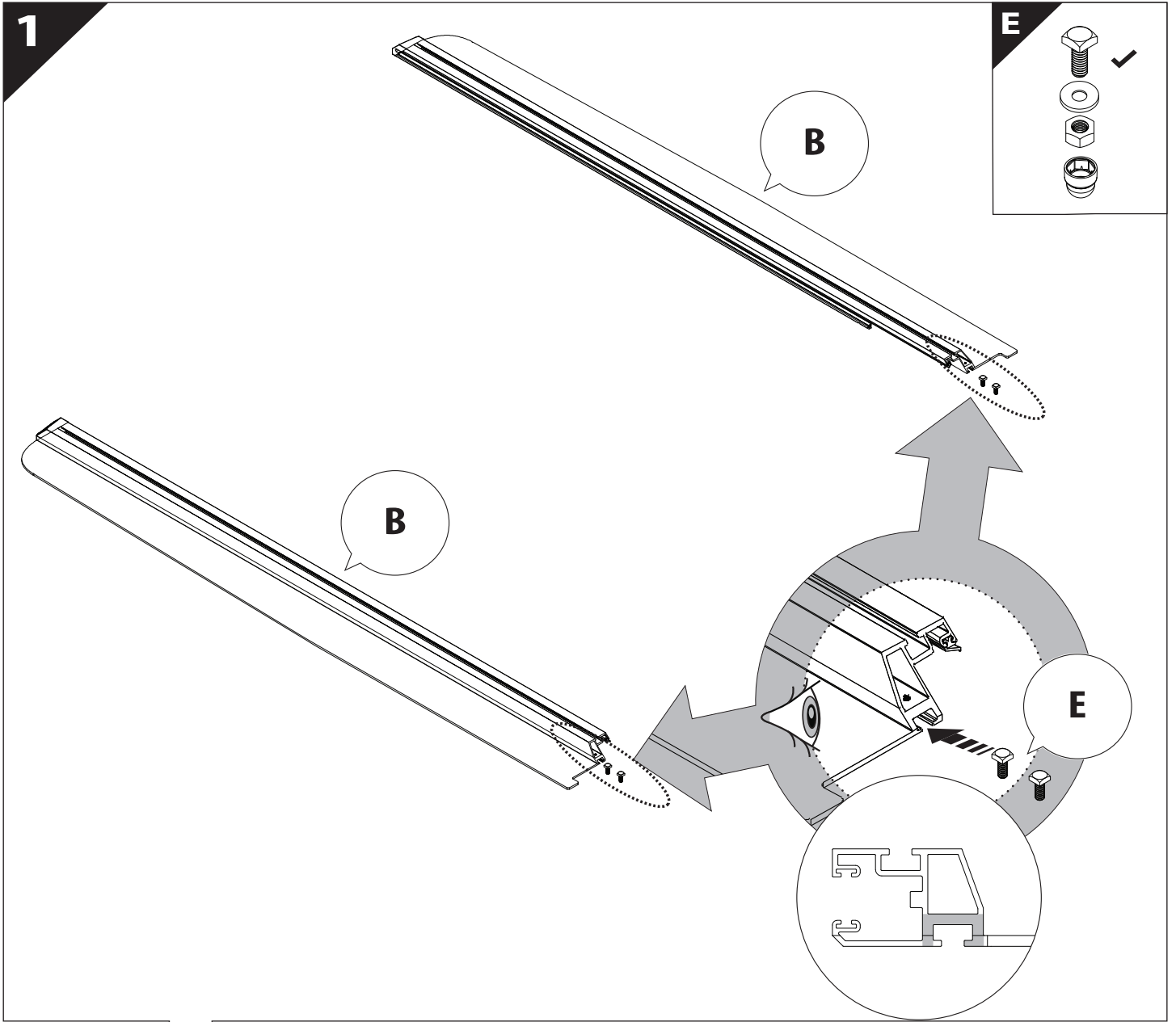


**B**

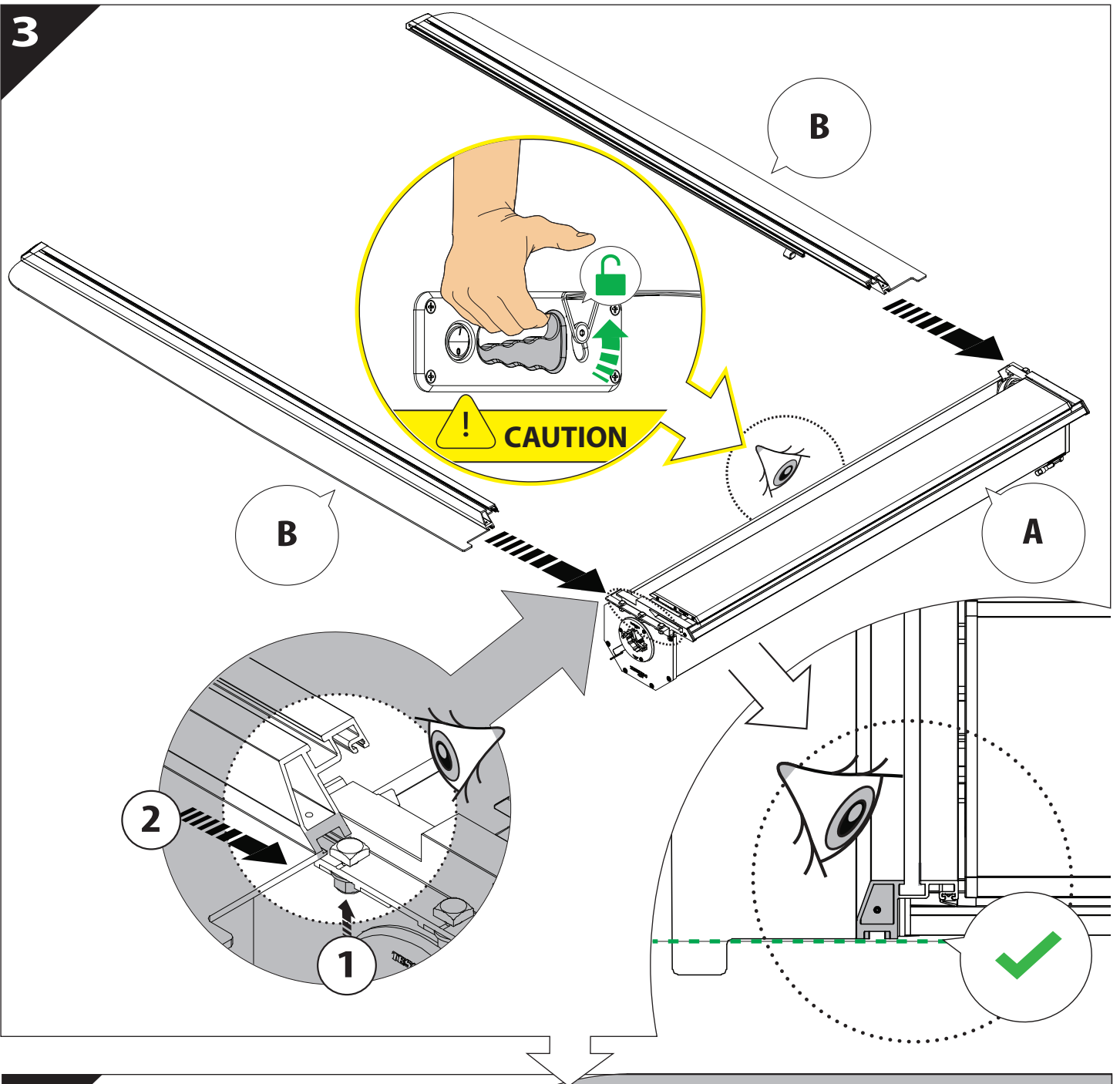
**A**

**KITS**

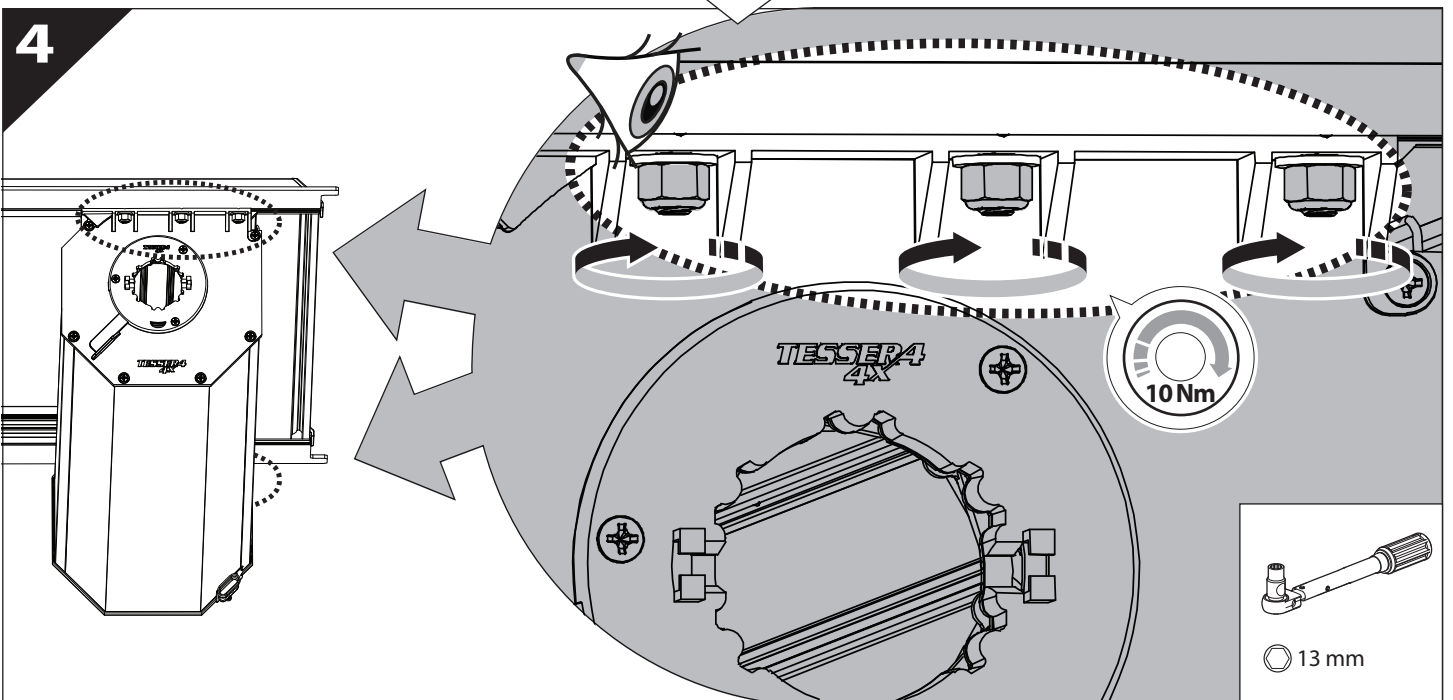
**L**

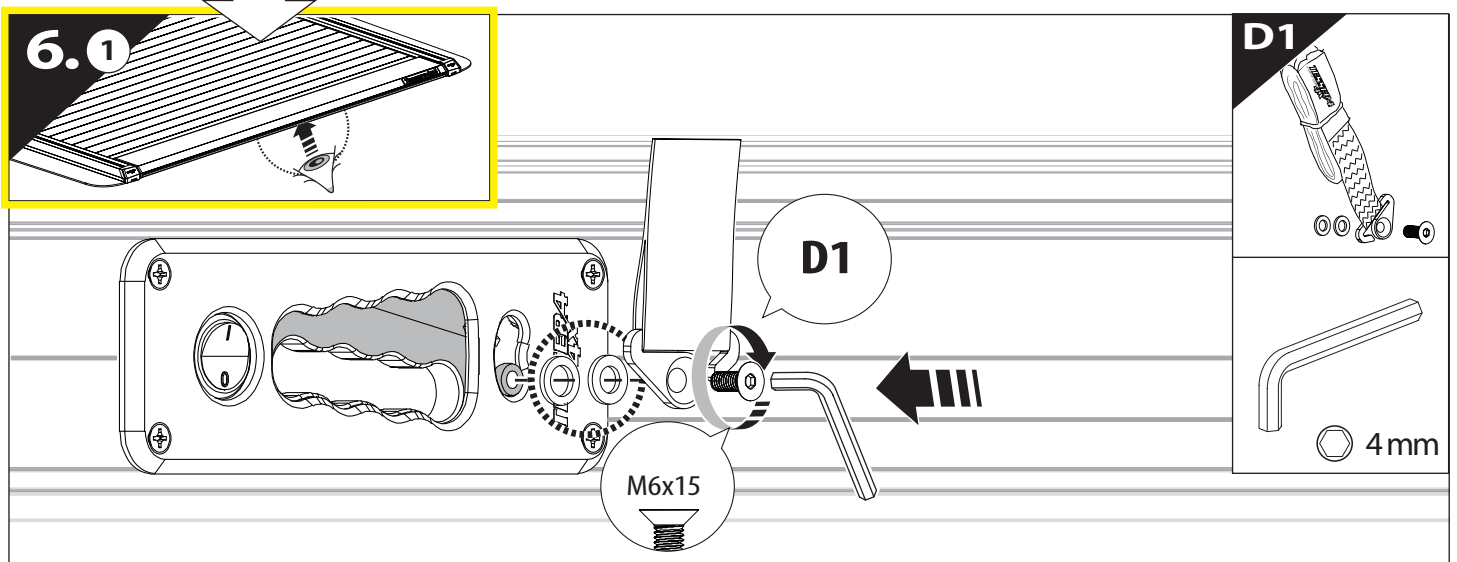
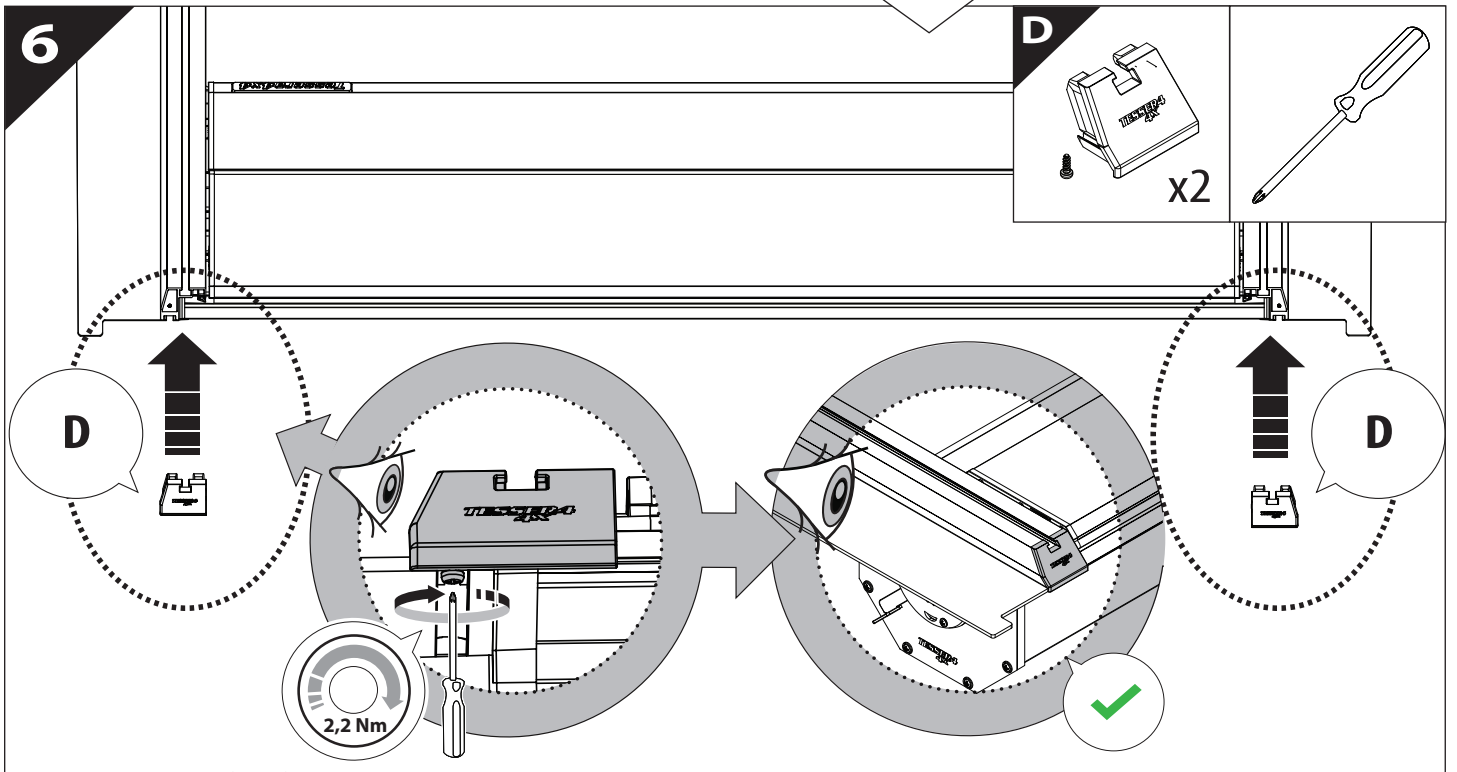
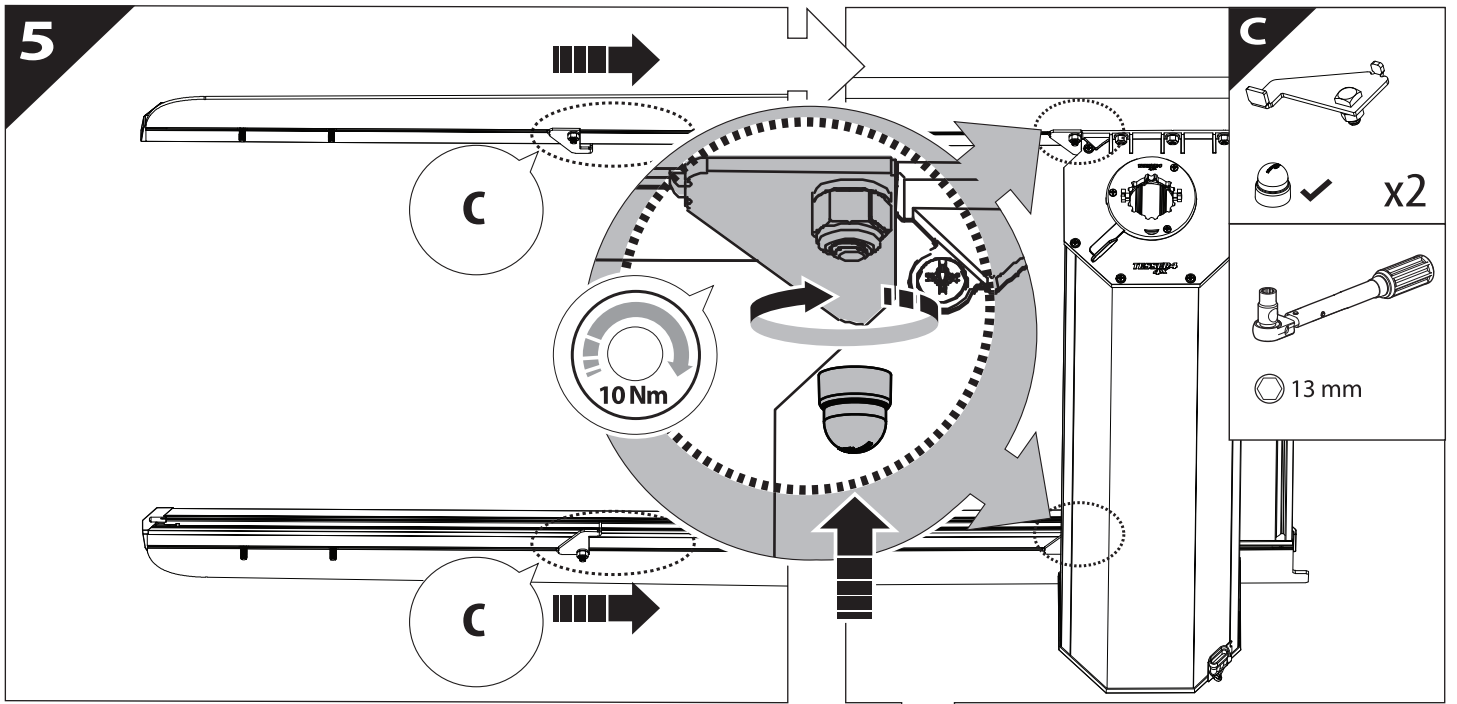


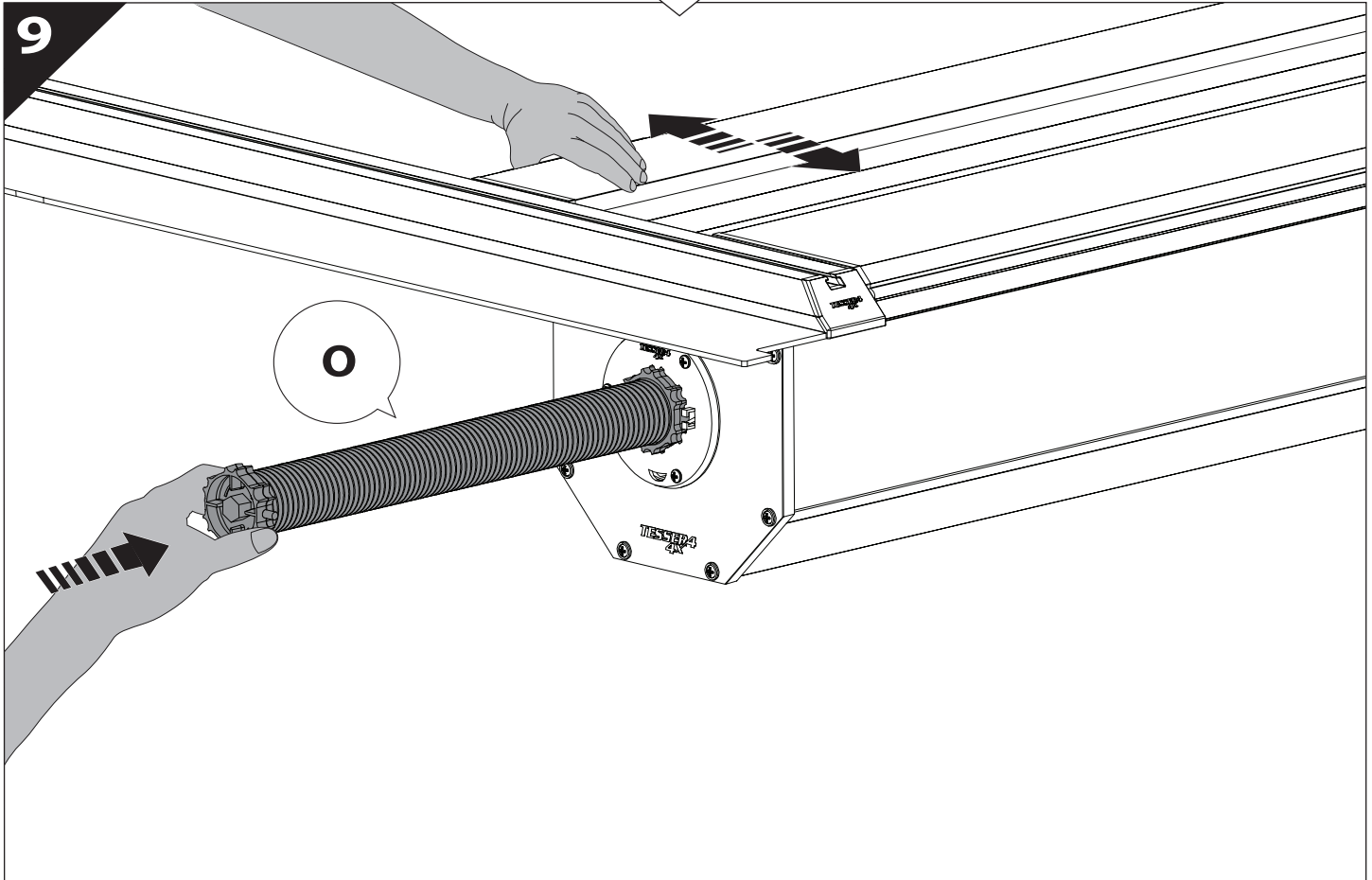
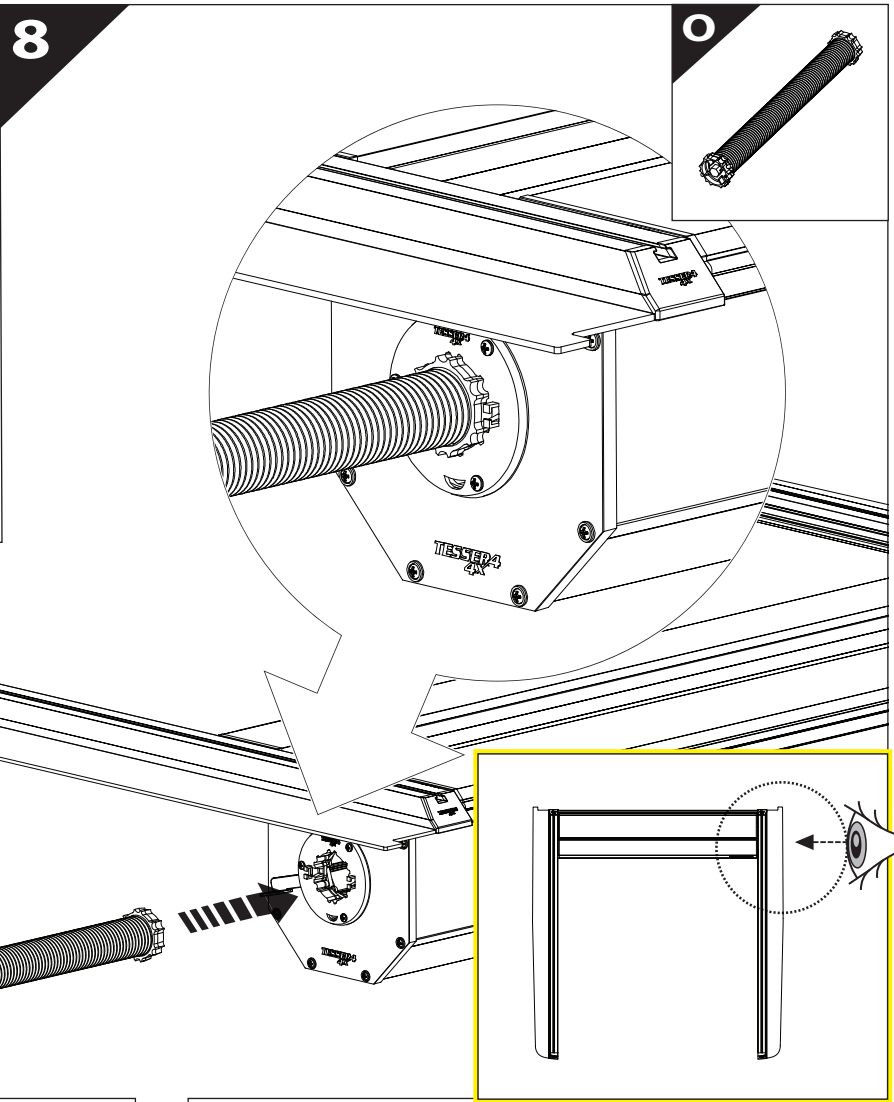
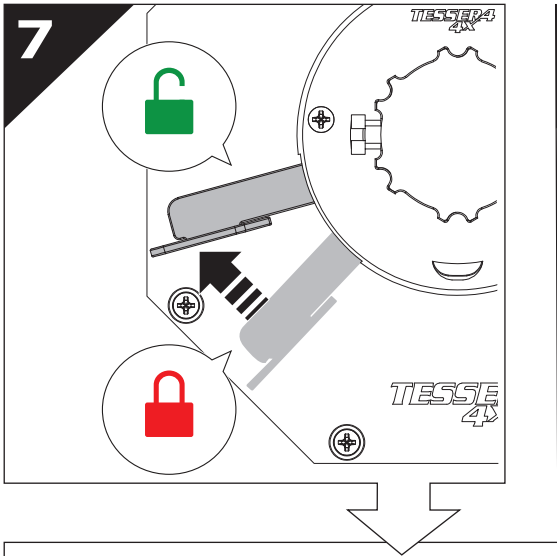
3



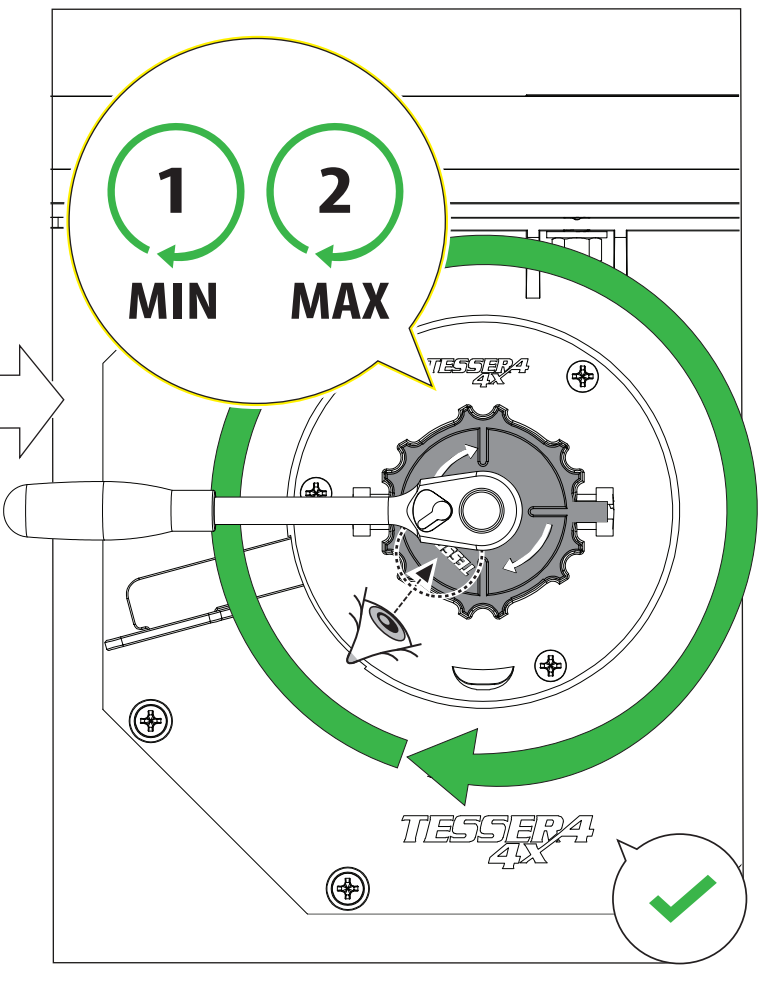
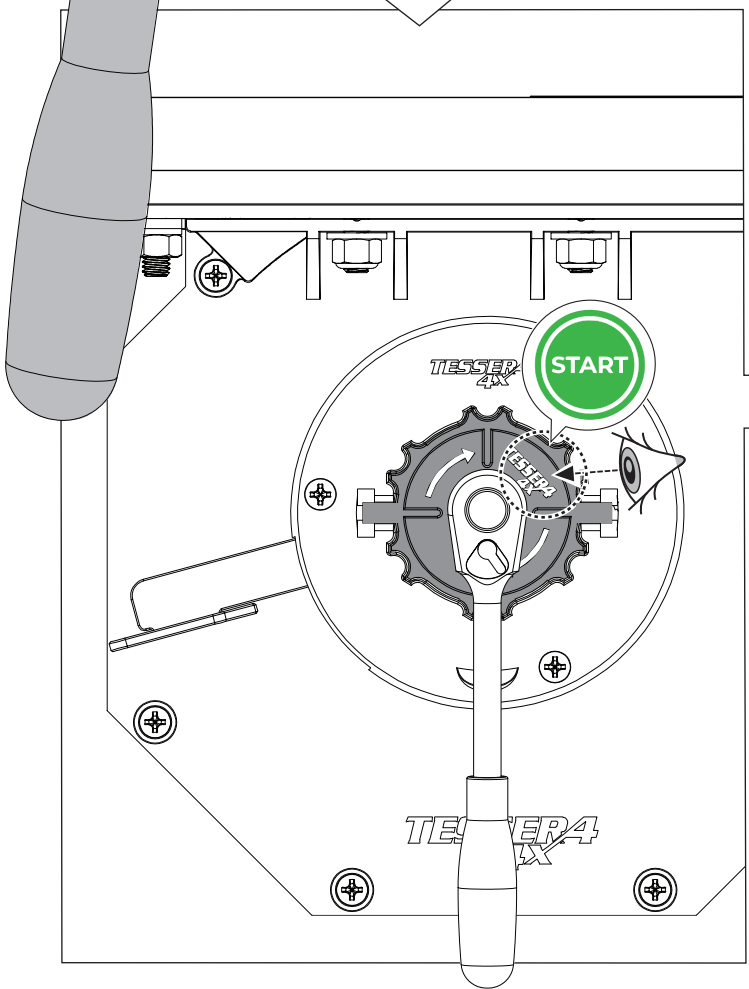
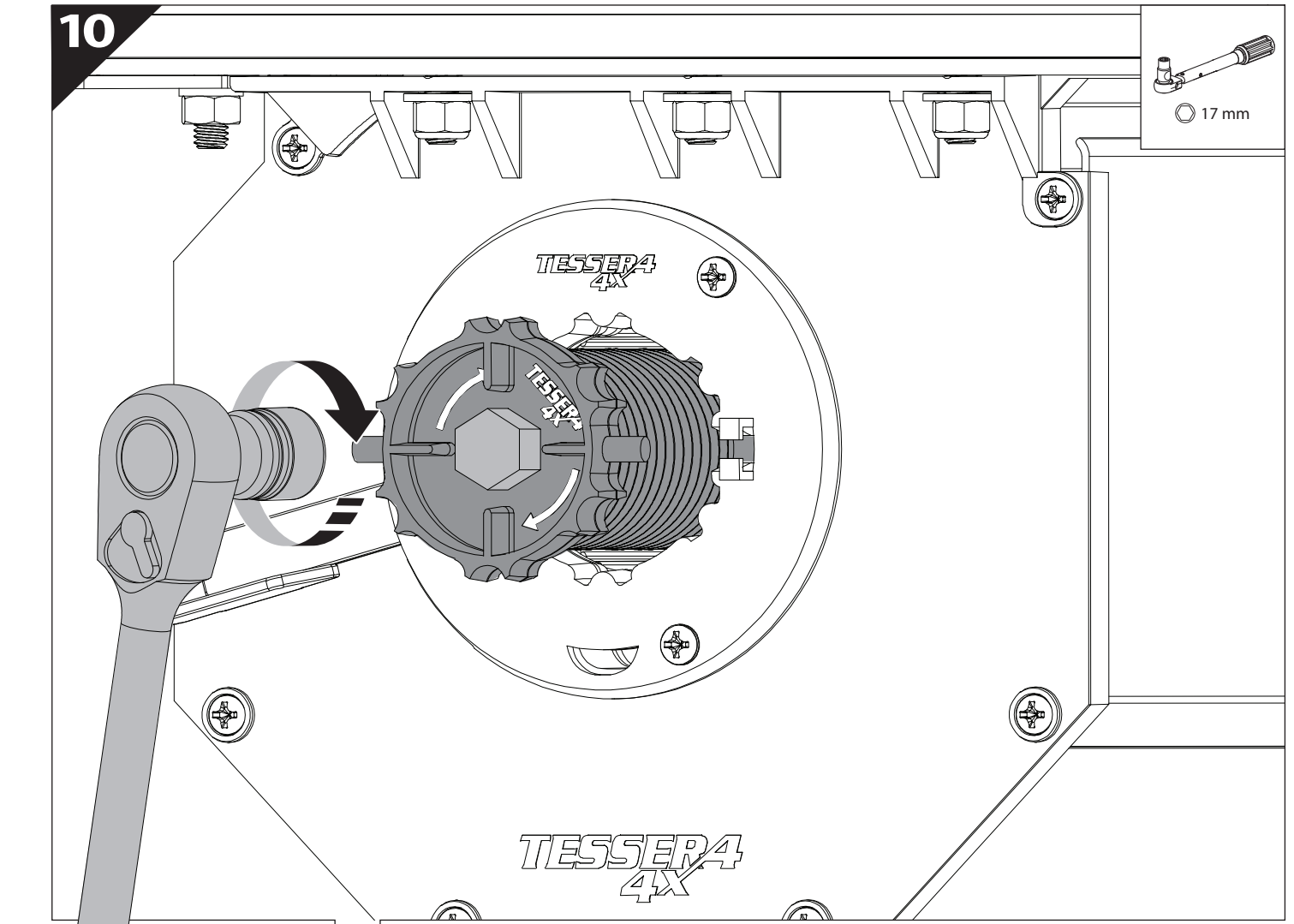
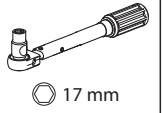
4



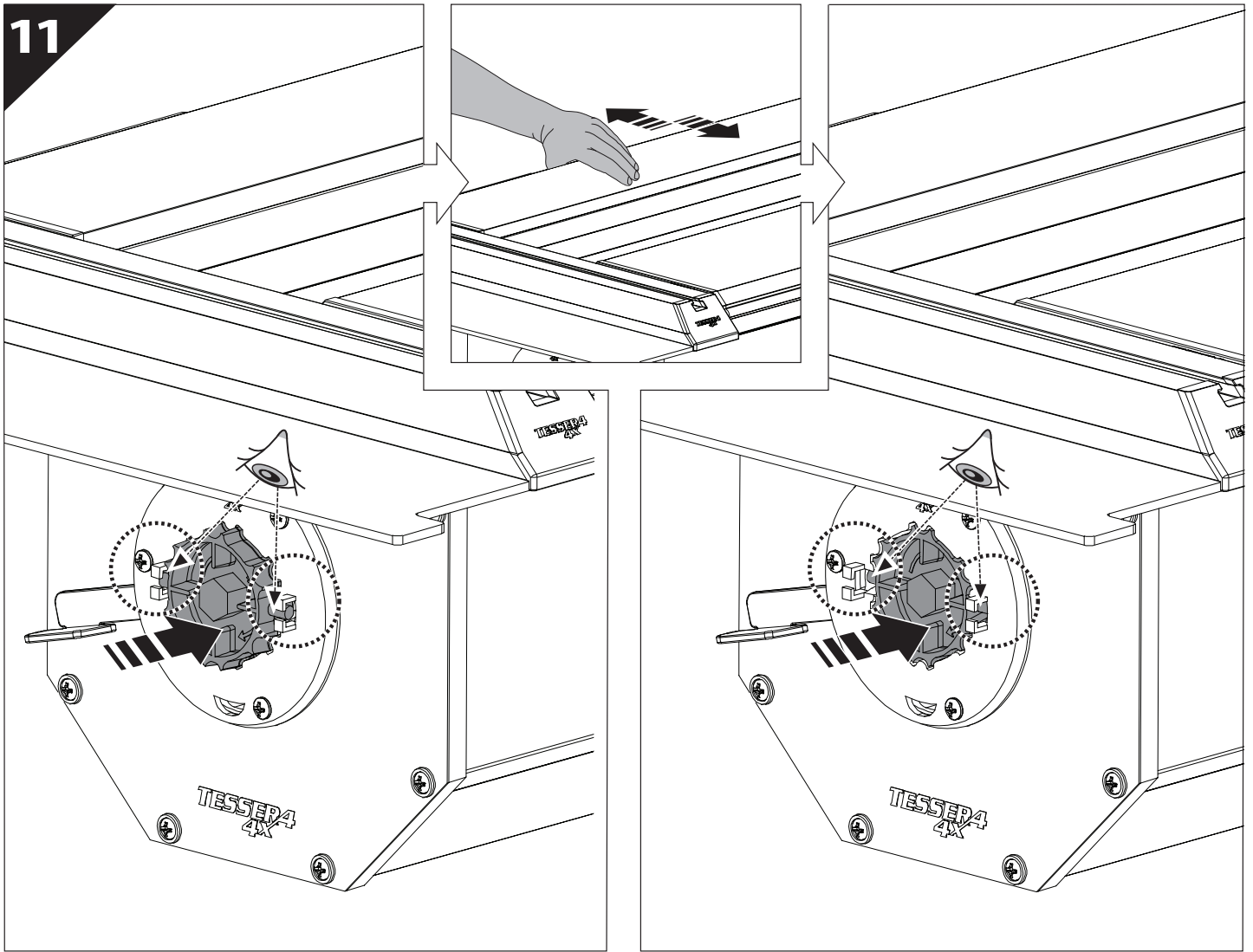




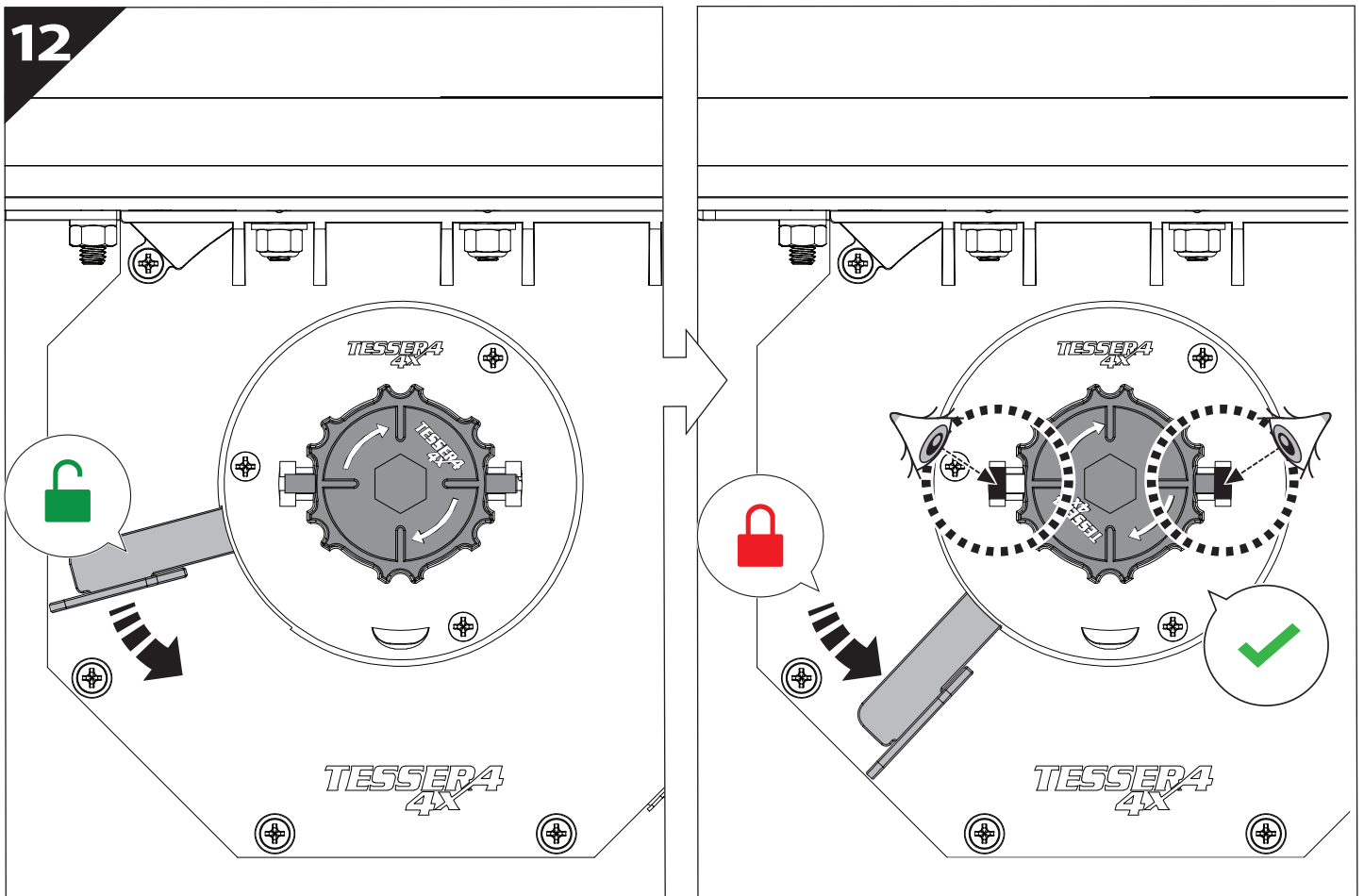
10



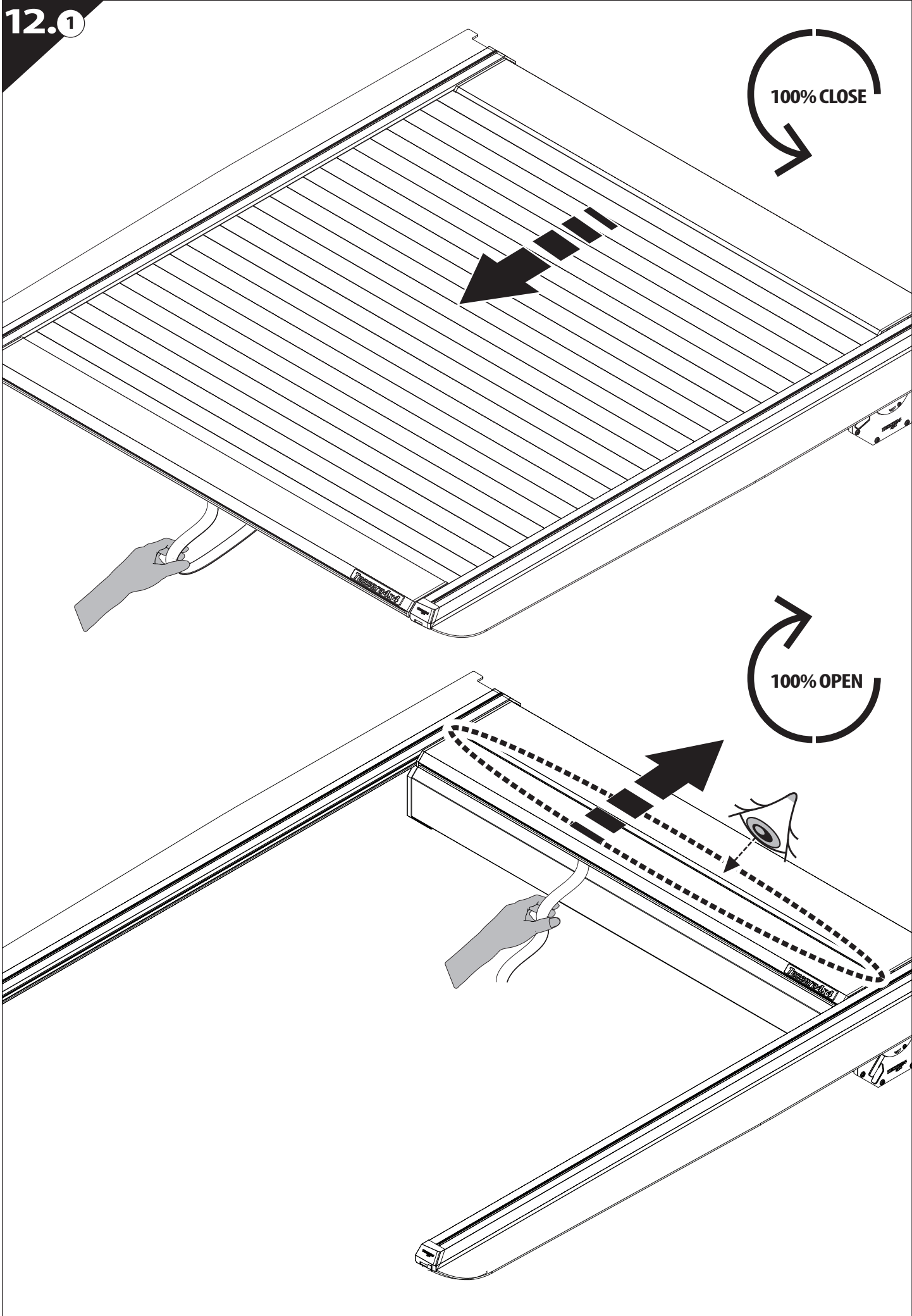
11

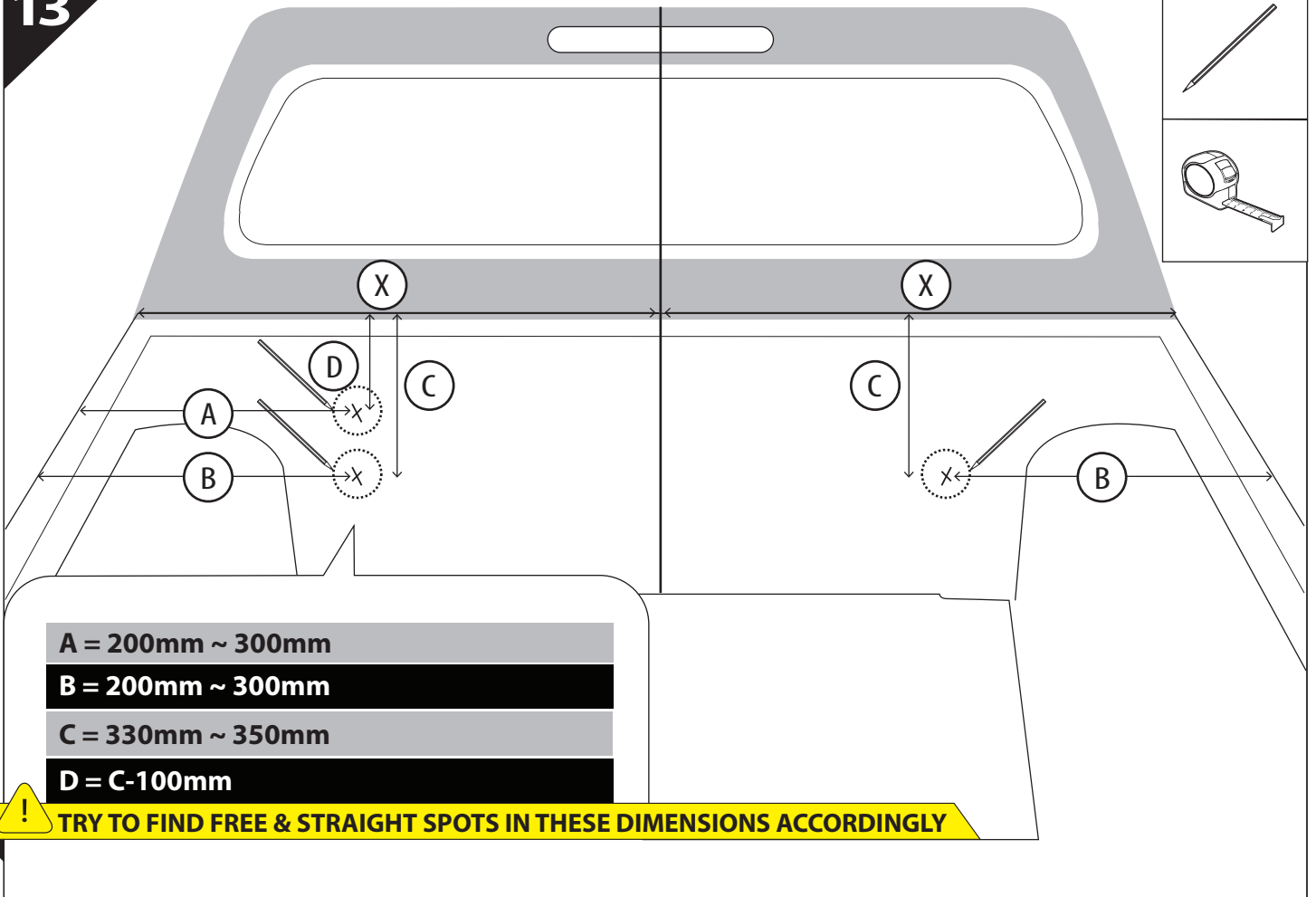
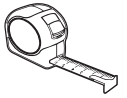


12



12.0






14

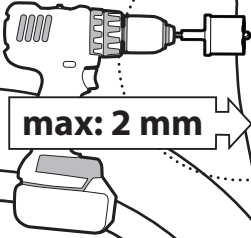


Ø 25 mm




Rust Protection

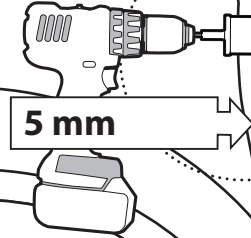
**CAUTION**



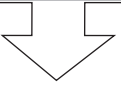



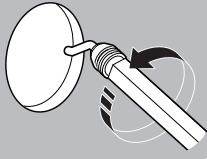

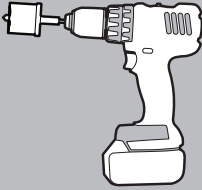

max: 2 mm



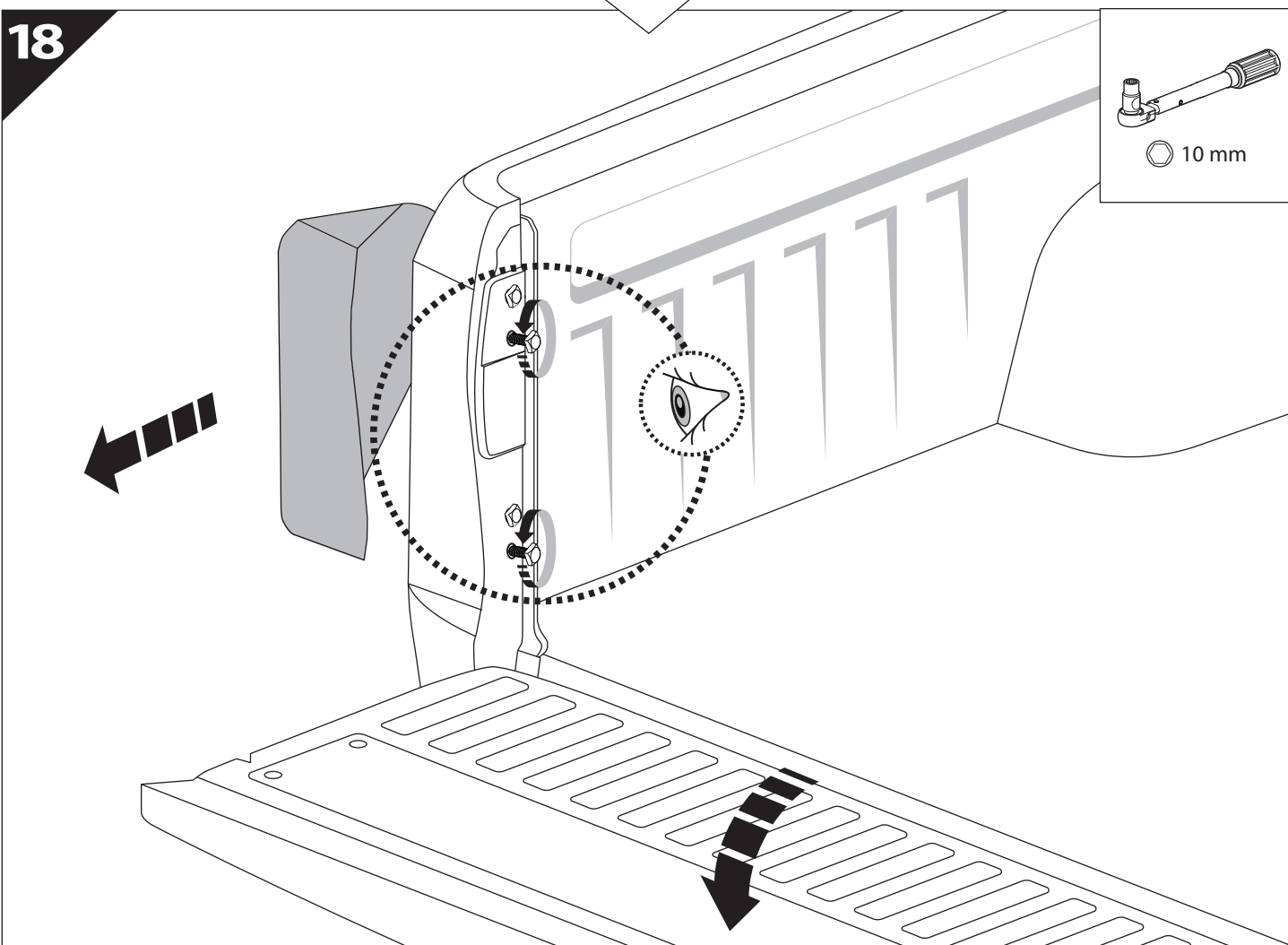
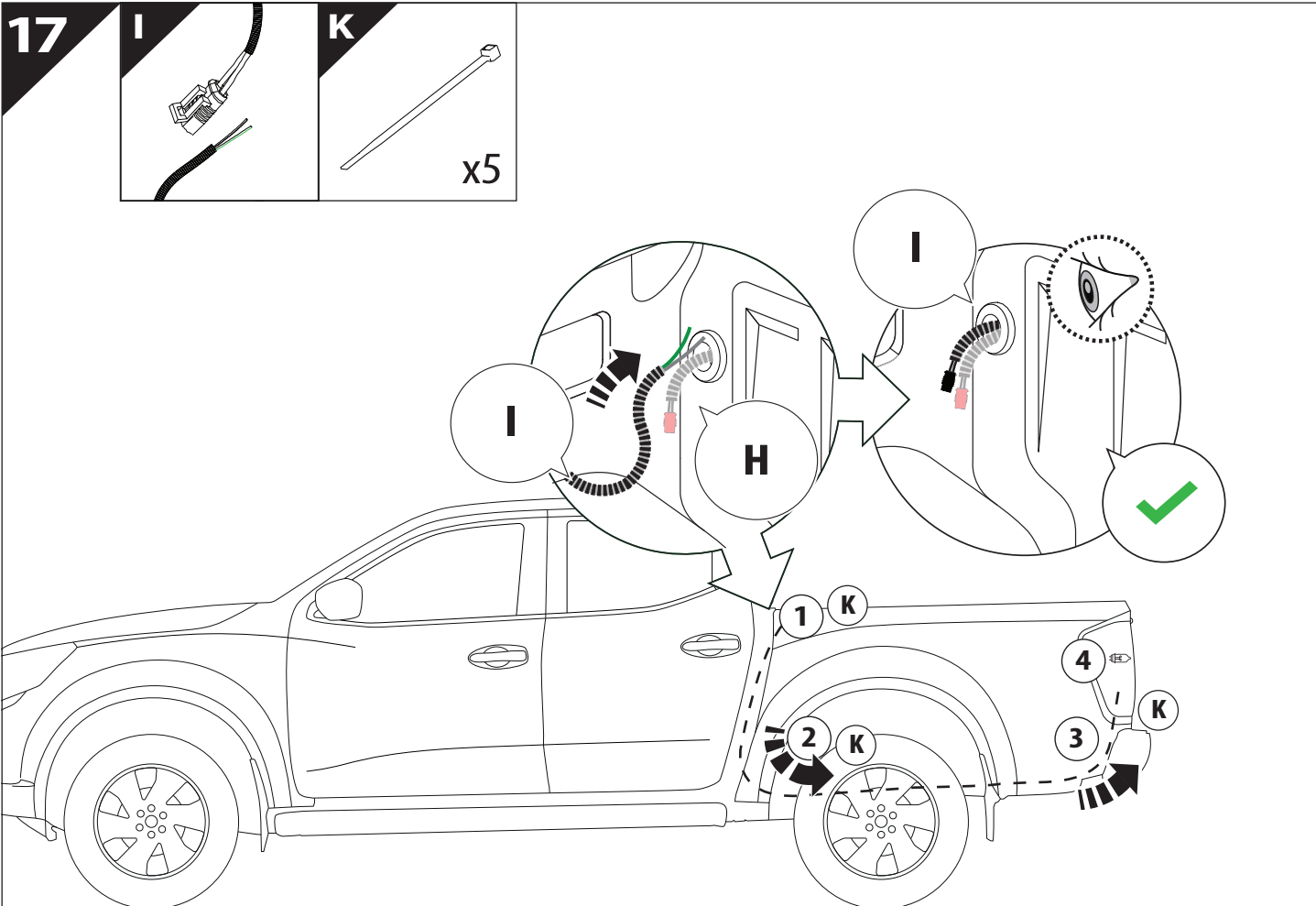
**CAUTION**



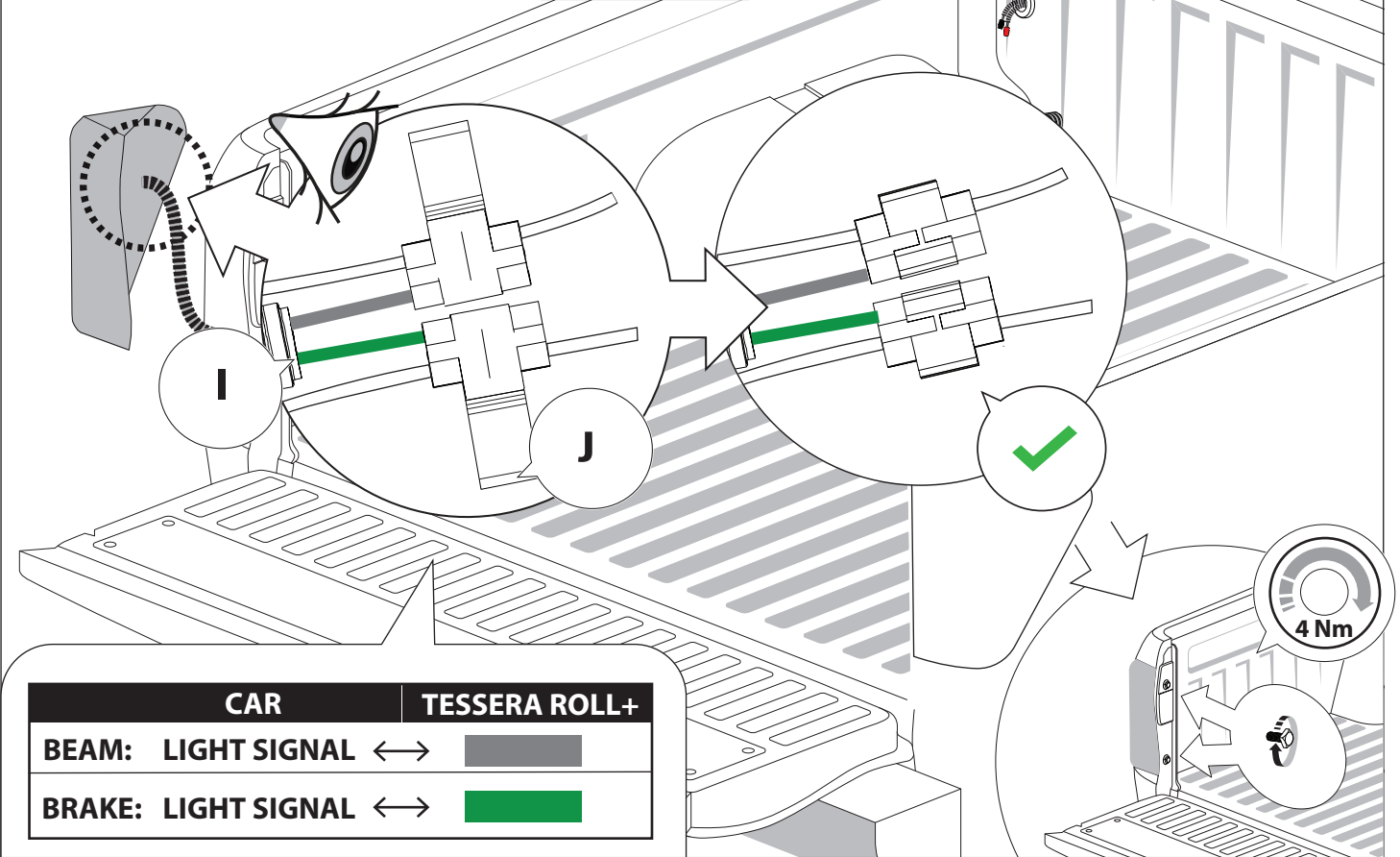
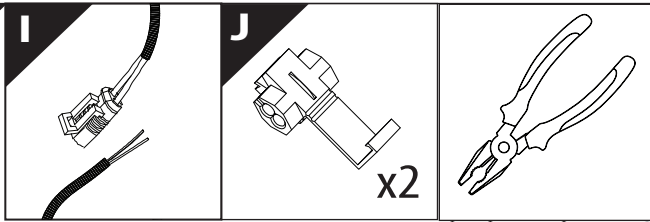
5 mm







19

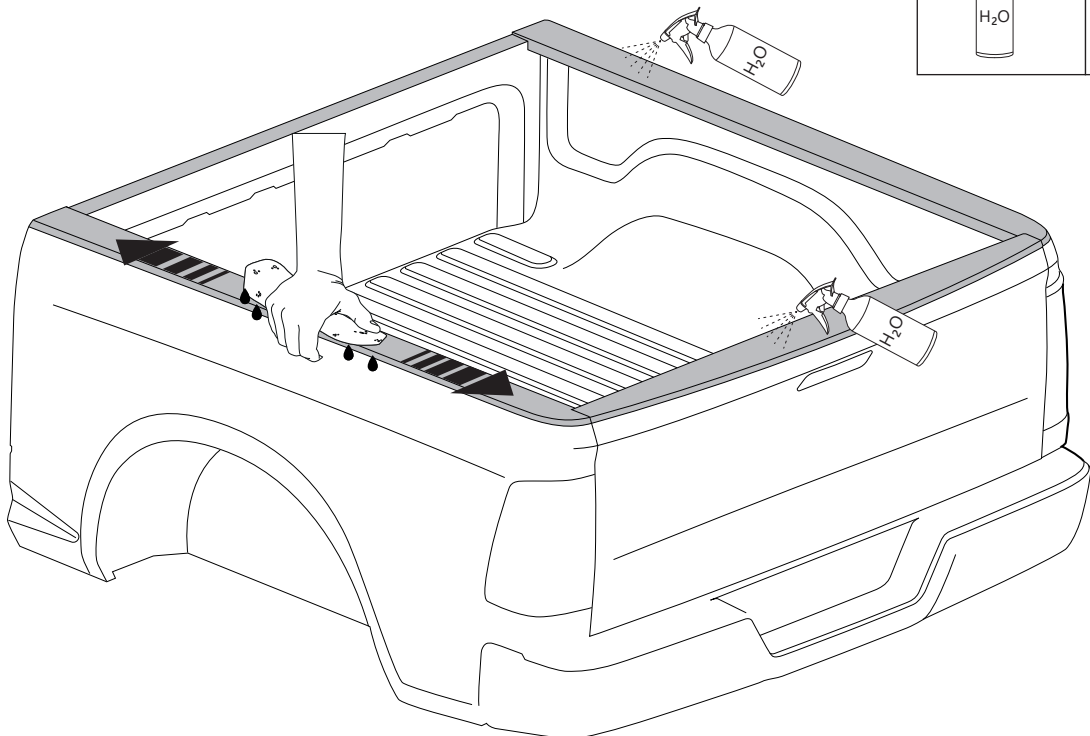
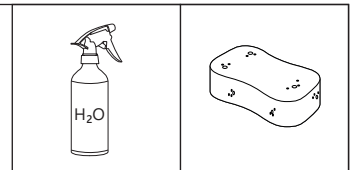


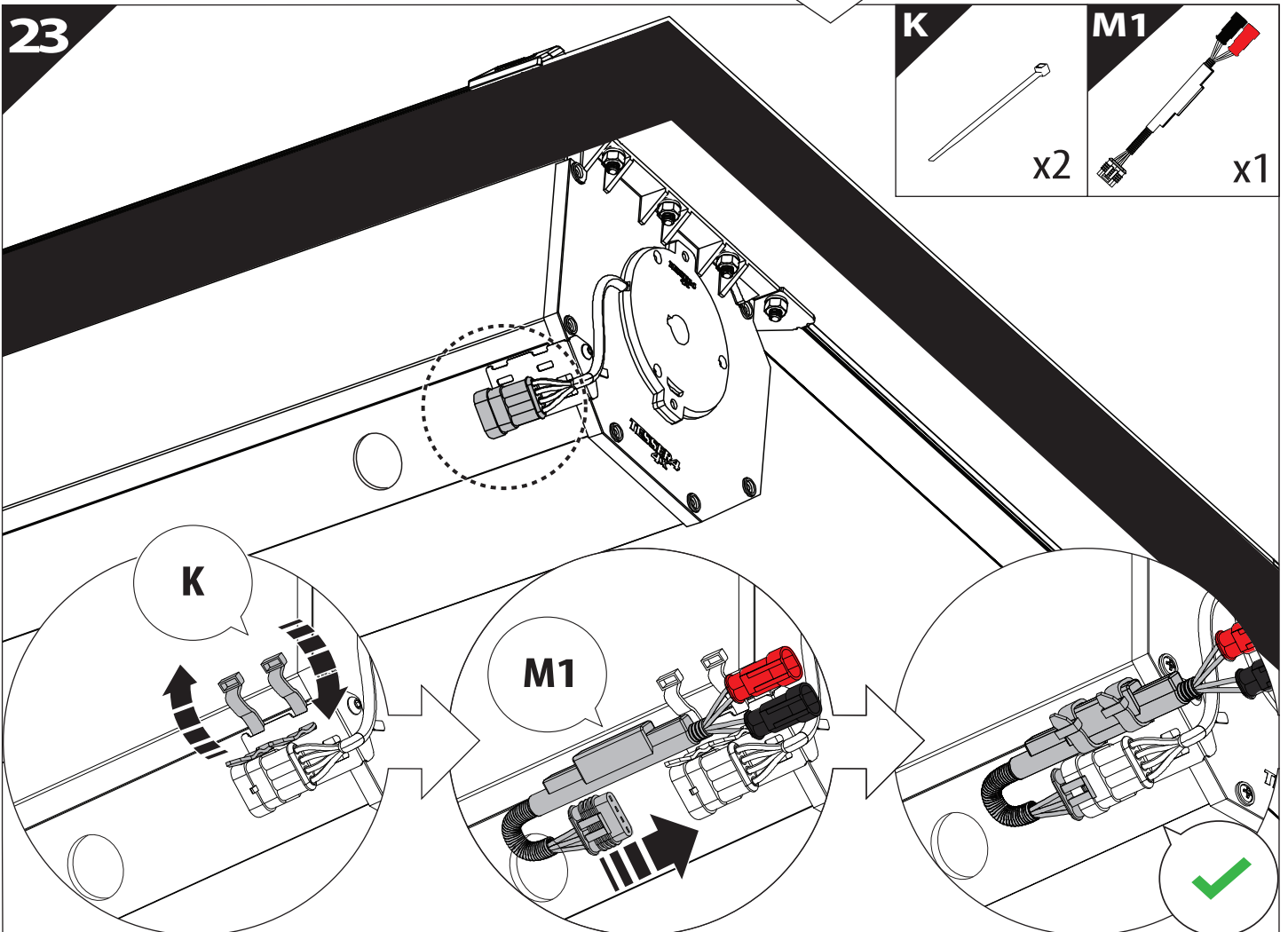
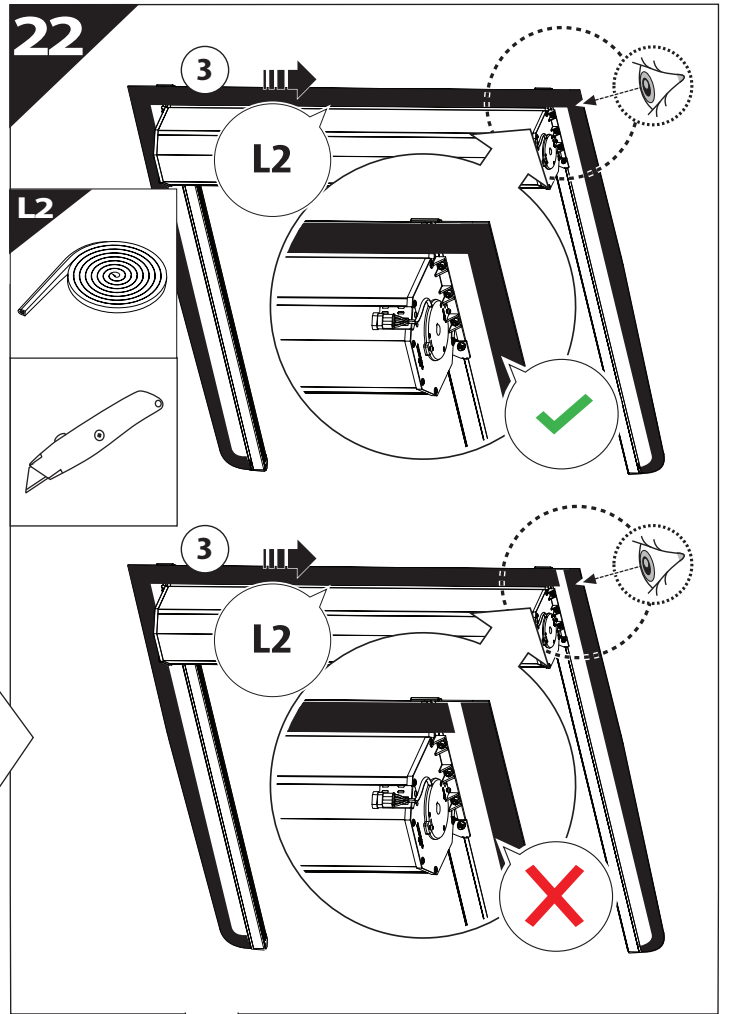
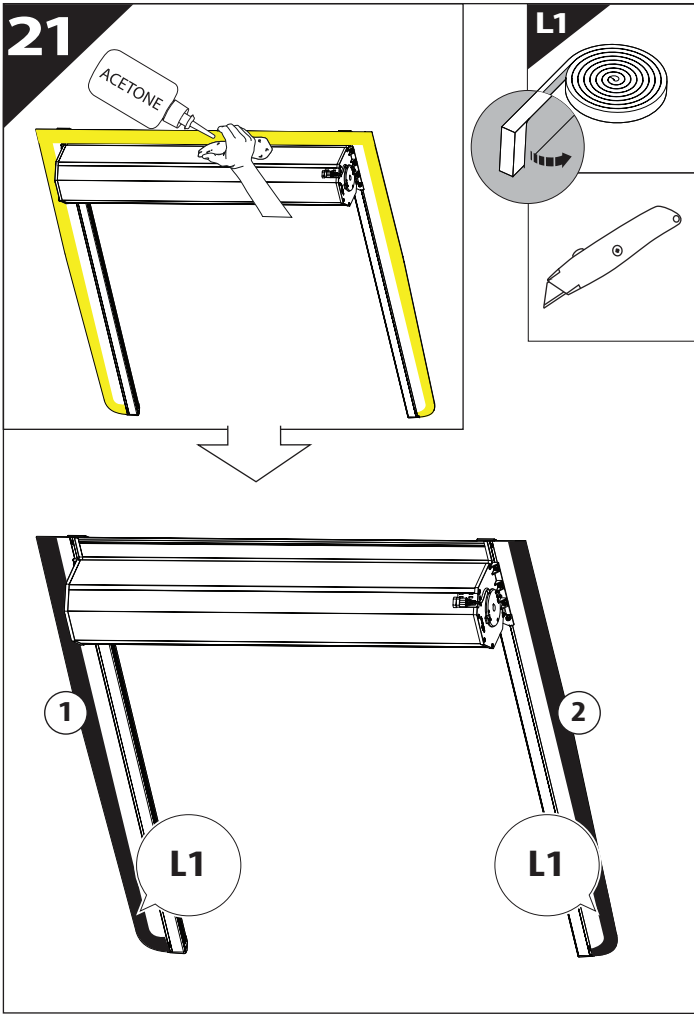
	CAR	TESSERA ROLL+
BEAM:	LIGHT SIGNAL ↔	
BRAKE:	LIGHT SIGNAL ↔	

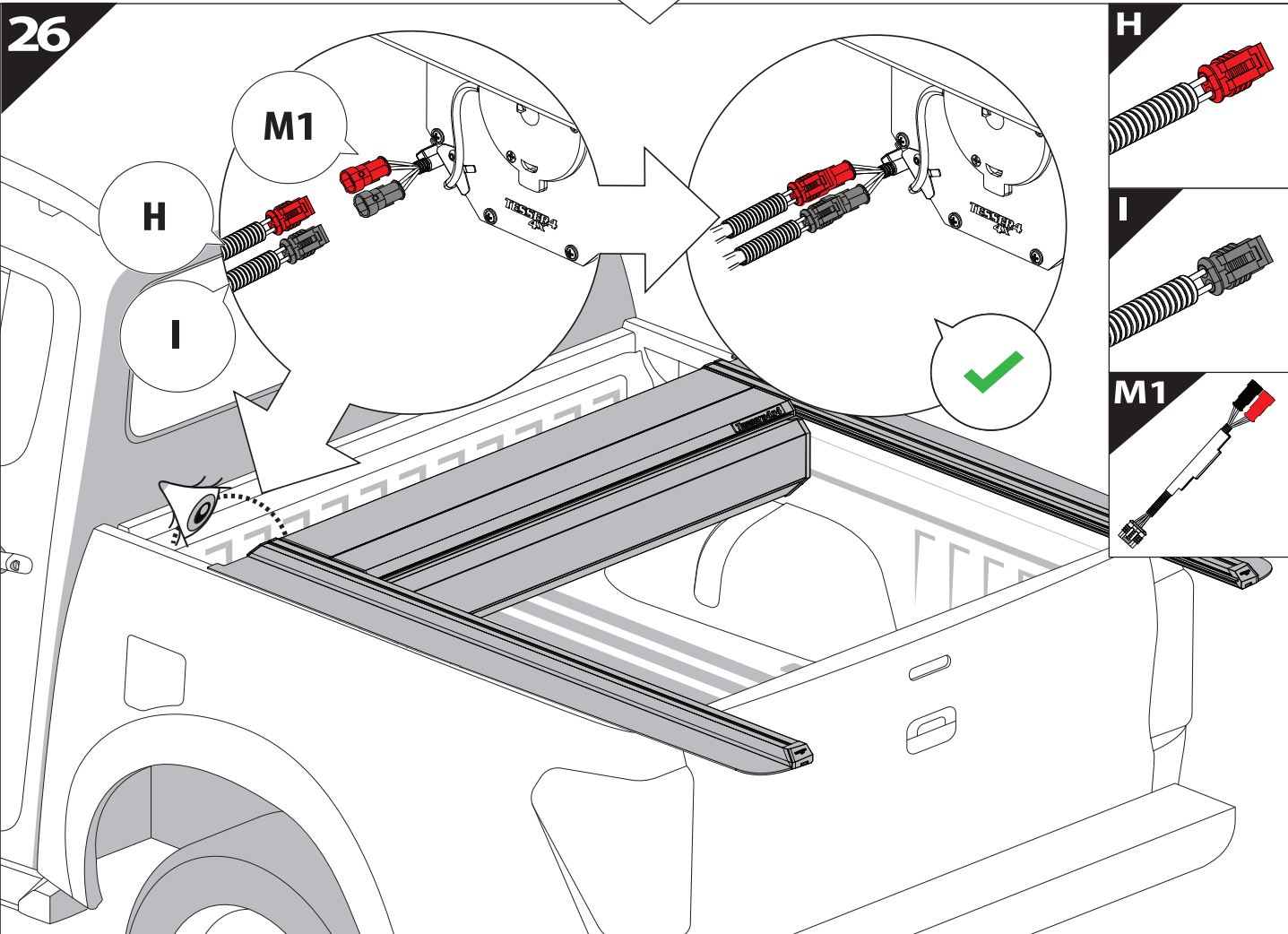
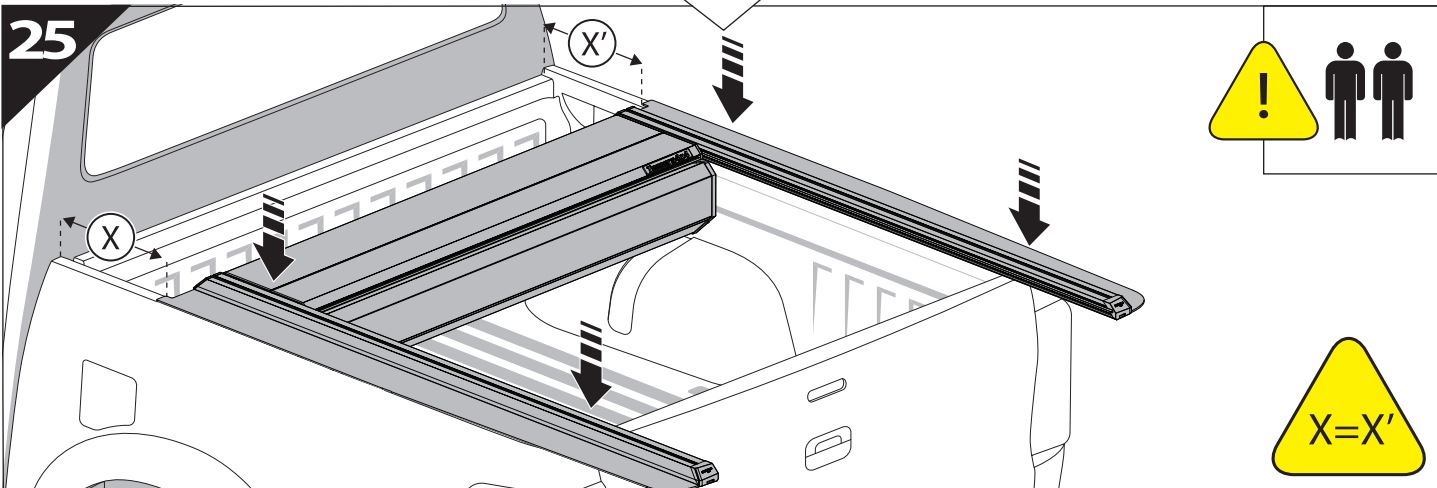
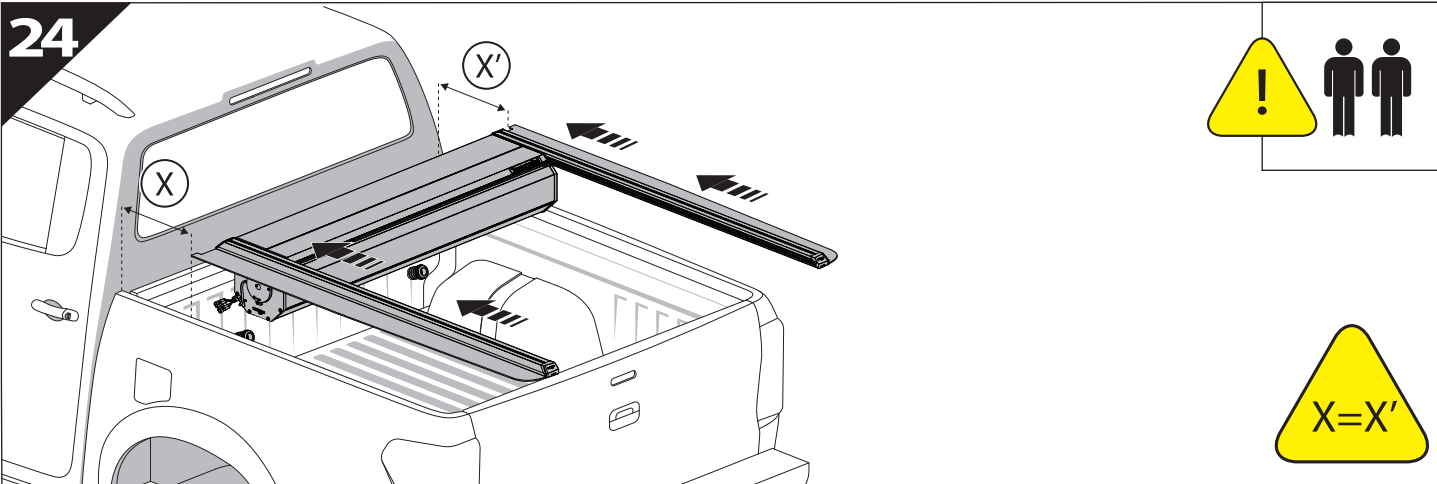


**CAUTION: CONSULT A CERTIFIED AUTO MECHANIC OR AUTOMOTIVE ELECTRICIAN TO IDENTIFY THE CORRECT WIRING CABLES FOR BEAM AND BRAKE SIGNALS BEFORE MAKING ANY CONNECTIONS.**

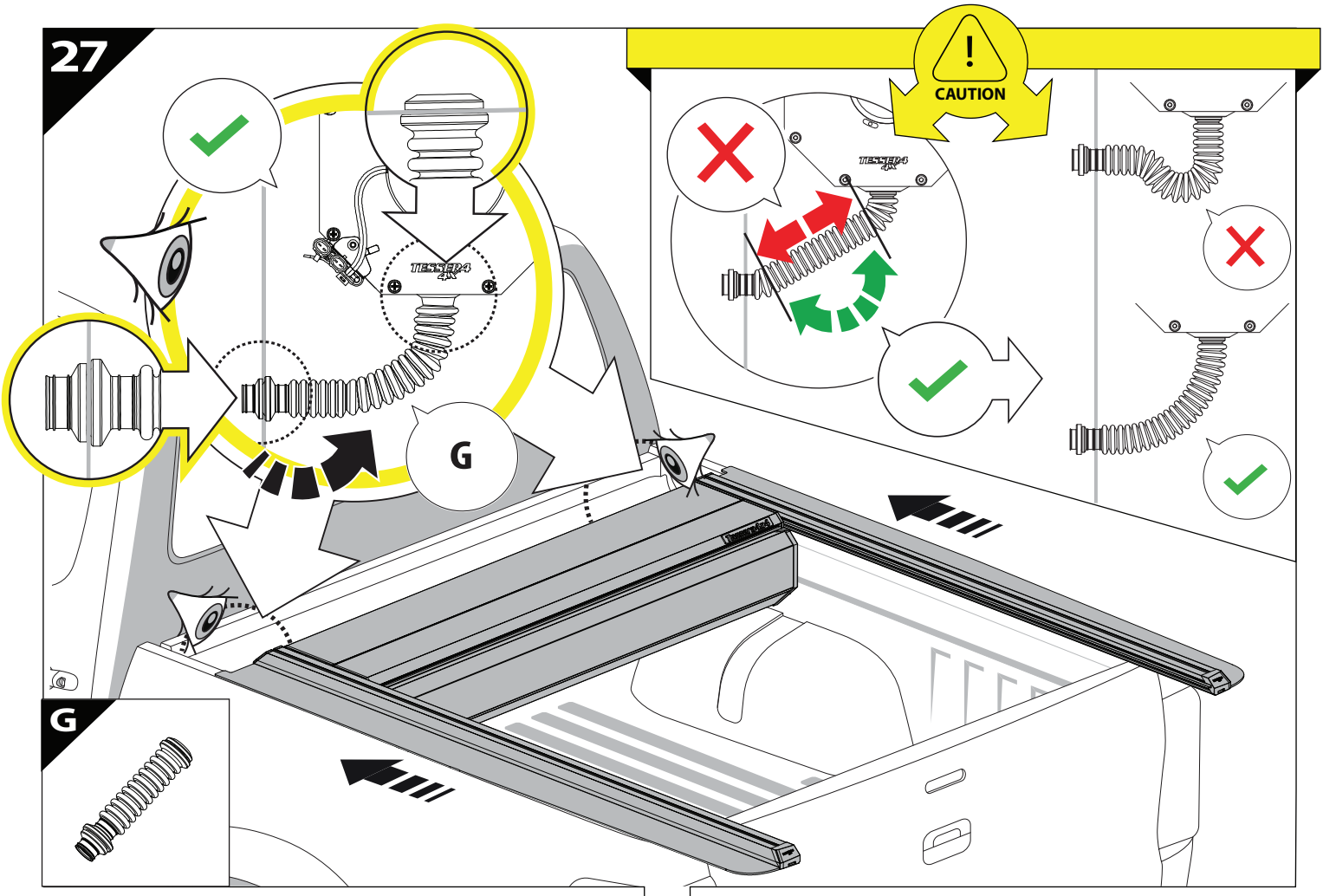
20



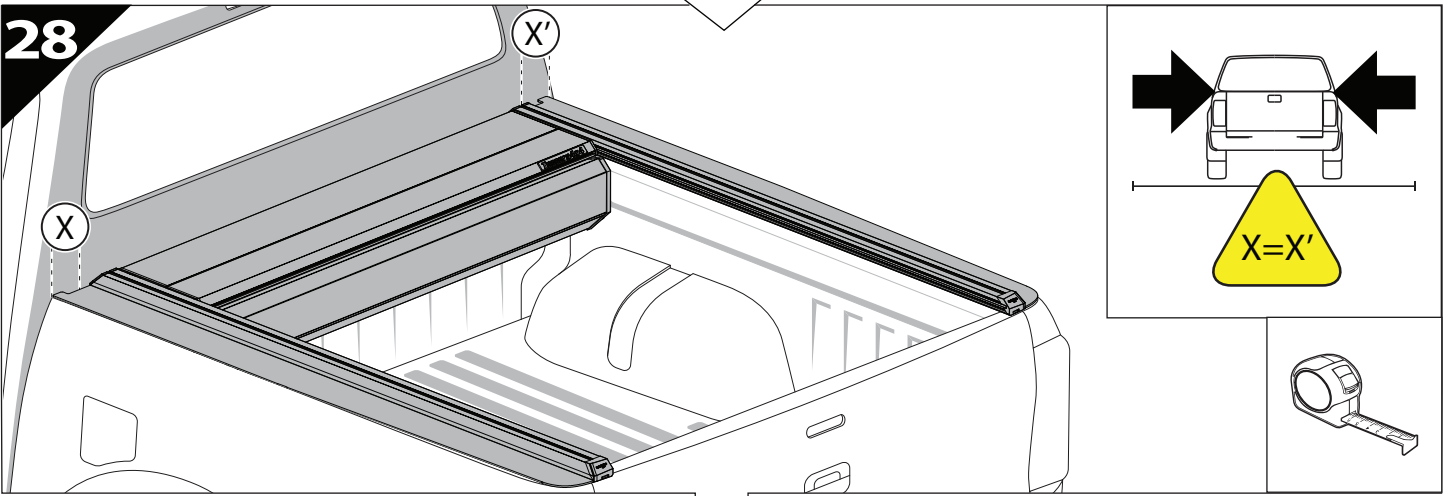




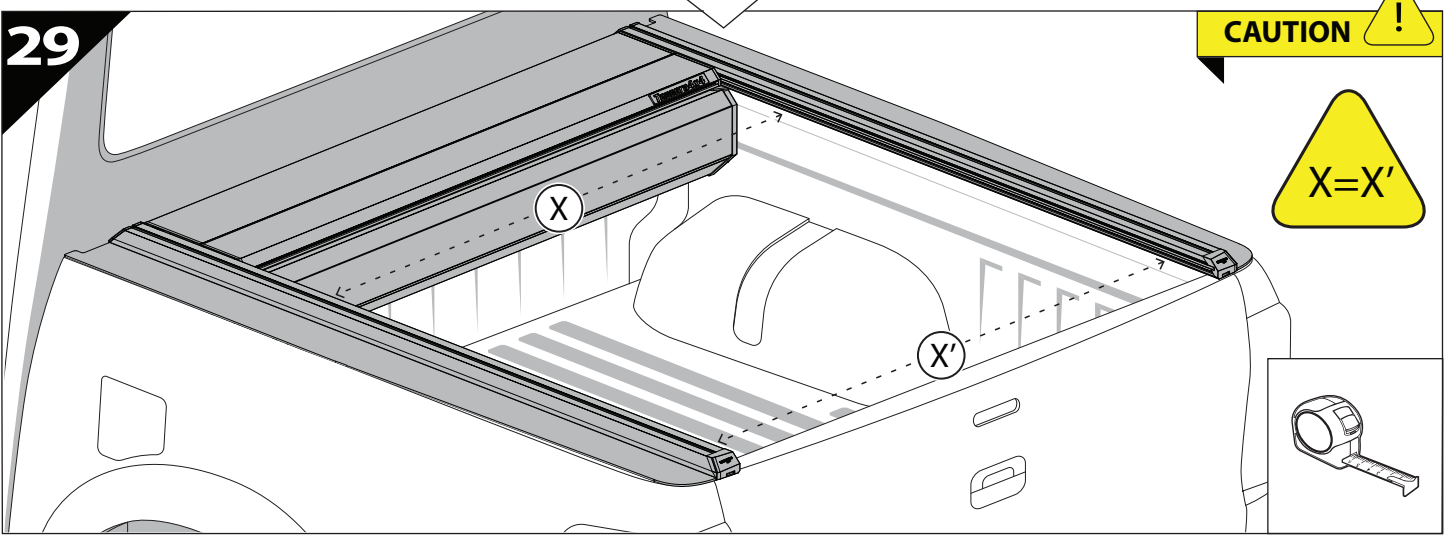
27



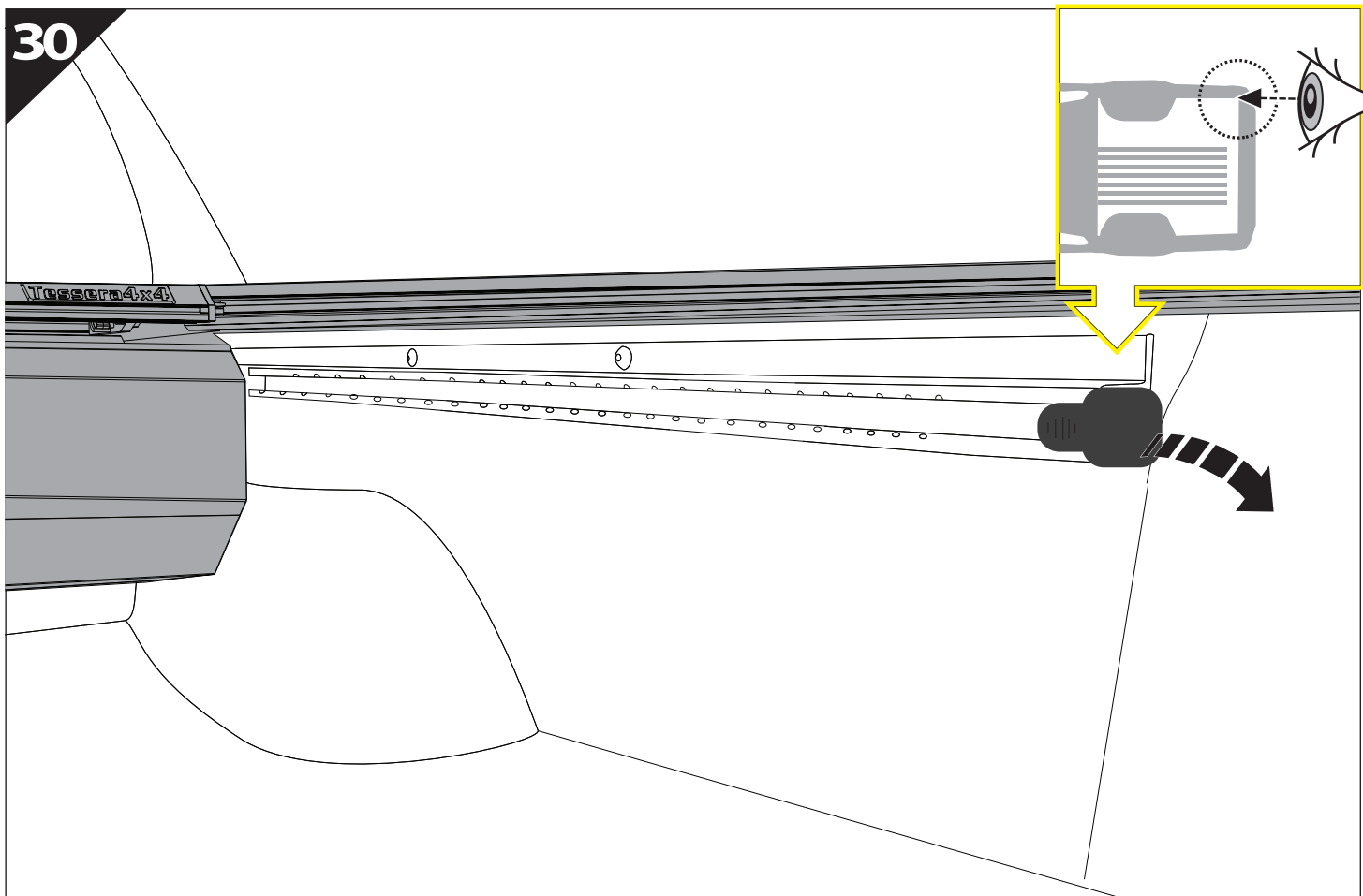
28



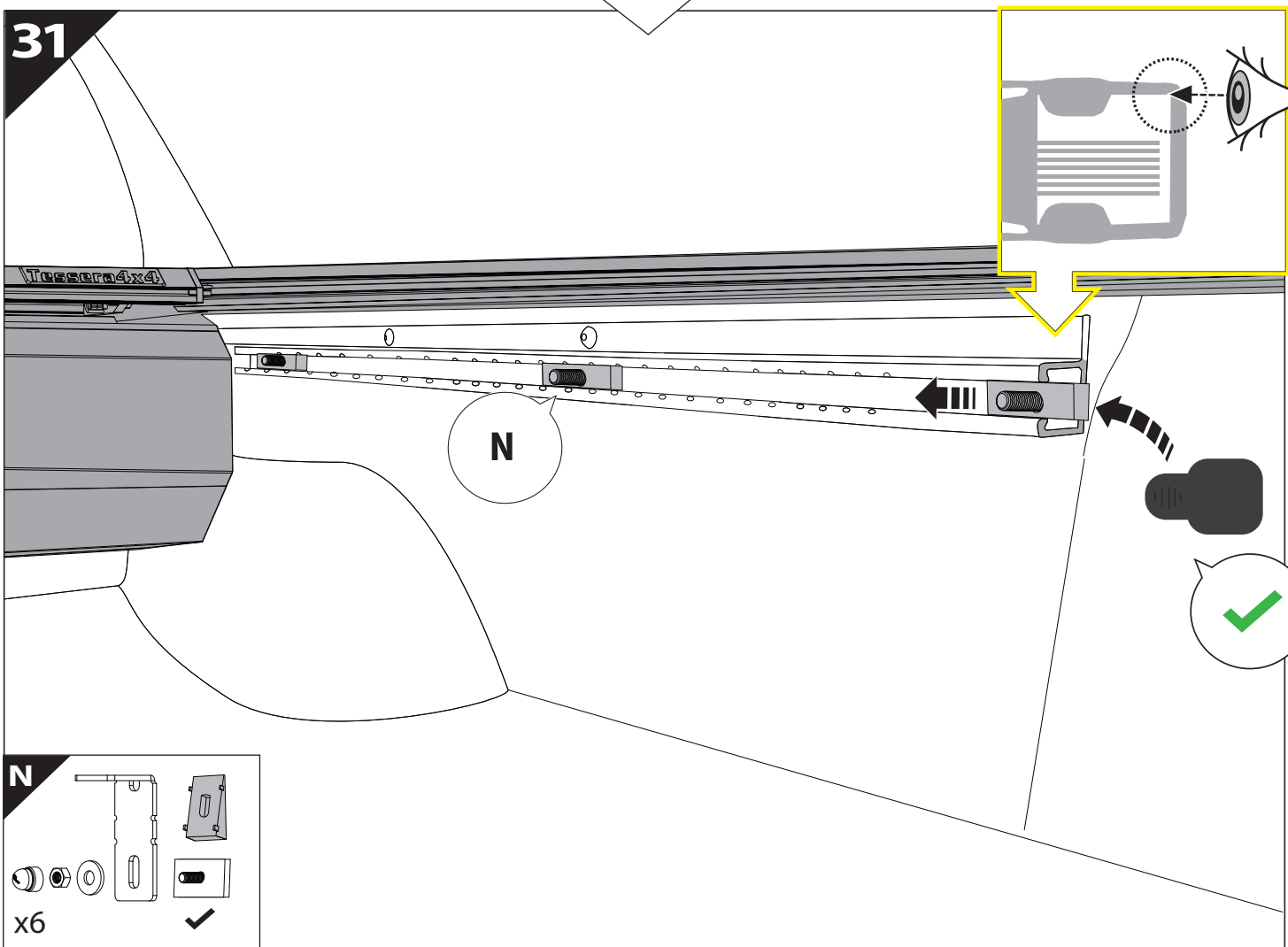
29



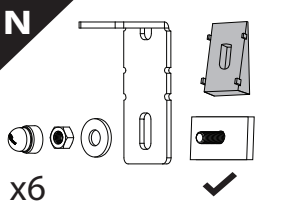
30



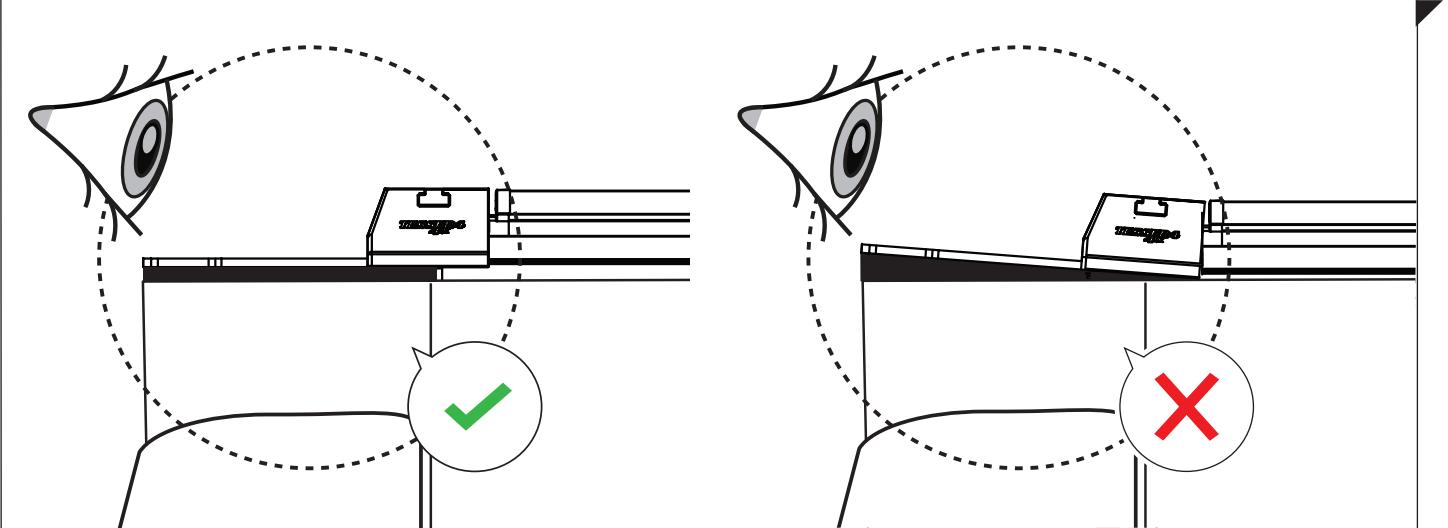
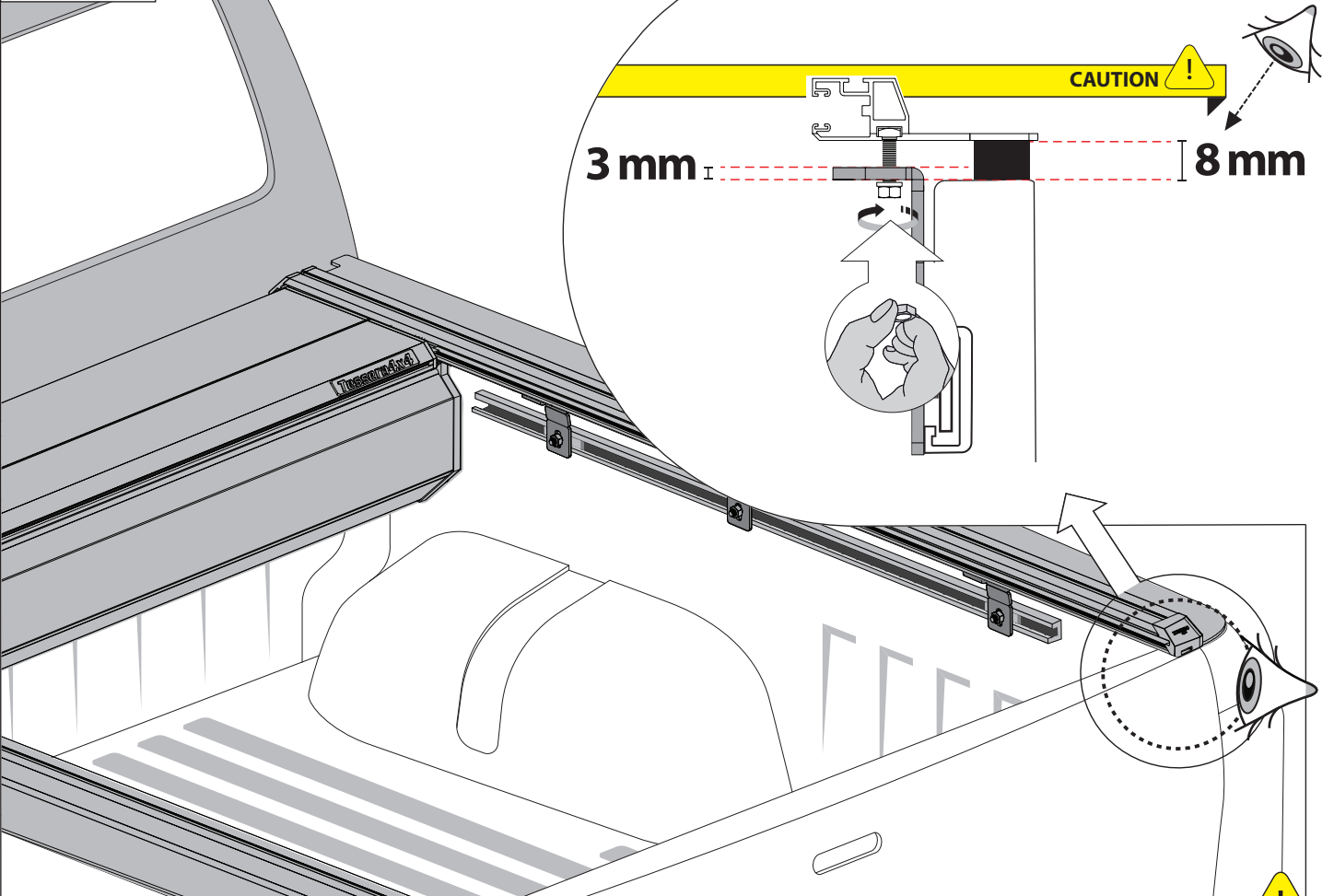
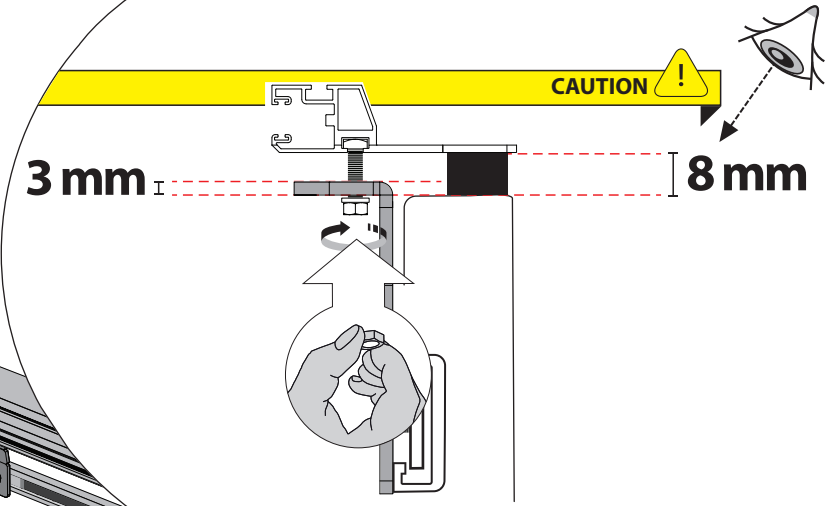
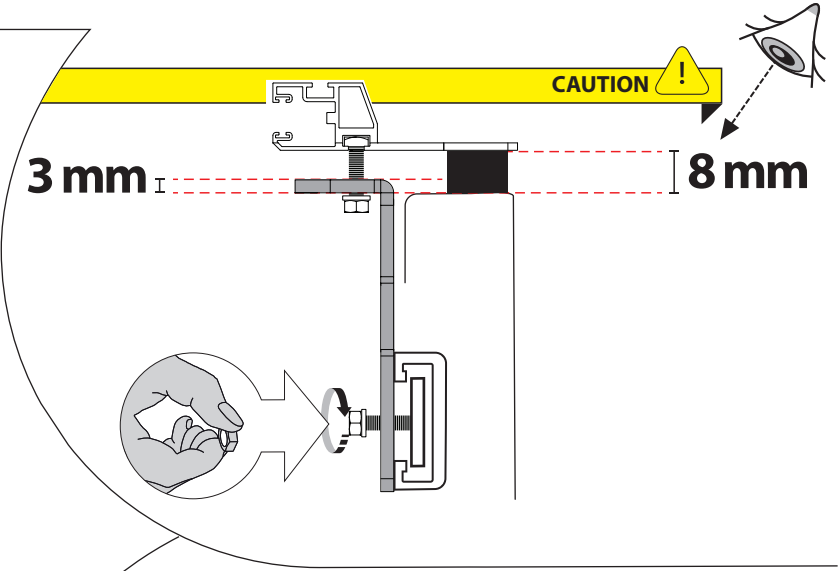
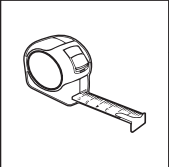
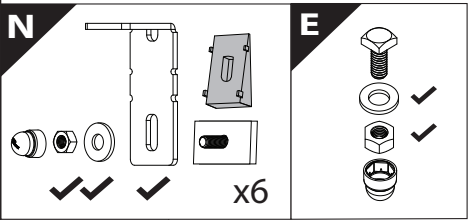
31

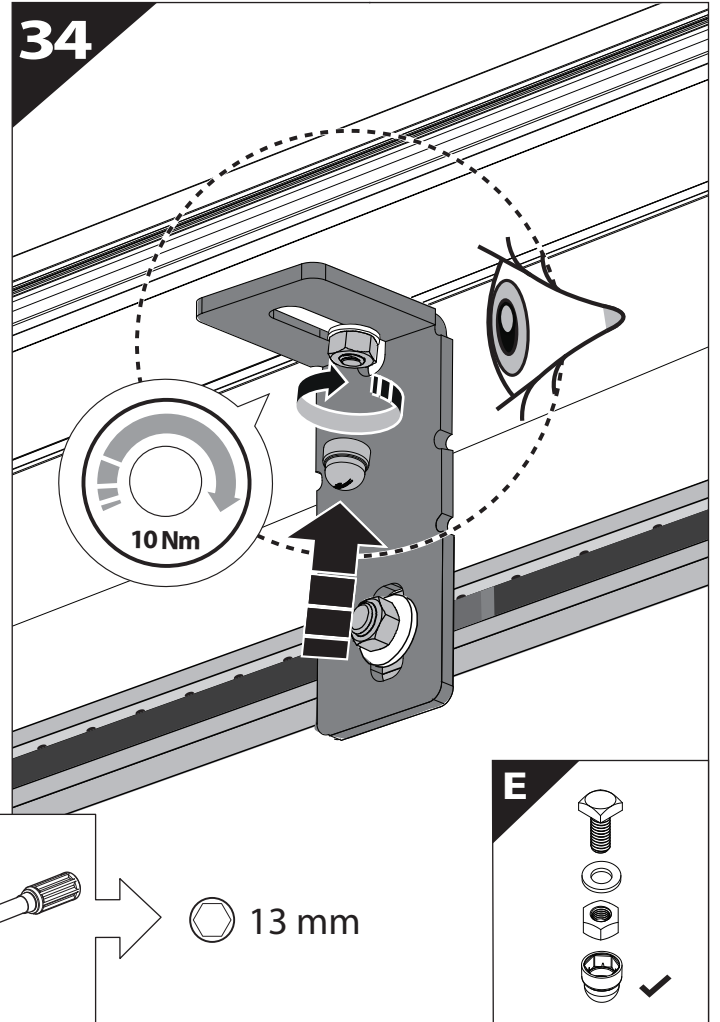
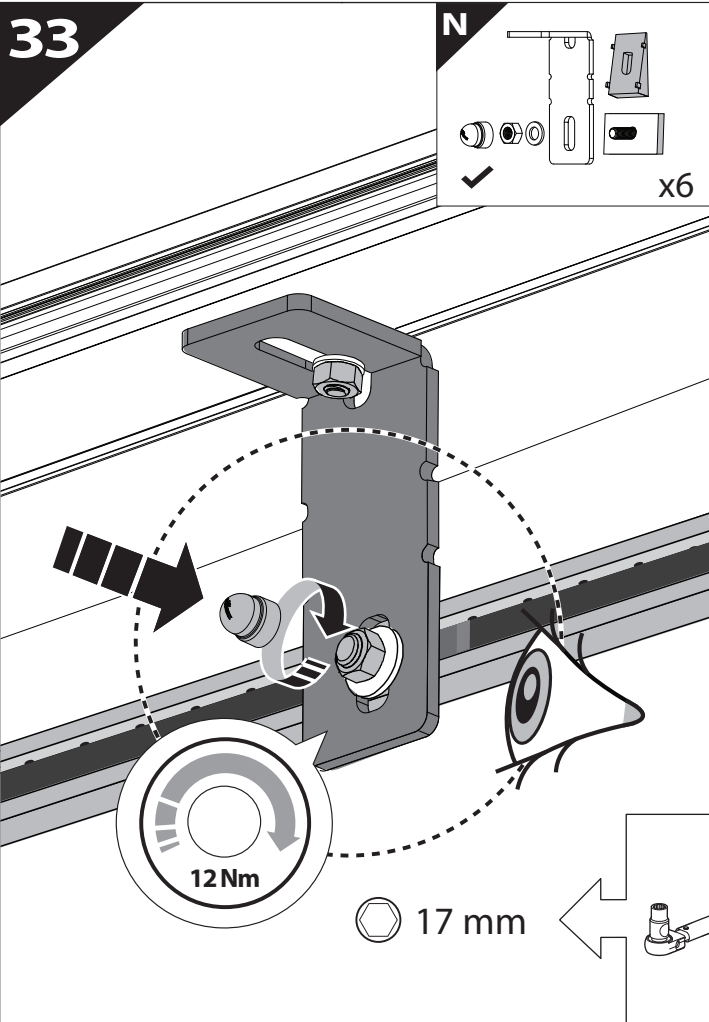


N

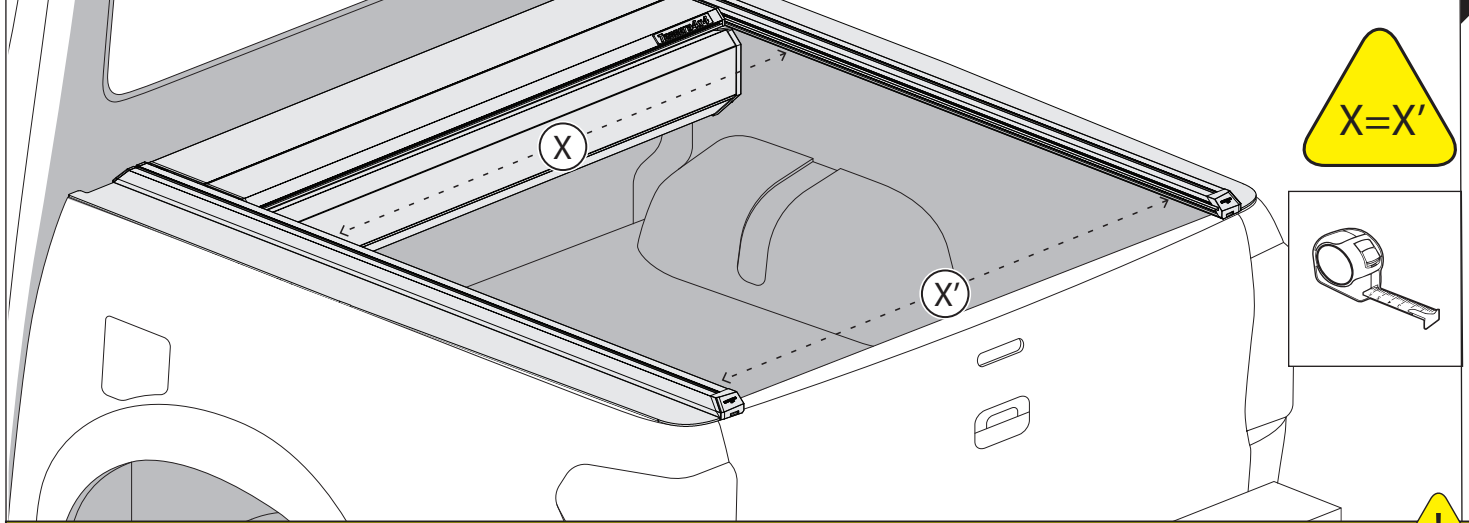


32

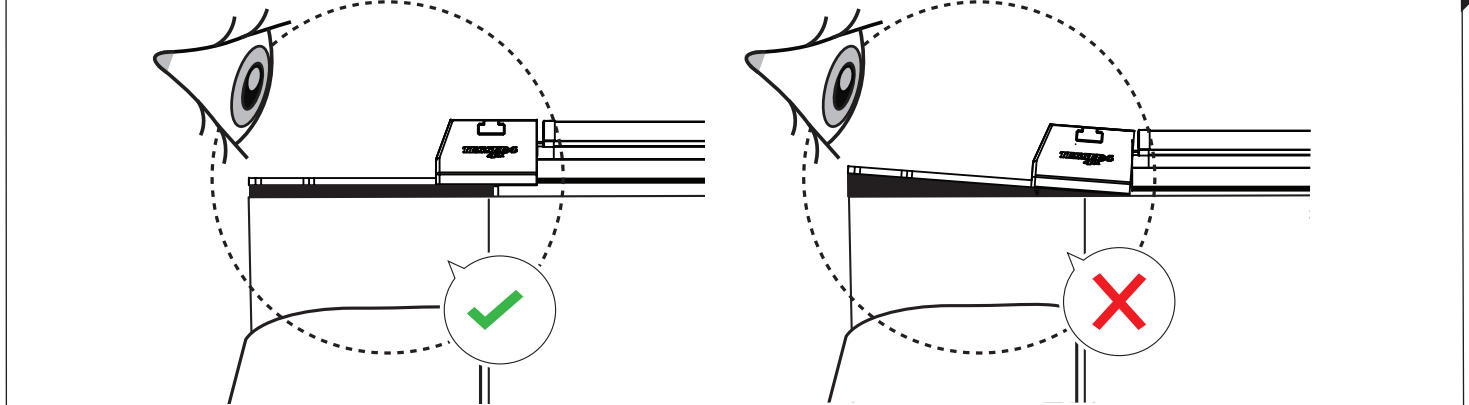


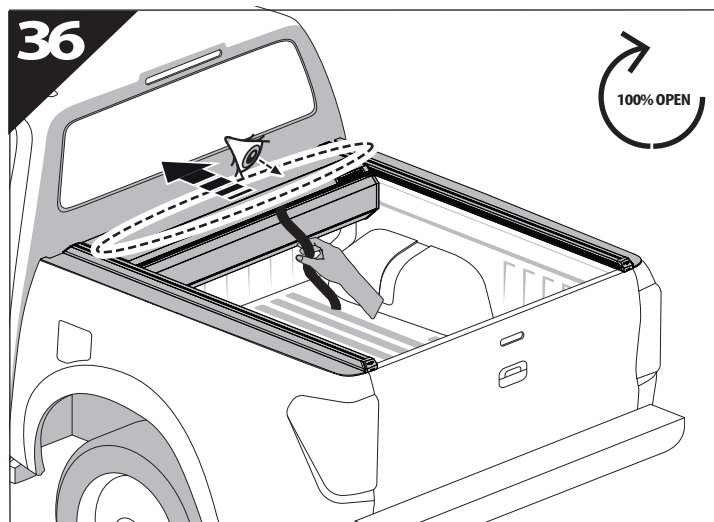
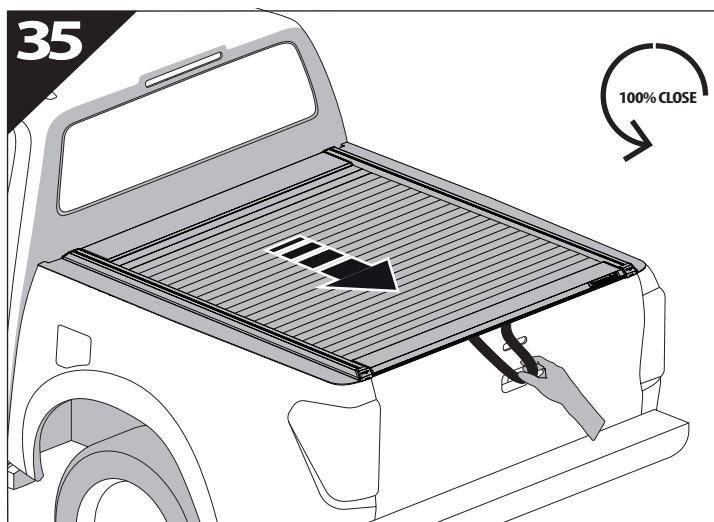


**CAUTION** !



**CAUTION** !





**GR:** Οδηγίες Εγκατάστασης  
**GB:** Installation manual  
**SF:** Asennusohje  
**F:** Notice de montage  
**PL:** Instrukcja montażu  
**NL:** Installatie-instructies  
**TR:** Montaj Talimatı  
**S:** Monteringsanvisning  
**E:** Instrucciones de montaje

**H:** Szerelési utasítás  
**P:** Instruções de instalação  
**RUS:** Инструкция по установке  
**N:** Monteringsveiledning  
**D:** Einbauanleitung  
**CZ:** Návod k instalaci  
**I:** Istruzioni de montaggio  
**DK:** Monteringsvejledning  
**RO:** Instructiuni de instalare

Customer Service:

+30 (210) 5541161, +30 (210) 5541154 (08:00 - 16:00 EET)

Support department:

info@gianso.gr

Website:

www.tessera4x4.com

Address:

19.5 km of National road Athens-Korinthos (Elefsina) Greece, P.C: 19200