

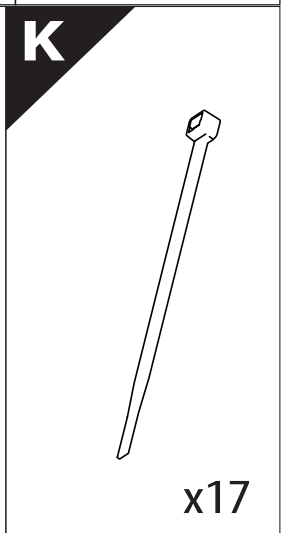
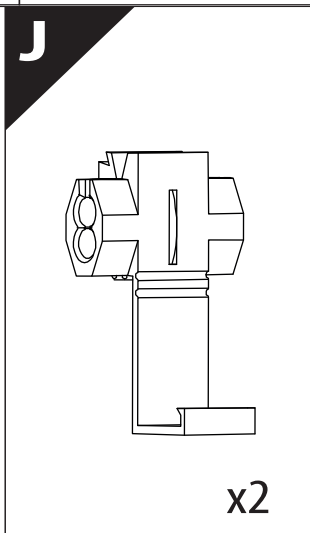
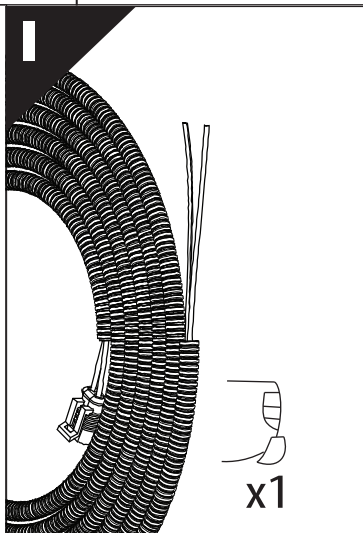
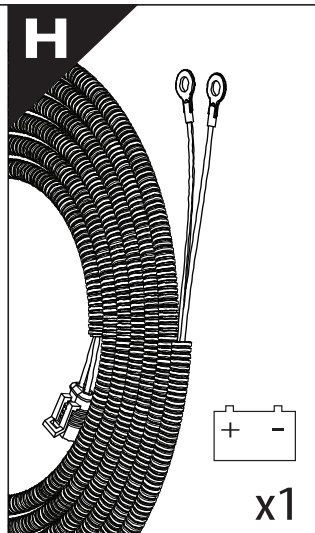
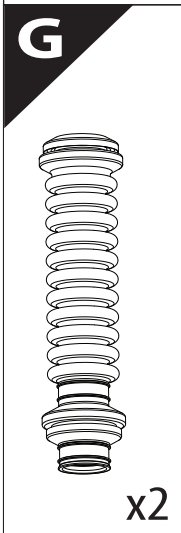
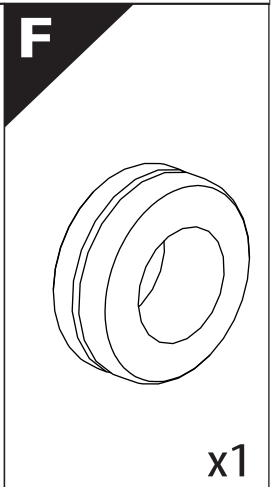
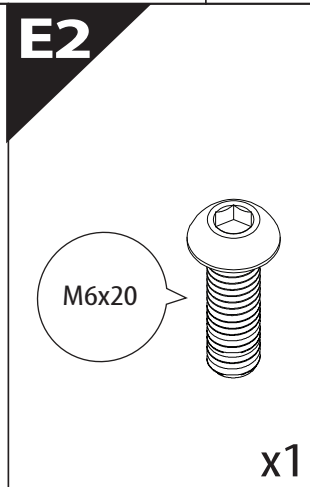
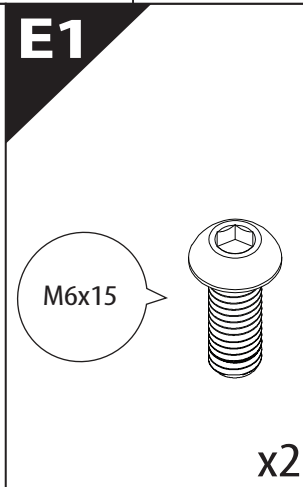
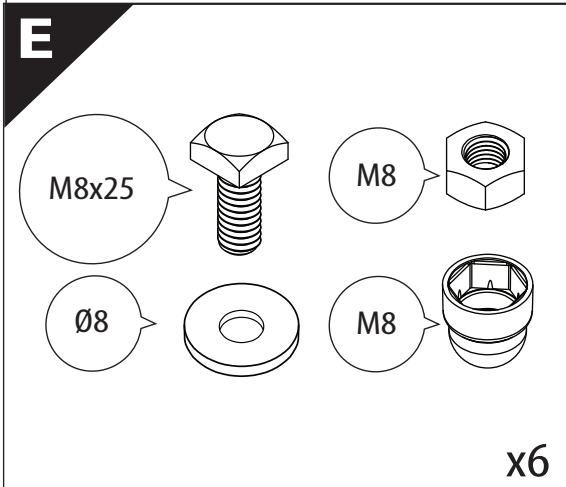
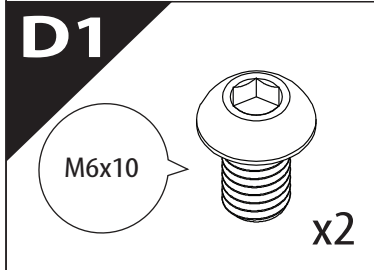
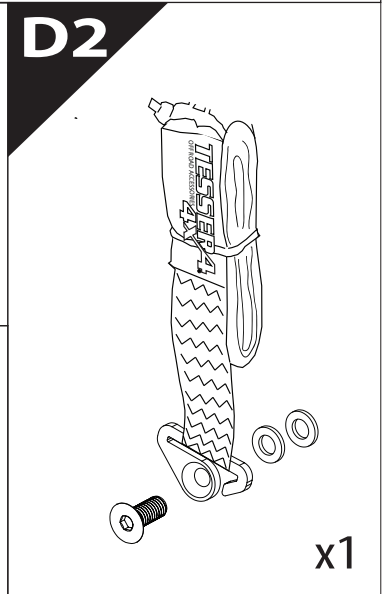
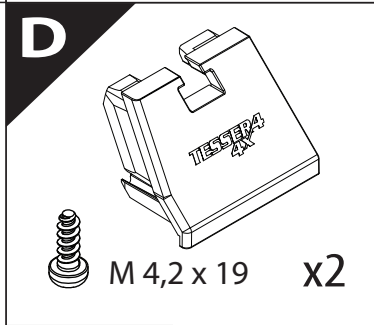
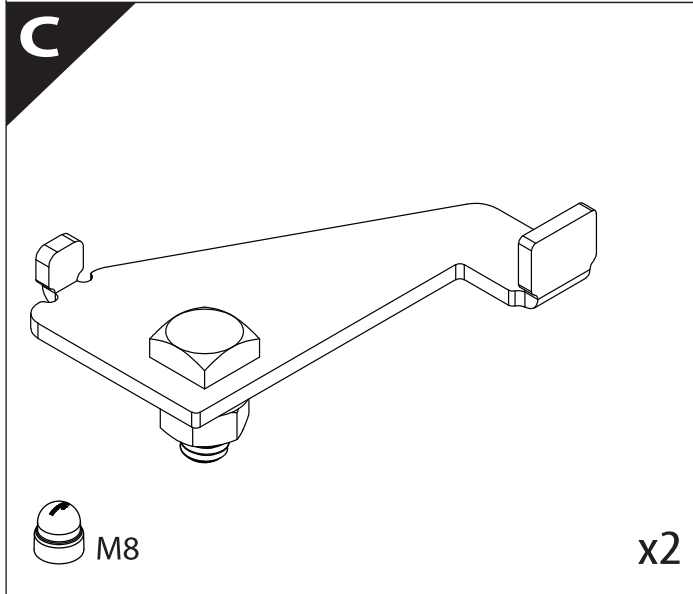
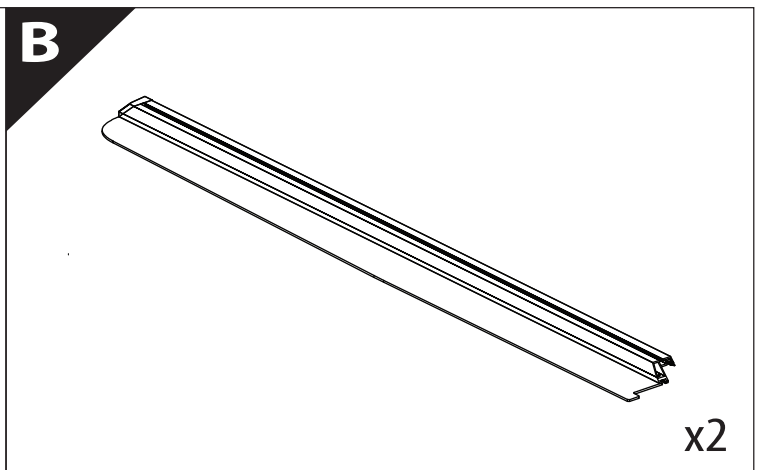
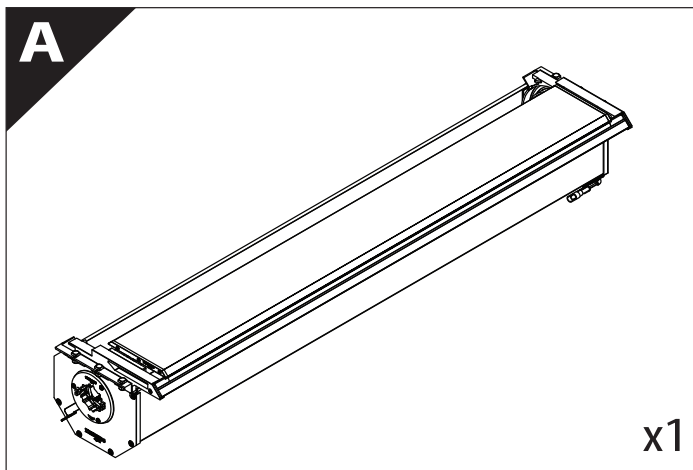
Tessera Roll+

Basic Version + ⚡ E-KIT

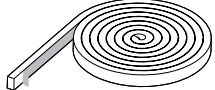


Installation Manual

PART NUMBER(S)	Model Year
TESS 1431 ROLL+E-KIT	Toyota Tundra 2014 ->2021 & 2022+ (with c - channels)
TESS 14311 ROLL+EKIT	
Cab(s)	Installation Time / Weight
5.5 Feet & 6.5 Feet	40-60 minutes / 53-57 kg

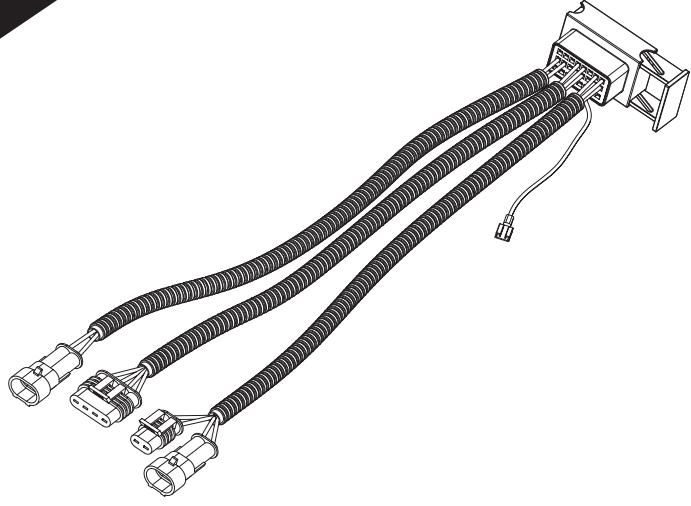


L1 x1



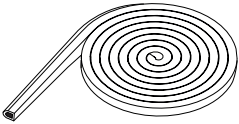
1.5 x 0.8 x 400cm

M2



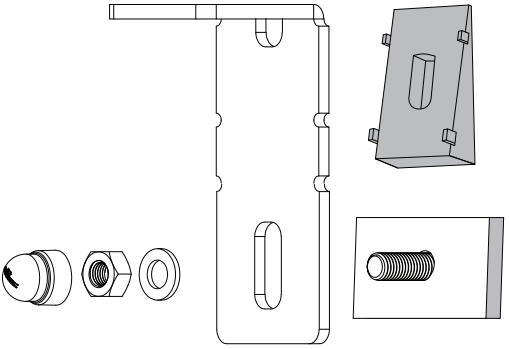
x1

L2 x1



180 cm

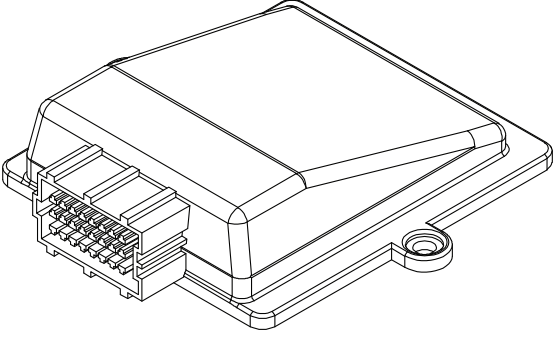
N



M10

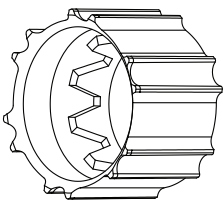
x6

O



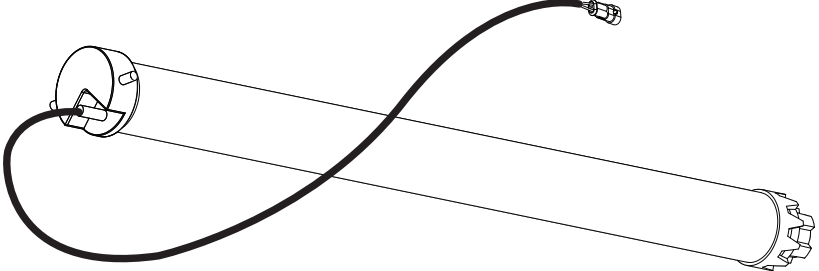
x1

P



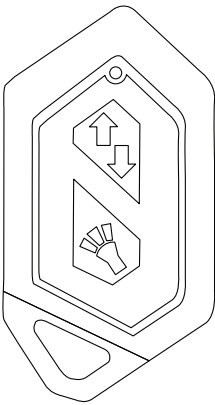
x1

Q



x1

R

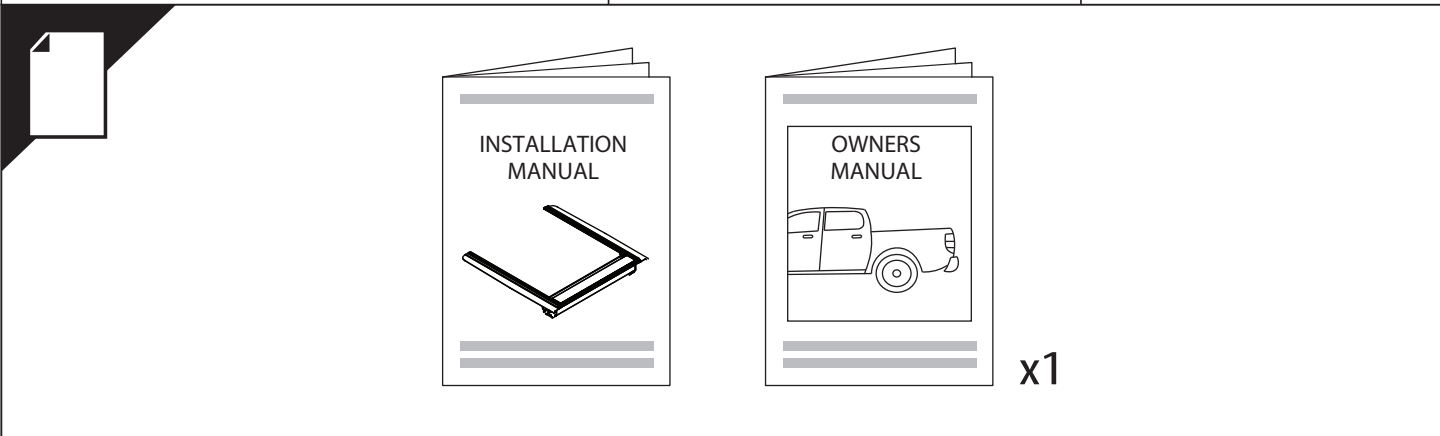
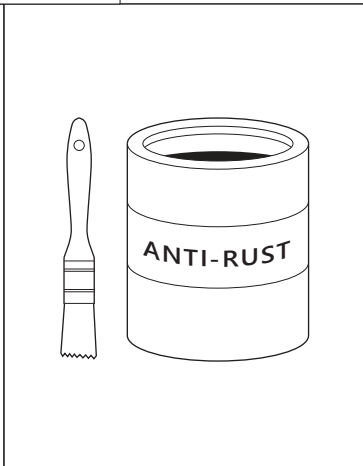
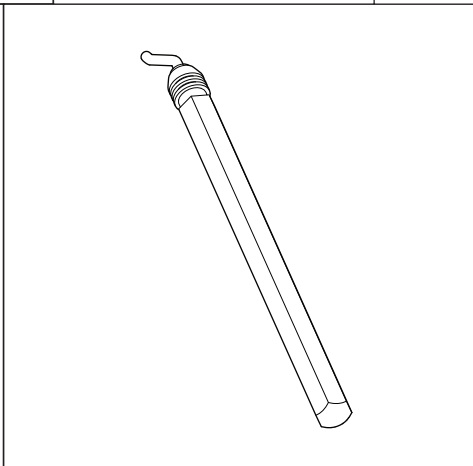
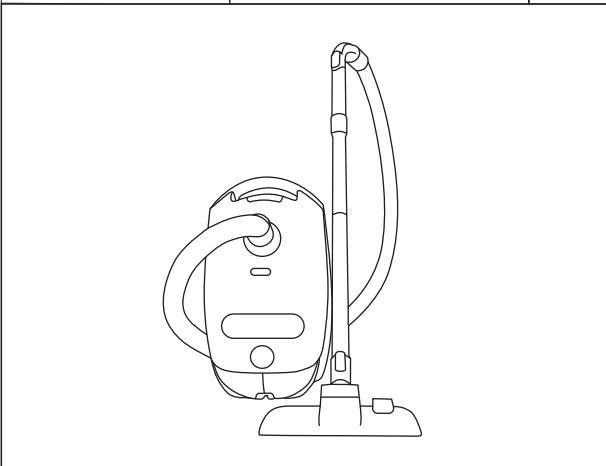
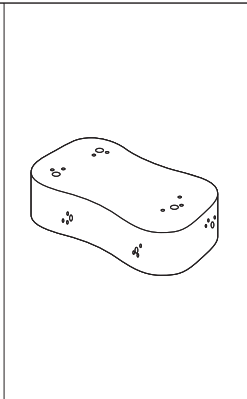
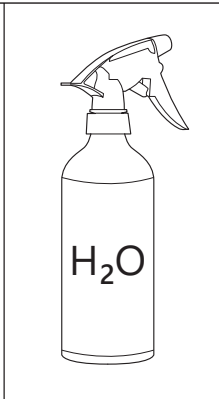
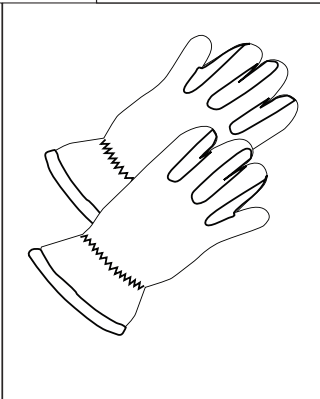
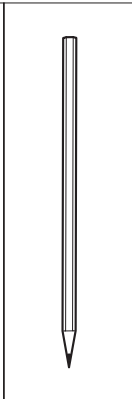
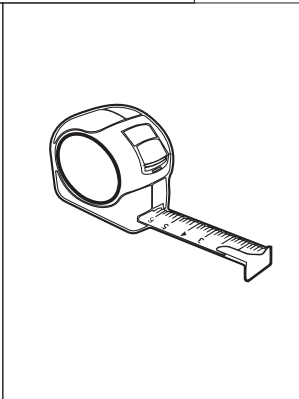
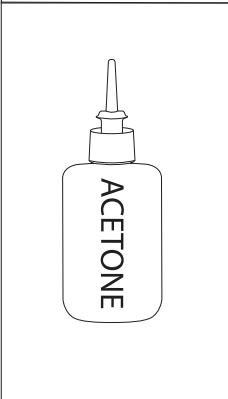
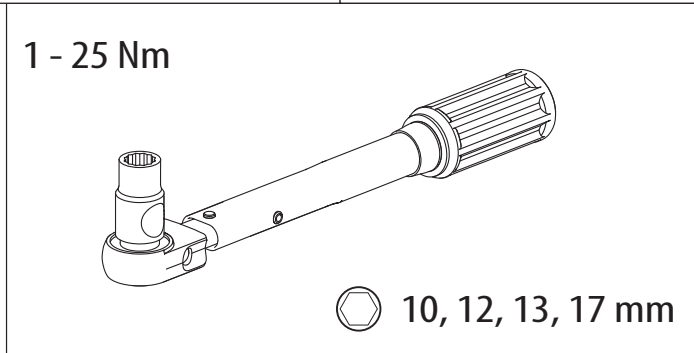
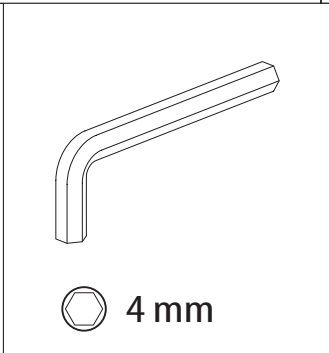
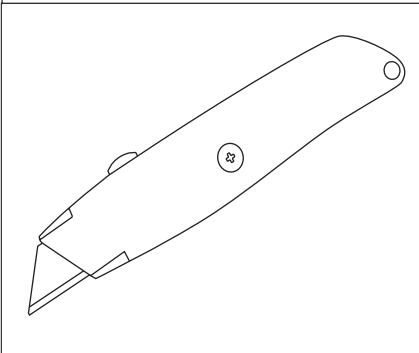
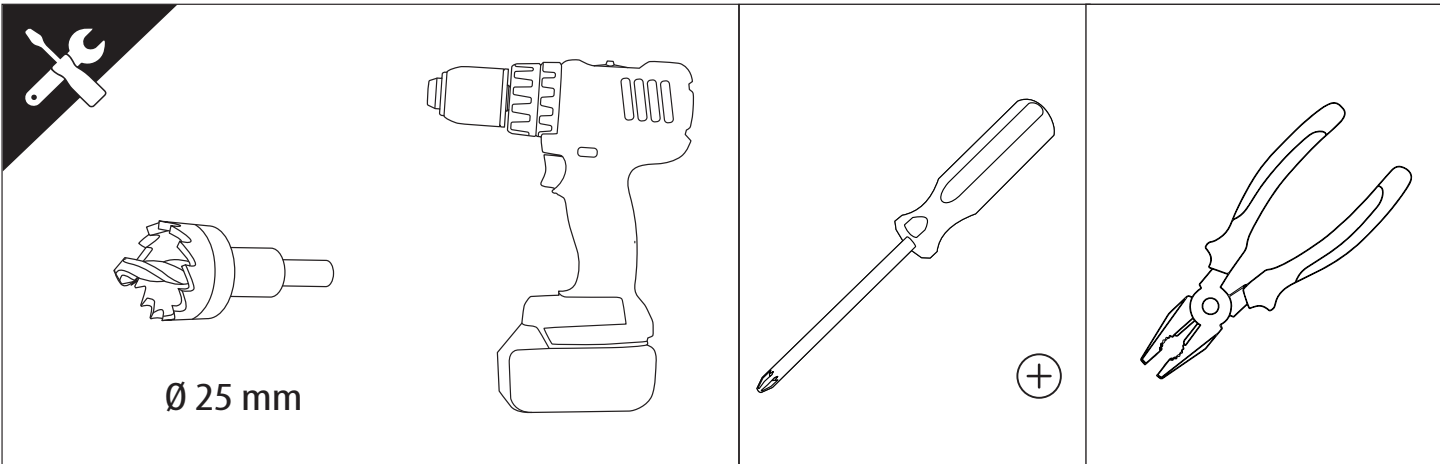


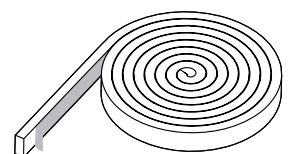
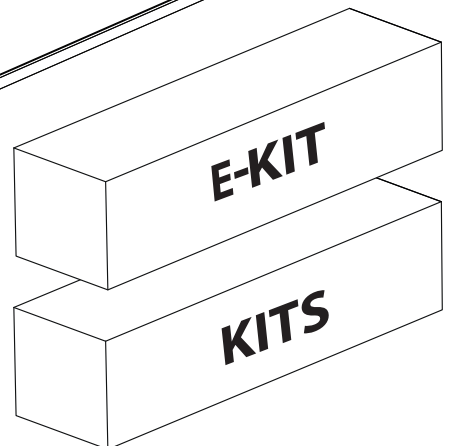
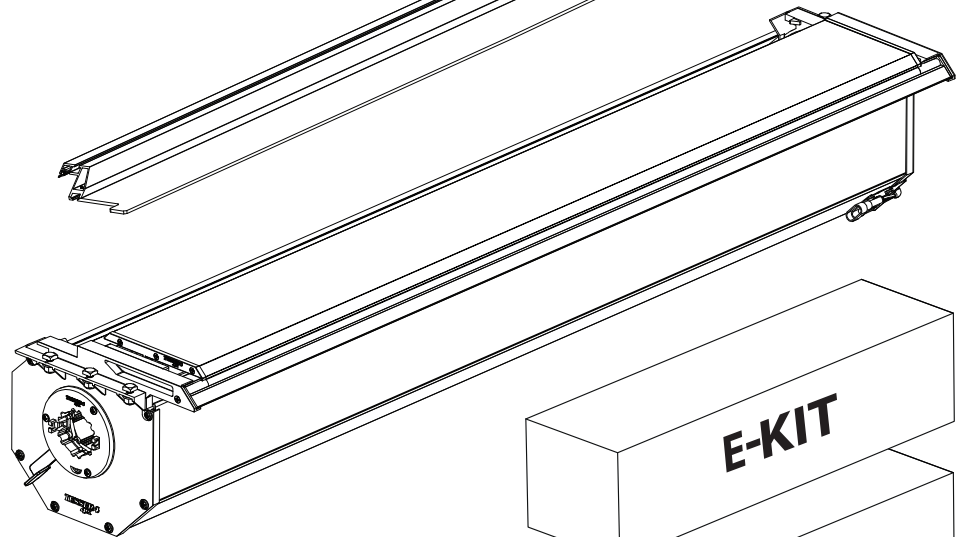
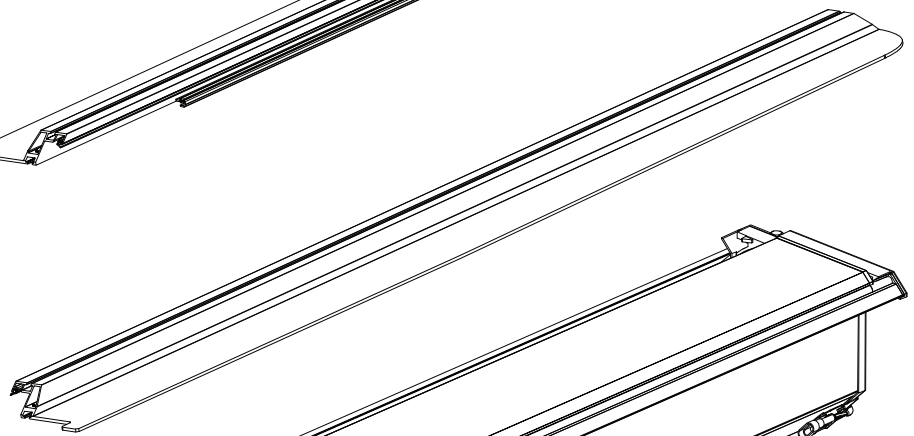
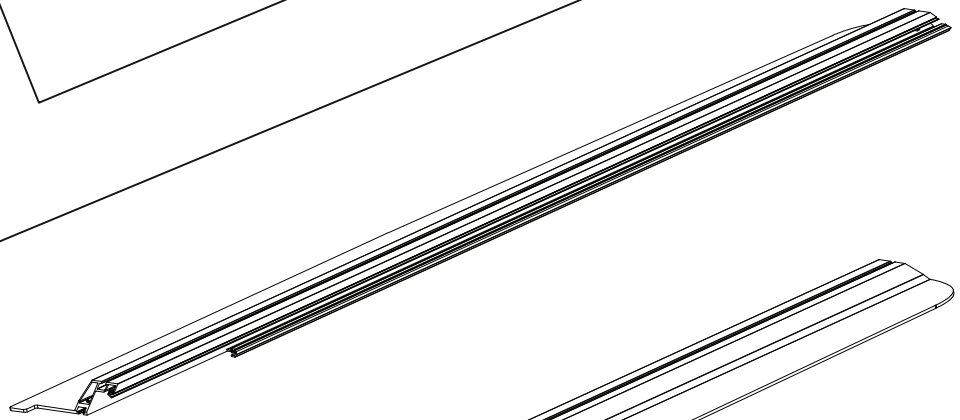
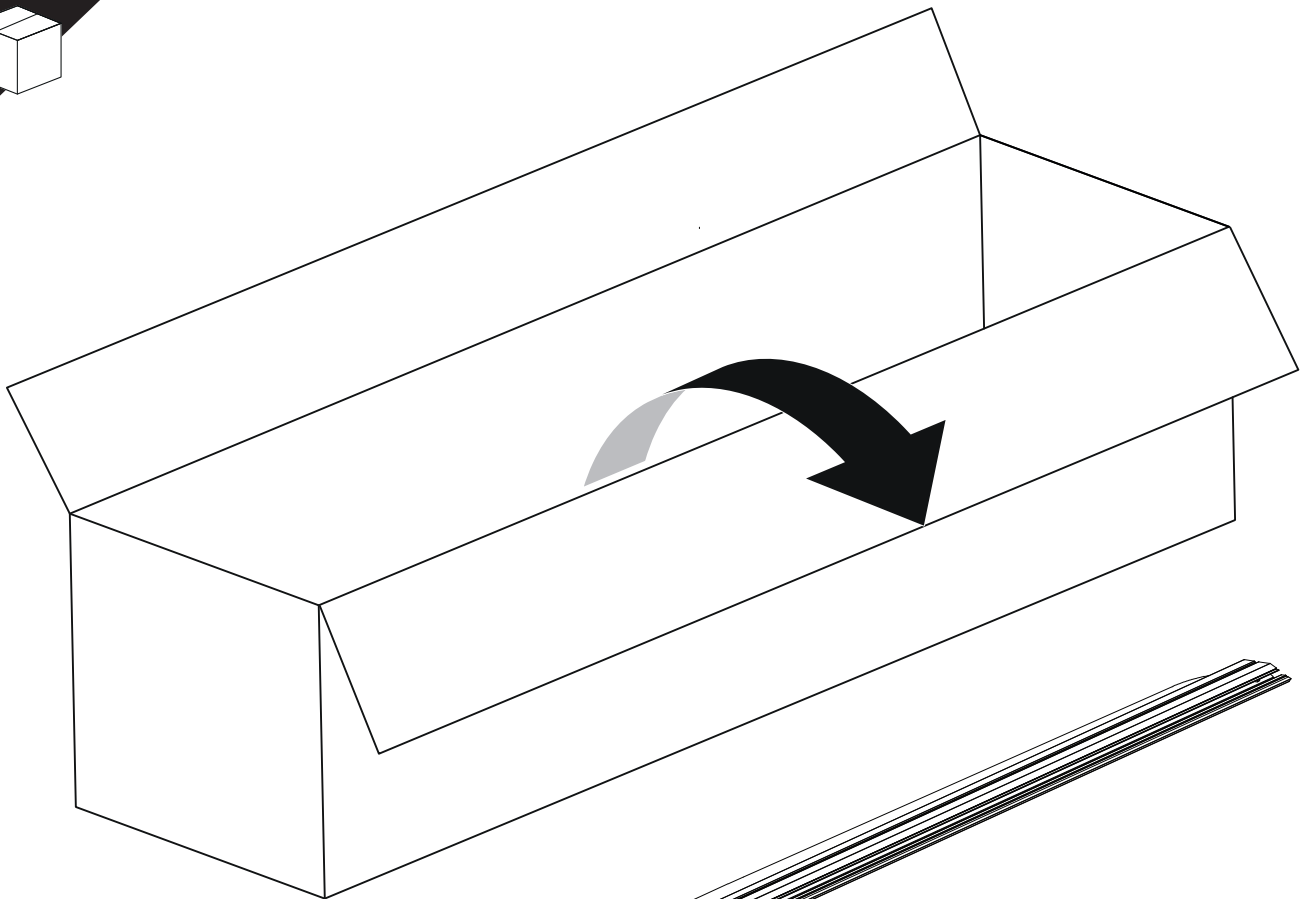
x2

S



x2



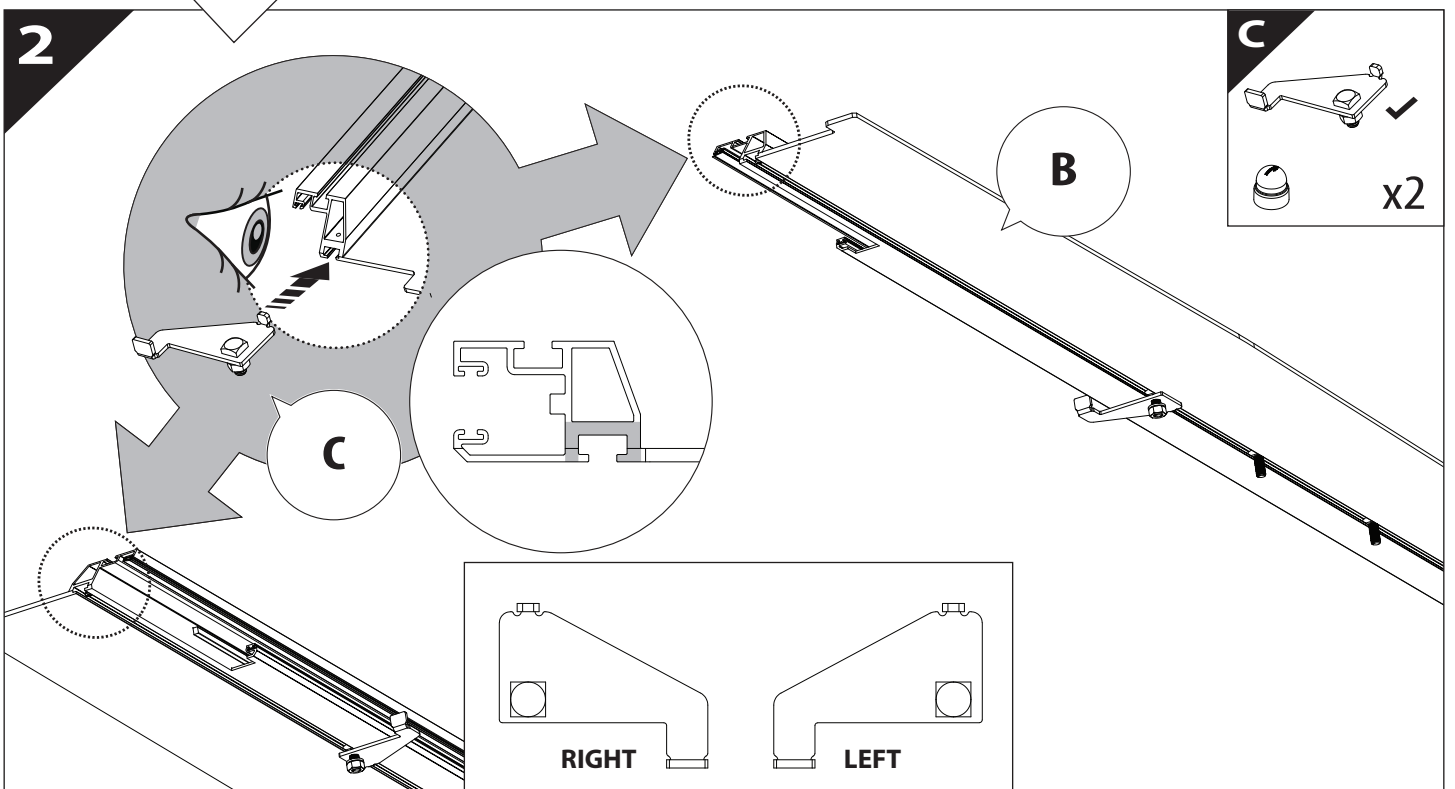
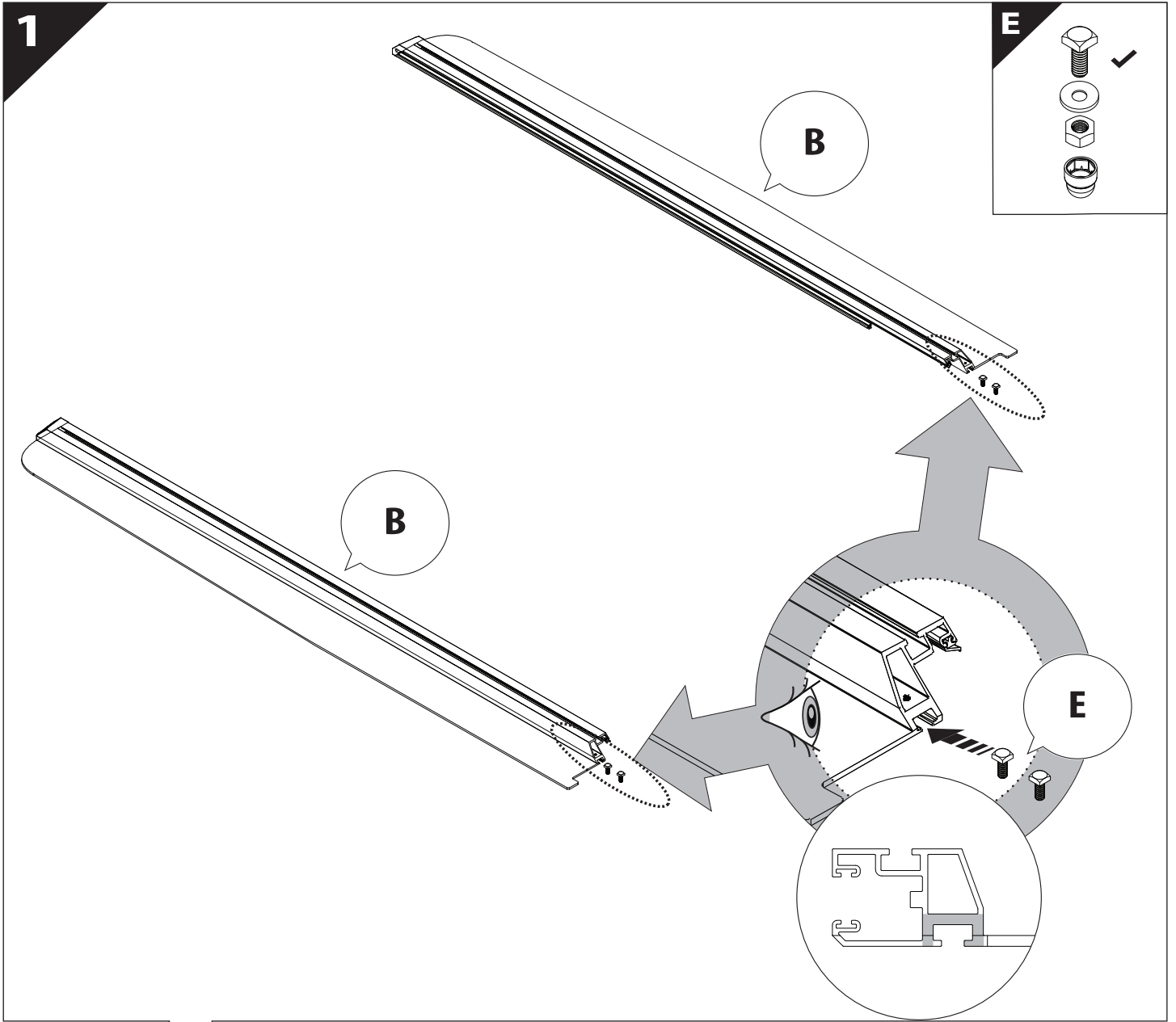


B

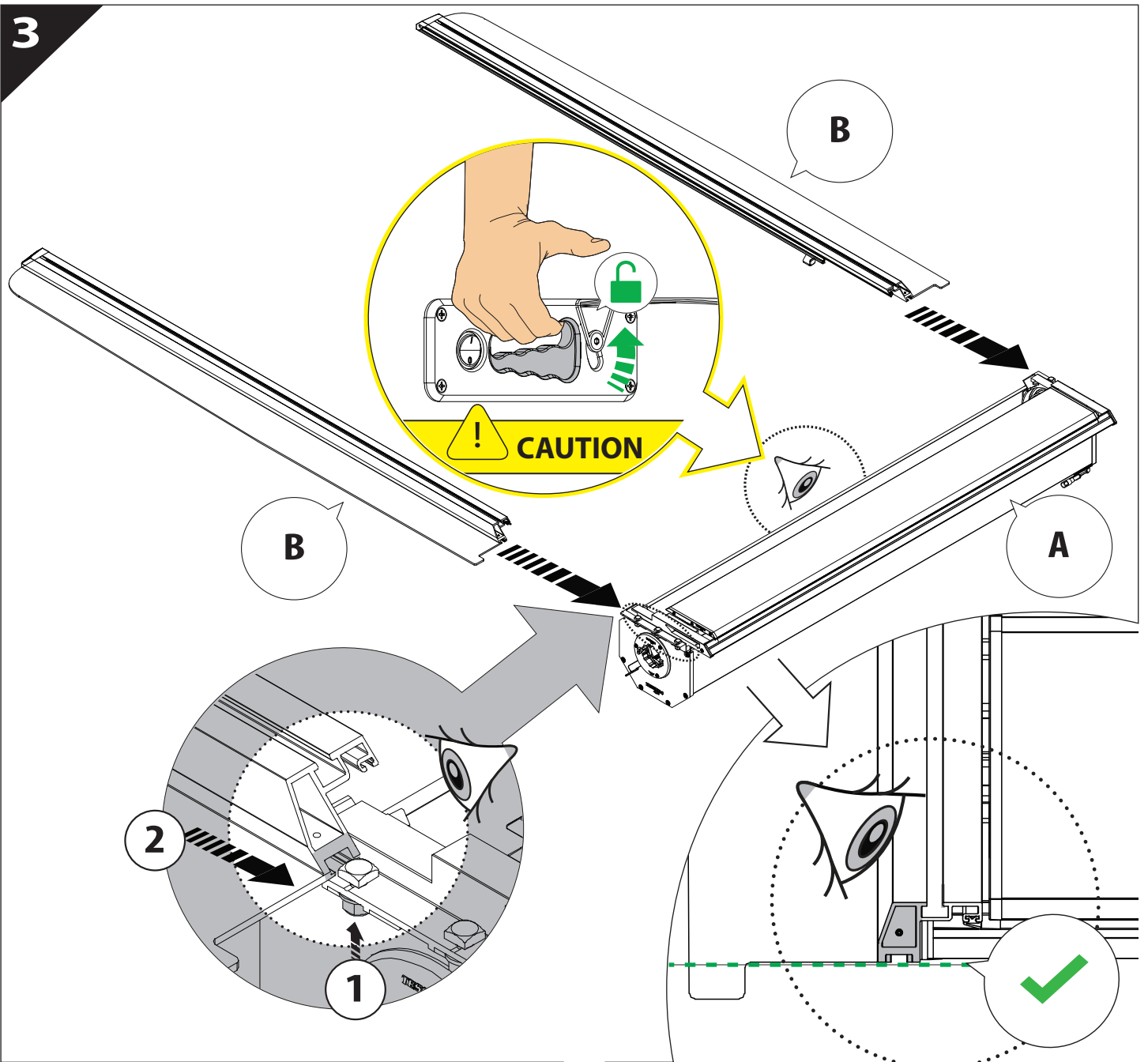
A

KITS

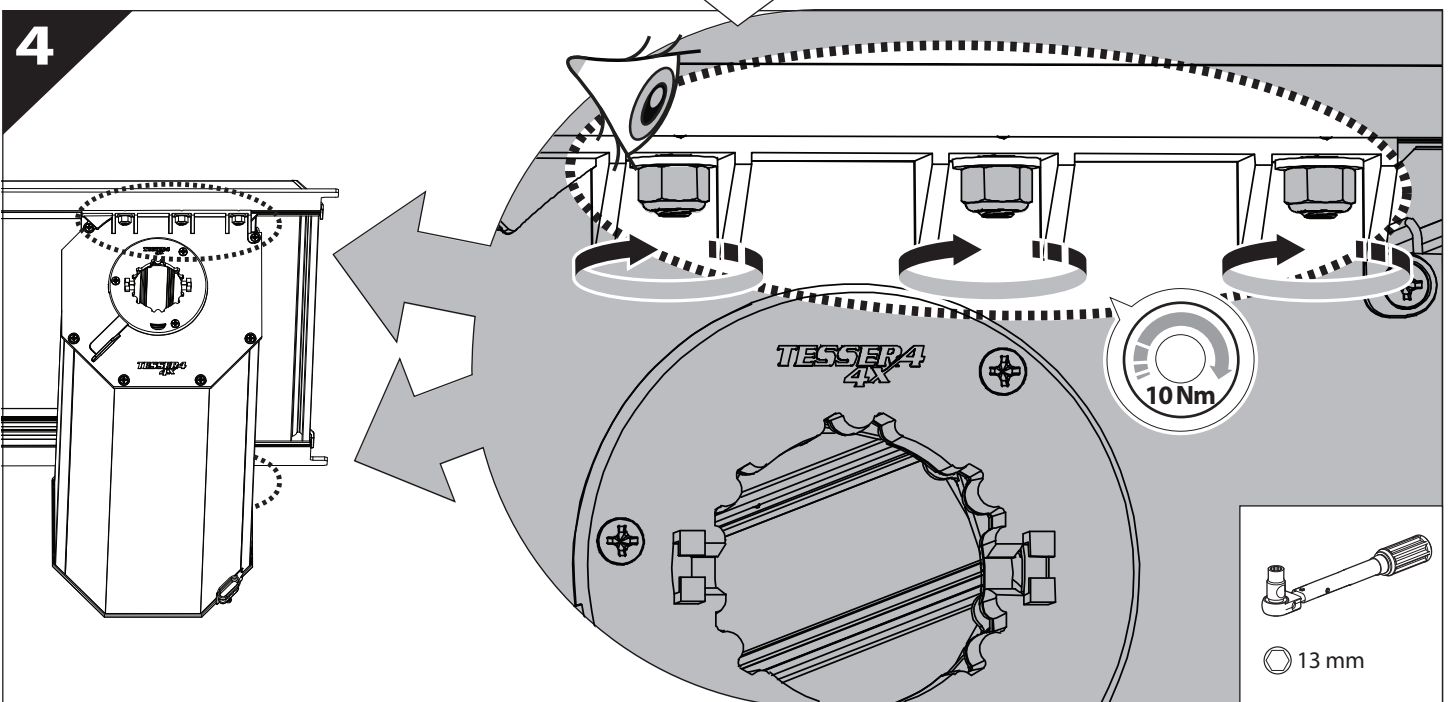
L

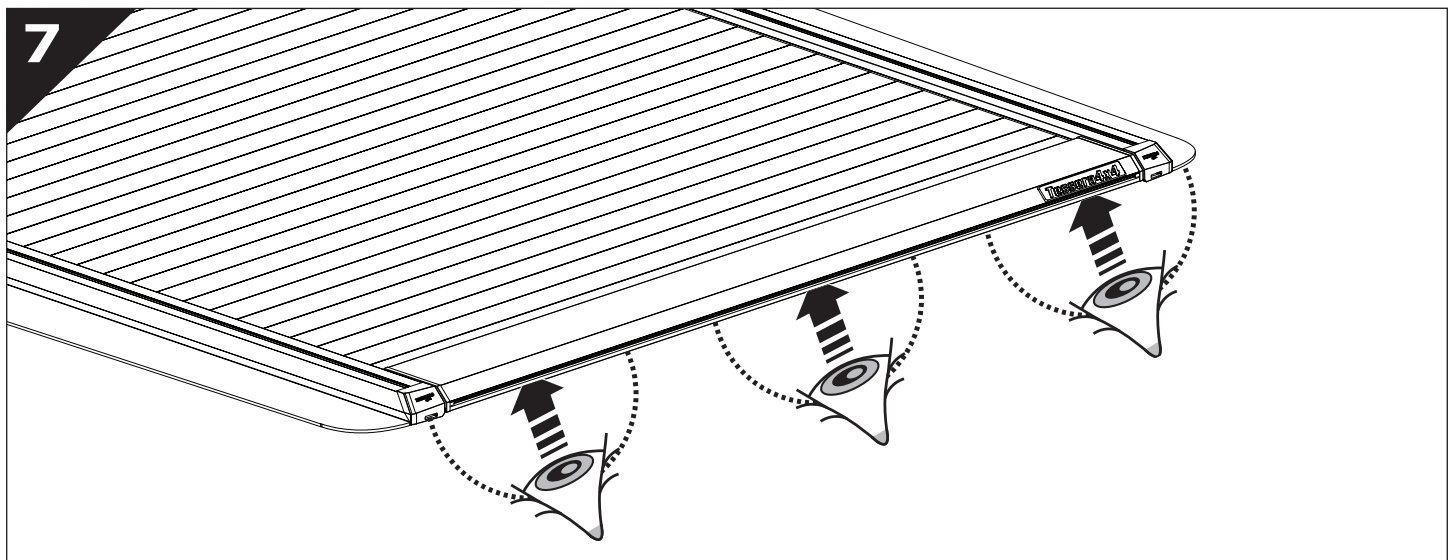
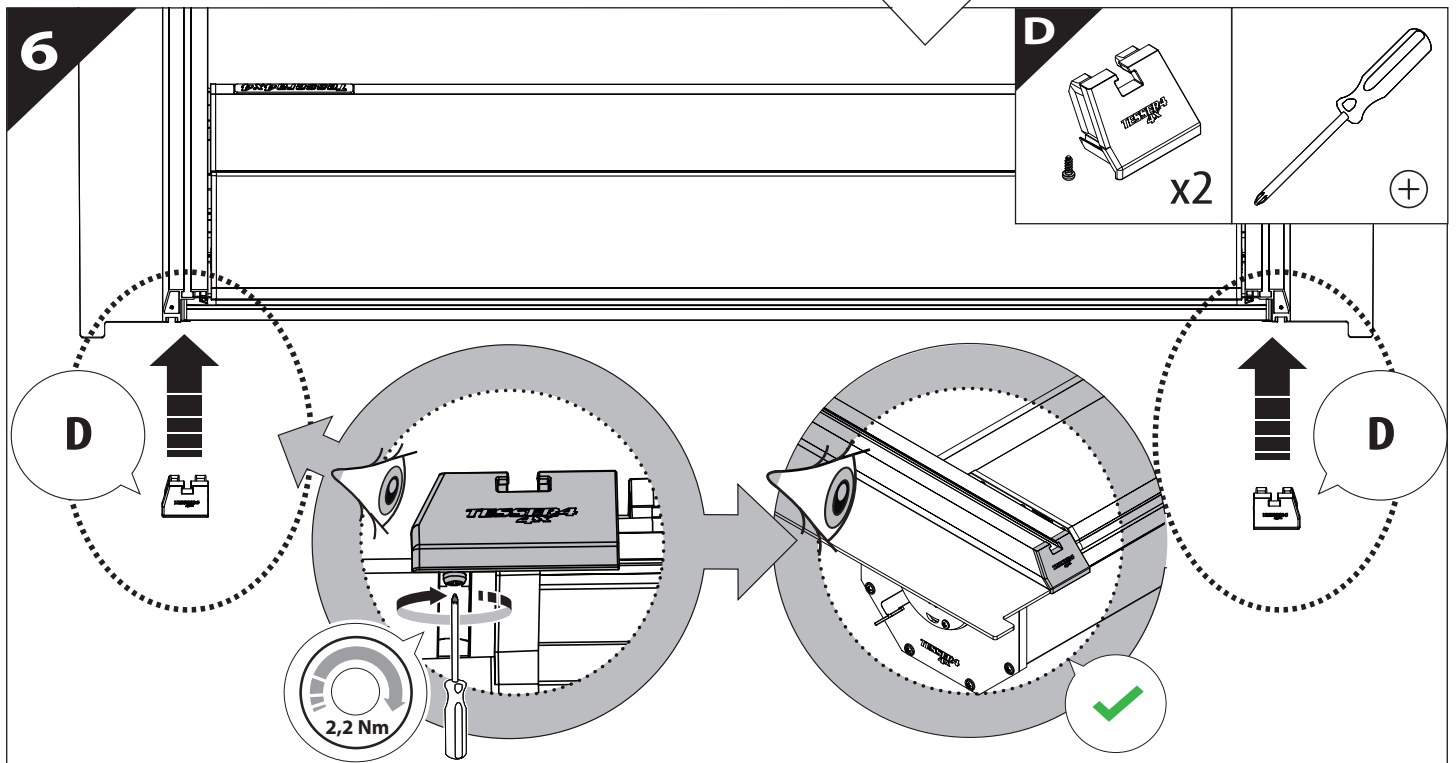
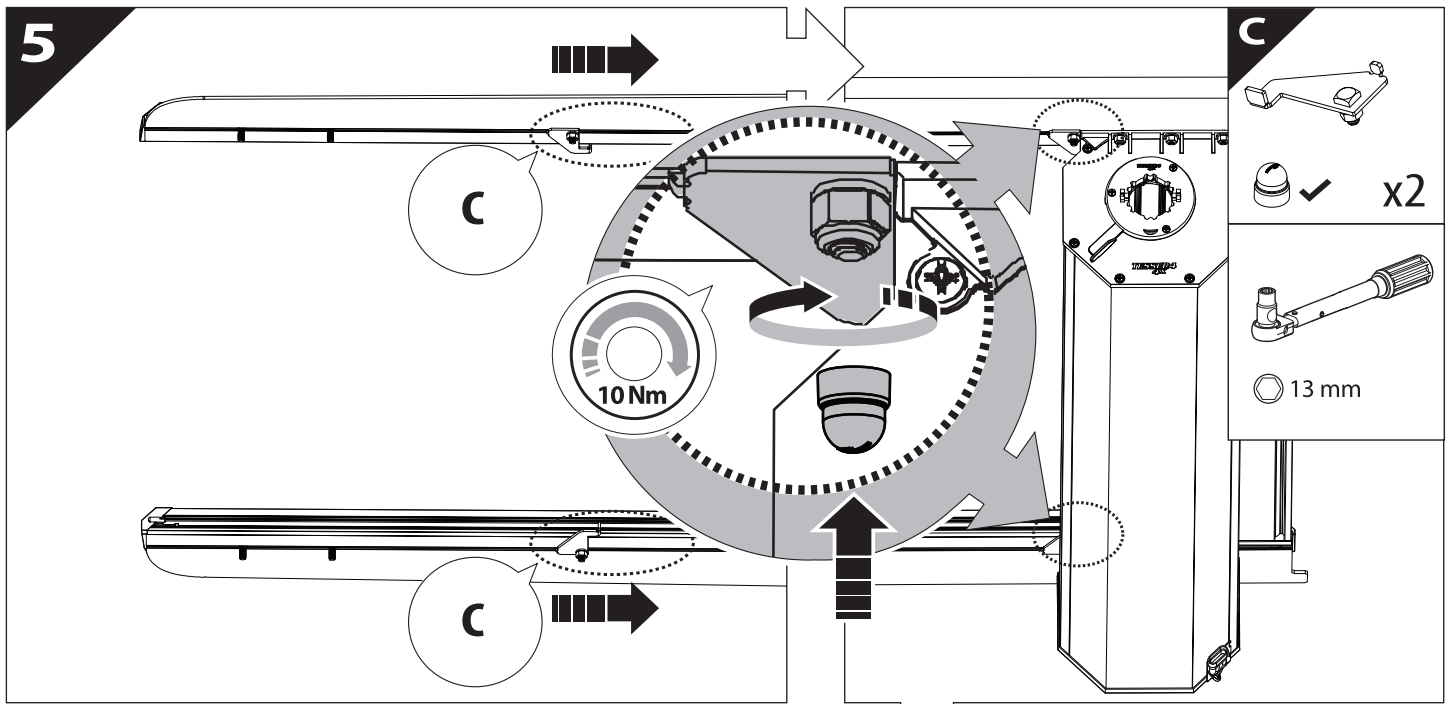


3

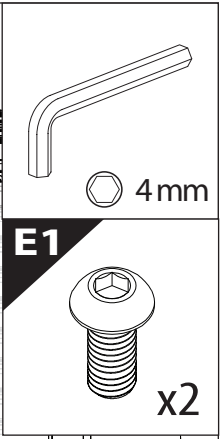
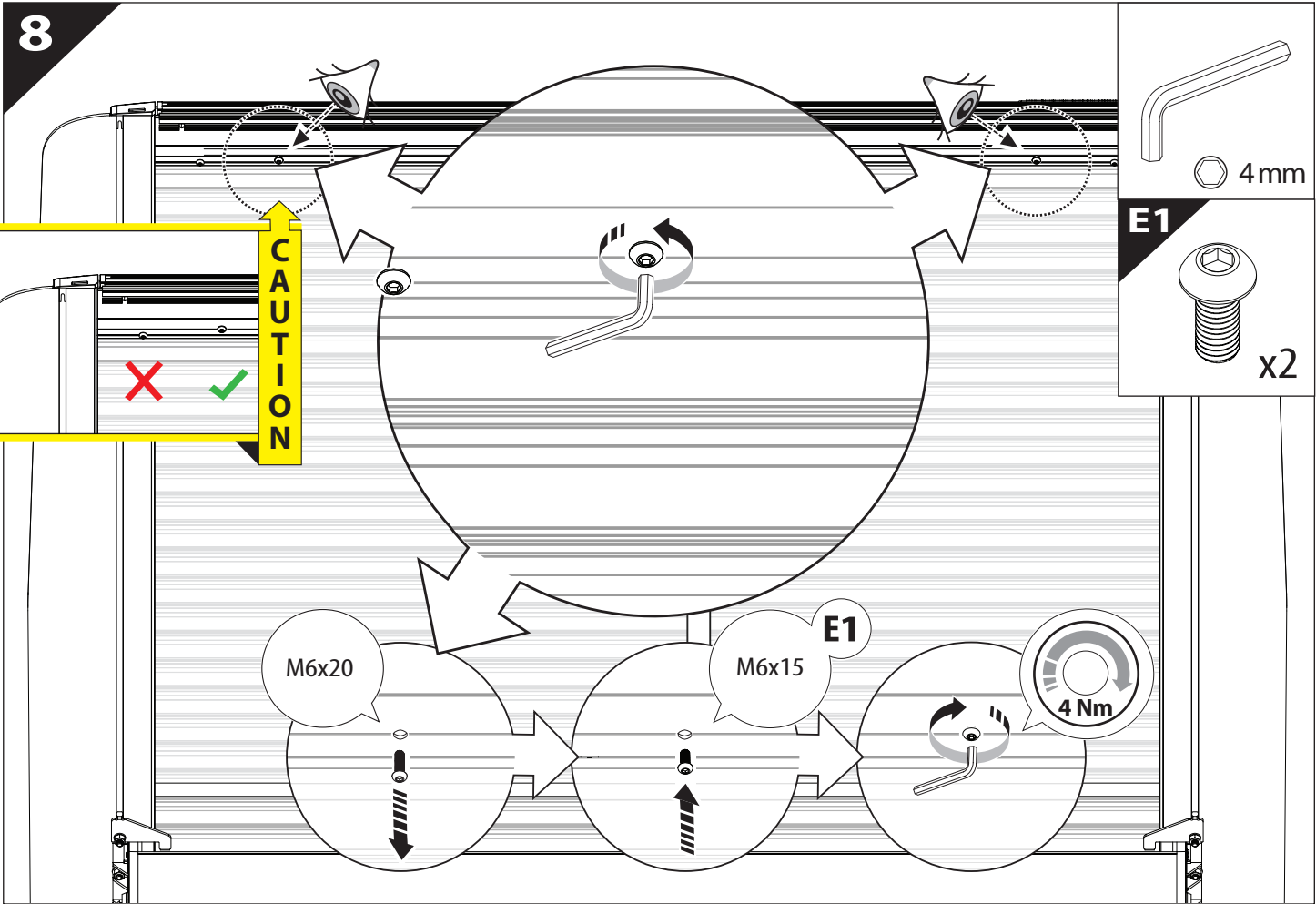
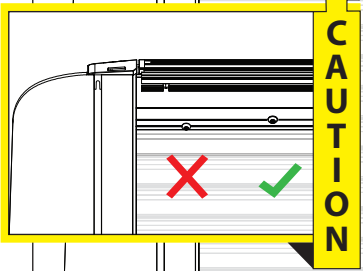


4

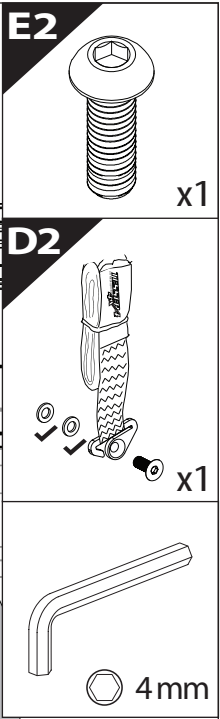
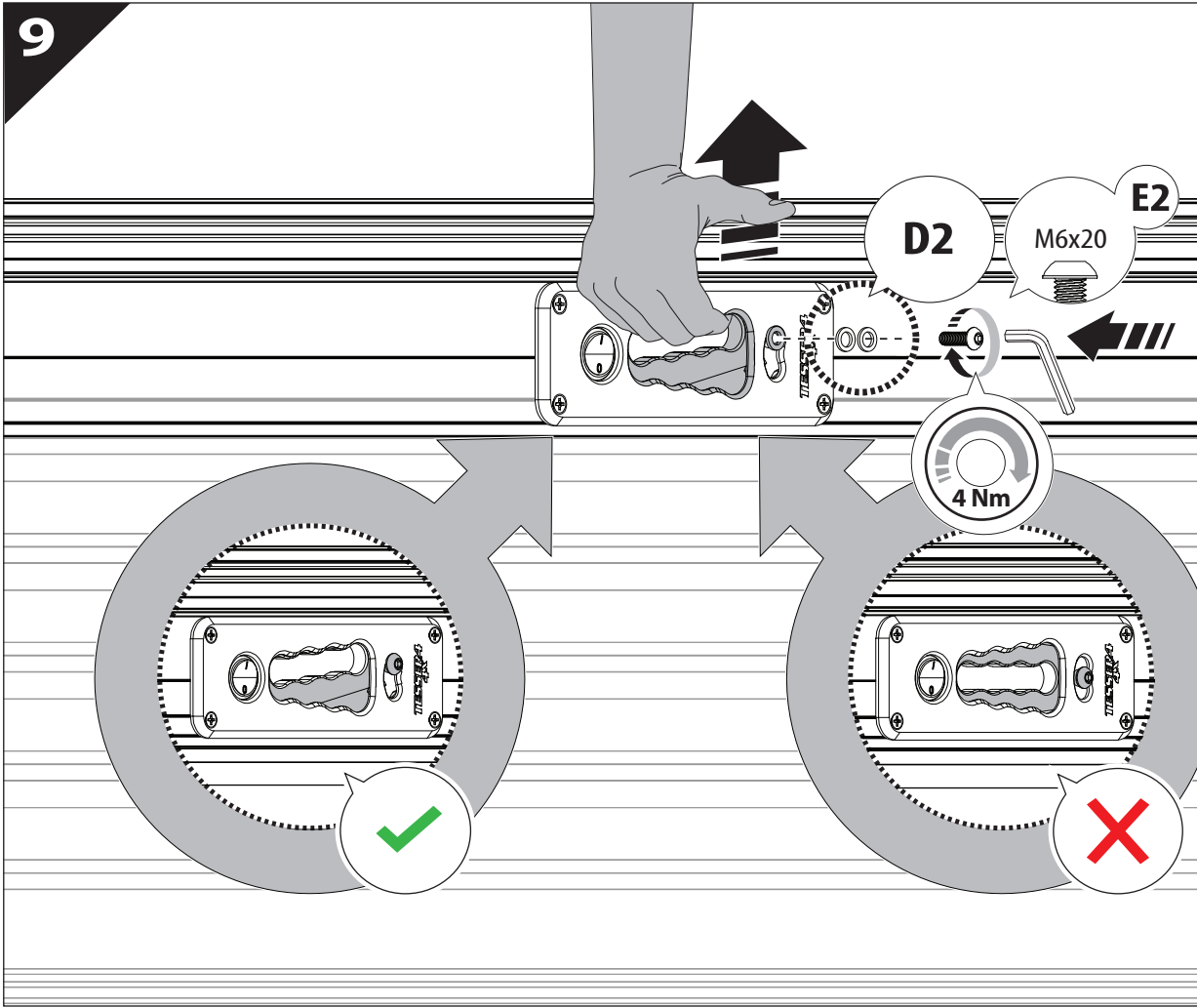


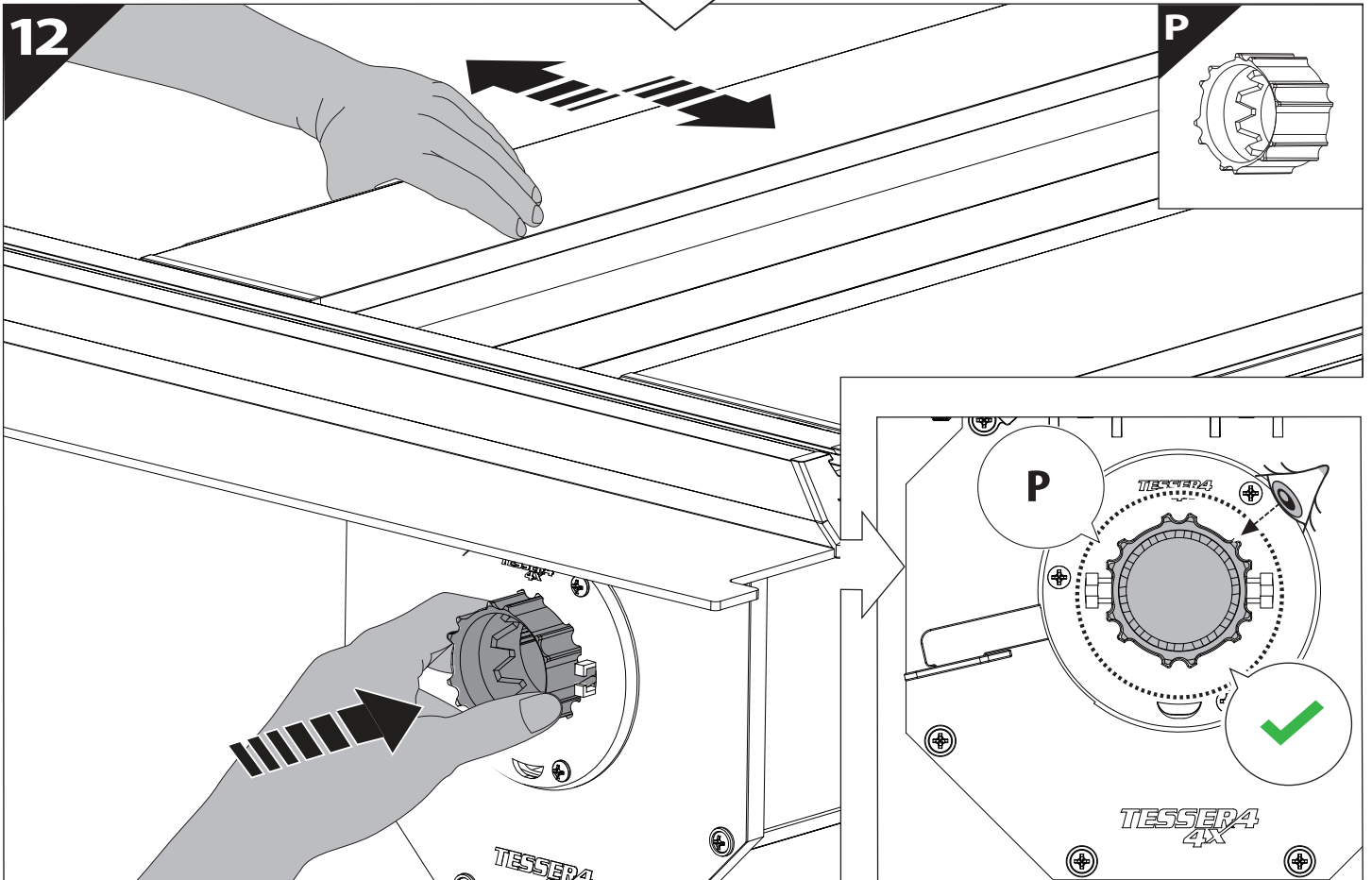
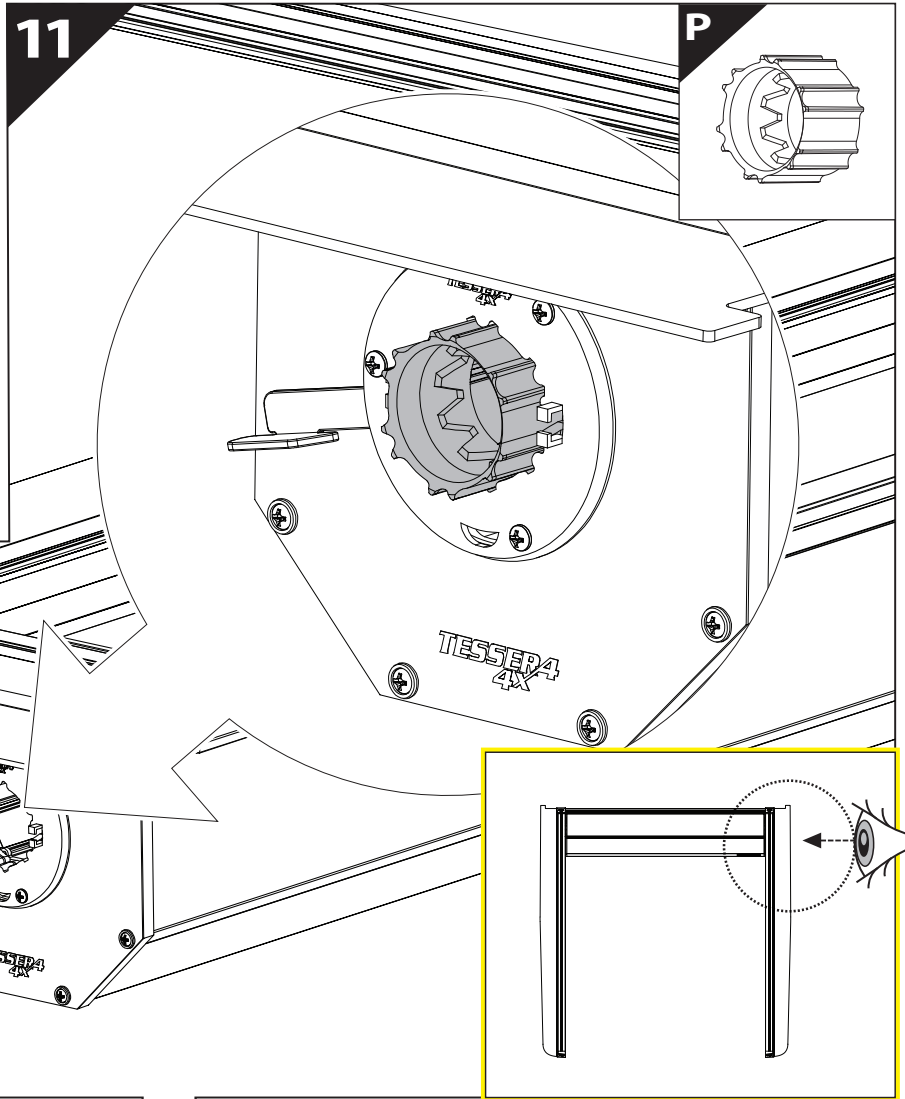
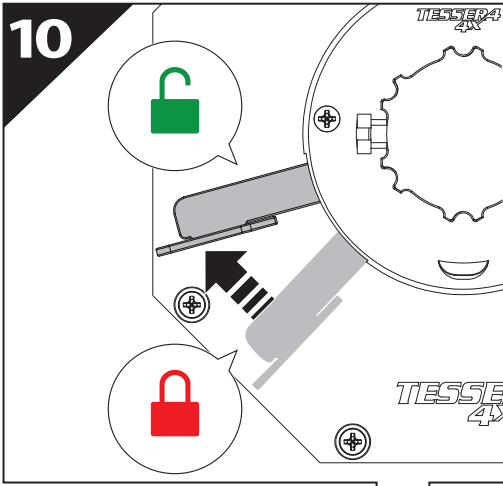


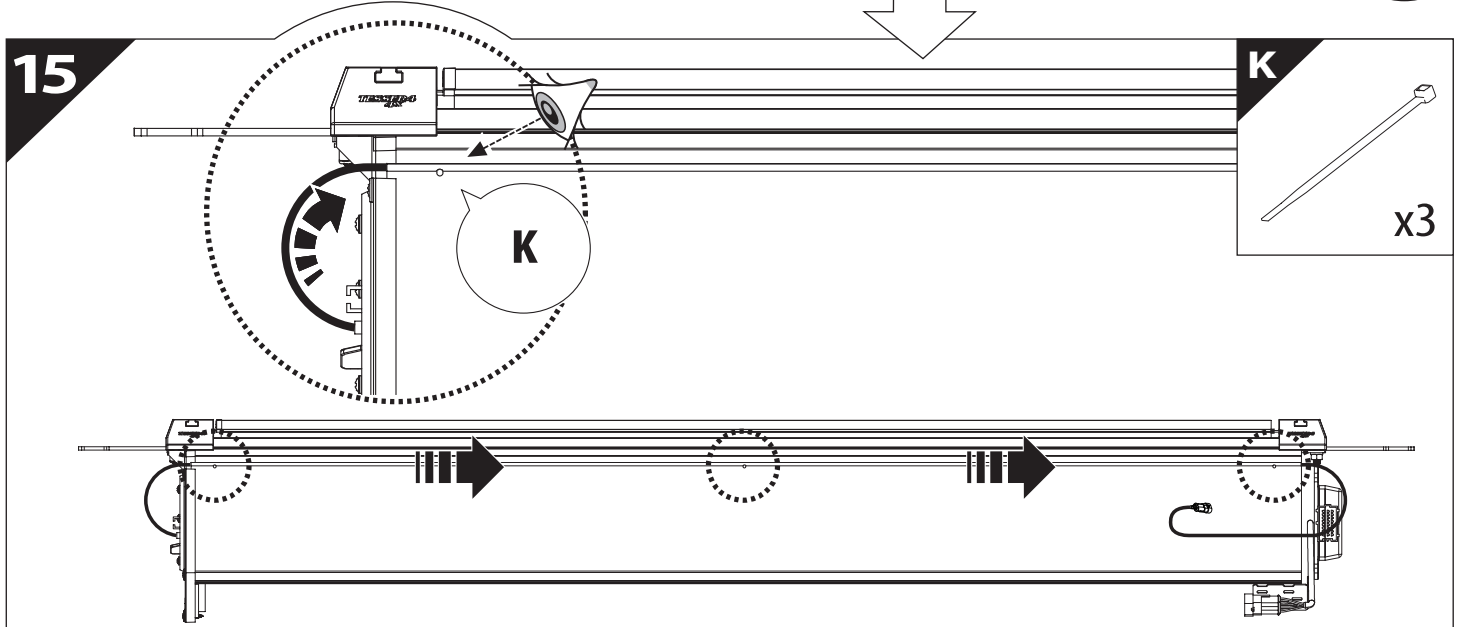
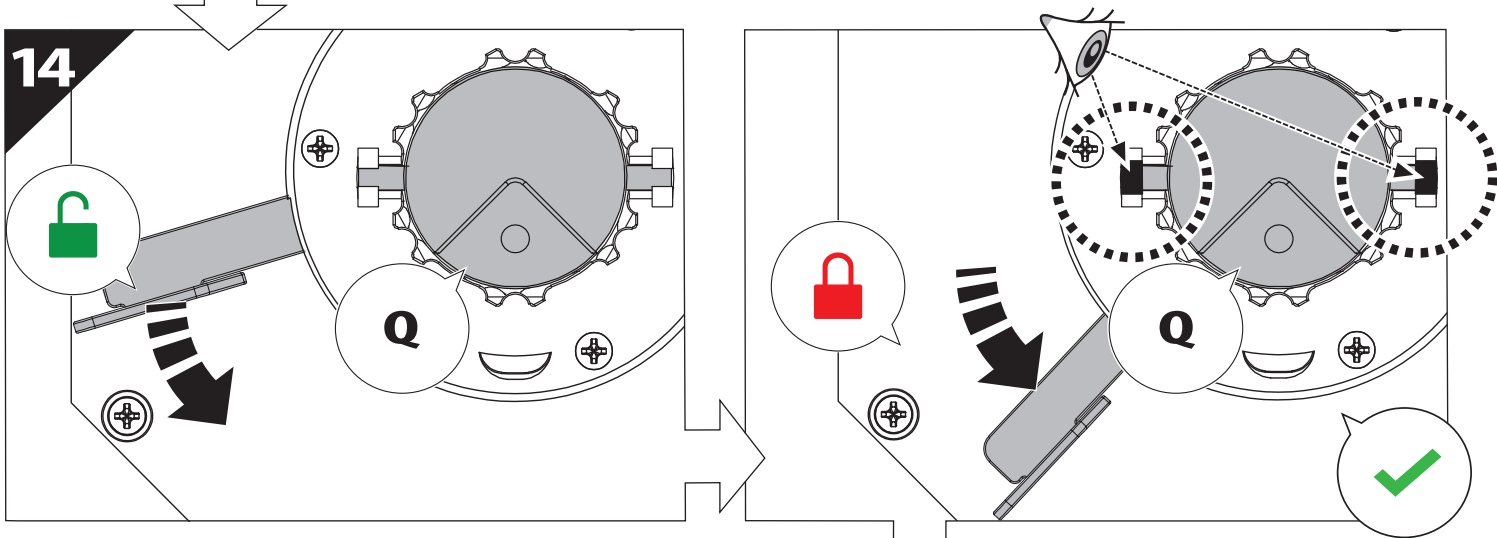
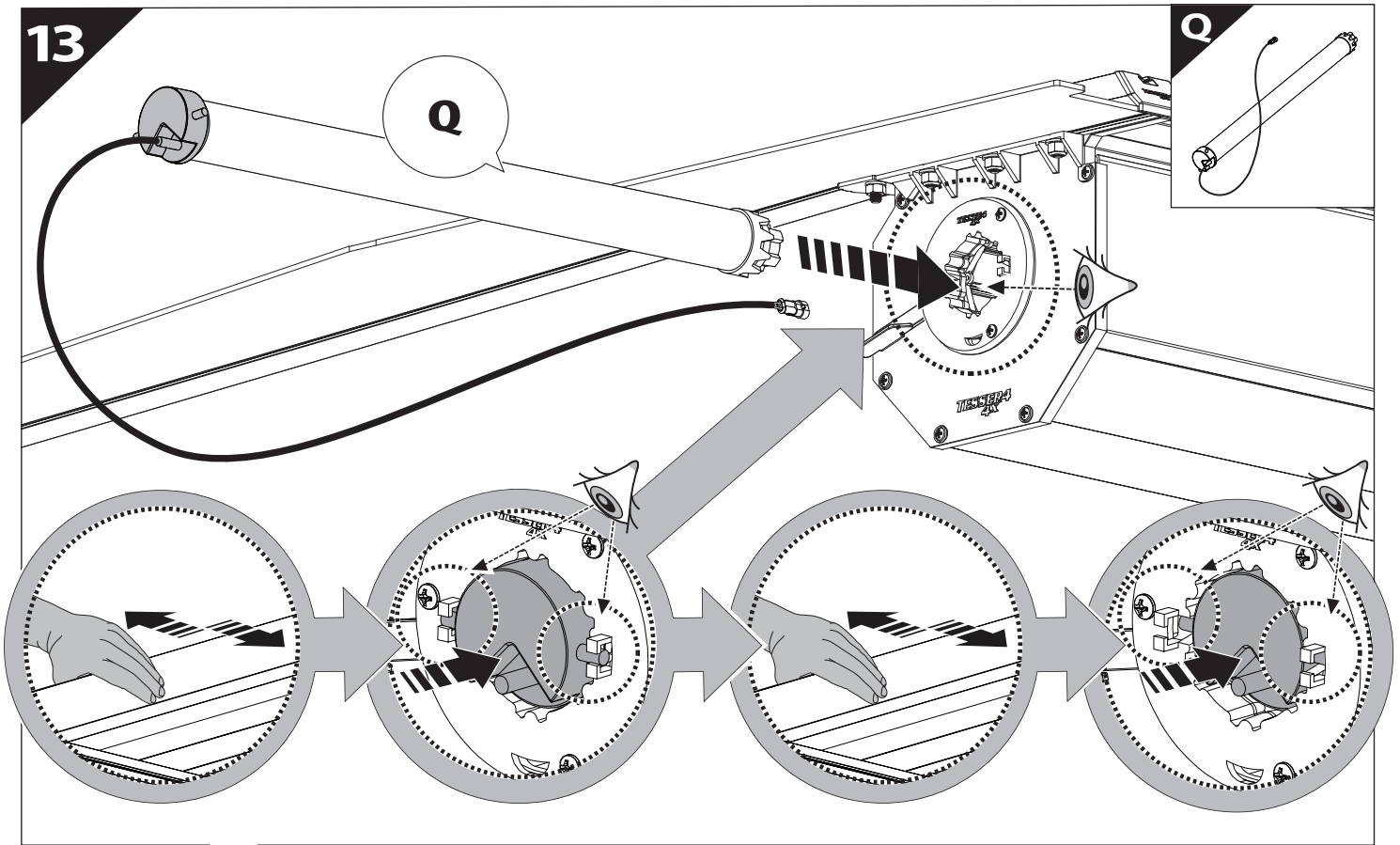
8



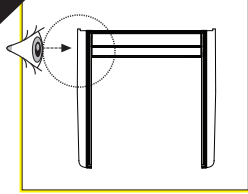
9



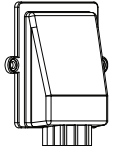




16



O



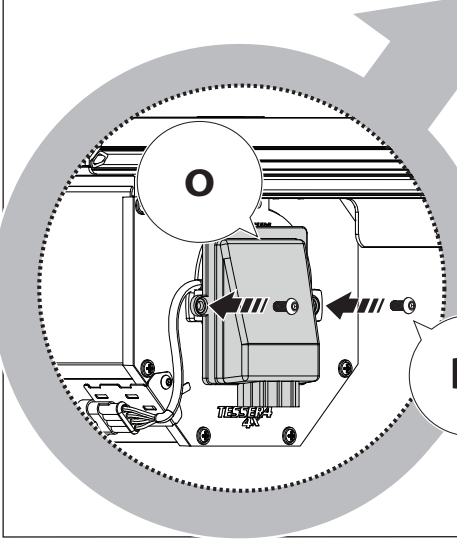
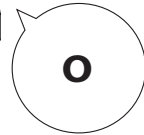
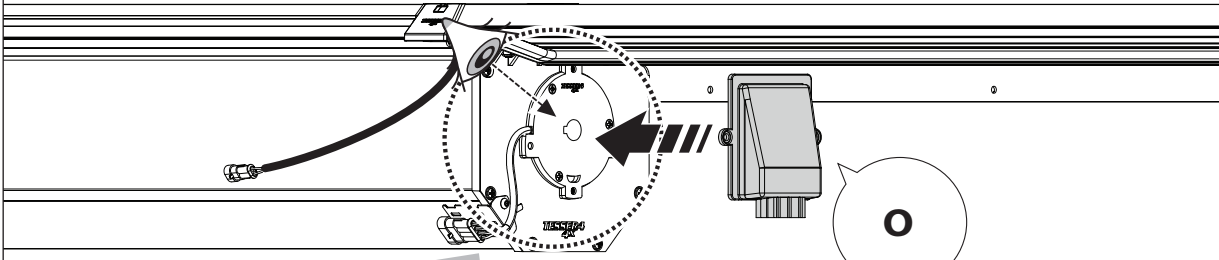
D1



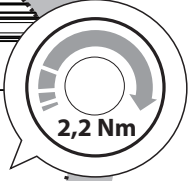
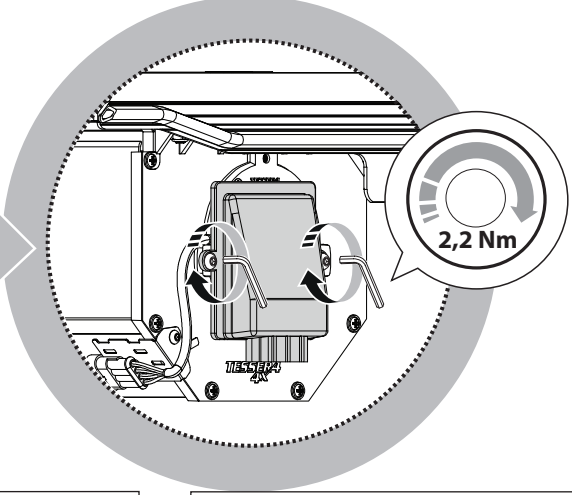
x2



4mm



D1

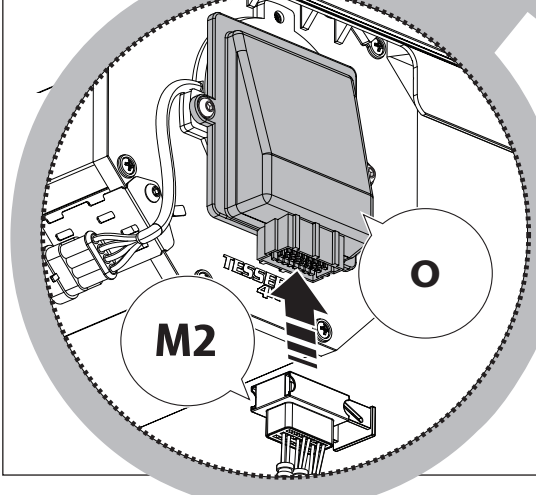
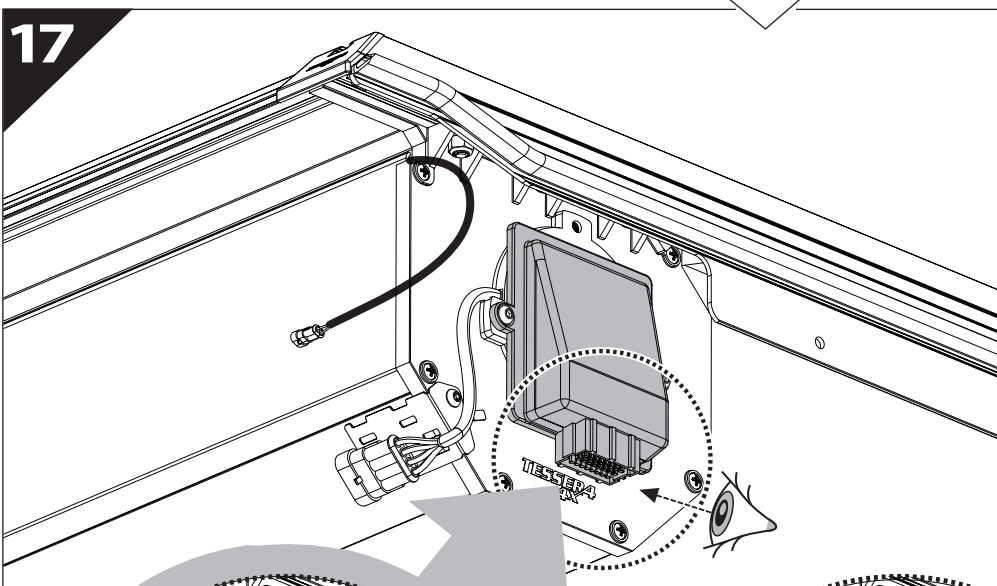


17

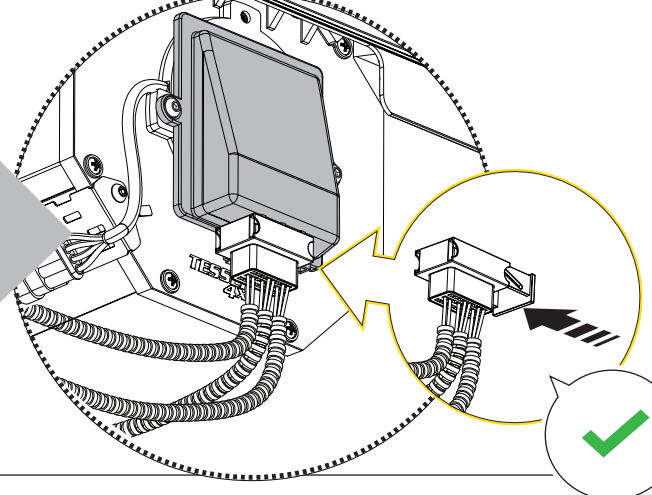
O

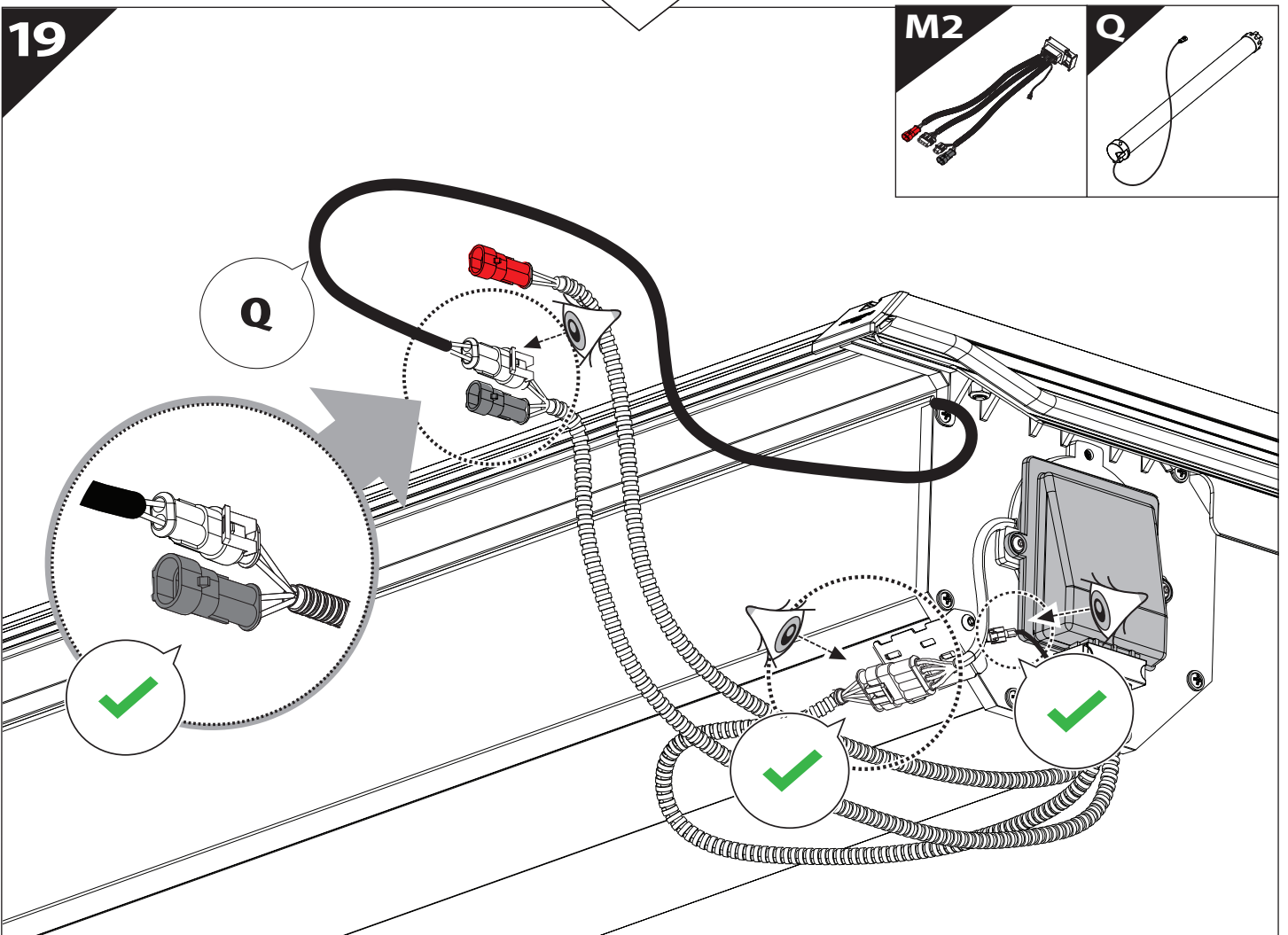
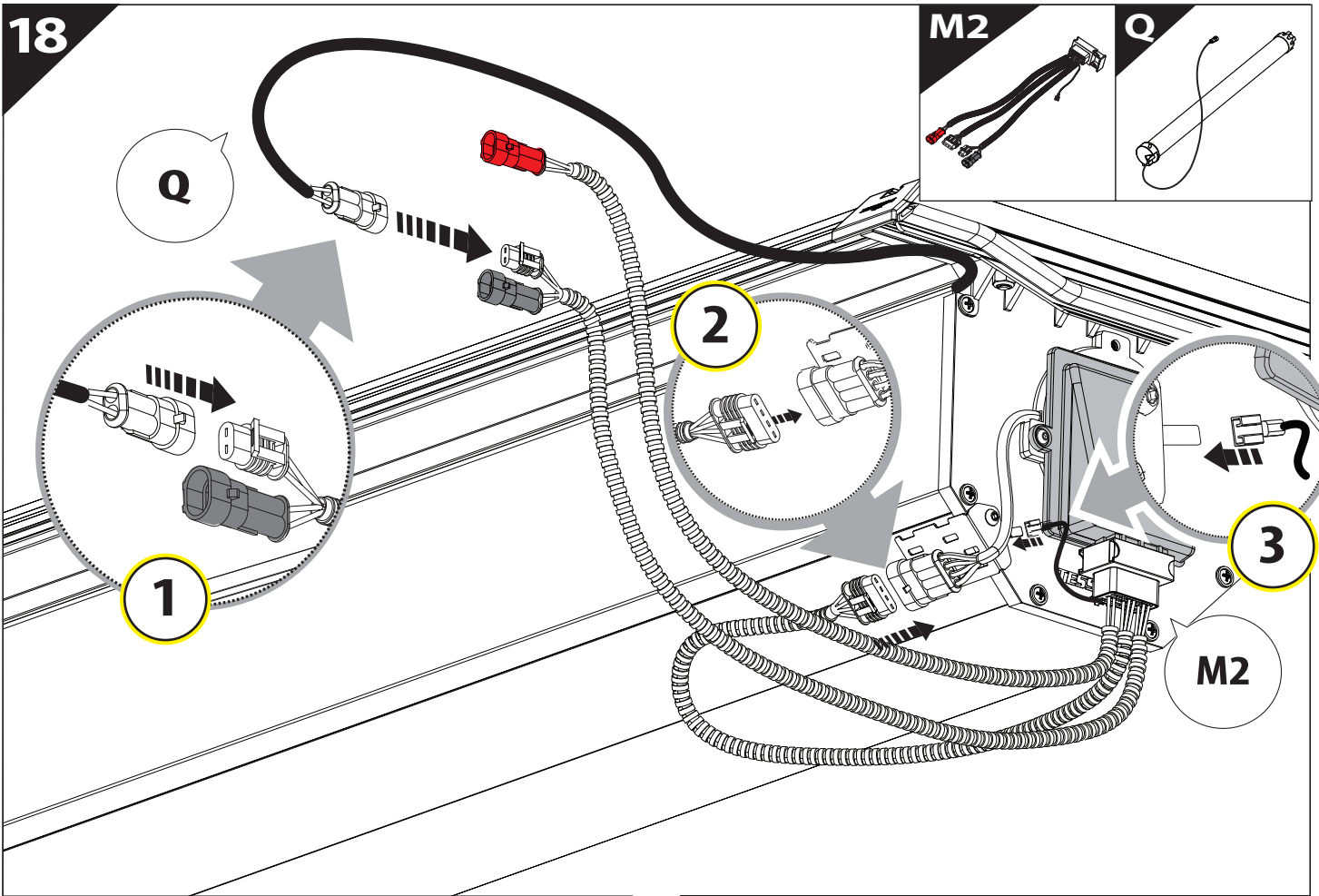


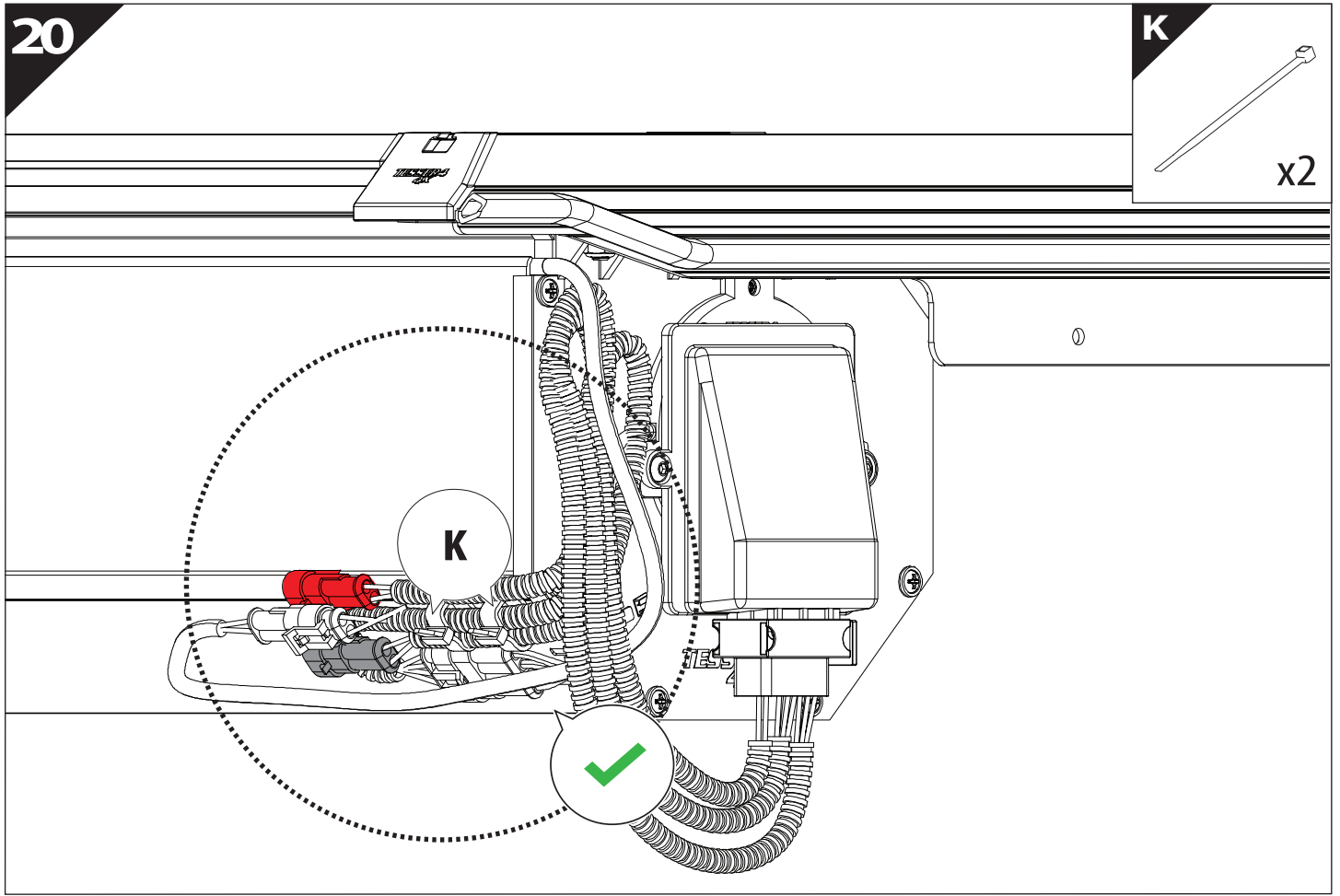
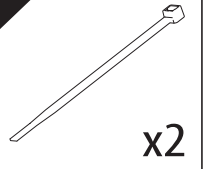
M2

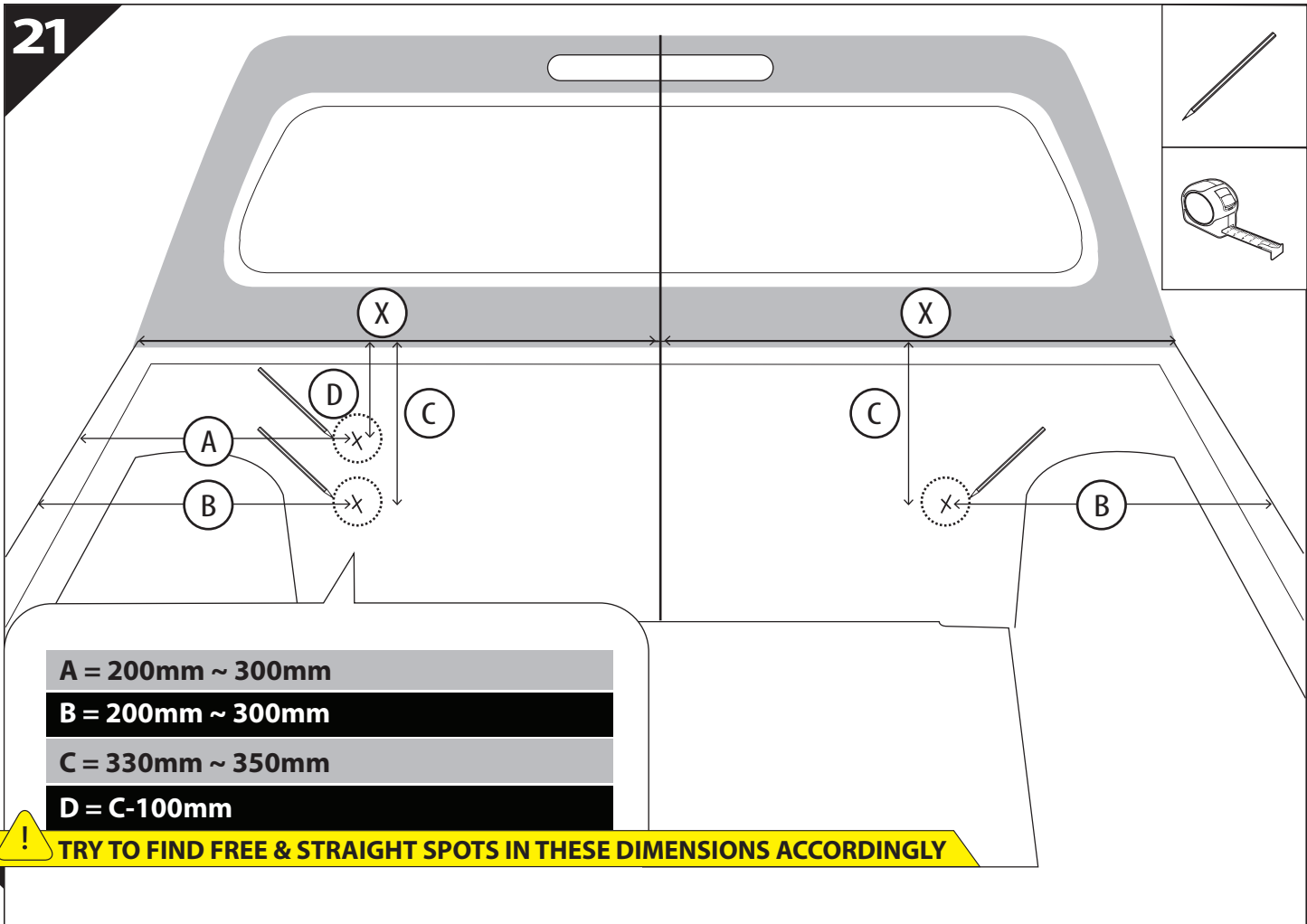
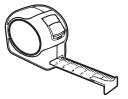


M2









A = 200mm ~ 300mm

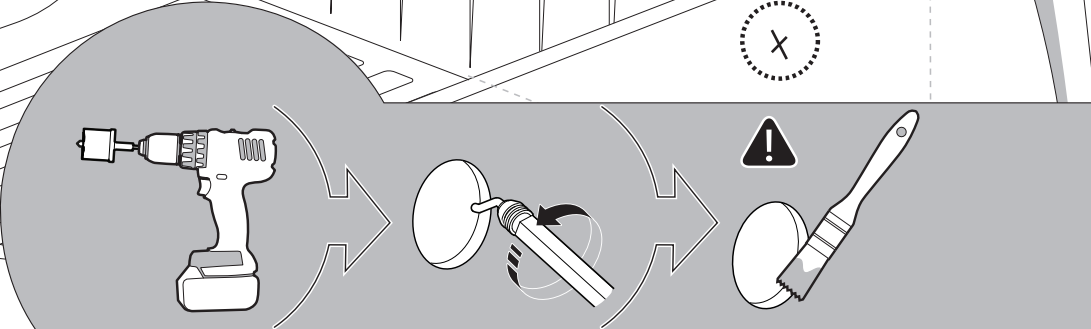
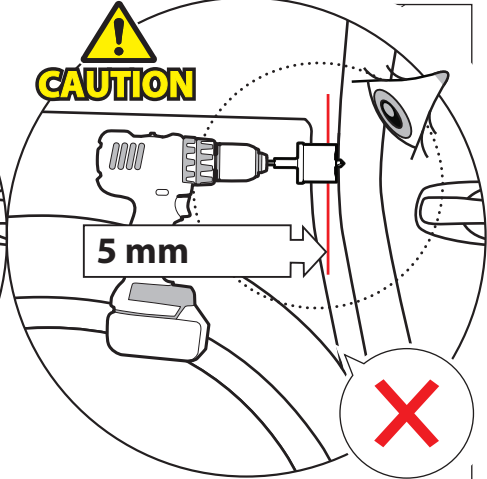
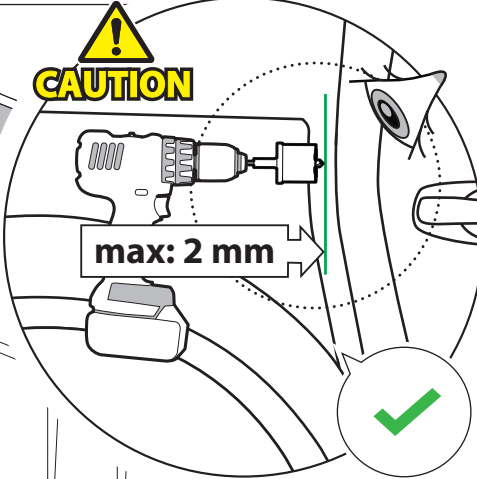
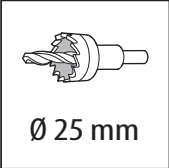
B = 200mm ~ 300mm

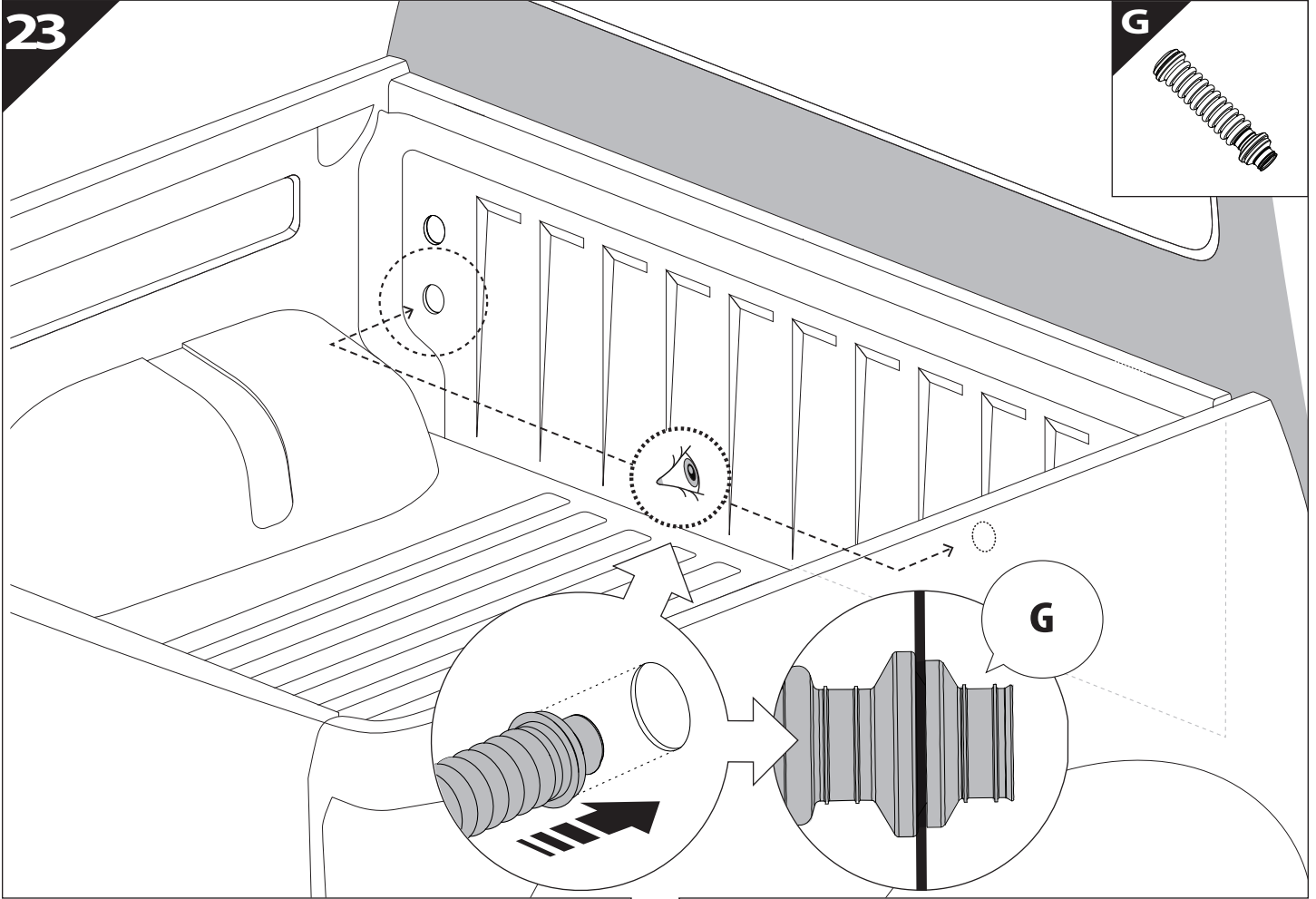
C = 330mm ~ 350mm

D = C-100mm

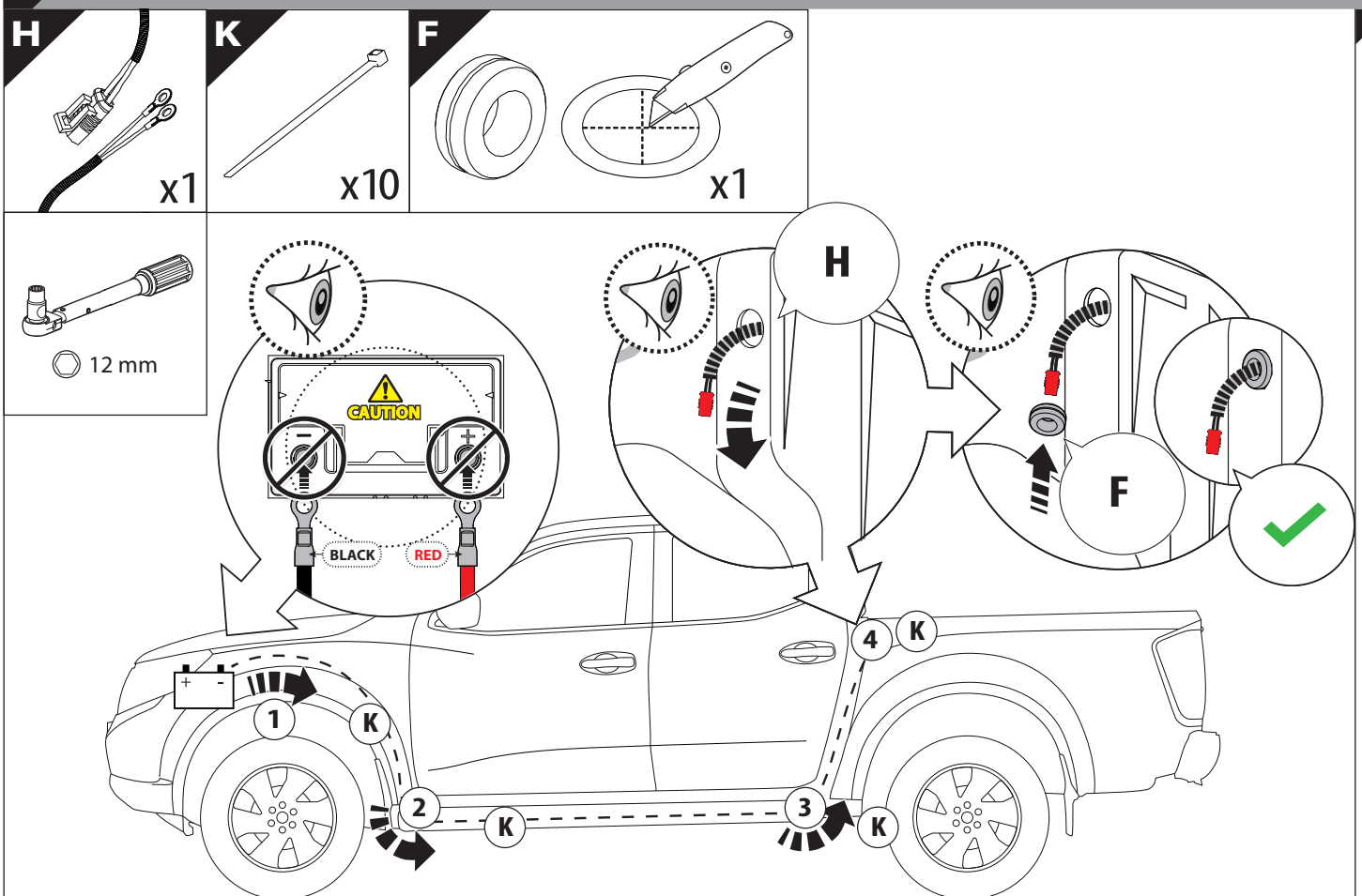


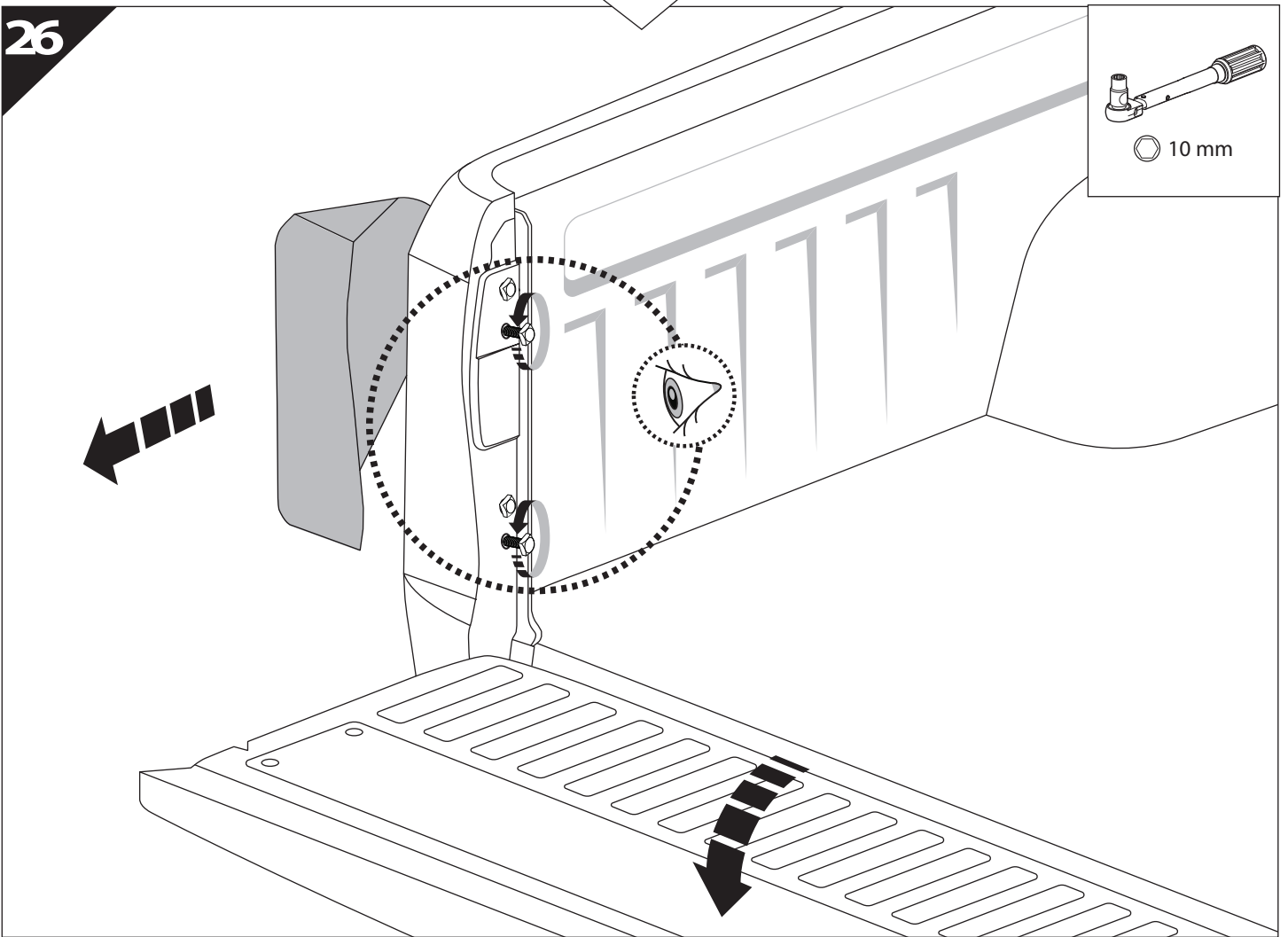
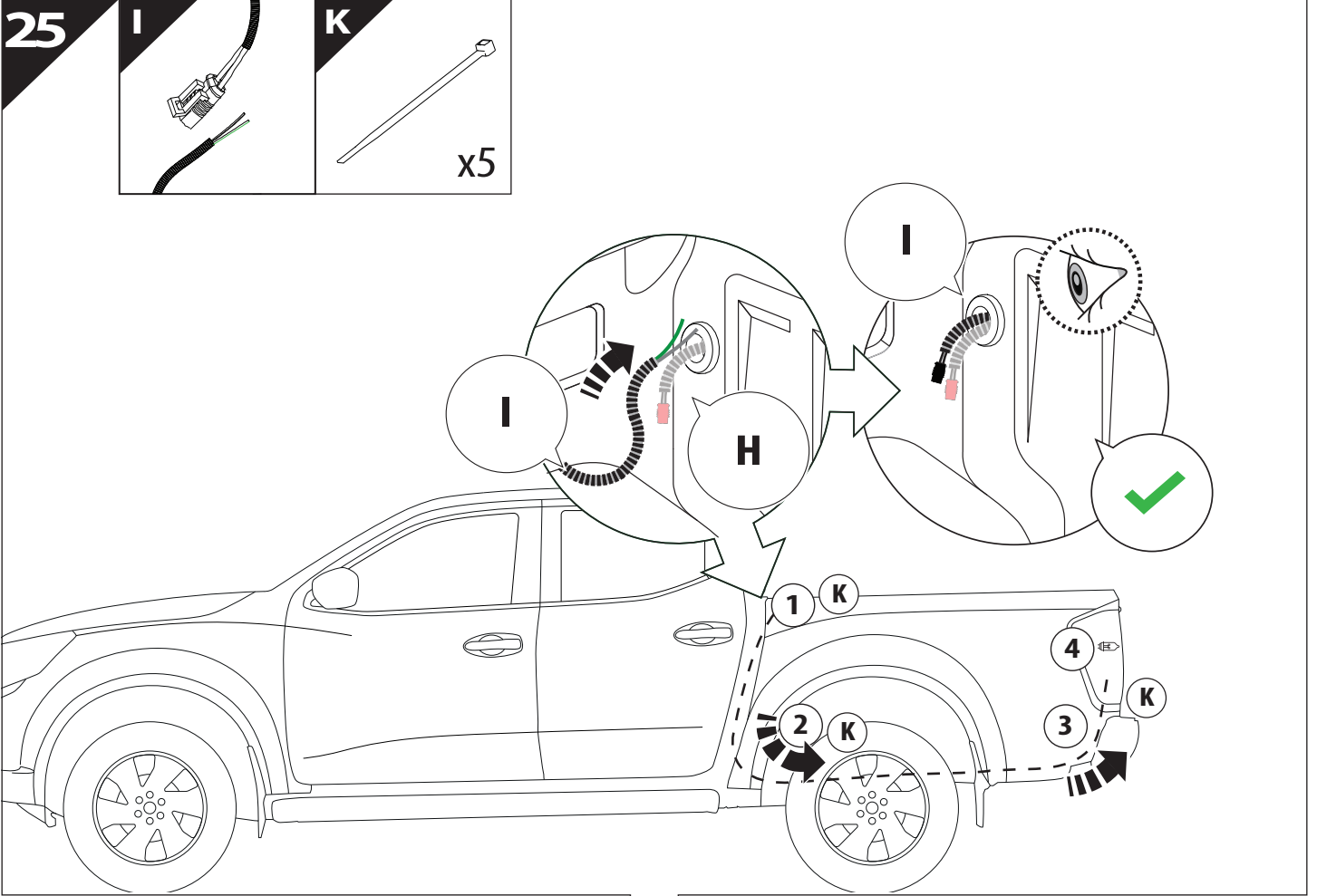
TRY TO FIND FREE & STRAIGHT SPOTS IN THESE DIMENSIONS ACCORDINGLY



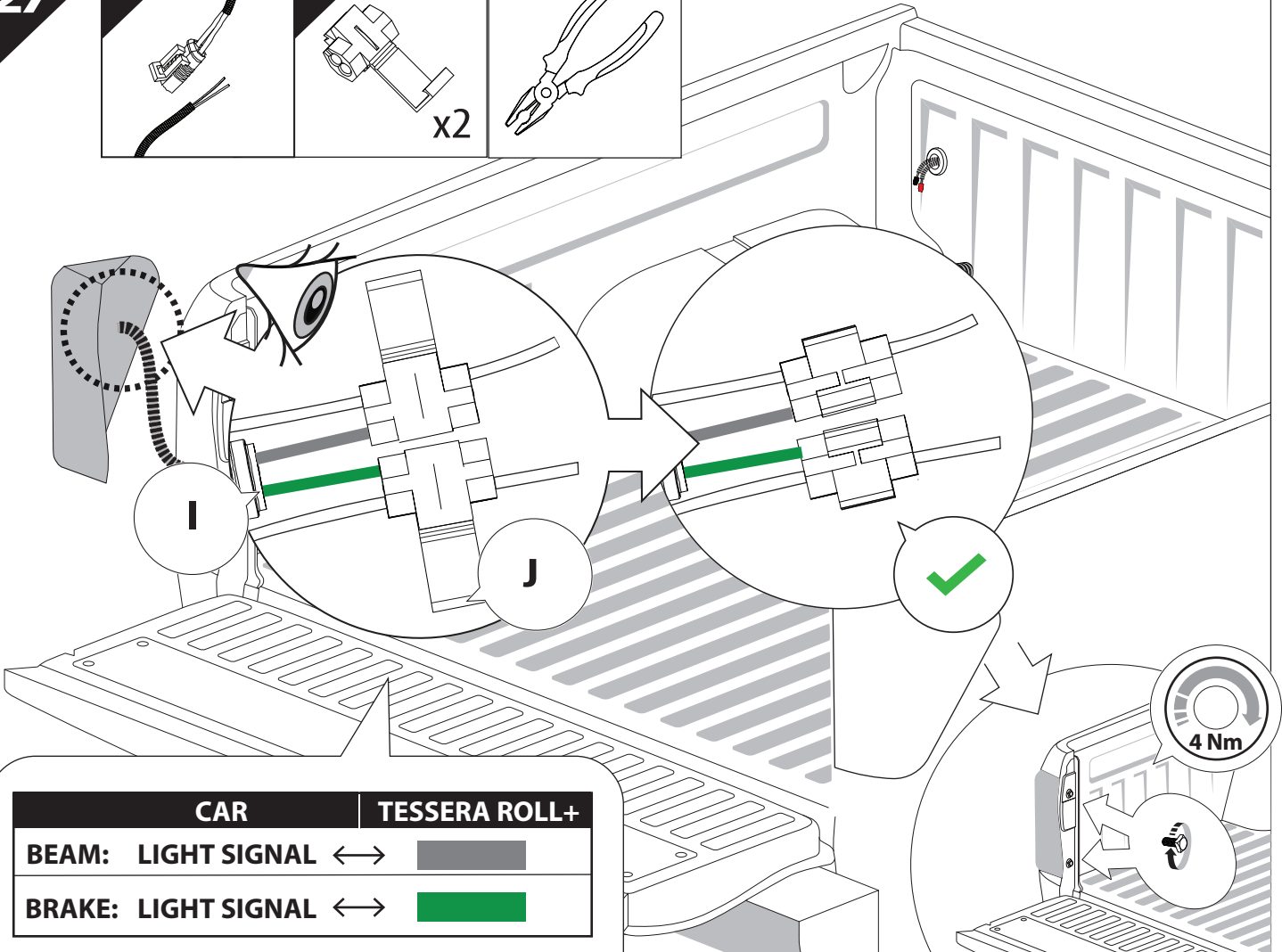
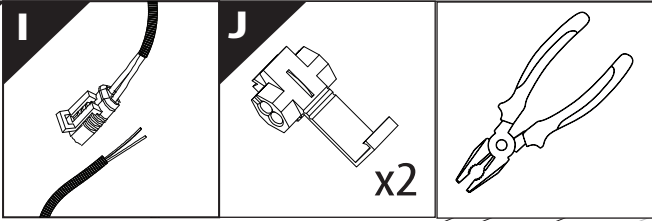


24 Only to be installed by authorized personnel





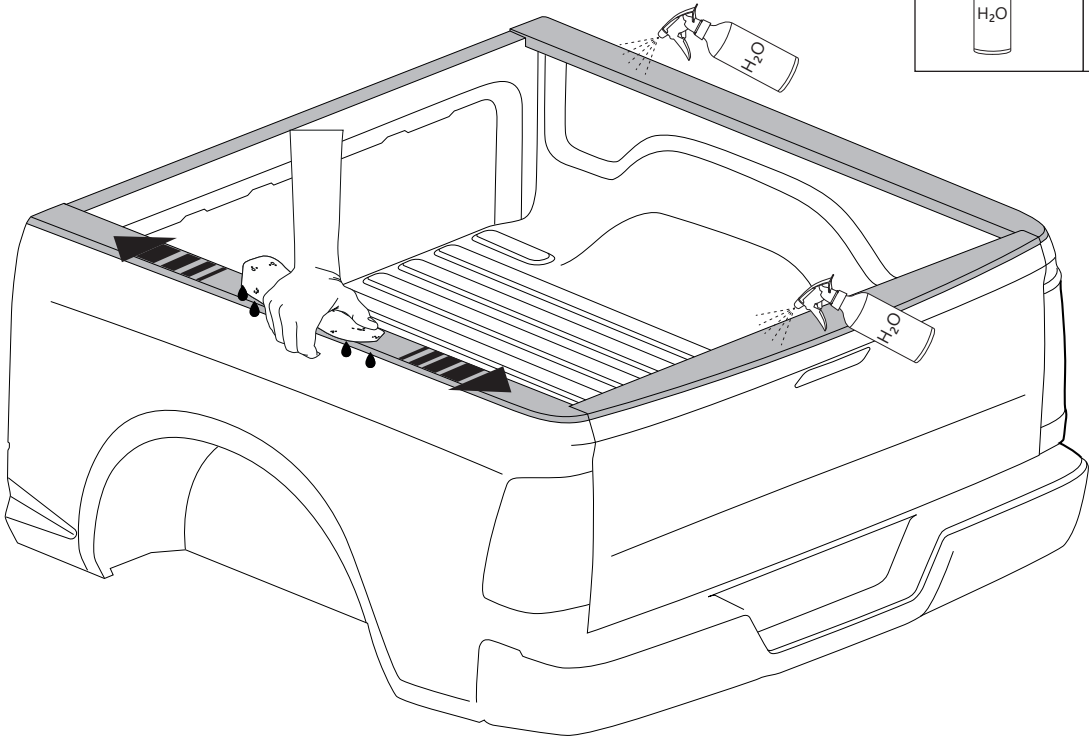
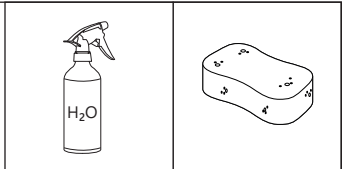
27

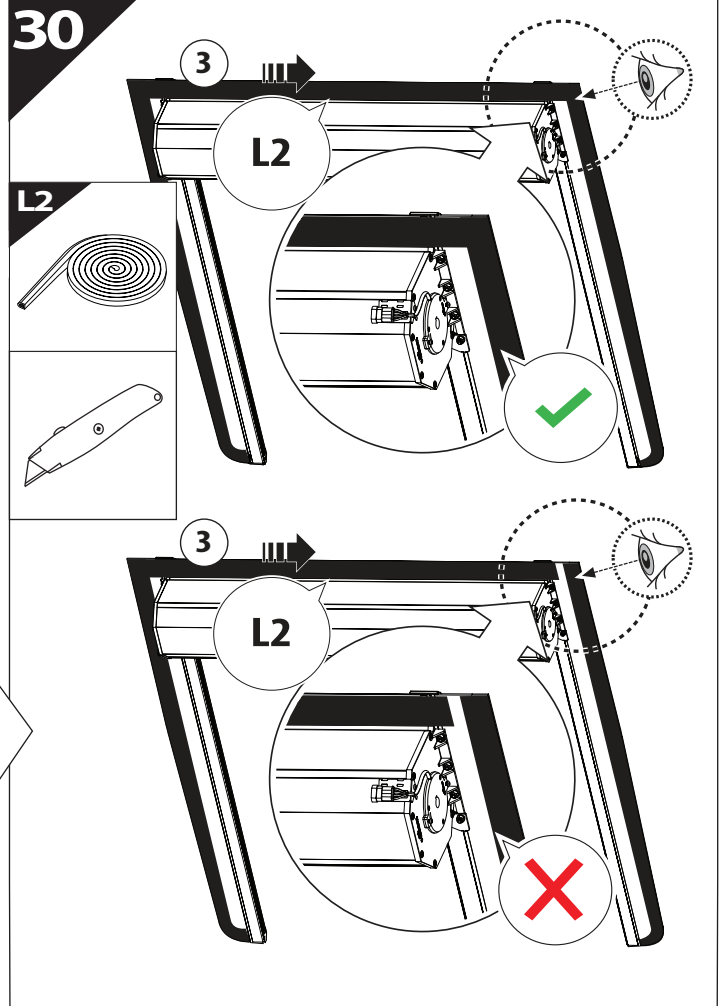
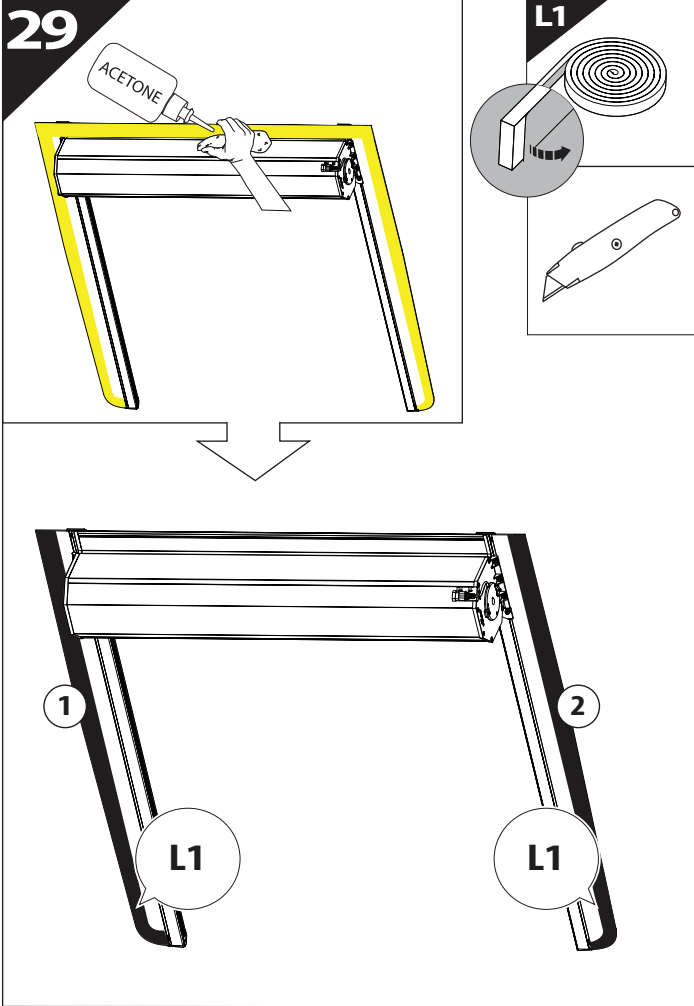


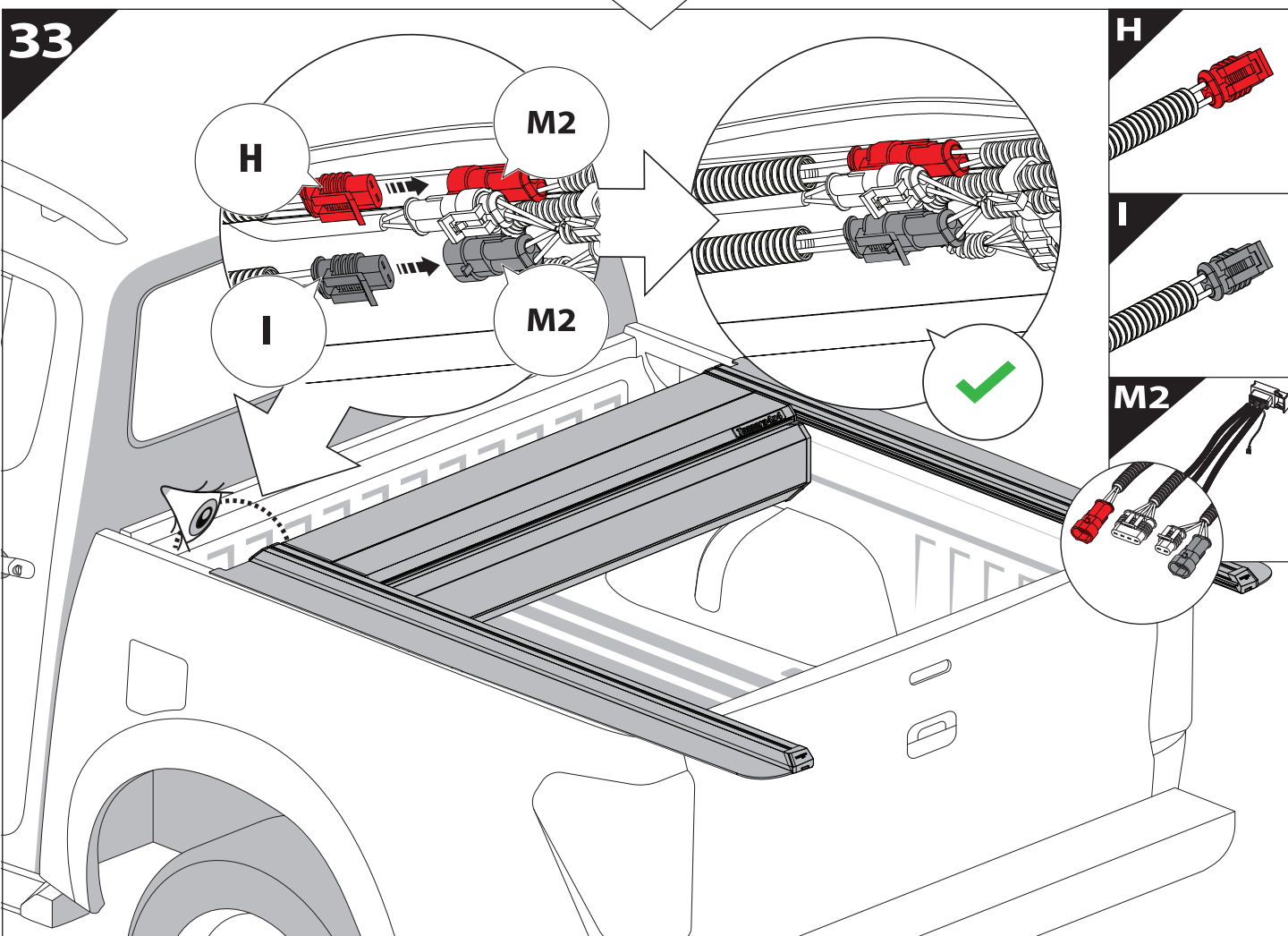
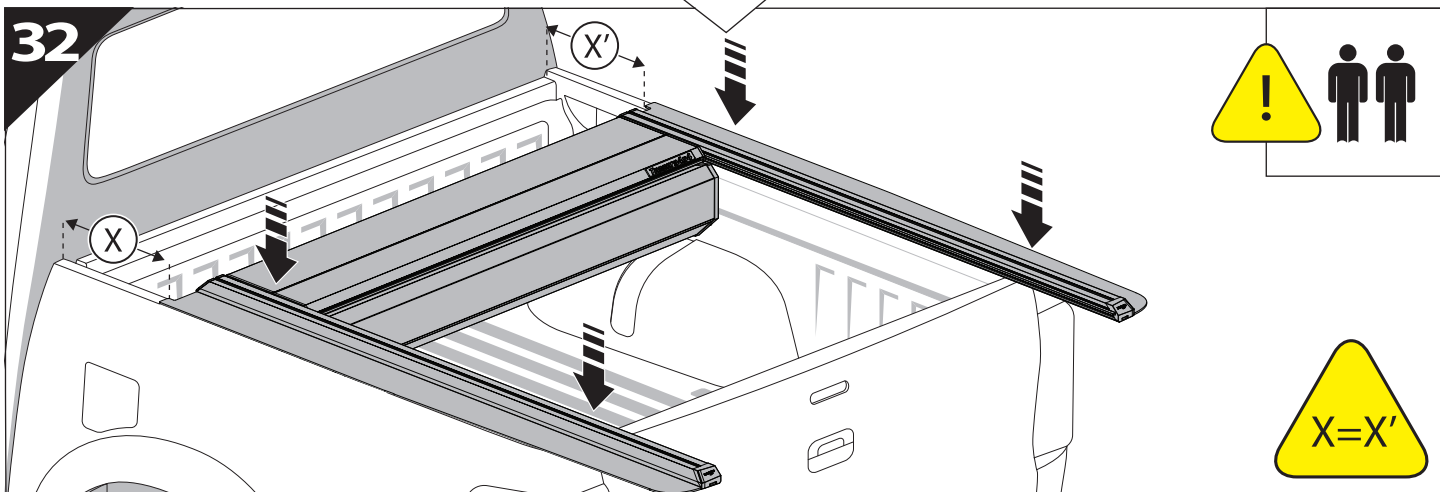
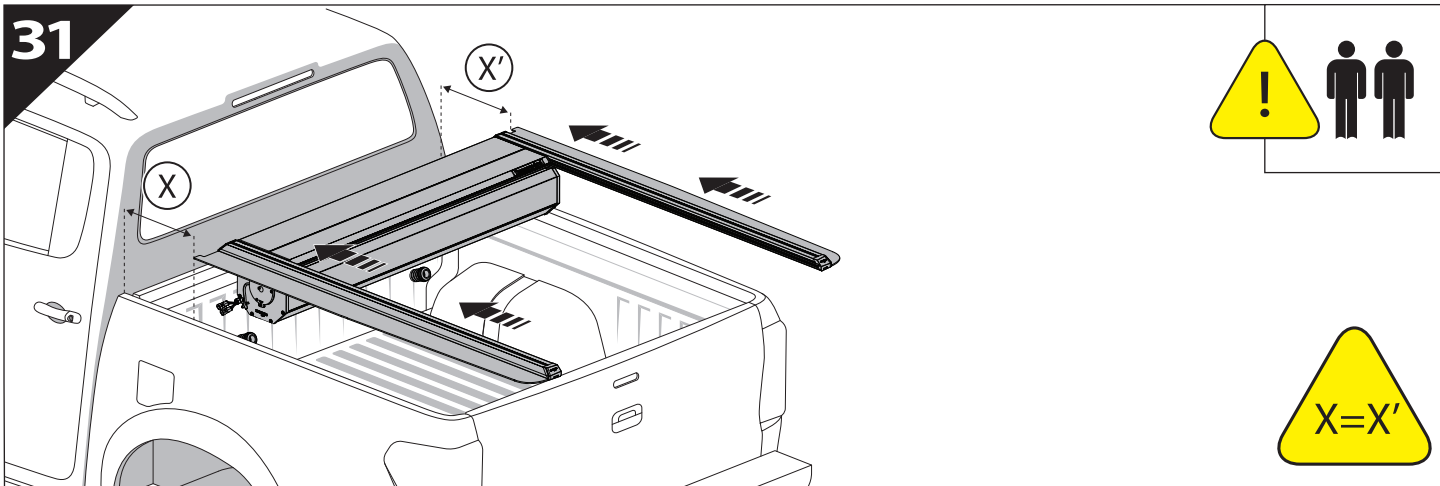
CAR	TESSERA ROLL+
BEAM: LIGHT SIGNAL ↔	
BRAKE: LIGHT SIGNAL ↔	

CAUTION: CONSULT A CERTIFIED AUTO MECHANIC OR AUTOMOTIVE ELECTRICIAN TO IDENTIFY THE CORRECT WIRING CABLES FOR BEAM AND BRAKE SIGNALS BEFORE MAKING ANY CONNECTIONS.

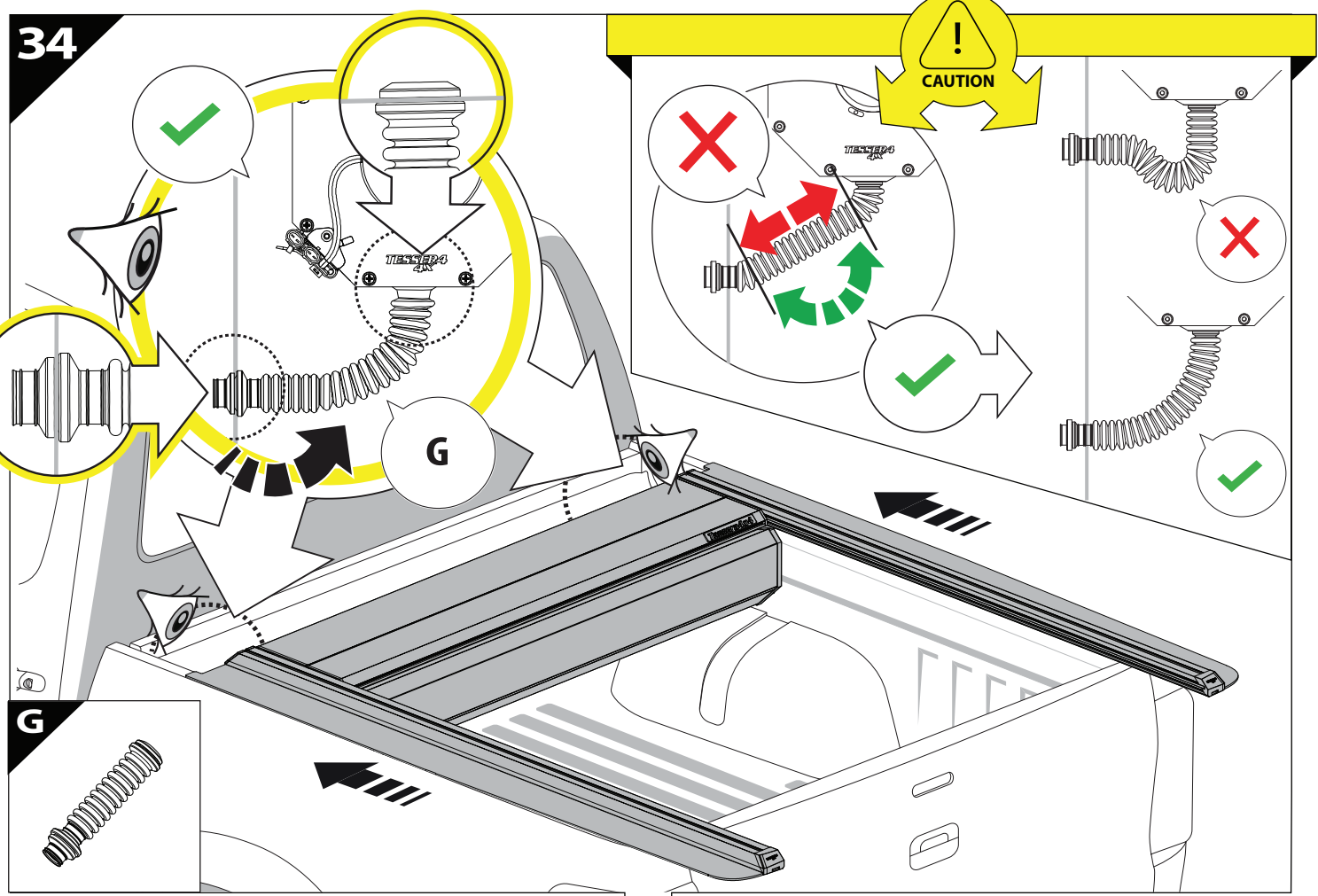
28



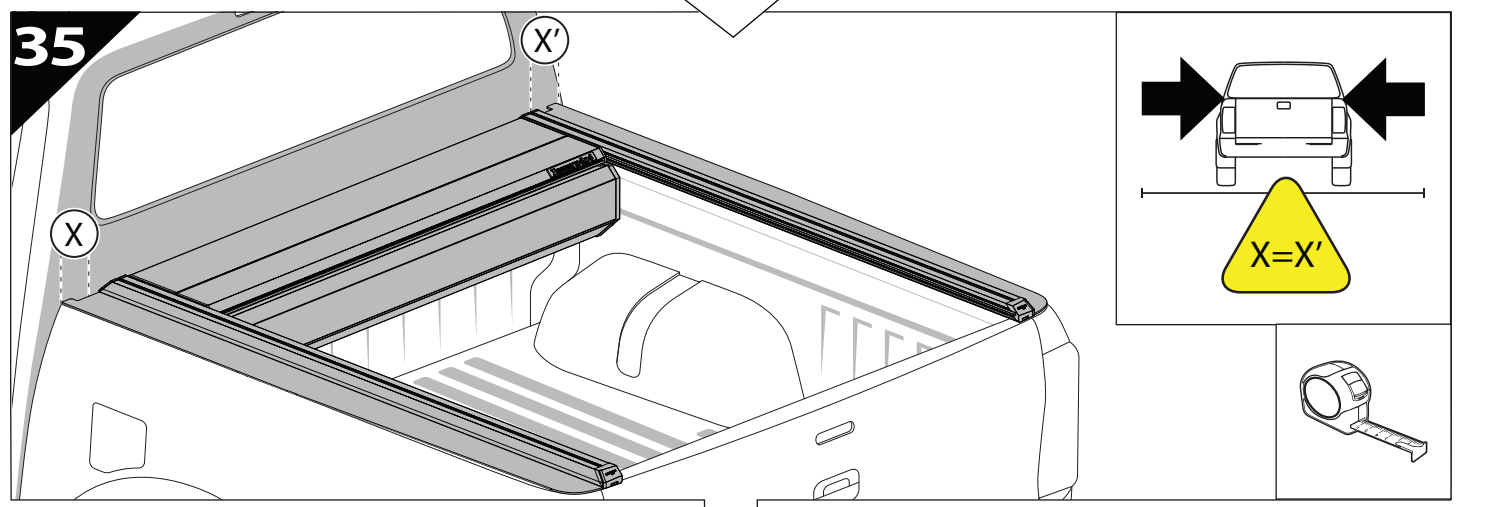




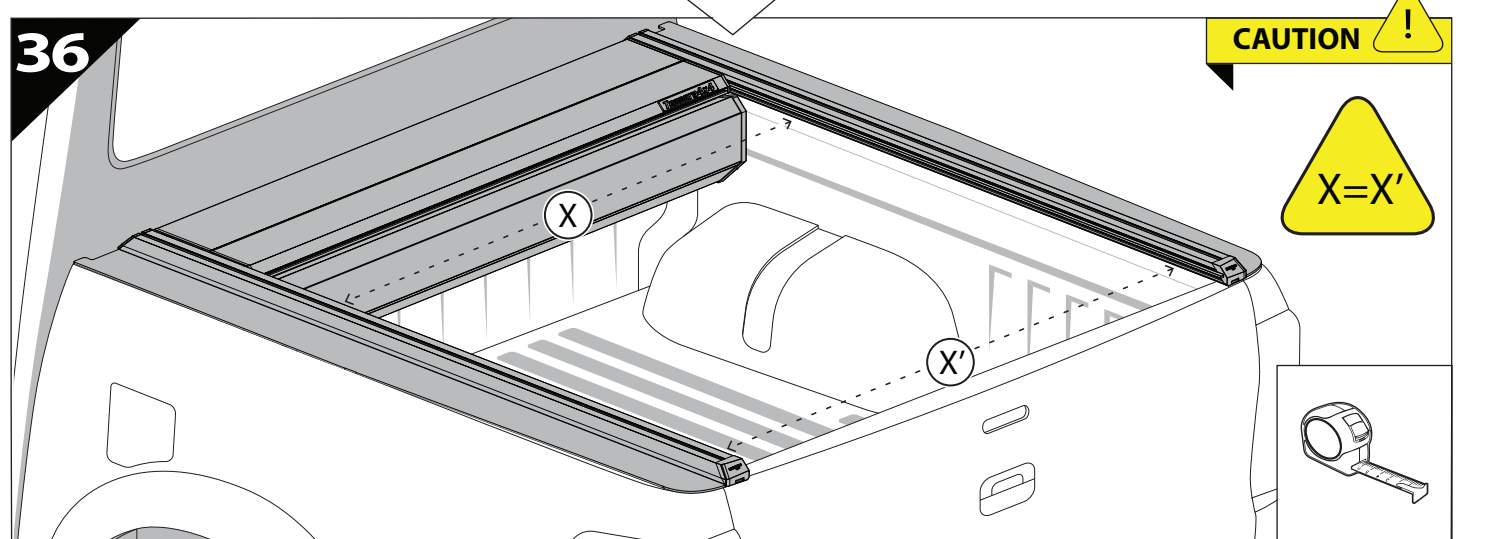
34

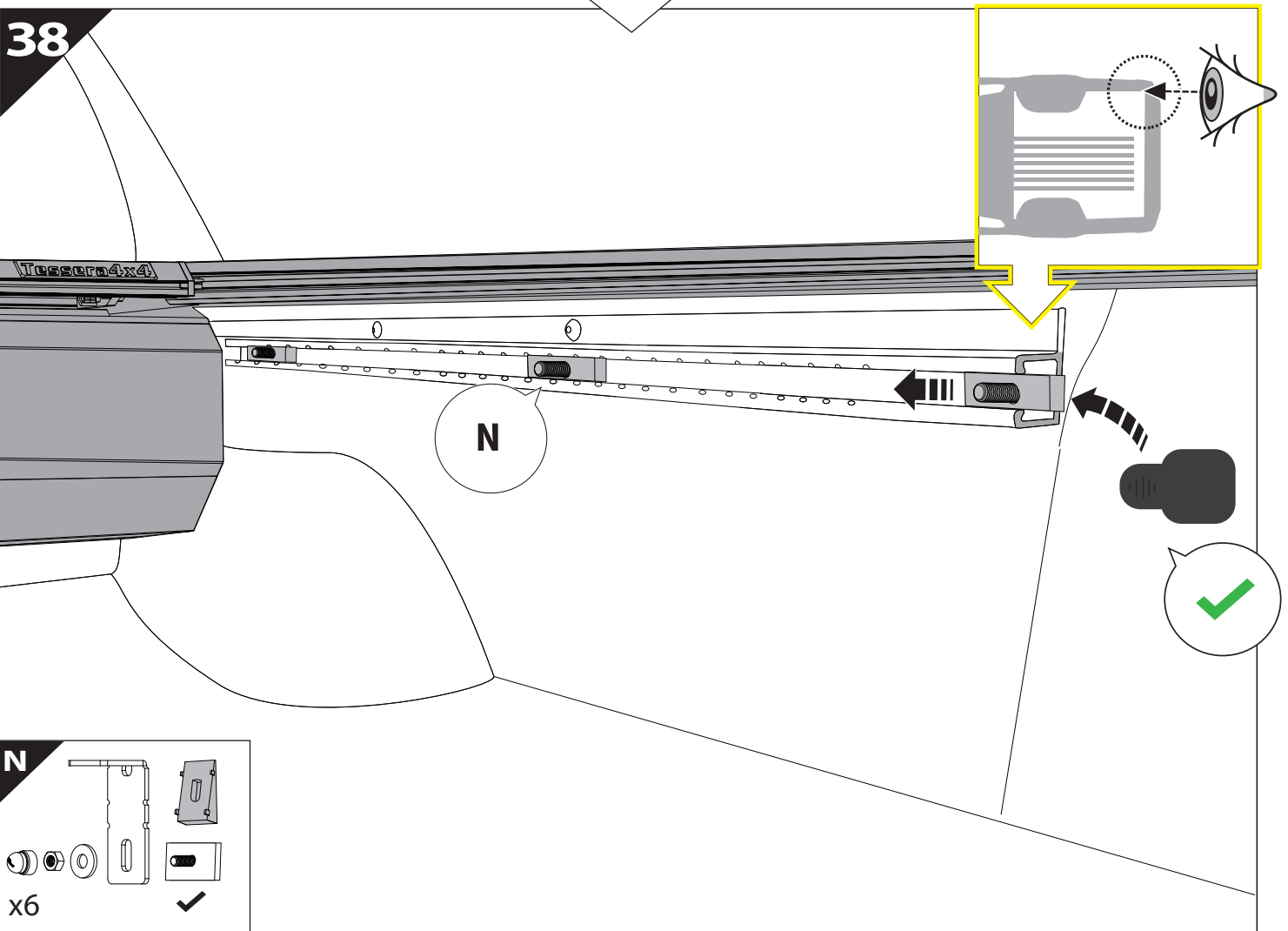
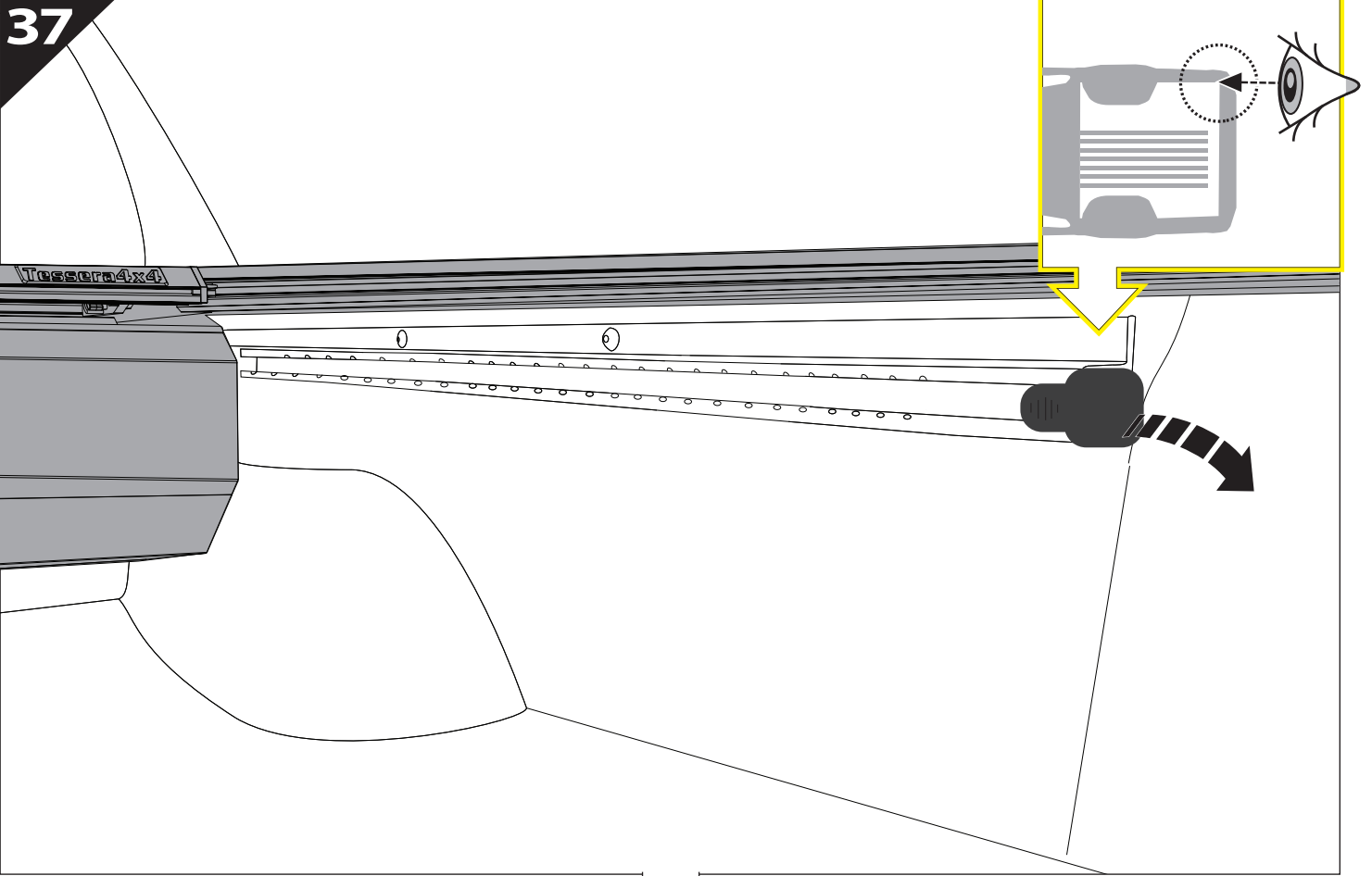


35

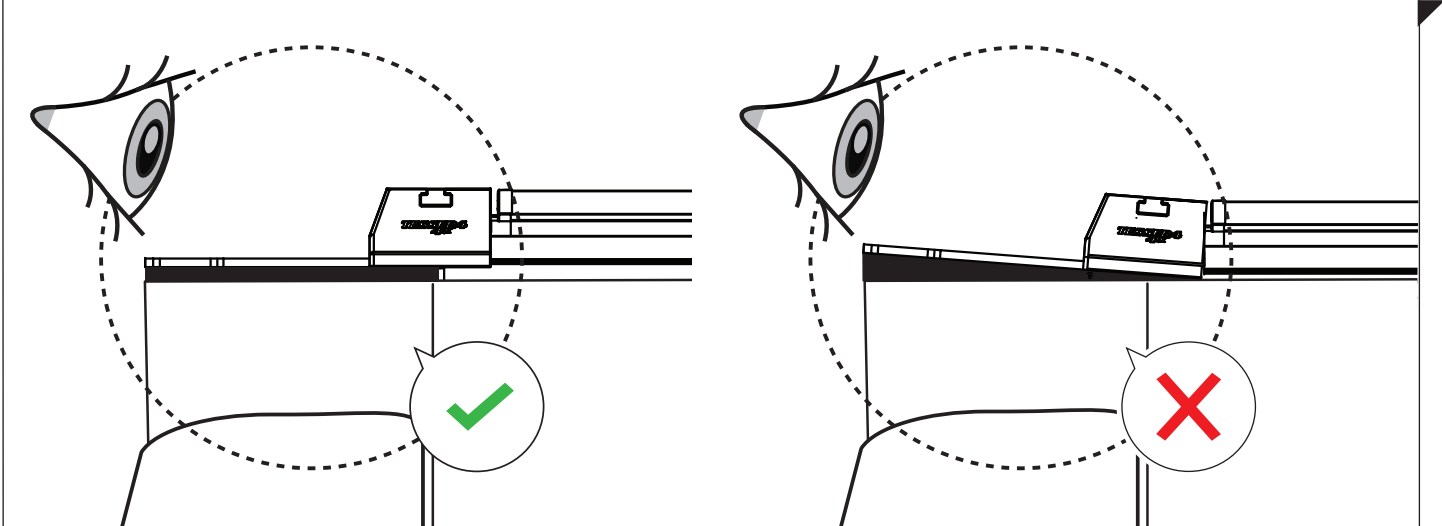
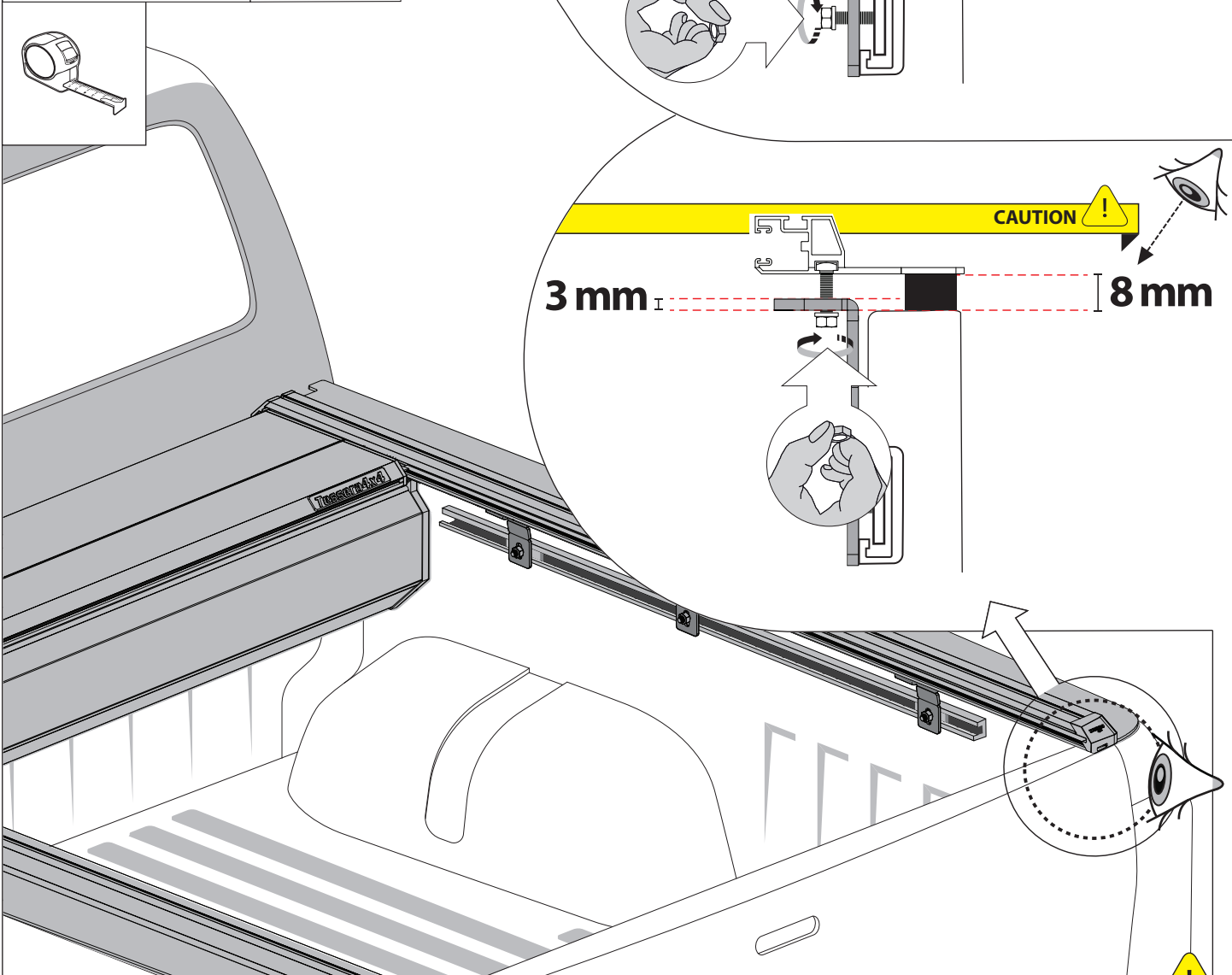
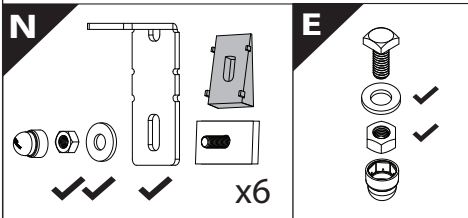


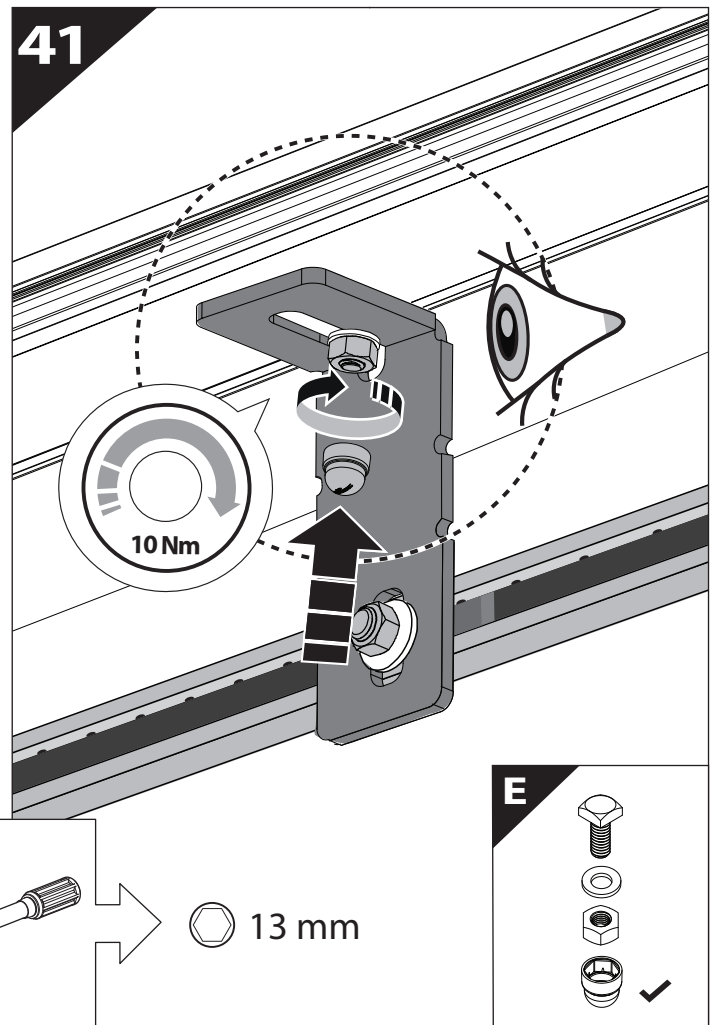
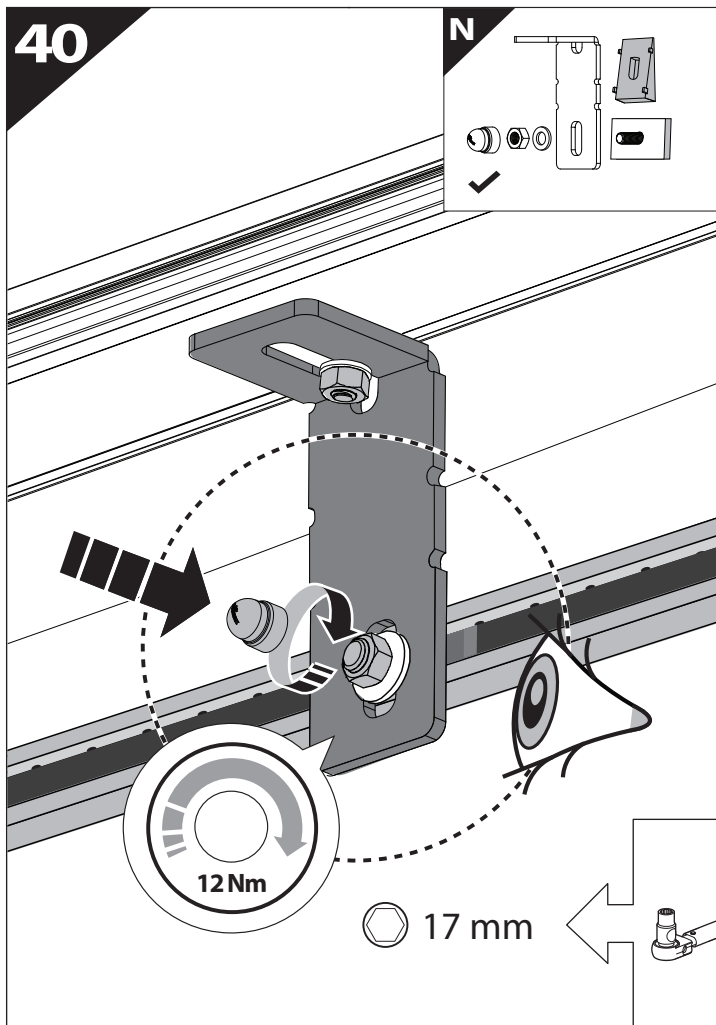
36



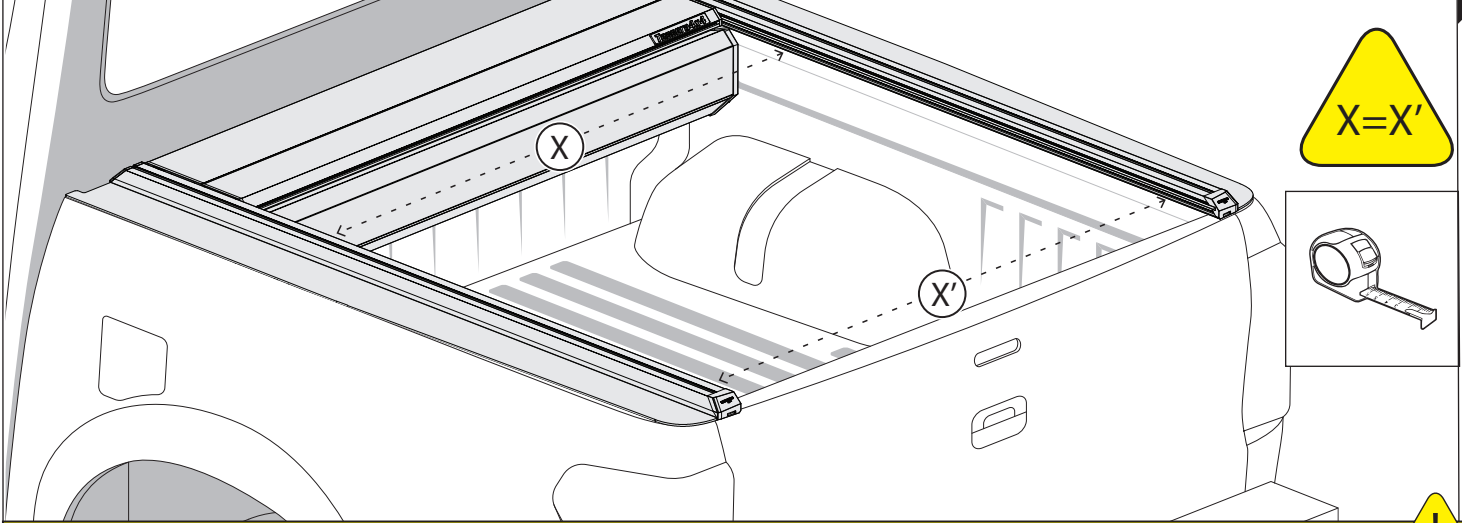


39

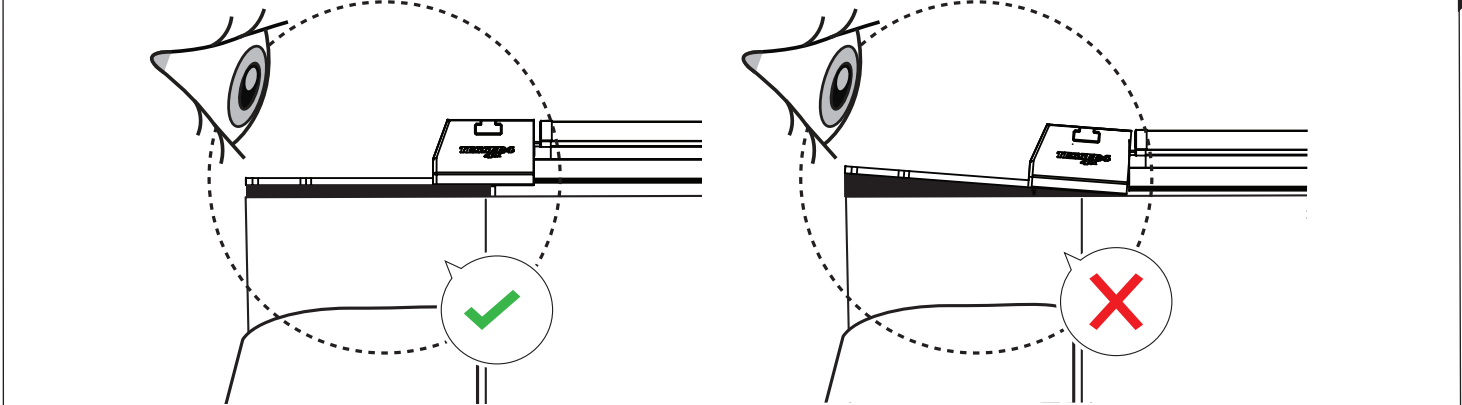




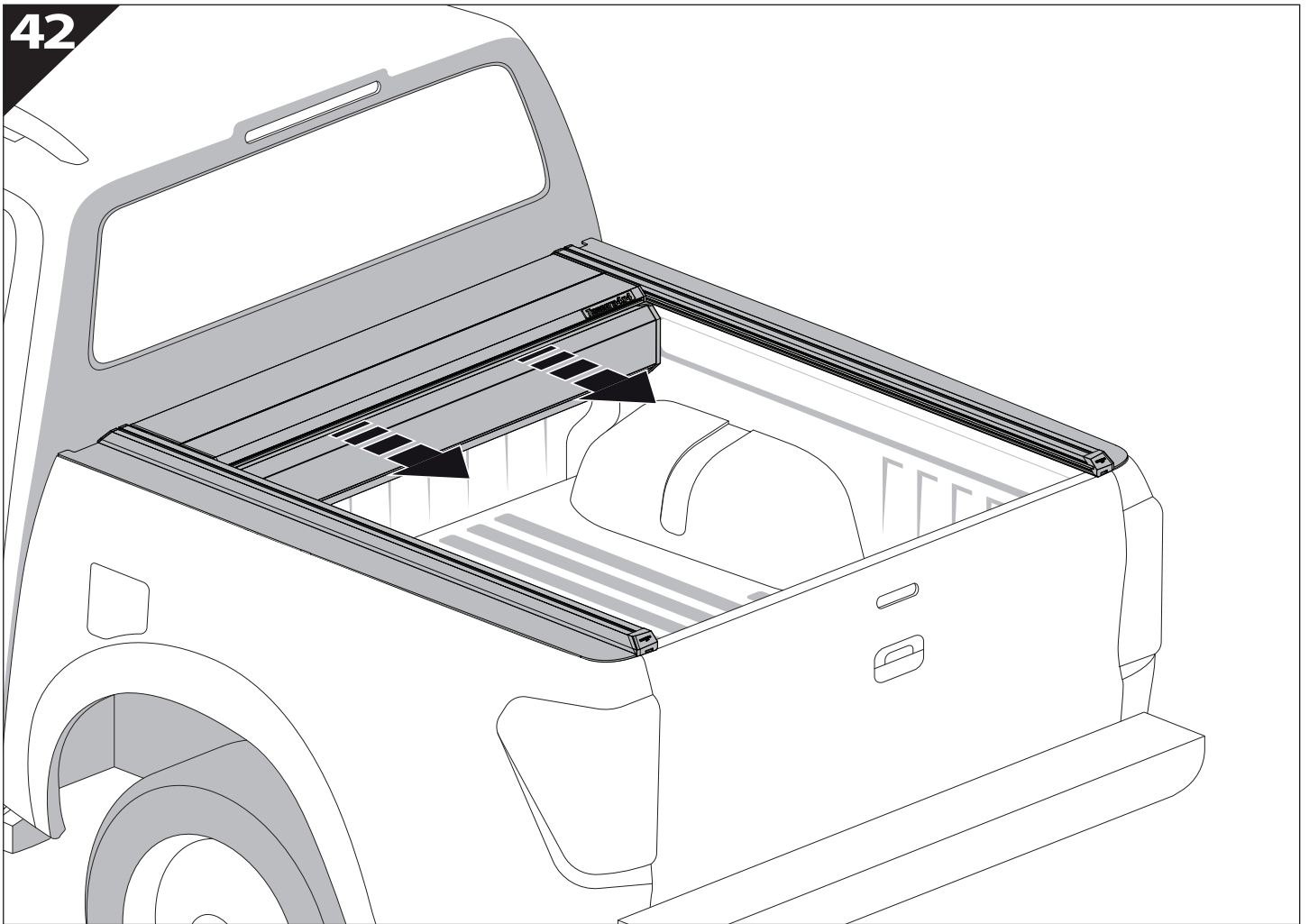
CAUTION !



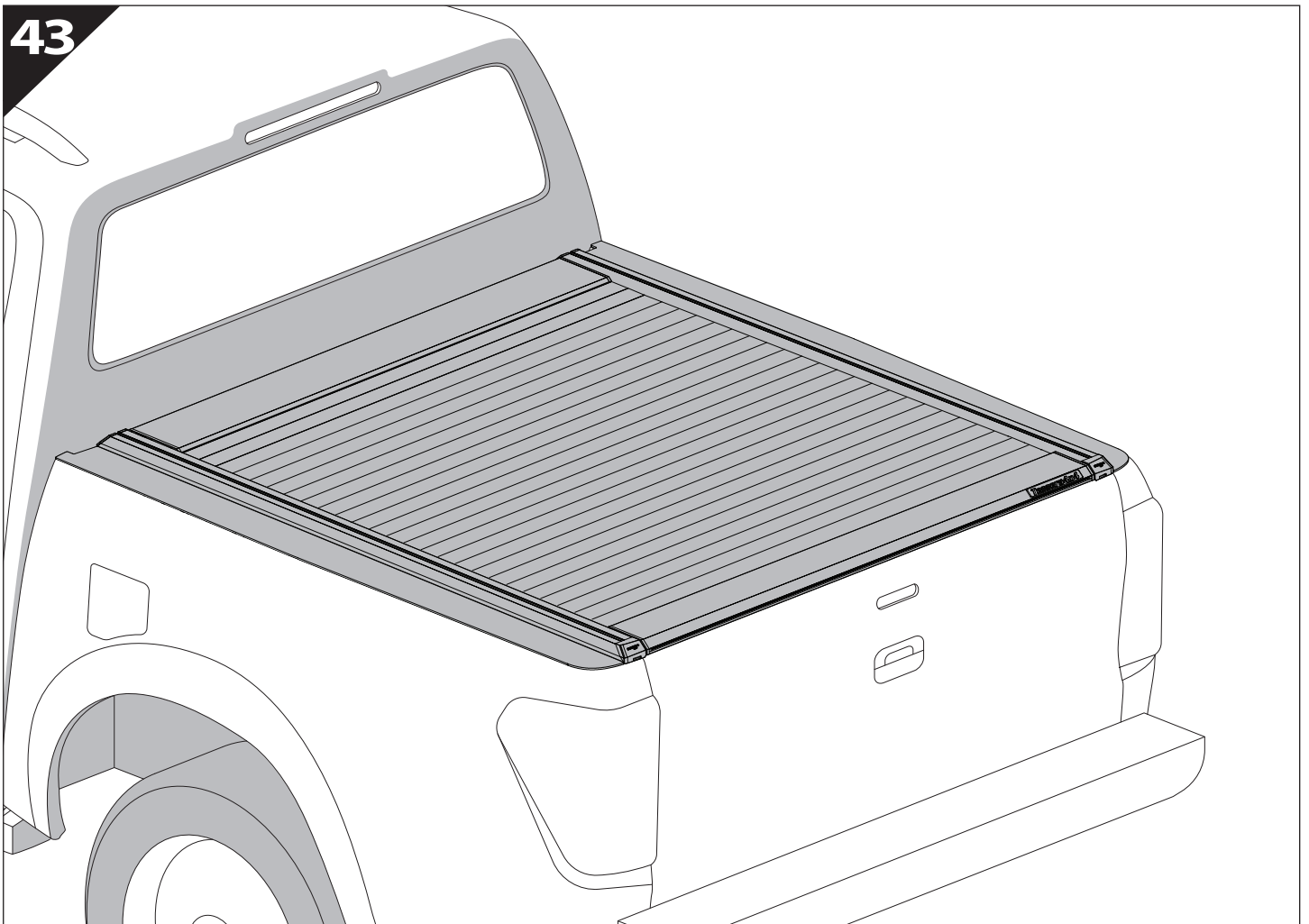
CAUTION !



42



43





GR: Οδηγίες Εγκατάστασης
GB: Installation manual
SF: Asennusohje
F: Notice de montage
PL: Instrukcja montażu
NL: Installatie-instructies
TR: Montaj Talimatı
S: Monteringsanvisning
E: Instrucciones de montaje

H: Szerelési utasítás
P: Instruções de instalação
RUS: Инструкция по установке
N: Monteringsveiledning
D: Einbauanleitung
CZ: Návod k instalaci
I: Istruzioni de montaggio
DK: Monteringsvejledning
RO: Instructiuni de instalare

Customer Service:

+30 (210) 5541161, +30 (210) 5541154 (08:00 - 16:00 EET)

Support department:

info@gianso.gr

Website:

www.tessera4x4.com

Address:

19.5 km of National road Athens-Korinthos (Elefsina) Greece, P.C: 19200