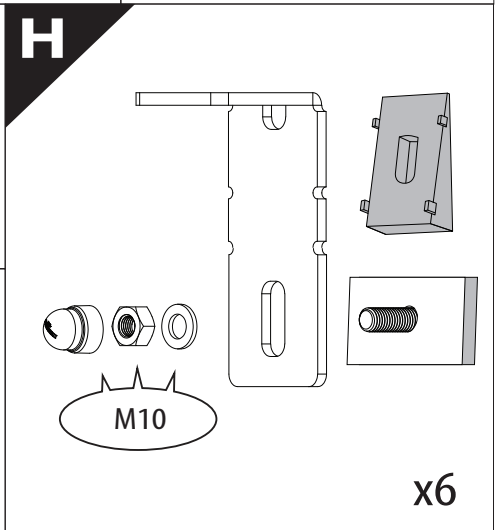
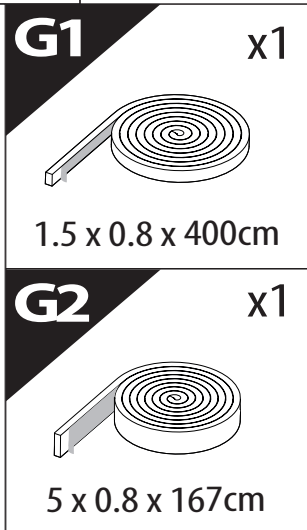
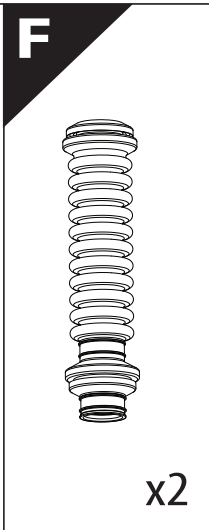
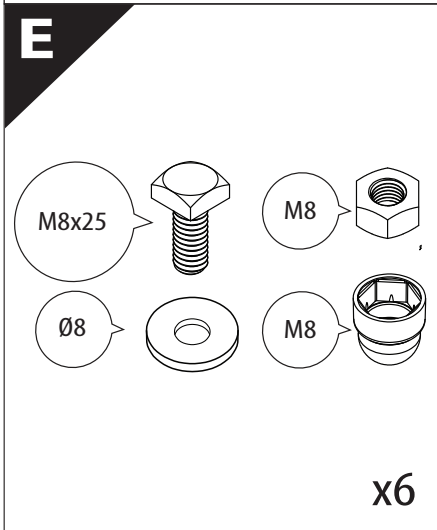
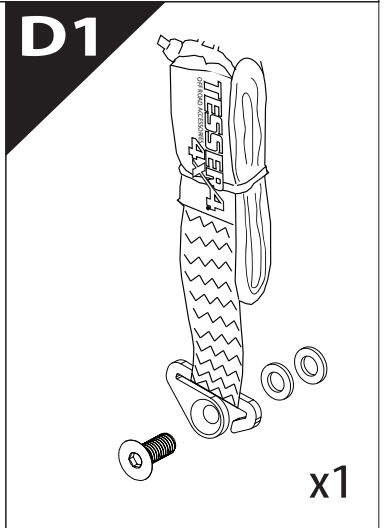
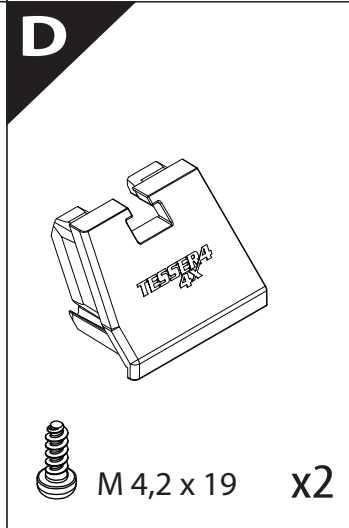
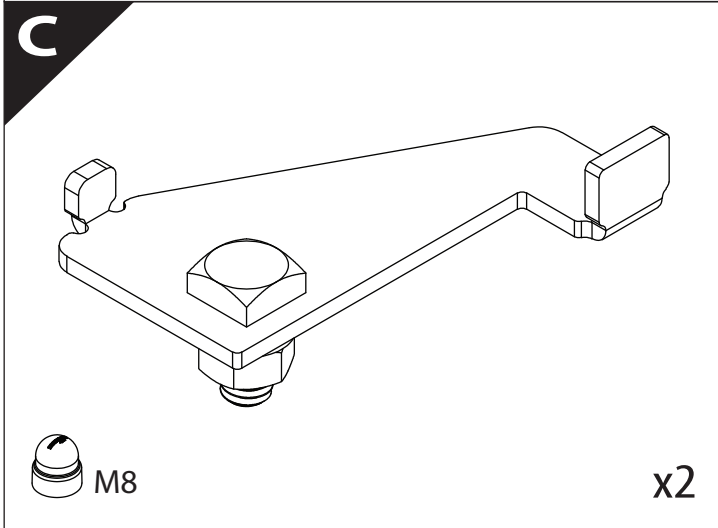
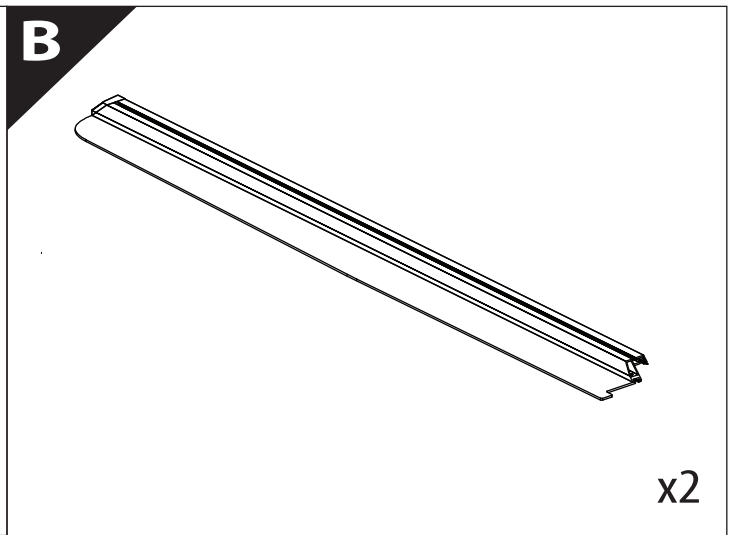
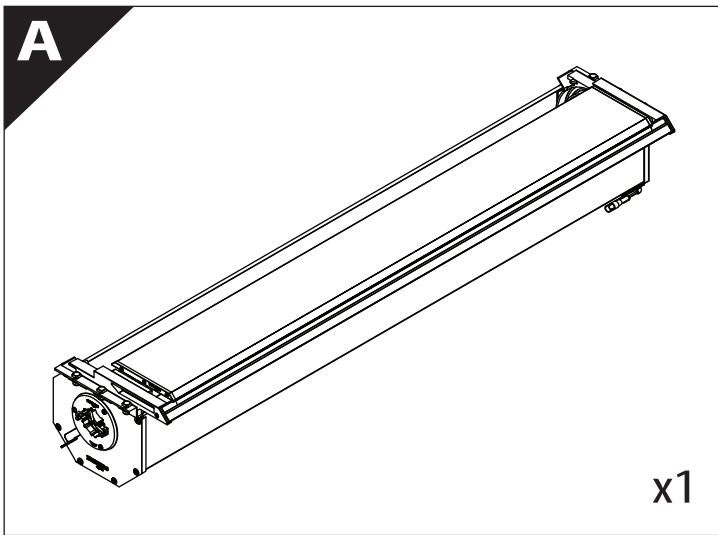
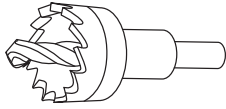




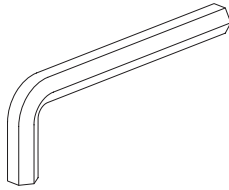
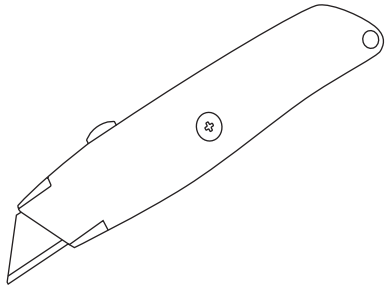
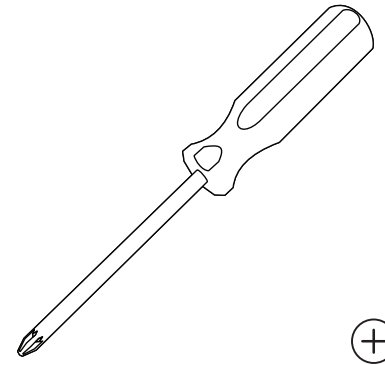
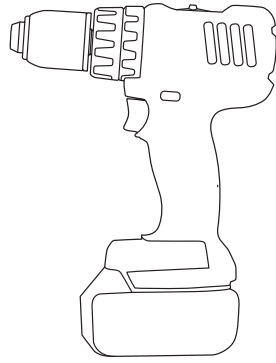
Installation Manual

| PART NUMBER(S) | Model Year |
|-----------------------|-----------------------------------|
| TESS 1530 SE | Toyota Tacoma 2016+ |
| Cab(s) | Installation Time / Weight |
| Double Cab | 40-60 minutes / 53-57 kg |



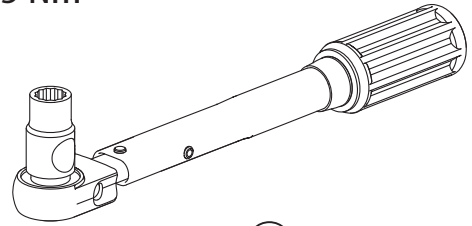


Ø 25 mm



4 mm

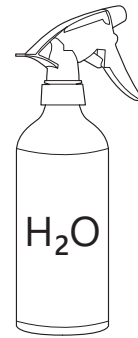
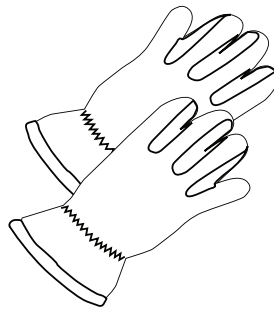
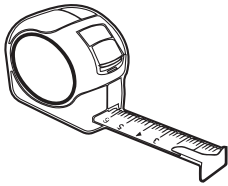
1 - 25 Nm



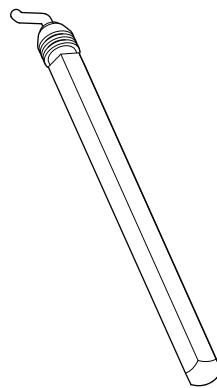
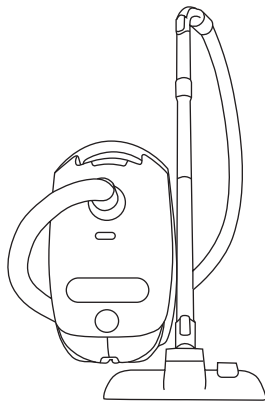
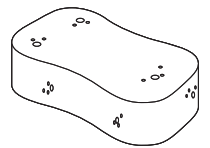
13, 17 mm



ACETONE



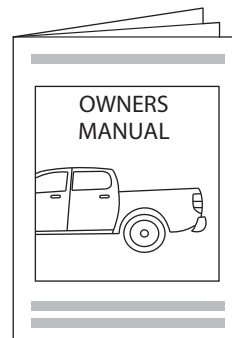
H₂O



ANTI-RUST

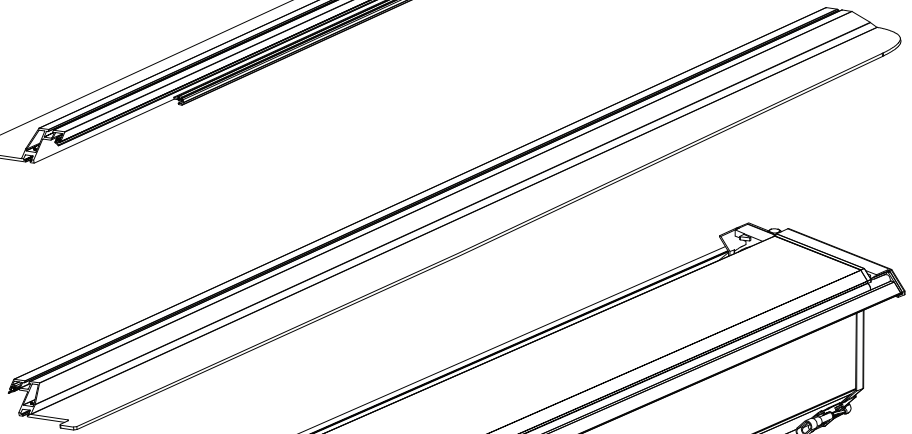


INSTALLATION
MANUAL

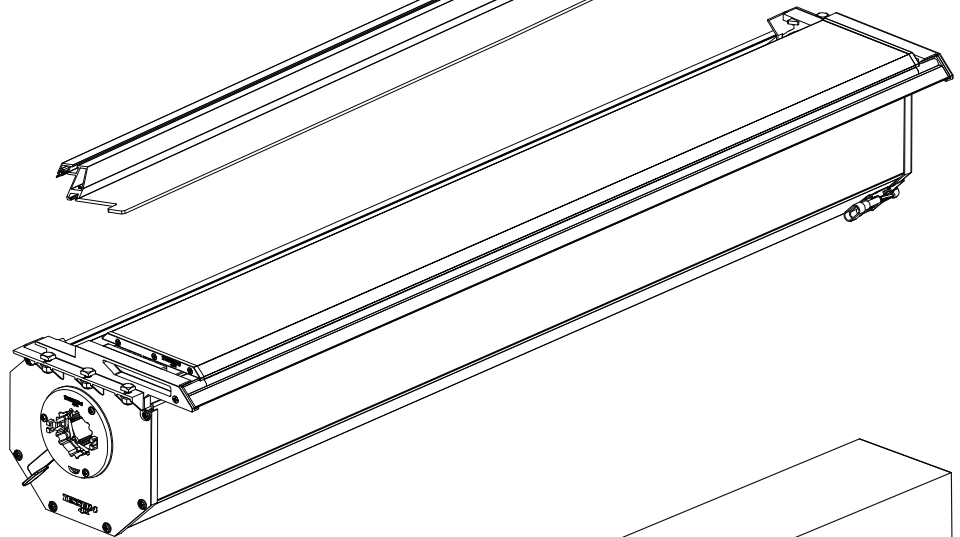


OWNERS
MANUAL

x1

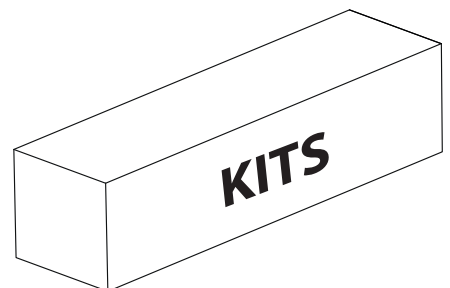


B

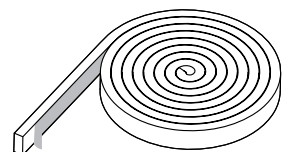


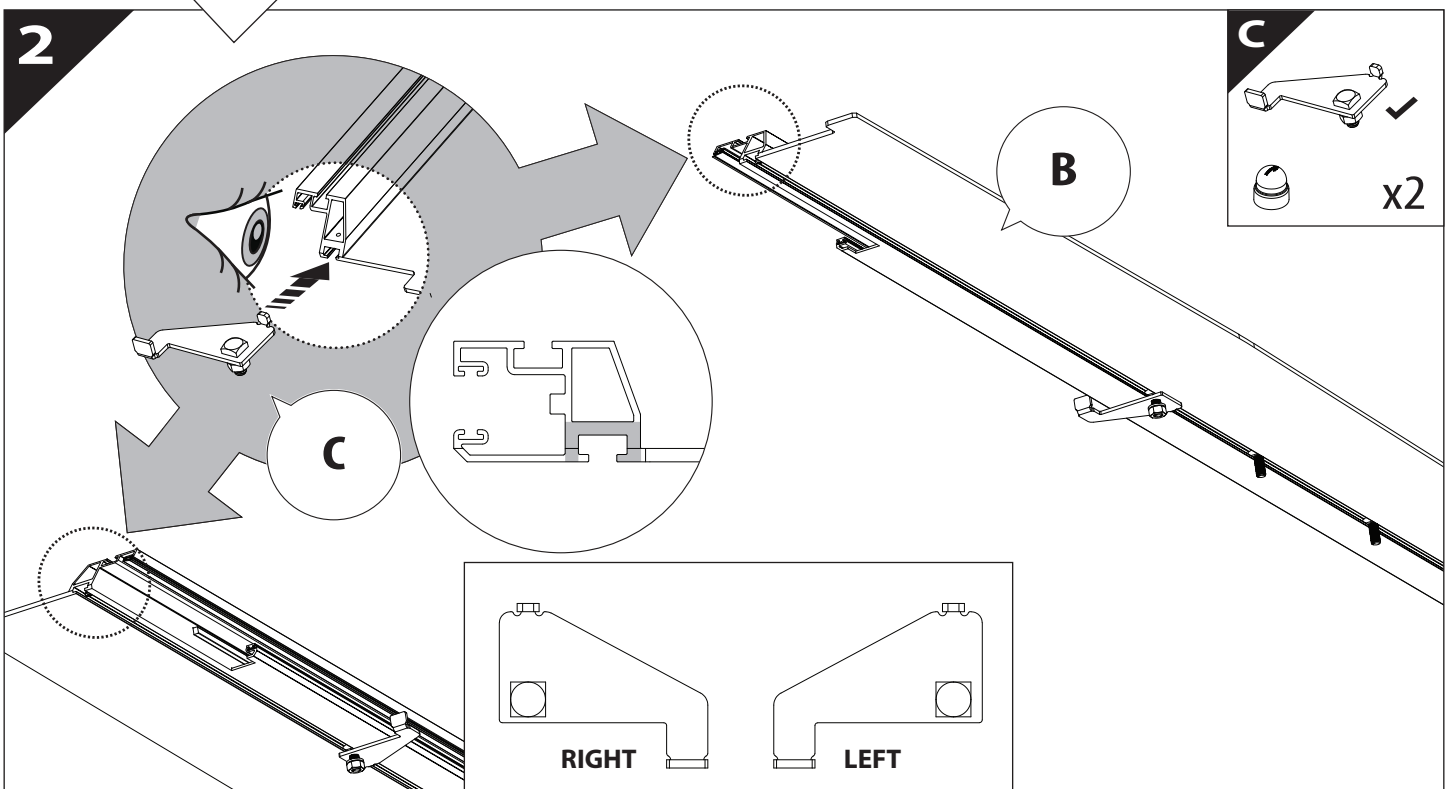
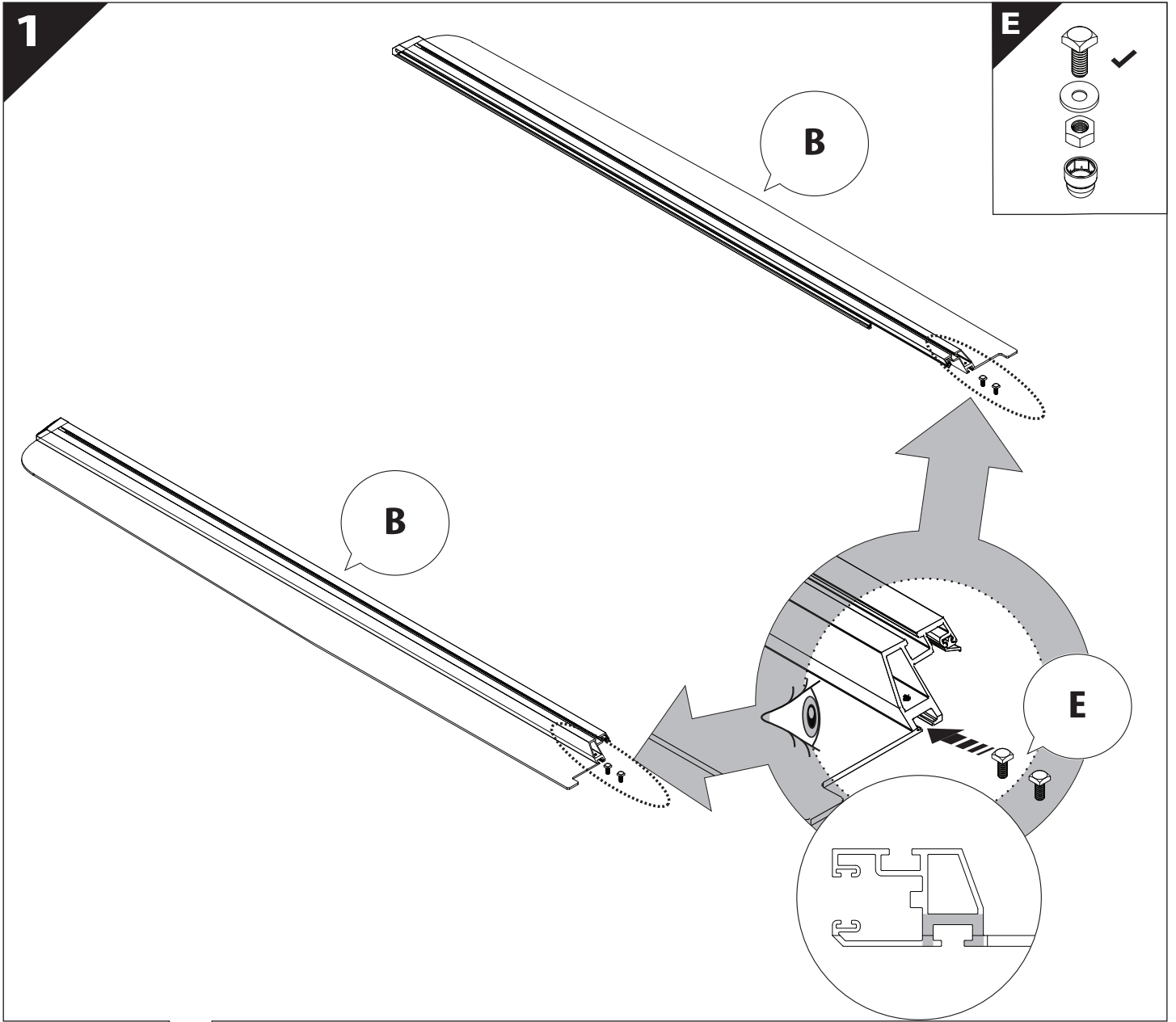
A

KITS

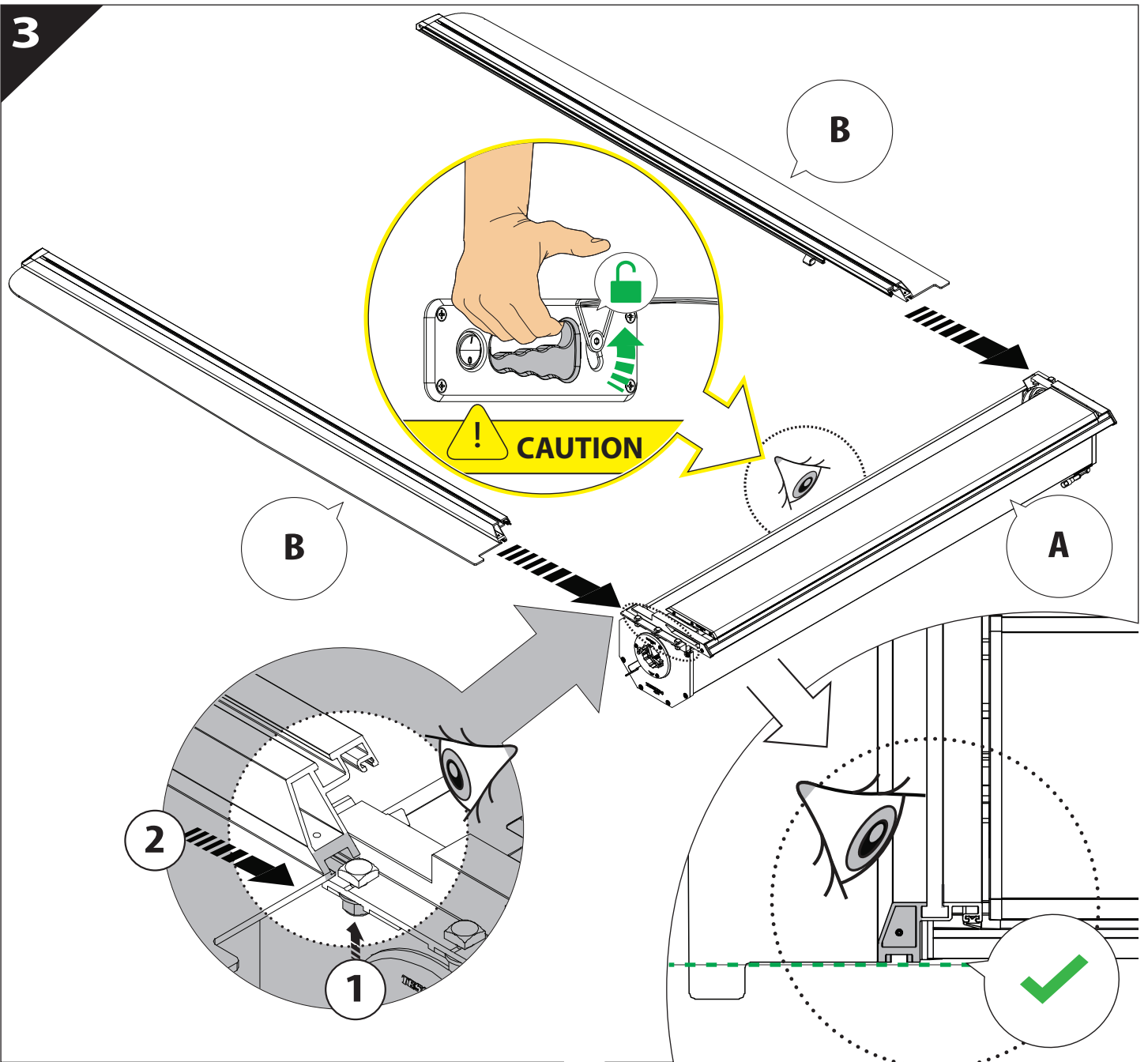


G

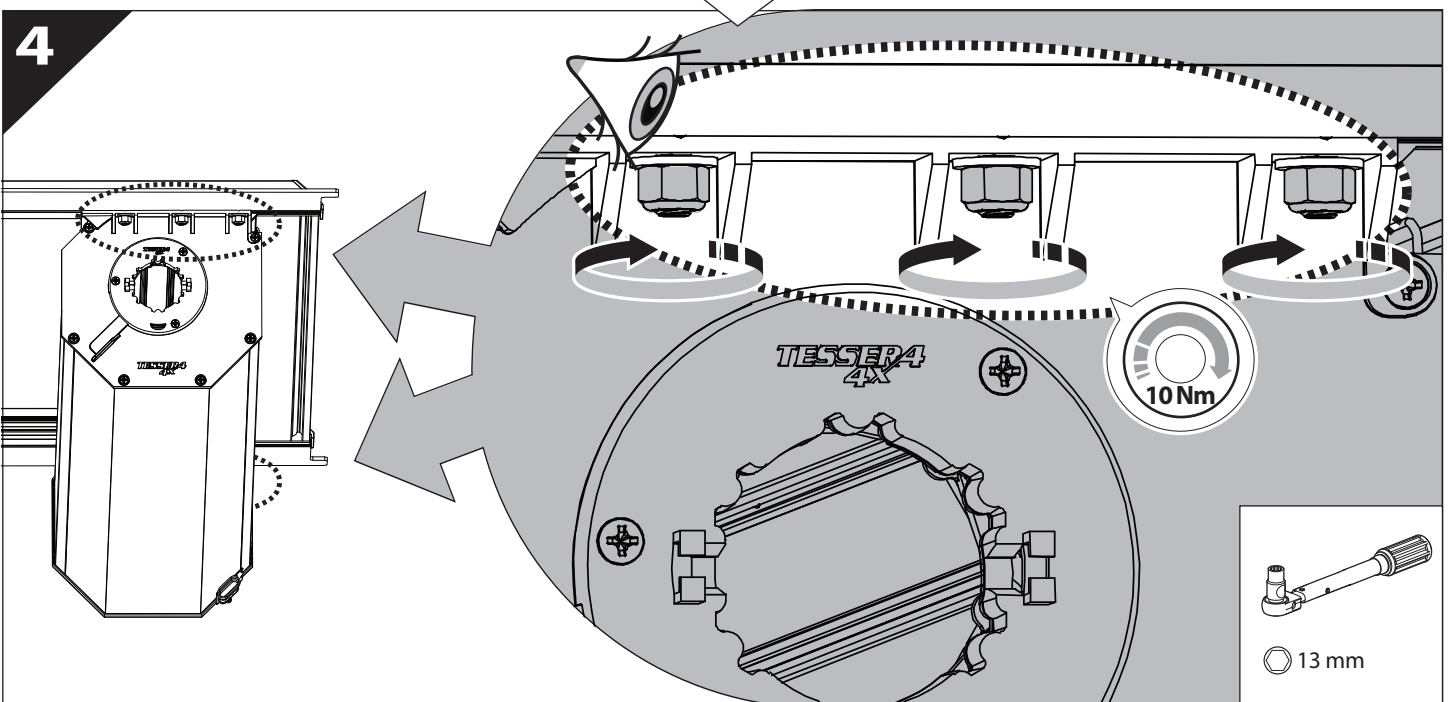


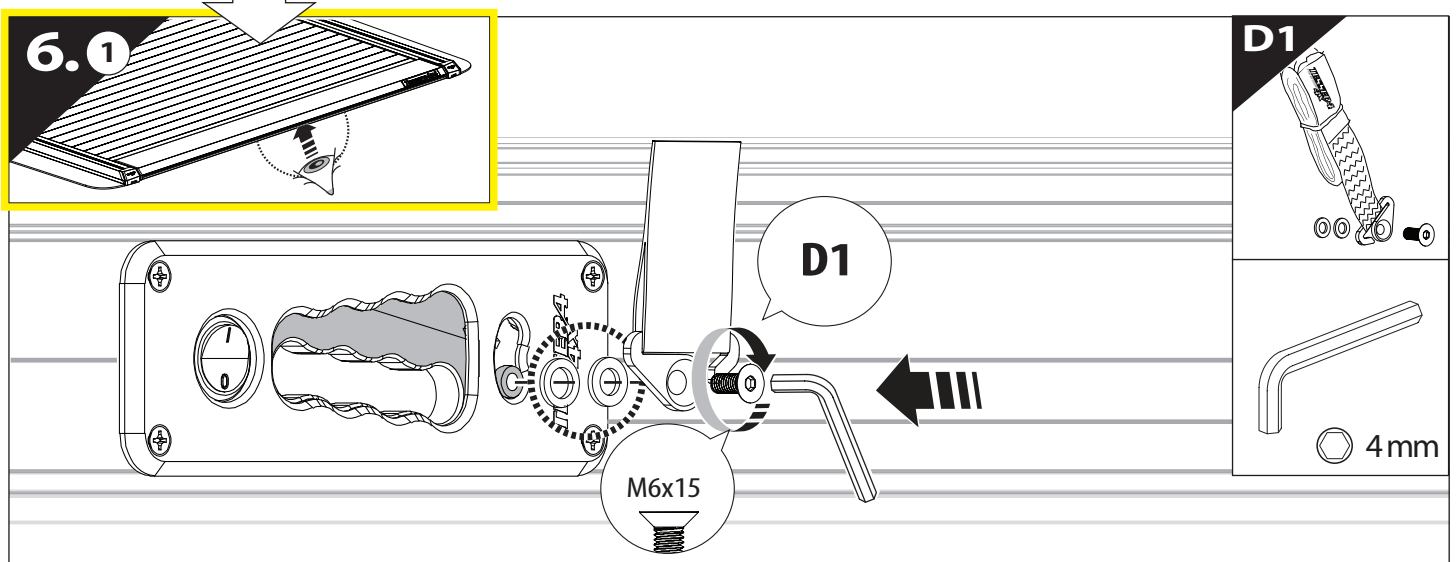
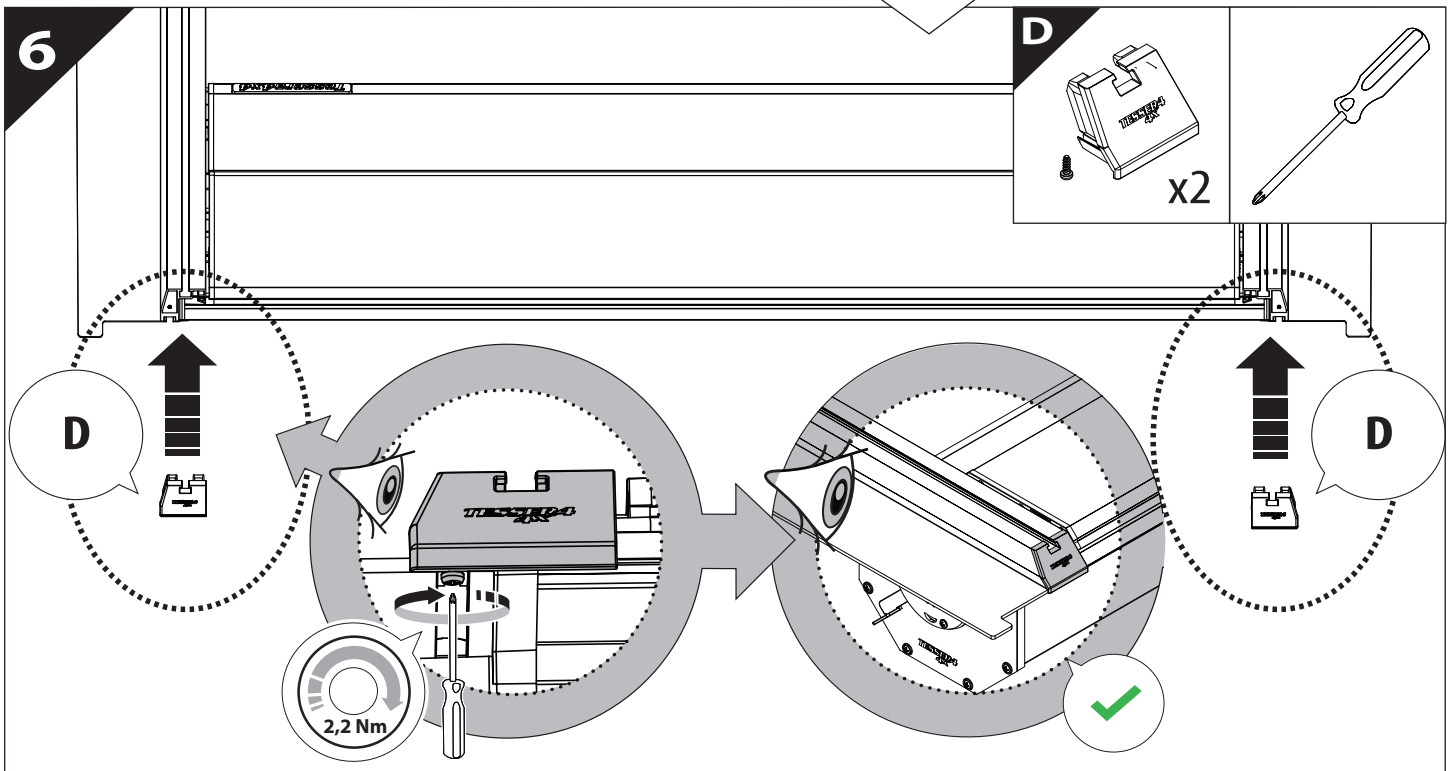
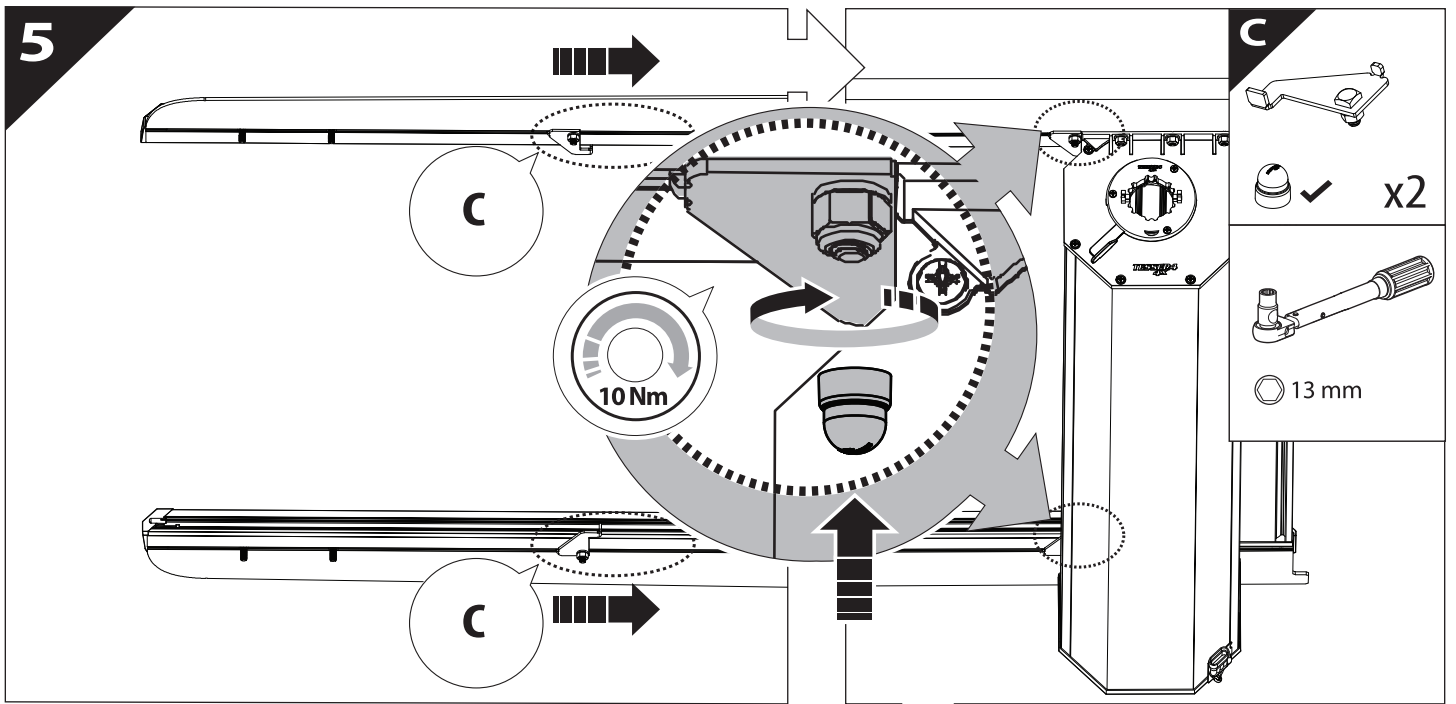


3



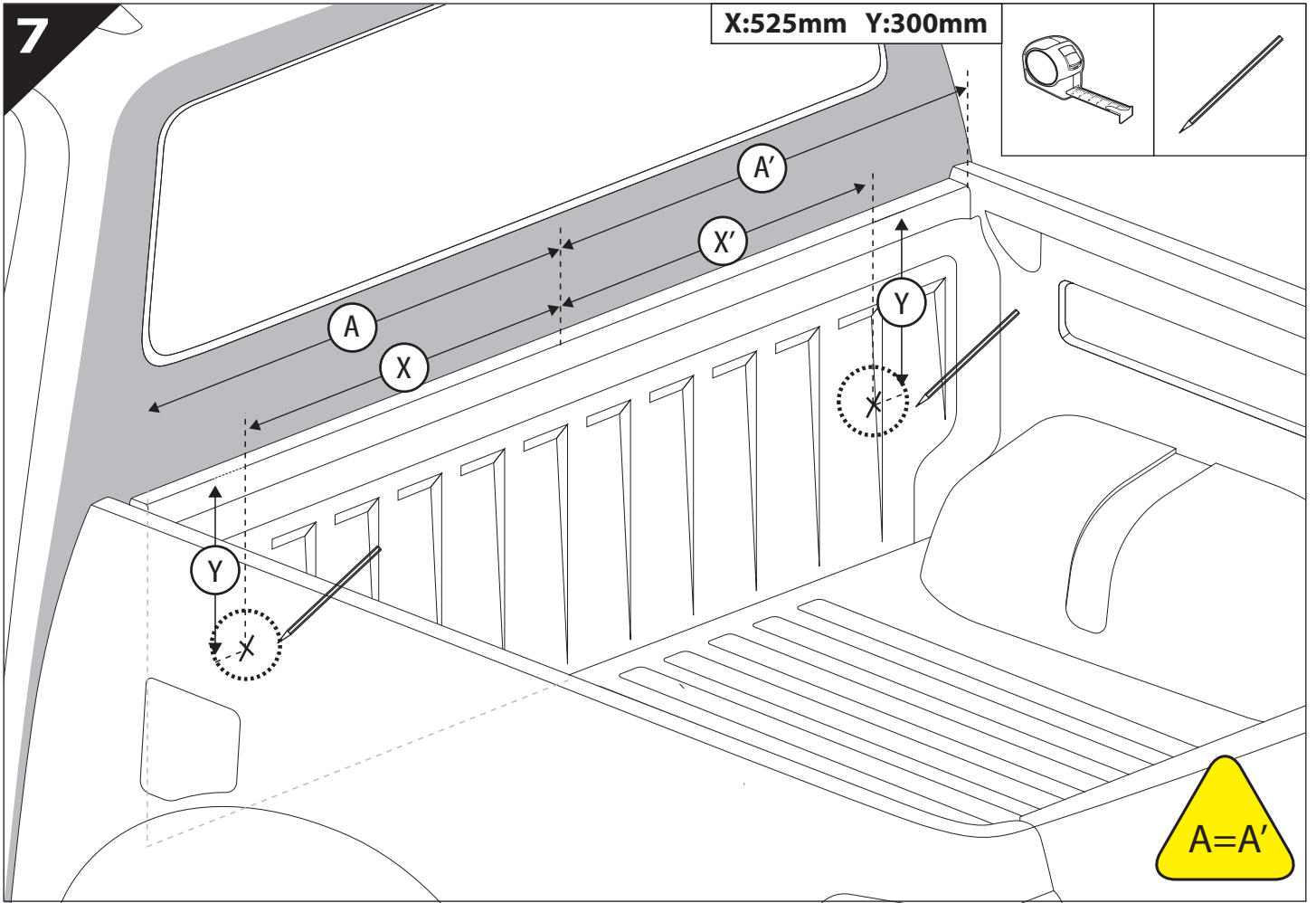
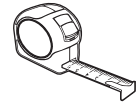
4



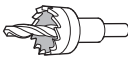


7


X:525mm Y:300mm



8

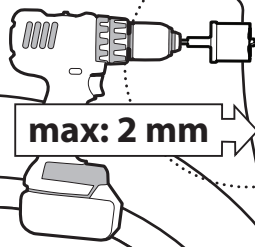


Ø 25 mm




Rust Protection

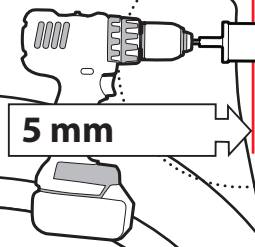
CAUTION



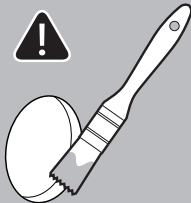

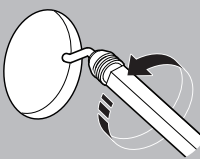
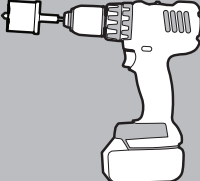

max: 2 mm



CAUTION

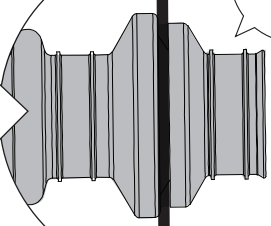
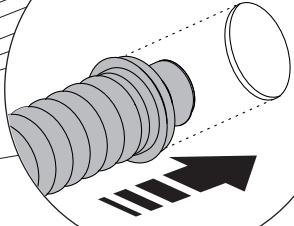



5 mm



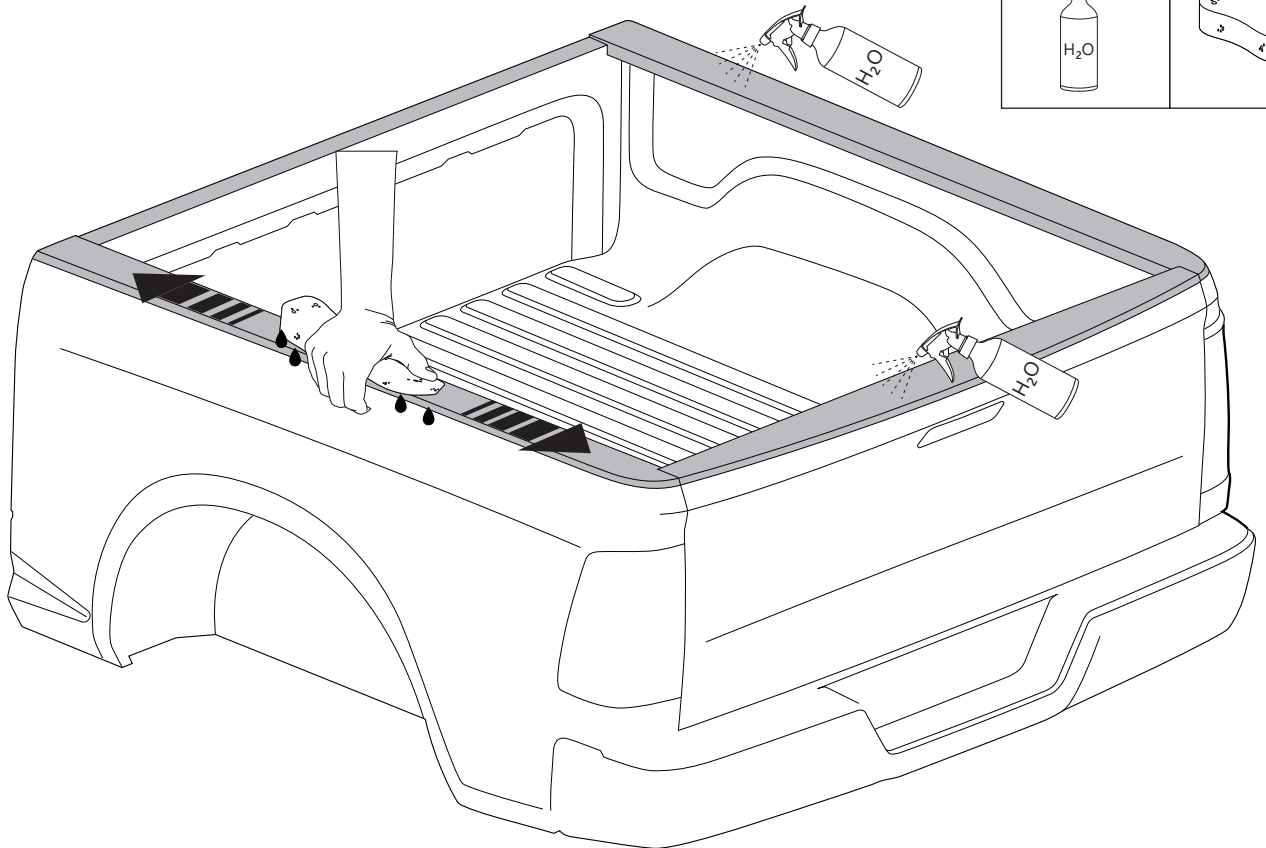
9

F

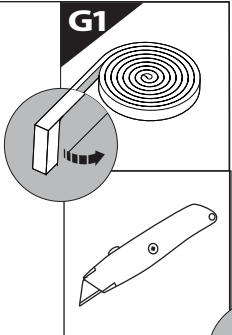
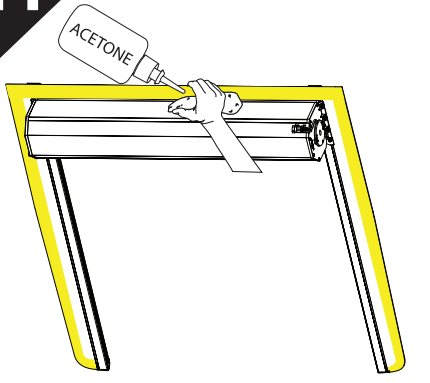


F

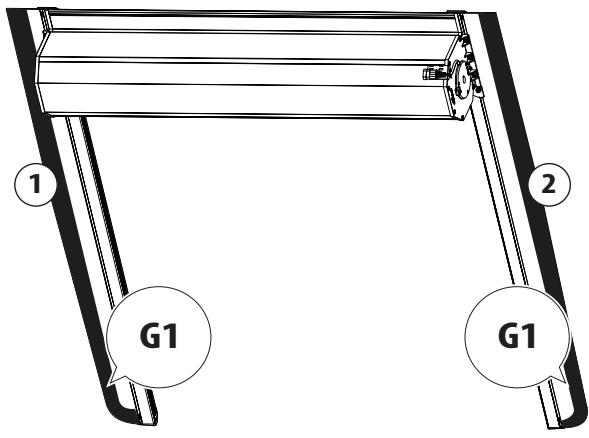
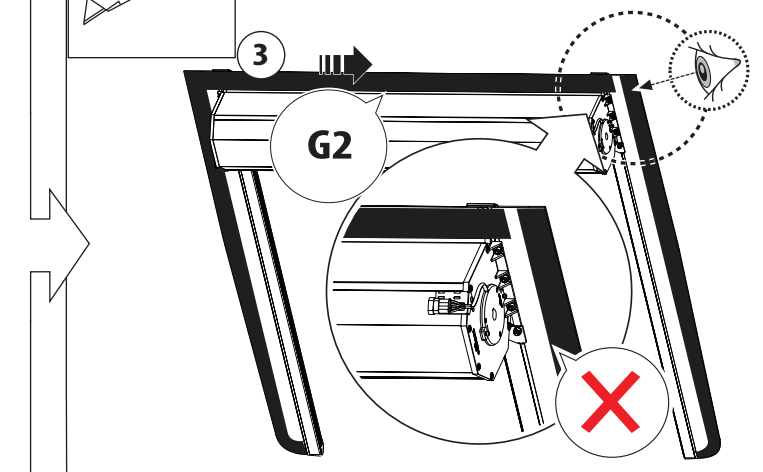
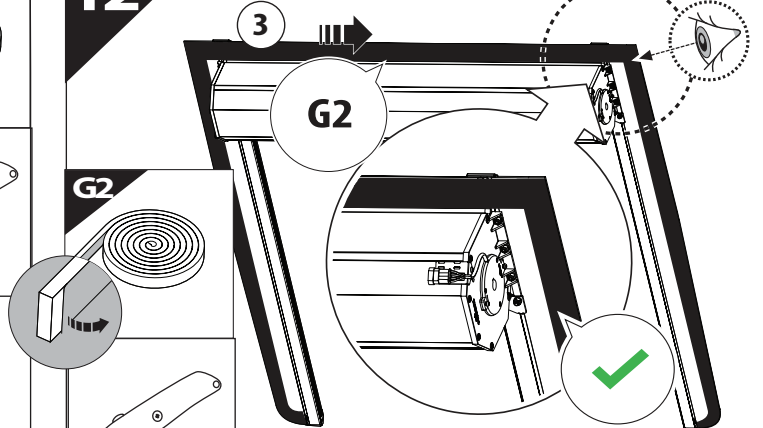
10

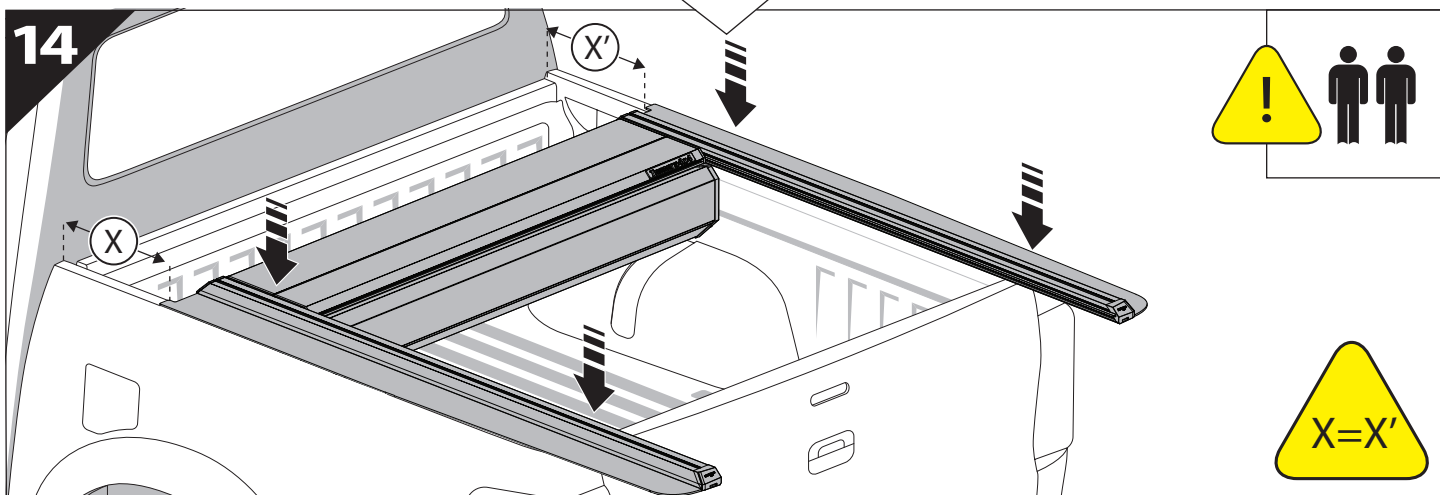
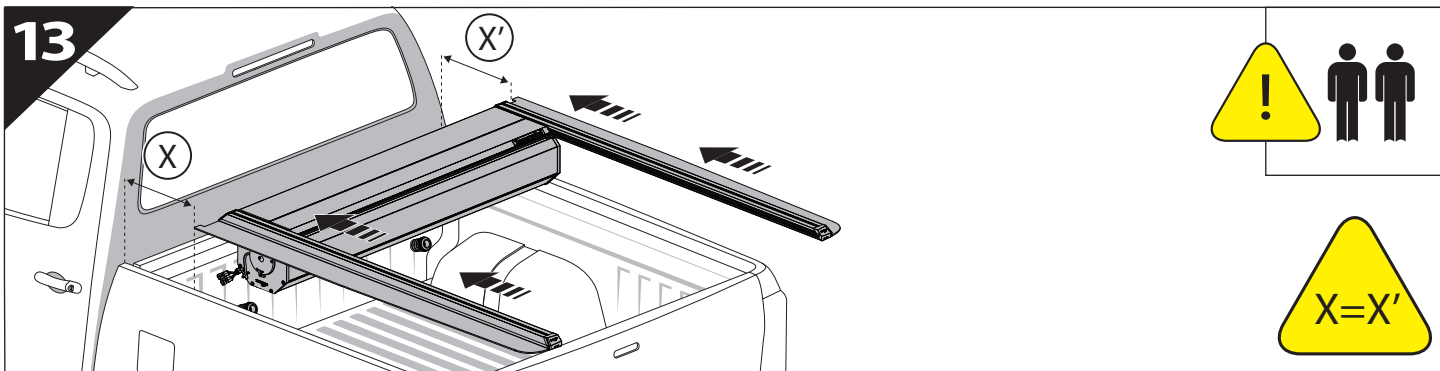


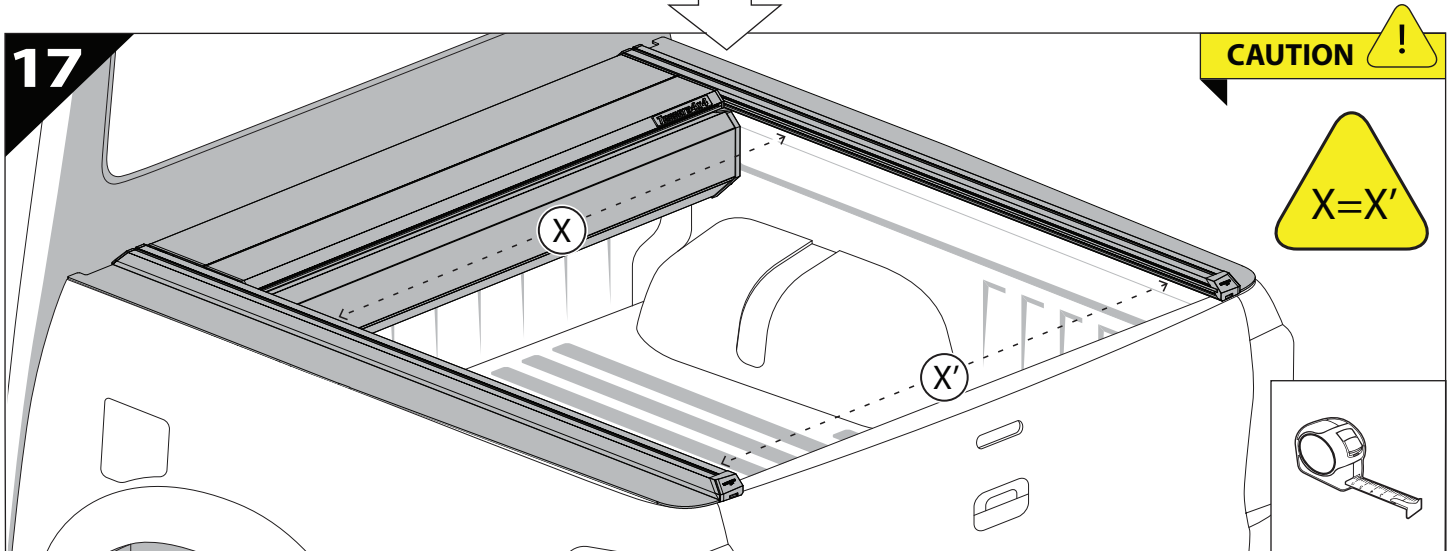
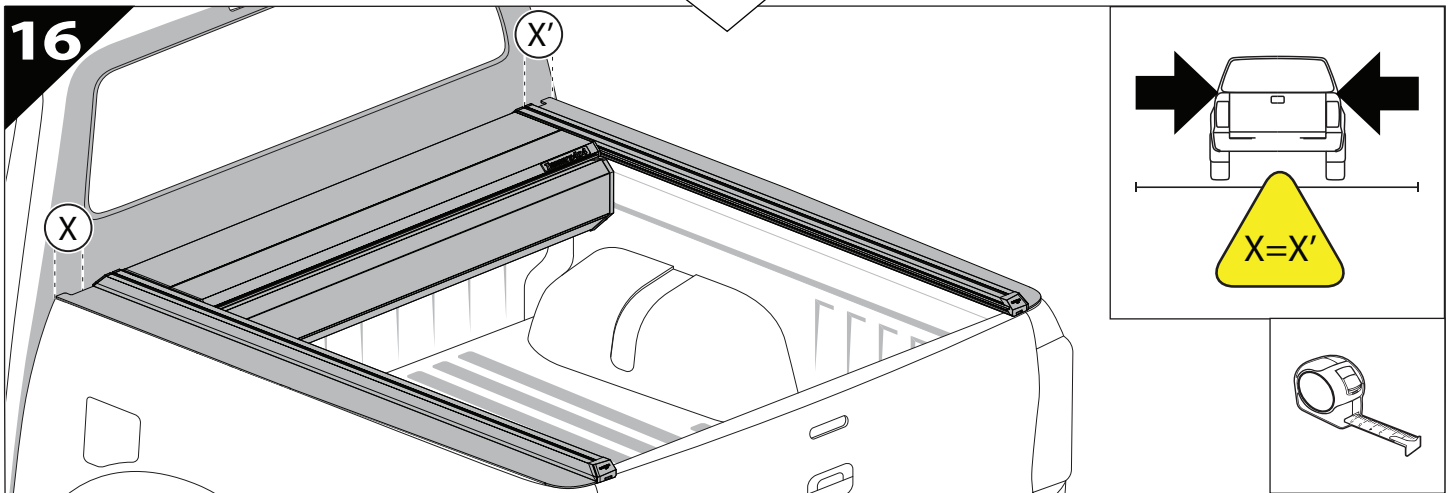
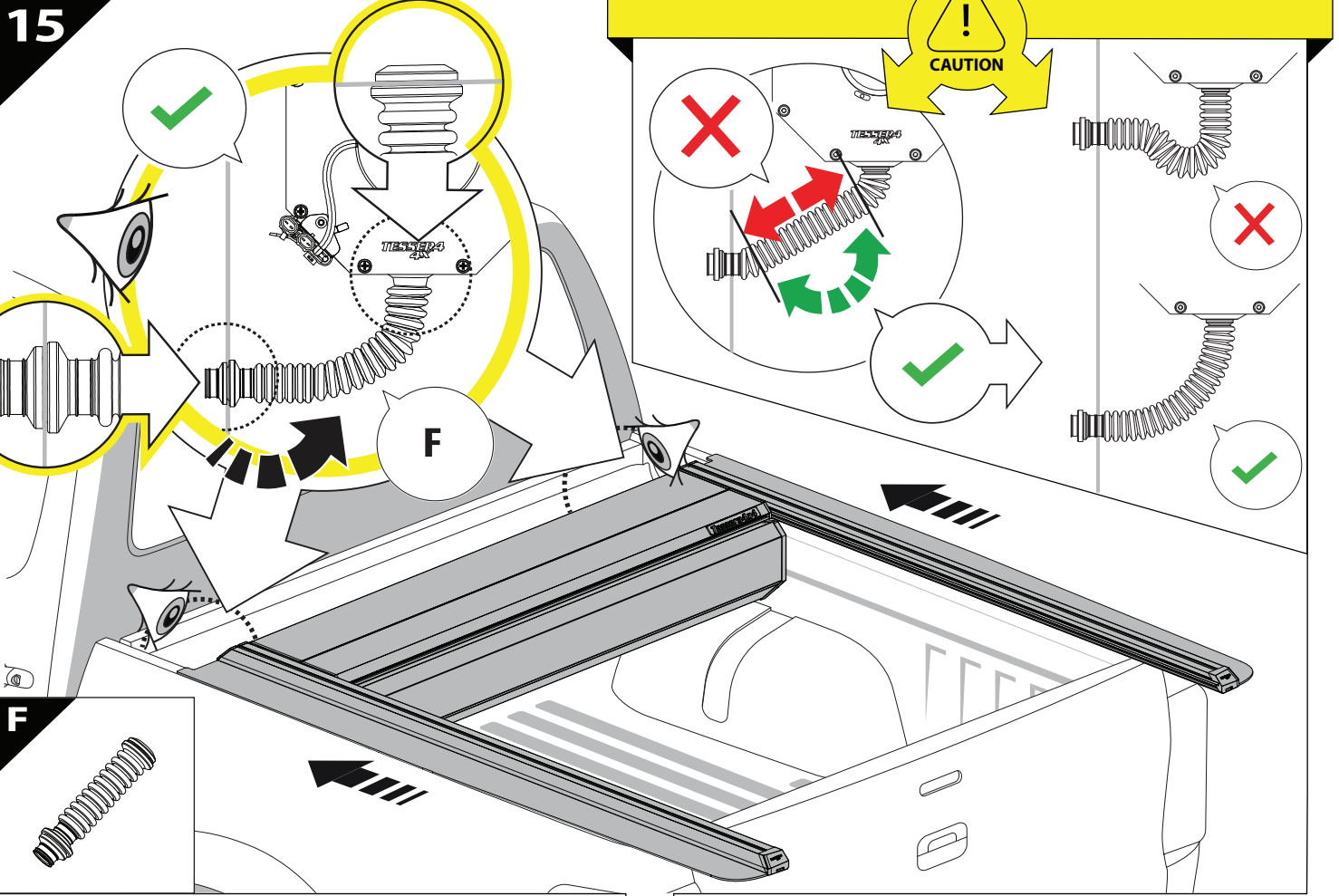
11



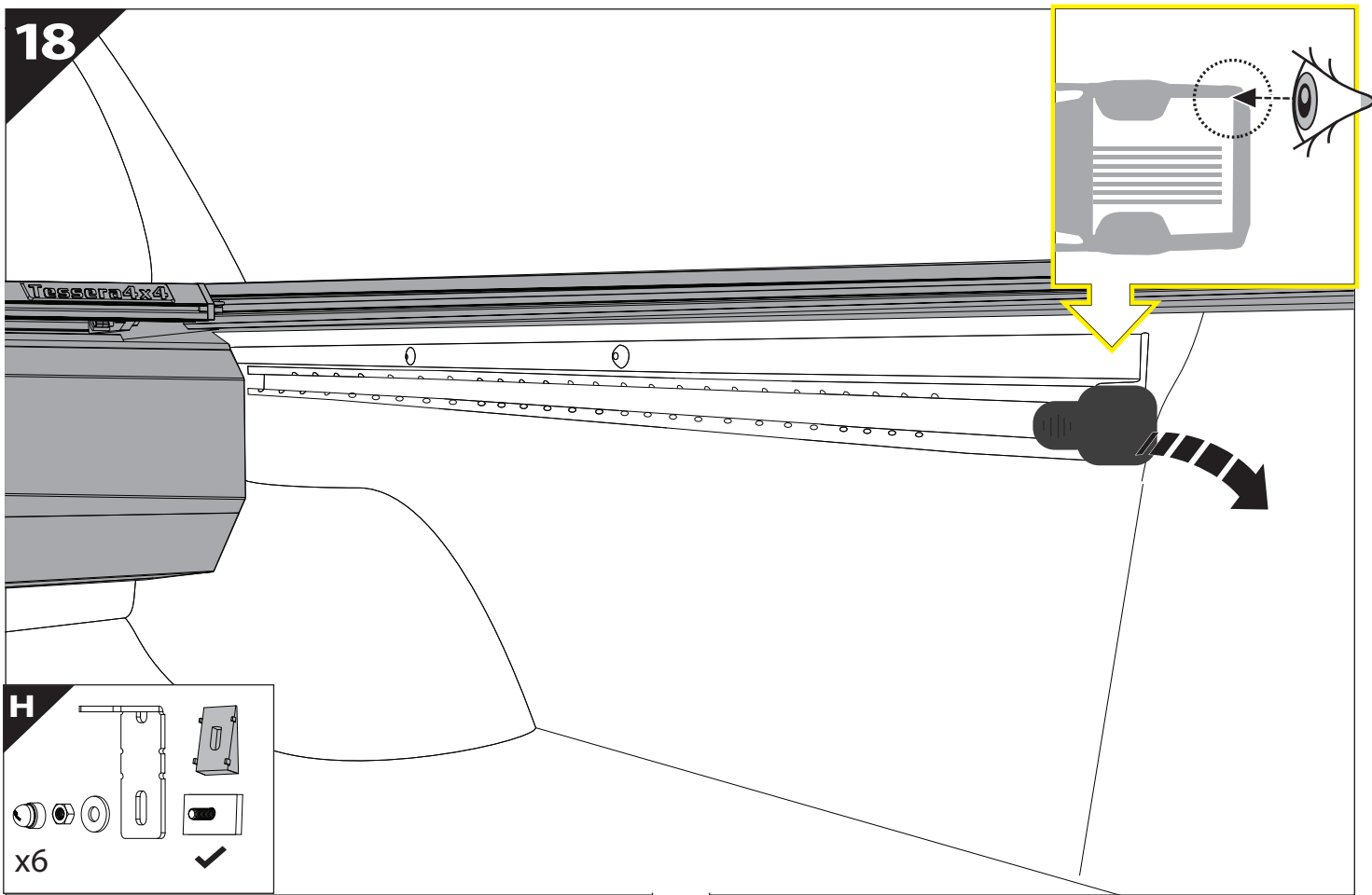
12



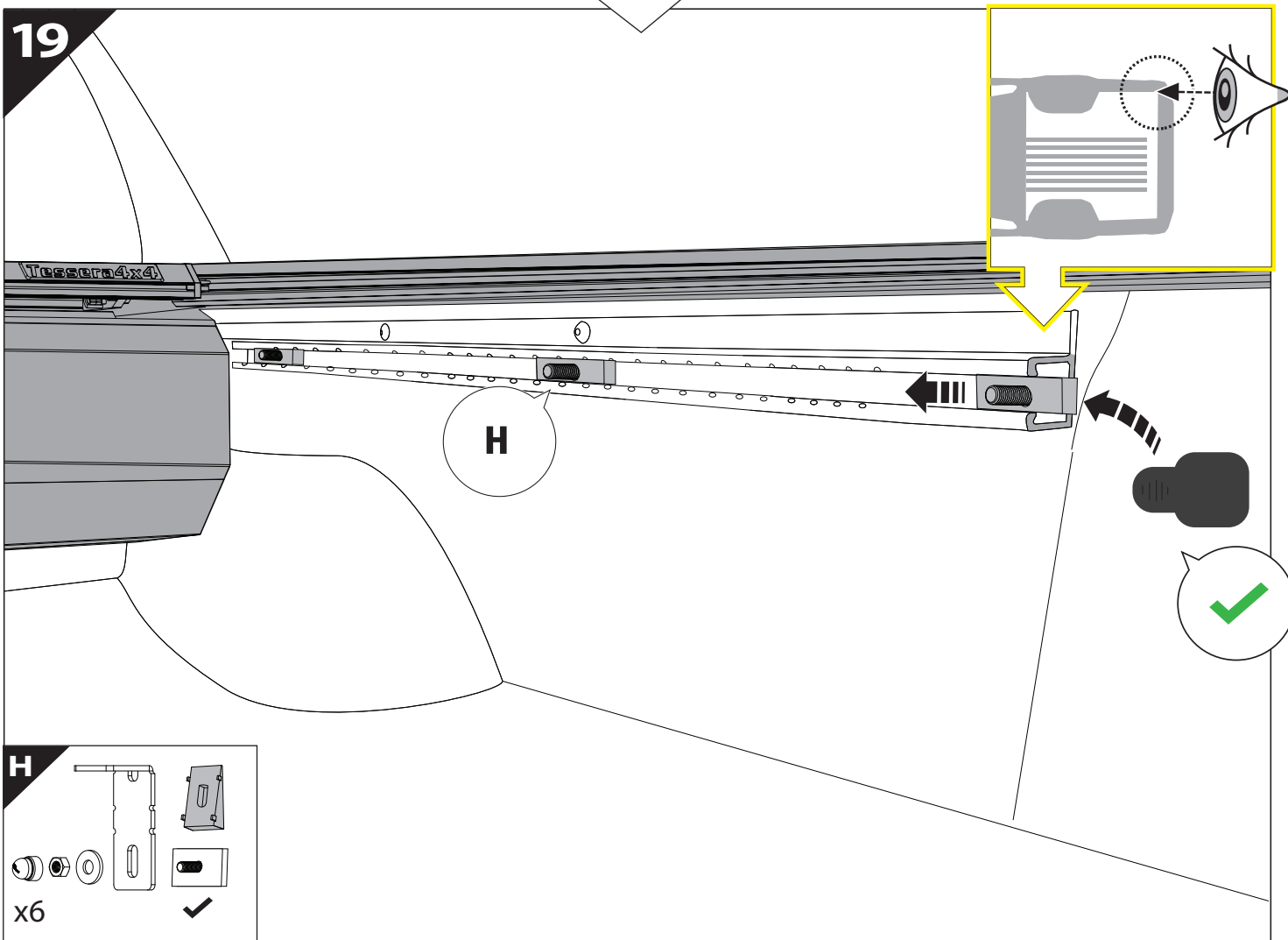




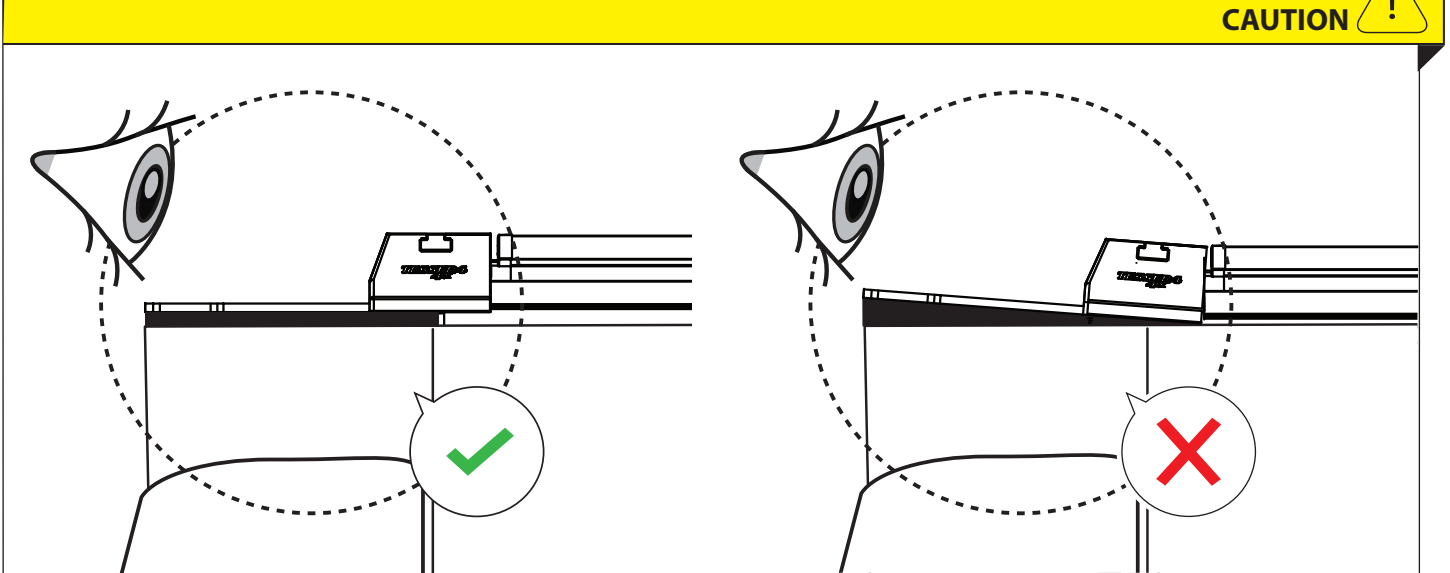
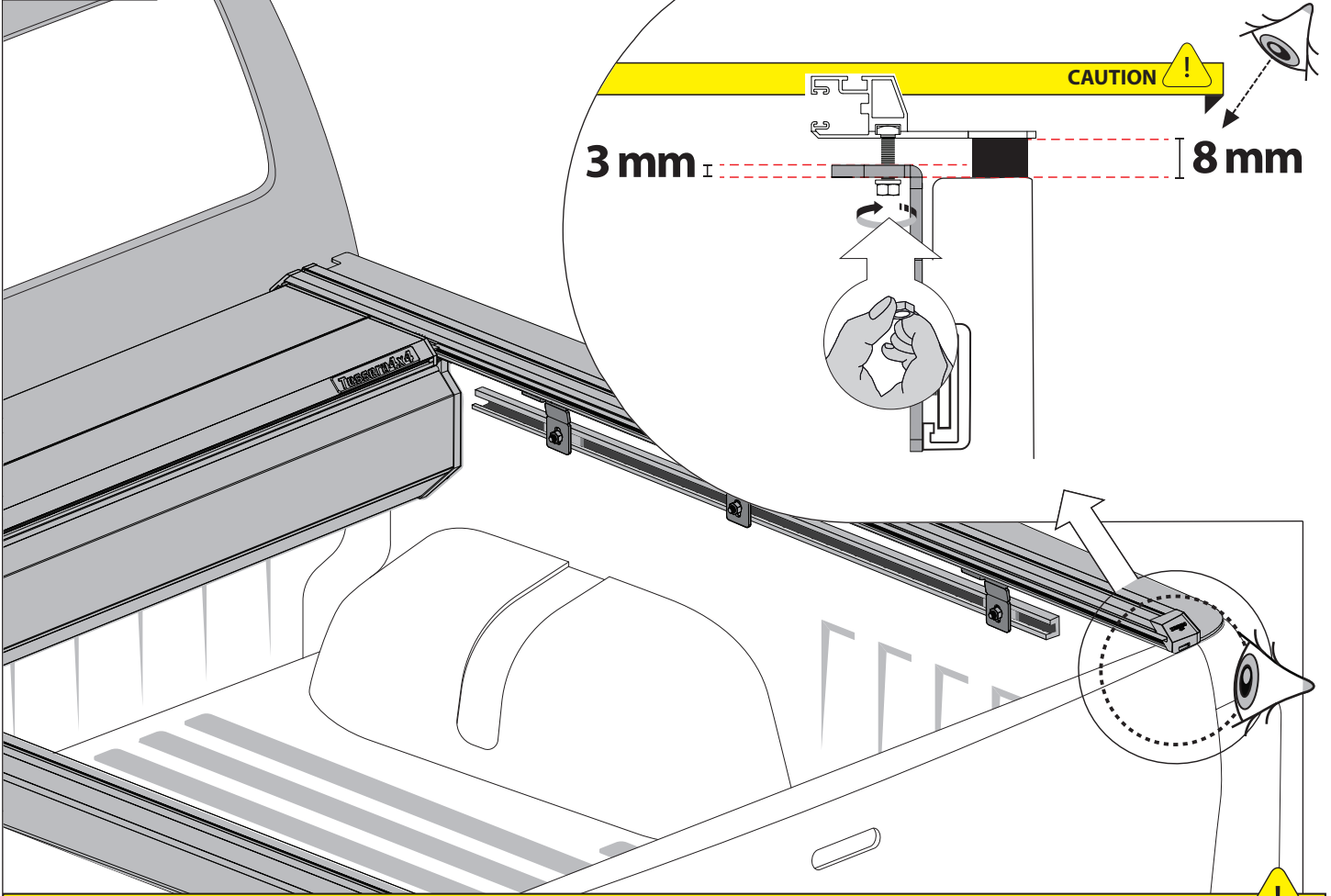
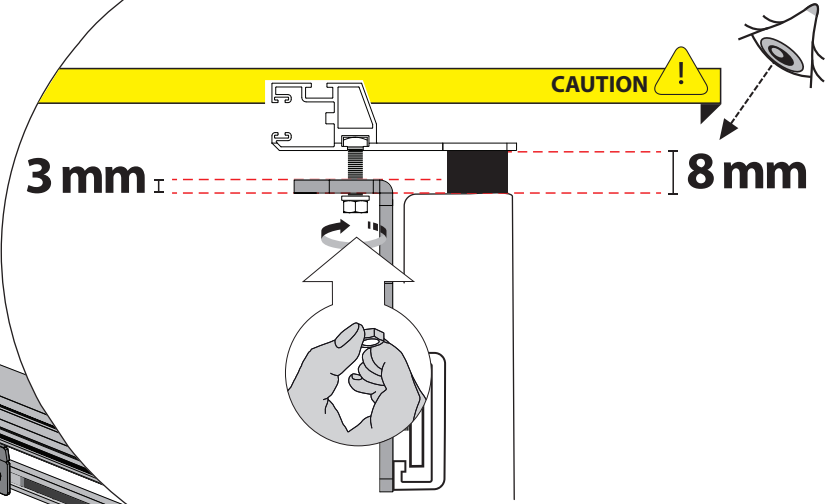
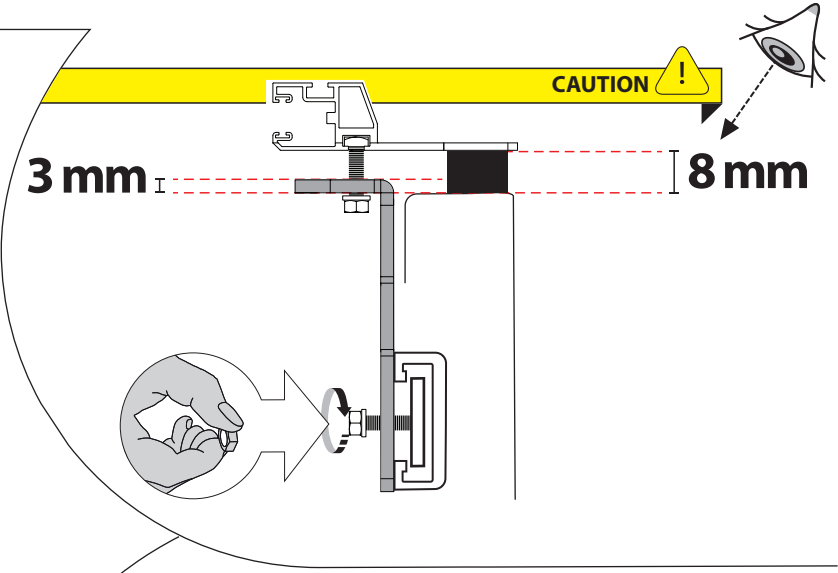
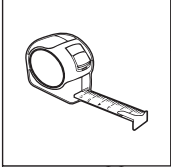
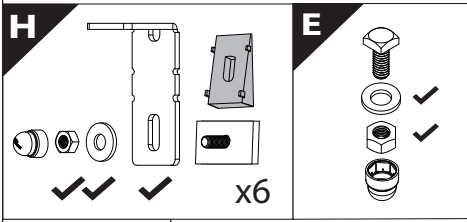
18

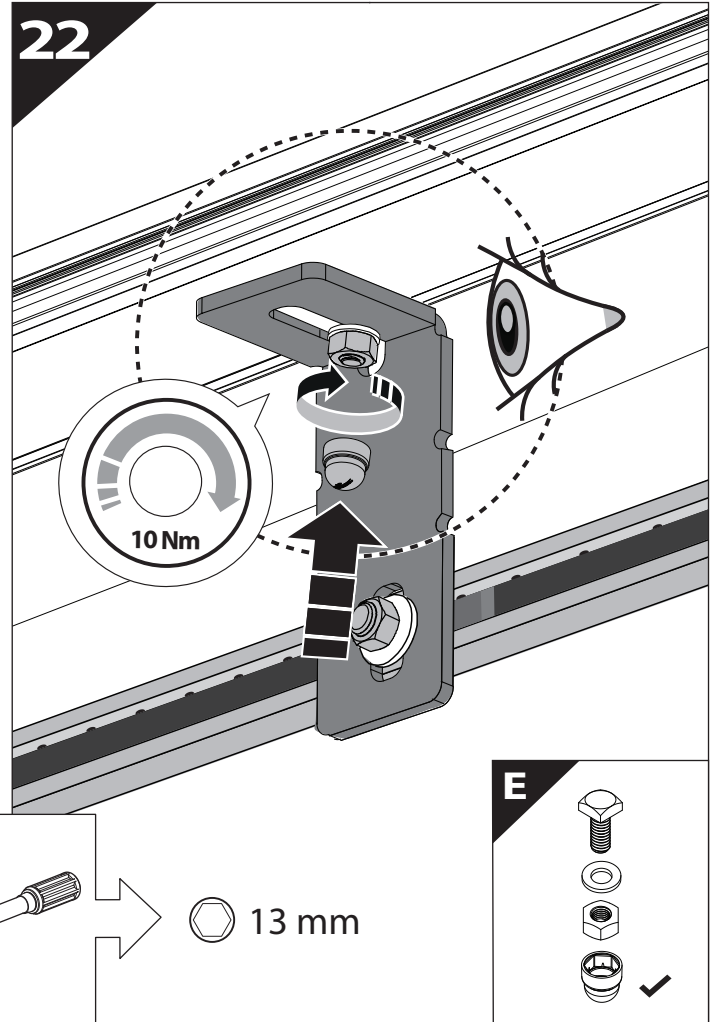
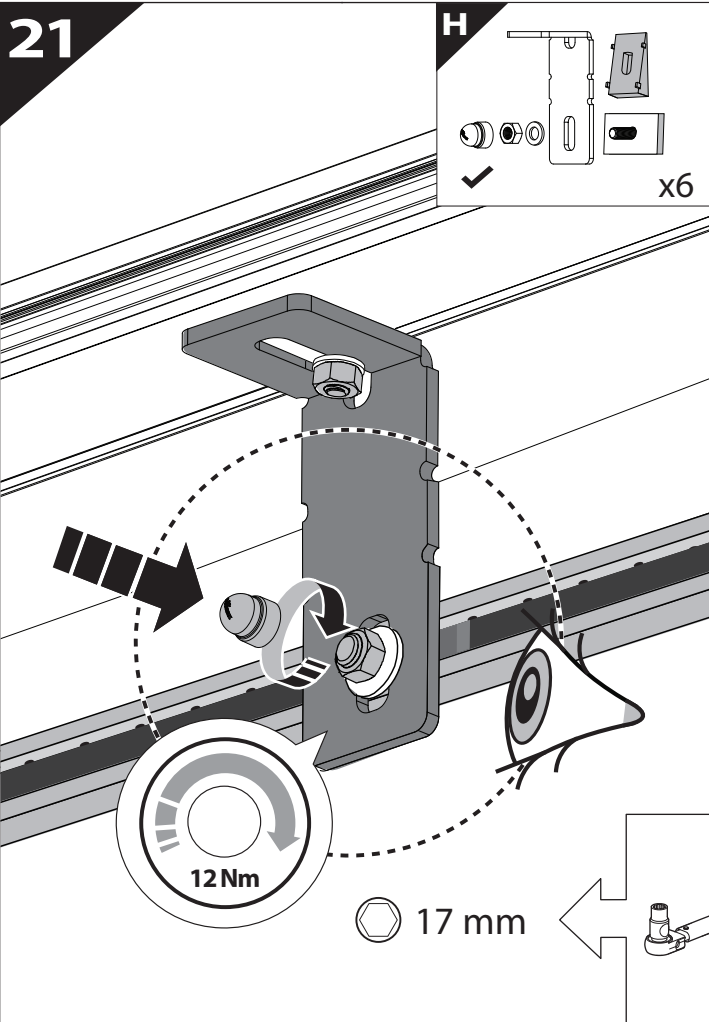


19

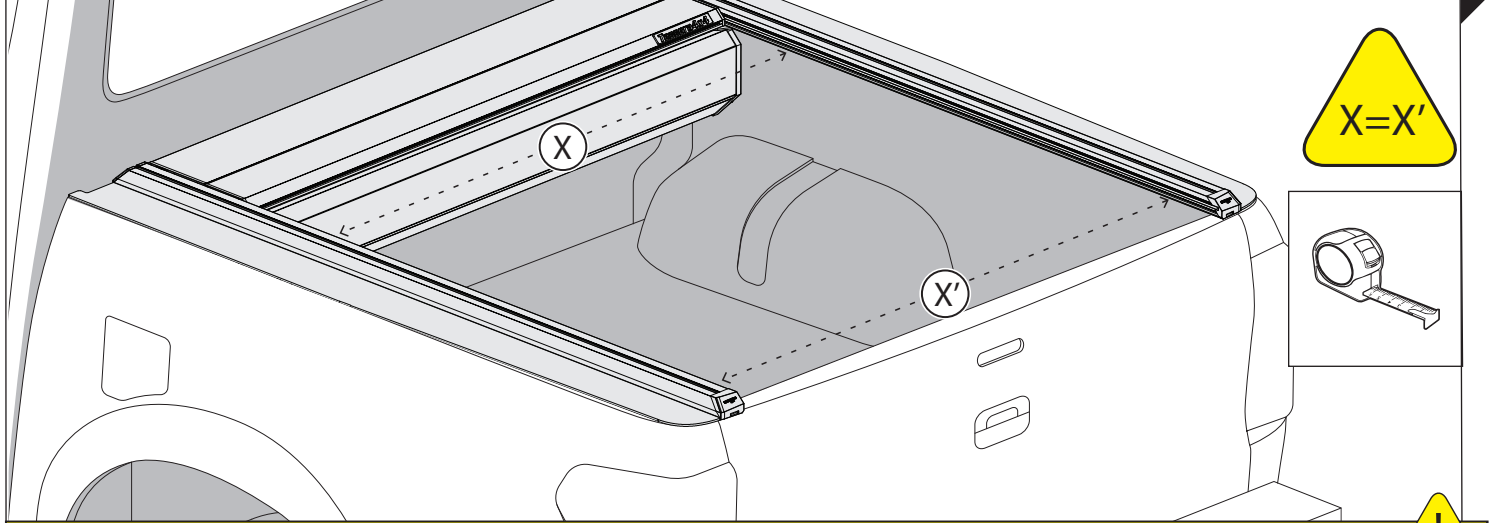


20

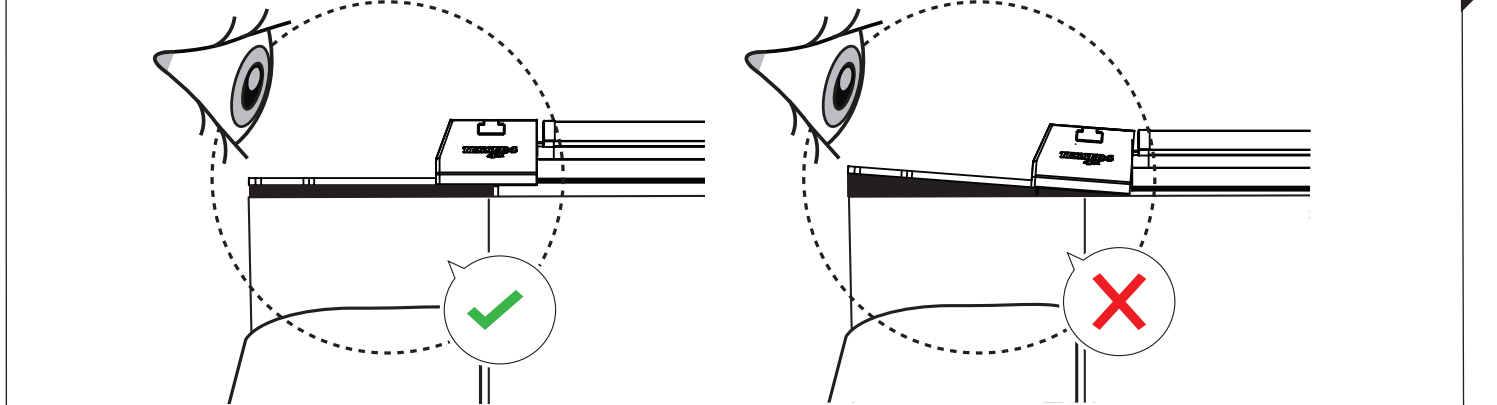


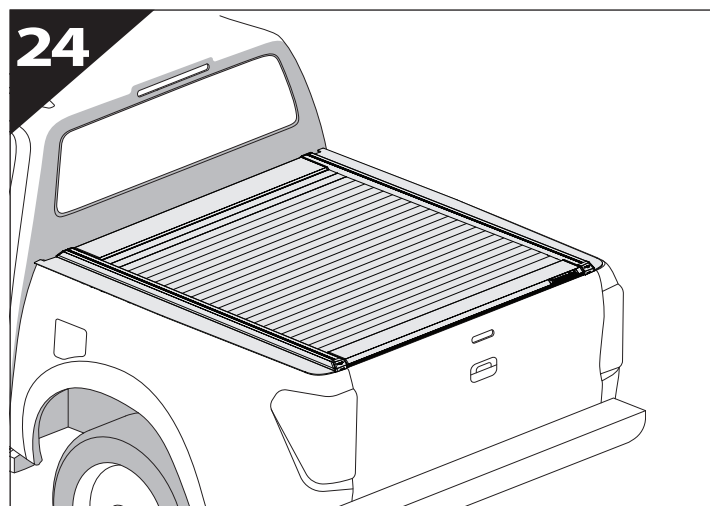
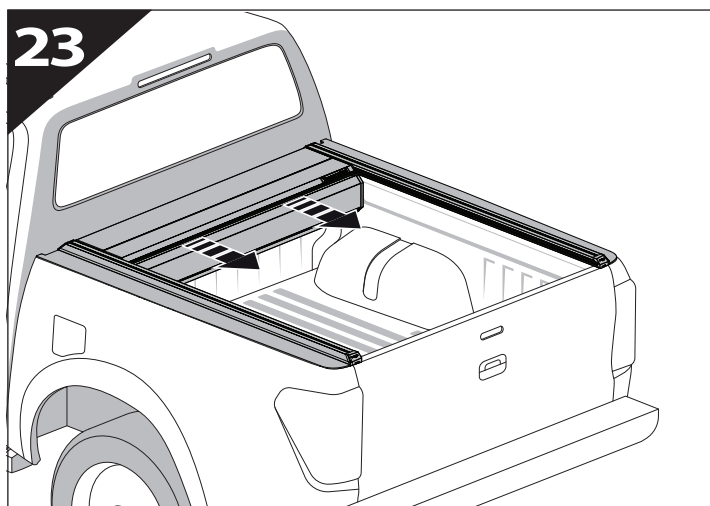


CAUTION !



CAUTION !





GR: Οδηγίες Εγκατάστασης
GB: Installation manual
SF: Asennusohje
F: Notice de montage
PL: Instrukcja montażu
NL: Installatie-instructies
TR: Montaj Talimatı
S: Monteringsanvisning
E: Instrucciones de montaje

H: Szerelési utasítás
P: Instruções de instalação
RUS: Инструкция по установке
N: Monteringsveiledning
D: Einbauanleitung
CZ: Návod k instalaci
I: Istruzioni de montaggio
DK: Monteringsvejledning
RO: Instructiuni de instalare

Customer Service:

+30 (210) 5541161, +30 (210) 5541154 (08:00 - 16:00 EET)

Support department:

info@gianso.gr

Website:

www.tessera4x4.com

Address:

19.5 km of National road Athens-Korinthos (Elefsina) Greece, P.C: 19200