

# Tessera Roll+

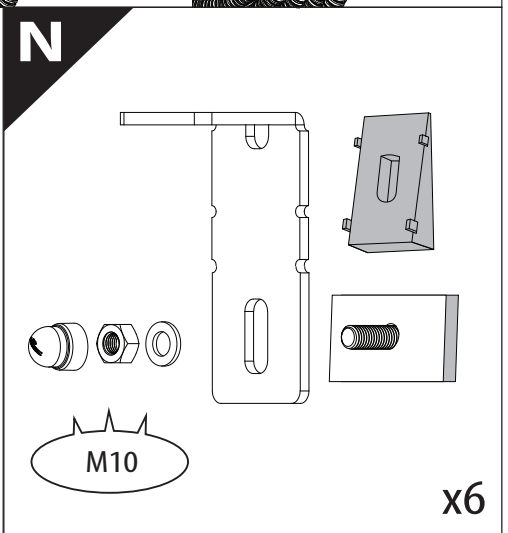
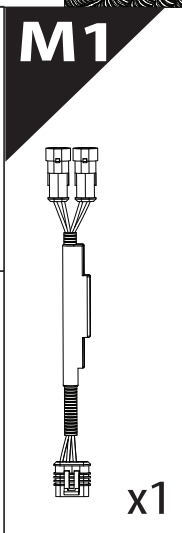
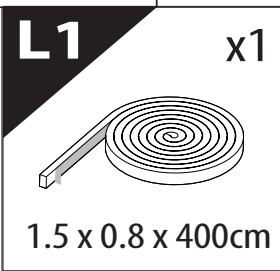
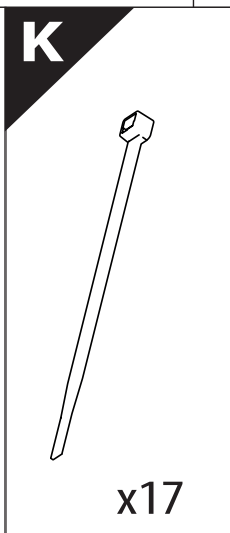
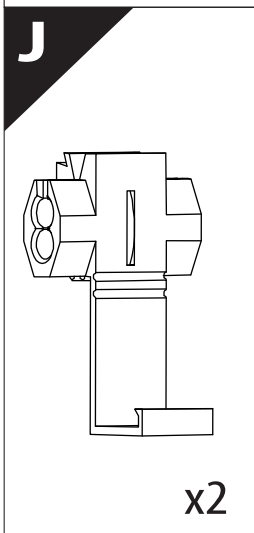
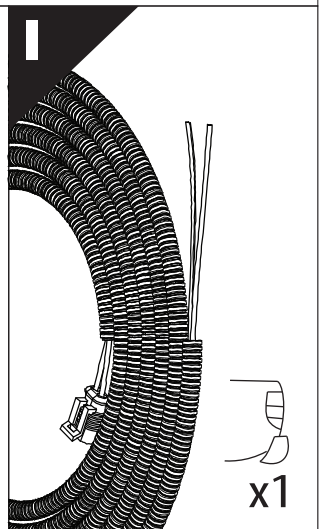
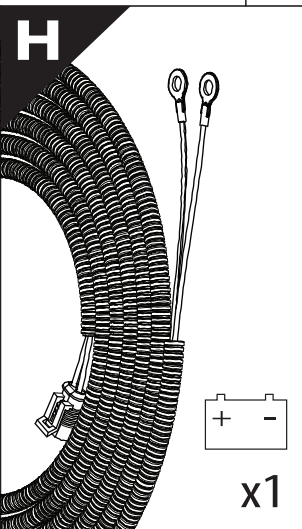
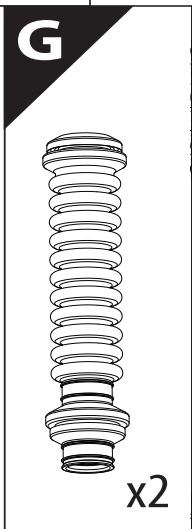
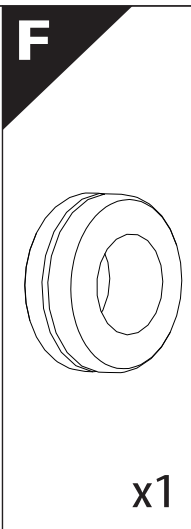
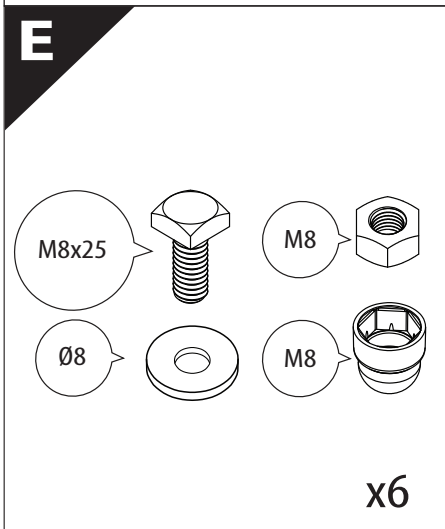
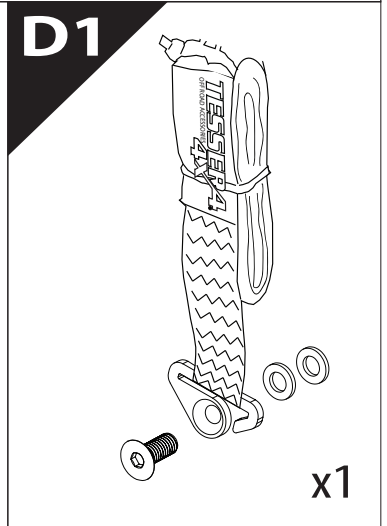
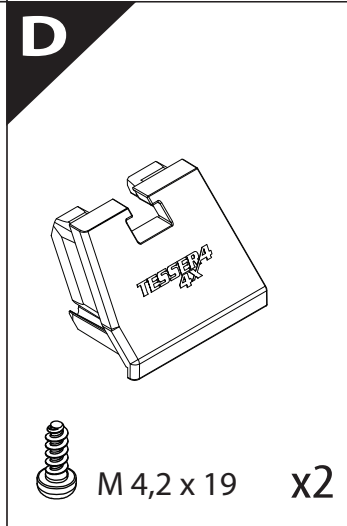
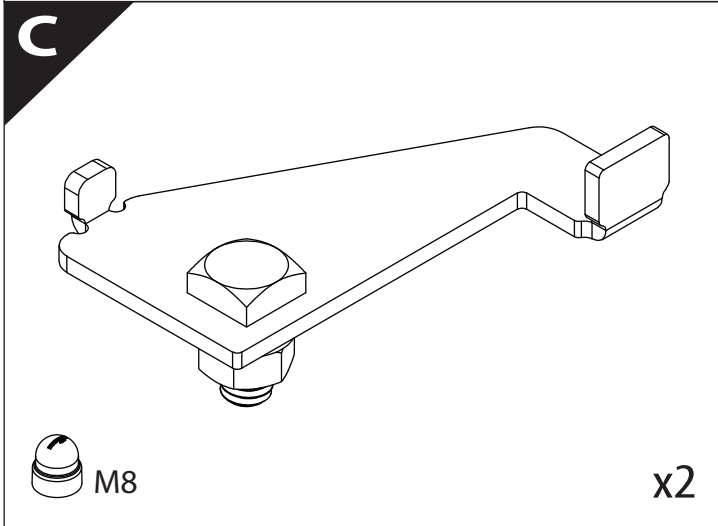
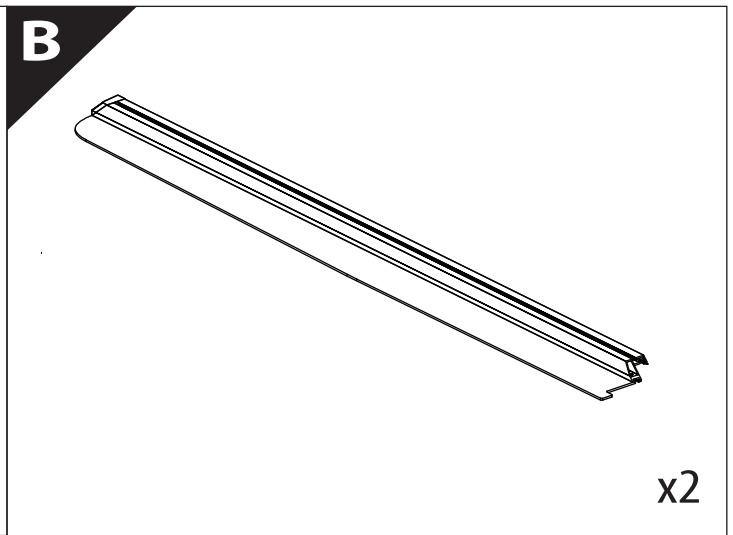
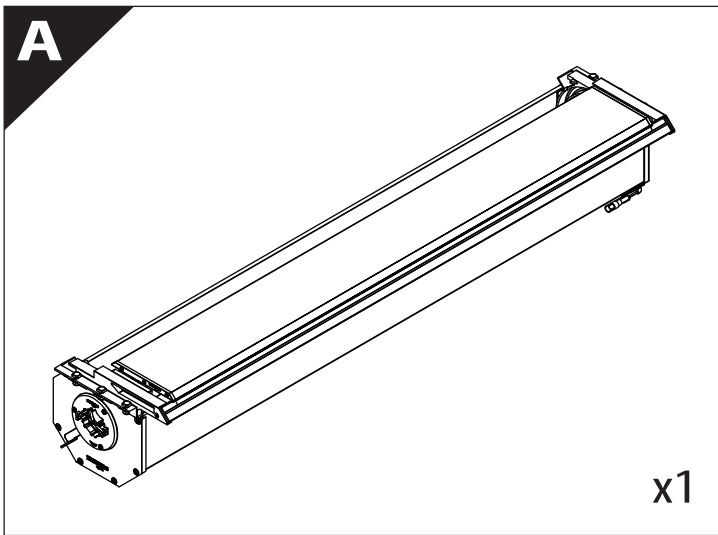
Basic Version + ⚙️ S-KIT

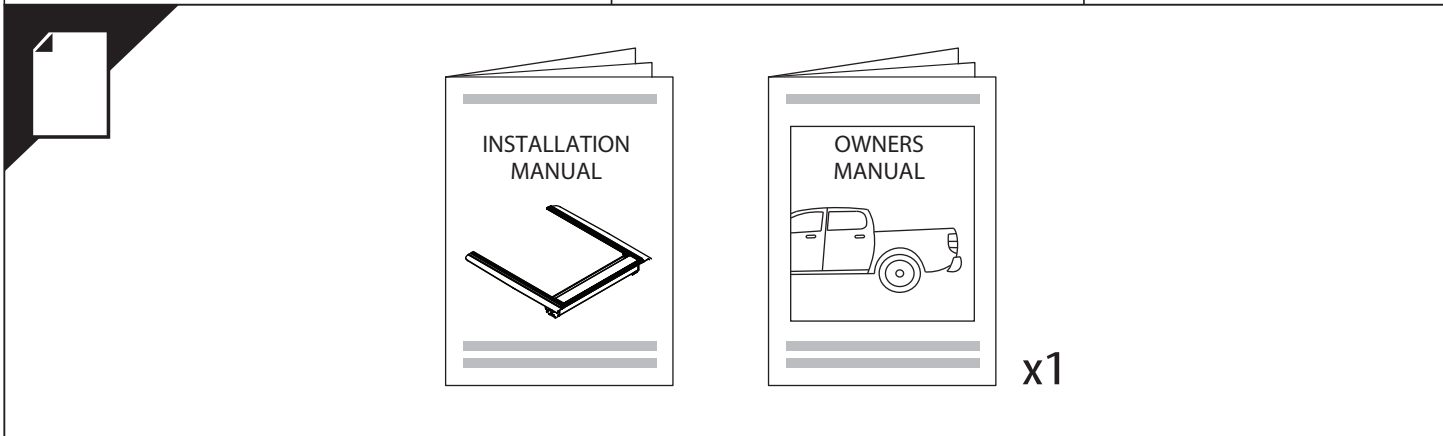
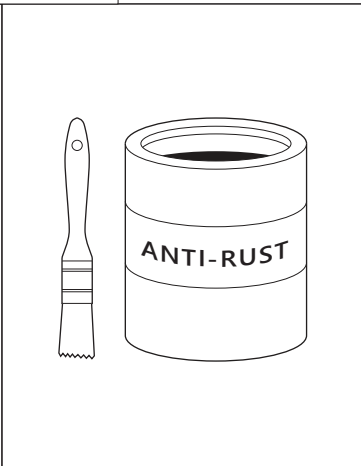
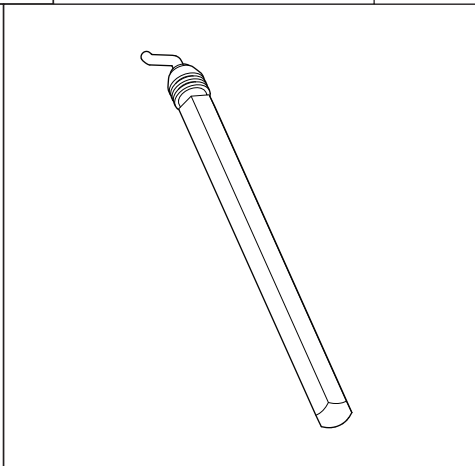
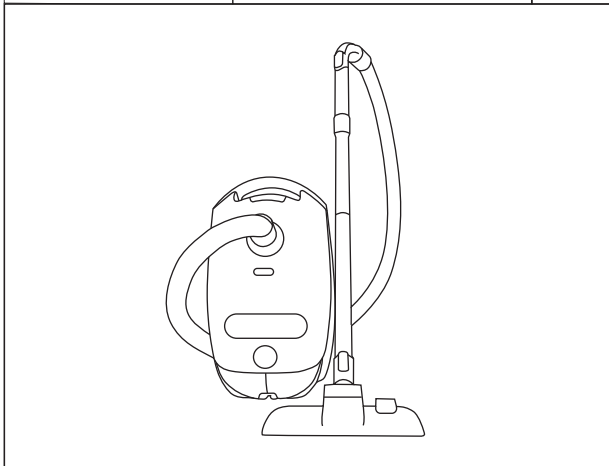
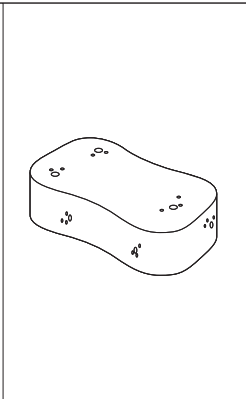
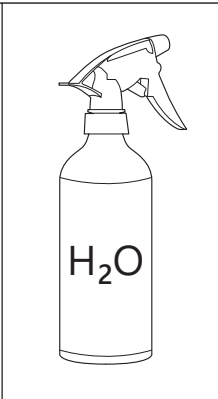
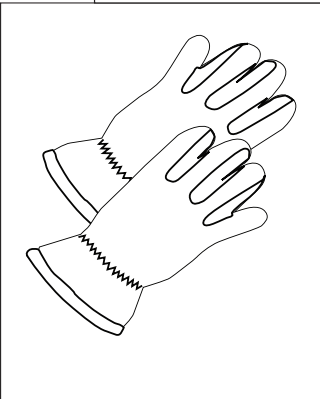
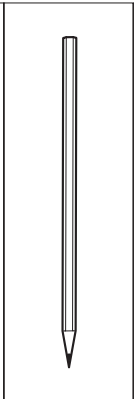
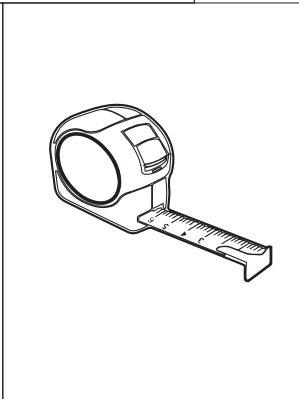
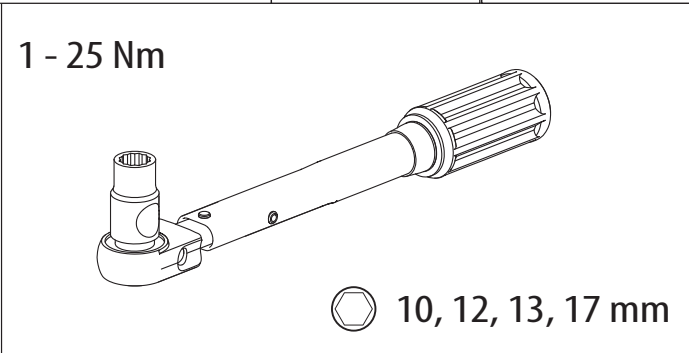
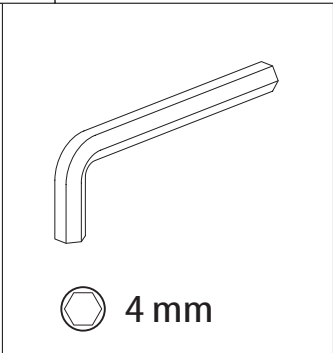
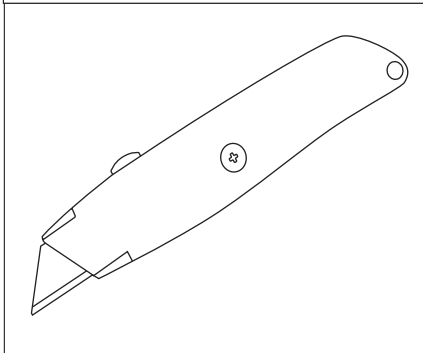
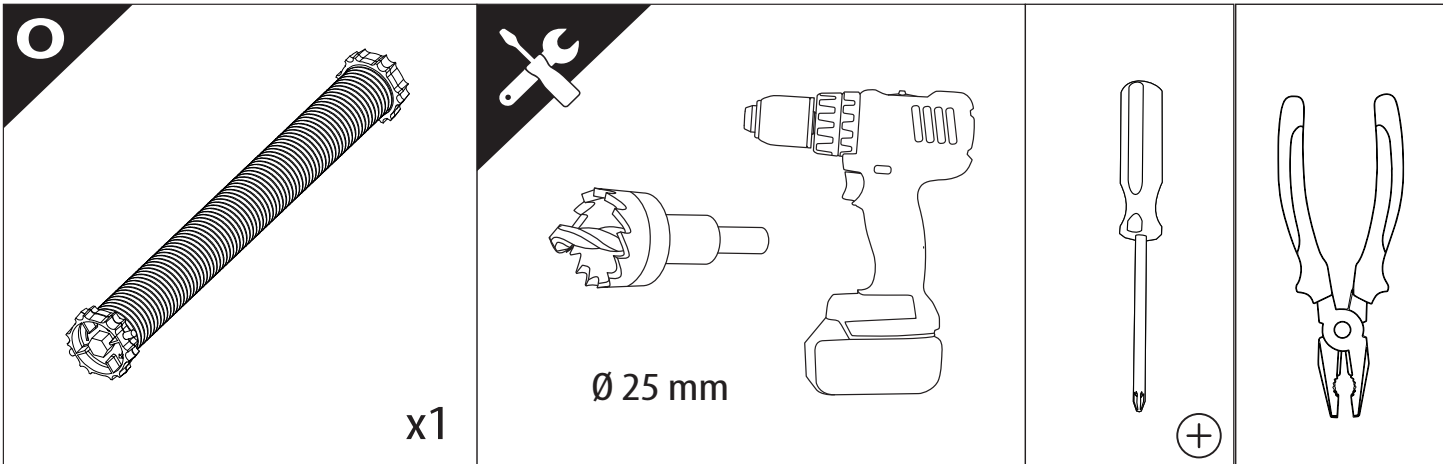


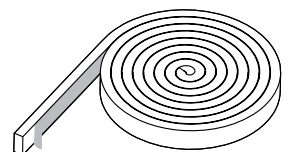
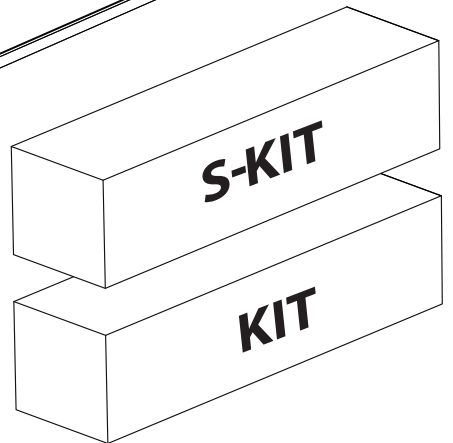
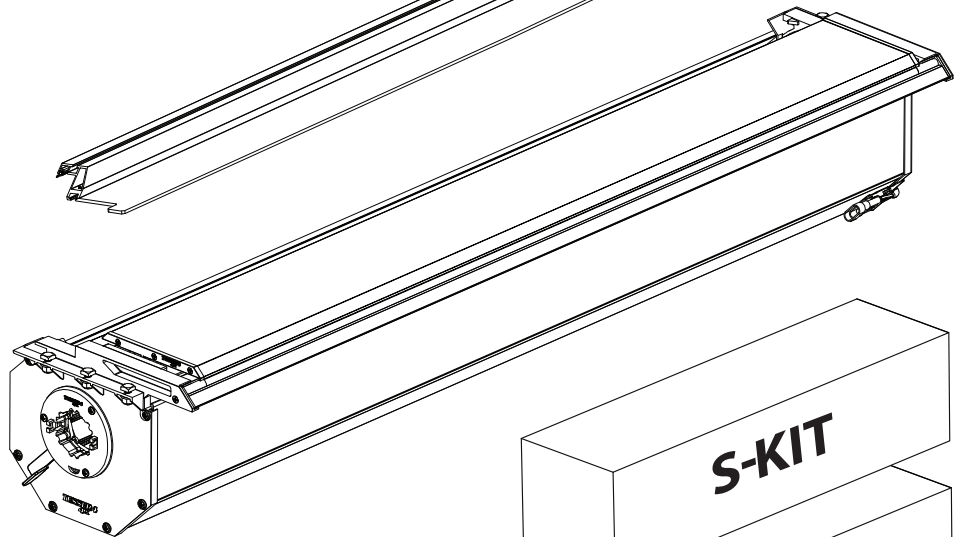
## Installation Manual

<b>PART NUMBER(S)</b>	<b>Model Year</b>
<b>TESS 1430 ROLL+S-KIT</b>	<b>Toyota Tacoma 2016+</b>
<b>Cab(s)</b>	<b>Installation Time / Weight</b>
<b>Double Cab</b>	<b>40-60 minutes / 53-57 kg</b>







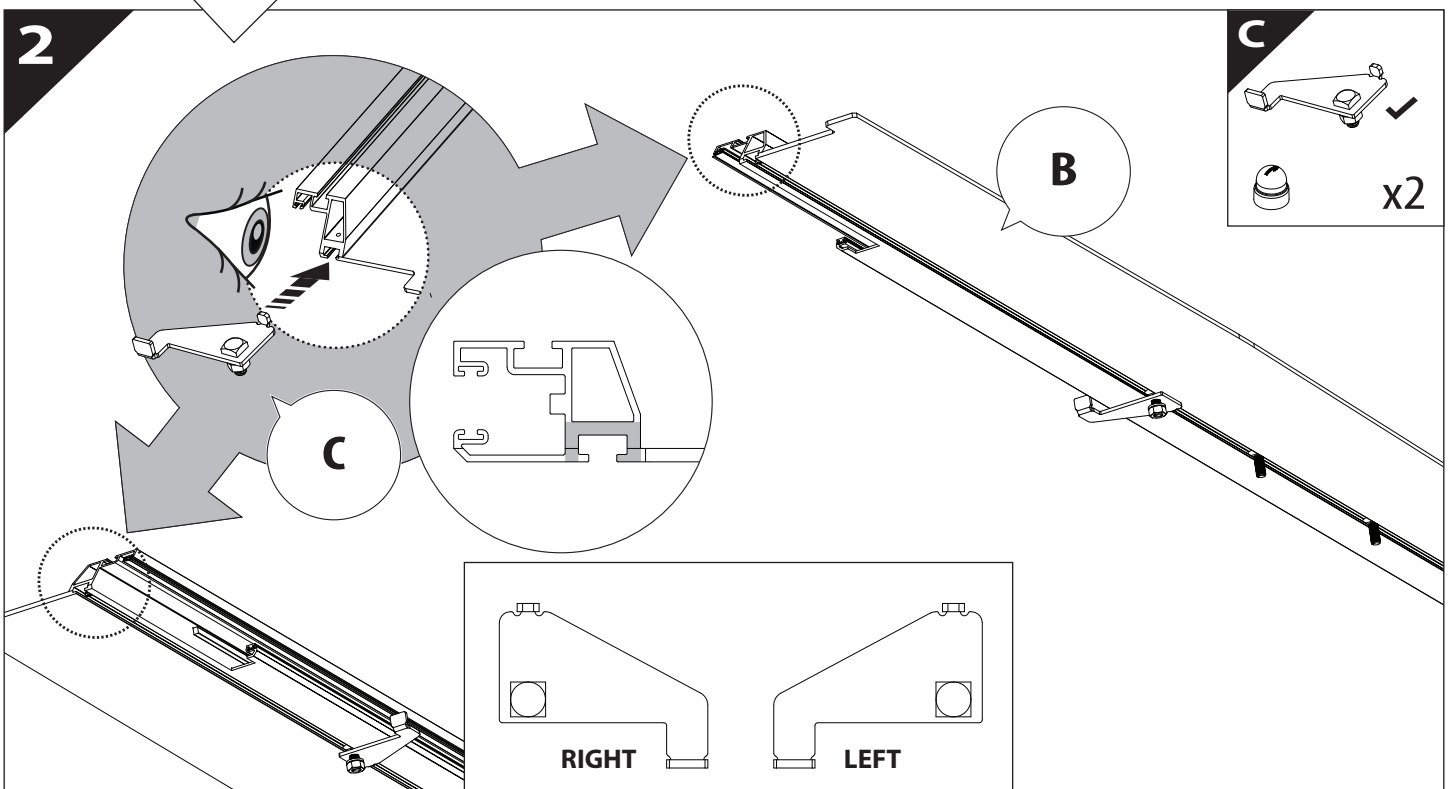
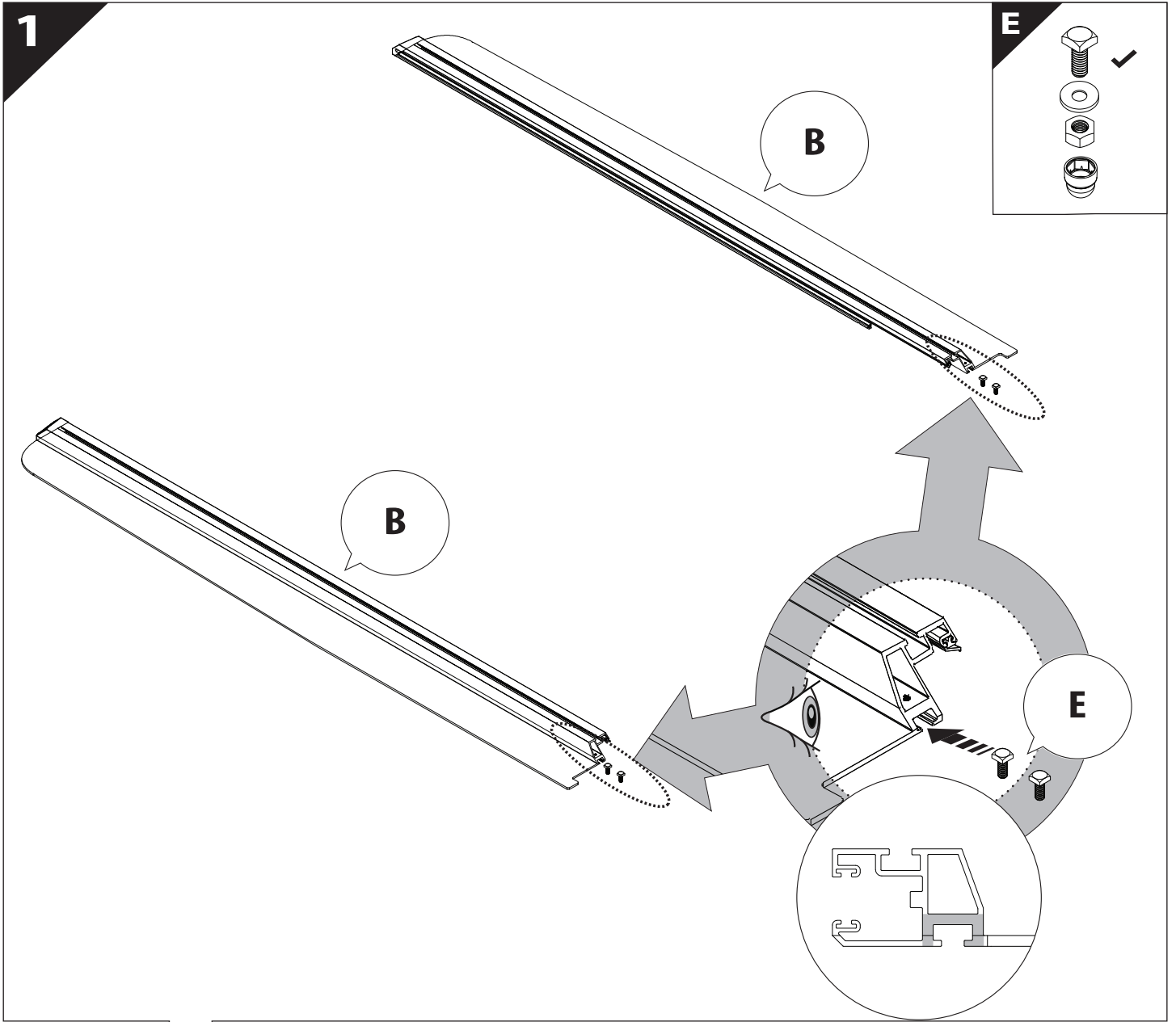


**B**

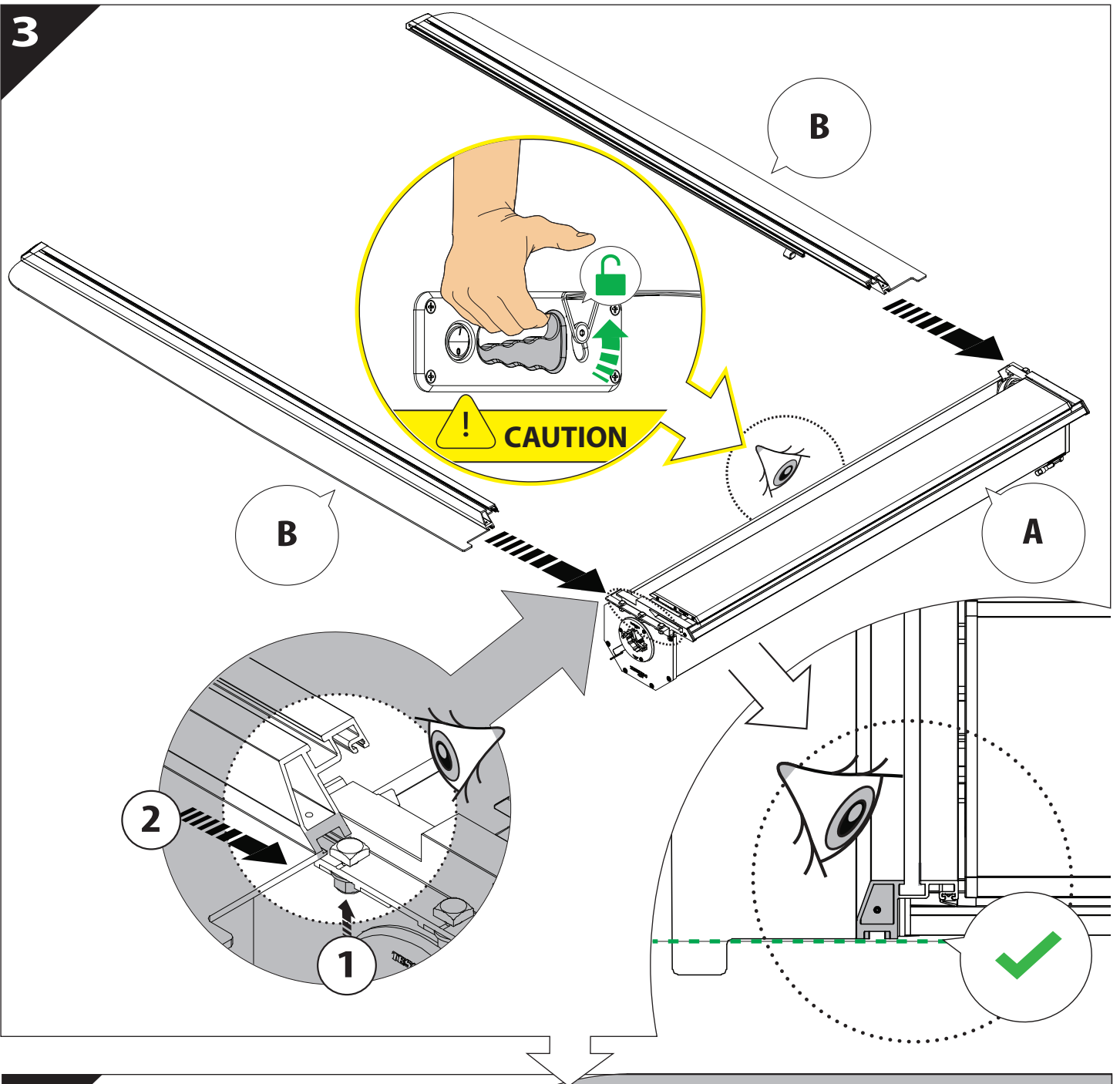
**A**

**KITS**

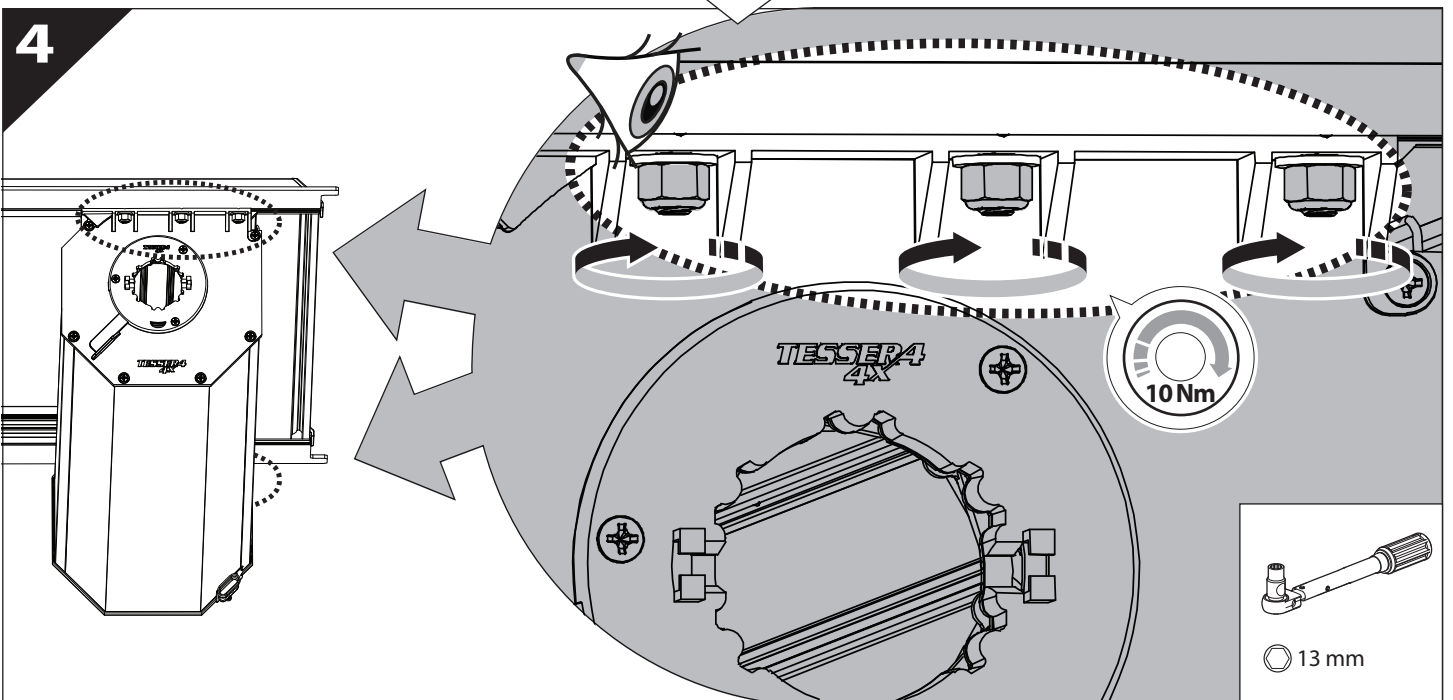
**L**

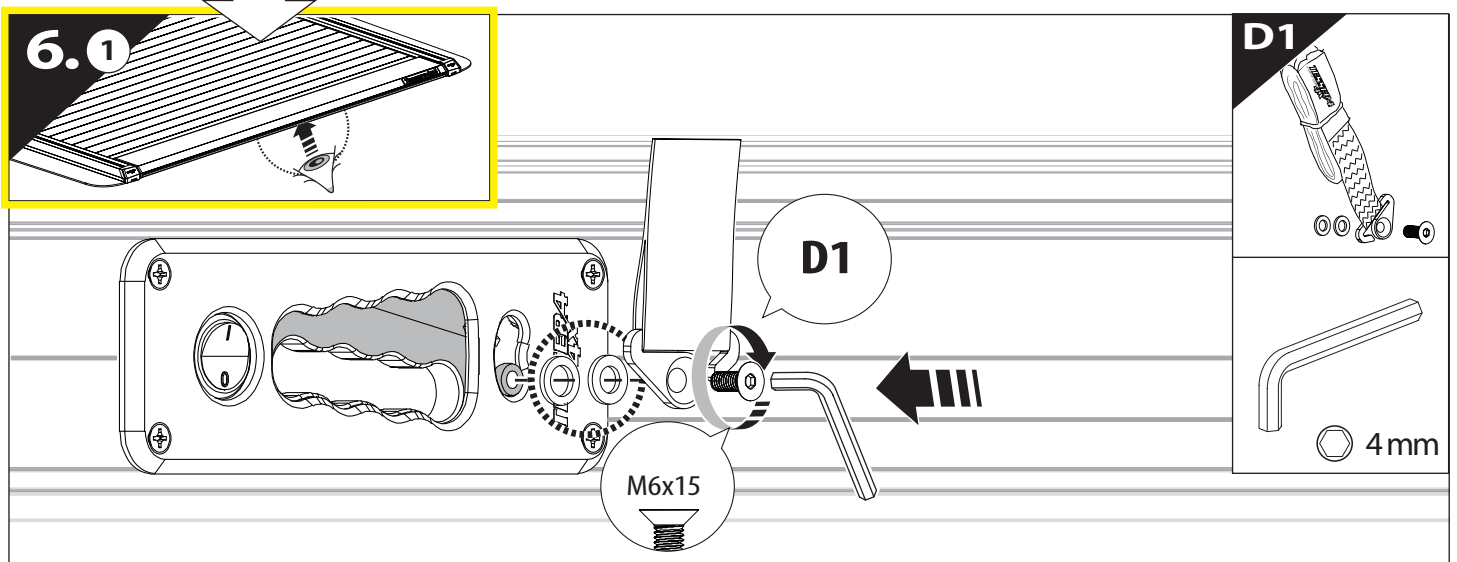
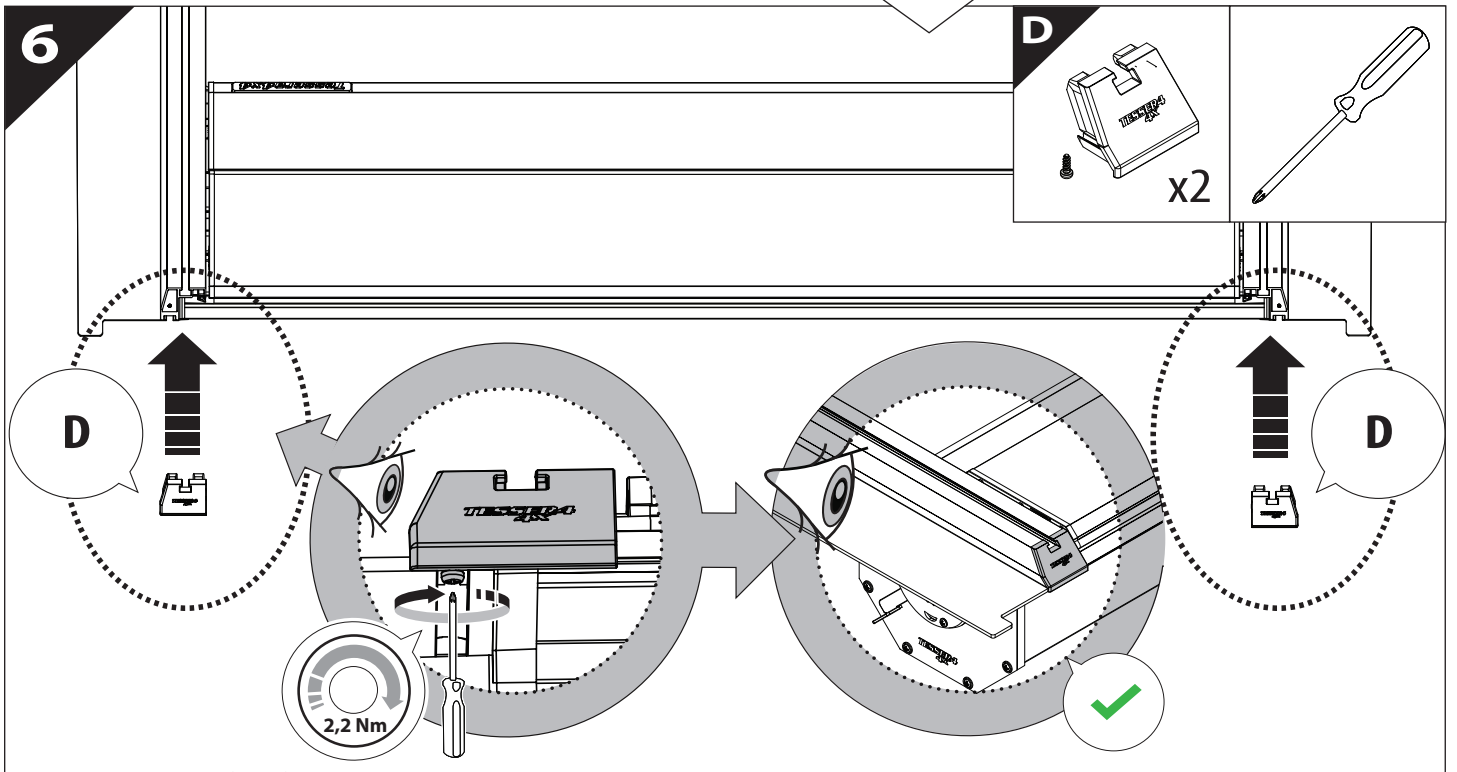
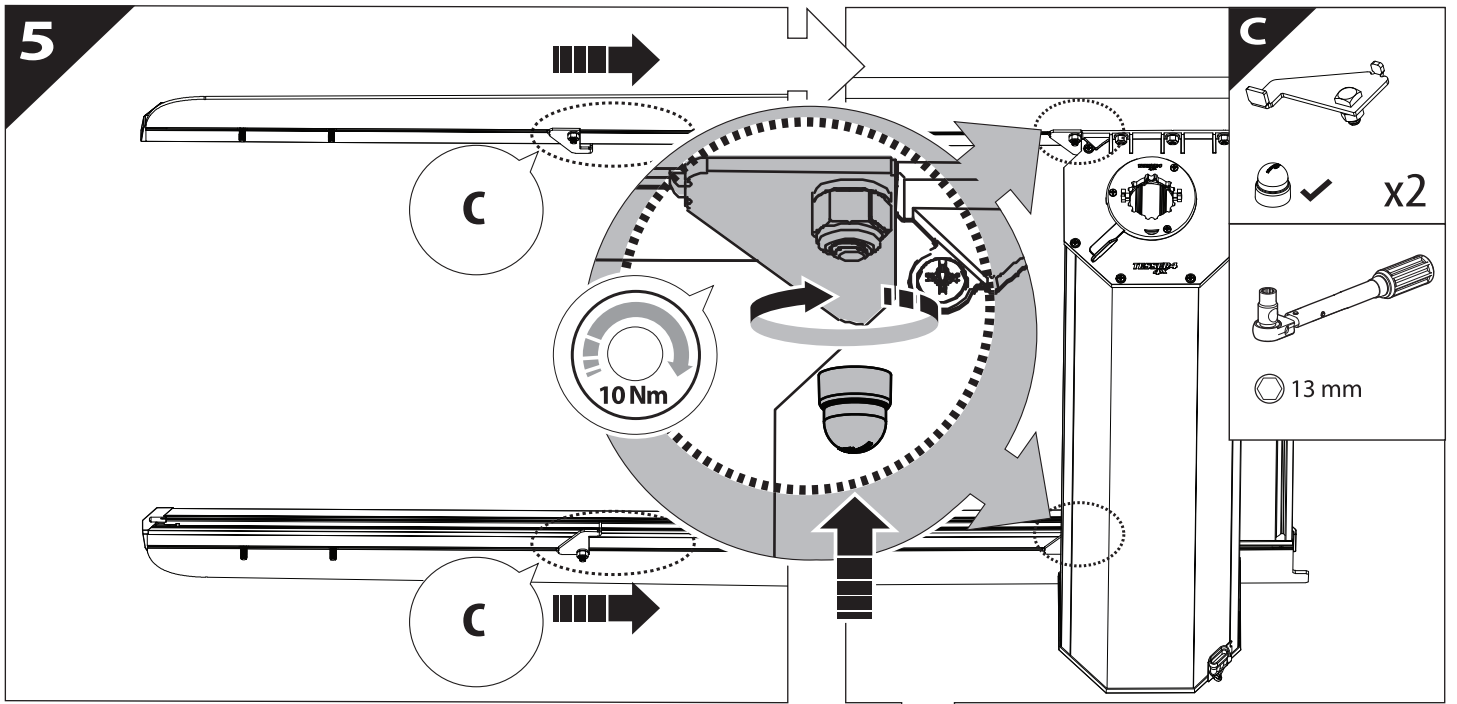


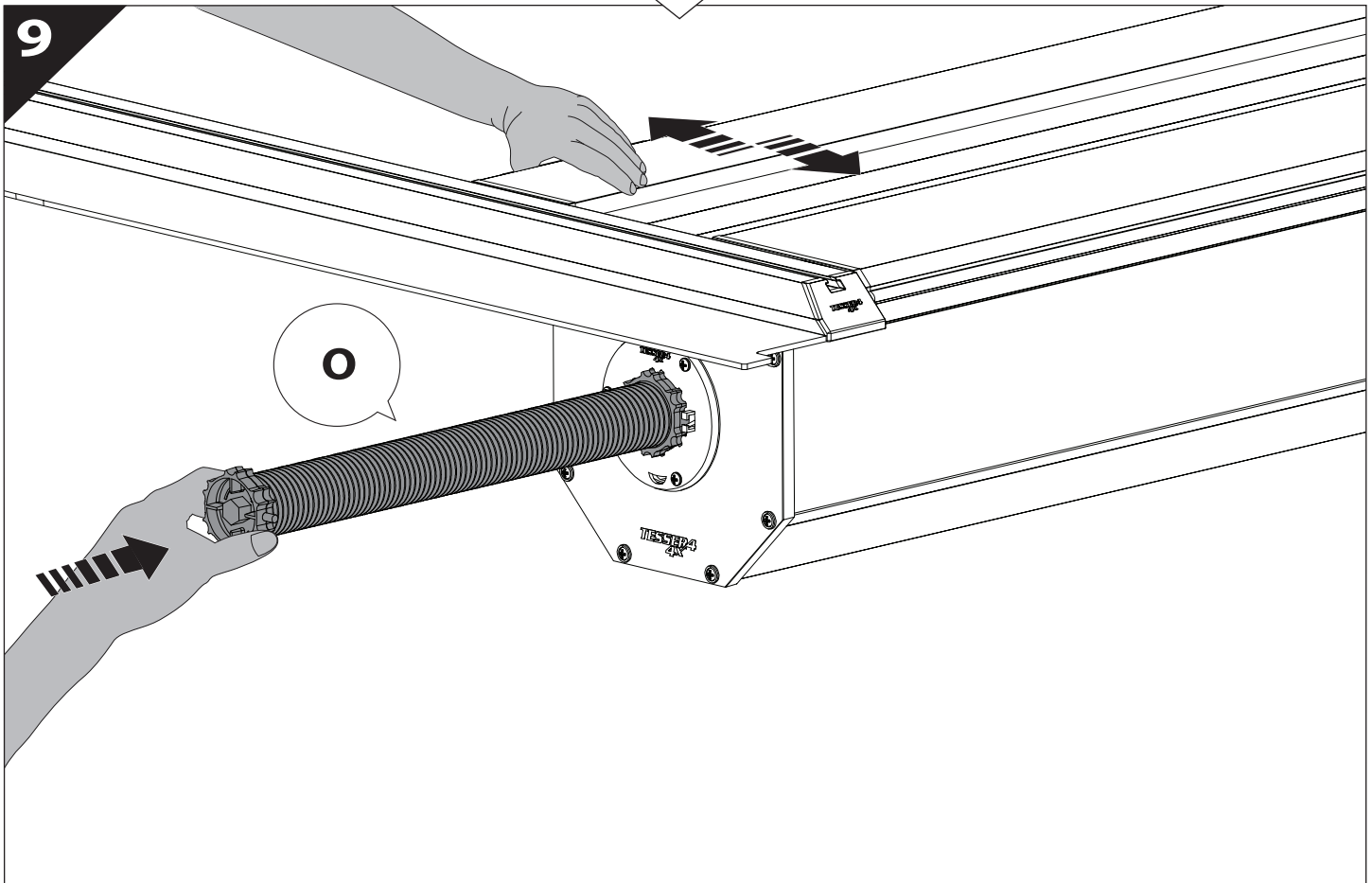
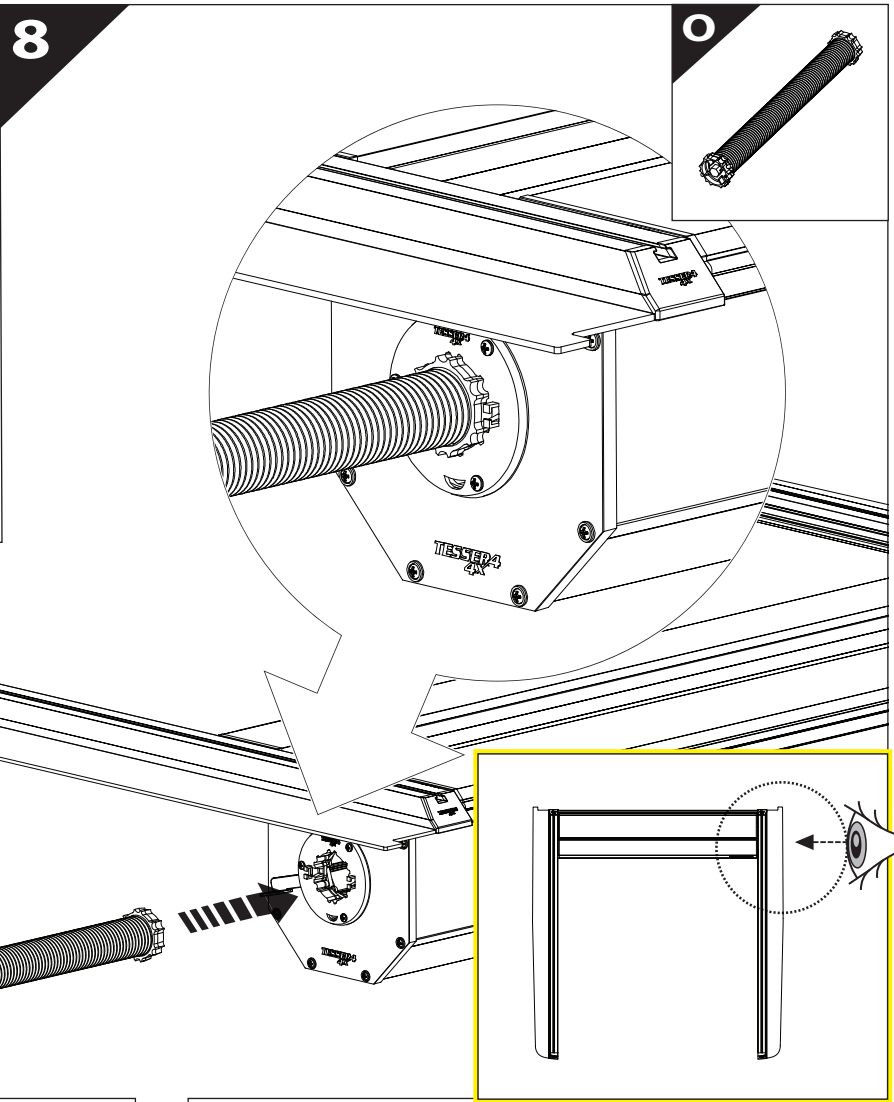
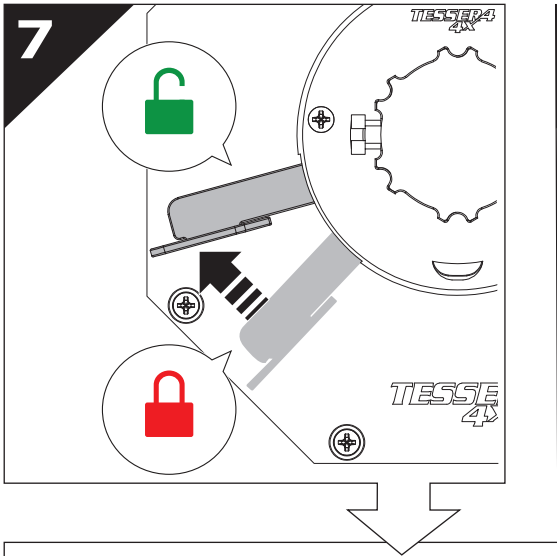
3



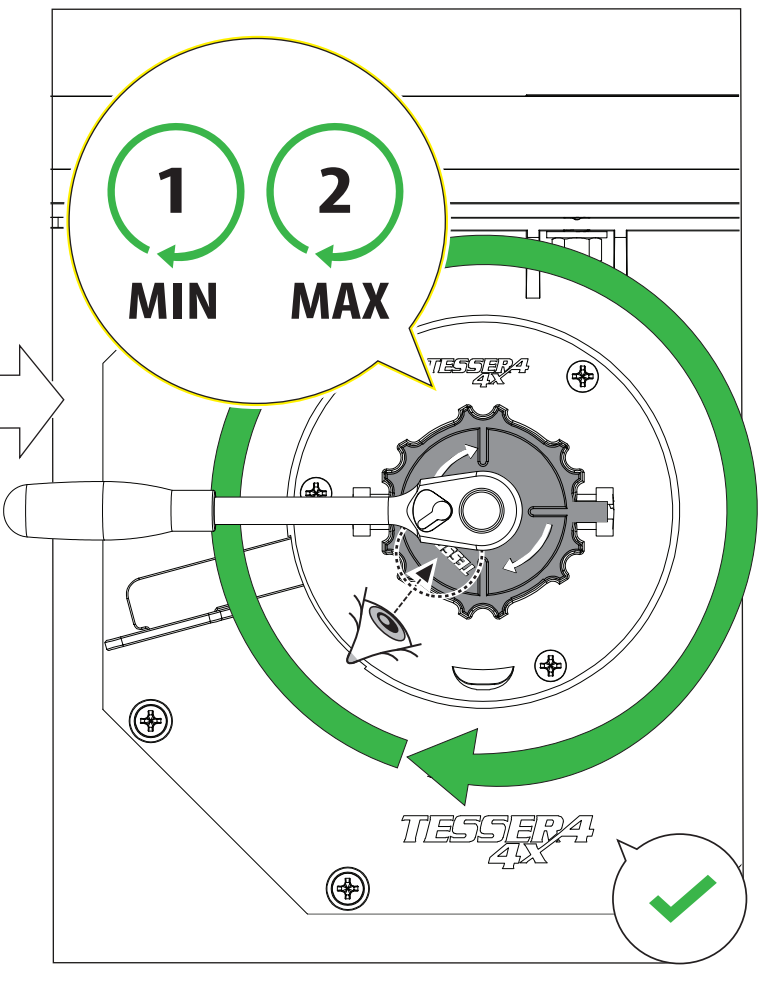
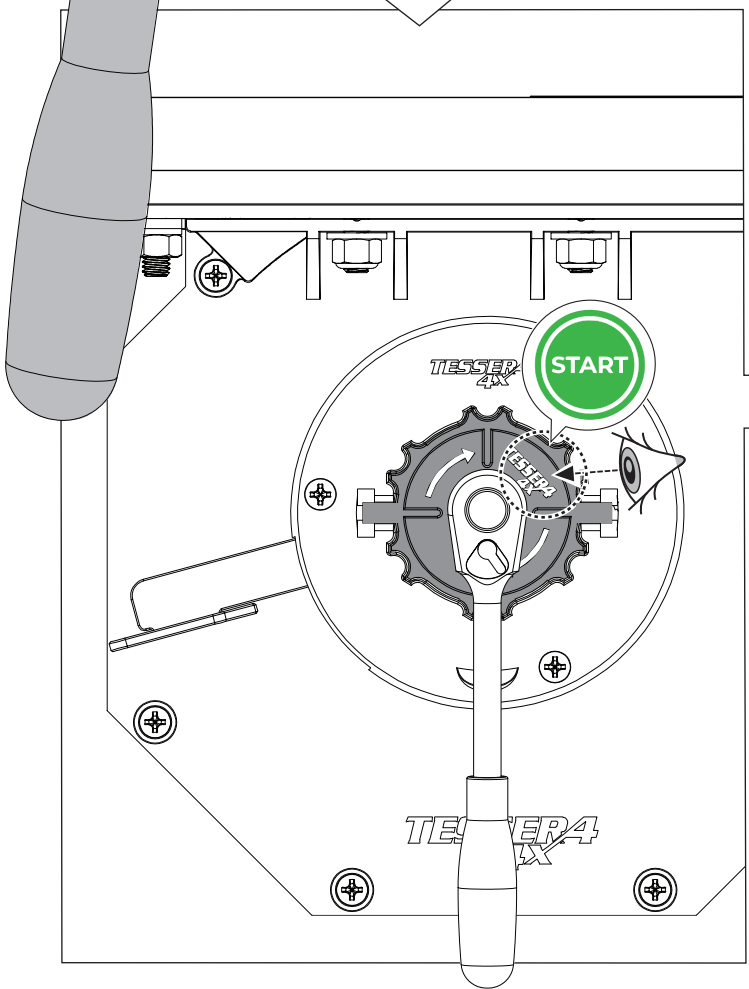
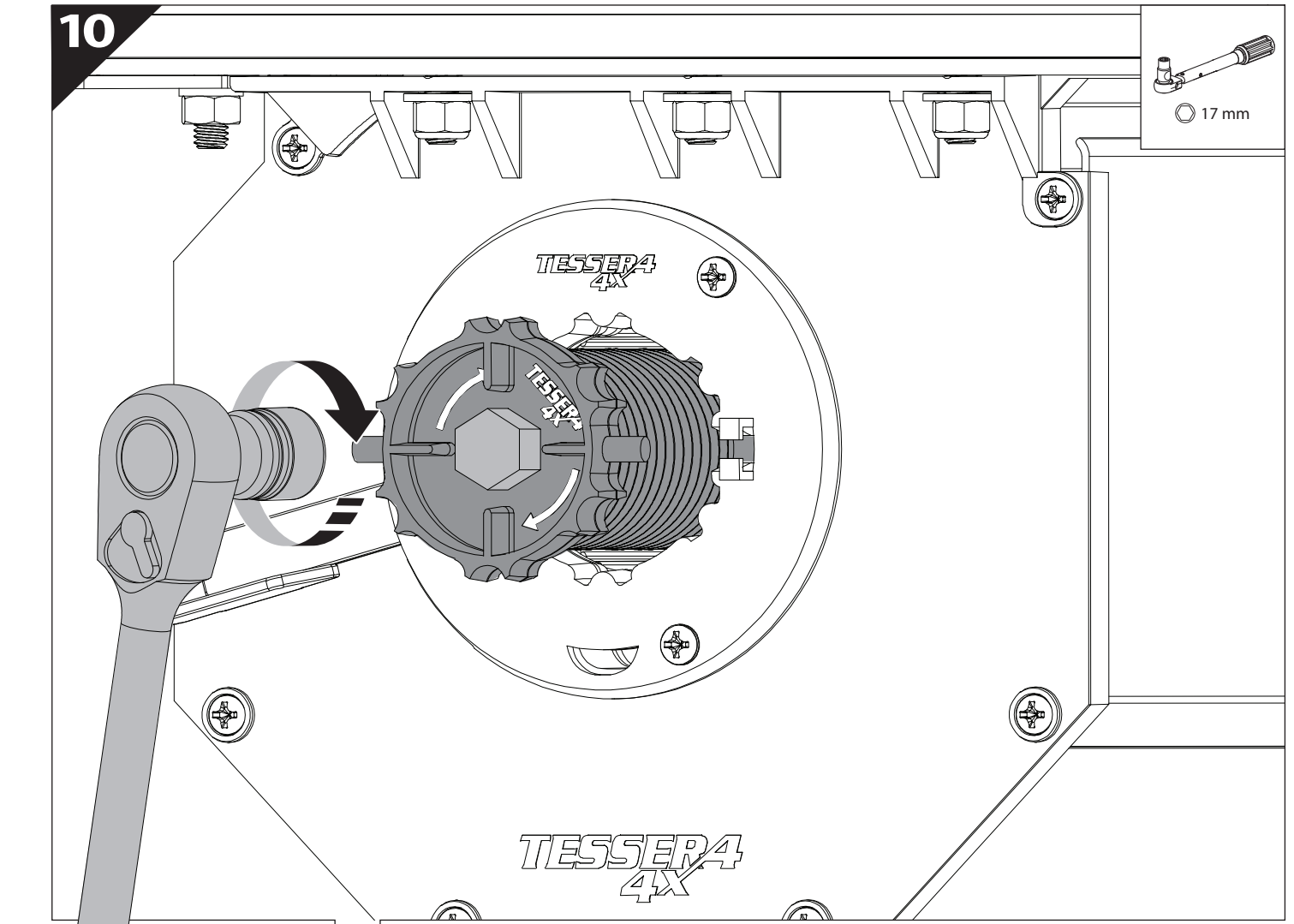
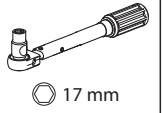
4



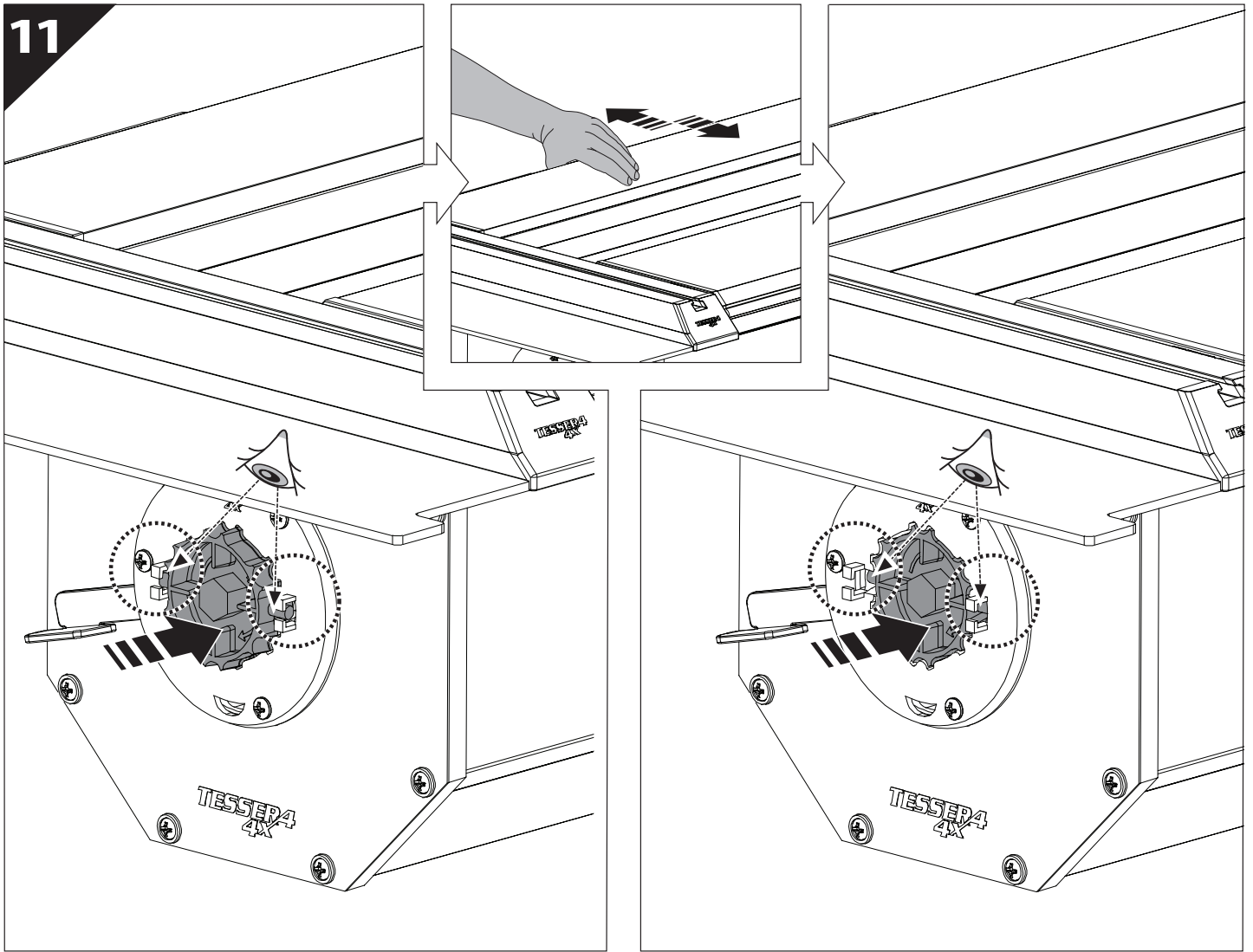




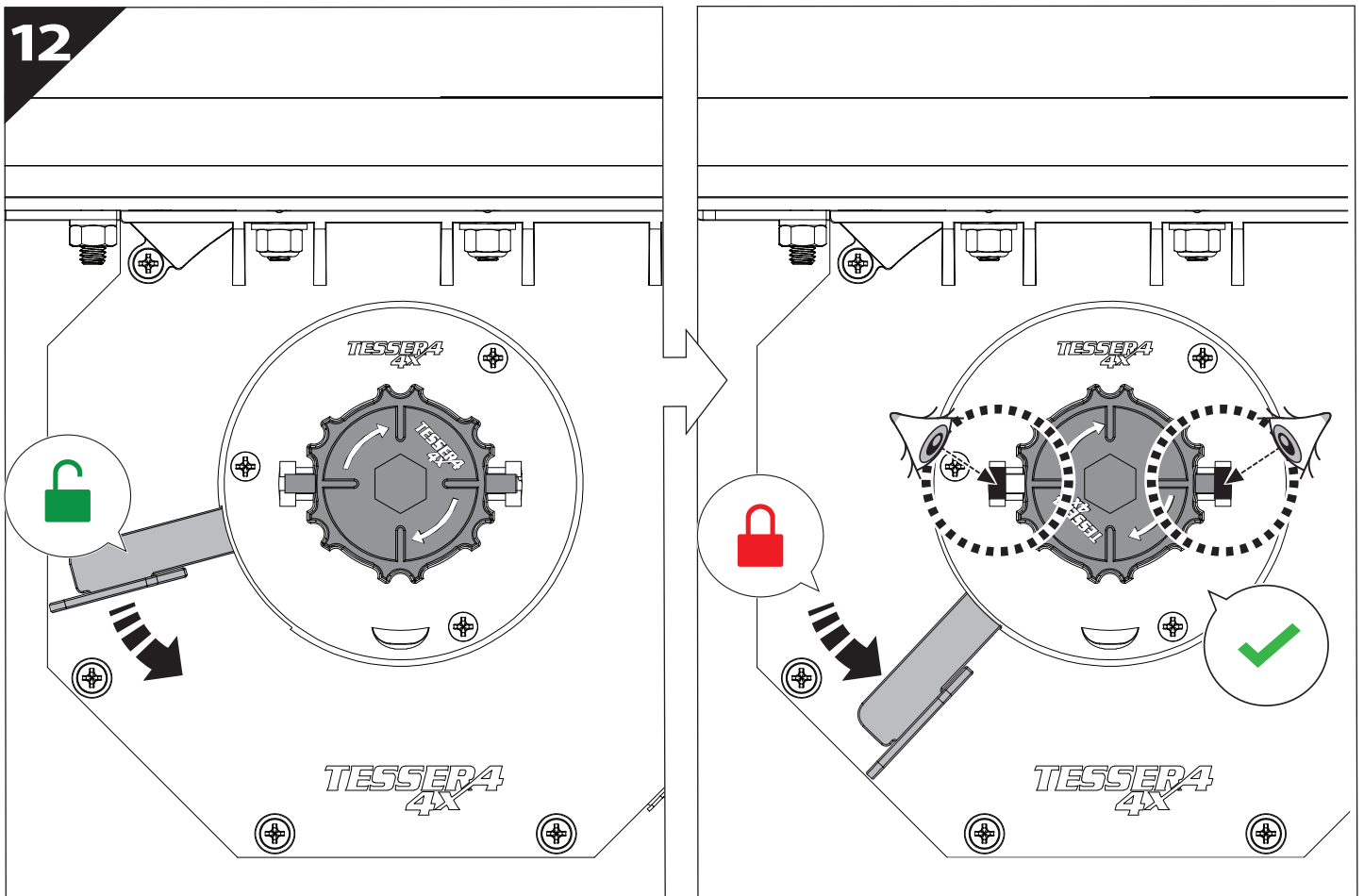
10



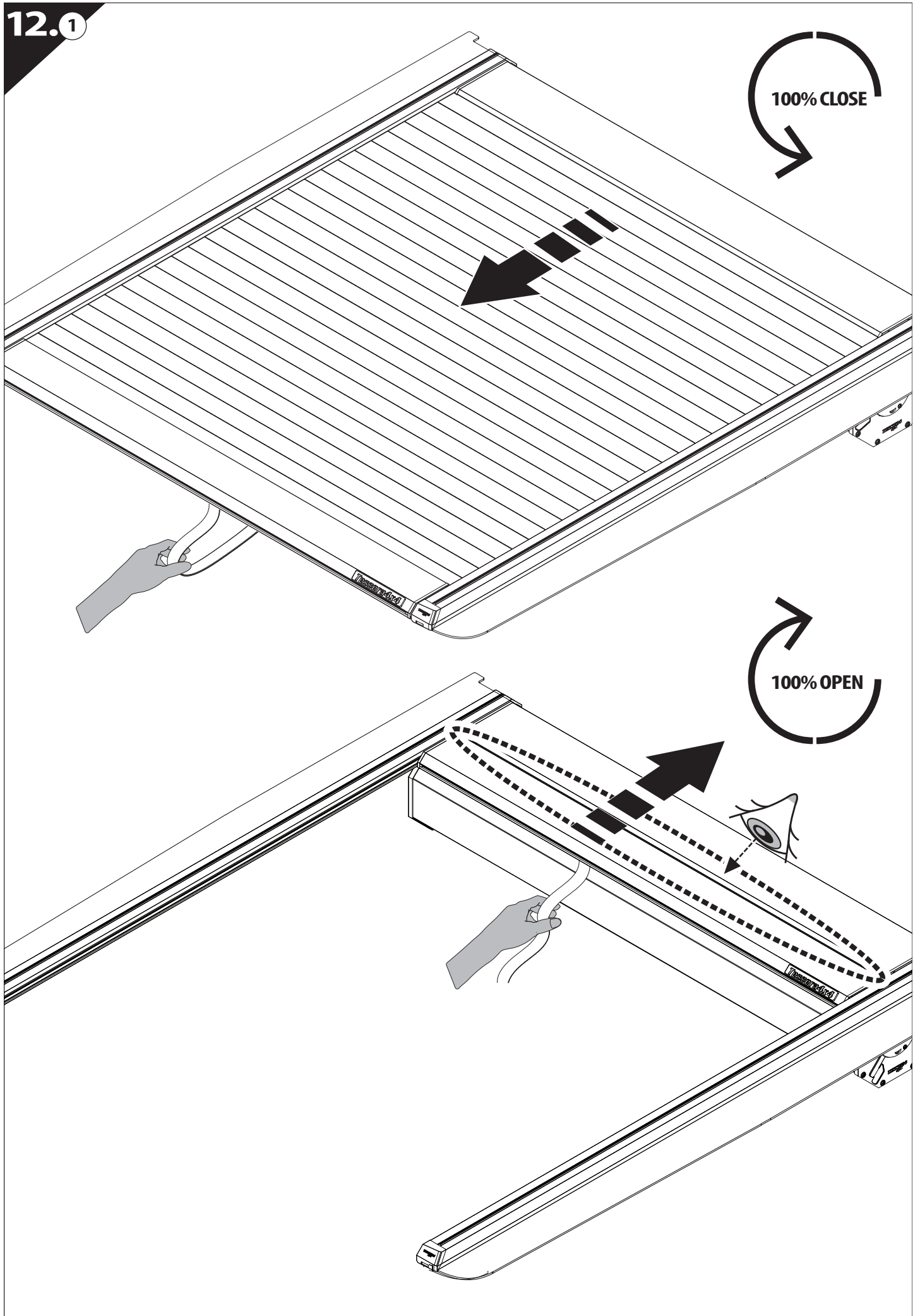
11

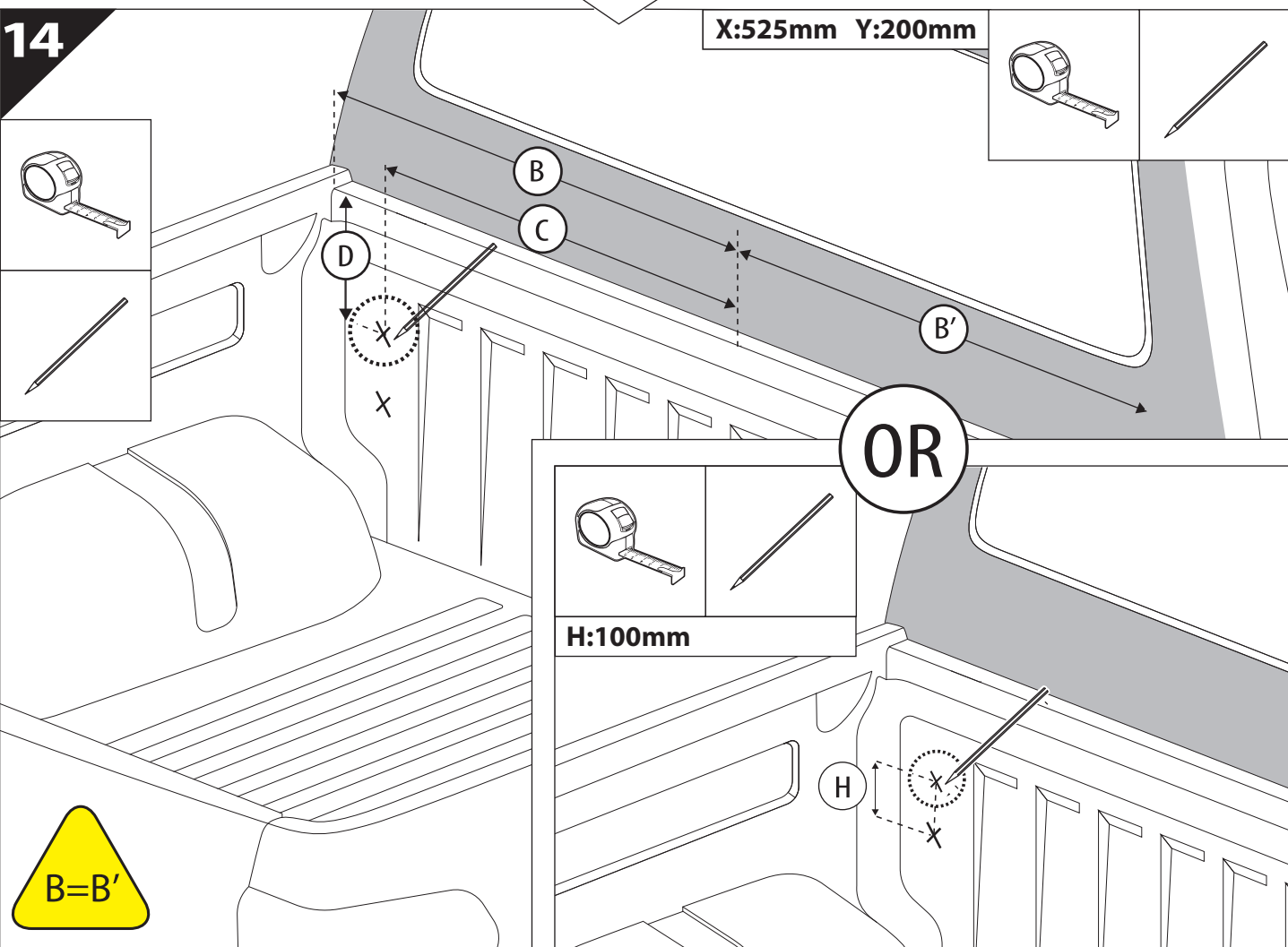
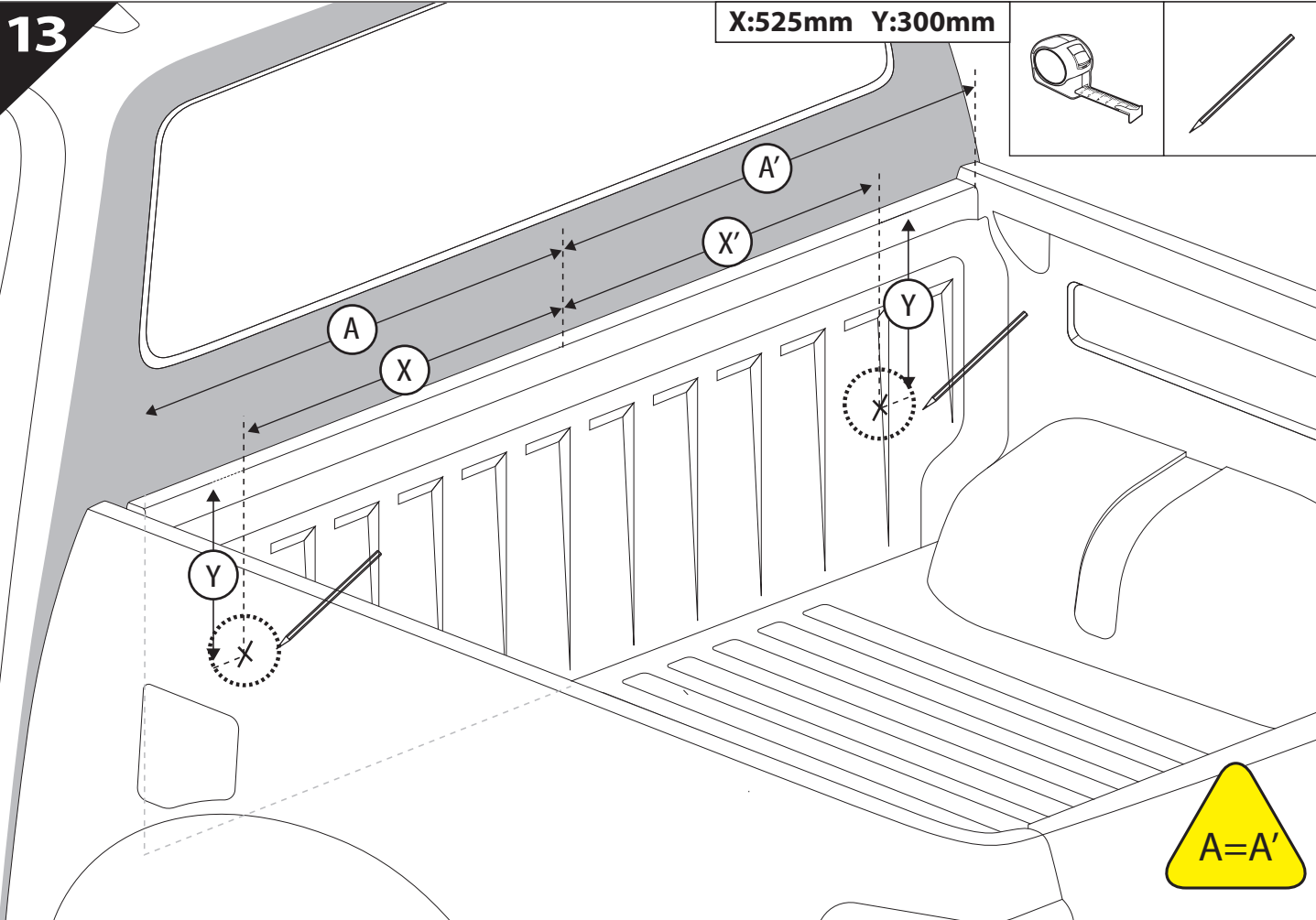


12

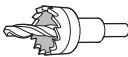


12.0






15

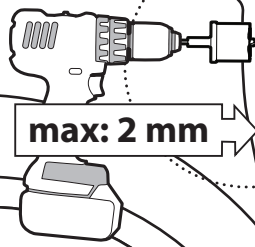


Ø 25 mm




Rust Protection

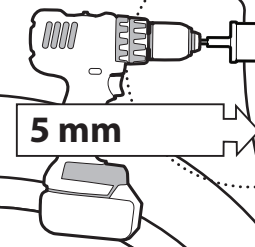
**CAUTION**



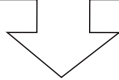
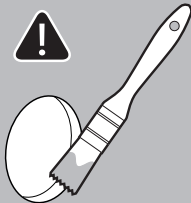


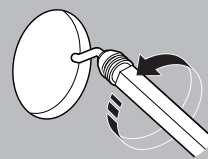

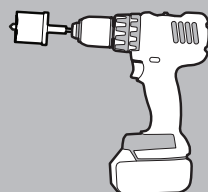

max: 2 mm



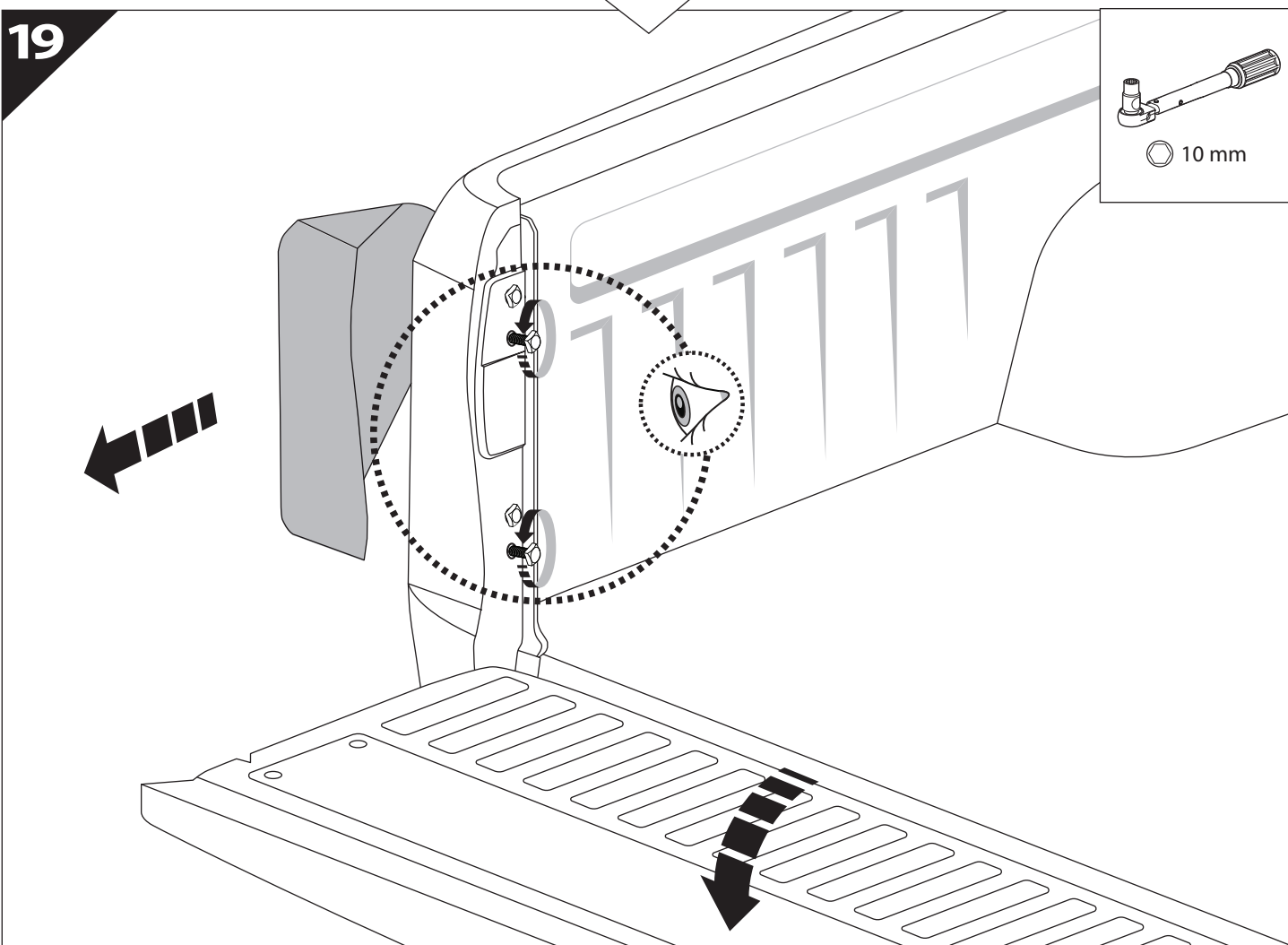
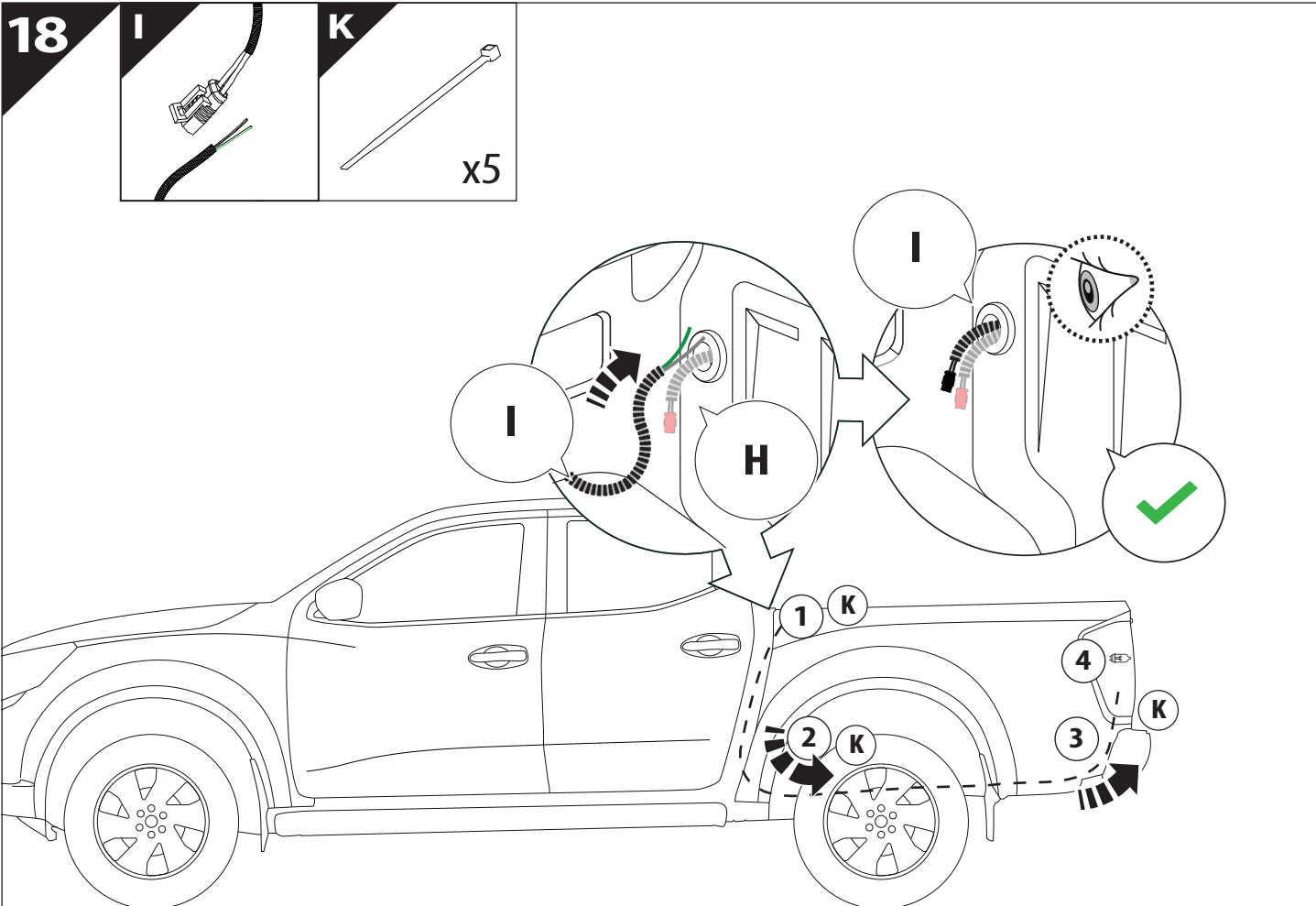
**CAUTION**

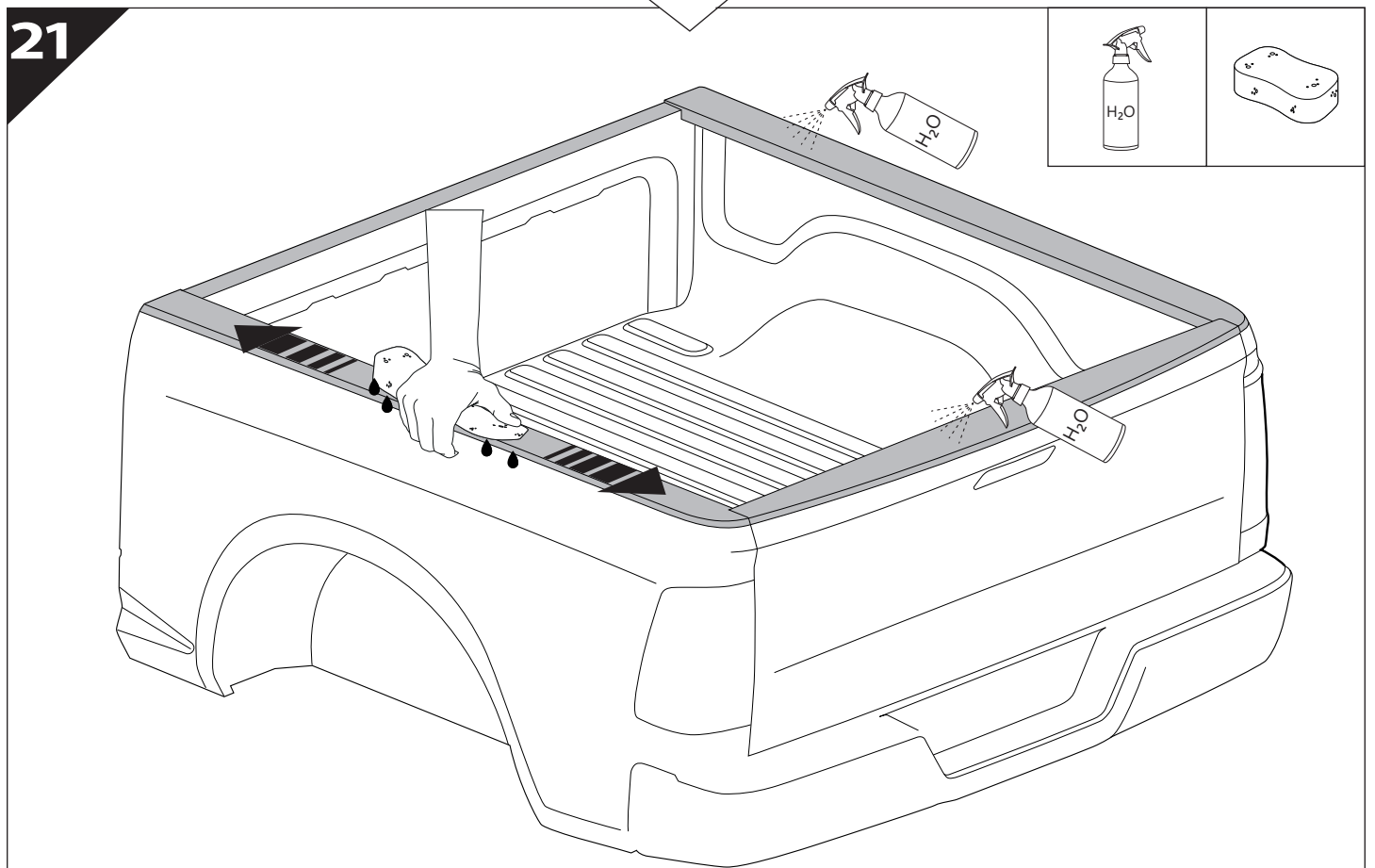
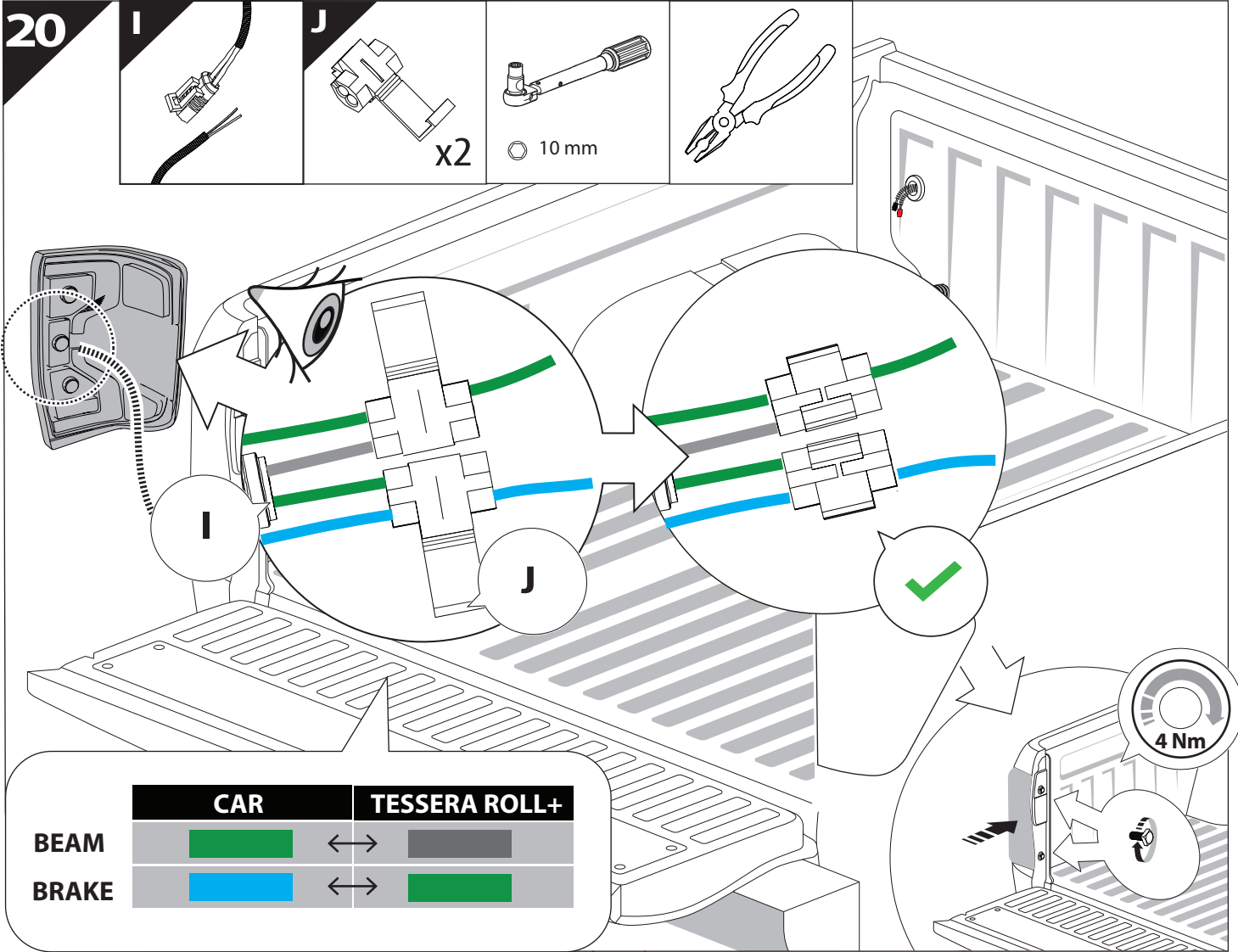


5 mm

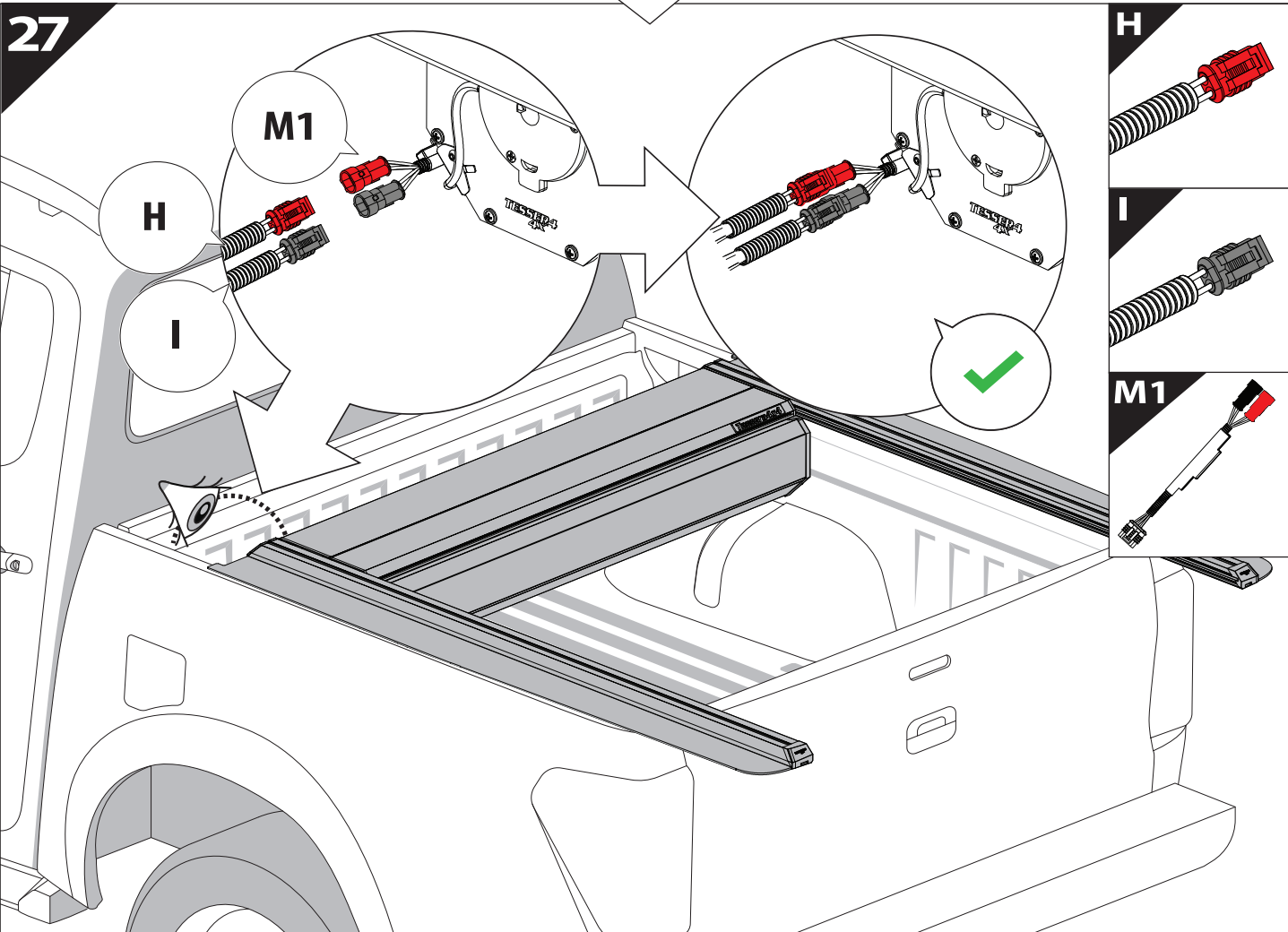
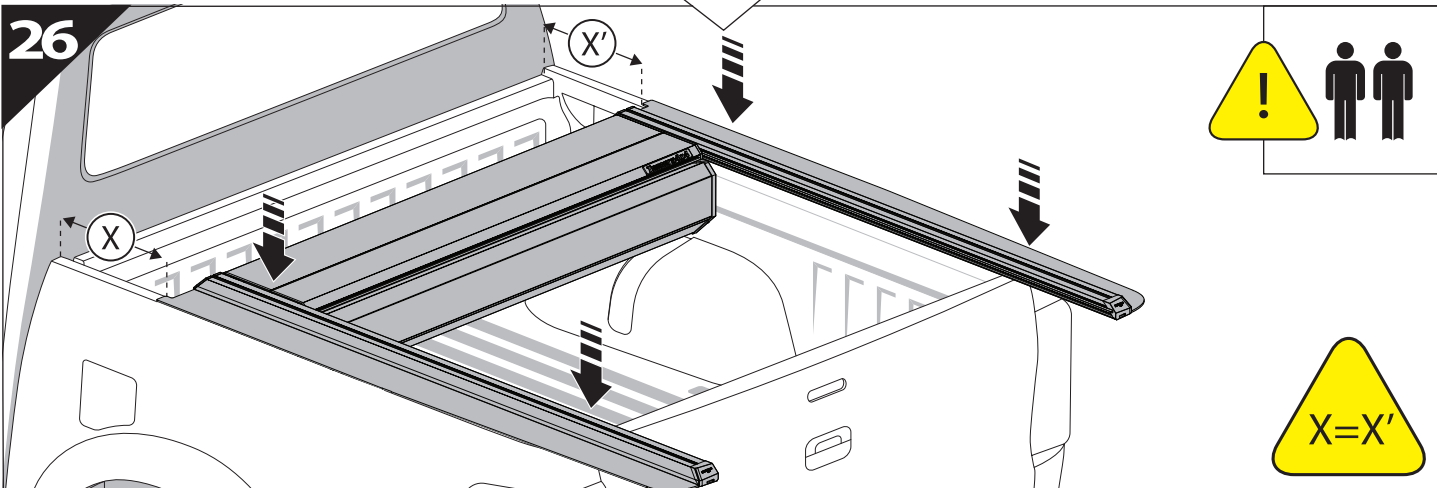
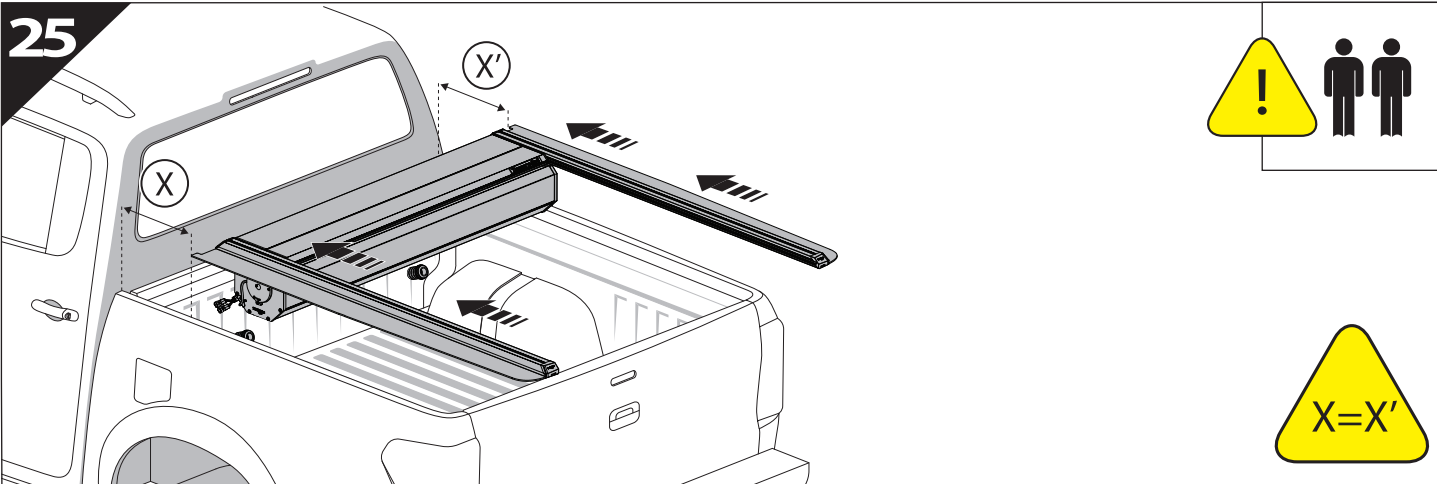


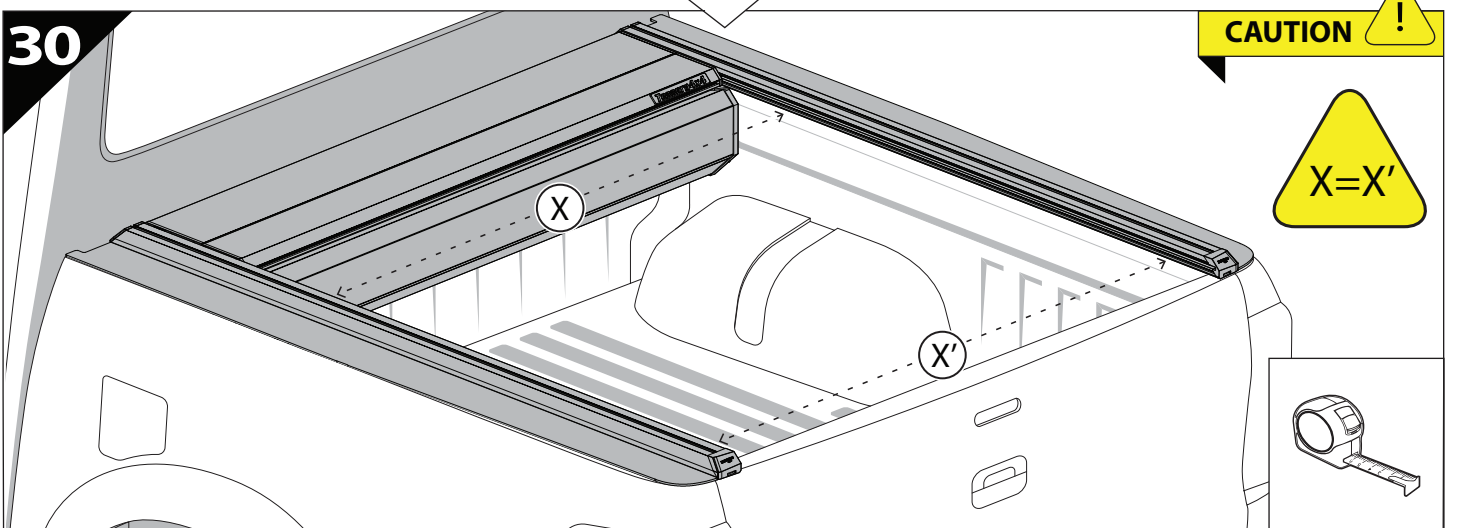
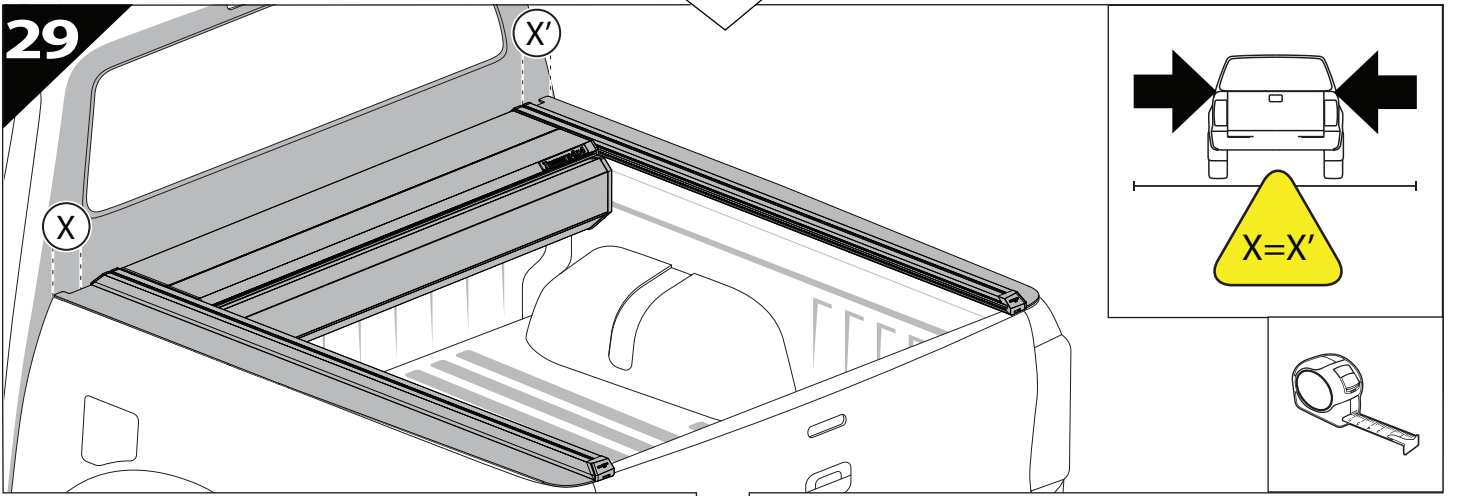
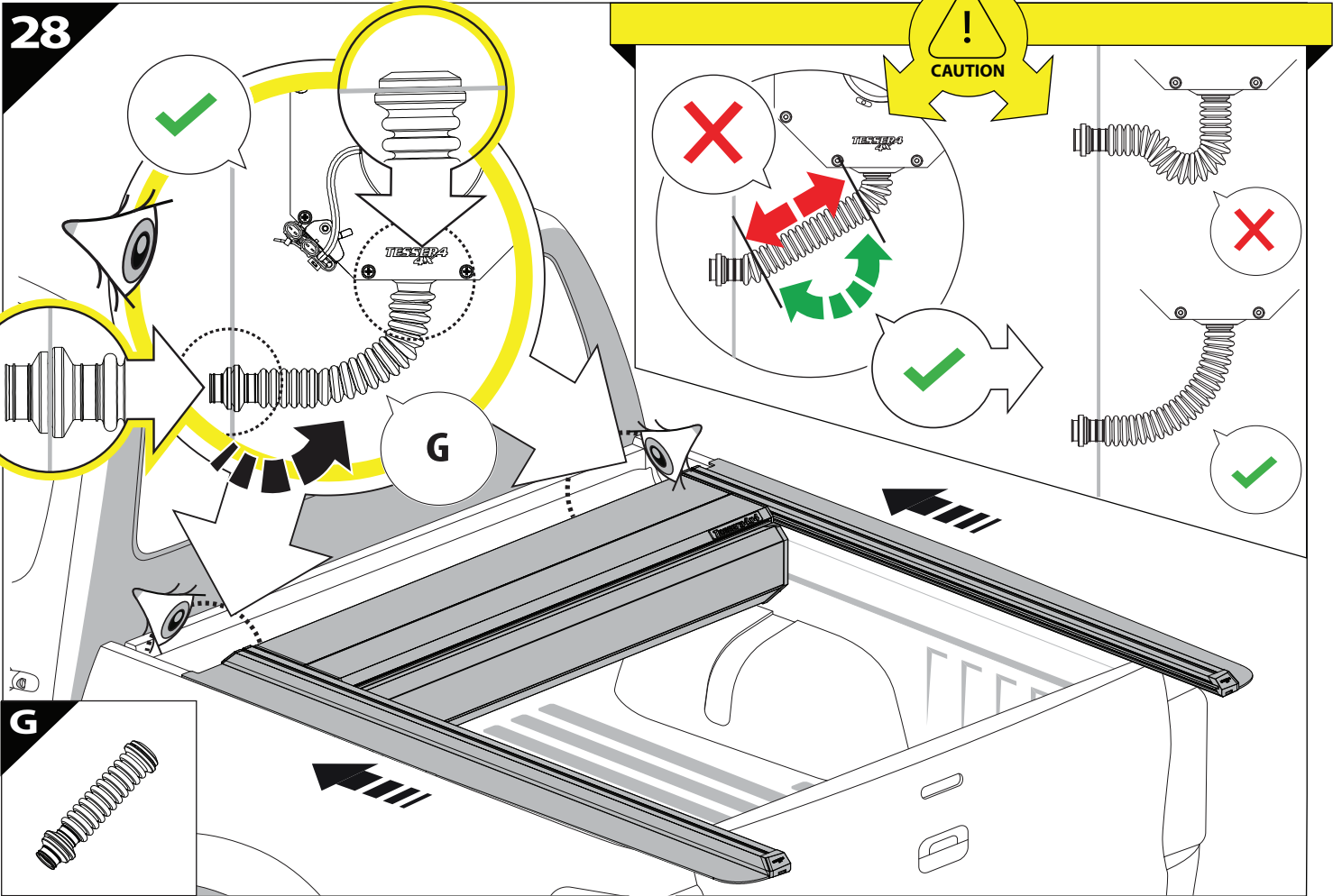




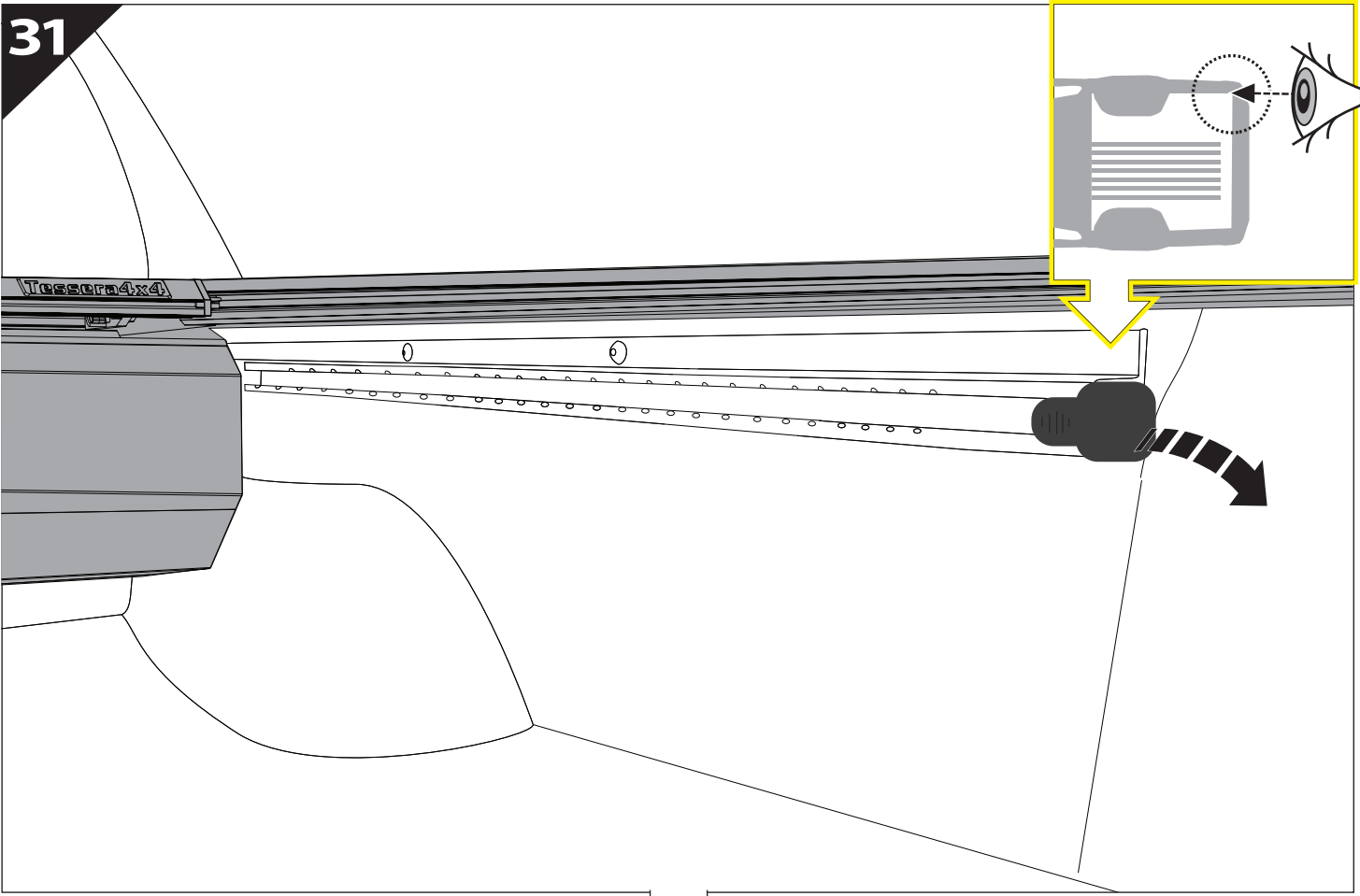




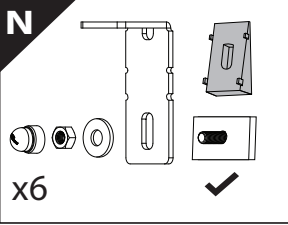
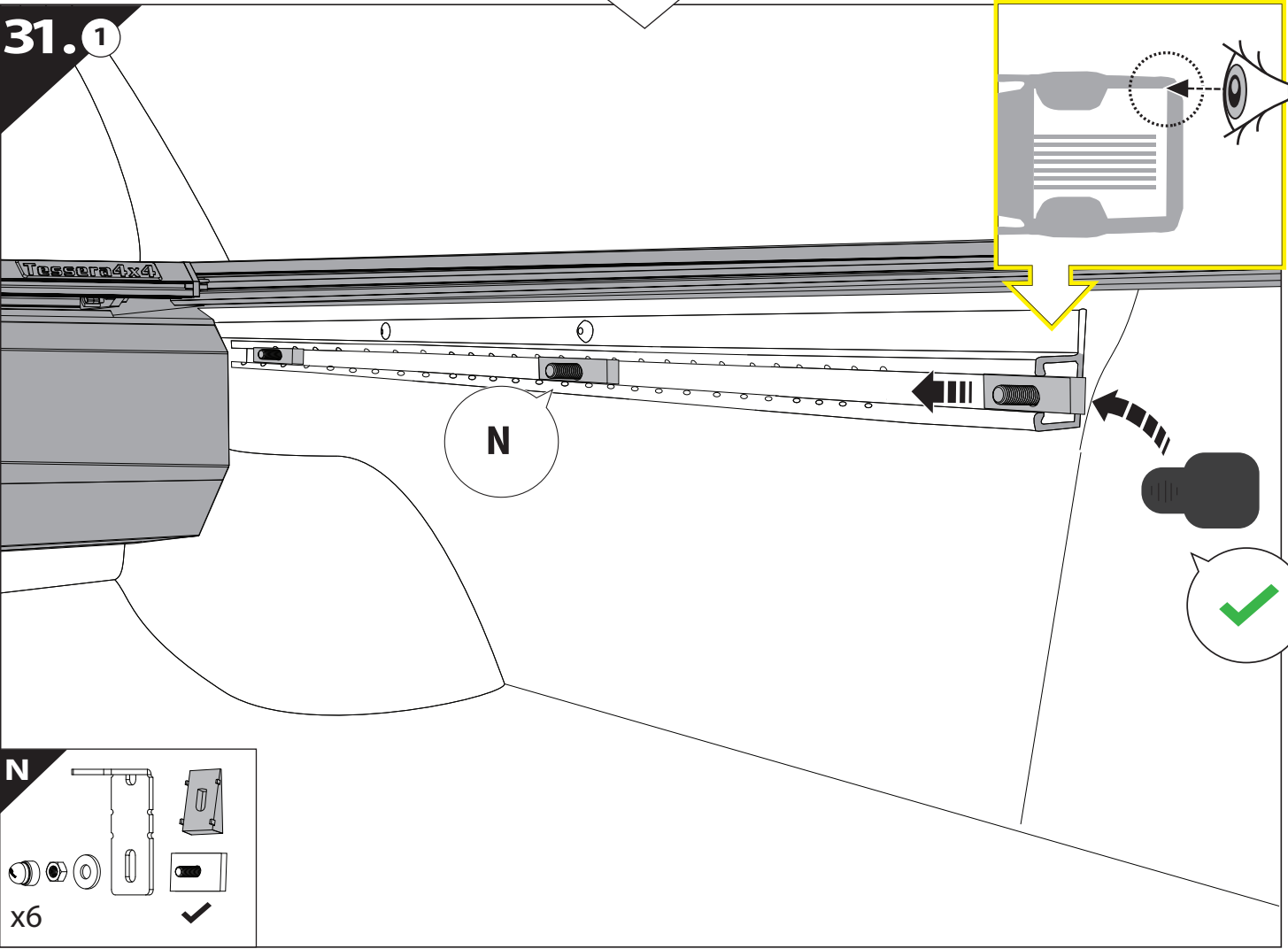




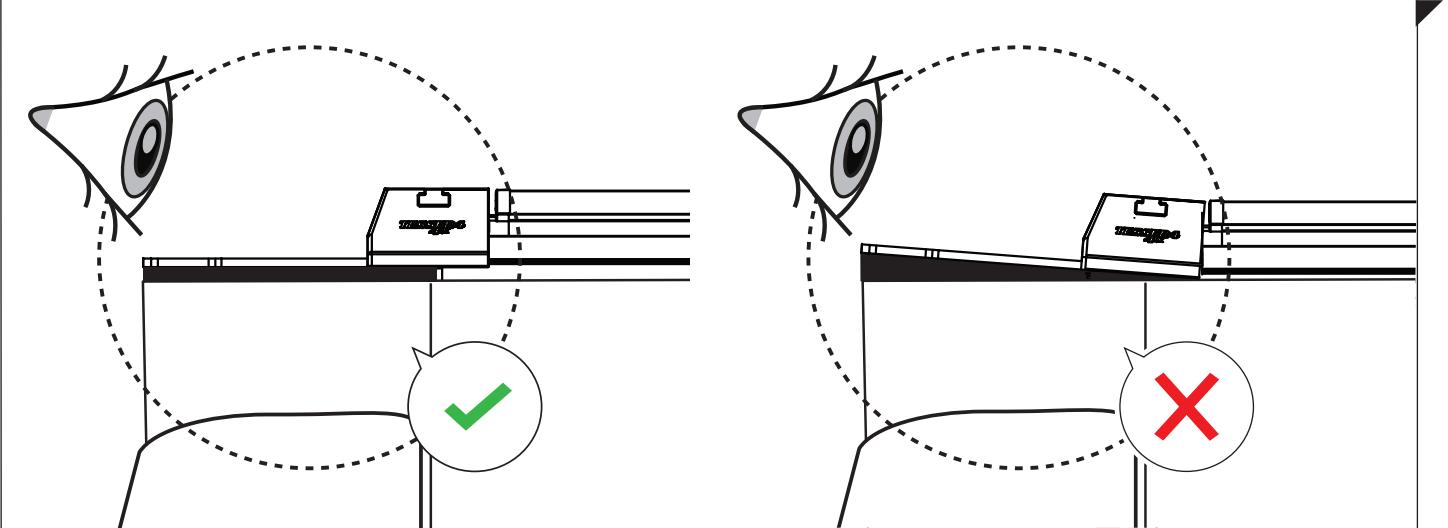
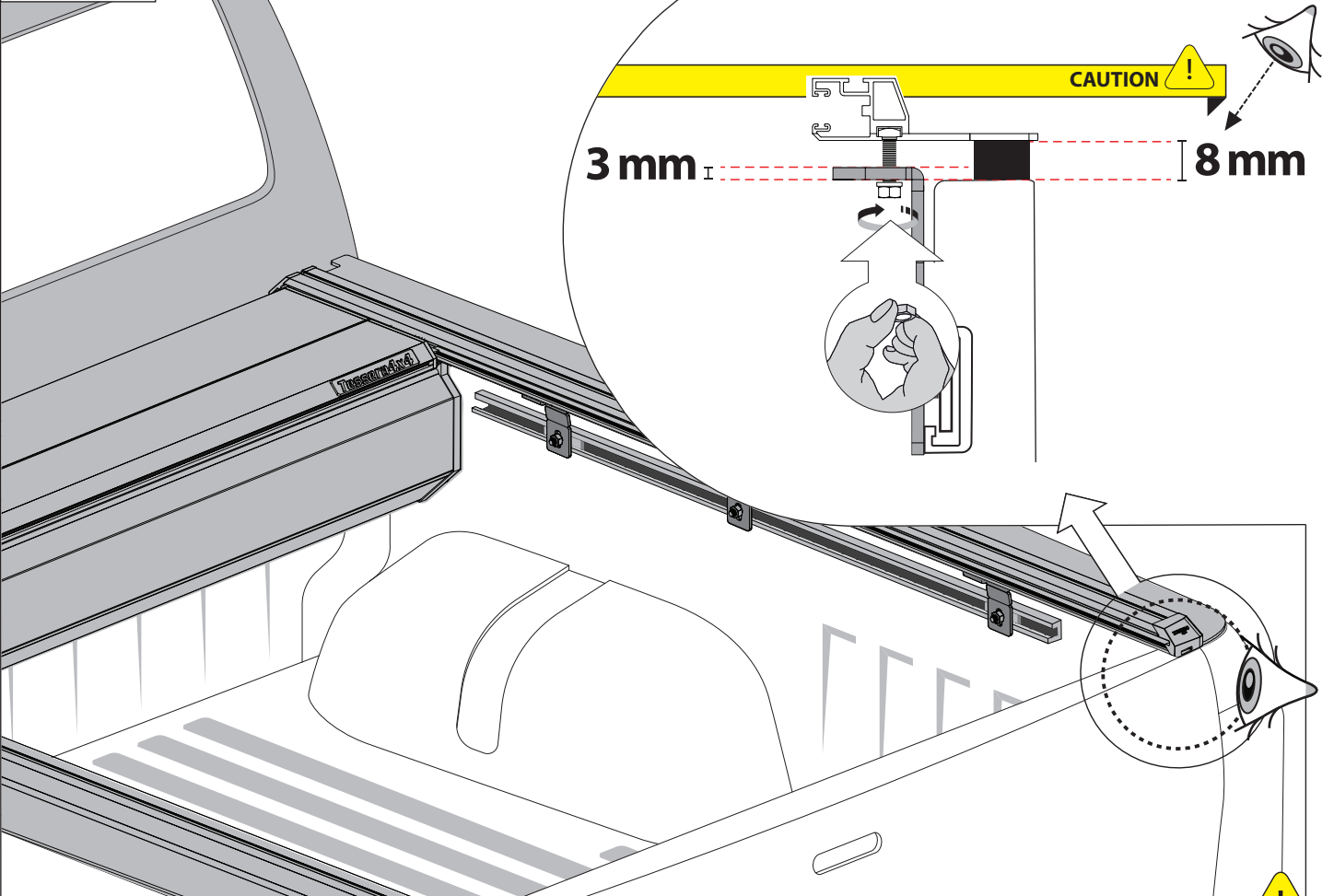
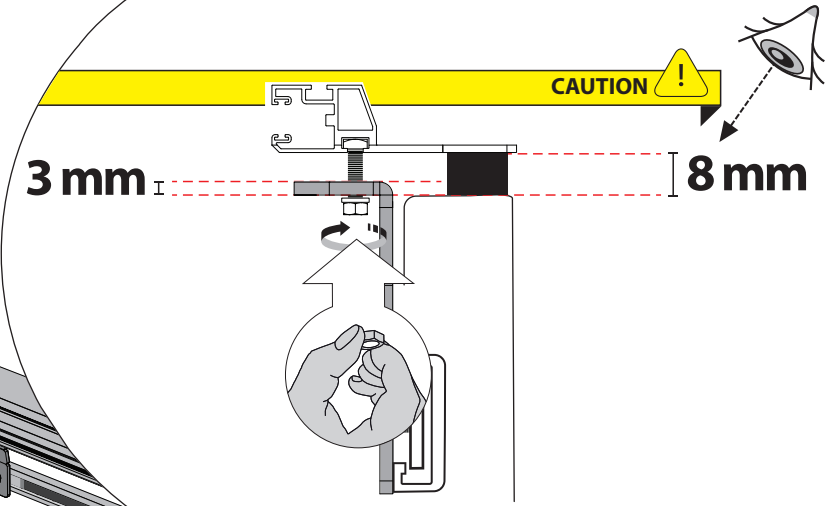
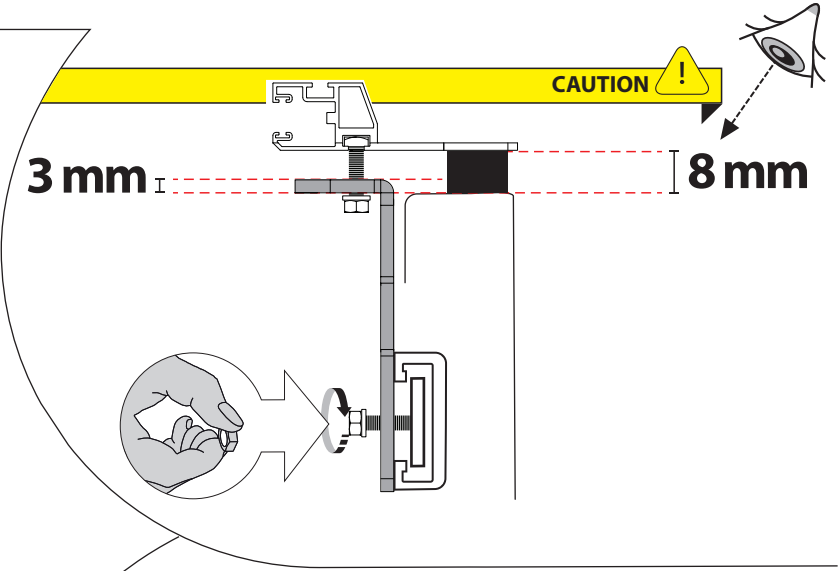
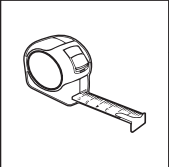
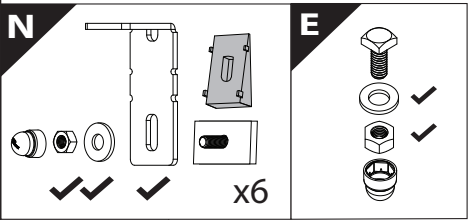
31

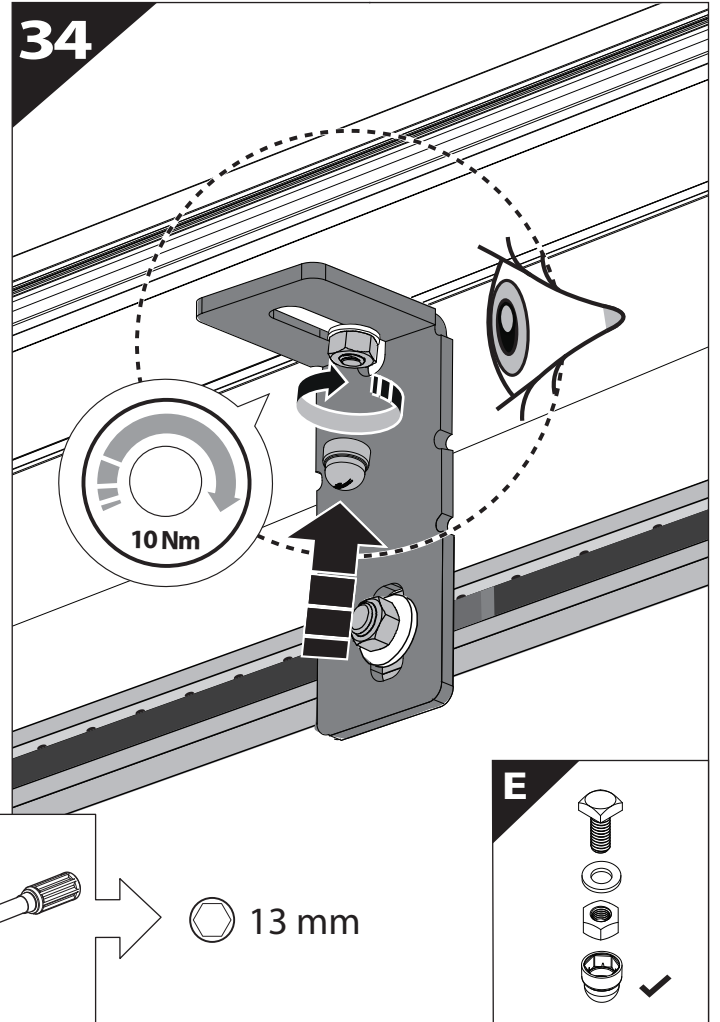
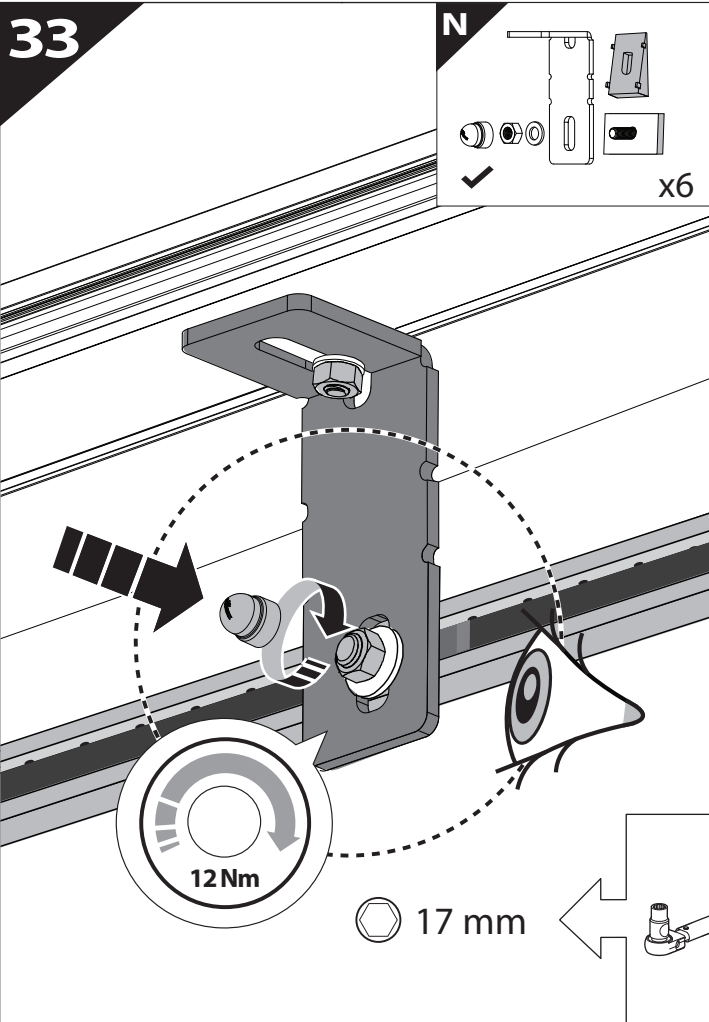


31.1

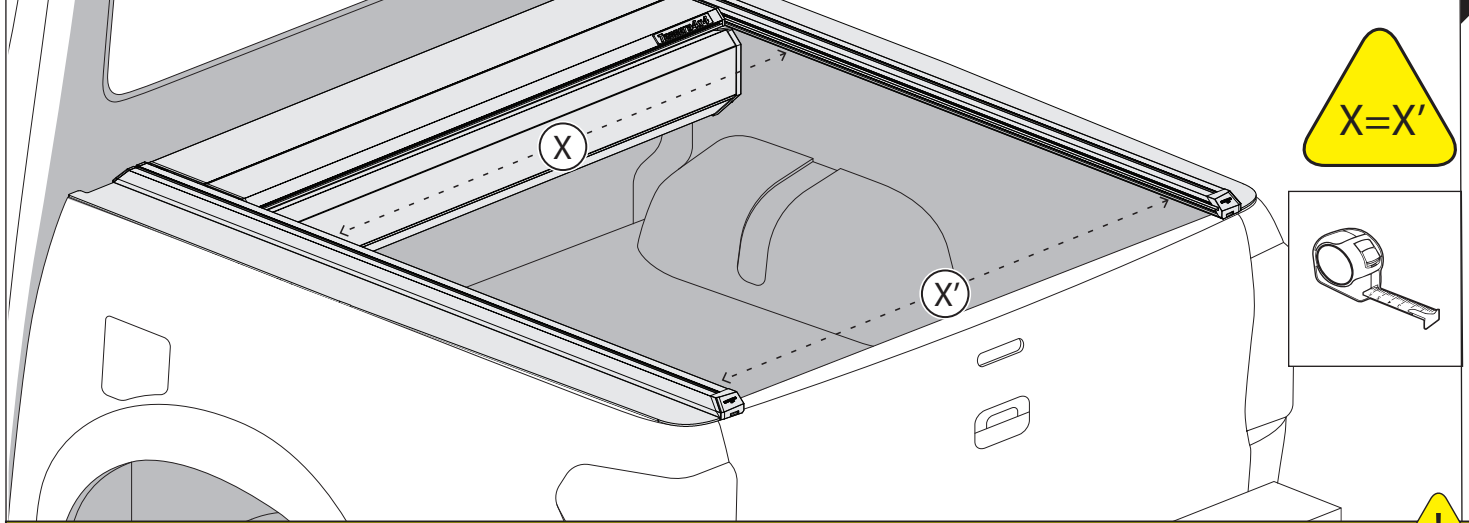


32

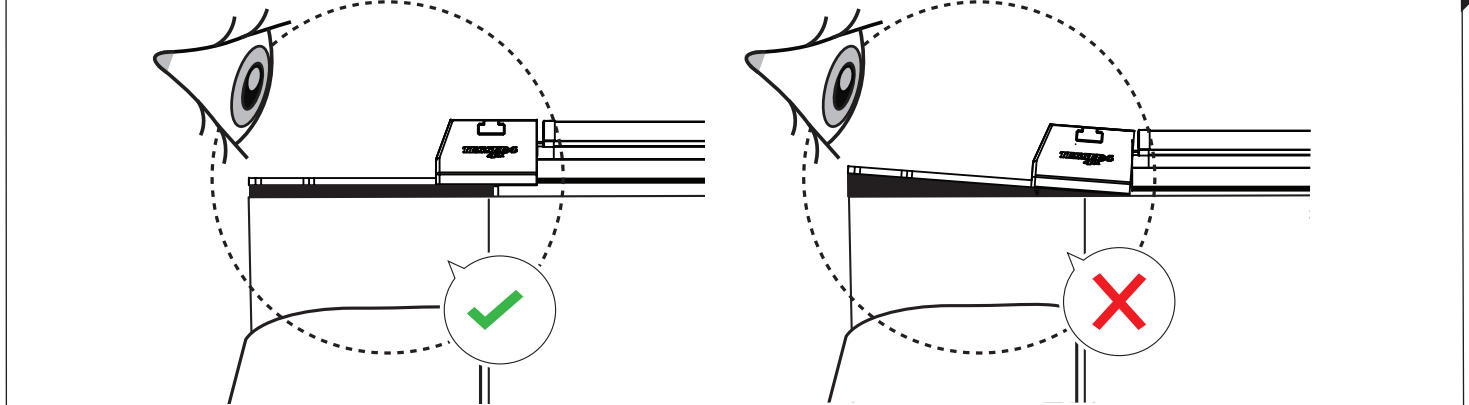


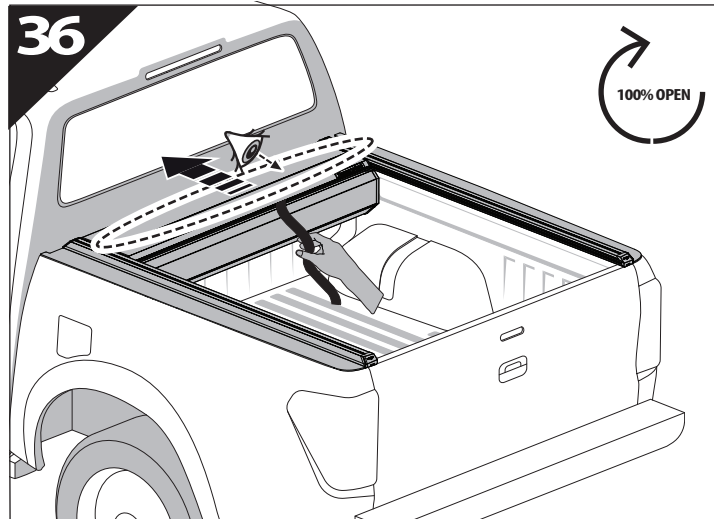
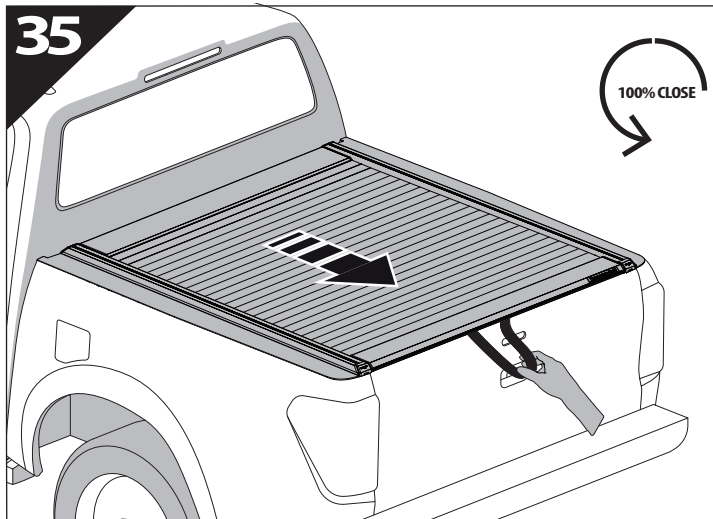


**CAUTION** !



**CAUTION** !





**GR:** Οδηγίες Εγκατάστασης  
**GB:** Installation manual  
**SF:** Asennusohje  
**F:** Notice de montage  
**PL:** Instrukcja montażu  
**NL:** Installatie-instructies  
**TR:** Montaj Talimatı  
**S:** Monteringsanvisning  
**E:** Instrucciones de montaje

**H:** Szerelési utasítás  
**P:** Instruções de instalação  
**RUS:** Инструкция по установке  
**N:** Monteringsveiledning  
**D:** Einbauanleitung  
**CZ:** Návod k instalaci  
**I:** Istruzioni de montaggio  
**DK:** Monteringsvejledning  
**RO:** Instructiuni de instalare

Customer Service:

+30 (210) 5541161, +30 (210) 5541154 (08:00 - 16:00 EET)

Support department:

info@gianso.gr

Website:

www.tessera4x4.com

Address:

19.5 km of National road Athens-Korinthos (Elefsina) Greece, P.C: 19200