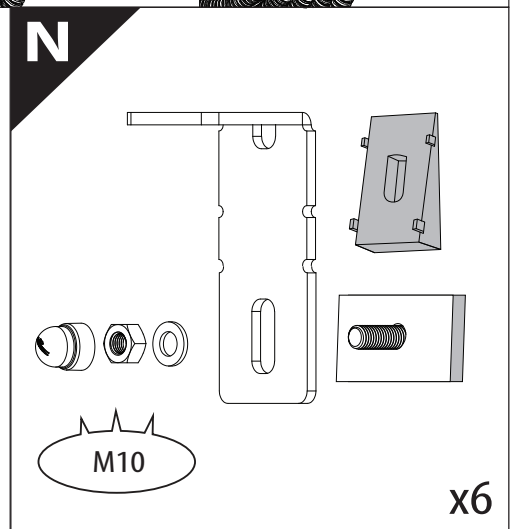
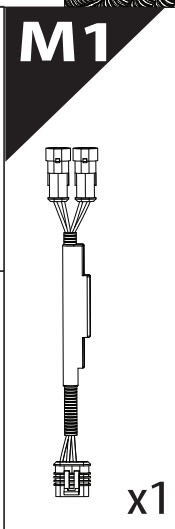
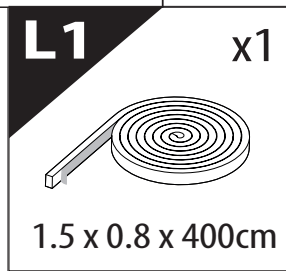
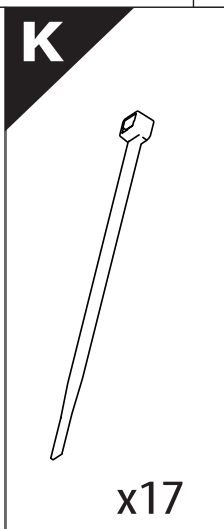
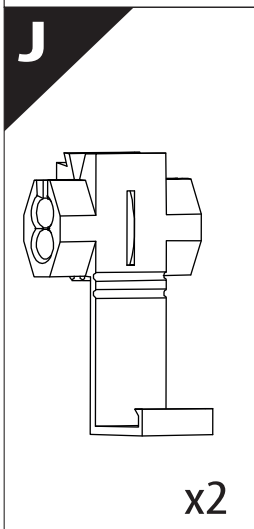
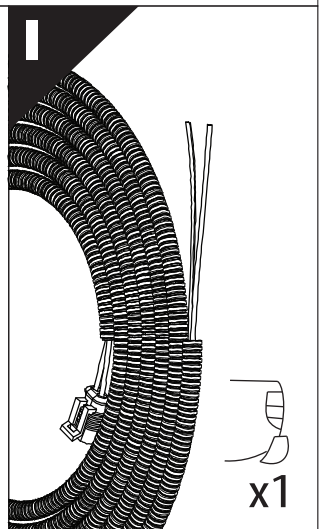
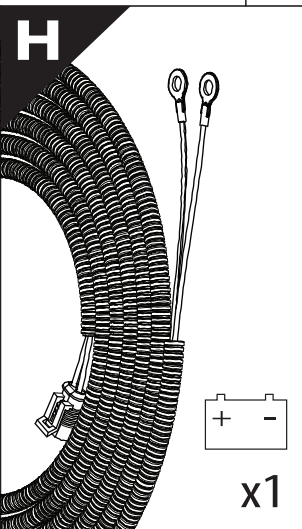
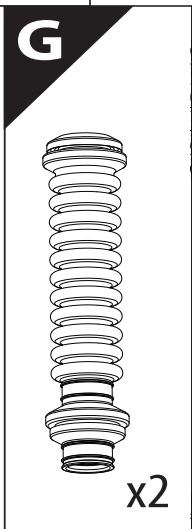
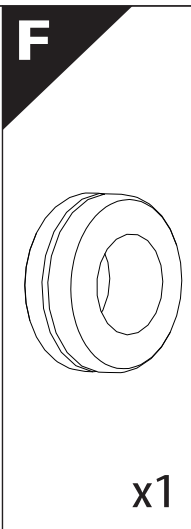
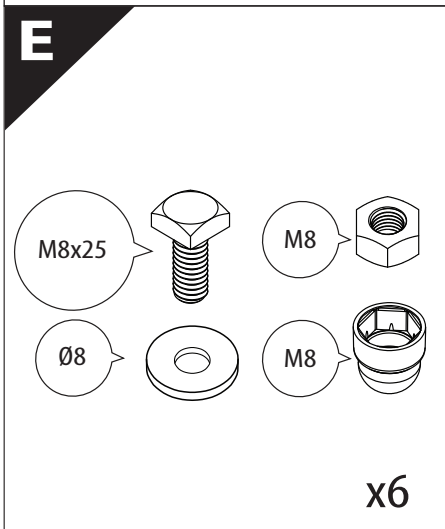
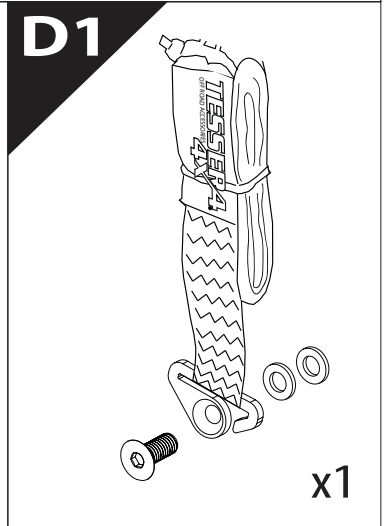
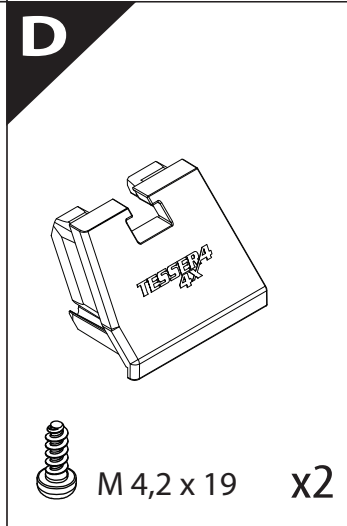
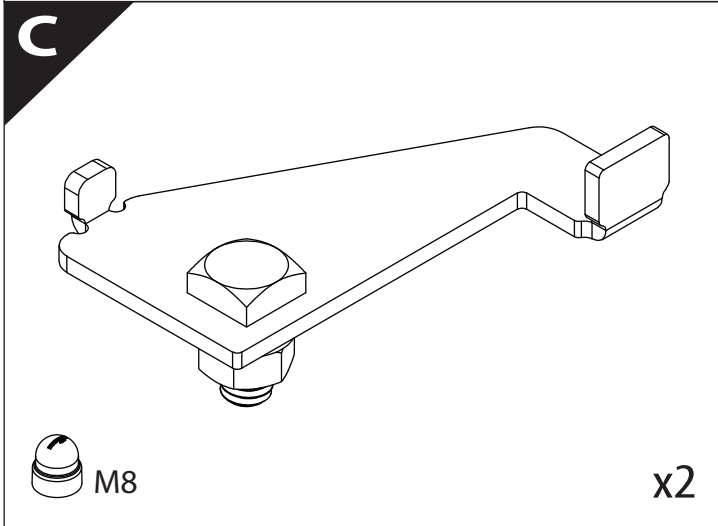
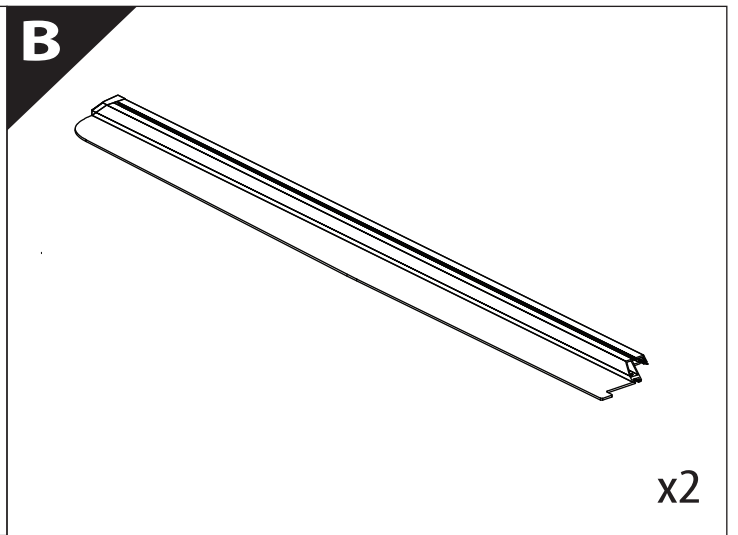
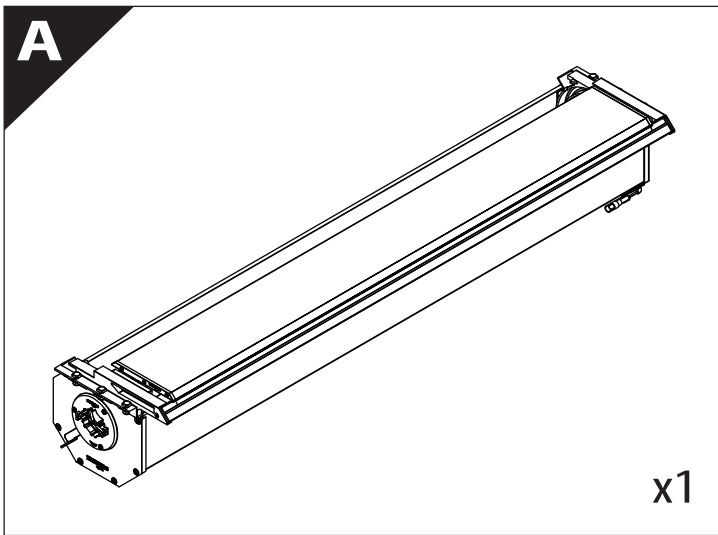
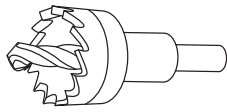




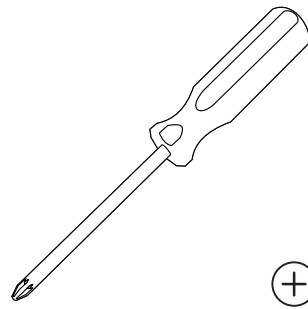
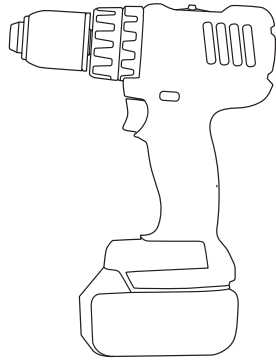
Installation Manual

| PART NUMBER(S) | Model Year |
|-----------------------|-----------------------------------|
| TESS 1430 ROLL | Toyota Tacoma 2016+ |
| Cab(s) | Installation Time / Weight |
| Double Cab | 40-60 minutes / 53-57 kg |

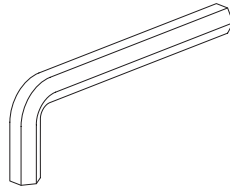
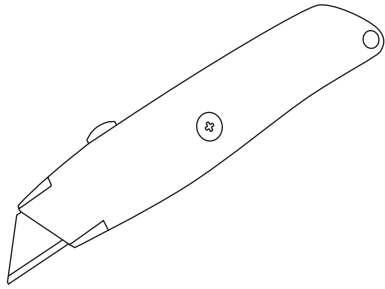
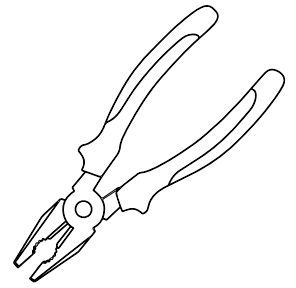




Ø 25 mm

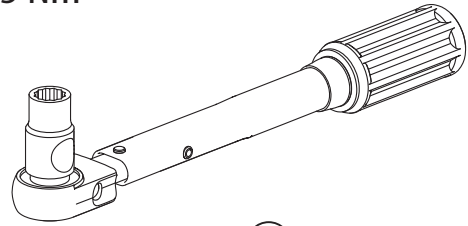


+



4 mm

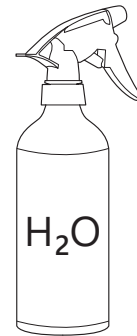
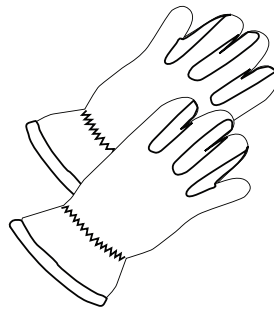
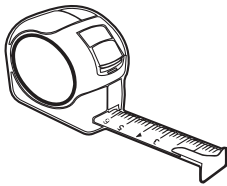
1 - 25 Nm



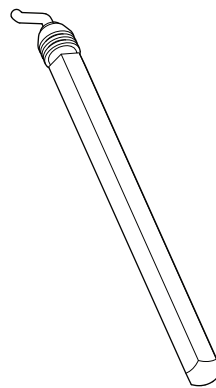
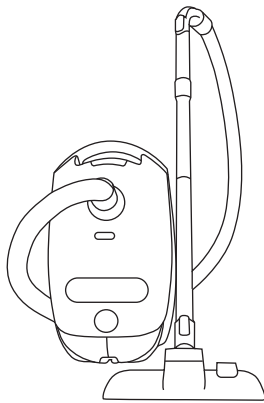
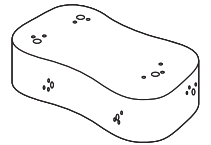
10, 12, 13, 17 mm



ACETONE



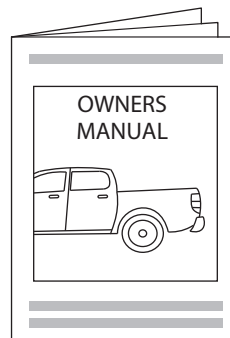
H₂O



ANTI-RUST



INSTALLATION
MANUAL

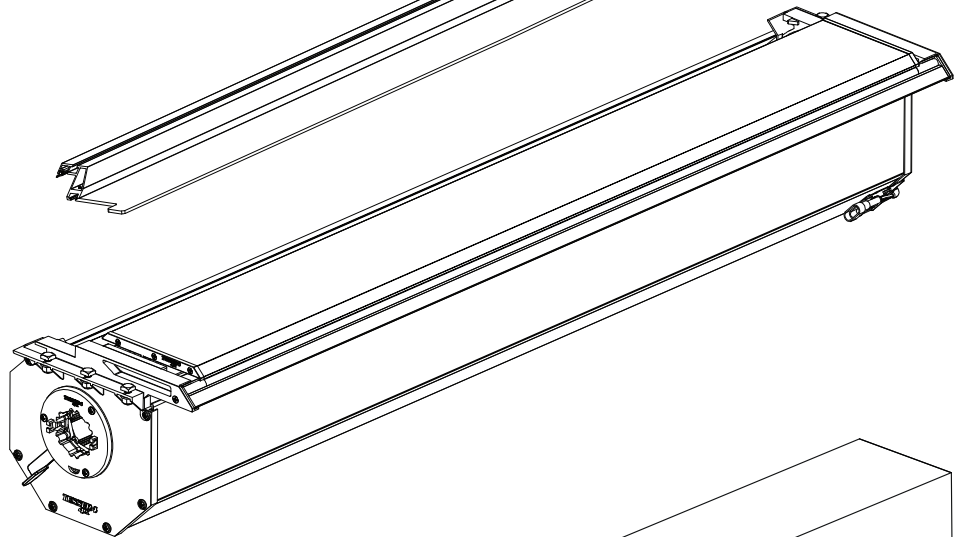


OWNERS
MANUAL

x1



B



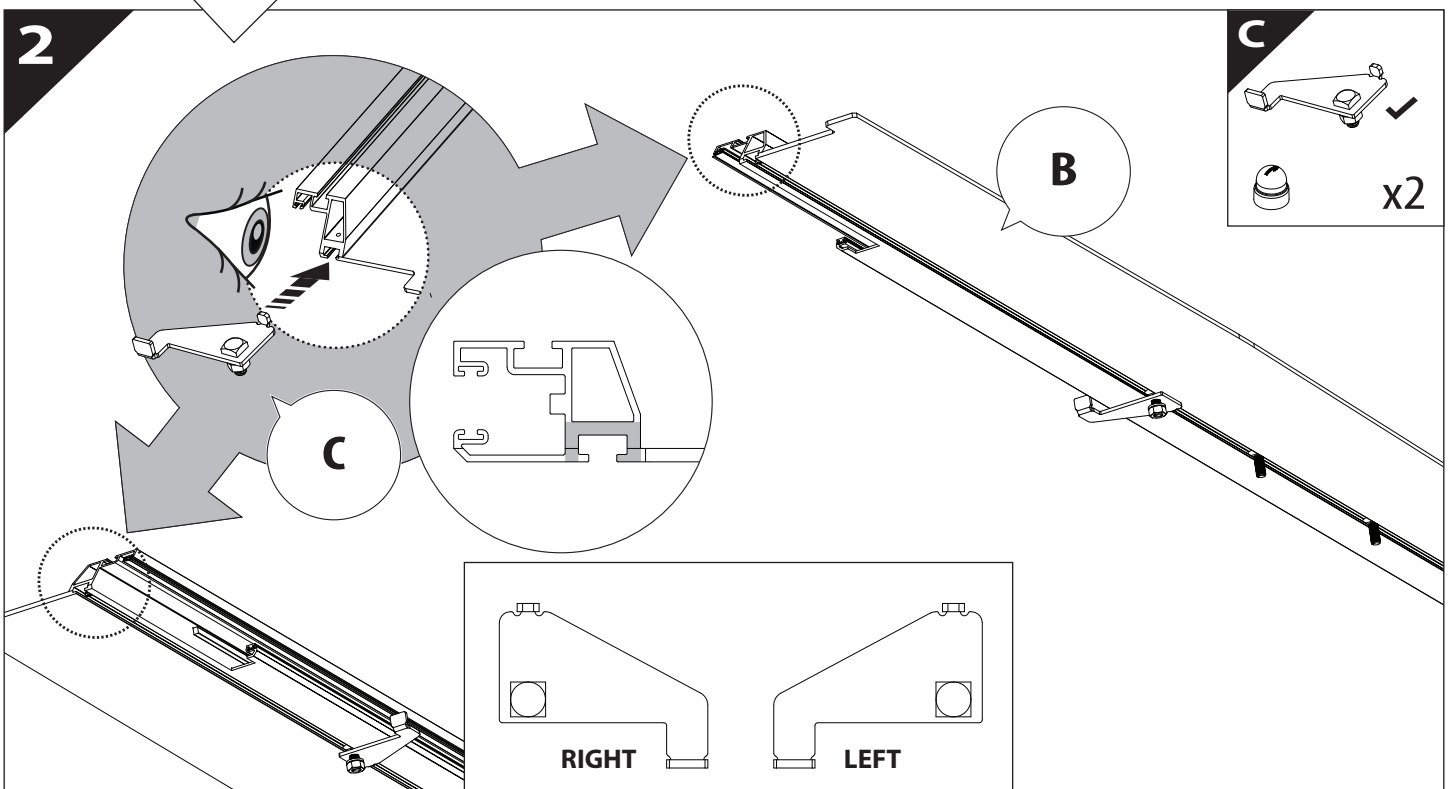
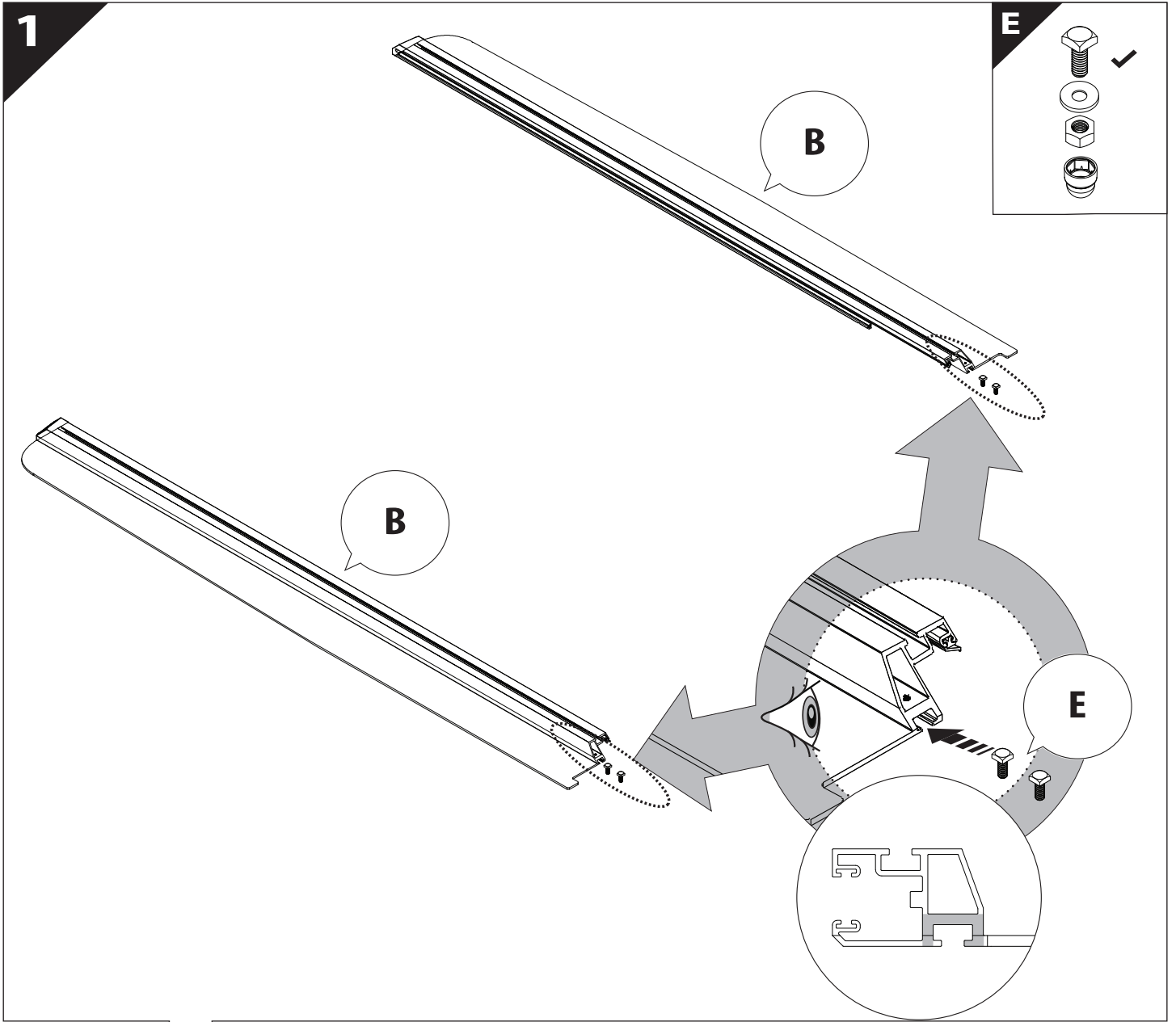
A

KITS

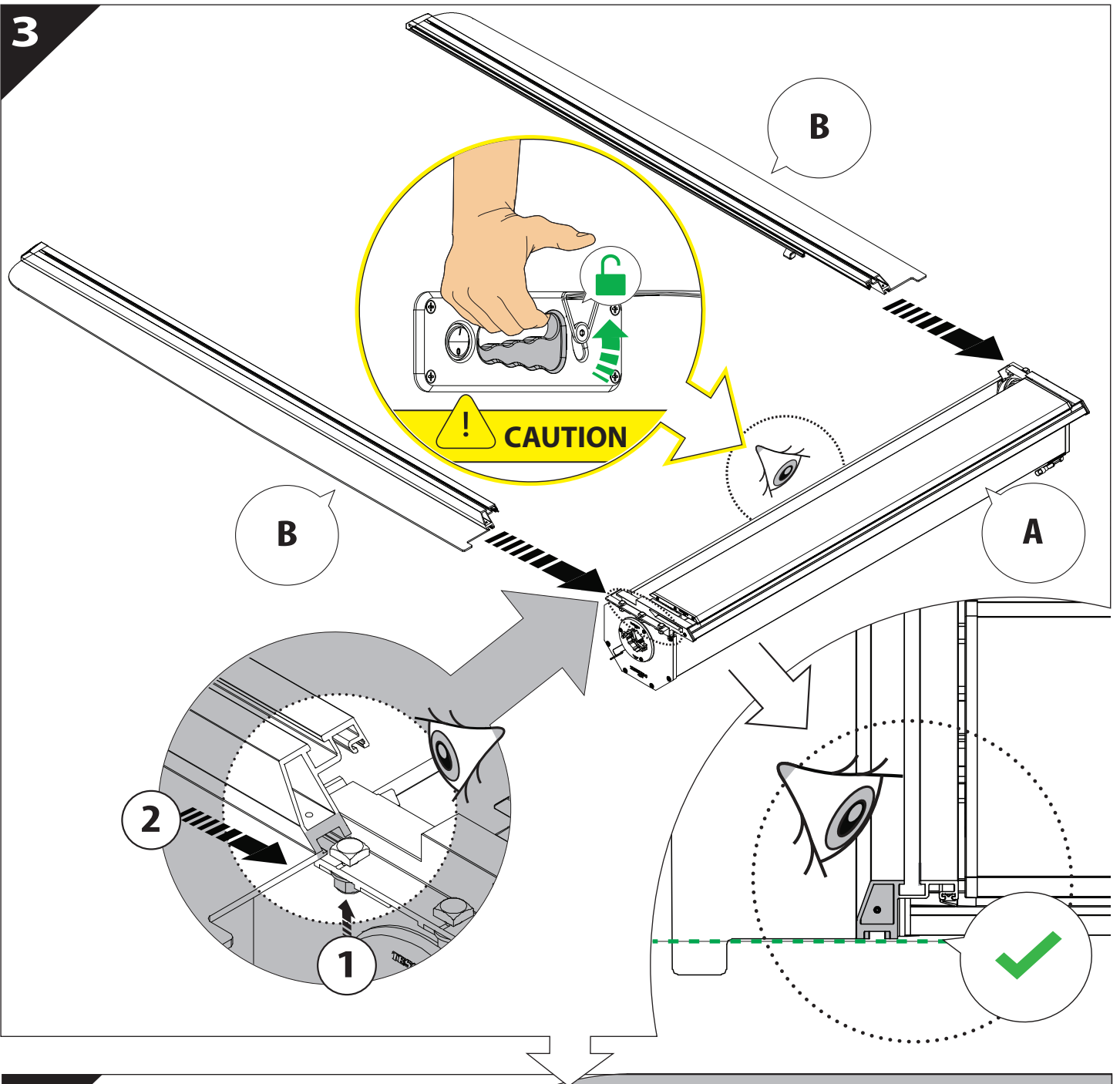


L

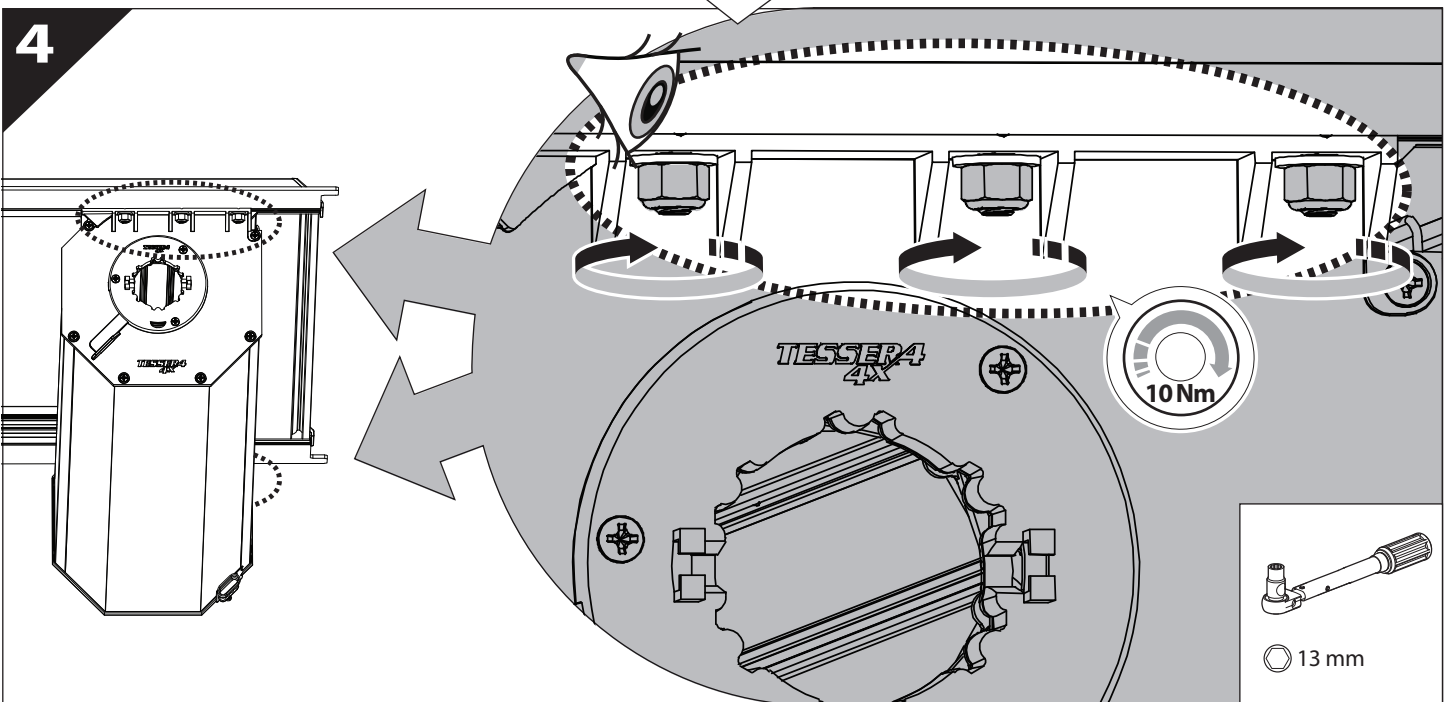


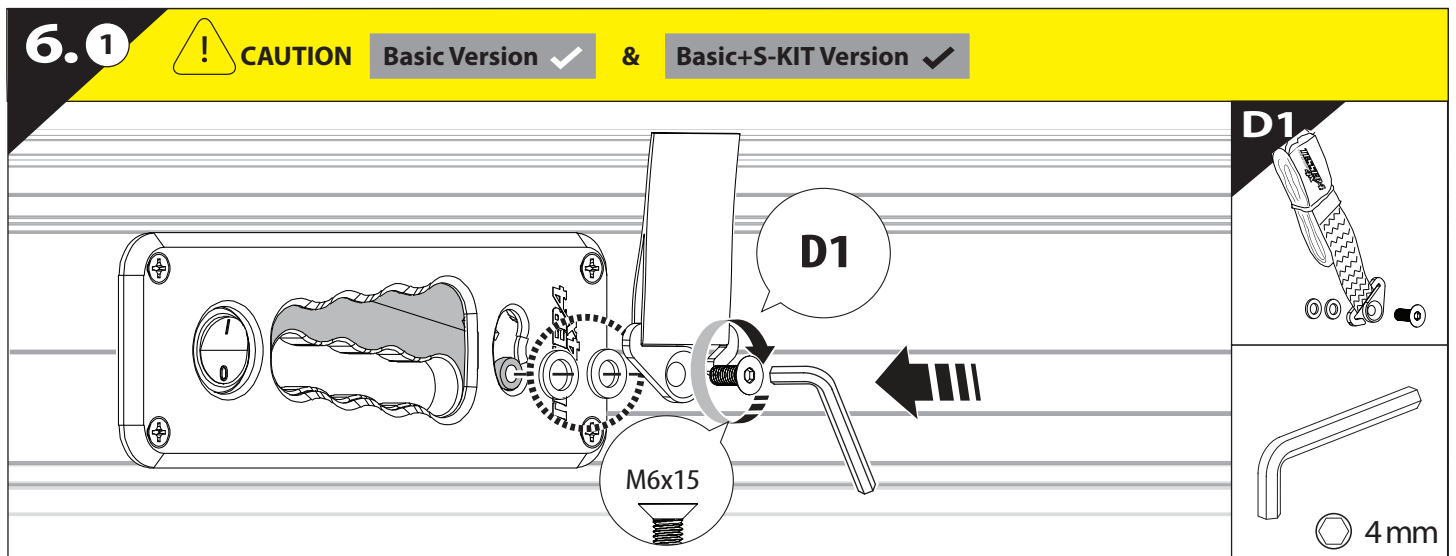
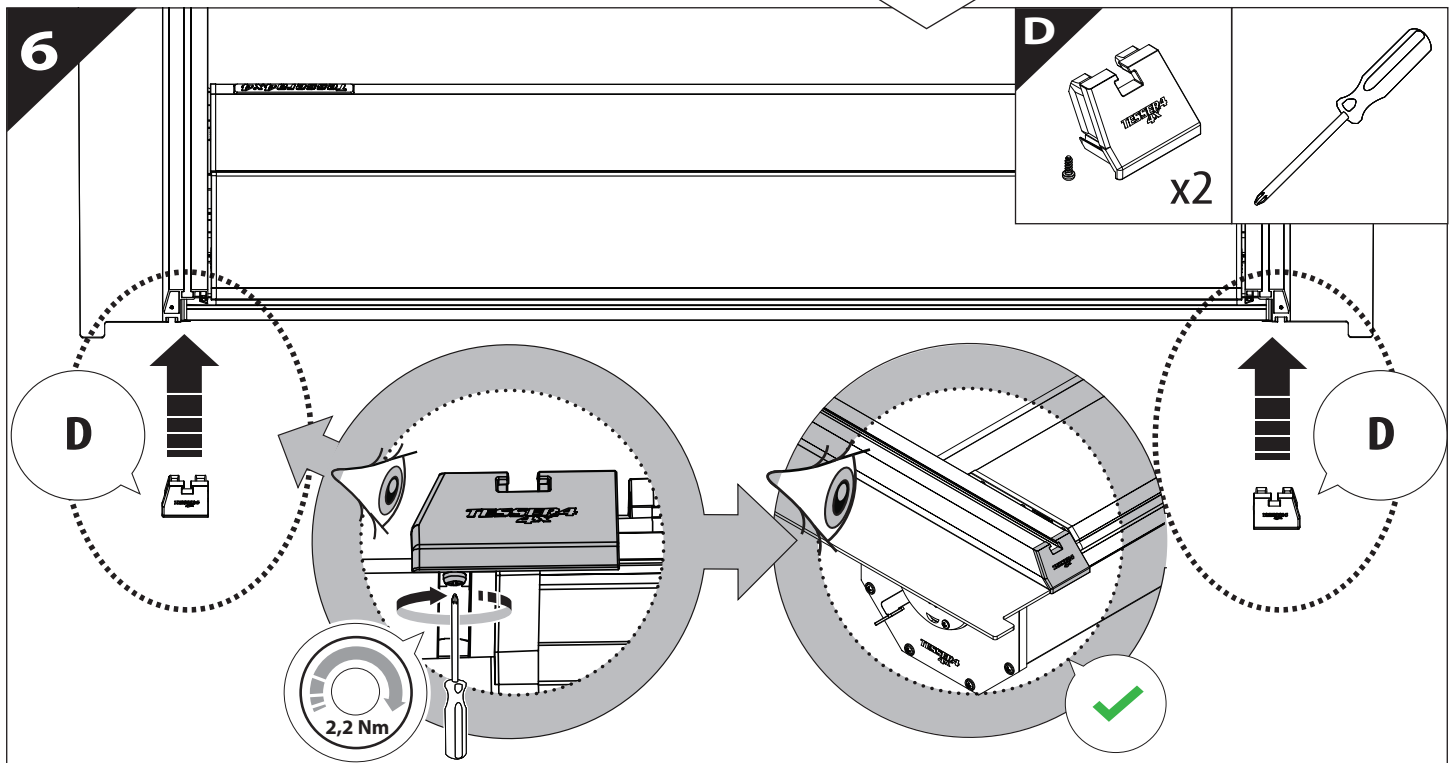
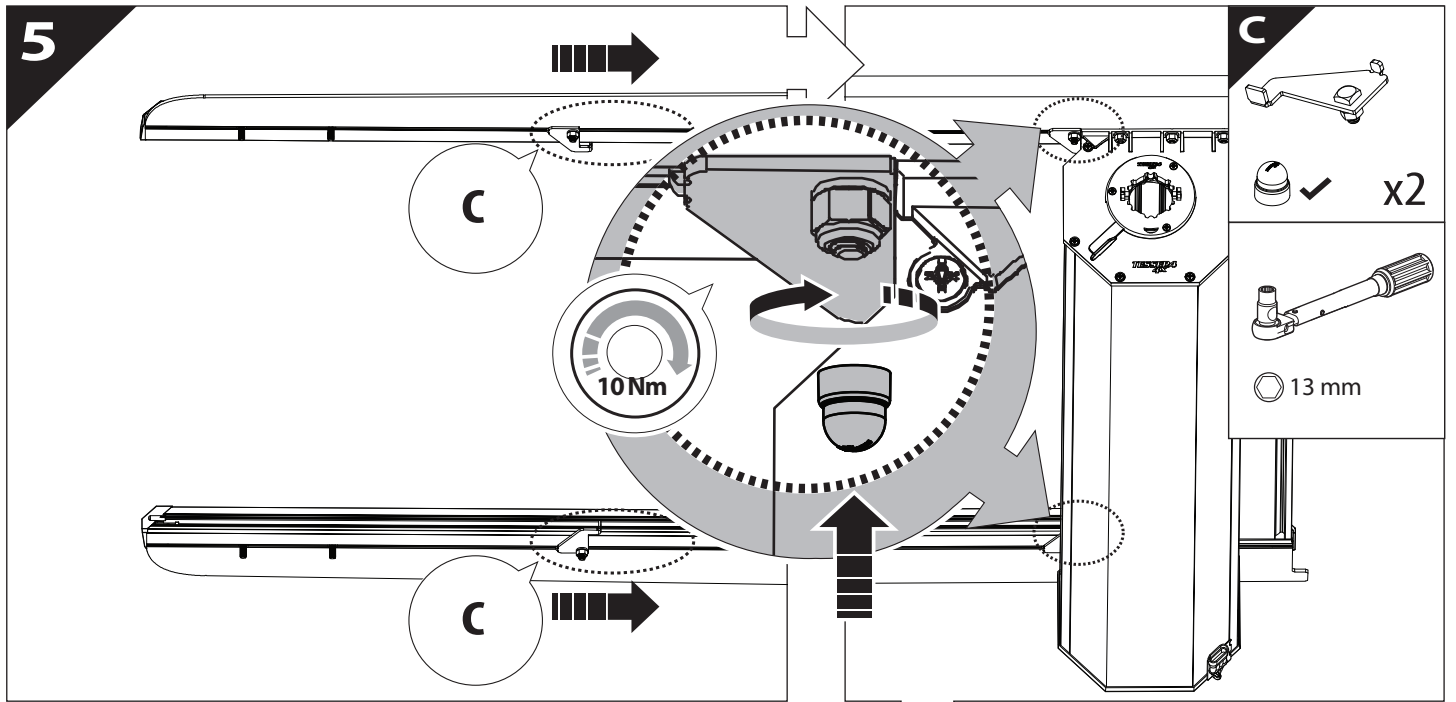


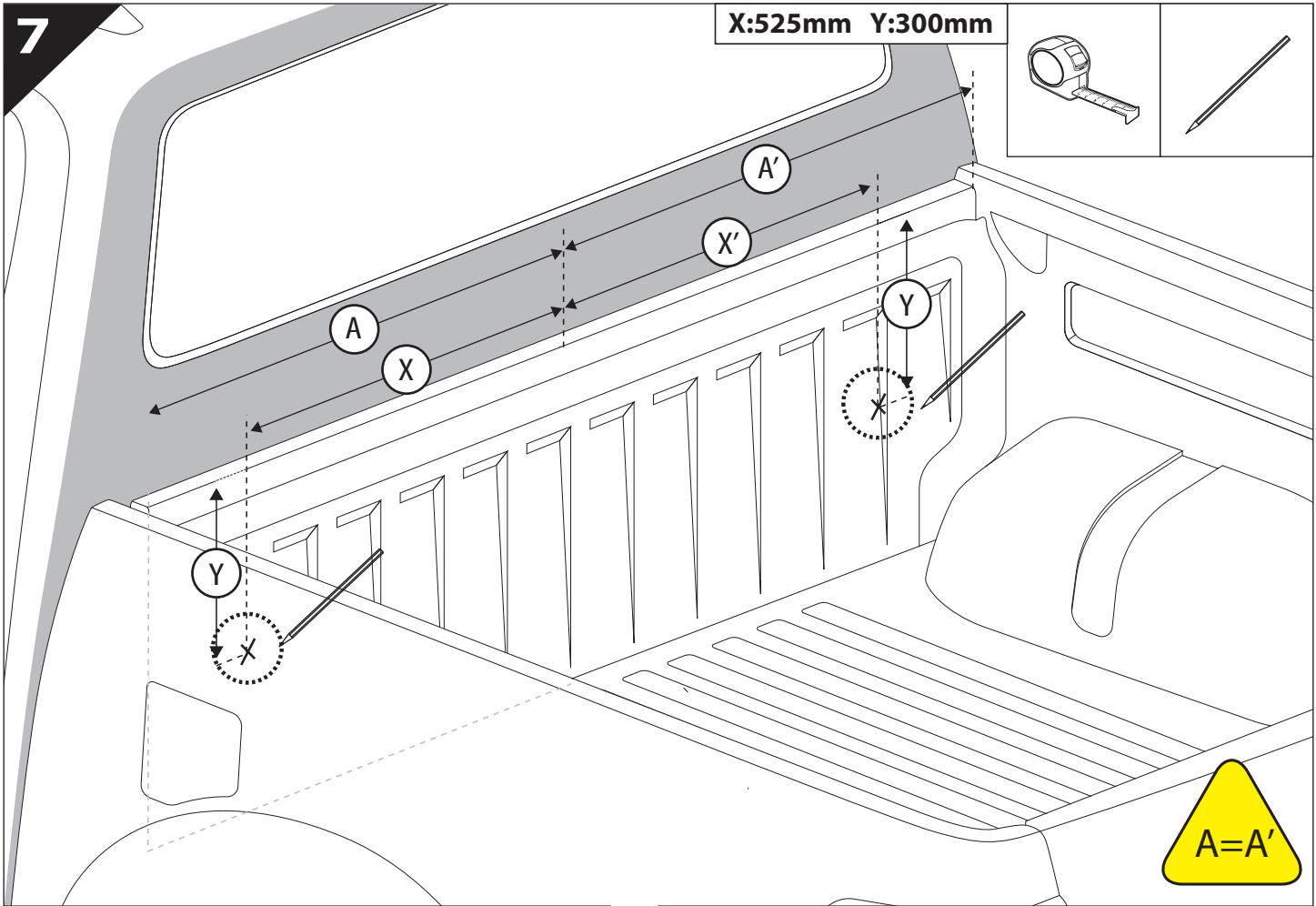
3




4








9

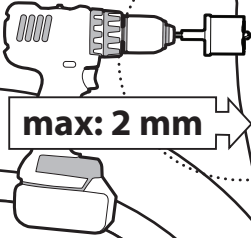


Ø 25 mm




Rust Protection

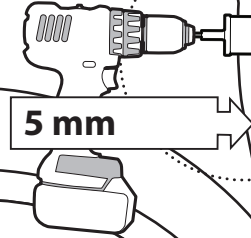
CAUTION






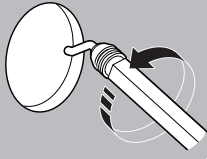

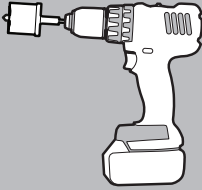

max: 2 mm

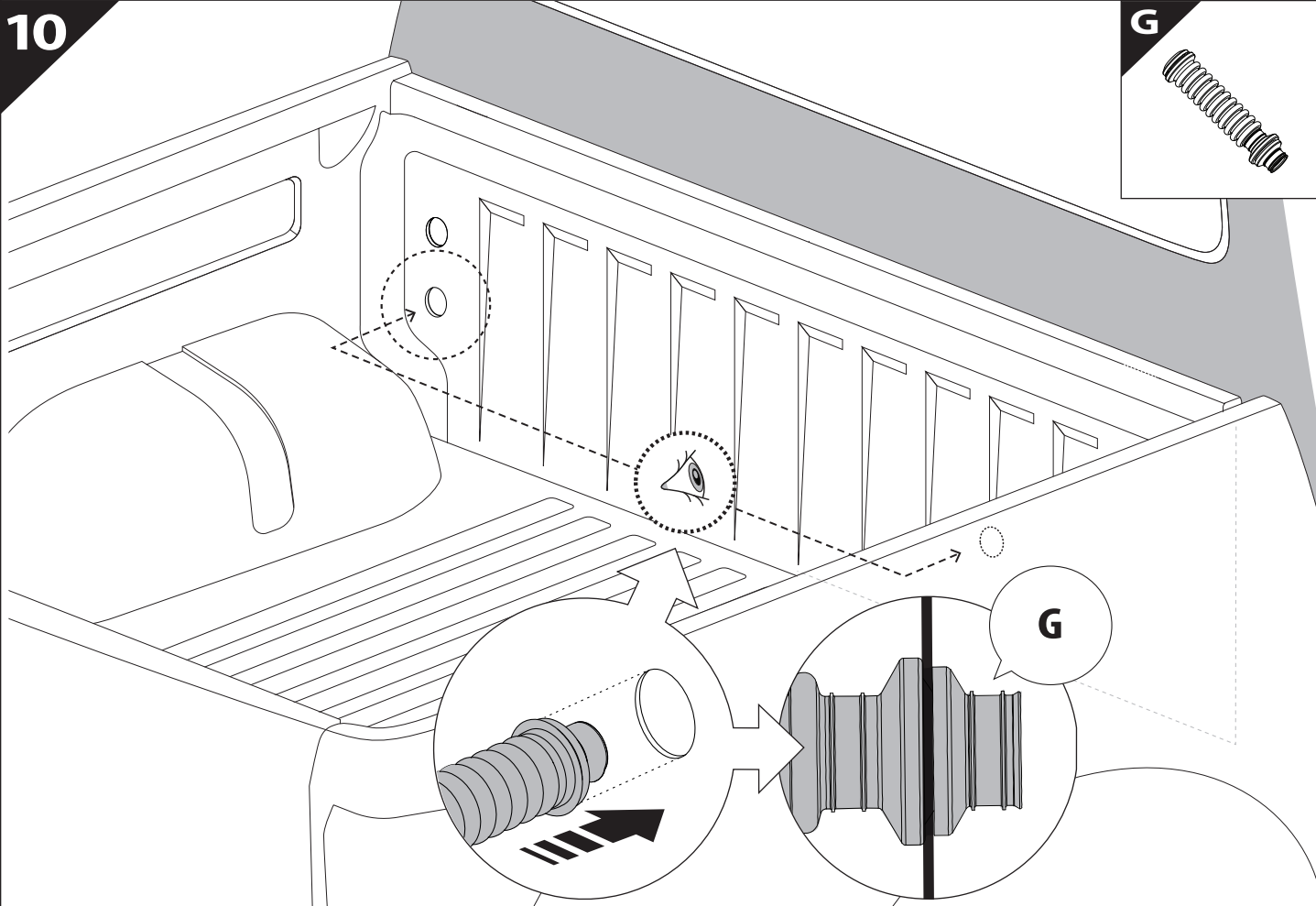


CAUTION

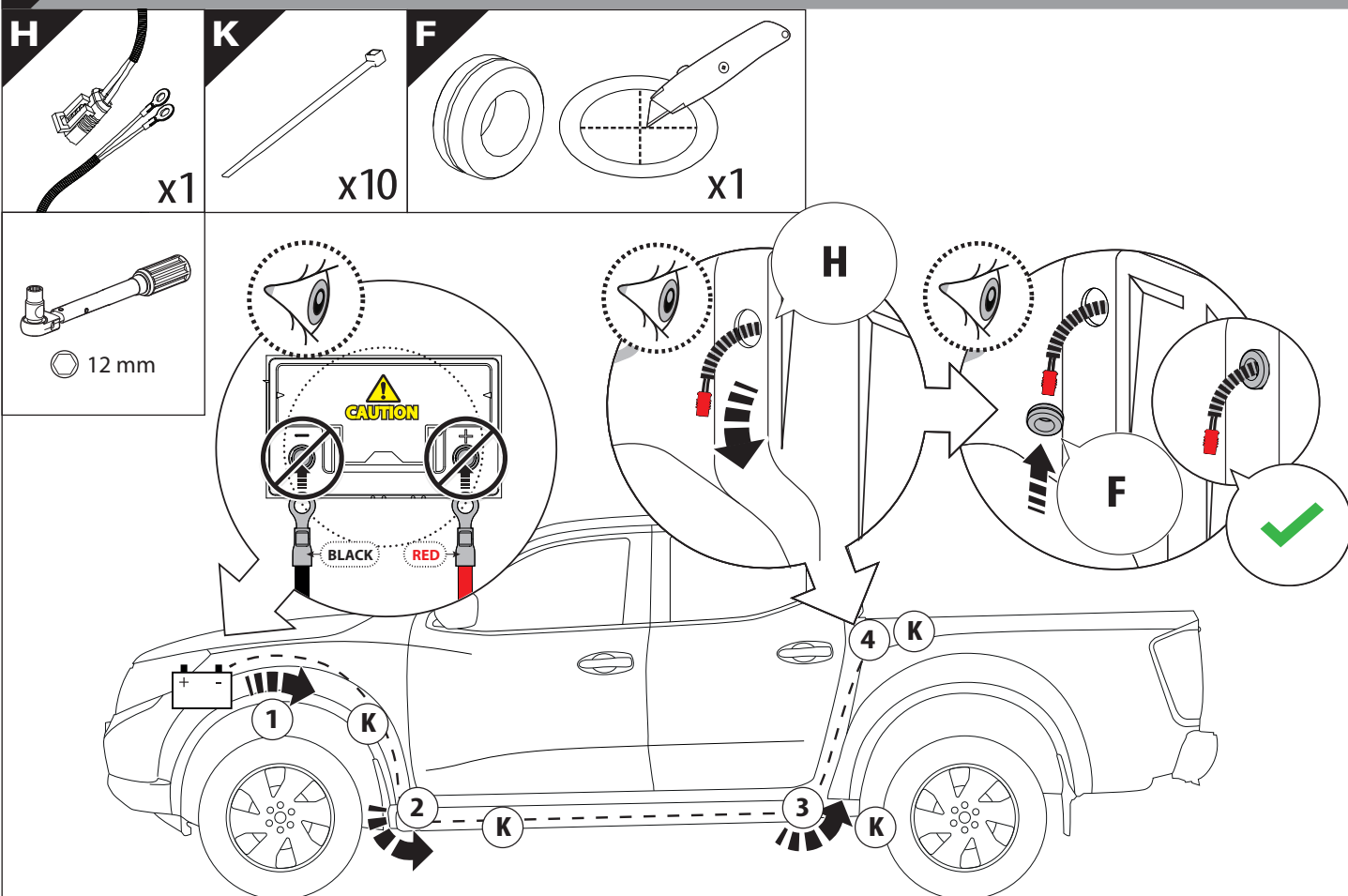


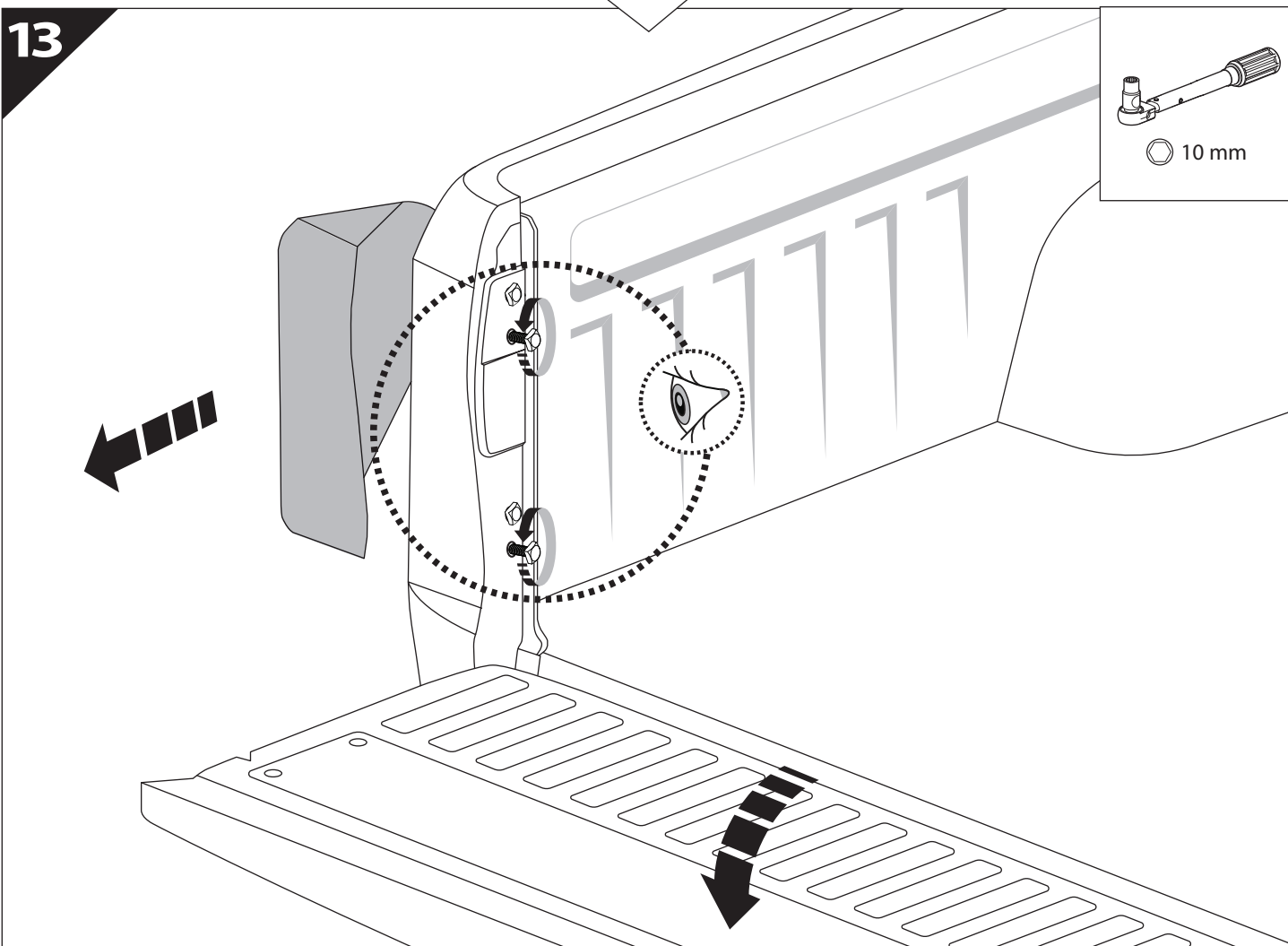
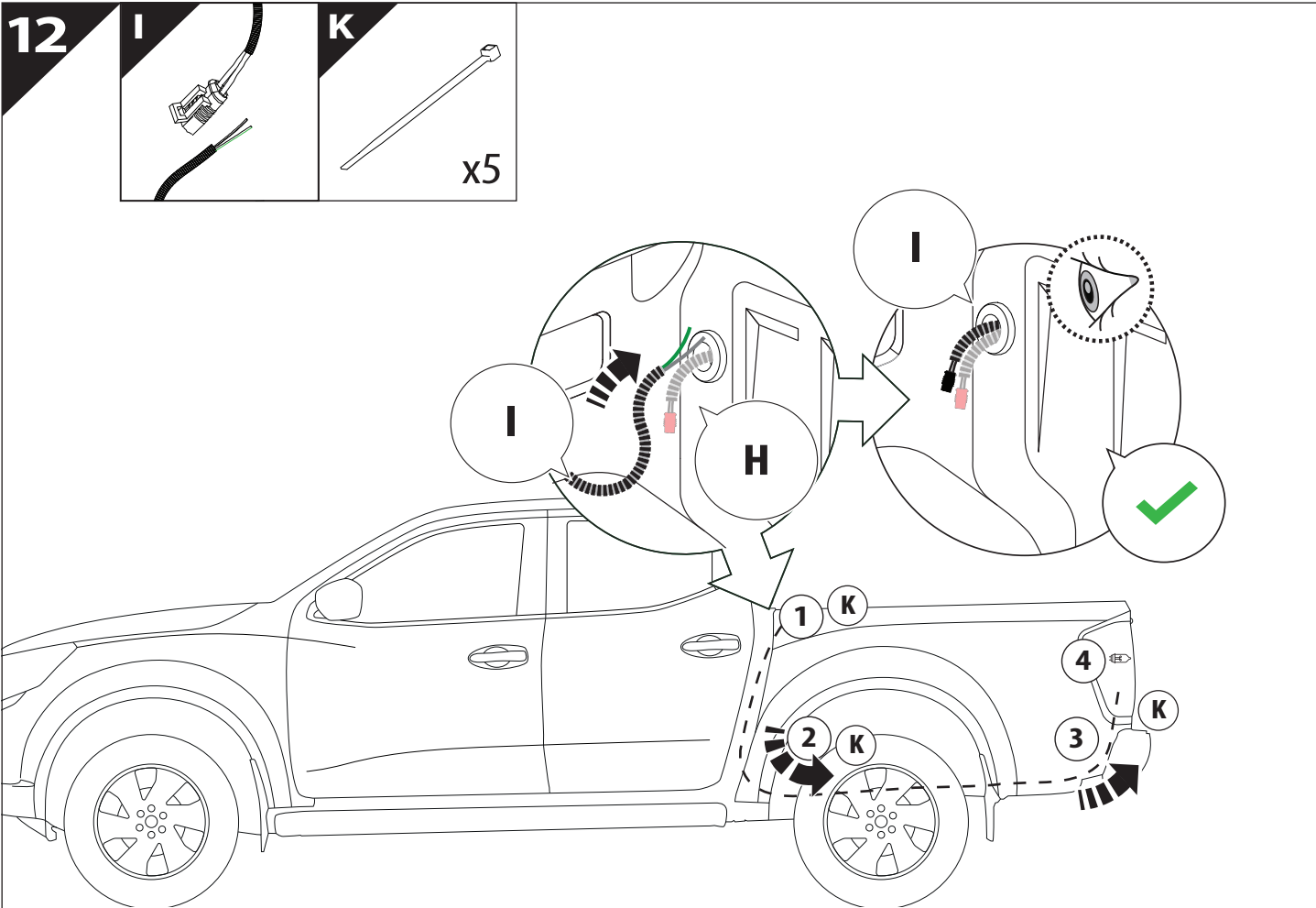
5 mm



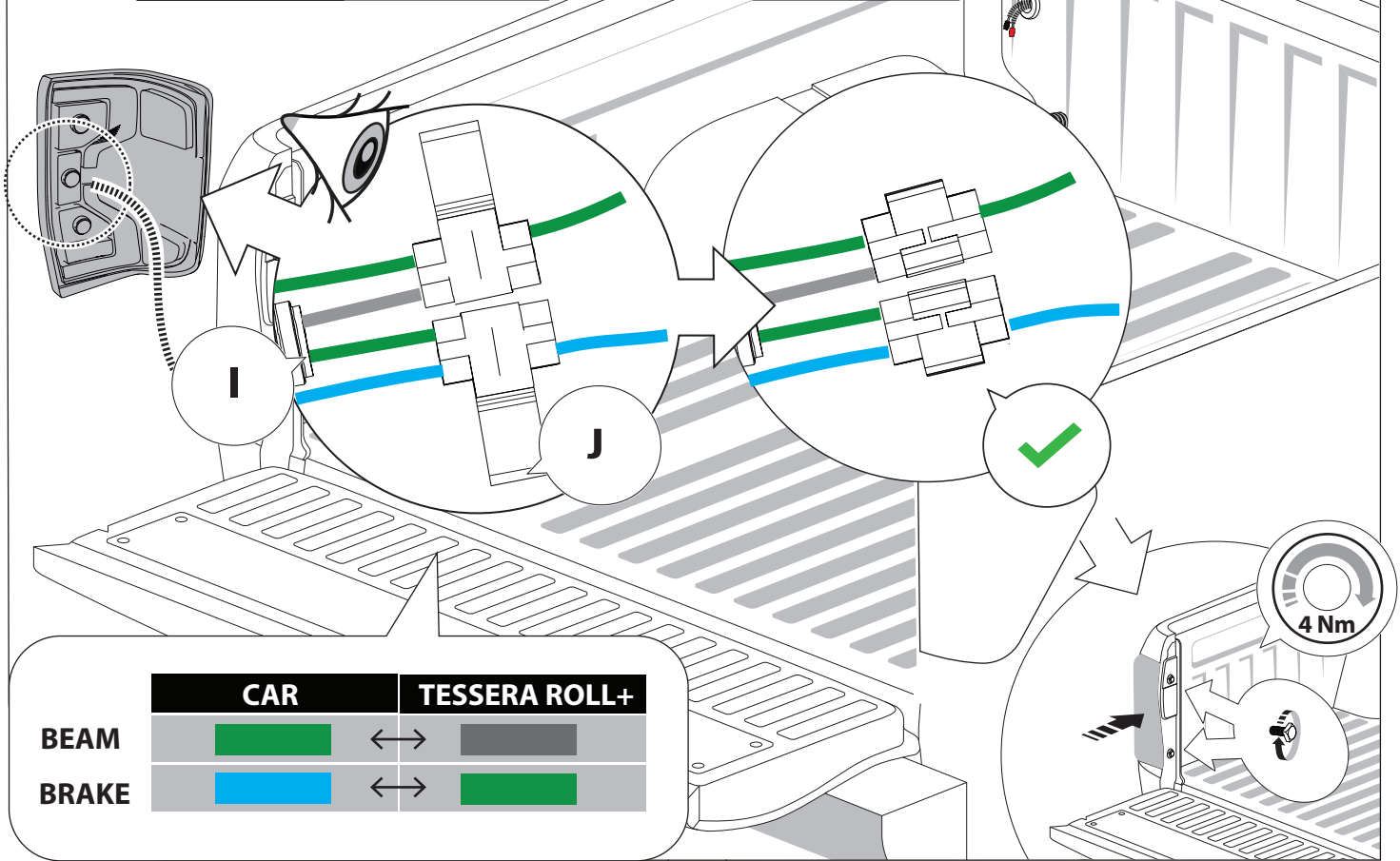
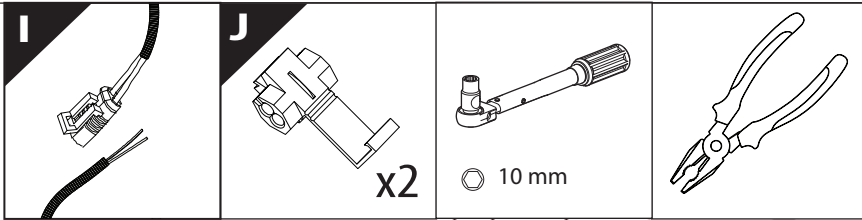


11 Only to be installed by authorized personnel



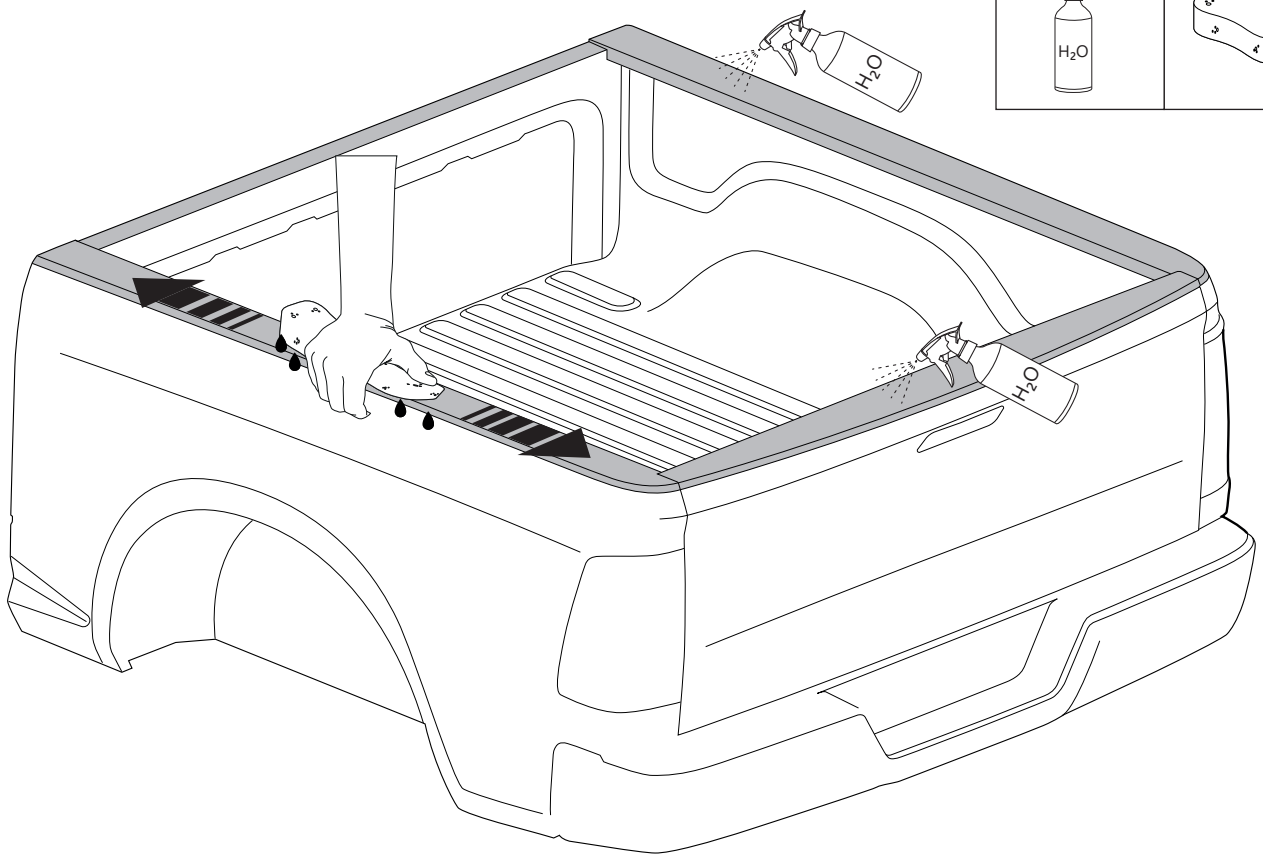
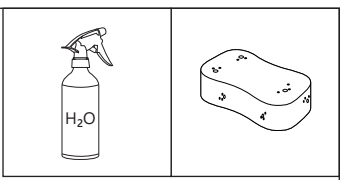


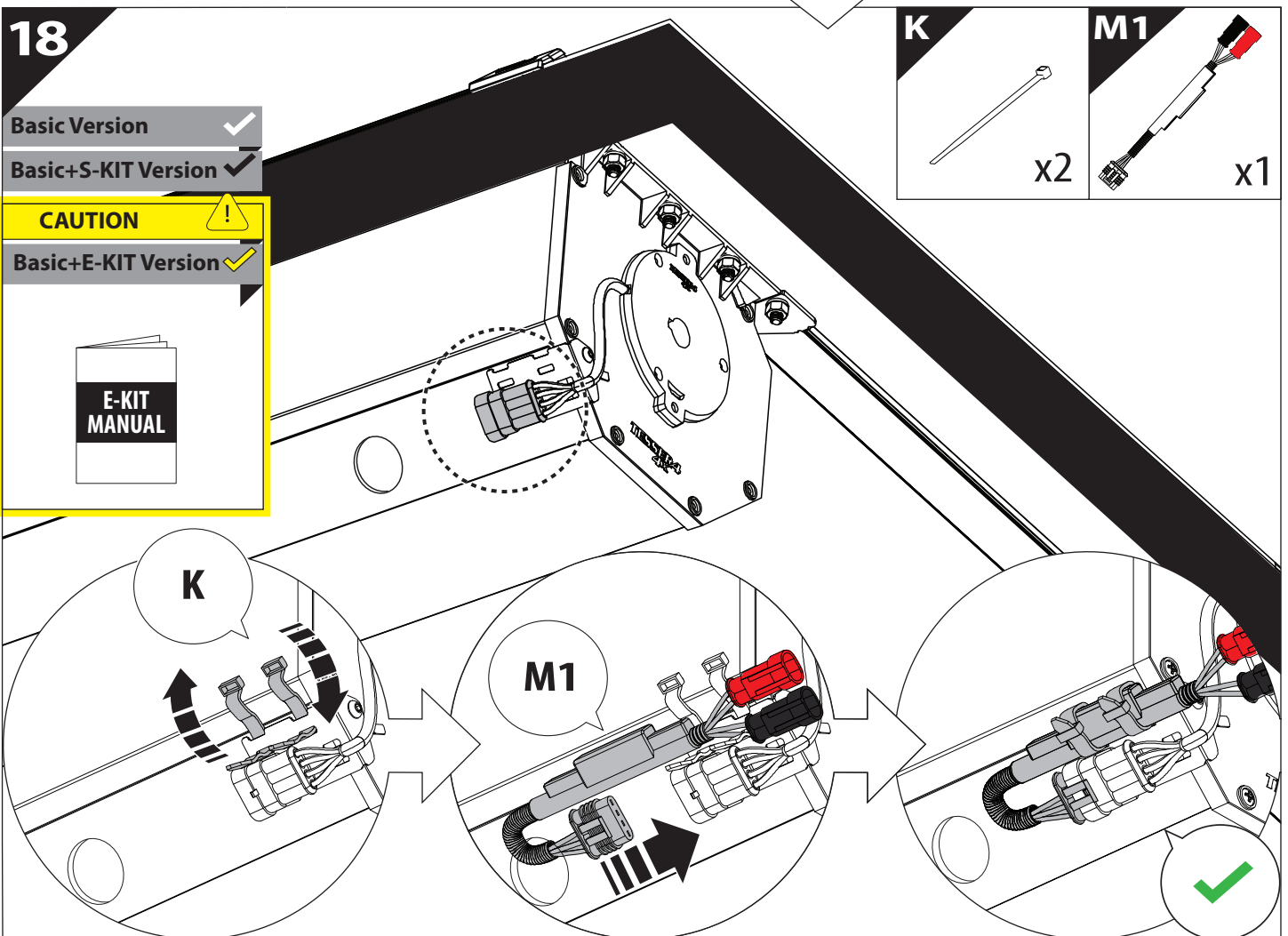
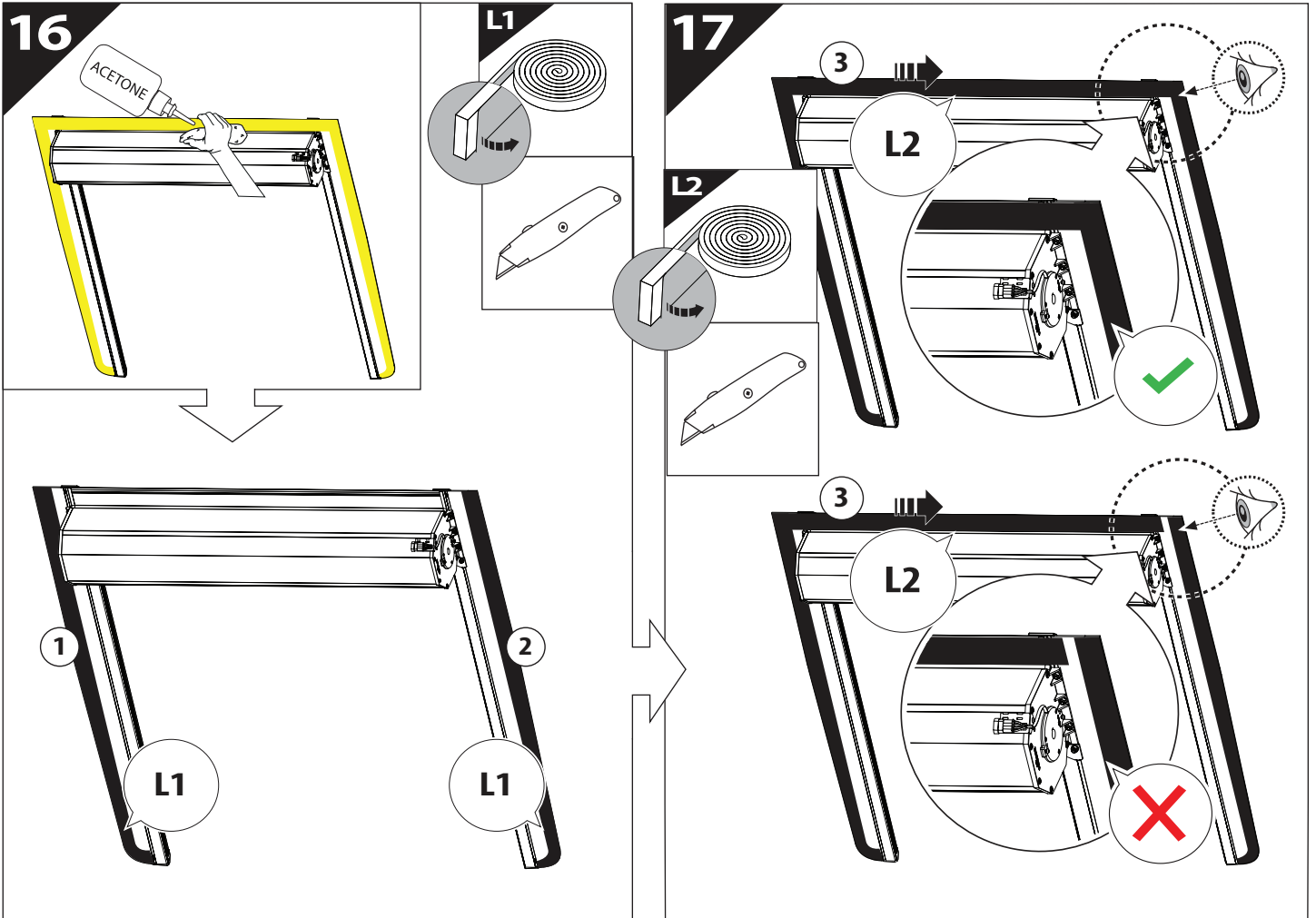
14

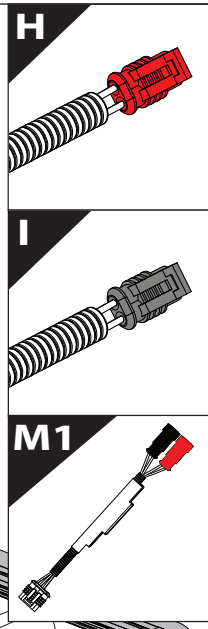
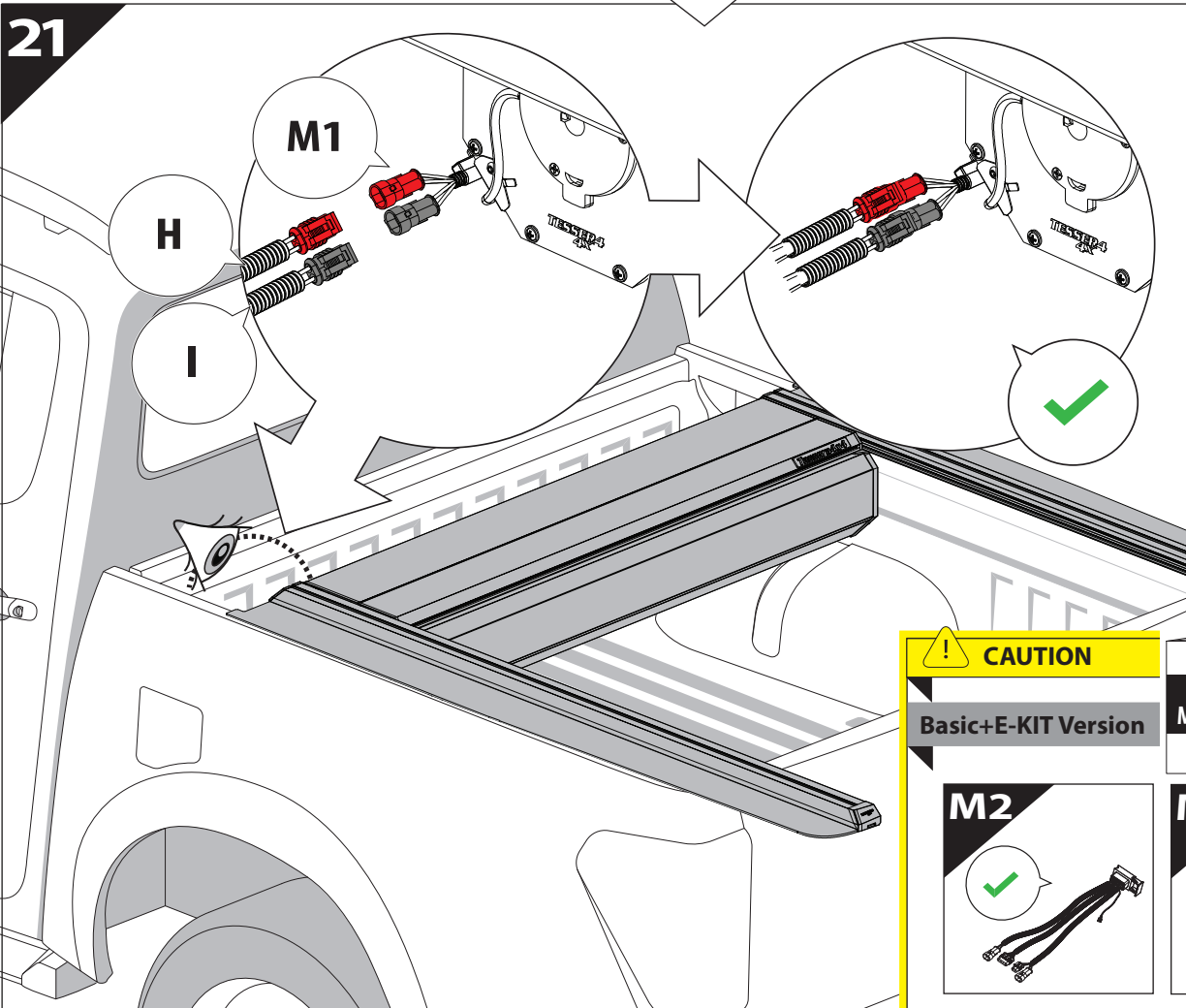
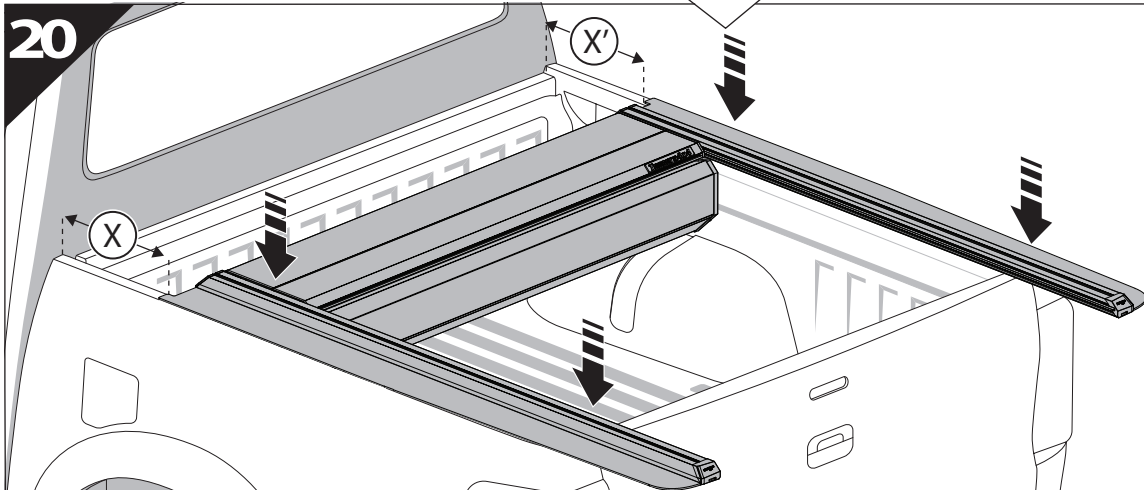
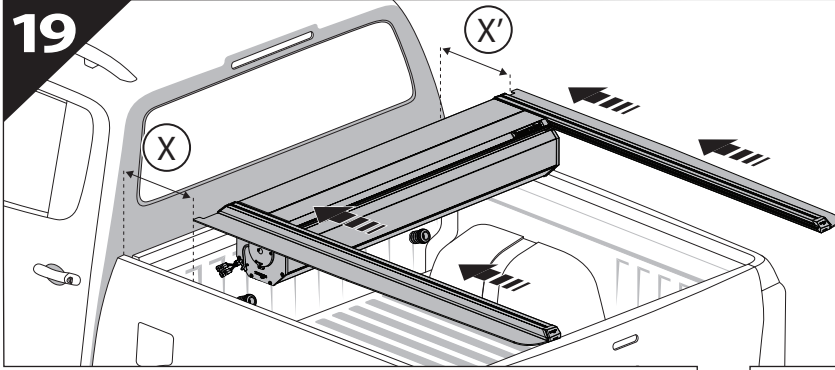


| | CAR | | TESSERA ROLL+ |
|-------|-----|---|---------------|
| BEAM | | ↔ | |
| BRAKE | | ↔ | |

15

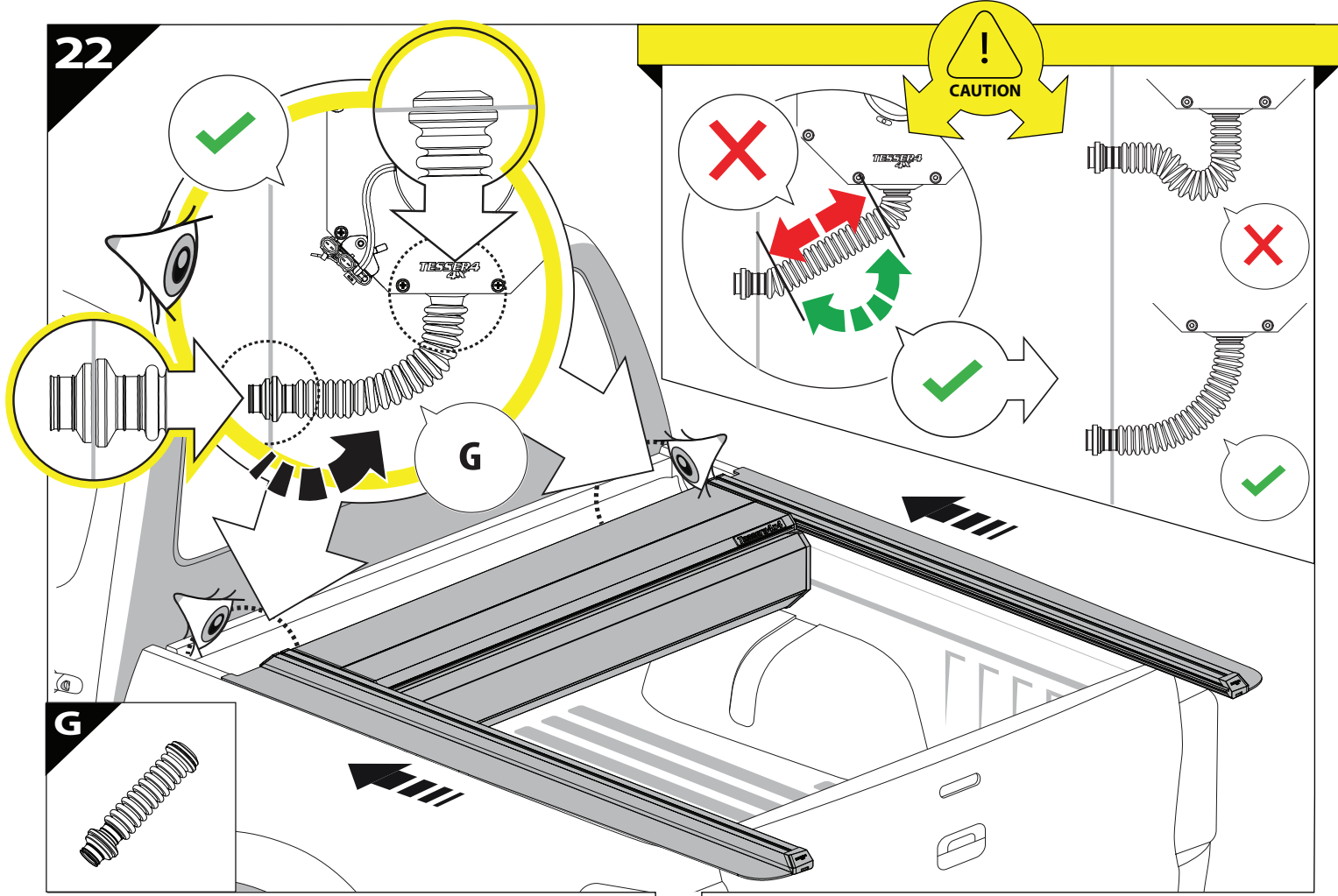




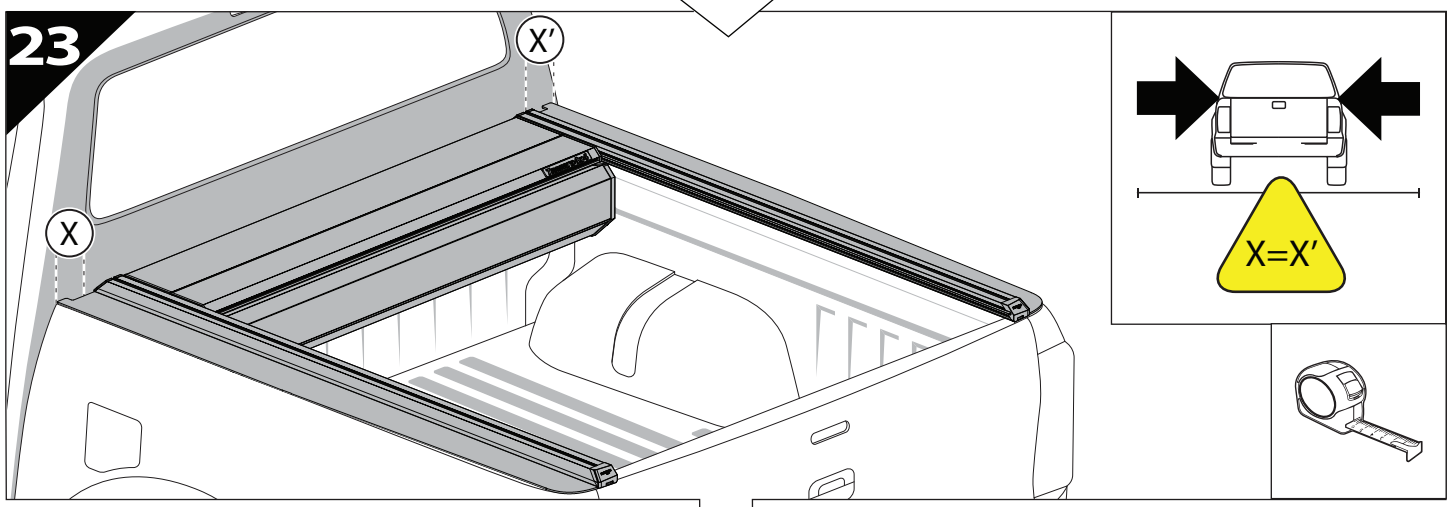


| | |
|---------------------|-------------|
| CAUTION | |
| Basic+E-KIT Version | |
| E-KIT MANUAL | |
| M2 ✓ | M1 ✗ |

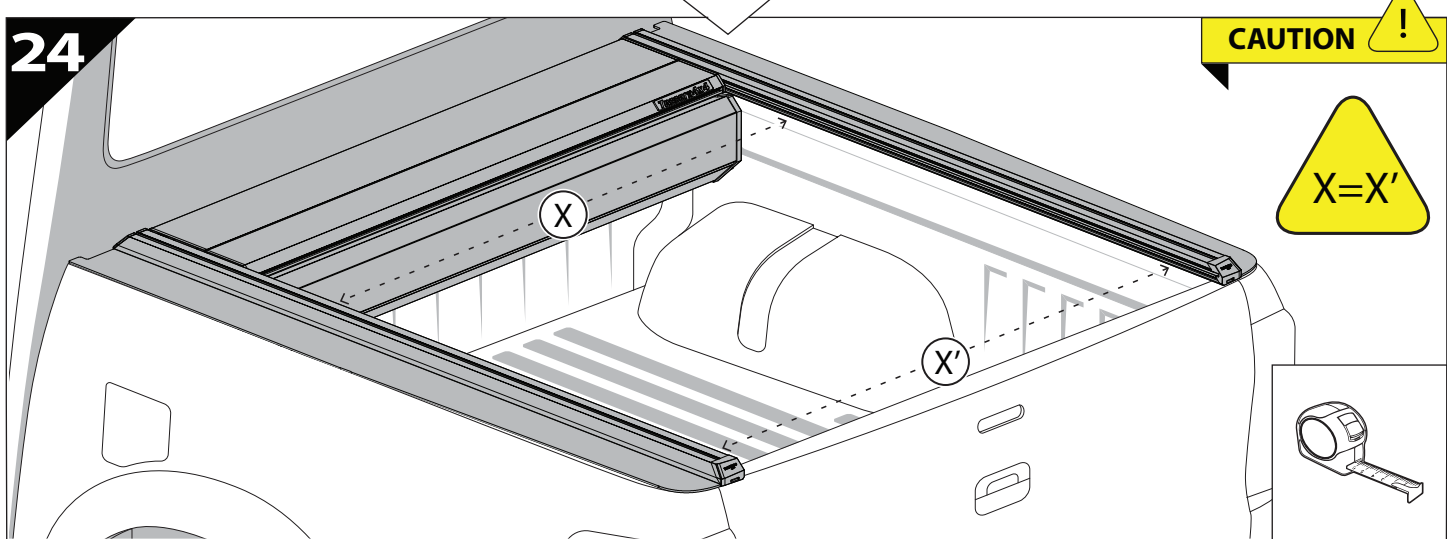
22



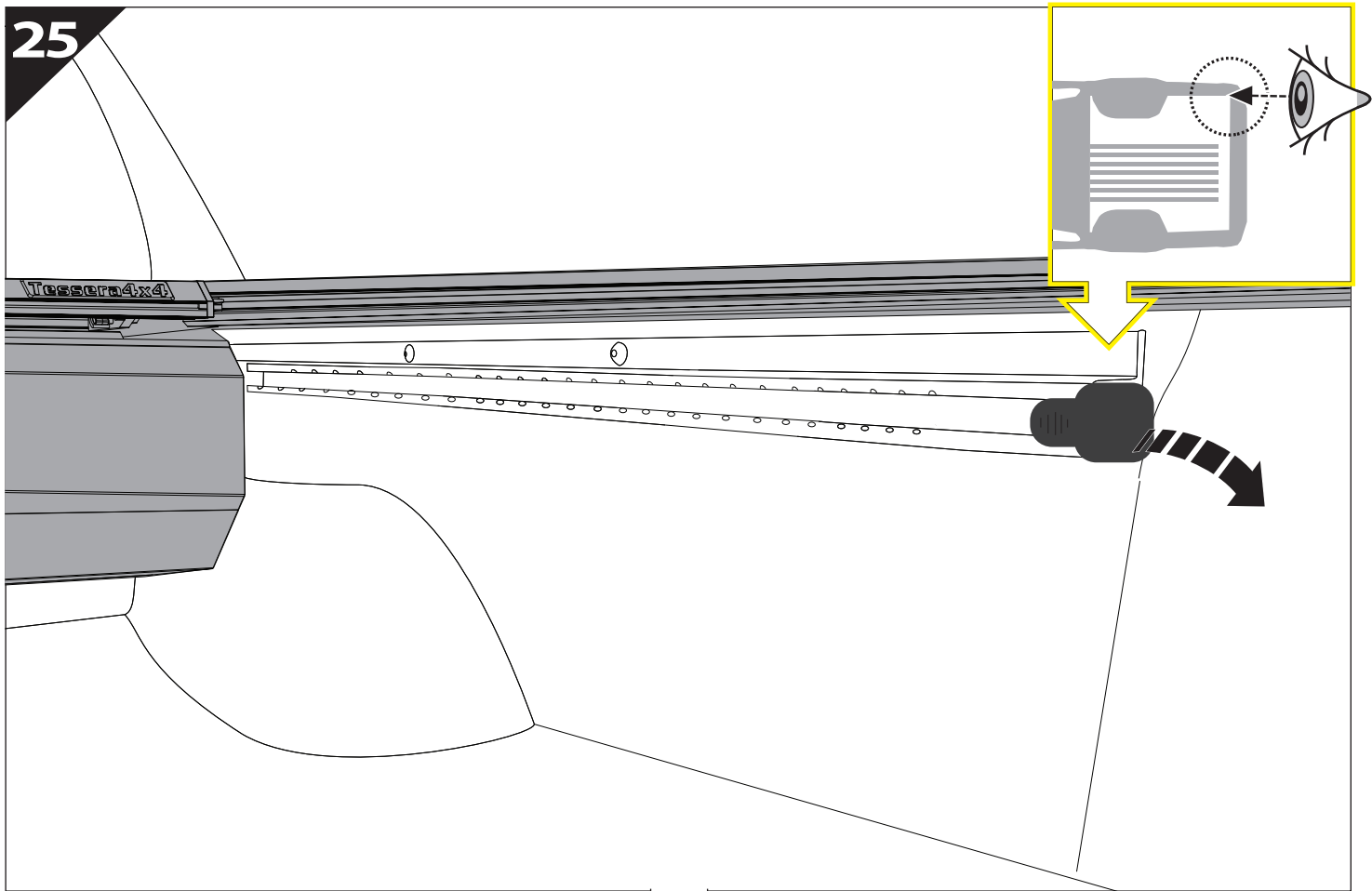
23



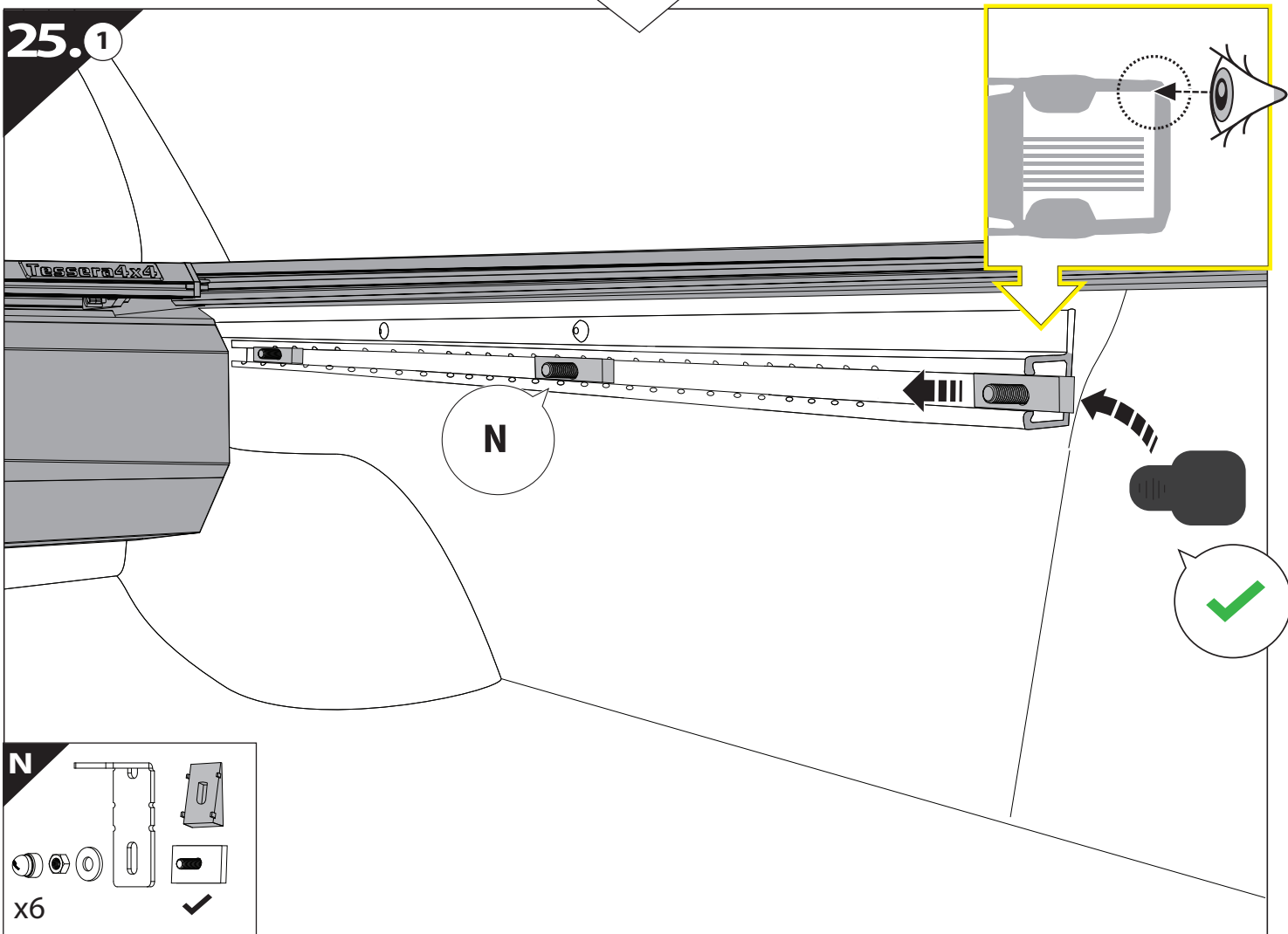
24



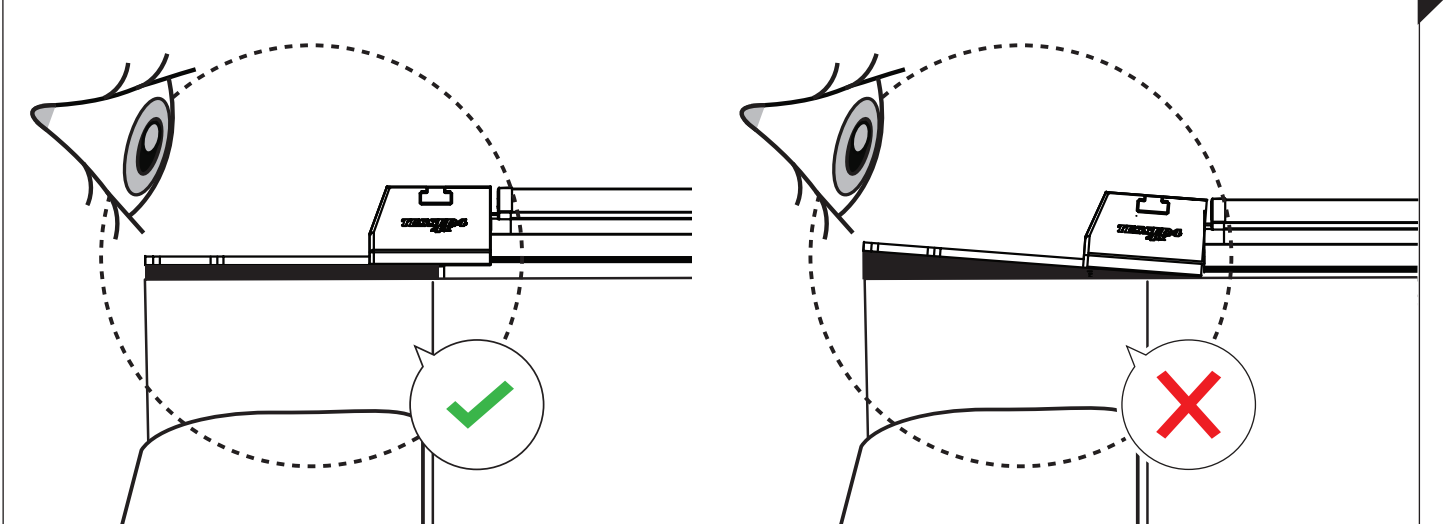
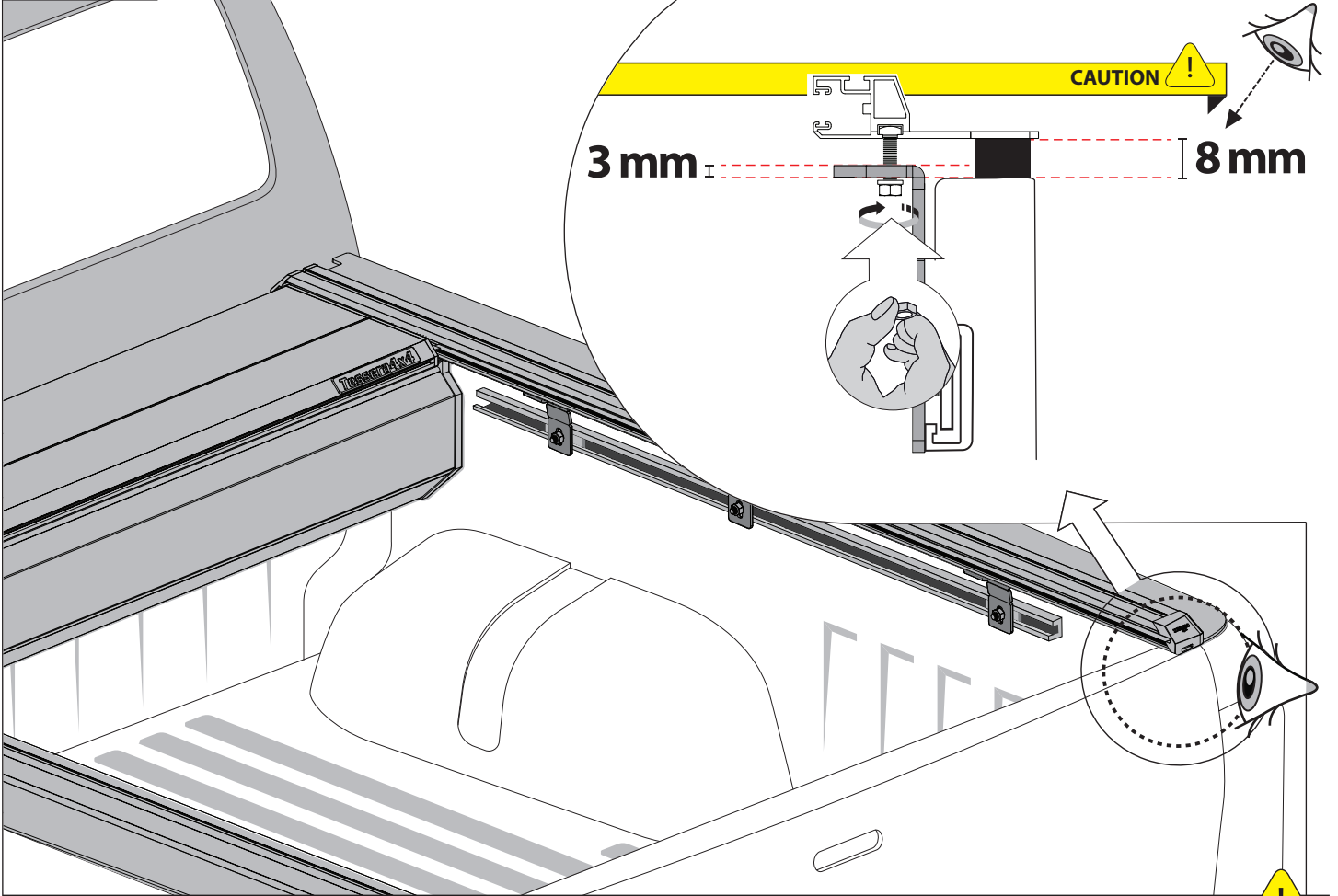
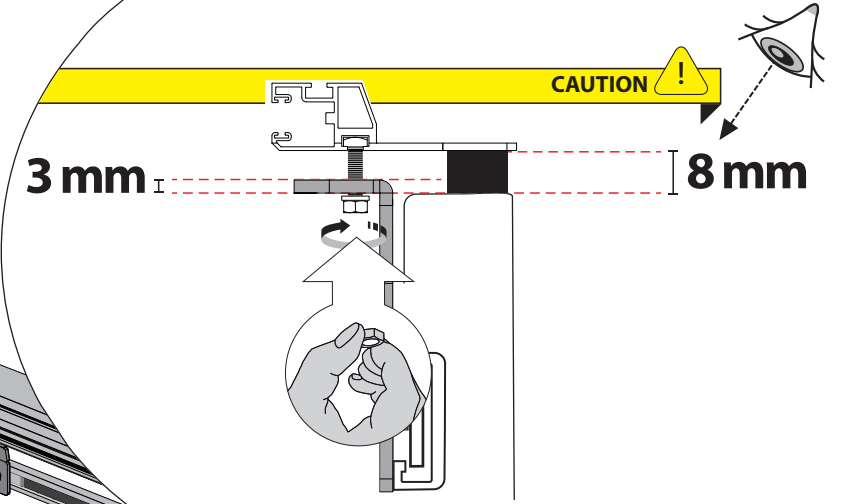
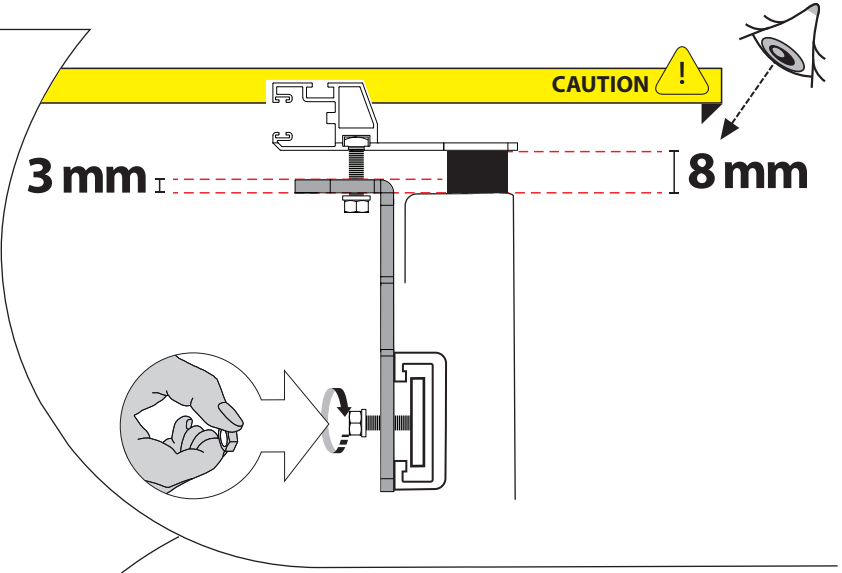
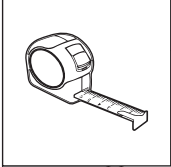
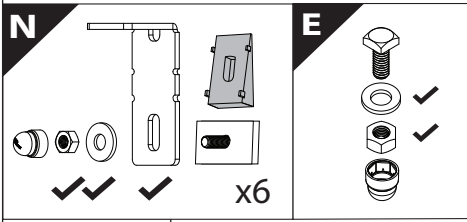
25

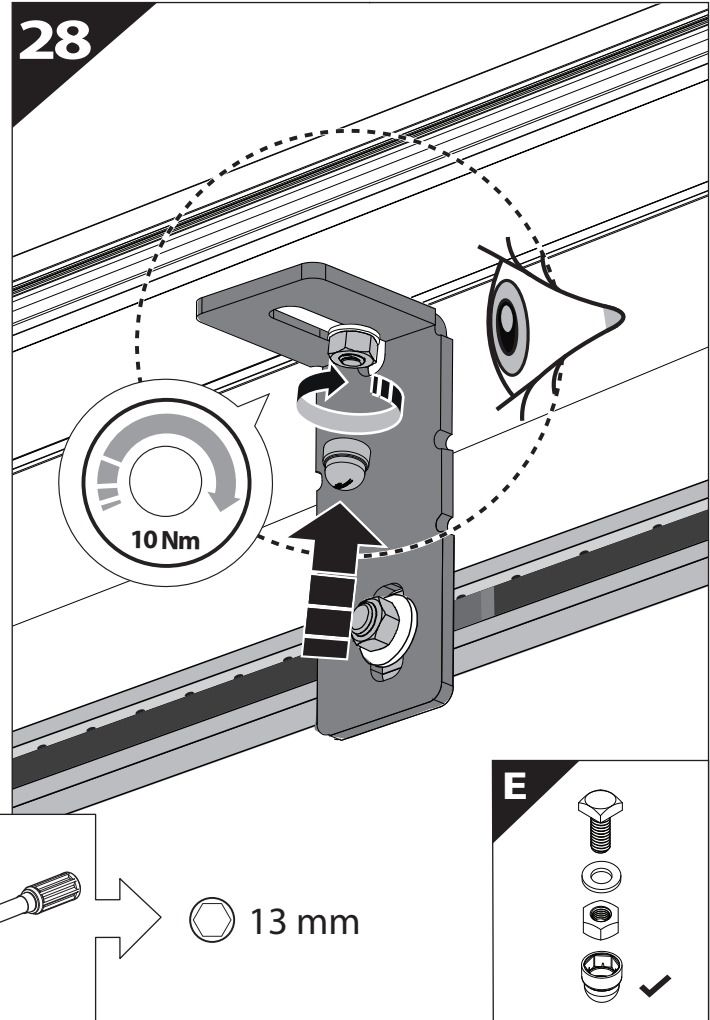
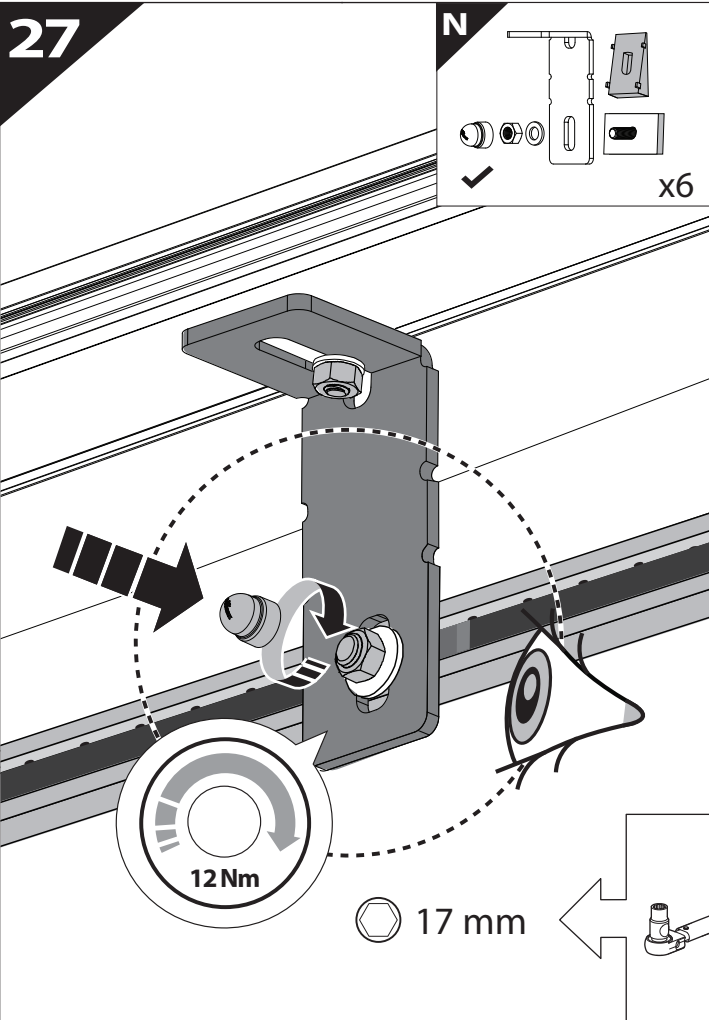


25.1

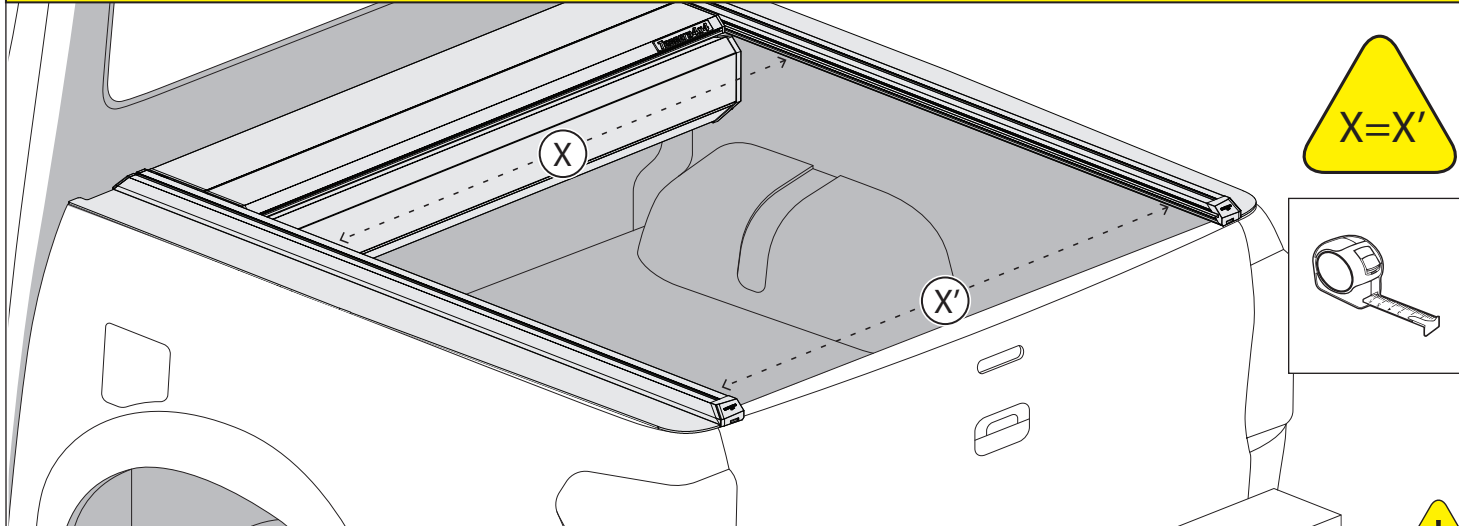


26

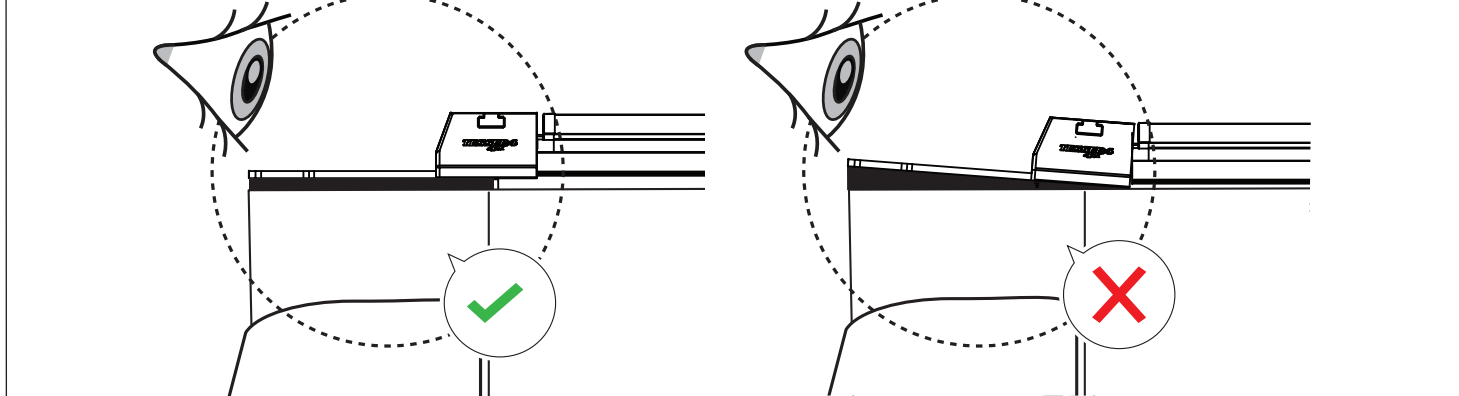


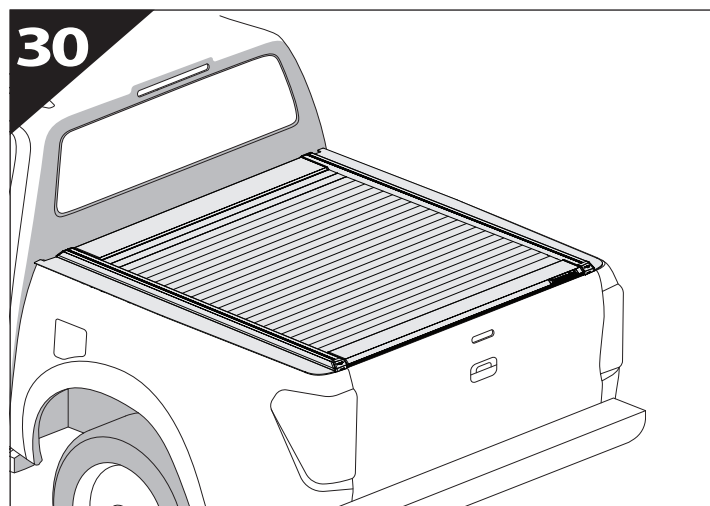
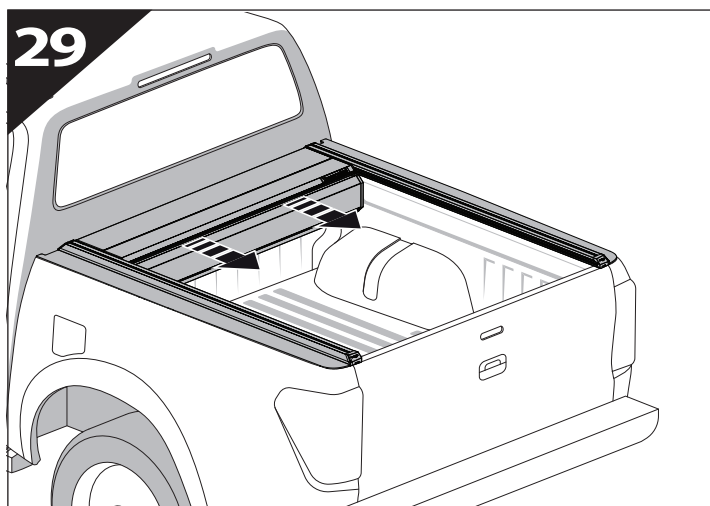


CAUTION !



CAUTION !





GR: Οδηγίες Εγκατάστασης
GB: Installation manual
SF: Asennusohje
F: Notice de montage
PL: Instrukcja montażu
NL: Installatie-instructies
TR: Montaj Talimatı
S: Monteringsanvisning
E: Instrucciones de montaje

H: Szerelési utasítás
P: Instruções de instalação
RUS: Инструкция по установке
N: Monteringsveiledning
D: Einbauanleitung
CZ: Návod k instalaci
I: Istruzioni de montaggio
DK: Monteringsvejledning
RO: Instructiuni de instalare

Customer Service:

+30 (210) 5541161, +30 (210) 5541154 (08:00 - 16:00 EET)

Support department:

info@gianso.gr

Website:

www.tessera4x4.com

Address:

19.5 km of National road Athens-Korinthos (Elefsina) Greece, P.C: 19200