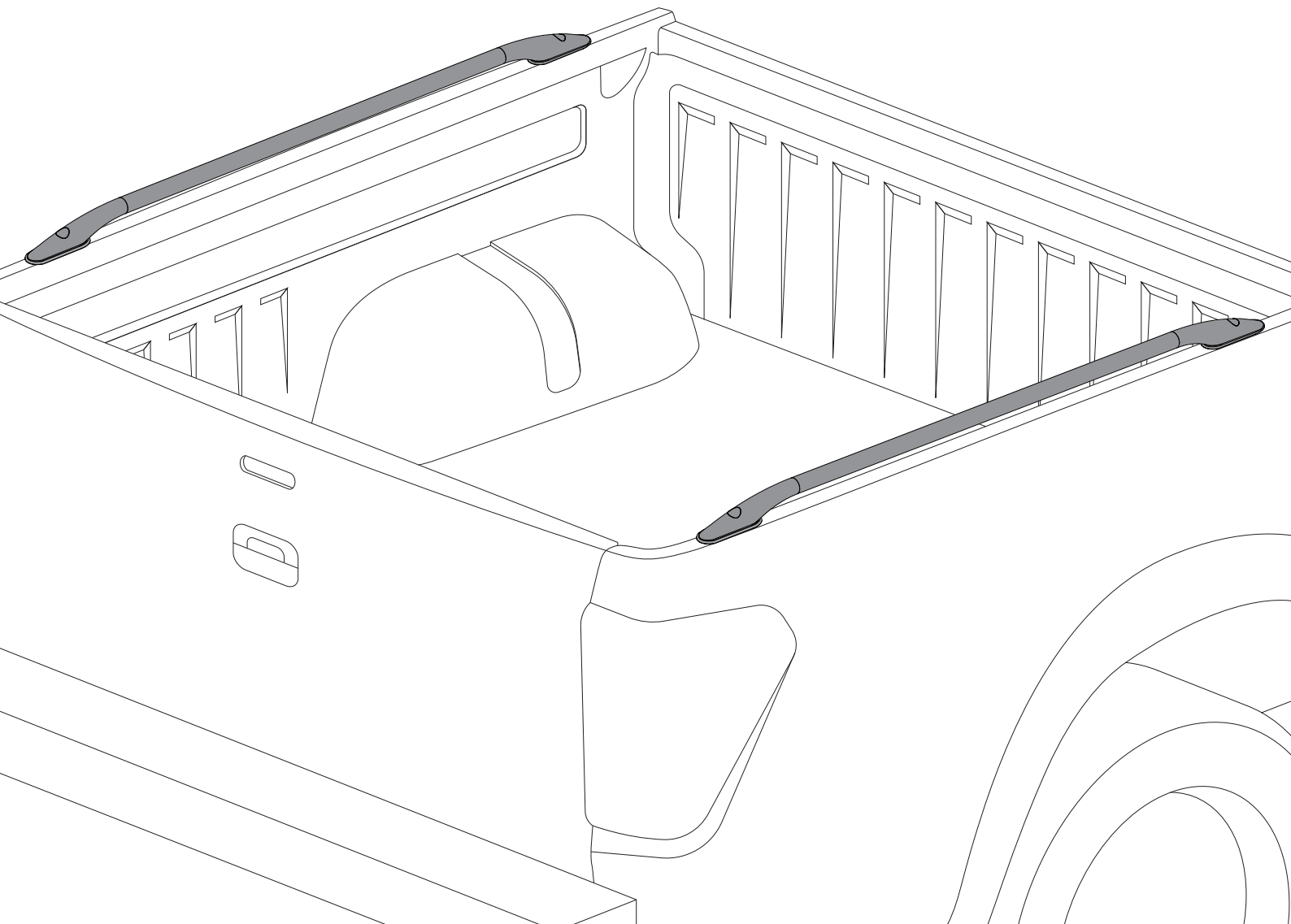


Stainless Steel side handrails Installation Manual



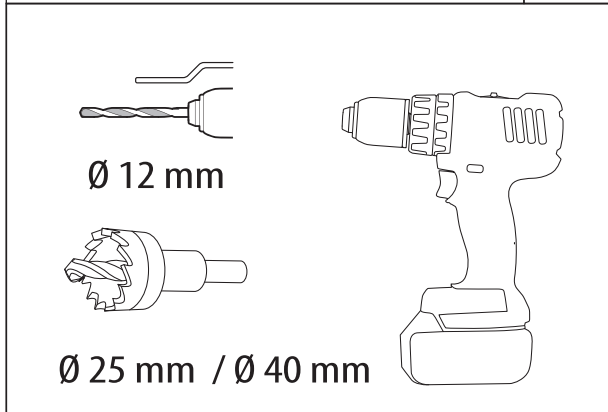
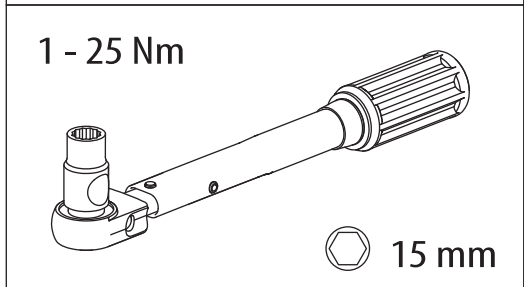
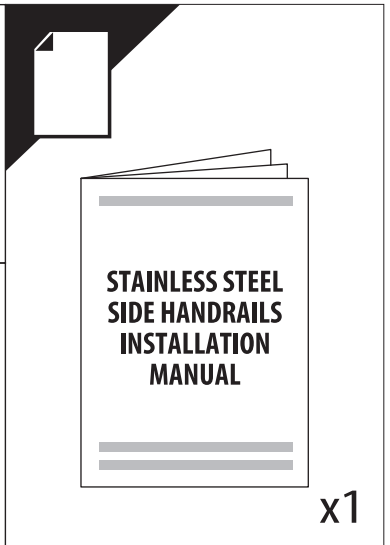
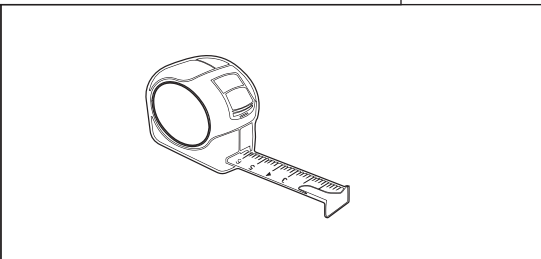
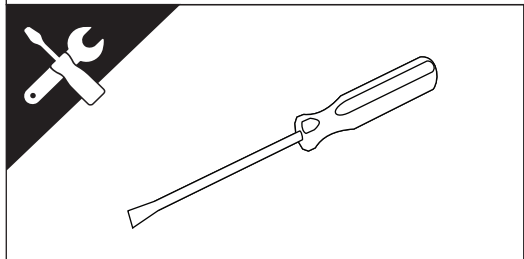
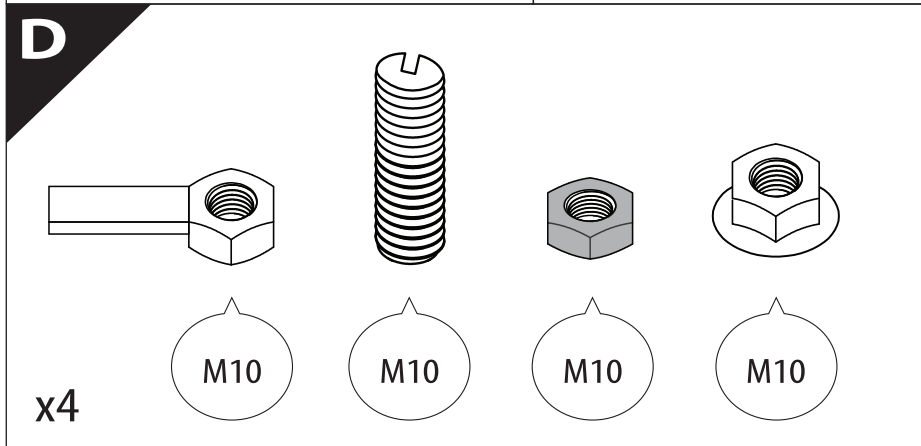
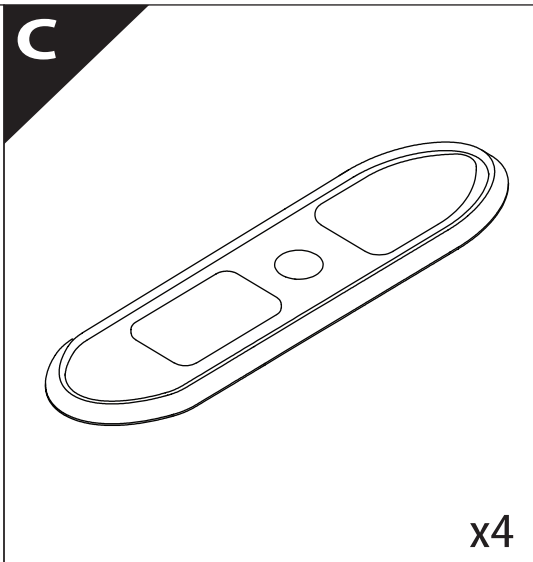
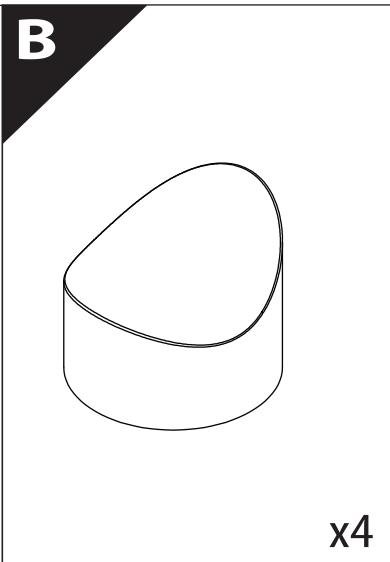
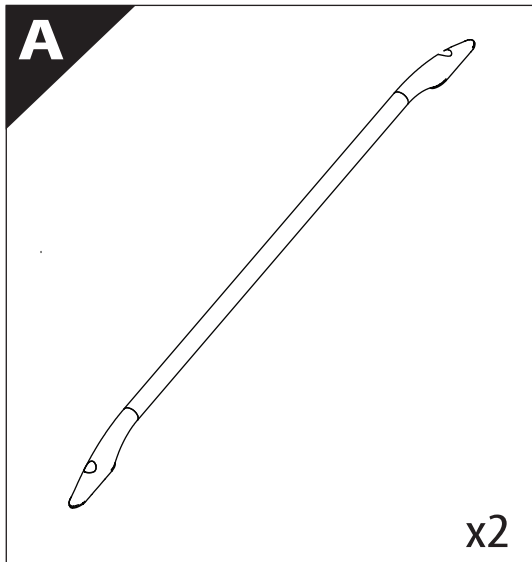
PART NUMBERS

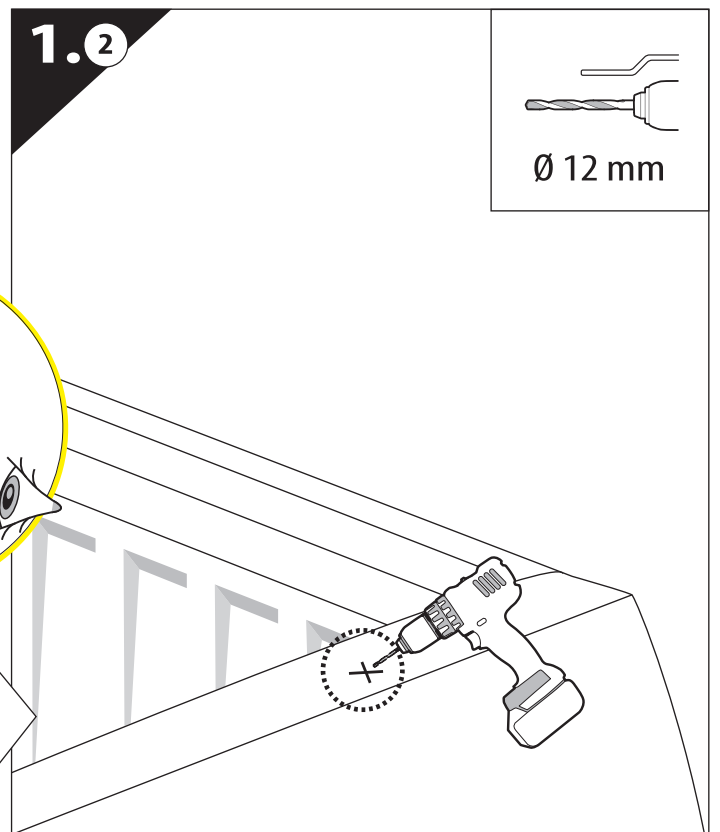
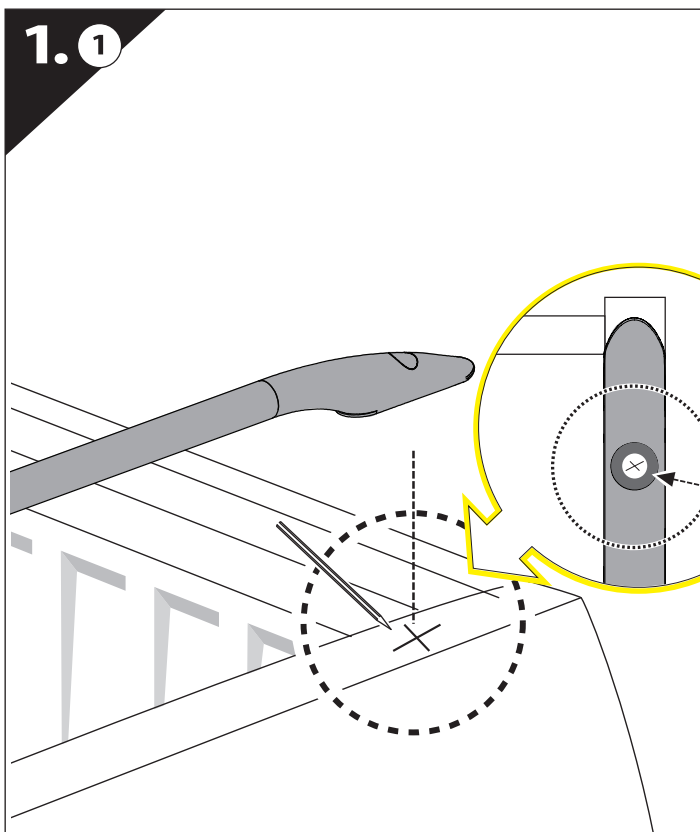
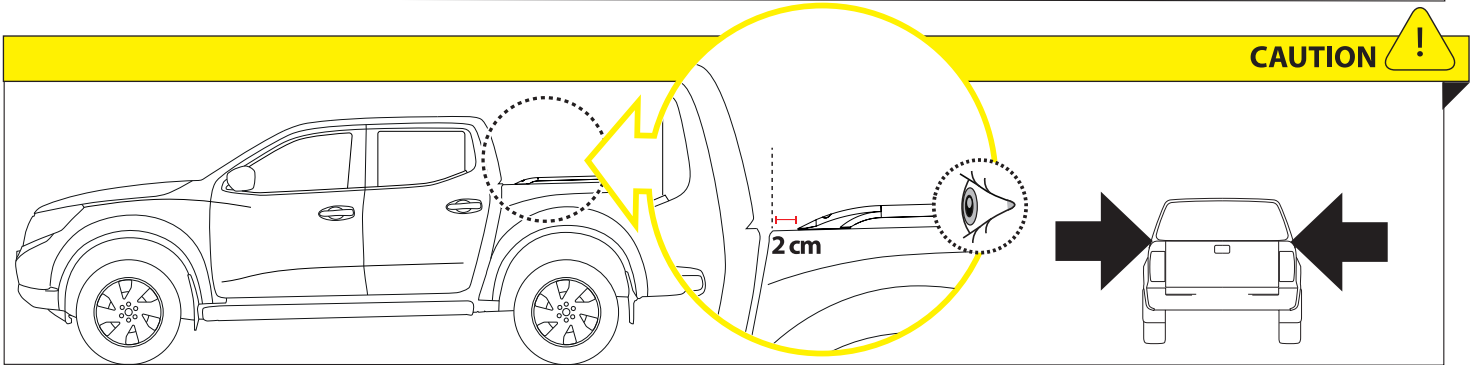
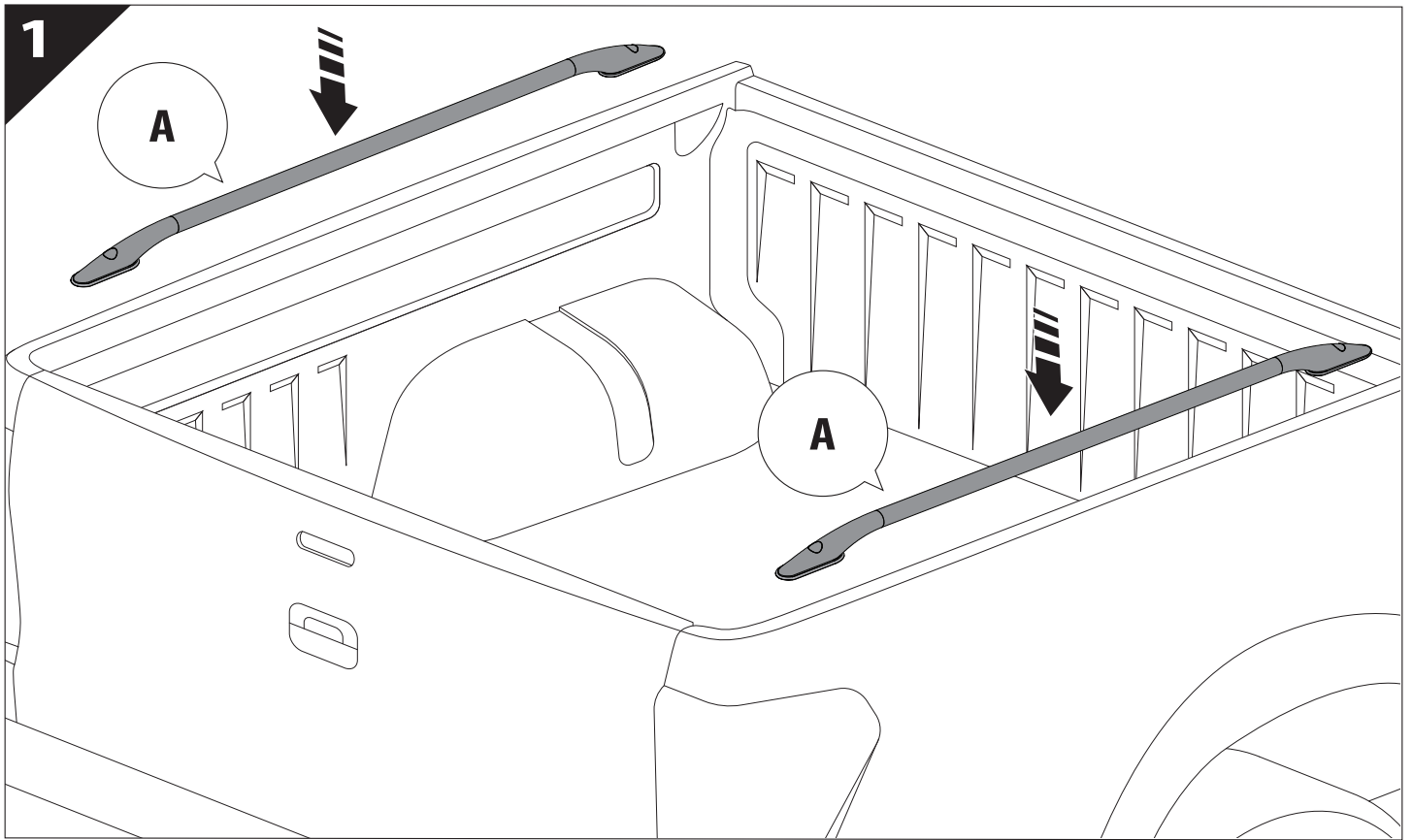
KOY 80 SPORT INOX / BLACK INOX

KOY 105 SPORT INOX / BLACK INOX

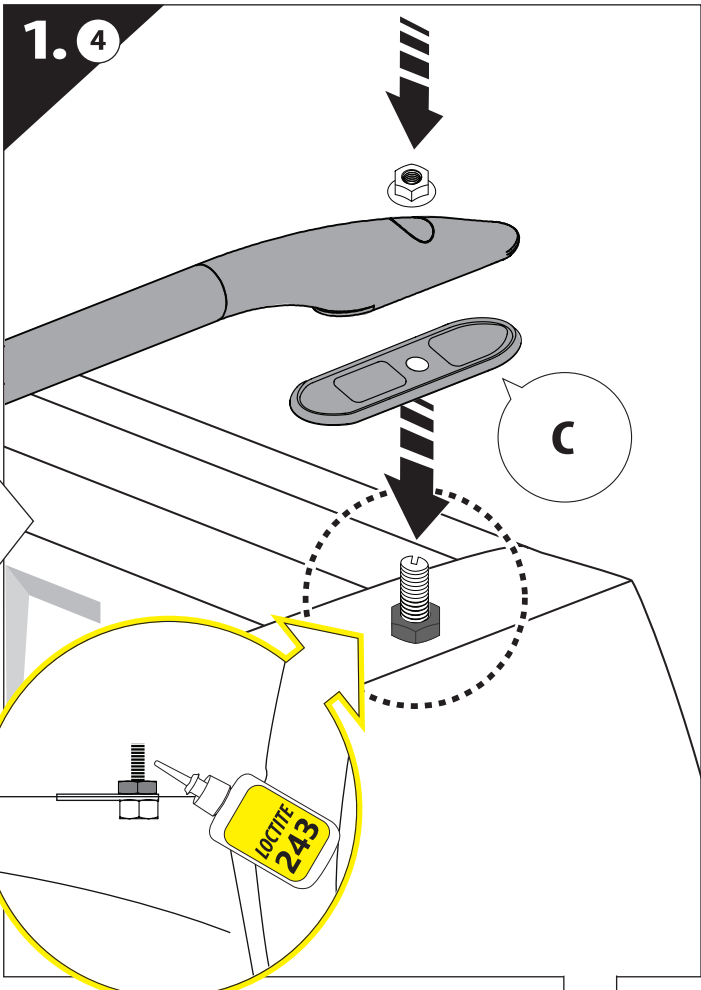
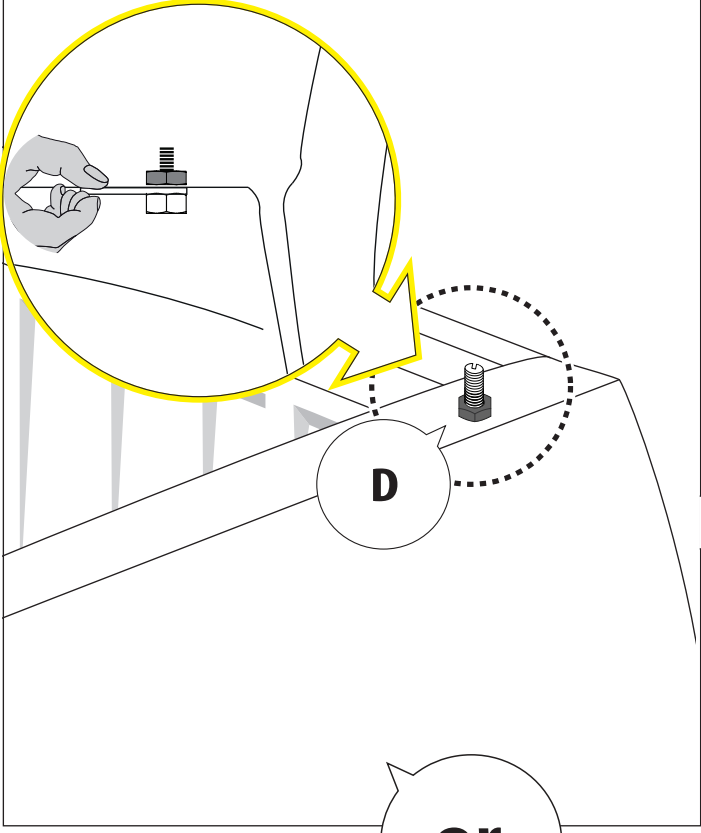
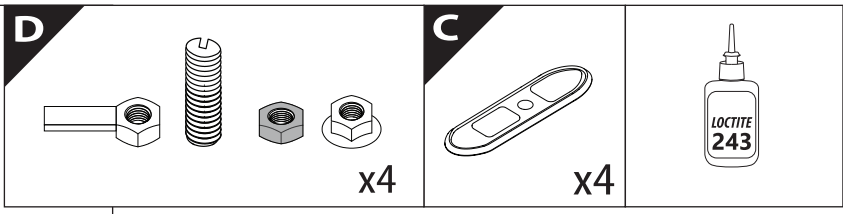
KOY 150 SPORT INOX / BLACK INOX

KOY 200 SPORT INOX / BLACK INOX

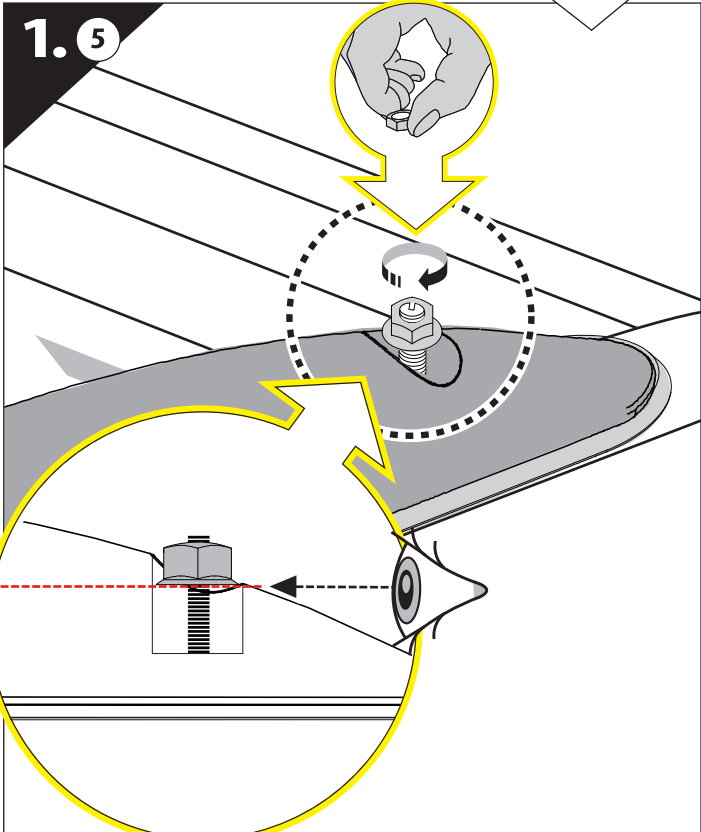
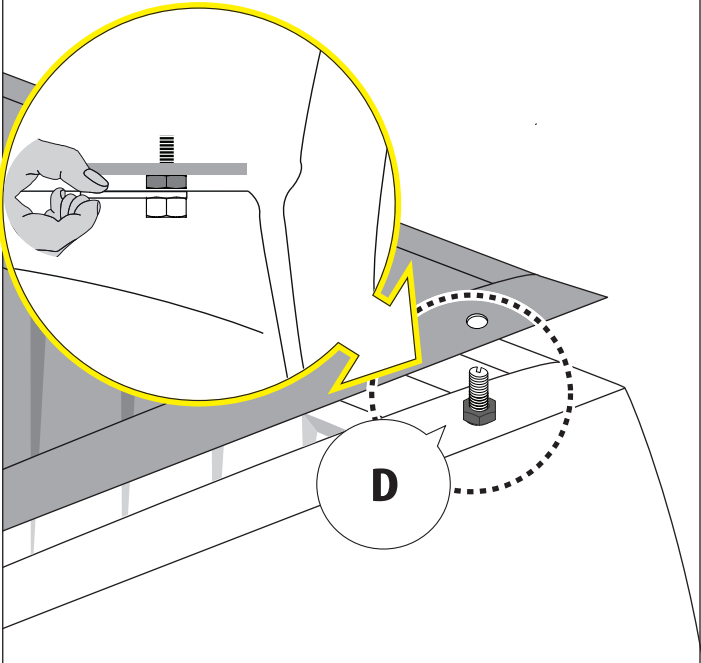
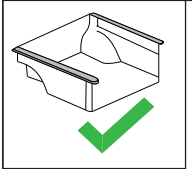




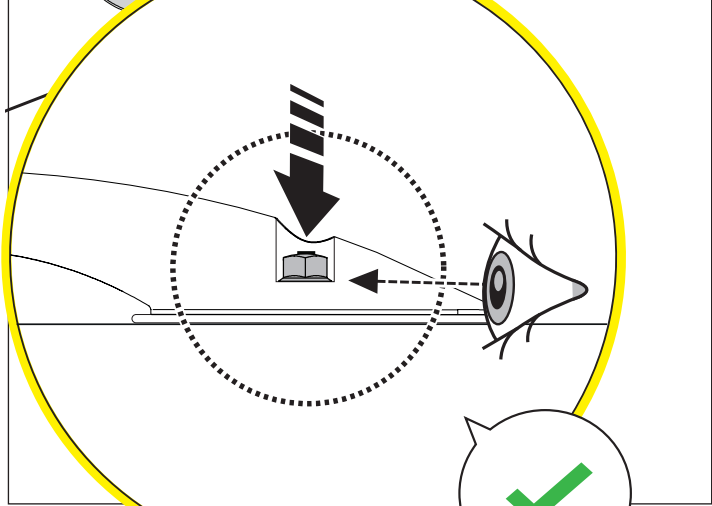
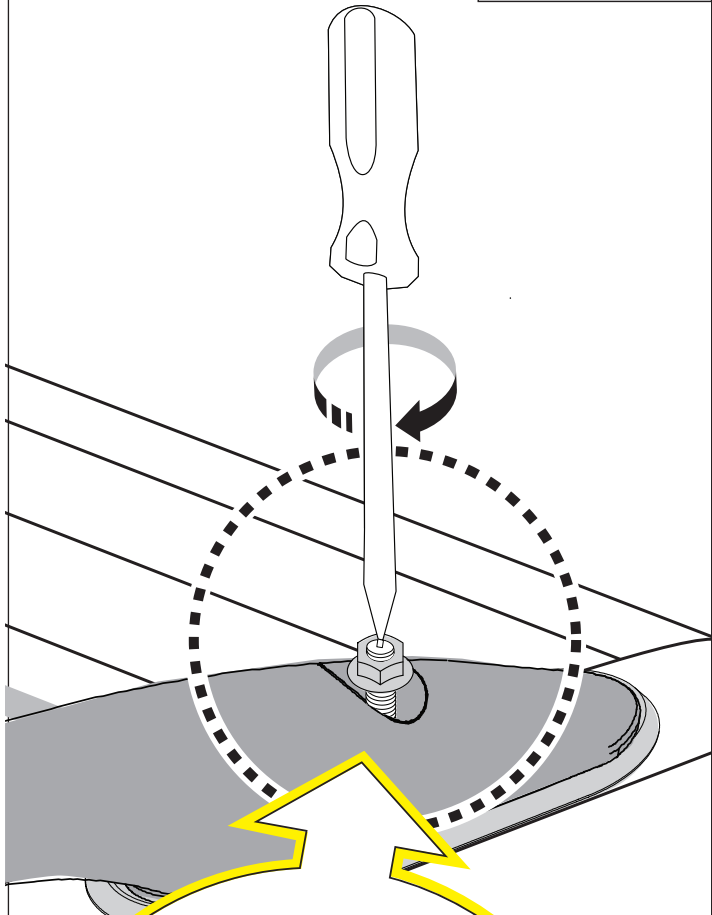
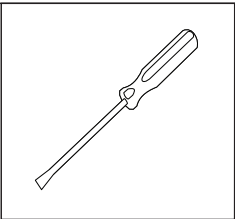
1.3



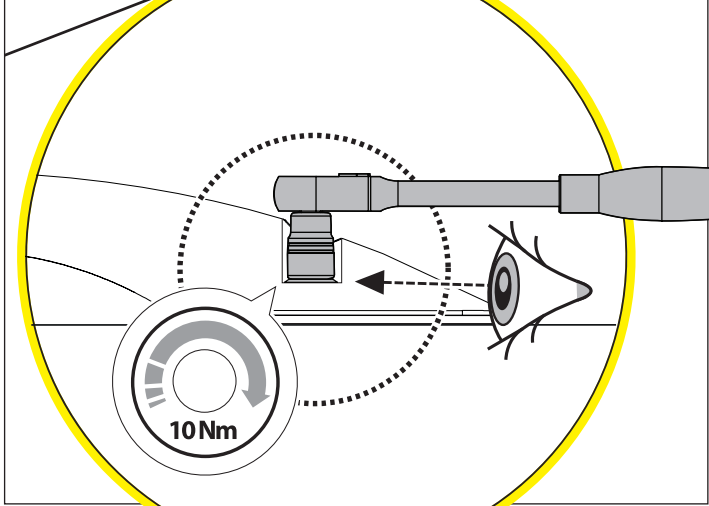
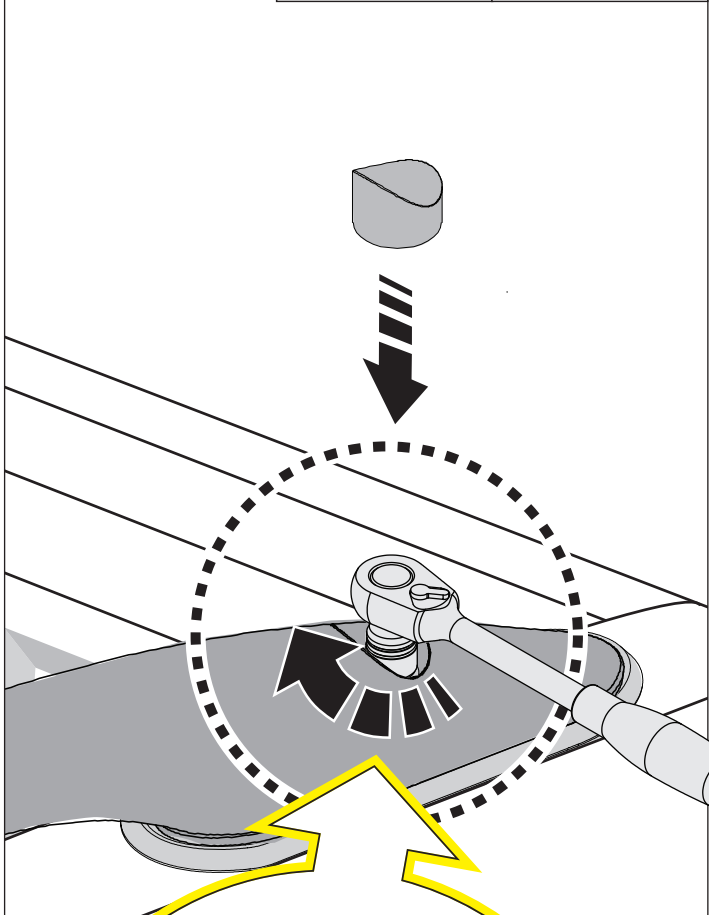
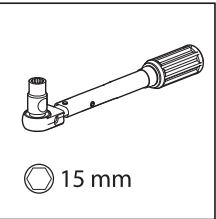
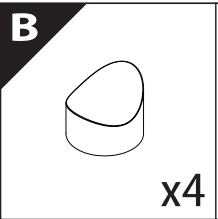
or



2.0



2.2





GR: Οδηγίες Εγκατάστασης
GB: Installation manual
SF: Asennusohje
F: Notice de montage
PL: Instrukcja montażu
NL: Installatie-instructies
TR: Montaj Talimatı
S: Monteringsanvisning
E: Instrucciones de montaje

H: Szerelési utasítás
P: Instruções de instalação
RUS: Инструкция по установке
N: Monteringsveiledning
D: Einbauanleitung
CZ: Návod k instalaci
I: Istruzioni de montaggio
DK: Monteringsvejledning
RO: Instructiuni de instalare

Customer Service:

+30 (210) 5541161, +30 (210) 5541154 (08:00 - 16:00 EET)

Support department:

info@gianso.gr

Website:

www.tessera4x4.com

Address:

19.5 km of National road Athens-Korinthos (Elefsina) Greece, P.C: 19200